

SR30 Bike LF Sport Recumbent Plug-In

LCSR30-0000-01

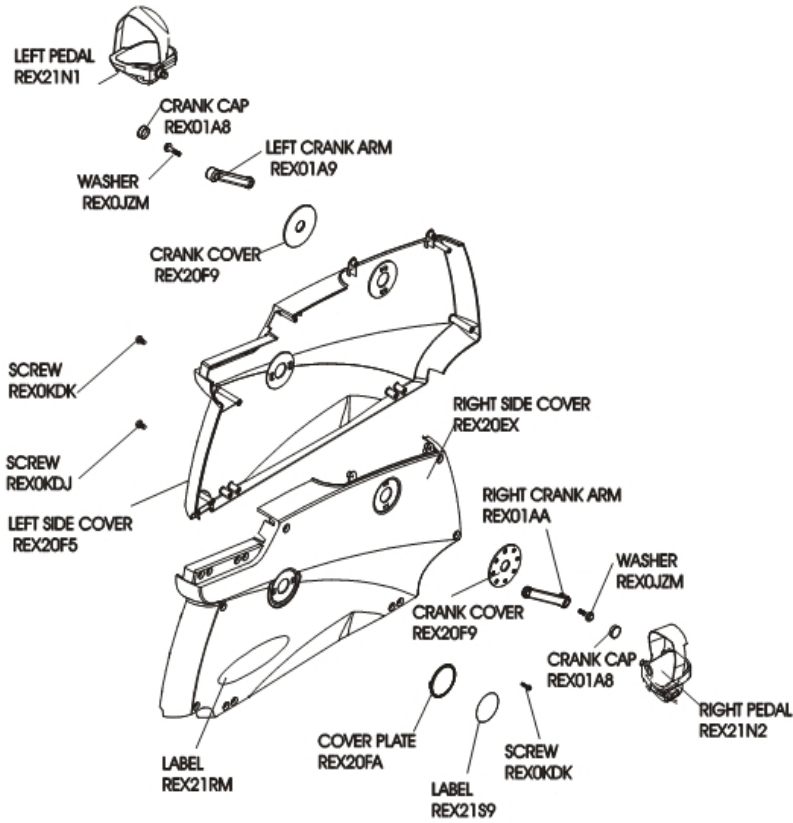
Parts Manual

1/5/2019 15:02:45 PM

Table of Contents

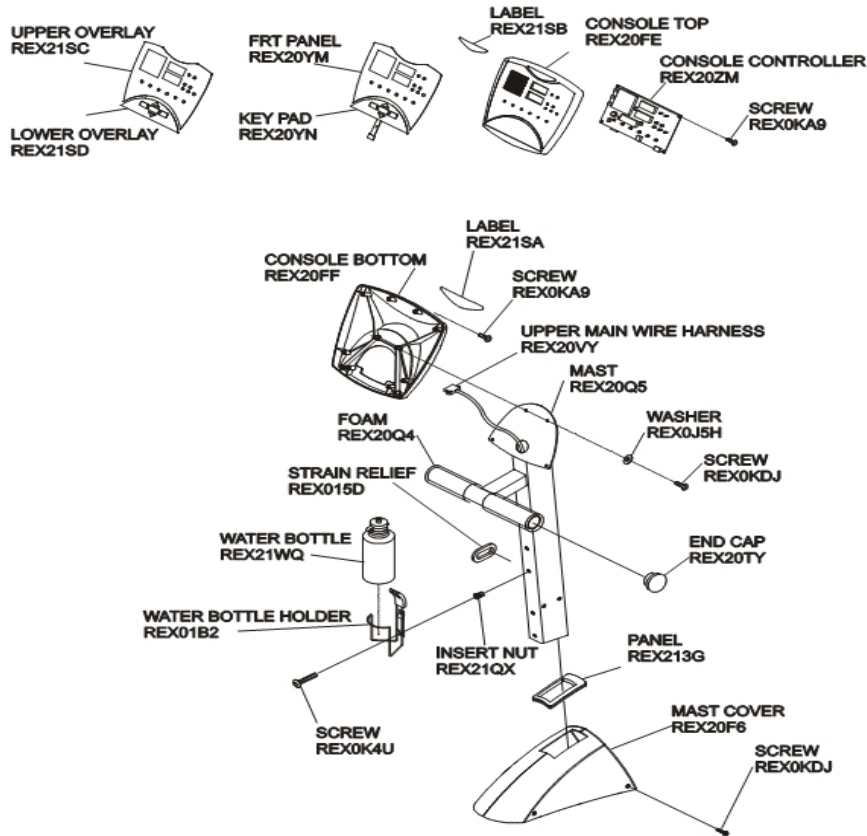
[Component Assembly 1](#).....3
[Component Assembly 2](#).....4
[Component Assembly 3](#).....5
[Component Assembly 4](#).....7
[Component Assembly 5](#).....8
[Component Assembly 6](#).....9

Component Assembly 1



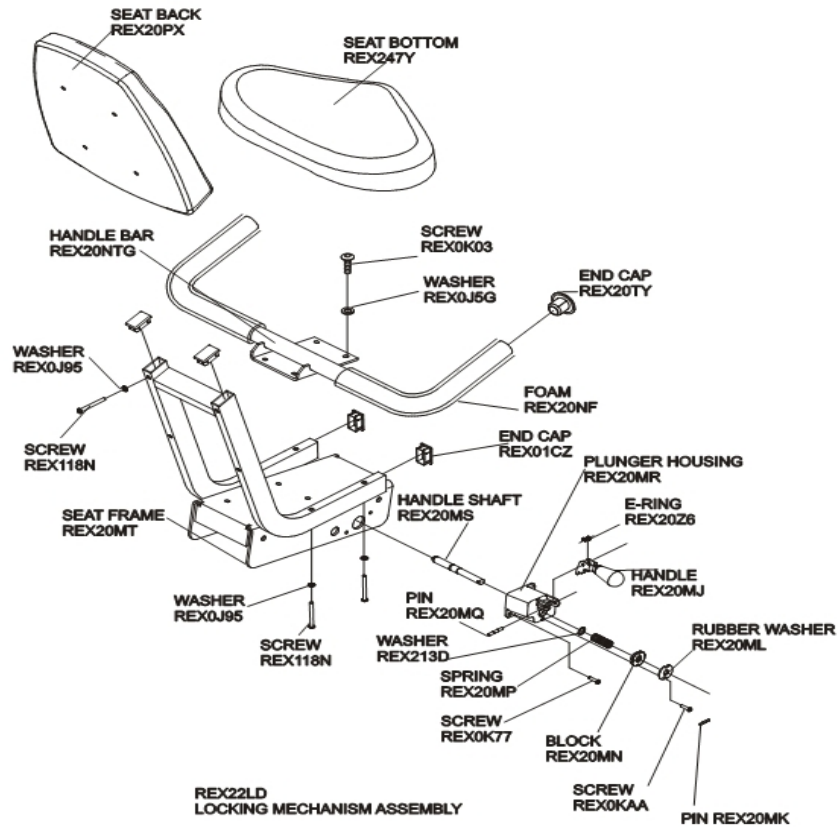
Ref #	Part Number	Qty	Description
-	REX21RM	2	Trade-Mark Label (On Shroud)
-	REX3GJ3	1	CRANK, L
-	REX20F9	2	Cover, Crank
-	REX0KDJ	1	Hardware: Screw, PHI 5MM*.8 X 12MM
-	REX21N1	1	Left Pedal - R1-5
-	REX0JZM	2	Hardware: 8-18 Screw, HEX Washer Type 25
-	REX0KDK	2	CR. RE. Pan HD. Screw
-	REX01A8	2	Plastic Cap. Crank
-	REX21N2	1	Right Pedal - R1-5
-	REX20F5	1	Side Cover (Left)
-	REX20EX	1	Side Cover (Right)
-	REX20FA	1	COVER PLATE
-	REX21S9	1	MODEL LABEL
-	REX3GJ4	1	CRANK, R

Component Assembly 2



Ref #	Part Number	Qty	Description
-	REX20FE	1	Top Console Panel
-	REX21WQ	1	Water Bottle
-	REX20F6	1	Console Mast Cover/Casing
-	REX21SA	1	LF Sport Logo On Top Console
-	REX20YN	1	Key Pad Overlay
-	REX015D	1	Grommet, Upright Oval
-	REX0KDJ	5	Hardware: Screw, PHI 5MM*.8 X 12MM
-	REX20FF	1	Bottom Console Panel
-	REX21QX	1	Inserts-Nut
-	REX0J5H	1	Hardware: Washer, 6MM ID X 12MM OD
-	REX0K4U	1	CR.-RE. TRUSS HD. SCREW
-	REX20VY	1	Harness, Console Mast
-	REX20ZM	1	Console Controller Circuit Boa
-	REX01B2	1	Water Bottle Holder
-	REX20Q5	1	CONSOLE MAST ASSY
-	REX20YM	1	Front Panel Overlay
-	REX213G	1	CLEAR PANEL
-	REX0KA9	2	Screw, Board MTG M3*24-6
-	REX20TY	2	End Cap
-	REX20Q4	1	Foam Grip
-	REX21SB	1	Trade-Mark Label

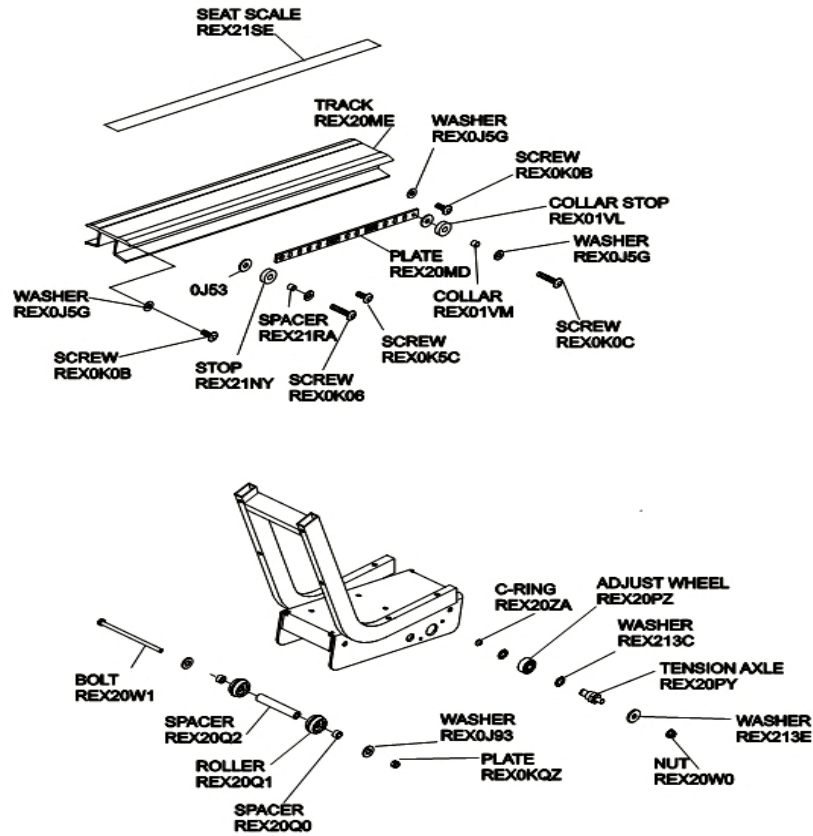
Component Assembly 3



Ref #	Part Number	Qty	Description
-	REX20MK	1	Location Pin
-	REX20MJ	1	Plunger Handle
-	REX213D	1	Flat Washer
-	REX20MT	1	SEAT FRAME ASSY
-	REX20MS	1	Handle Shaft
-	REX0K03	4	Hardware: Screw, BSH
-	REX2AE8	1	Seat Pad
-	REX20PX	1	Seat Back R1-5 And R1
-	REX01CZ	4	Cap, End
-	REX20Z6	1	E-Ring
-	REX20ML	1	Rubber Washer
-	REX20NF	1	FOAM
-	REX0KAA	1	CR.RE. PAN HD. Tapping Screw
-	REX20MP	1	Compression Spring
-	REX20TY	2	End Cap
-	REX20MR	1	Plunger Housing
-	REX3GYD	1	RS1 SEAT LOCKING HANDLE
-	REX20MQ	1	Pin-Pivot
-	REX20MN	1	Anchor Block
-	REX0K77	1	Hardware: CR.-RE. TRUSS HD. Screw
-	REX0J95	8	Hardware: Washer, Spring
-	REX0J5G	4	Hardware: Washer, 8MM ID X 18MM OD X 1.5MM

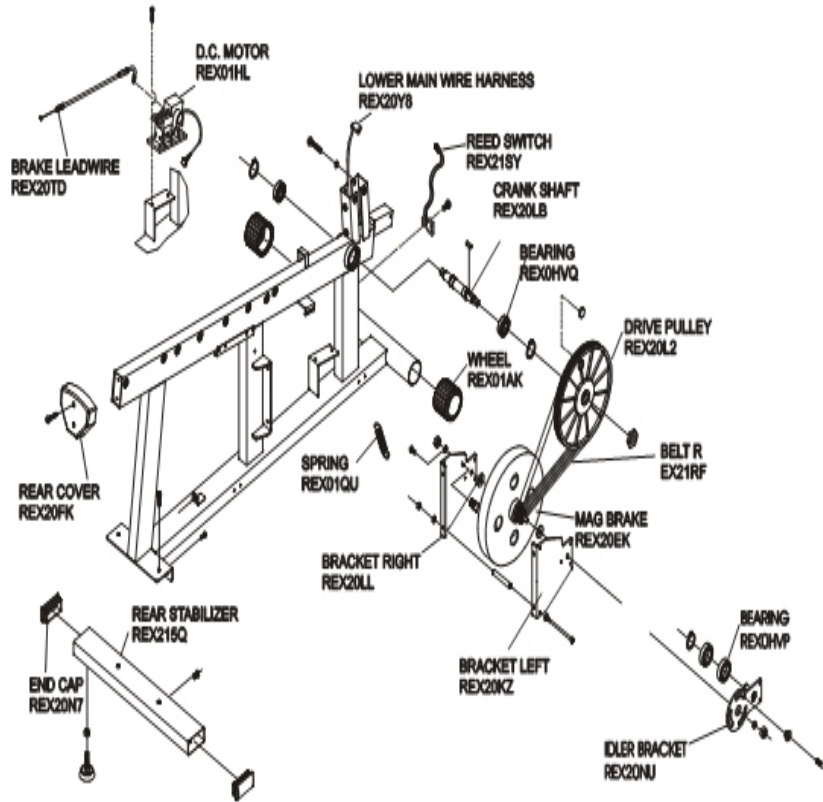
Ref #	Part Number	Qty	Description
-	REX118N	8	Hardware: Screw, CR. RE. PAN HD, M6*1.0-55

Component Assembly 4



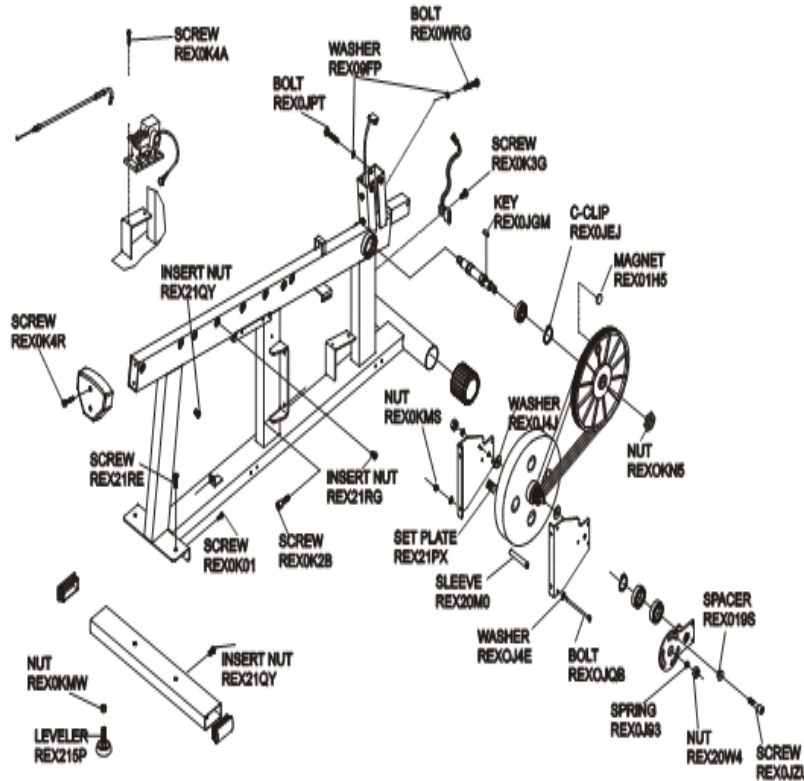
Ref #	Part Number	Qty	Description
-	REX0J5G	3	Hardware: Washer, 8MM ID X 18MM OD X 1.5MM
-	REX20PY	1	Axle, Tension
-	REX0K5C	1	CR. RE. COUNT HD. SCREW
-	REX21SE	1	SEAT POSITION SCALE
-	REX20W1	1	Hardware: Bolt, HEX M10*1.5-160
-	REX0K06	1	HEX. SOC. TRUSS HD. SCREW
-	REX21RA	1	Spacer, Tube
-	REX01VM	1	Spacer, Tube SM
-	REX20Q2	1	Spacer Rexon
-	REX21NY	1	1" Rubber Bumper
-	REX20MD	1	Stop, Seat
-	REX213E	1	Hardware: Washer, Flat
-	REX20ME	1	Extrusion, Seat
-	REX01VL	1	Bumper, Seat Front
-	REX20PZ	1	Wheel, Adjust
-	REX20W0	1	Hardware: Nut, M10*1.5 HEX SERR Flange
-	REX20Q1	2	Wheel, Rolling
-	REX0J93	2	Hardware: Washer, Spring 1.0
-	REX20Q0	1	Spacer
-	REX213C	2	Hardware: Washer, Flat
-	REX0K0C	1	Hardware: Screw, M8*1.25-35 HEX SOC TRUSS
-	REX20ZA	1	Ring, Retaining

Component Assembly 5



Ref #	Part Number	Qty	Description
-	REX20LL	1	Bracket, Brake MTG Right
-	REX20LB	1	Crank Shaft
-	REX21SY	1	MODEL LABEL SR70
-	REX20Y8	1	Harness, Frame
-	REX20KZ	1	Bracket, Brake MTG Left
-	REX20FK	1	Rear Cover
-	REX20TD	1	Cable, Resistance Brake
-	REX01HL	1	Drive Motor, Pesistande DC
-	REX215Q	1	Rear Stabilizer Assembly
-	REX20NU	1	Idier Wheel Bracket Assembly
-	REX20N7	2	Cap, 1.5 X 4.0 Tube
-	REX01QU	1	Spring, Belt Tension
-	REX21RF	1	Belt, R1/R3
-	REX20EK	1	Magnetic Brake Assembly
-	3225301	1	Bearing, 12MM Ball
-	REX01AK	2	Wheel, Assembly
-	REX20L2	1	Flywheel
-	REX0HVP	2	Bearing Ball 6004ZZ

Component Assembly 6



Ref #	Part Number	Qty	Description
-	REX0J93	1	Hardware: Washer, Spring 1.0
-	REX0K4A	1	Hardware: Screw, M5*0.8-20 PHI PAN HD
-	REX0K2B	1	Hardware: Screw, SHCS Brake MTG
-	REX21QY	3	Inserts-Nut
-	REX09FP	2	Washer
-	REX0JZU	1	Hardware: Screw, SHCS Brake MTG
-	REX0K01	1	Hardware: Screw, SHCS 5MM X 15MM
-	REX20W4	1	Hardware: Nut, HEX M10 X 1.5-6
-	REX0JEJ	1	Ring, Retaining, 63/64
-	REX0K3G	1	Hardware: Screw, PHI HD. M5 X .8-12
-	REX0WRG	1	Hardware: Bolt, 8MM X 100MM
-	REX0KMS	1	Hardware: Nut, HEX M6*1.0 T=5
-	REX0JQB	1	Hardware: Bolt, HEX HD M6*1.0-110
-	REX019S	1	Spacer, Tensioner
-	REX21RG	1	Inserts-Nut
-	REX21PX	1	Plate, Set
-	REX0JPT	1	Hardware: Bolt, 8MM X 60MM
-	REX0JGM	1	Key, Crank
-	REX0J4E	1	Hardware: Washer, Flat 6MM*13-1
-	REX2NFK	4	Leveler, Leg
-	REX21RE	1	Hardware: Screw, SHCS 8MM X 50MM
-	REX0KN5	1	Hardware: Nut, M19 Low Prof

Ref #	Part Number	Qty	Description
-	REX0K4R	1	Hardware: Screw, PHI 5MM X 12MM
-	REX0J4J	1	Hardware: Washer, Flat .10*20-2
-	REX01H5	1	Magnet Rexon

