

SU70 Bike LF Sport Upright Self Powered

LCSU70-0000-01

Parts Manual

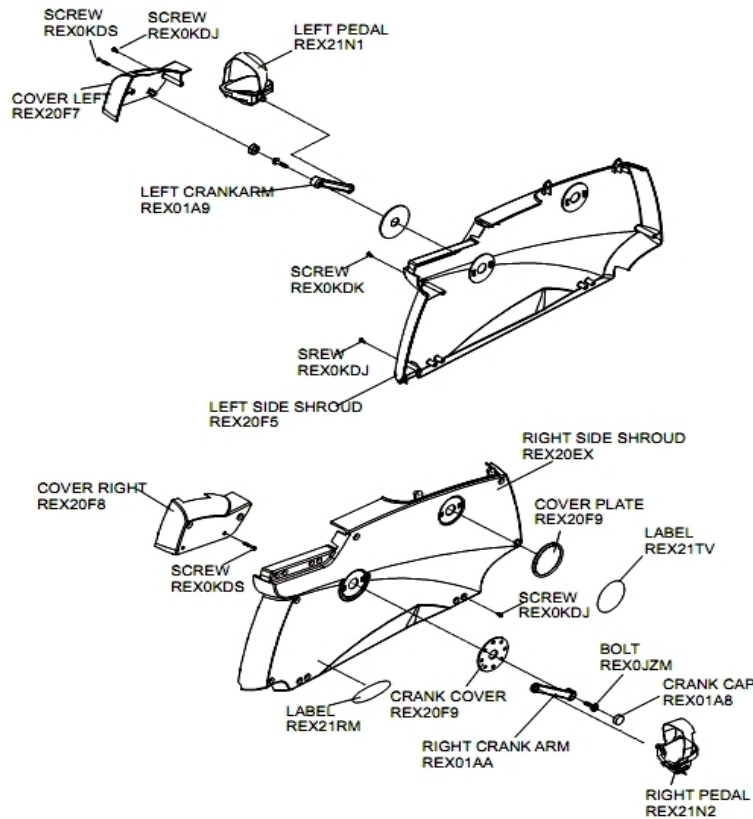
1/5/2019 15:02:44 PM



Table of Contents

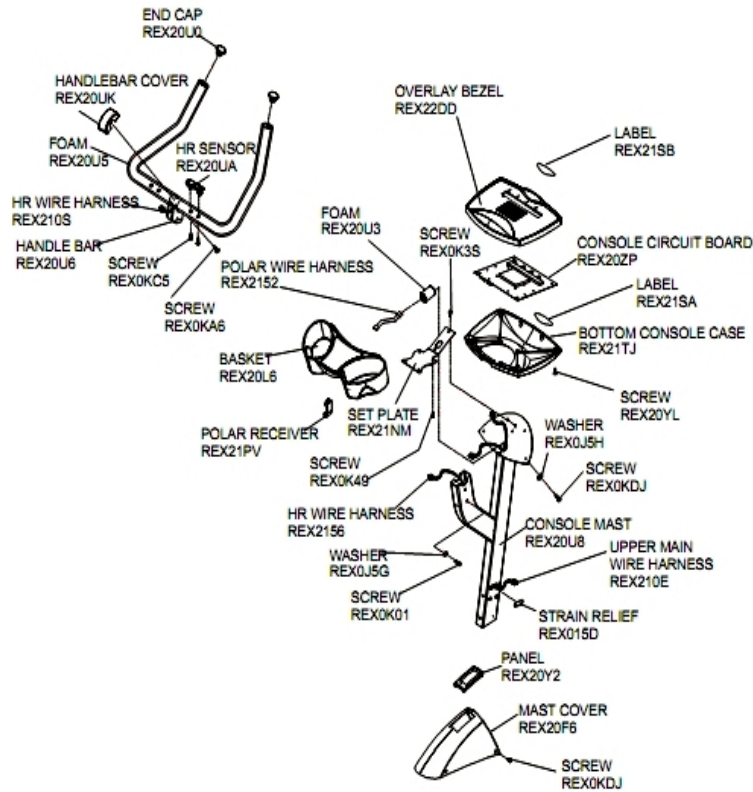
Component Assembly 1	3
Component Assembly 2	4
Component Assembly 3	6
Component Assembly 4	7

Component Assembly 1



Ref #	Part Number	Qty	Description
-	REX0JZM	1	Hardware: 8-18 Screw, HEX Washer Type 25
-	REX21N2	1	Right Pedal - R1-5
-	REX3GJ4	1	CRANK, R
-	REX20EX	1	Side Cover (Right)
-	REX20FA	1	COVER PLATE
-	REX21RM	2	Trade-Mark Label (On Shroud)
-	REX20F5	1	Side Cover (Left)
-	REX0KDS	2	CR. RE. PAN HD. Screw
-	REX0KDJ	3	Hardware: Screw, PHI 5MM*.8 X 12MM
-	REX20F9	2	Cover, Crank
-	REX21TV	2	MODEL LABEL SU70
-	REX3GJ3	1	CRANK, L
-	REX0KDK	1	CR. RE. Pan HD. Screw
-	REX20F8	1	SEAT TRACK COVER/CASING
-	REX01A8	1	Plastic Cap. Crank
-	REX20F7	1	SEAT TRACK COVER/CASING
-	REX21N1	1	Left Pedal - R1-5

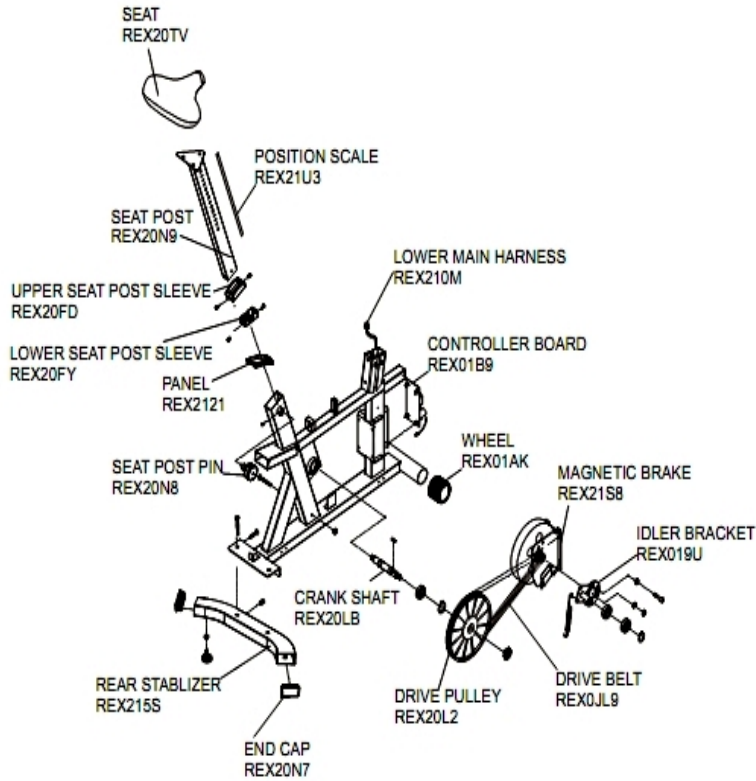
Component Assembly 2



Ref #	Part Number	Qty	Description
-	REX0J5G	1	Hardware: Washer, 8MM ID X 18MM OD X 1.5MM
-	REX0KA6	1	CR.RE. PAN HD. Tapping Screw
-	REX20Y2	1	Grommet, Upright
-	REX20U8	1	CONSOLE MAST ASSY
-	REX20UK	1	Cap, Handlebar
-	REX21NM	1	SET PLATE
-	REX20U0	2	End Cap
-	REX22DA	1	Control Panel Assembly (SU70/SR70)
-	REX20L6	1	STORAGE BASKET
-	REX20UA	1	Heart Rate Sensor
-	REX20F6	1	Console Mast Cover/Casing
-	REX20U5	1	Foam Grip
-	REX2156	1	Lead Wire Assembly
-	REX21PV	1	Receiver, Polar HR
-	REX21SA	1	LF Sport Logo On Top Console
-	REX21TJ	1	BOTTOM CONSOLE PANEL
-	REX22DD	1	Top Console Panel Assembly (SU70/SR70)
-	REX015D	1	Grommet, Upright Oval
-	REX0J5H	1	Hardware: Washer, 6MM ID X 12MM OD
-	REX0KDJ	2	Hardware: Screw, PHI 5MM*.8 X 12MM
-	REX20YL	4	Hardware: Screw, CR RE PAN HD Tap M3*24-8
-	REX20ZP	1	Console Controller Circuit Board

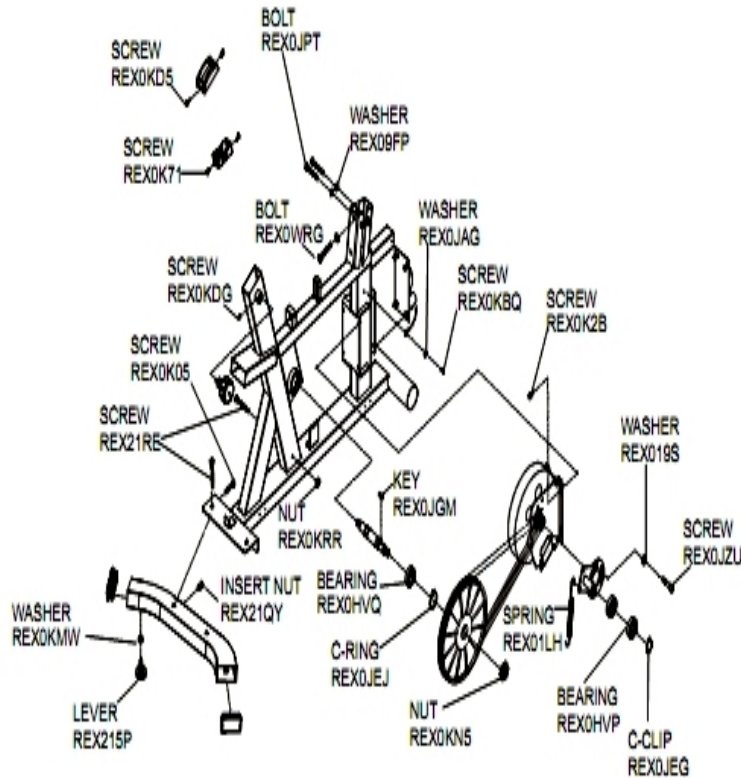
Ref #	Part Number	Qty	Description
-	REX2152	1	Cable Assembly, HR Receiver
-	REX210E	1	Cable, Cross-Trainer Upright
-	REX0K3S	1	Screw, PHI 6MM
-	REX21SB	1	Trade-Mark Label
-	REX0K01	1	Hardware: Screw, SHCS 5MM X 15MM
-	REX20U3	1	ISOLATOR, RECEIVER TUBE
-	REX20U6	1	Handle Bar Assembly
-	REX210S	1	Harness, Contact HR
-	REX0K49	1	CR.RE. PAN HD. SCREW & WASHER
-	REX0KC5	2	Hardware: Screw, HR Sensor MTG

Component Assembly 3



Ref #	Part Number	Qty	Description
-	REX019U	1	Idler Wheel Bracket Assembly
-	REX20FD	1	Cap, Upright Seat Assembly
-	REX3EUR	1	MAGNETIC BRAKE ASSY (Generator/Brake)
-	REX20TV	1	Seat-Assembly:
-	REX20N7	2	Cap, 1.5 X 4.0 Tube
-	REX20N9	1	Seat Post
-	REX01AK	2	Wheel, Assembly
-	REX01B9	1	Board, Circuit
-	REX2B7R	1	Decal: Label, Seat Post
-	REX20N8	1	Knob, Seat Adjuster
-	REX20L2	1	Flywheel
-	REX20LB	1	Crank Shaft
-	REX2121	1	Grommet, Seat Position
-	REX210M	1	Cable, Splicer
-	REX20FY	1	Spacer, Seat Post
-	REX215S	1	REAR STABILIZER ASSY

Component Assembly 4



Ref #	Part Number	Qty	Description
-	REX21QY	1	Inserts-Nut
-	REX0JAG	1	Hardware: Washer, Lock Ext. Tooth BZ
-	REX0K2B	1	Hardware: Screw, SHCS Brake MTG
-	REX09FP	2	Washer
-	REX0JZU	1	Hardware: Screw, SHCS Brake MTG
-	REX0JEG	1	Ring: C-Ring, A-20
-	REX0K71	2	Hardware: Screw, 8MM Seat Post
-	REX0JEJ	1	Ring, Retaining, 63/64
-	REX0KD5	2	Hardware: Screw, Pad HD M4 X .7-6MM
-	REX0KBO	1	SCREW, PHILLIPS PAN HEAD TAPPING
-	REX019S	1	Spacer, Tensioner
-	REX0WRG	1	Hardware: Bolt, 8MM X 100MM
-	REX0HVP	2	Bearing Ball 6004ZZ
-	REX0KDG	1	CR. RE. PAN HD. SCREW
-	REX0JPT	2	Hardware: Bolt, 8MM X 60MM
-	REX0JGM	1	Key, Crank
-	REX01LH	1	Spring, Tensioner
-	REX0KRR	1	Serrated Toothed Hexagon Flang
-	3225301	1	Bearing, 12MM Ball
-	REX2NFK	4	Leveler, Leg
-	REX0KN5	1	Hardware: Nut, M19 Low Prof
-	REX21RE	3	Hardware: Screw, SHCS 8MM X 50MM

Ref #	Part Number	Qty	Description
-	REX0K05	1	Hardware: Screw, SHCS 8MM X 20MM

