

LS-5500HR Stairclimber

LS55-0000-06

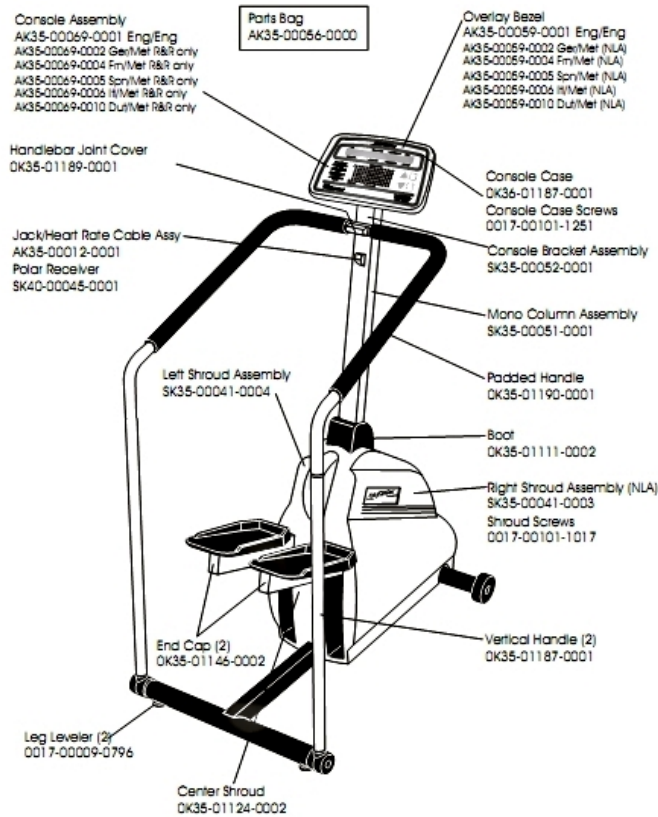
Parts Manual

1/5/2019 15:07:03 PM

Table of Contents

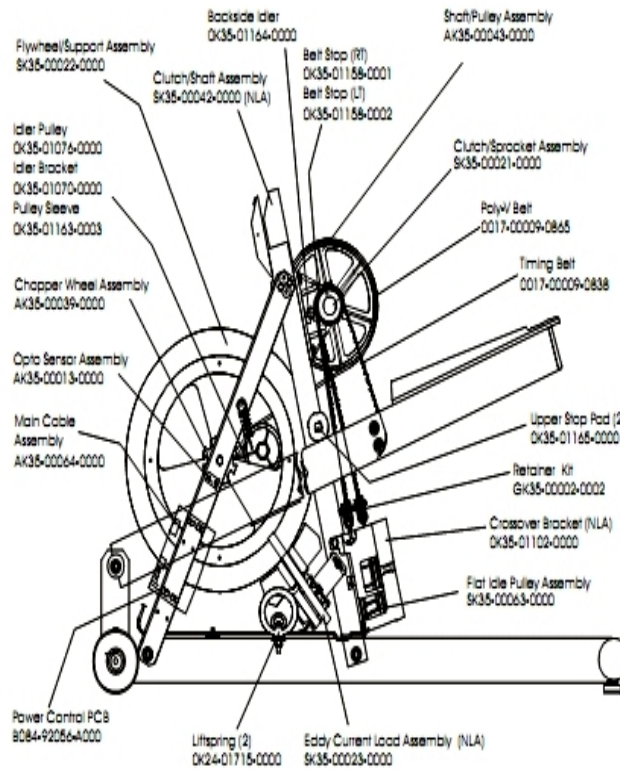
Component Assembly 1	3
Component Assembly 2	4
Component Assembly 3	5

Component Assembly 1



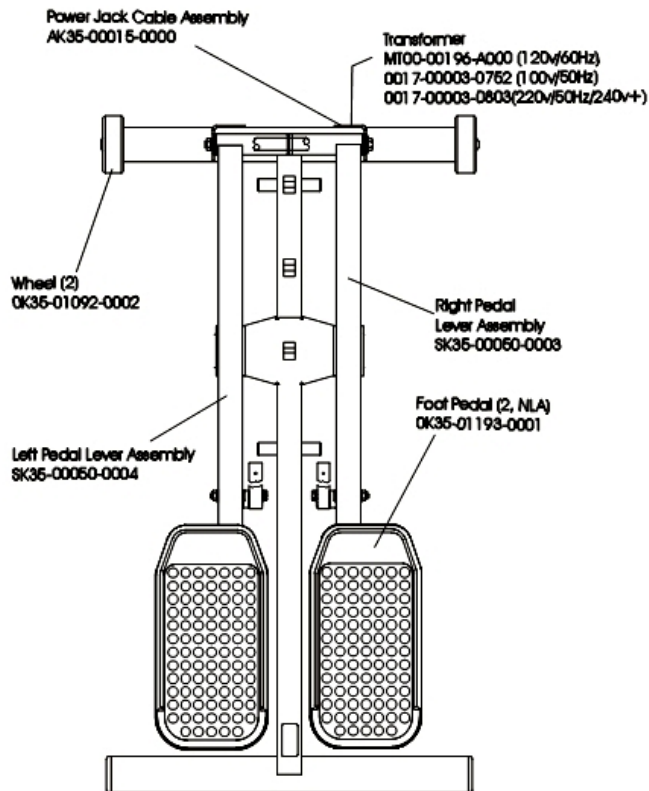
Ref #	Part Number	Qty	Description
-	0017-00009-0796	2	Leg Leveler
-	OK35-01146-0002	2	End Cap
-	SK35-00051-0001	1	Mono Column Assembly
-	AK35-00012-0002	1	Cable-Assembly: Jack/HR S/C-C
-	OK36-01187-0001	1	Console Case
-	0017-00101-1251	1	Hardware: Console Case Screws
-	OK35-01189-0001	1	Handlebar Joint Cover
-	0017-00101-1017	1	Hardware: Leg Cover Screws
-	OK35-01124-0002	1	Center Shroud
-	OK35-01111-0002	1	Boot
-	OK35-01190-0001	1	Padded Handle
-	OK35-01187-0001	2	Vertical Handle
-	SK35-00052-0001	1	Console Bracket Assembly
-	SK35-00041-0004	1	Left Shroud Assembly
-	SK35-00041-0003	1	Right Shroud Assembly
-	SK40-00045-0001	1	Polar HR Kit
-	AK35-00069-0001	1	Console English/English
-	AK35-00059-0001	1	Overlay Bezel English/English
-	AK35-00056-0000	1	Parts Bag

Component Assembly 2



Ref #	Part Number	Qty	Description
-	0K35-01165-0000	2	Upper Stop Pad
-	0K35-01164-0000	1	Backside Idler
-	0K35-01070-0000	1	Idler Bracket
-	SK35-00021-0000	1	Clutch/Sprocket Assembly
-	SK35-00022-0000	1	Flywheel/Support Assembly
-	0K24-01715-0000	2	Lower Spring (2)
-	0K35-01102-0000	1	Crossover Bracket
-	SK35-00042-0000	1	Clutch/Shaft Assembly
-	AK35-00064-0000	1	Main Cable Assembly
-	SK35-00063-0000	1	Flat Idle Pulley Assembly
-	AK35-00013-0000	1	Opto Sensor Assembly
-	0K35-01158-0001	1	Belt Stop (RT)
-	0K35-01076-0000	1	Idler Pulley
-	0K35-01158-0002	1	Belt Stop (LT)
-	0017-00009-0865	1	Poly-V Belt
-	0017-00009-0838	1	Timing Belt
-	B084-92056-A000	1	Power Control PCB
-	GK35-00002-0002	1	Retainer Kit
-	AK35-00039-0000	1	Chopper Wheel Assembly
-	0K35-01163-0003	1	Pulley Sleeve
-	SK35-00023-0000	1	Eddy Current Load Assembly
-	AK35-00043-0000	1	Shaft/Pulley Assembly

Component Assembly 3



Ref #	Part Number	Qty	Description
-	SK35-00050-0003	1	Right Pedal Lever Assembly
-	AK35-00015-0000	1	Power Jack Cable Assembly
-	OK35-01092-0002	2	Wheel
-	OK35-01193-0001	2	Foot Pedal
-	MT00-00196-A000	1	Transformer 120V/60Hz
-	SK35-00050-0004	1	Left Pedal Lever Assembly

