

LS-8500 Stairclimber

LS85-0101-26

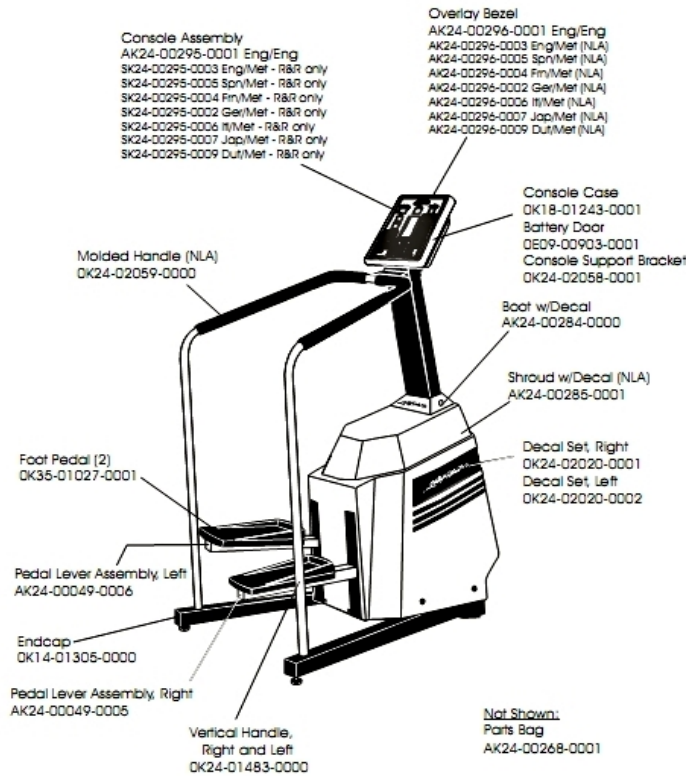
Parts Manual

1/5/2019 15:08:29 PM

Table of Contents

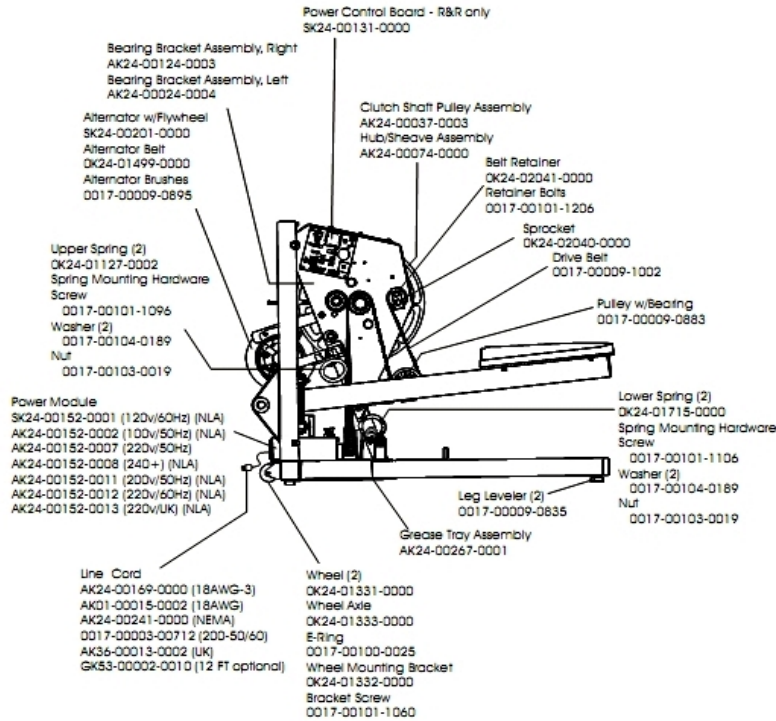
[Component Assembly 1](#).....3
[Component Assembly 2](#).....4
[Component Assembly 3](#).....6

Component Assembly 1



| Ref # | Part Number | Qty | Description |
|-------|-----------------|-----|--------------------------------|
| - | OK18-01243-0001 | 1 | Console Case |
| - | OK53-01027-0003 | 2 | Pedal: Purchased |
| - | AK24-00296-0003 | 1 | Overlay Bezel English/Metric |
| - | OK24-02020-0001 | 1 | Decal Right |
| - | OK24-02058-0001 | 1 | Console Support Bracket |
| - | AK24-00284-0000 | 1 | Boot with Decal |
| - | AK24-00049-0006 | 1 | Pedal Lever Assembly - Left |
| - | 0E09-00903-0001 | 1 | Battery Door |
| - | AK24-00285-0001 | 1 | Shroud with Decal |
| - | OK14-01305-0000 | 2 | Endcap |
| - | AK24-00049-0005 | 1 | Pedal Lever Assembly - Right |
| - | OK24-02020-0002 | 1 | Decal Left |
| - | OK24-02059-0000 | 1 | Top Handle |
| - | AK24-00268-0001 | 1 | Parts Bag |
| - | OK24-01483-0000 | 2 | Vertical Handle Right and Left |

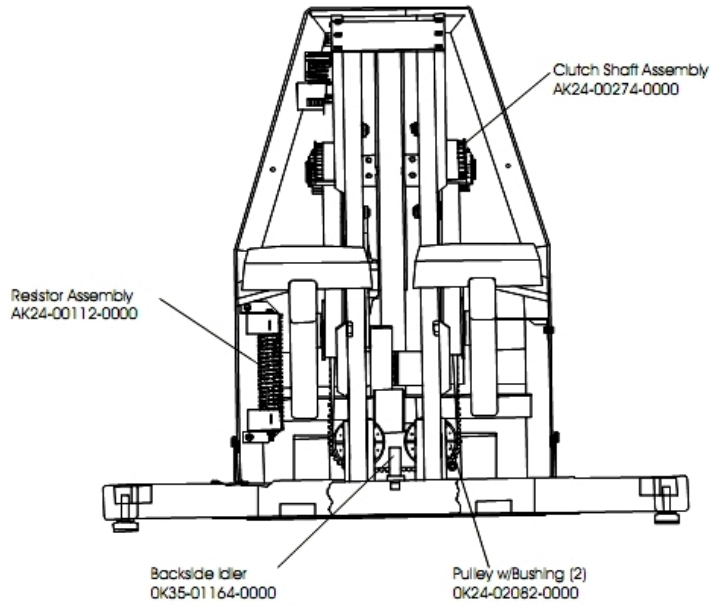
Component Assembly 2



| Ref # | Part Number | Qty | Description |
|-------|-----------------|-----|----------------------------------|
| - | OK24-01332-0000 | 1 | Wheel Mounting Bracket |
| - | OK24-01333-0000 | 1 | Wheel Axle |
| - | SK24-00201-0000 | 1 | Alternator with Flywheel |
| - | 0017-00009-0883 | 1 | Pulley with Bearing |
| - | 0017-00101-1096 | 1 | Hardware: Spring Mounting Screw |
| - | GK53-00002-0017 | 1 | NLA: KIT: SERV; LINK+BUSHINGS BM |
| - | SK24-00131-0000 | 1 | Power Control Board |
| - | 0017-00101-1206 | 1 | Hardware: Retainer Bolts |
| - | 0017-00104-0189 | 4 | Hardware: Flat Washer 1" OD |
| - | AK24-00037-0003 | 1 | Clutch Shaft Pulley Assembly |
| - | AK24-00267-0001 | 1 | Grease Tray |
| - | OK24-02040-0000 | 1 | Sprocket |
| - | OK24-01499-0000 | 1 | Poly-V Belt |
| - | OK24-01331-0000 | 2 | Wheel |
| - | 0017-00100-0025 | 1 | E-Ring |
| - | AK36-00013-0002 | 1 | Line Cord (UK) |
| - | AK24-00124-0003 | 1 | Bearing Bracket Assembly - Right |
| - | AK24-00074-0000 | 1 | Hub/Sheave Assembly |
| - | OK24-02041-0000 | 1 | Belt Retainer |
| - | OK24-01715-0000 | 2 | Lower Spring (2) |
| - | 0017-00103-0019 | 2 | Hardware: Locking Nut 1/4" ID |
| - | 0017-00101-1106 | 1 | Hardware: Spring Mounting Screw |

| Ref # | Part Number | Qty | Description |
|-------|-----------------|-----|---------------------------------|
| - | 0017-00009-0835 | 2 | Leg Leveler |
| - | 0017-00003-0712 | 1 | Line Cord (200-50/60) |
| - | AK24-00152-0007 | 1 | Power Module (220v/50Hz) |
| - | 0017-00101-1060 | 1 | Hardware: Bracket Screw |
| - | 0017-00009-1002 | 1 | Drive Belt |
| - | 0017-00009-0895 | 1 | Alternator Brush Kit |
| - | 0K24-01127-0002 | 2 | Upper Spring |
| - | AK24-00124-0004 | 1 | Bearing Bracket Assembly - Left |

Component Assembly 3



| Ref # | Part Number | Qty | Description |
|-------|-----------------|-----|-----------------------|
| - | AK24-00112-0000 | 1 | Resistor Assembly |
| - | OK24-02082-0000 | 2 | Pulley with Bushing |
| - | OK35-01164-0000 | 1 | Backside Idler |
| - | AK24-00274-0000 | 1 | Clutch Shaft Assembly |

