

# LS-9500HR Stairclimber

LS95-0100-29

## Parts Manual

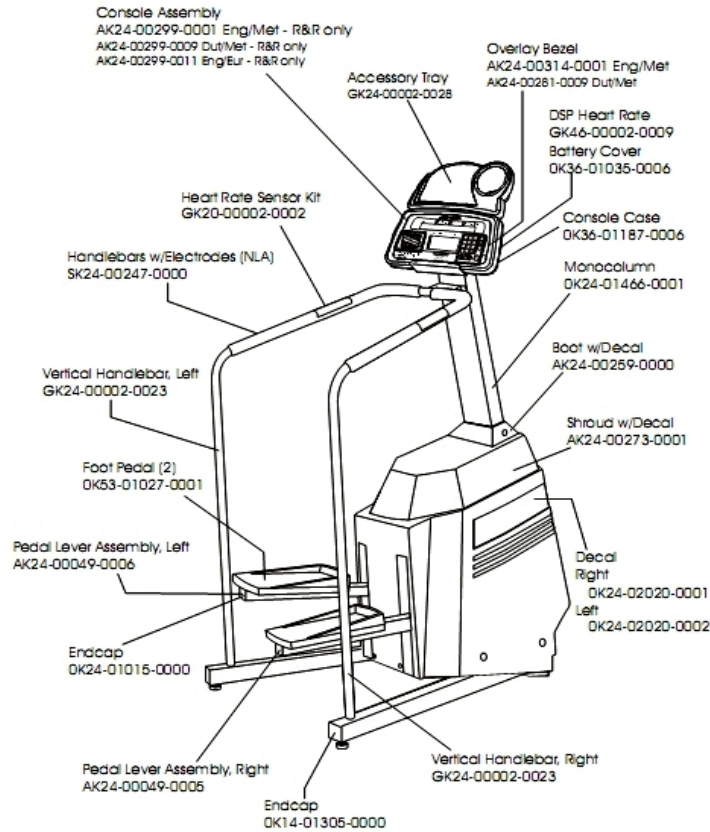
1/5/2019 15:11:22 PM

**Table of Contents**

---

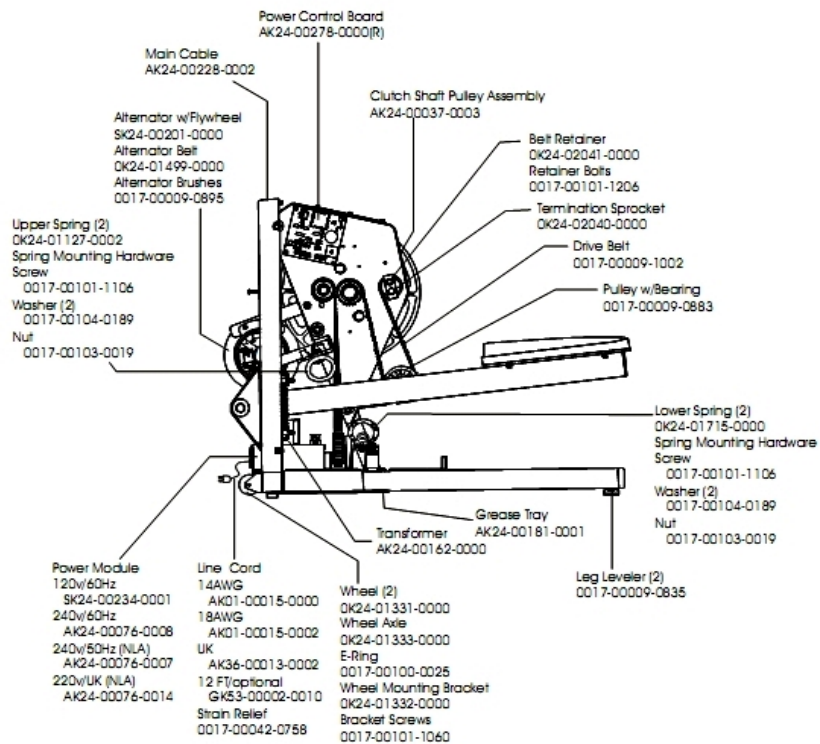
[Component Assembly 1](#).....3  
[Component Assembly 2](#).....4  
[Component Assembly 3](#).....6

# Component Assembly 1



Ref #	Part Number	Qty	Description
-	AK24-00273-0001	1	Shroud with Decal
-	OK24-02020-0001	1	Decal Right
-	GK20-00002-0002	1	Heart Rate Electrode Kit
-	OK24-01015-0000	2	Endcap
-	OK36-01035-0006	1	Battery Cover
-	GK24-00002-0028	1	Accessory Tray
-	GK24-00002-0023	2	Vertical Handlebar Left
-	SK24-00247-0000	1	Handlebars with Electrodes
-	AK24-00049-0006	1	Pedal Lever Assembly - Left
-	AK24-00299-0001	1	Console Assembly English/Metric
-	AK24-00049-0005	1	Pedal Lever Assembly - Right
-	AK24-00259-0000	1	Boot with Decal
-	OK14-01305-0000	2	Endcap
-	AK24-00314-0001	1	Overlay Bezel English/Metric
-	OK24-02020-0002	1	Decal Left
-	OK36-01187-0006	1	Console Case
-	OK53-01027-0003	2	Pedal: Purchased
-	OK24-01466-0001	1	Monocolumn
-	GK46-00002-0009	1	DSP Heart Rate

## Component Assembly 2

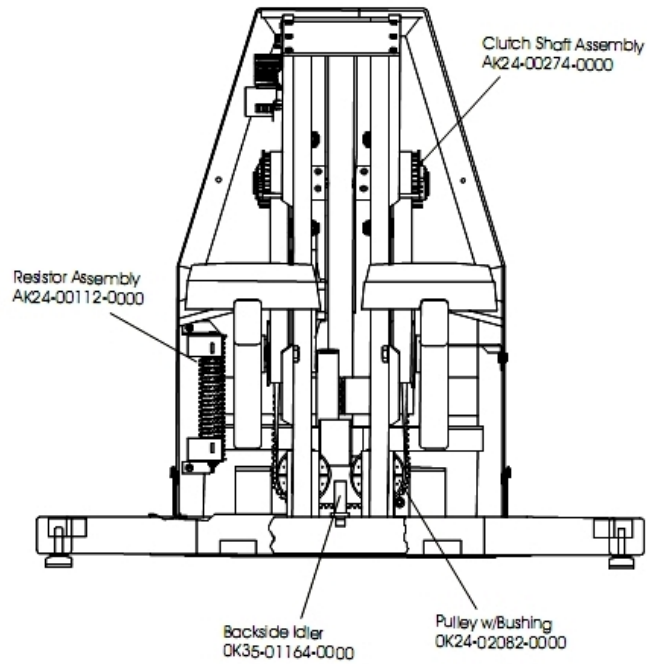


Ref #	Part Number	Qty	Description
-	SK24-00234-0001	1	Power Module 120v/60Hz
-	0017-00101-1206	1	Hardware: Retainer Bolts
-	0017-00104-0189	4	Hardware: Flat Washer 1" OD
-	AK24-00181-0001	1	Grease Tray
-	GK53-00002-0017	1	NLA: KIT: SERV; LINK+BUSHINGS BM
-	AK24-00228-0002	1	Main Cable
-	AK24-00162-0000	1	Transformer
-	0017-00009-0883	1	Pulley with Bearing
-	0K24-01333-0000	1	Wheel Axle
-	0K24-01332-0000	1	Wheel Mounting Bracket
-	AK24-00037-0003	1	Clutch Shaft Pulley Assembly
-	0K24-02040-0000	1	Sprocket
-	0K24-01499-0000	1	Poly-V Belt
-	0K24-01331-0000	2	Wheel
-	0017-00100-0025	1	E-Ring
-	0017-00042-0758	1	Strain Relief Bushing
-	AK24-00278-0000	1	Power Control Board
-	AK01-00015-0000	1	Line Cord 14AWG
-	0K24-02041-0000	1	Belt Retainer
-	0K24-01715-0000	2	Lower Spring (2)
-	0017-00103-0019	2	Hardware: Locking Nut 1/4" ID
-	0017-00101-1106	2	Hardware: Spring Mounting Screw

<b>Ref #</b>	<b>Part Number</b>	<b>Qty</b>	<b>Description</b>
-	0017-00009-0835	2	Leg Leveler
-	SK24-00201-0000	1	Alternator with Flywheel
-	AK01-00015-0002	1	Line Cord 18AWG
-	0017-00101-1060	1	Hardware: Bracket Screw
-	0017-00009-1002	1	Drive Belt
-	0K24-01127-0002	2	Upper Spring
-	0017-00009-0895	1	Alternator Brush Kit

## Component Assembly 3

---



Ref #	Part Number	Qty	Description
-	OK35-01164-0000	1	Backside Idler
-	OK24-02082-0000	1	Pulley with Bushing
-	AK24-00112-0000	1	Resistor Assembly
-	AK24-00274-0000	1	Clutch Shaft Assembly

