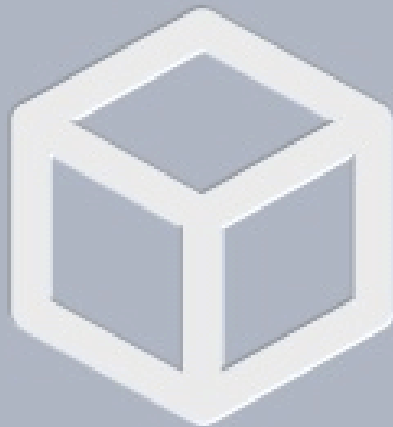


Multi-Jungle - Dual Pulley Pulldown

MJLPD

Parts Manual

1/5/2019 15:18:33 PM



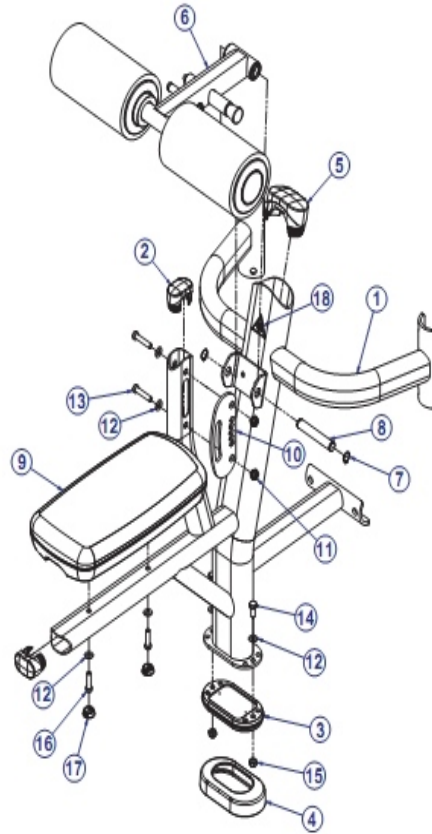
NO IMAGE AVAILABLE

Table of Contents

[Bench Assembly](#).....3
[Boom Assembly](#).....4
[Component Assembly](#).....5
[Hold Down Assembly](#).....7
[Lat Bar Assembly](#).....8
[MJCORE Assembly](#).....9
[Swivel Pulley Assembly](#).....11
[260Lb Weight Stack Assembly](#).....12

** Upholstery & Frame Colors are listed at the end of the Parts Manual **

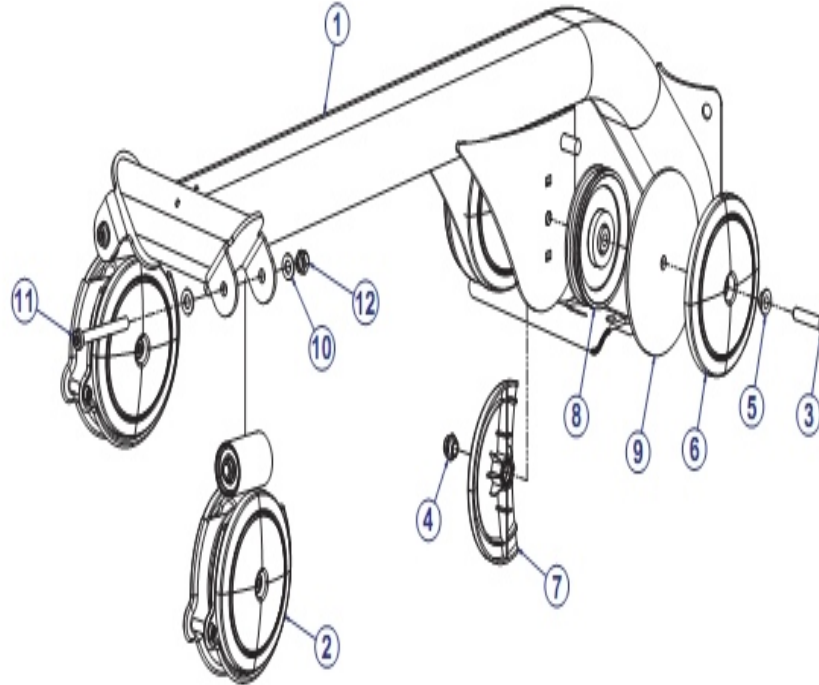
Bench Assembly



Ref #	Part Number	Qty	Description
1	7631501	1	Weldment MJLP/LPD Bench
2	7333801	2	End Cap FLOV Small
3	7334001	1	Foot 2.50 X 4.49 Flov 10-0074-046 BNR
4	7340201	1	Cover Foot - Straight
5	7333901	1	End Cap FLOV Large
6	7639701	1	Assembly MJLP Hold Down
7	3232415	2	Retaining Ring 0.704" D
8	7633702	1	Shaft CM/MJ Pivot X 4.230
9	7468999	1	ASSY, PAD 18 X 9 CONVEX Custom
10	7633601	1	Plate MJLP/LPD Adjust
11	7335401	2	Hardware: Nut 10 MM ID
12	3273303	6	Hardware: WasherR, 3/8, THRU-HARDENED
13	3236207	2	Hardware: Screw 50MM
14	3251202	2	Hardware: Screw 25MM
15	3236801	2	Hardware: Nut 10 MM ID
16	3236204	2	Hardware: Screw 35MM
17	3237403	2	Plug 1" Hole
18	8039501	1	Label Warning Triangle 10-0099-067 BNR

** Upholstery and Frame Colors are list at the end of the Parts Manual **

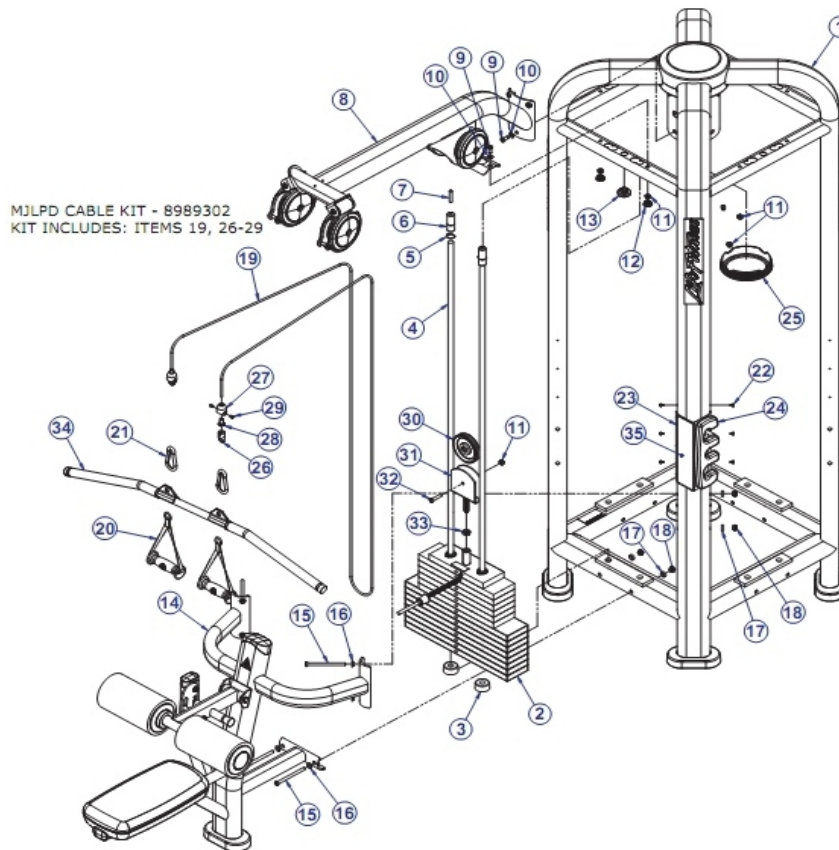
Boom Assembly



Ref #	Part Number	Qty	Description
1	7636401	1	Weldment MJLPD Boom
2	8979301	2	ASSY MJRWD/LPD Swivel Pulley
3	3236207	2	Hardware: Screw 50MM
4	7335401	2	Hardware: Nut 10 MM ID
5	7630101	2	Retainer CM/MJ Pulley
6	7629901	2	Pulley Cover - Bolted Full
7	7630001	2	Pulley Cover - Bolted Partial
8	3237801	2	Pulley 4.5" OD
9	7301101	2	Plate, Pulley White
10	3273303	4	Hardware: WasherR, 3/8, THRU-HARDENED
11	3236217	2	Hardware: Screw 100MM
12	3236801	2	Hardware: Nut 10 MM ID
-	7640801	1	Assembly MJLPD Boom

** Upholstery and Frame Colors are list at the end of the Parts Manual **

Component Assembly

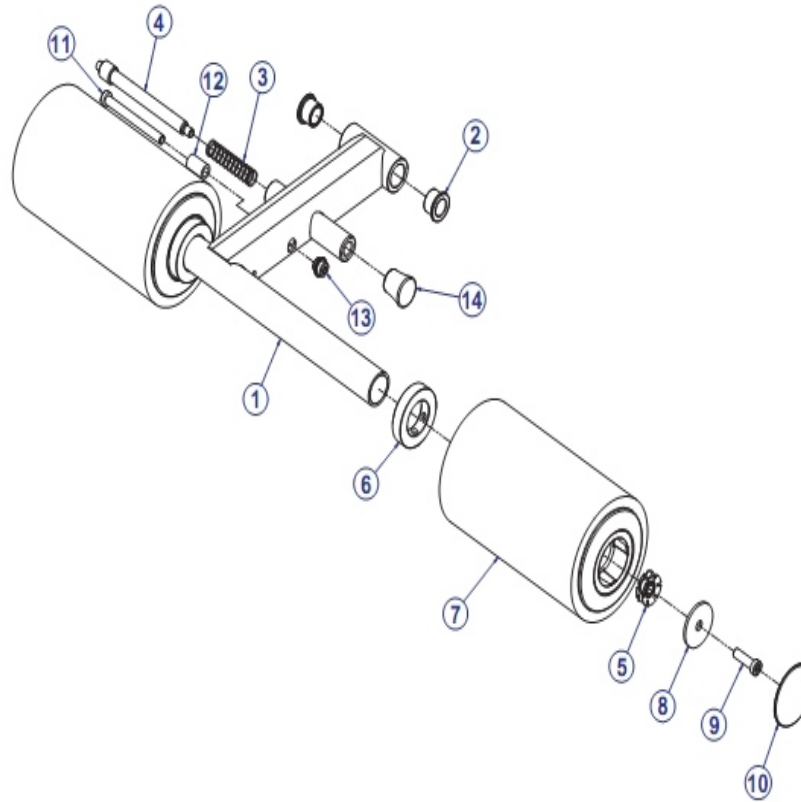


Ref #	Part Number	Qty	Description
1	MJCORE-ASSY	1	Assembly Components MJCORE
2	7640201	1	Assembly 260 LB Stack
3	7352101	2	Cushion Weight Stack
4	7328618	2	Guide Rod .75 OD Solid X 71.50
5	3232421	2	Retaining Ring 0.940" D
6	7634401	2	Retainer CM/MJ Guide Rod
7	3240502	2	Set Screw
8	7640801	1	Assembly MJLPD Boom
9	3236202	5	Hardware: Screw 25MM
10	3273303	5	Hardware: WasherR, 3/8, THRU-HARDENED
11	3236801	5	Hardware: Nut 10 MM ID
12	3237403	2	Plug 1" Hole
13	7642301	1	Bumper CM/MJ Plug
15	3236220	6	Hardware: Screw 130MM
16	7630101	6	Retainer CM/MJ Pulley
17	7634701	6	Spacer CM/MJ .565 X .815
18	7335401	6	Hardware: Nut 10 MM ID
20	8219601	2	Handle CM/MJ Short Strap
21	3250201	2	Snap Link 3/8" D
22	3270601	6	Hardware: Screw 3/8"
23	7647001	1	Weldment CM/MJ Placard Bracket
24	7711501	1	Weight 5 LB. Add-On

Ref #	Part Number	Qty	Description
25	7640401	1	Bottom Cap
26	8943601	2	Link CM/MJ Cable End
27	8943701	2	Housing CM/MJ Cable End
28	8943801	2	Insert CM/MJ Cable End
29	3250002	4	M5 X 0.8 X 8 HXS SOC CS ST BZ
30	3237801	1	Pulley 4.5" OD
31	7642295	1	Weldment CM/MJ Stack Pulley SG
32	3236206	1	Hardware: Screw 45MM
33	3236902	1	Hardware: Nut 16 MM ID
34	7773001	1	Assembly CMPD Lat Bar
35	7734107	1	Label Placard MJLPD- Japanese
35	7734102	1	Label Placard MJLPD- German
35	7734106	1	Label Placard MJLPD- Dutch
35	7734103	1	Label Placard MJLPD- French
35	7734104	1	Label Placard MJLPD- Spanish
35	7734101	1	Label Placard MJLPD- English
35	7734108	1	Label Placard MJLPD- Portugese
35	7734105	1	Label Placard MJLPD- Italian
-,19	8989304	2	KIT, MJLPD, CABLE

** Upholstery and Frame Colors are list at the end of the Parts Manual **

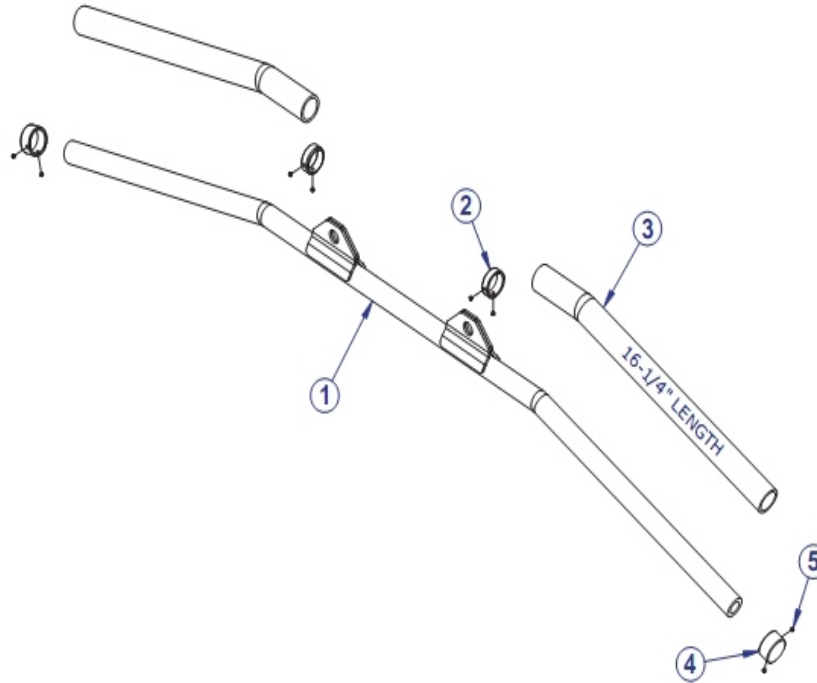
Hold Down Assembly



Ref #	Part Number	Qty	Description
1	7632601	1	Weldment MJLP/LPD Hold Down
2	3104901	2	Bearing 3/4" ID 1" OD
3	7351501	1	Pull Pin Spring
4	7425102	1	Pull Pin 6.750
5	7347301	2	Hardware: Nut 10 MM ID
6	7357901	2	Shaft Collar
7	7424799	2	ASSY, ROLLER PAD SHORT Custom
8	7322301	2	Plate 1.97 OD X .447 ID 10 GA
9	3236204	2	Hardware: Screw 35MM
10	7308701	2	Cap Bearing Housing
11	3236217	1	Hardware: Screw 100MM
12	7634501	1	Spacer CM/MJ .406 X .630 X 1.06 SS
13	7335401	1	Hardware: Nut 10 MM ID
14	7351401	1	Knob Tulip Style

** Upholstery and Frame Colors are list at the end of the Parts Manual **

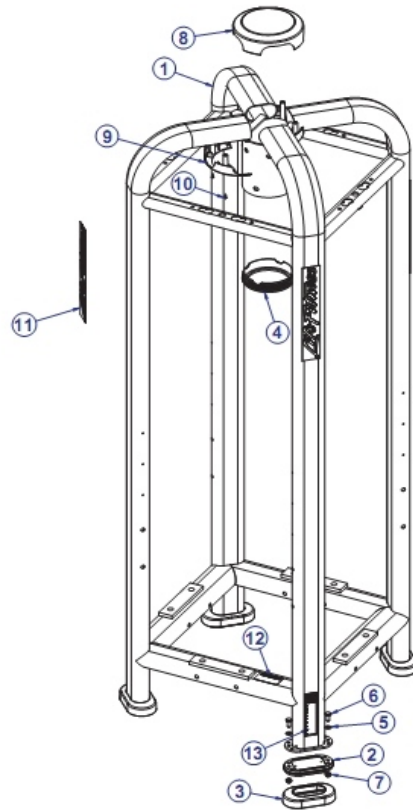
Lat Bar Assembly



Ref #	Part Number	Qty	Description
1	7773195	1	Weldment CMPD LAT BAR SG
2	7662801	2	Grip Ring 1.25"
3	3235801	2	Grip - 1.25" OD
4	7662901	2	Grip Cap
5	LEA3247701	8	Hardware: Screw
-	7773001	1	Assembly CMPD Lat Bar

** Upholstery and Frame Colors are list at the end of the Parts Manual **

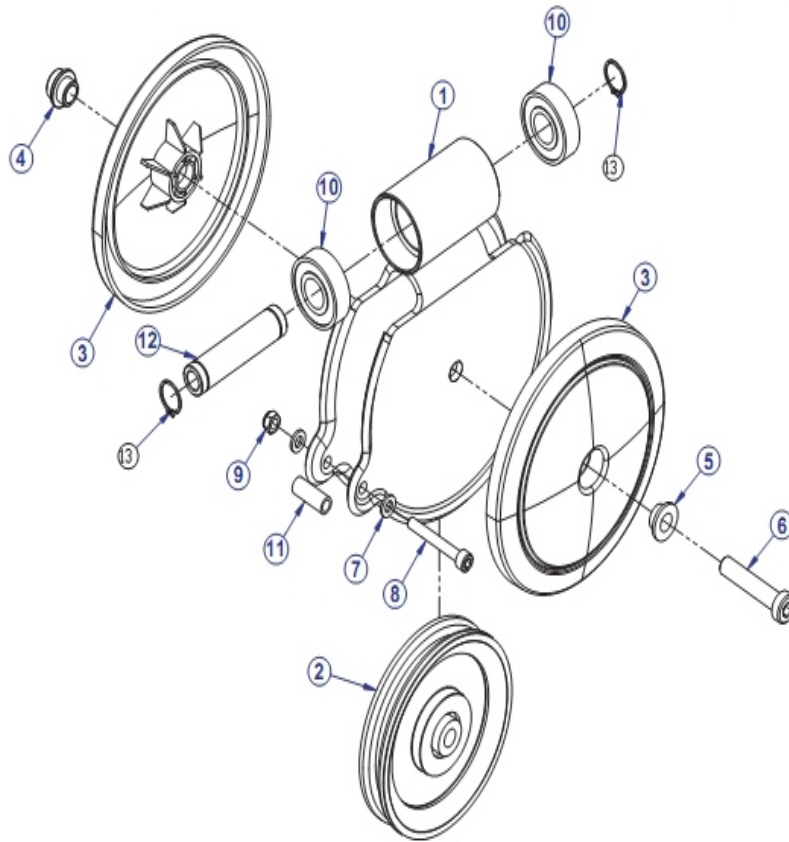
MJCORE Assembly



Ref #	Part Number	Qty	Description
1	7628601	1	Weldment MJCORE
2	7334001	4	Foot 2.50 X 4.49 Flov 10-0074-046 BNR
3	7340201	4	Cover Foot - Straight
4	7640401	1	Bottom Cap
5	3273303	28	Hardware: WasherR, 3/8, THRU-HARDENED
6	3251202	8	Hardware: Screw 25MM
7	3236801	28	Hardware: Nut 10 MM ID
8	7629201	1	Cover Center Top
9	7629801	2	Cover Center Bottom
10	3236501	4	Hardware: Nut 0.7" ID
11	7348001	4	Label Life Fitness Logo
12	7571301	1	Label Serial Number
13	8220001	1	Label, ASTM, Select Vertical - English
13	8220010	1	Label, ASTM, Select Vertical - Russian
13	8220007	1	Label, ASTM, Select Vertical - Japanese
13	8220003	1	Label, ASTM, Select Vertical - French
13	8220004	1	Label, ASTM, Select Vertical - Spanish
13	8220002	1	Label, ASTM, Select Vertical - German
13	8220011	1	Label, ASTM, Select Vertical - Turkish
13	8220005	1	Label, ASTM, Select Vertical - Italian
13	8220008	1	Label, ASTM, Select Vertical - Portugese
13	8220006	1	Label, ASTM, Select Vertical - Dutch

** Upholstery and Frame Colors are list at the end of the Parts Manual **

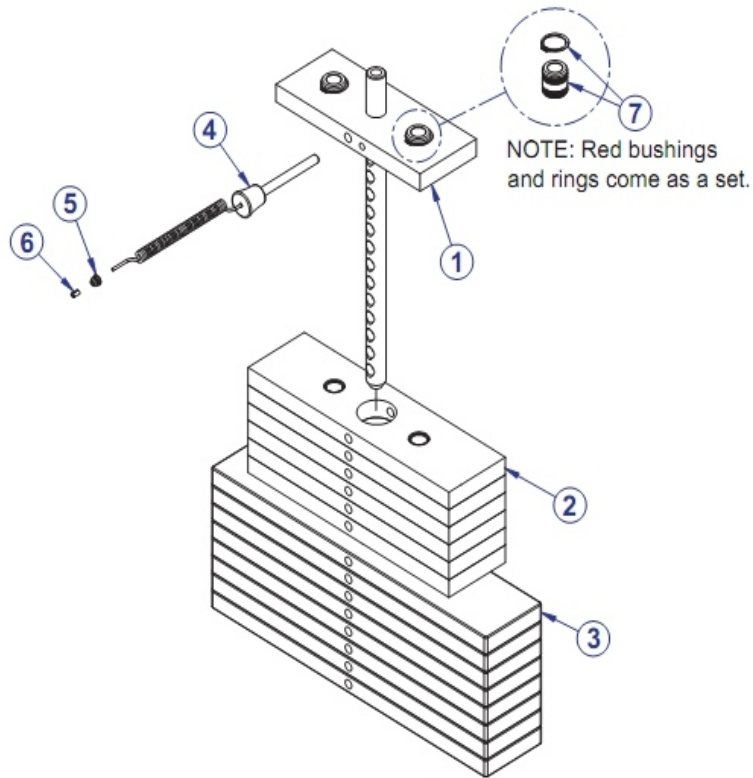
Swivel Pulley Assembly



Ref #	Part Number	Qty	Description
1	8974801	1	Weldment MJRWD/LPD Swivel Pulley
2	3237801	1	Pulley 4.5" OD
3	7629901	2	Pulley Cover - Bolted Full
4	7335401	1	Hardware: Nut 10 MM ID
5	7630101	1	Retainer CM/MJ Pulley
6	3236207	1	Hardware: Screw 50MM
7	3241801	2	Flat Washer 6MM
8	3241706	1	M6 X 1 X 45MM SHCS Standard Head
9	3236802	1	Hardware: Nut 6 MM ID
10	3245901	2	Bearing
11	8002401	1	Spacer CM/MJ Pulley
12	7645401	1	Shaft CM/MJ 6203 Bearing
13	3232413	2	Retaining Ring 0.631" D
-	8979301	1	ASSY MJRWD/LPD Swivel Pulley

** Upholstery and Frame Colors are list at the end of the Parts Manual **

260Lb Weight Stack Assembly



Ref #	Part Number	Qty	Description
1	8920101	1	14 Hole Head Plate/Bayonet Ser. Kit Assembly
2	7353801	6	Weight Plate 15 LB
3	7328401	8	Weight Plate 20 LB
4	7353001	1	Hardware: Assembly Selector Pin
4	8981903	1	ASSY Selector Pin
5	7356501	1	Plug Lanyard Attachment
6	7523601	1	Crimp Cable
7	7338001	2	Bushing Headplate
-	8078801	1	Label Weight Stack 63.5 KG
-	7640201	0	Assembly 260 LB Stack
-	8078701	1	Label Weight Stack 130 LBS

** Upholstery and Frame Colors are list at the end of the Parts Manual **

Frame and Upholstery Color Chart

Frame Colors



Note: Include frame color in order notes when ordering frame assemblies or weldments.

Upholstery Colors



Replace '99' with the above color suffix when ordering pads (i.e. 7412399 = 7412301 BLACK)

