

MTS - Front Pulldown

MTSFP

Parts Manual

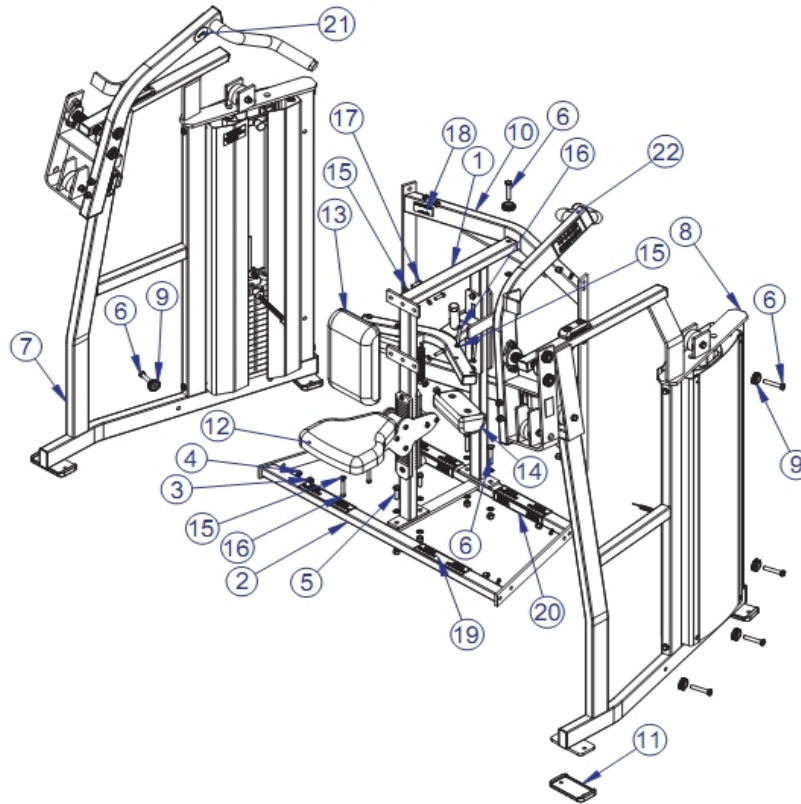
1/5/2019 15:24:11 PM



Table of Contents

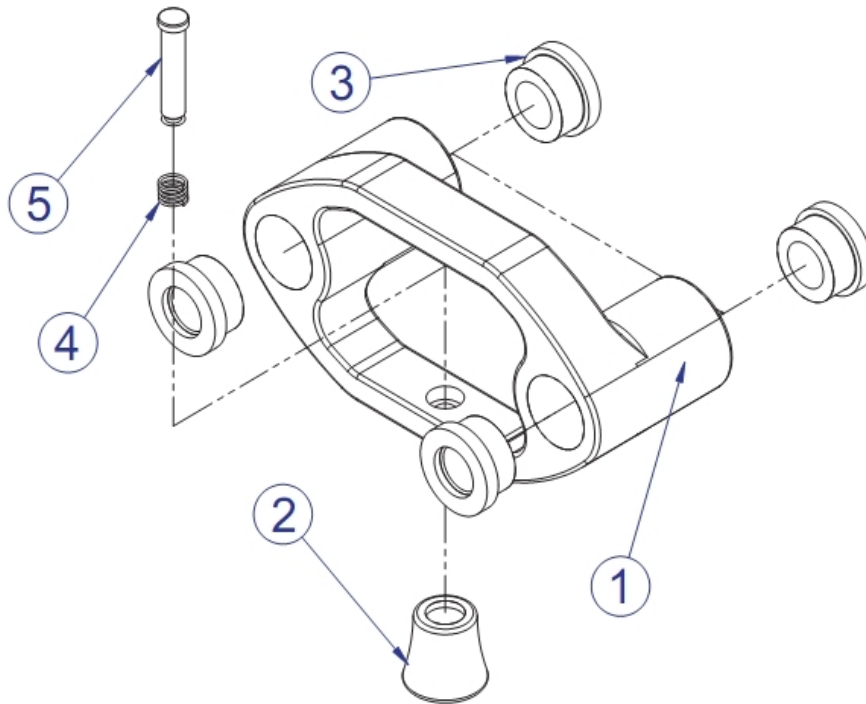
Component Assembly.....	3
Increment Weight Assembly.....	4
Left Side Frame Assembly.....	5
Left Work Arm Assembly.....	7
Right Side Frame Assembly.....	8
Right Work Arm Assembly.....	11
Seat and Thigh Assembly.....	12
150Lb Weight Stack Assembly.....	14
82 Degree Seat Assembly.....	15
83 Degree Seat Assembly.....	16

Component Assembly



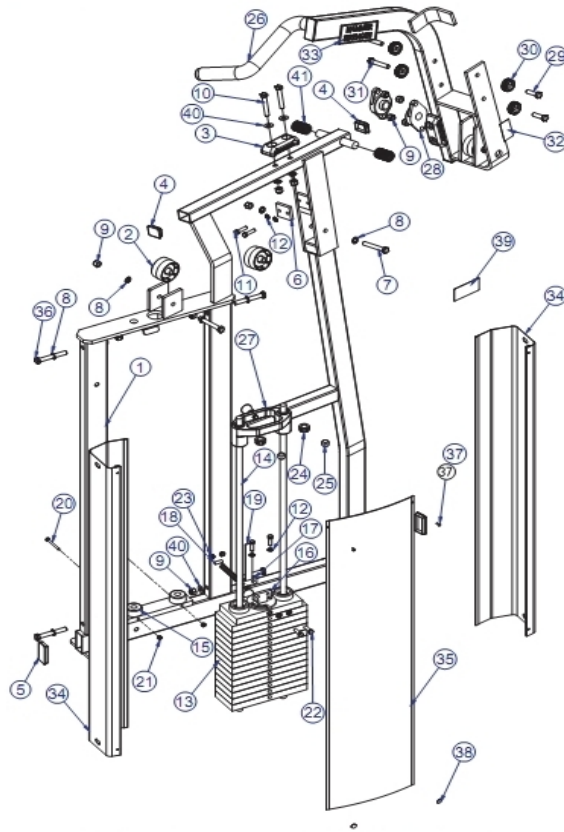
Ref #	Part Number	Qty	Description
1	7471101	1	Assembly - MTFP Seat And Thigh
2	7462801	1	Weldment MTFP Bottom Frame
3	3102801	13	Hardware: Nut 1/2" ID
4	3239505	17	Hardware: Washer 0.5" D
5	3239307	2	Hardware: Bolt 1.75" L
6	3239311	11	Hardware: Bolt 2.75" L
7	7464901	1	Assembly - MTFP Left Side
8	7464601	1	Assembly - MTFP Right Side
9	7434001	9	Washer MTS Hammer Head
10	7463301	1	Weldment MTFP Front Frame
11	7388201	4	Footpad PS Rubber
12	7351901	1	PAD, SADDLE BLACK
13	7501001	1	PAD, 15 X 7-3/4 X 2-3/4 BLACK
14	7501301	2	Pad 8 X 4 X 2-3/4 Black
15	3273303	10	Hardware: WasherR, 3/8, THRU-HARDENED
16	3236210	6	Hardware: Screw 65MM
17	3236204	4	Hardware: Screw 35MM
18	M051-00299-A000	1	Hammer Patent Decal
19	0017-00042-1045	4	2.0X9 Hammer Strength Frame Guard
20	0017-00042-1044	4	1.5 X9 Hammer Strength Frame Guard
21	M051-00333-A000	1	MTS Hand Decal (Left Side)
22	M051-00334-A000	1	MTS Hand Decal (Right Side)

Increment Weight Assembly



Ref #	Part Number	Qty	Description
2	7351401	1	Knob Tulip Style
3	7560001	4	Bushing MTS Increment Weight
4	7447001	1	Compression Spring
5	7446901	1	Hardware: Pin Retaining
-,1	8046901	2	Assembly MTS Increments Weight

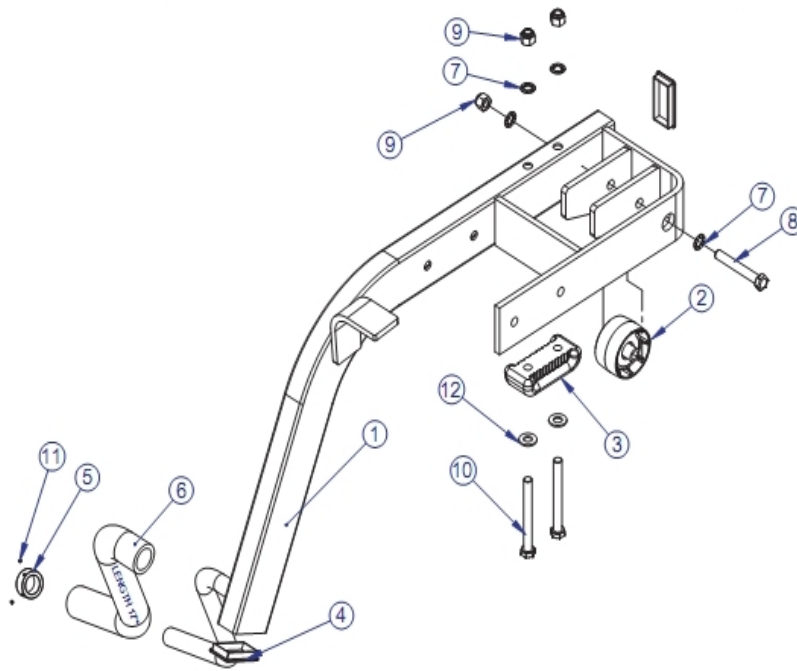
Left Side Frame Assembly



Ref #	Part Number	Qty	Description
1	7462701	1	Weldment MTFP Left Frame
2	7594601	2	Pulley Mts 3 IN Belt
3	7352001	1	Bumper
4	9217401	2	CAP, 1.5IN X 2IN -10-14GA, END
5	7477401	2	End Cap
6	7465095	1	PLATE MTS BELT ATTACH
7	3239314	2	Hardware: Bolt 3.50" L
8	3239505	10	Harware: Washer 0.5" D
9	3102801	12	Hardware: Nut 1/2" ID
10	3239312	2	Hardware: Bolt 3.00" L
11,22	3223302	6	Hardware: Bolt 3/8" D
12	3239503	6	Harware: Washer 0.375" D
13	7464701	1	Assembly MTS 150 LB Stack
14	7328601	2	Guide Rod .75 OD Solid X 48.38
15	7352101	2	Cushion Weight Stack
16	7436595	1	Weldment MTS Belt Attach Lh
17	7435295	1	Plate MTS Belt Clamp SG
18	7435101	1	Shaft 3/8 Diameter SS Belt Wrap
19	7435701	1	Belt Spooled W 15/16 T .09
20	3223809	2	Hardware: Bolt 2.5" L
21	3102806	2	Hardware: Nut 1/4" ID
23	3102807	2	Hardware: Nut 3/8" ID

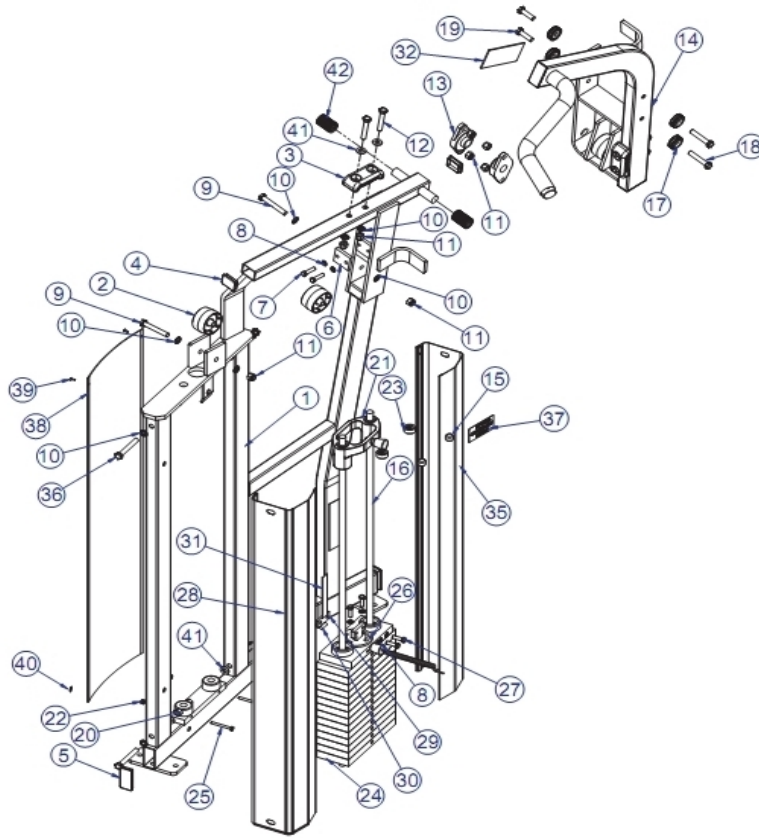
Ref #	Part Number	Qty	Description
24	3103301	2	Shaft Collar 3/4" ID Zinc
25	3242701	2	End Cap
26	7471401	1	Assembly MTFP L Move Arm
27	8046901	1	Assembly MTS Increments Weight
28	3239901	2	Flange Bearing
29	3239307	2	Hardware: Bolt 1.75" L
30	7434001	4	Washer MTS Hammer Head
31	3239311	2	Hardware: Bolt 2.75" L
32	8039501	1	Label Warning Triangle 10-0099-067 BNR
33	H-NAMEPLATE	1	Decal: Name Plate
34	7465102	2	Shroud MTS Side 47.75" SG
35	8353502	1	Shroud, MTS 47.75 X 12.25
36	3239315	4	Hardware: Bolt 3.75" L
37	0017-00101-1587	2	Hardware: RVT 201X0413X.354 T NY NO
38	7564101	2	Lable MTS
39	M051-00297-A000	1	Decal Incrememt Weight Left
40	3102507	6	Hardware: Flat Washer 1/2" ID
41	6912804	2	Sleeve Accordion 1.0 ID X 2.00
-	7464901	1	Assembly - MTFP Left Side

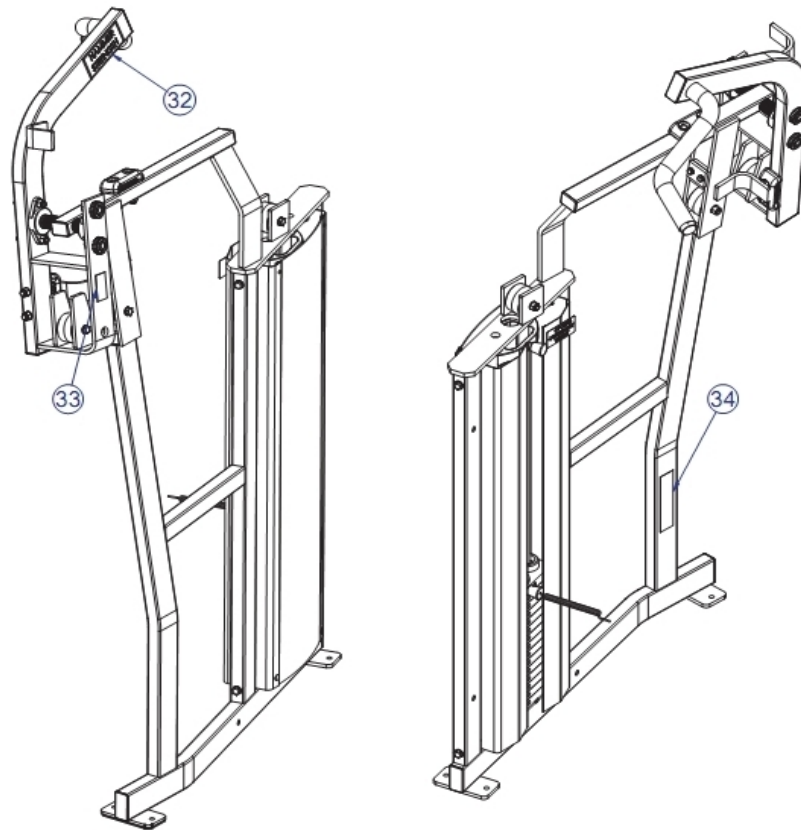
Left Work Arm Assembly



Ref #	Part Number	Qty	Description
1	7461101	1	Weldment MTFP L Movement Arm
2	7594601	1	Pulley Mts 3 IN Belt
3	7352001	1	Bumper
4	7477401	2	End Cap
5	7662902	1	Grip Cap
6	3235801	1	Grip - 1.25" OD
7	3239505	4	Hardware: Washer 0.5" D
8	3239314	1	Hardware: Bolt 3.50" L
9	3102801	3	Hardware: Nut 1/2" ID
10	3239318	2	Hardware: Bolt 4.50" L
11	LEA3247701	2	Hardware: Screw
12	3102507	2	Hardware: Flat Washer 1/2" ID
-	7471401	1	Assembly MTFP L Move Arm

Right Side Frame Assembly

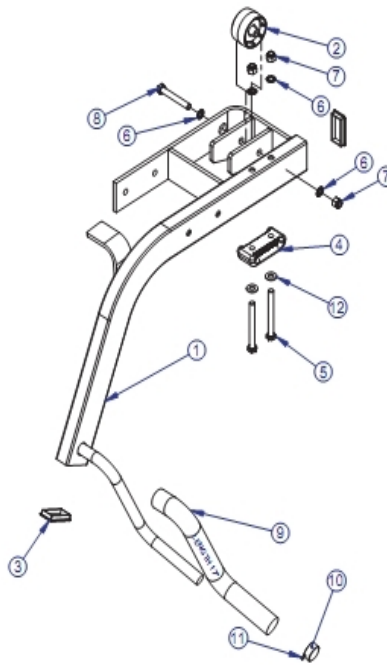




Ref #	Part Number	Qty	Description
1	7461001	1	Weldment MTFP Right Frame
2	7594601	2	Pulley Mts 3 IN Belt
3	7352001	1	Bumper
4	9217401	2	CAP, 1.5IN X 2IN -10-14GA, END
5	7477401	2	End Cap
6	7465095	1	PLATE MTS BELT ATTACH
8	3239503	6	Harware: Washer 0.375" D
9	3239314	2	Hardware: Bolt 3.50" L
10	3239505	10	Harware: Washer 0.5" D
11	3102801	12	Hardware: Nut 1/2" ID
12	3239312	2	Hardware: Bolt 3.00" L
13	3239901	2	Flange Bearing
14	7471501	1	Assembly - MTFP R Move Arm
15	3242701	2	End Cap
16	7328601	2	Guide Rod .75 OD Solid X 48.38
17	7434001	4	Washer MTS Hammer Head
18	3239311	2	Hardware: Bolt 2.75" L
19	3239307	2	Hardware: Bolt 1.75" L
20	7352101	2	Cushion Weight Stack
21	8046901	1	Assembly MTS Increments Weight
22	3102806	2	Hardware: Nut 1/4" ID
23	3103301	2	Shaft Collar 3/4" ID Zinc
24	7464701	1	Assembly MTS 150 LB Stack
25	3223809	2	Hardware: Bolt 2.5" L
26	7434895	1	Weldment MTS Belt Attach SG
27,7	3223302	6	Hardware: Bolt 3/8" D
28	3102807	2	Hardware: Nut 3/8" ID
29	7435295	1	Plate MTS Belt Clamp SG
30	7435101	1	Shaft 3/8 Diameter SS Belt Wrap

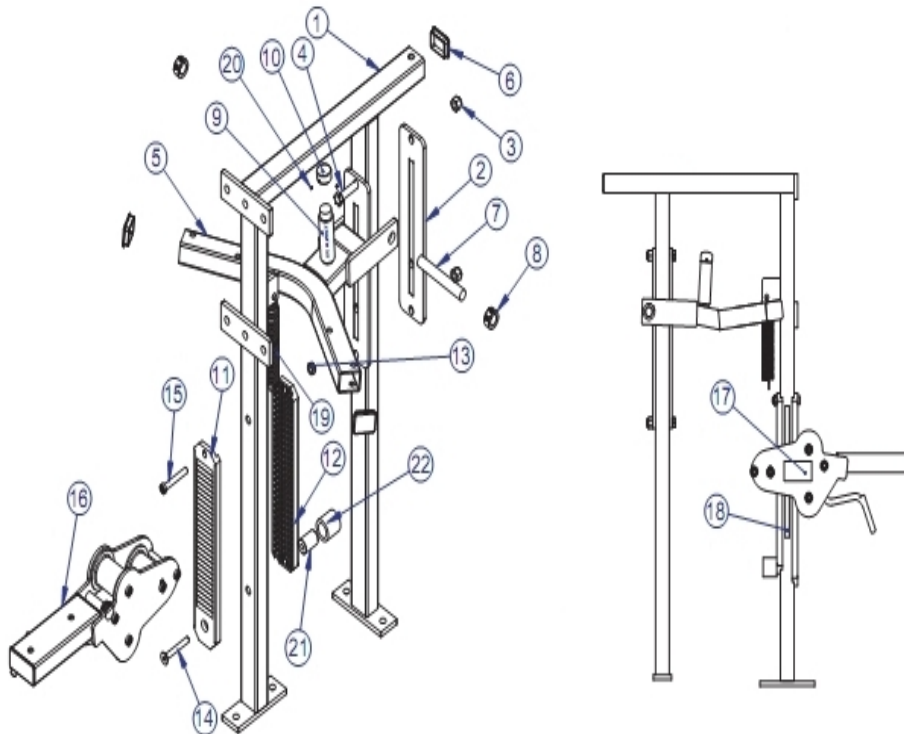
Ref #	Part Number	Qty	Description
31	7435701	1	Belt Spooled W 15/16 T .09
32	H-NAMEPLATE	1	Decal: Name Plate
33	8039501	1	Label Warning Triangle 10-0099-067 BNR
34	7422004	1	Label 2" ASTM Warning
35	7465102	2	Shroud MTS Side 47.75" SG
36	3239315	4	Hardware: Bolt 3.75" L
37	M051-00298-A000	1	Decal Increment Weight Right
38	8353502	1	Shroud, MTS 47.75 X 12.25
39	0017-00101-1587	2	Hardware: RVT 201X0413X.354 T NY NO
40	7564101	2	Lable MTS
41	3102507	6	Hardware: Flat Washer 1/2" ID
42	6912804	2	Sleeve Accordion 1.0 ID X 2.00
-	7464601	1	Assembly - MTFP Right Side

Right Work Arm Assembly



Ref #	Part Number	Qty	Description
1	7460301	1	Weldment MTFP R Movement Arm
2	7594601	1	Pulley Mts 3 IN Belt
3	7477401	2	End Cap
4	7352001	1	Bumper
5	3239318	2	Hardware: Bolt 4.50" L
6	3239505	4	Harware: Washer 0.5" D
7	3102801	3	Hardware: Nut 1/2" ID
8	3239314	1	Hardware: Bolt 3.50" L
9	3235801	1	Grip - 1.25" OD
10	7662902	1	Grip Cap
11	LEA3247701	2	Hardware: Screw
12	3102507	2	Hardware: Flat Washer 1/2" ID
-	7471501	1	Assembly - MTFP R Move Arm

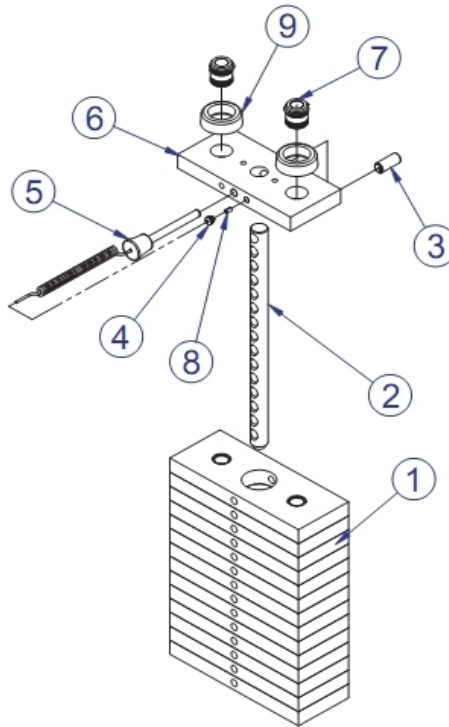
Seat and Thigh Assembly



Ref #	Part Number	Qty	Description
1	7459701	1	Weldment MTFP Seat Frame
2	7359701	2	Plate Seatrack Front
3	3102801	2	Hardware: Nut 1/2" ID
4	3239311	2	Hardware: Bolt 2.75" L
5	7463701	1	Weldment MTS Thigh Hold Down
6	9217401	3	CAP, 1.5IN X 2IN -10-14GA, END
7	7359301	1	Pin Round .75" SS
8	3103301	2	Shaft Collar 3/4" ID Zinc
9	3235801	1	Grip - 1.25" OD
10	7662901	1	Grip Cap
11	8416801	1	Track Seat - Serrated (20 Slots)
12	7564401	1	Seatrack Flat
13	3236801	1	Hardware: Nut 10 MM ID
14	3238312	1	Hardware: Screw 75mm
15	3236211	1	Hardware: Screw 70MM
16	7464301	1	Assembly MTS 83 Seat
17	7422001	1	Label Seat Inst
18	7422002	1	Label Seat Adjust
19	7442601	1	Spring PRO2 Roller Seat
20	LEA3247701	2	Hardware: Screw
21	7570601	1	Stop Roller Seat
22	3235802	1	Grip 1.5" OD

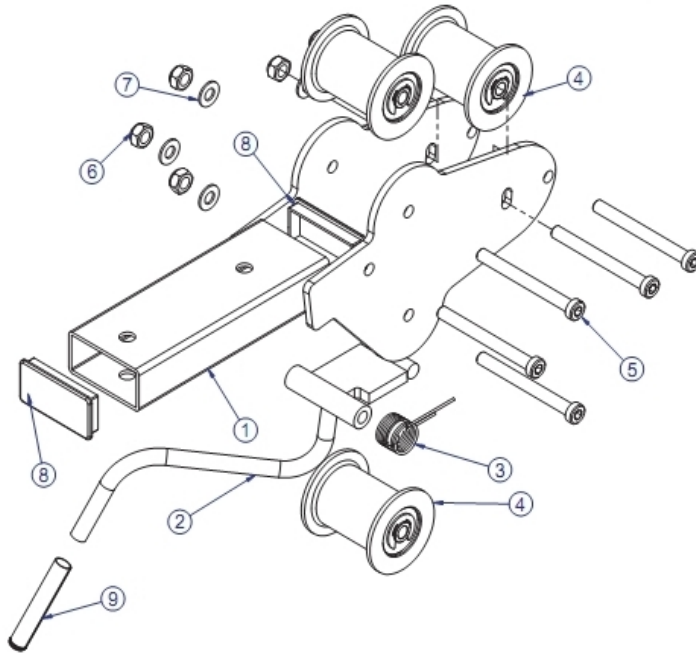
Ref #	Part Number	Qty	Description
-	7471101	1	Assembly - MTFP Seat And Thigh

150Lb Weight Stack Assembly



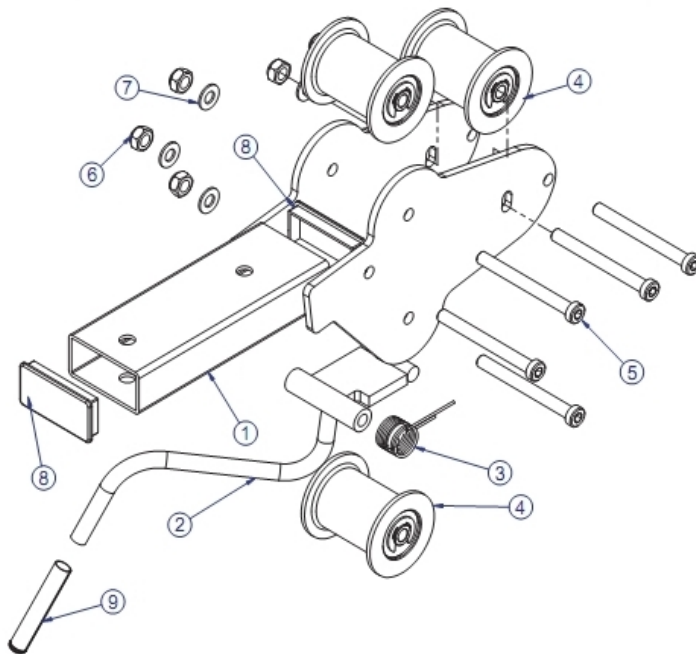
Ref #	Part Number	Qty	Description
1	7353701	14	Weight Plate 10 LB
2	7464801	1	Bayonet MTS 15 Hole
3	3236001	1	SpringPin Bushing
4	7356501	1	Plug Lanyard Attachment
5	7353001	1	Hardware: Assembly Selector Pin
6	7434401	1	Head Plate MTS
7	7338001	2	Bushing Headplate
8	7523601	1	Crimp Cable
9	7767601	2	Bumper PS Increment
-	7464701	1	Assembly MTS 150 LB Stack
-	8072101	1	Label MTS Weight Stack 80 KG
-	8072201	1	Label MTS Weight Stack 150 LBS

82 Degree Seat Assembly



Ref #	Part Number	Qty	Description
-	7464301	1	Assembly MTS 83 Seat

83 Degree Seat Assembly



Ref #	Part Number	Qty	Description
1	7464401	1	Weldment MTS 83 Seat
2	8417195	1	Weldment, Roller Seat Handle SG
3	7442701	1	Spring PRO2 Handle Torsion
4	7564201	3	Assembly Seat Roller
5	3236217	5	Hardware: Screw 100MM
6	3236801	5	Hardware: Nut 10 MM ID
7	3273303	5	Hardware: WasherR, 3/8, THRU-HARDENED
8	7477401	2	End Cap
9	3238502	1	Cap

