

MTS - Kneeling Leg Curl

MTSKC

Parts Manual

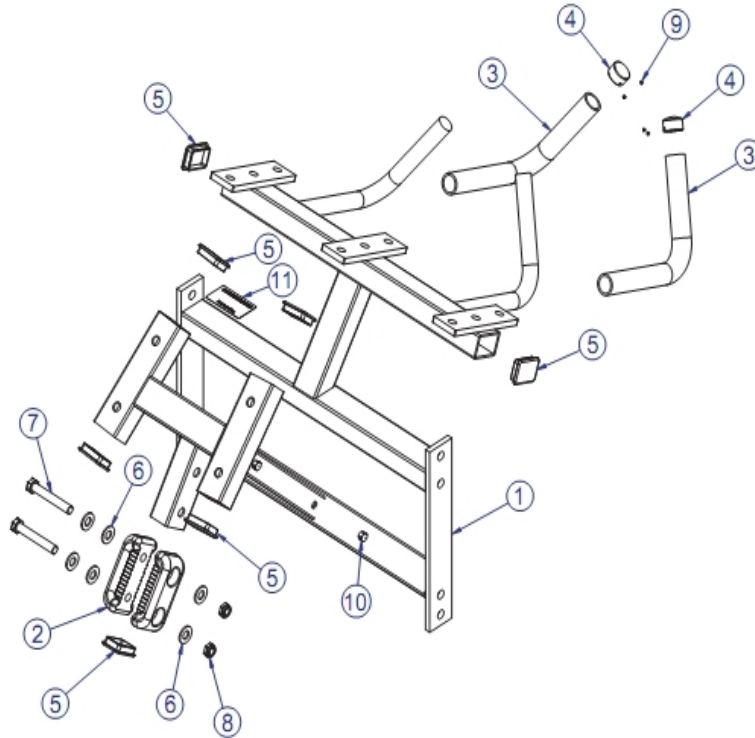
1/5/2019 15:24:16 PM



Table of Contents

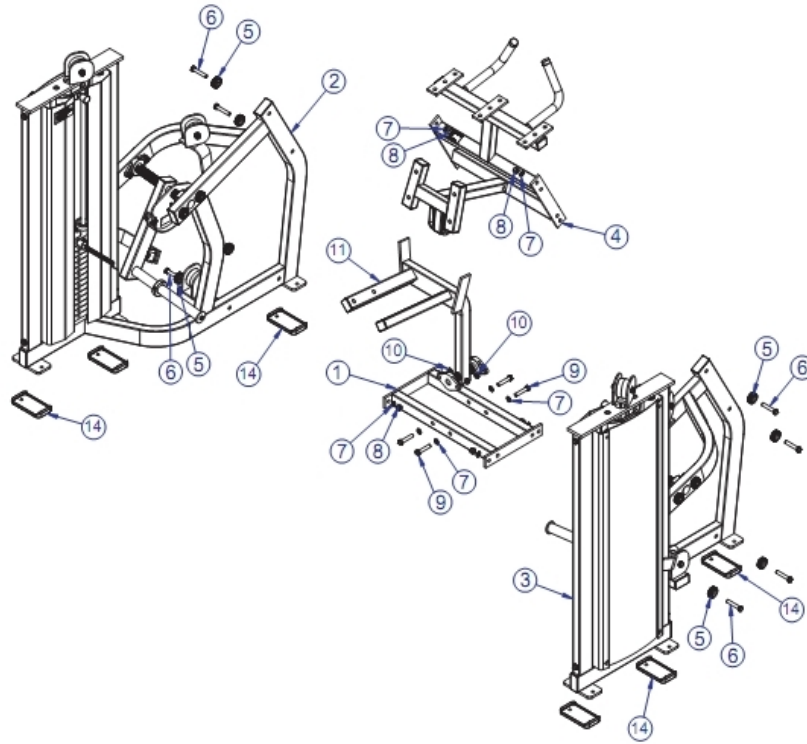
[Back Frame Assembly.....](#)3
[Component Assembly.....](#)4
[Increment Weight Assembly.....](#)6
[Knee Frame Assembly.....](#)7
[Left Side Frame Assembly.....](#)8
[Left Work Arm Assembly.....](#)10
[Right Side Frame Assembly.....](#)11
[Right Work Arm Assembly.....](#)13
[150Lb Weight Stack Assembly.....](#)14

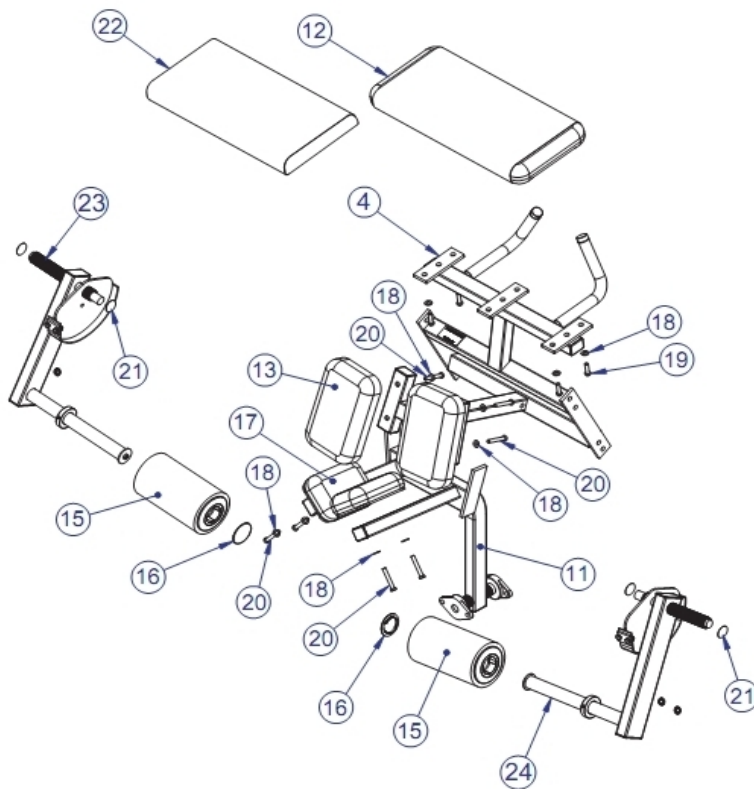
Back Frame Assembly



Ref #	Part Number	Qty	Description
1	7529001	1	Weldment MTKC Back Frame
2	7352001	2	Bumper
3	3235801	2	Grip - 1.25" OD
4	7662901	2	Grip Cap
5	9217401	7	CAP, 1.5IN X 2IN -10-14GA, END
6	3102507	6	Hardware: Flat Washer 1/2" ID
7	3239313	2	Hardware: Bolt 3.25" L
8	3102804	2	Hardware: Nut 1/2" ID
9	LEA3247701	4	Hardware: Screw
10	3237401	4	Plug 7/16" Hole
11	M051-00299-A000	1	Hammer Patent Decal
-	7529601	1	Assembly - MTKC Back Frame

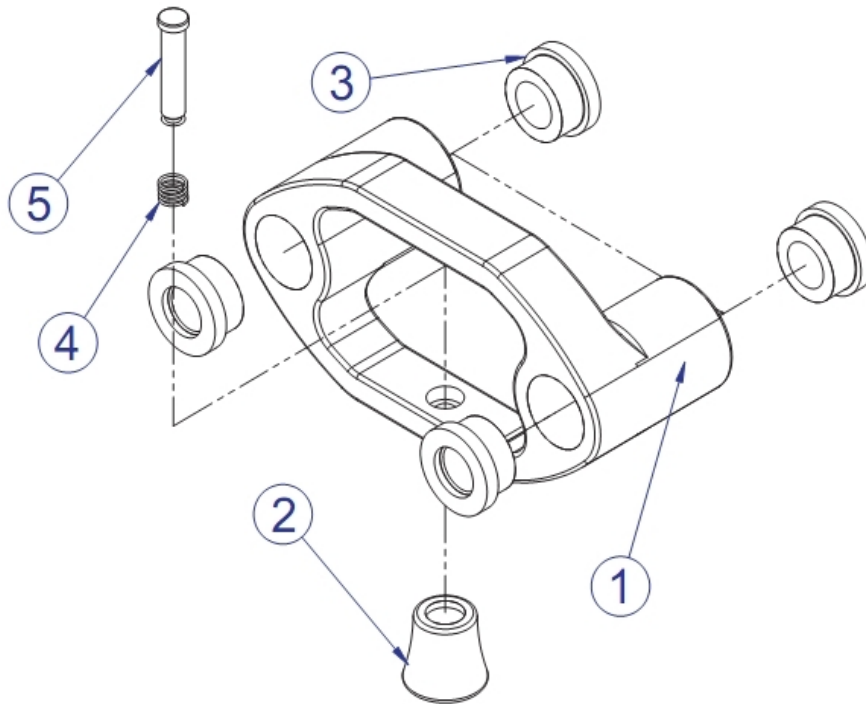
Component Assembly





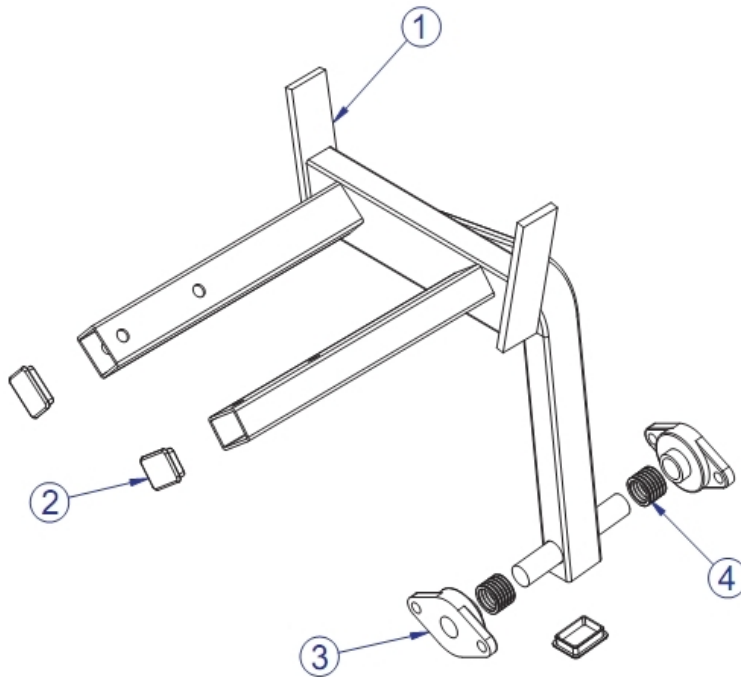
Ref #	Part Number	Qty	Description
1	7528701	1	Weldment MTKC Bottom Frame
2	7529801	1	Assembly MTKC Left Side
3	7529701	1	Assembly MTKC Right Side
4	7529601	1	Assembly - MTKC Back Frame
5	7434001	8	Washer MTS Hammer Head
6	3239311	8	Hardware: Bolt 2.75" L
7	3239505	12	Hardware: Washer 0.5" D
8	3102801	8	Hardware: Nut 1/2" ID
9	3239310	4	Hardware: Bolt .50" L
10	3102804	4	Hardware: Nut 1/2" ID
11	7540101	1	Assembly - MTKC Knee Frame
12	7766099	1	Pad, Elbow 24 X 11 Custom
13	7399399	2	Pad, 7 X 11-1/4 Custom
14	7388201	6	Footpad PS Rubber
15	7424701	2	ASSY, ROLLER PAD SHORT BLACK
16	7308701	2	Cap Bearing Housing
17	7563099	2	Pad, 8 X 6 Custom
18	3273303	12	Hardware: WasherR, 3/8, THRU-HARDENED
19	3236204	4	Hardware: Screw 35MM
20	3236210	8	Hardware: Screw 65MM
21	7488701	4	Label Axis Of Rotation
22	8027999	1	Wear Cover, Elbow Pad 24 X 11 Custom
23	7530001	1	Assembly MTKC Right Arm
24	7529901	1	Assembly MTKC Left Arm
-	8046901	1	Assembly MTS Increments Weight

Increment Weight Assembly



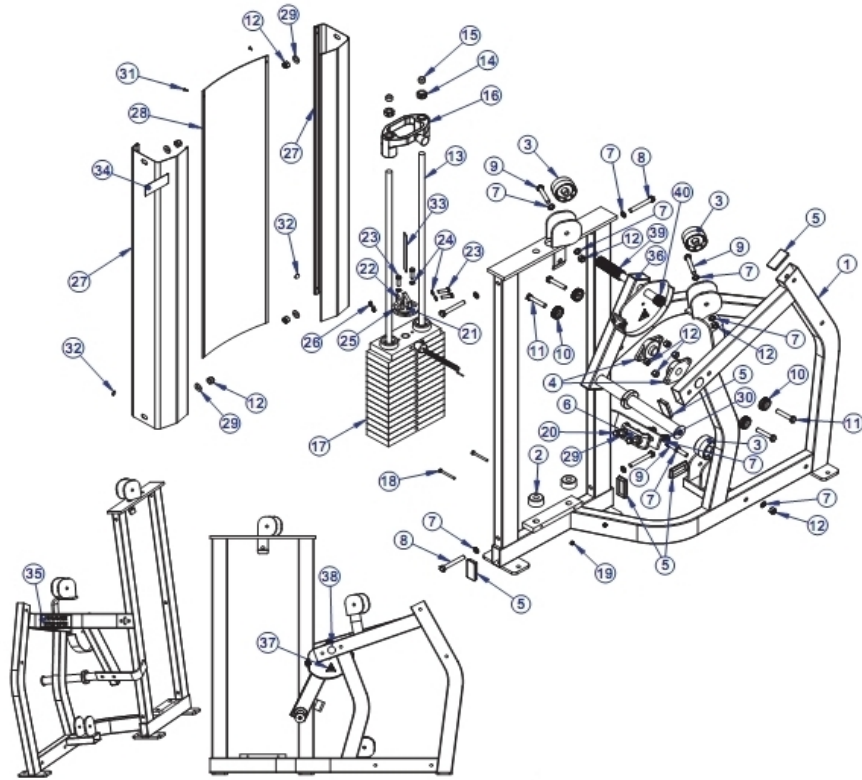
Ref #	Part Number	Qty	Description
2	7351401	1	Knob Tulip Style
3	7560001	4	Bushing MTS Increment Weight
4	7447001	1	Compression Spring
5	7446901	1	Hardware: Pin Retaining
-,1	8046901	2	Assembly MTS Increments Weight

Knee Frame Assembly



Ref #	Part Number	Qty	Description
1	7529101	1	Weldment MTKC Knee Frame
2	9217401	3	CAP, 1.5IN X 2IN -10-14GA, END
3	3239901	2	Flange Bearing
4	6912807	2	Sleeve Accrdn 1.0 X 1
-	7540101	1	Assembly - MTKC Knee Frame

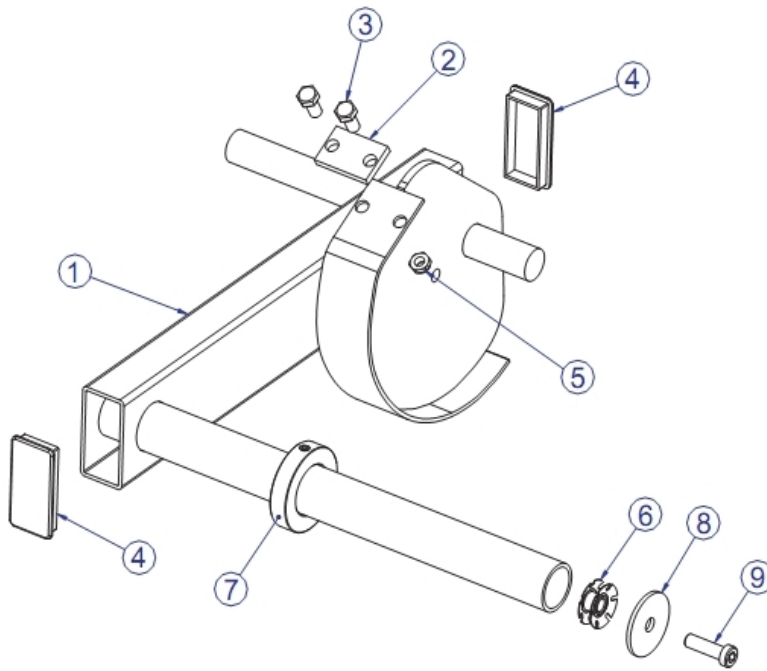
Left Side Frame Assembly



Ref #	Part Number	Qty	Description
1	7528901	1	Weldment MTKC Left Frame
2	7352101	2	Cushion Weight Stack
3	7594601	3	Pulley Mts 3 IN Belt
4	3239901	2	Flange Bearing
5	7477401	5	End Cap
6	7352001	1	Bumper
7	3239505	12	Hardware: Washer 0.5" D
8	3239315	4	Hardware: Bolt 3.75" L
9	3239313	3	Hardware: Bolt 3.25" L
10	7434001	4	Washer MTS Hammer Head
11	3239311	4	Hardware: Bolt 2.75" L
12	3102801	11	Hardware: Nut 1/2" ID
13	7328616	2	Guide Rod .75 OD Solid X 45.25
14	3103301	2	Shaft Collar 3/4" ID Zinc
15	3242701	2	End Cap
16	8046901	1	Assembly MTS Increments Weight
17	7464701	1	Assembly MTS 150 LB Stack
18	3223809	2	Hardware: Bolt 2.5" L
19	3102806	2	Hardware: Nut 1/4" ID
20	3239306	2	Hardware: Bolt 1.50" L
21	7434895	1	Weldment MTS Belt Attach SG
22	7435295	1	Plate MTS Belt Clamp SG

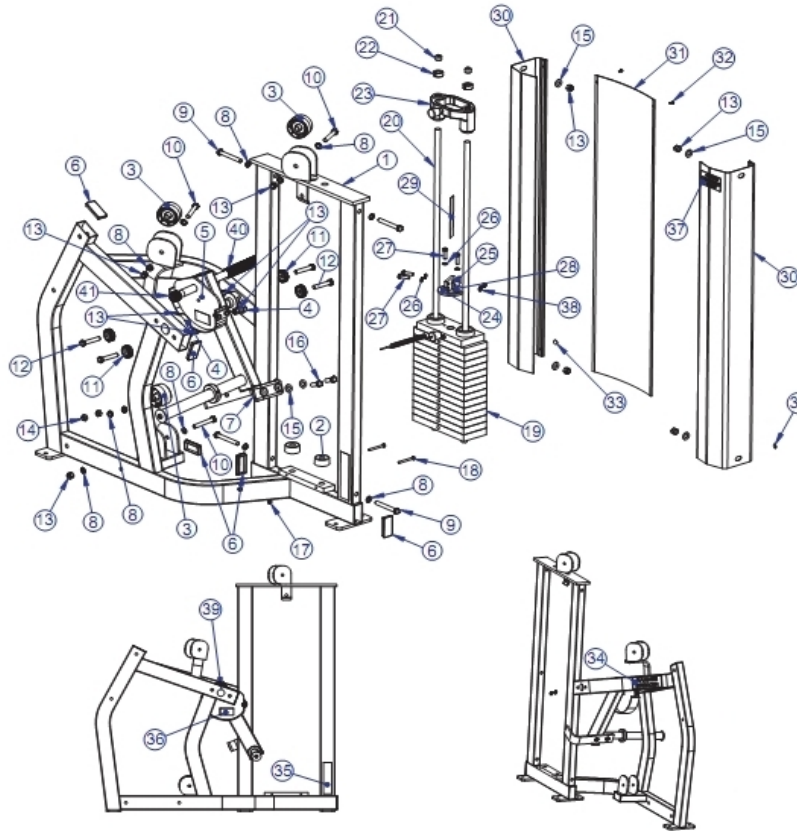
Ref #	Part Number	Qty	Description
23	3223302	4	Hardware: Bolt 3/8" D
24	3239503	4	Harware: Washer 0.375" D
25	7435101	1	Shaft 3/8 Diameter SS Belt Wrap
26	3102807	2	Hardware: Nut 3/8" ID
27	7465104	2	Shroud MTS Side 44.63 Grey
28	8353505	1	Shroud MTS 44.63 X 12.25
29	3102507	6	Hardware: Flat Washer 1/2" ID
30	3102804	2	Hardware: Nut 1/2" ID
31	0017-00101-1587	2	Hardware: RVT 201X0413X.354 T NY NO
32	7564101	2	Lable MTS
33	7435701	1	Belt Spooled W 15/16 T .09
34	M051-00297-A000	1	Decal Incrememt Weight Left
35	H-NAMEPLATE	1	Decal: Name Plate
36	7529901	1	Assembly MTKC Left Arm
37	8039501	1	Label Warning Triangle 10-0099-067 BNR
38	7488701	2	Label Axis Of Rotation
39	6912805	1	Sleeve Accordion 1.0 ID X5.50
40	6912807	1	Sleeve Accrdn 1.0 X 1
-	7529801	1	Assembly MTKC Left Side

Left Work Arm Assembly



Ref #	Part Number	Qty	Description
1	7529301	1	Weldment MTKC Left Arm
2	7436695	1	PLATE MTS BELT CAM ATTACH
3	3239803	2	Hardware: Bolt 3/8" D
4	7477401	2	End Cap
5	3102807	2	Hardware: Nut 3/8" ID
6	7347301	1	Hardware: Nut 10 MM ID
7	7357901	1	Shaft Collar
8	7322301	1	Plate 1.97 OD X .447 ID 10 GA
9	3236204	1	Hardware: Screw 35MM
-	7529901	1	Assembly MTKC Left Arm

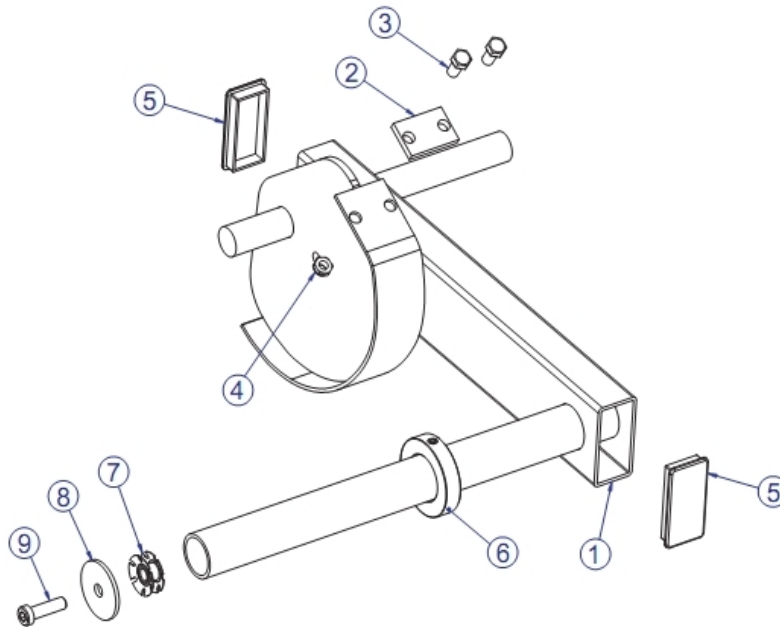
Right Side Frame Assembly



Ref #	Part Number	Qty	Description
1	7528801	1	Weldment MTKC Right Frame
2	7352101	2	Cushion Weight Stack
3	7594601	3	Pulley Mts 3 IN Belt
4	3239901	2	Flange Bearing
5	7530001	1	Assembly MTKC Right Arm
6	7477401	5	End Cap
7	7352001	1	Bumper
8	3239505	12	Hardware: Washer 0.5" D
9	3239315	4	Hardware: Bolt 3.75" L
10	3239313	3	Hardware: Bolt 3.25" L
11	7434001	4	Washer MTS Hammer Head
12	3239311	4	Hardware: Bolt 2.75" L
13	3102801	11	Hardware: Nut 1/2" ID
14	3102804	2	Hardware: Nut 1/2" ID
15	3102507	6	Hardware: Flat Washer 1/2" ID
16	3239306	2	Hardware: Bolt 1.50" L
17	3102806	2	Hardware: Nut 1/4" ID
18	3223809	2	Hardware: Bolt 2.5" L
19	7464701	1	Assembly MTS 150 LB Stack
20	7328616	2	Guide Rod .75 OD Solid X 45.25
21	3242701	2	End Cap
22	3103301	2	Shaft Collar 3/4" ID Zinc

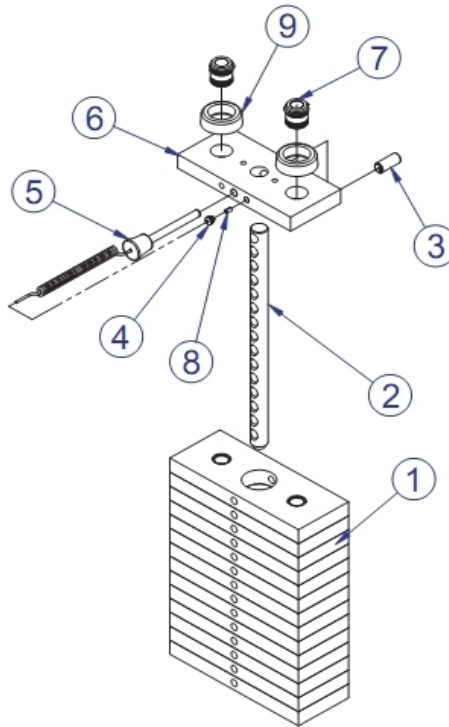
Ref #	Part Number	Qty	Description
23	8046901	1	Assembly MTS Increments Weight
24	7436595	1	Weldment MTS Belt Attach Lh
25	7435295	1	Plate MTS Belt Clamp SG
26	3239503	4	Hardware: Washer 0.375" D
27	3223302	4	Hardware: Bolt 3/8" D
28	7435101	1	Shaft 3/8 Diameter SS Belt Wrap
29	7435701	1	Belt Spooled W 15/16 T .09
30	7465104	2	Shroud MTS Side 44.63 Grey
31	8353505	1	Shroud MTS 44.63 X 12.25
32	0017-00101-1587	2	Hardware: RVT 201X0413X.354 T NY NO
33	7564101	2	Lable MTS
34	H-NAMEPLATE	1	Decal: Name Plate
35	7422004	1	Label 2" ASTM Warning
36	8039501	1	Label Warning Triangle 10-0099-067 BNR
37	M051-00298-A000	1	Decal Increment Weight Right
38	3102807	2	Hardware: Nut 3/8" ID
39	7488701	2	Label Axis Of Rotation
40	6912805	1	Sleeve Accordion 1.0 ID X5.50
41	6912807	1	Sleeve Accrdn 1.0 X 1
-	7529701	1	Assembly MTKC Right Side

Right Work Arm Assembly



Ref #	Part Number	Qty	Description
1	7529201	1	Weldment MTKC Right Arm
2	7436695	1	PLATE MTS BELT CAM ATTACH
3	3239803	2	Hardware: Bolt 3/8" D
4	3102807	2	Hardware: Nut 3/8" ID
5	7477401	2	End Cap
6	7357901	1	Shaft Collar
7	7347301	1	Hardware: Nut 10 MM ID
8	7322301	1	Plate 1.97 OD X .447 ID 10 GA
9	3236204	1	Hardware: Screw 35MM
-	7530001	1	Assembly MTKC Right Arm

150Lb Weight Stack Assembly



Ref #	Part Number	Qty	Description
1	7353701	14	Weight Plate 10 LB
2	7464801	1	Bayonet MTS 15 Hole
3	3236001	1	SpringPin Bushing
4	7356501	1	Plug Lanyard Attachment
5	7353001	1	Hardware: Assembly Selector Pin
6	7434401	1	Head Plate MTS
7	7338001	2	Bushing Headplate
8	7523601	1	Crimp Cable
9	7767601	2	Bumper PS Increment
-	7464701	1	Assembly MTS 150 LB Stack
-	8072101	1	Label MTS Weight Stack 80 KG
-	8072201	1	Label MTS Weight Stack 150 LBS

