

# MTS - Shoulder Press

MTSSP

## Parts Manual

1/5/2019 15:25:40 PM

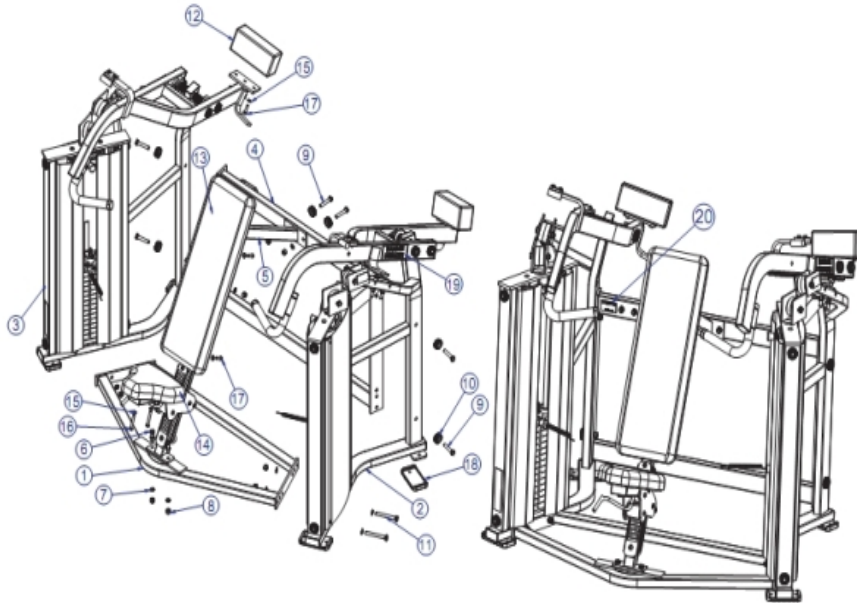


**Table of Contents**

---

[Component Assembly](#).....3  
[Increment Weight Assembly](#).....4  
[Left Arm Assembly](#).....5  
[Left Side Assembly](#).....6  
[Right Arm Assembly](#).....8  
[Right Side Assembly](#).....9  
[Seat Assembly](#).....11  
[Seat Frame Assembly](#).....12  
[Top Frame Assembly](#).....13  
[150Lb Weight Stack Assembly](#).....14

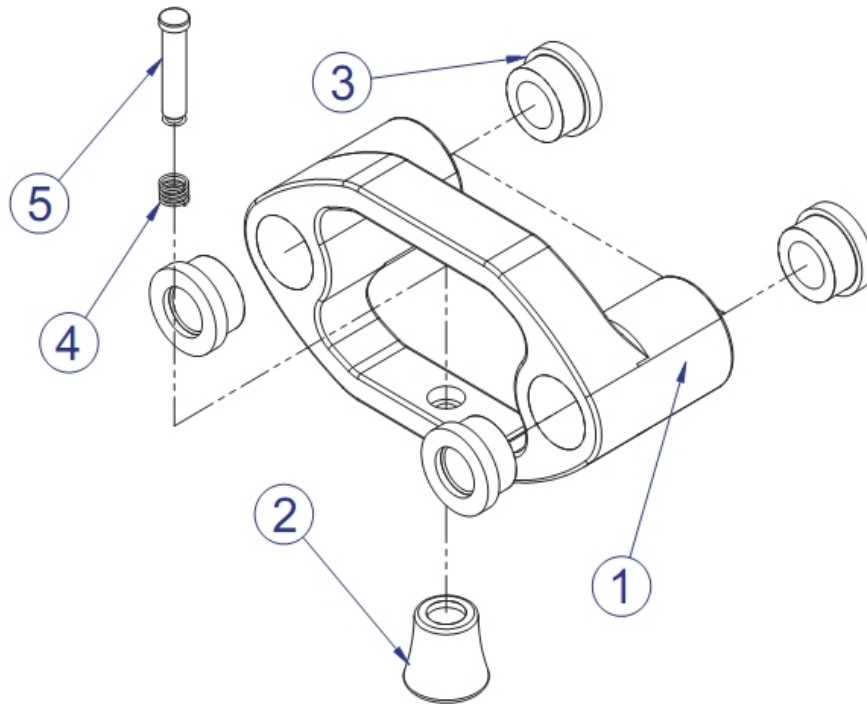
# Component Assembly



Ref #	Part Number	Qty	Description
1	7495701	1	Weldment MTSP Bottom Frame
2	7498201	1	Assembly - MTSP L Side Final
3	7498301	1	Assembly - MTSP R Side Final
4	7498601	1	Assembly - MTSP Back Frame
5	7498701	1	Assembly - MTSP Seat Frame
6	3239307	2	Hardware: Bolt 1.75" L
7	3239505	18	Hardware: Washer 0.5" D
8	3102801	12	Hardware: Nut 1/2" ID
9	3239311	6	Hardware: Bolt 2.75" L
10	7434001	6	Washer MTS Hammer Head
11	3239317	4	Hardware: Bolt 4.25" L
12	7802501	2	Weight Counter LG
13	7354001	1	PAD, BACK 32-1/2 X 11-1/4 BLACK
14	7351901	1	PAD, SADDLE BLACK
15	3273303	10	Hardware: WasherR, 3/8, THRU-HARDENED
16	3236210	2	Hardware: Screw 65MM
17	3236204	8	Hardware: Screw 35MM
18	7388201	4	Footpad PS Rubber
19	H-NAMEPLATE	2	Decal: Name Plate
20	M051-00299-A000	1	Hammer Patent Decal
-	7566801	1	Assembly HARDWARE BAG
-	8046901	1	Assembly MTS Increments Weight

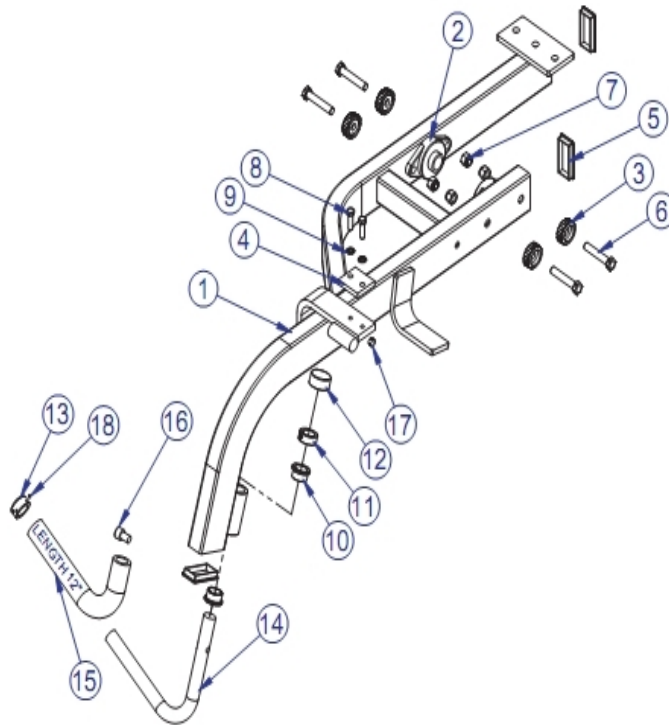
## Increment Weight Assembly

---



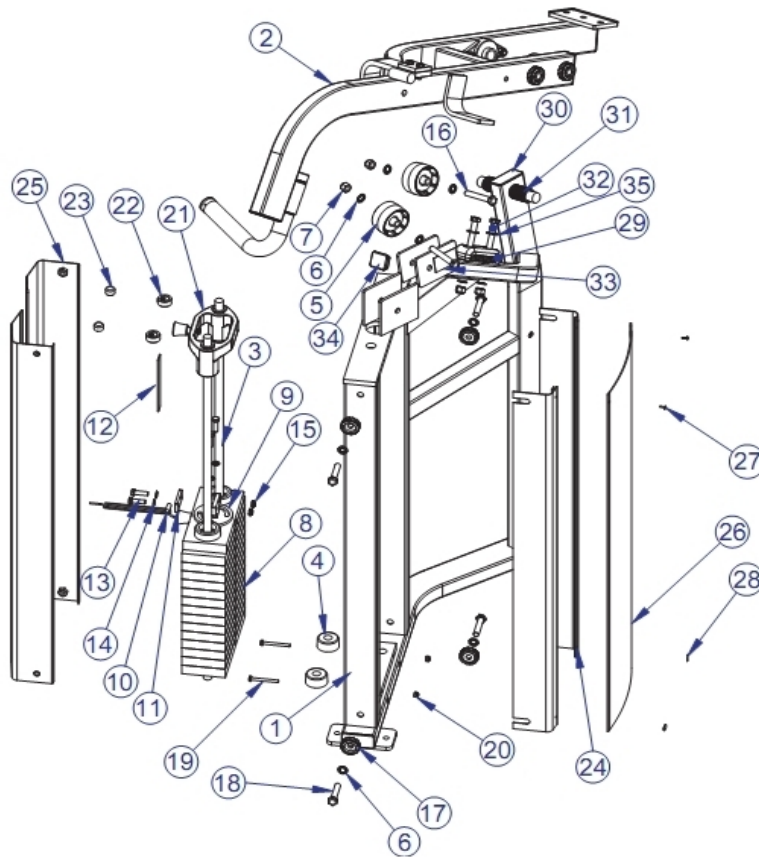
Ref #	Part Number	Qty	Description
2	7351401	1	Knob Tulip Style
3	7560001	4	Bushing MTS Increment Weight
4	7447001	1	Compression Spring
5	7446901	1	Hardware: Pin Retaining
-,1	8046901	2	Assembly MTS Increments Weight

# Left Arm Assembly



Ref #	Part Number	Qty	Description
1	7494801	1	Weldment MTSP L Move Arm
2	3239901	2	Flange Bearing
3	7434001	4	Washer MTS Hammer Head
4	7465095	1	PLATE MTS BELT ATTACH
5	7477401	3	End Cap
6	3239311	4	Hardware: Bolt 2.75" L
7	3102801	4	Hardware: Nut 1/2" ID
8	3223302	2	Hardware: Bolt 3/8" D
9	3239503	2	Hardware: Washer 0.375" D
10	0017-00009-0925	2	Spacer: Flange:1" Strength; Bushing N/D
11	7435301	1	Collar Shaft 1.020 ID
12	3242601	1	End Cap
13	7662902	1	Grip Cap
14	7497601	1	Bshaft MTSP 1 IN Diameter Handle
15	3235802	1	Grip 1.5" OD
16	3243303	1	Hardware: Bolt
17	3237401	1	Plug 7/16" Hole
18	LEA3247701	2	Hardware: Screw
-	7497901	1	Assembly MTSP Left Arm

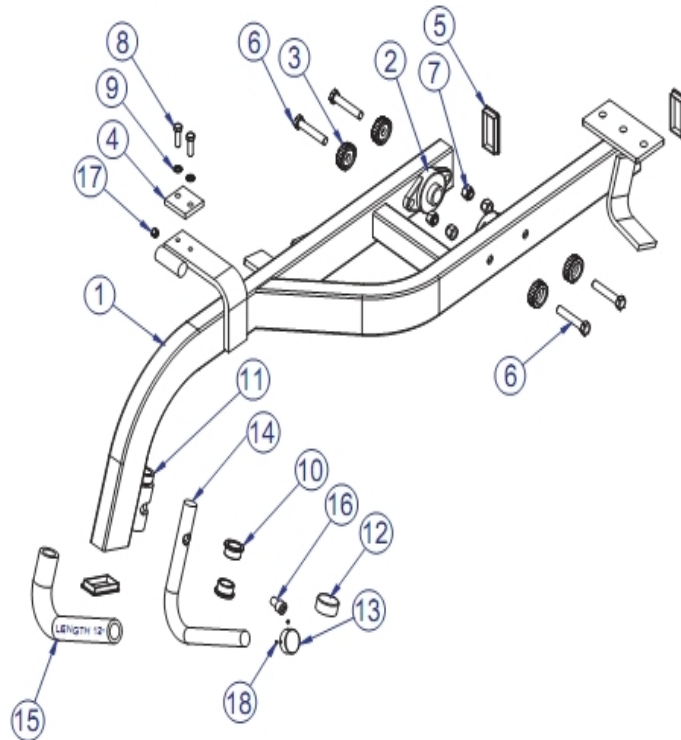
Left Side Assembly



Ref #	Part Number	Qty	Description
1	7496501	1	Weldment MTSP Left Frame
2	7497901	1	Assembly MTSP Left Arm
3	7328610	2	Guide Rod .75 OD Solid X 39.75
4	7352101	2	Cushion Weight Stack
5	7594601	2	Pulley Mts 3 IN Belt
6	3239505	10	Hardware: Washer 0.5" D
7	3102801	4	Hardware: Nut 1/2" ID
8	7464701	1	Assembly MTS 150 LB Stack
9	7434895	1	Weldment MTS Belt Attach SG
10	7435101	1	Shaft 3/8 Diameter SS Belt Wrap
11	7435295	1	Plate MTS Belt Clamp SG
12	7435701	1	Belt Spooled W 15/16 T .09
13	3223302	4	Hardware: Bolt 3/8" D
14	3239503	4	Hardware: Washer 0.375" D
15	3102807	2	Hardware: Nut 3/8" ID
16	3239313	2	Hardware: Bolt 3.25" L
17	7434001	4	Washer MTS Hammer Head
18	3239310	4	Hardware: Bolt .50 " L
19	3223809	2	Hardware: Bolt 2.5" L
20	3102806	2	Hardware: Nut 1/4" ID
21	8046901	1	Assembly MTS Increments Weight
22	3103301	2	Shaft Collar 3/4" ID Zinc

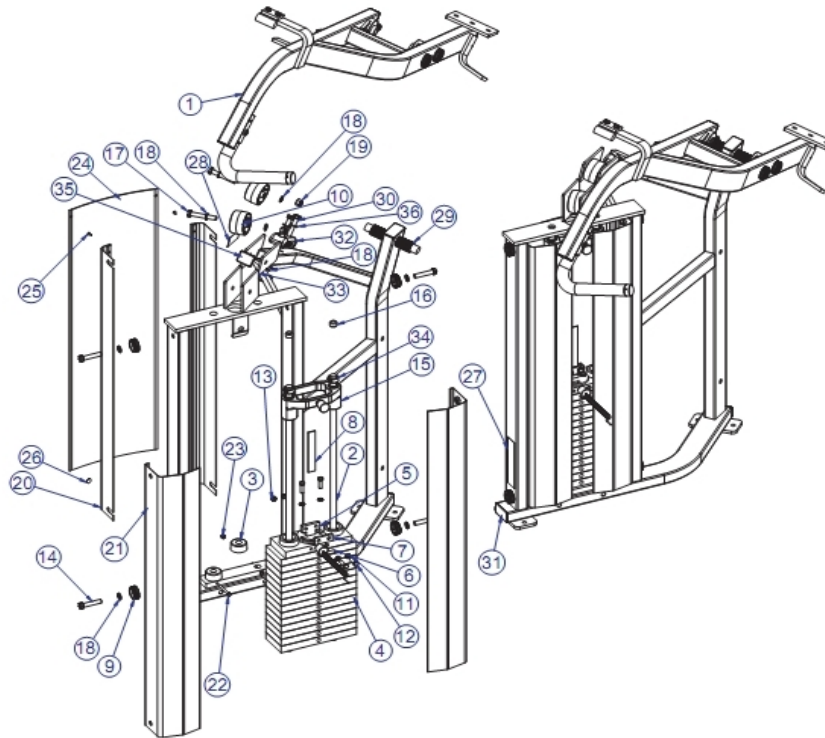
Ref #	Part Number	Qty	Description
23	3242701	2	End Cap
24	7497795	2	Shroud MTSP Panel Side SG
25	7497895	2	Shroud MTS User Side
26	8353504	1	Shroud, MTS 39.25 X 12.25
27	0017-00101-1587	2	Hardware: RVT 201X0413X.354 T NY NO
28	7564101	2	Lable MTS
29	7352001	1	Bumper
30	7477401	3	End Cap
31	6912804	2	Sleeve Accordion 1.0 ID X 2.00
32	3239312	2	Hardware: Bolt 3.00" L
33	8039501	1	Label Warning Triangle 10-0099-067 BNR
34	9217401	1	CAP, 1.5IN X 2IN -10-14GA, END
35	3102507	2	Hardware: Flat Washer 1/2" ID
-	7498201	1	Assembly - MTSP L Side Final

## Right Arm Assembly



Ref #	Part Number	Qty	Description
1	7495601	1	Weldment MTSP R Move Arm
2	3239901	2	Flange Bearing
3	7434001	4	Washer MTS Hammer Head
4	7465095	1	PLATE MTS BELT ATTACH
5	7477401	3	End Cap
6	3239311	4	Hardware: Bolt 2.75" L
7	3102801	4	Hardware: Nut 1/2" ID
8	3223302	2	Hardware: Bolt 3/8" D
9	3239503	2	Hardware: Washer 0.375" D
10	0017-00009-0925	2	Spacer: Flange:1" Strength; Bushing N/D
11	7435301	1	Collar Shaft 1.020 ID
12	3242601	1	End Cap
13	7662902	1	Grip Cap
14	7497601	1	Bshaft MTSP 1 IN Diameter Handle
15	3235802	1	Grip 1.5" OD
16	3243303	1	Hardware: Bolt
17	3237401	1	Plug 7/16" Hole
18	LEA3247701	2	Hardware: Screw
-	7498501	1	Assembly MTSP Right Arm

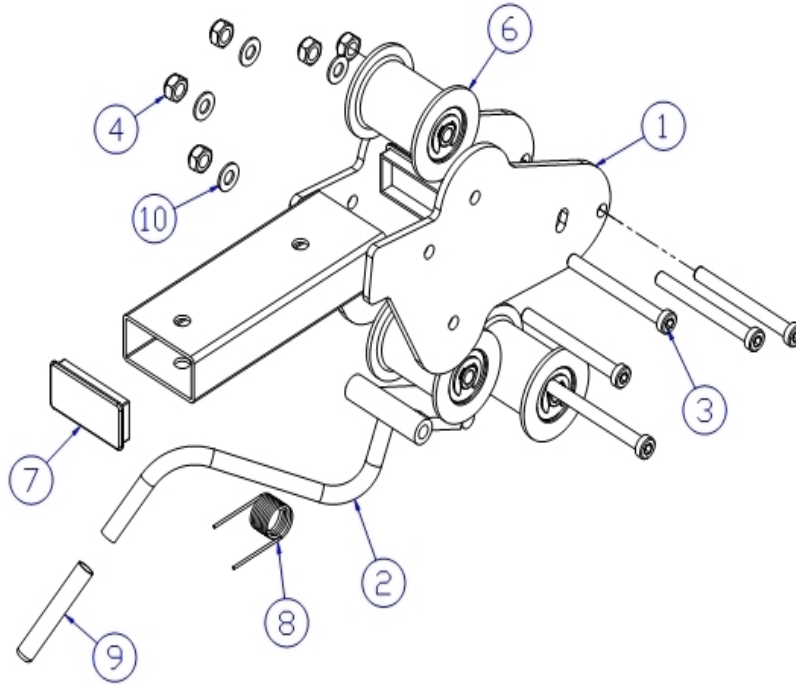
**Right Side Assembly**



Ref #	Part Number	Qty	Description
1	7498501	1	Assembly MTSP Right Arm
2	7328610	2	Guide Rod .75 OD Solid X 39.75
3	7352101	2	Cushion Weight Stack
4	7464701	1	Assembly MTS 150 LB Stack
5	7436595	1	Weldment MTS Belt Attach Lh
6	7435101	1	Shaft 3/8 Diameter SS Belt Wrap
7	7435295	1	Plate MTS Belt Clamp SG
8	7435701	1	Belt Spooled W 15/16 T .09
9	7434001	4	Washer MTS Hammer Head
10	7594601	2	Pulley Mts 3 IN Belt
11	3239503	4	Hardware: Washer 0.375" D
12	3223302	4	Hardware: Bolt 3/8" D
13	3102807	2	Hardware: Nut 3/8" ID
14	3239310	4	Hardware: Bolt .50" L
15	8046901	1	Assembly MTS Increments Weight
16	3242701	2	End Cap
17	3239313	2	Hardware: Bolt 3.25" L
18	3239505	10	Hardware: Washer 0.5" D
19	3102801	4	Hardware: Nut 1/2" ID
20	7497795	2	Shroud MTSP Panel Side SG
21	7497895	2	Shroud MTS User Side
22	3223809	2	Hardware: Bolt 2.5" L

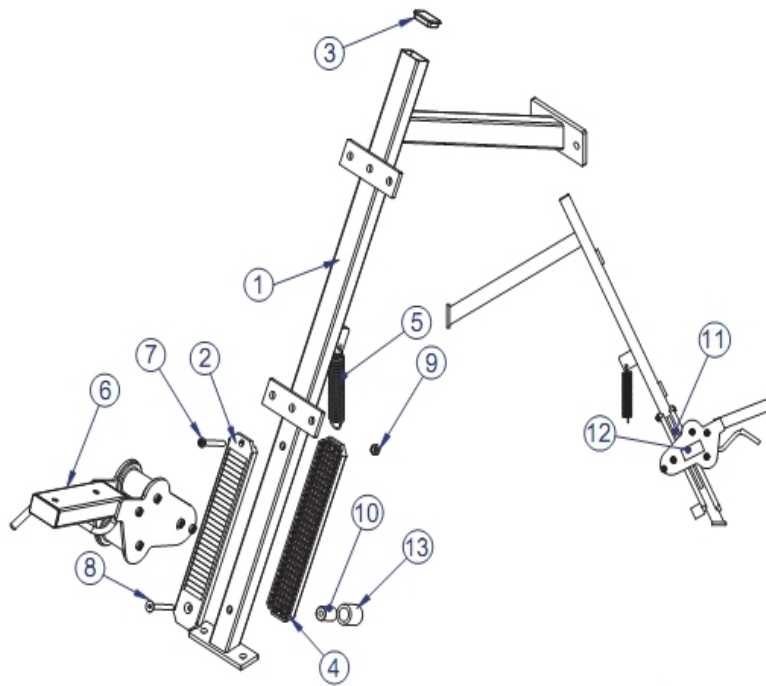
Ref #	Part Number	Qty	Description
23	3102806	2	Hardware: Nut 1/4" ID
24	8353504	1	Shroud, MTS 39.25 X 12.25
25	0017-00101-1587	2	Hardware: RVT 201X0413X.354 T NY NO
26	7564101	2	Lable MTS
27	7422004	1	Label 2" ASTM Warning
28	8039501	1	Label Warning Triangle 10-0099-067 BNR
29	6912804	2	Sleeve Accordion 1.0 ID X 2.00
30	3239312	2	Hardware: Bolt 3.00" L
31	7477401	3	End Cap
32	7352001	1	Bumper
33	7497501	1	Weldment MTSP Right Frame
34	3103301	2	Shaft Collar 3/4" ID Zinc
35	9217401	1	CAP, 1.5IN X 2IN -10-14GA, END
36	3102507	2	Hardware: Flat Washer 1/2" ID
-	7498301	1	Assembly - MTSP R Side Final

**Seat Assembly**



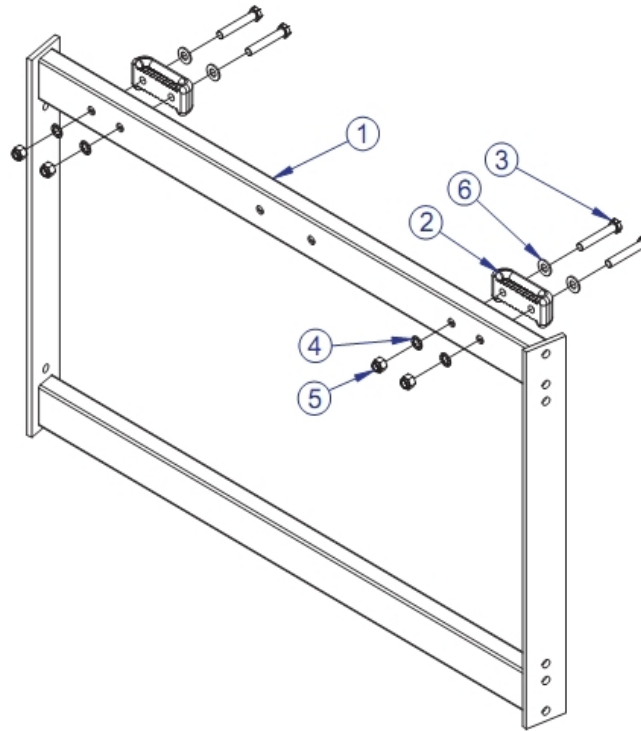
Ref #	Part Number	Qty	Description
1	7436201	1	Weldment MTS 97 Seat
2	8417295	1	Weldment MTS Handle 97 Seat SG
3	3236217	5	Hardware: Screw 100MM
4	3236801	5	Hardware: Nut 10 MM ID
5	3273303	5	Hardware: WasherR, 3/8, THRU-HARDENED
6	7564201	3	Assembly Seat Roller
7	7477401	2	End Cap
8	7442701	1	Spring PRO2 Handle Torsion
9	3238502	1	Cap
-	7436401	1	Assembly MTS 97 Seat

# Seat Frame Assembly



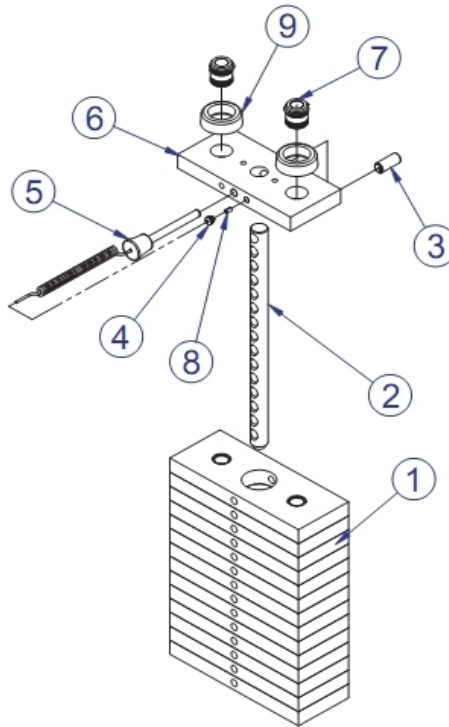
Ref #	Part Number	Qty	Description
1	7496201	1	Weldment MTSP Seat Frame
2	8416801	1	Track Seat - Serrated (20 Slots)
3	9217401	1	CAP, 1.5IN X 2IN -10-14GA, END
4	7564401	1	Seatrack Flat
5	7442601	1	Spring PRO2 Roller Seat
6	7436401	1	Assembly MTS 97 Seat
7	3236211	1	Hardware: Screw 70MM
8	3238312	1	Hardware: Screw 75mm
9	3236801	1	Hardware: Nut 10 MM ID
10	7570601	1	Stop Roller Seat
11	7422002	1	Label Seat Adjust
12	7422001	1	Label Seat Inst
13	3235802	1	Grip 1.5" OD
-	7498701	1	Assembly - MTSP Seat Frame

# Top Frame Assembly



Ref #	Part Number	Qty	Description
1	7494401	1	Weldment MTSP Back Frame
2	7352001	2	Bumper
3	3239312	4	Hardware: Bolt 3.00" L
4	3239505	4	Hardware: Washer 0.5" D
5	3102801	4	Hardware: Nut 1/2" ID
6	3102507	4	Hardware: Flat Washer 1/2" ID
-	7498601	1	Assembly - MTSP Back Frame

# 150Lb Weight Stack Assembly



Ref #	Part Number	Qty	Description
1	7353701	14	Weight Plate 10 LB
2	7464801	1	Bayonet MTS 15 Hole
3	3236001	1	SpringPin Bushing
4	7356501	1	Plug Lanyard Attachment
5	7353001	1	Hardware: Assembly Selector Pin
6	7434401	1	Head Plate MTS
7	7338001	2	Bushing Headplate
8	7523601	1	Crimp Cable
9	7767601	2	Bumper PS Increment
-	7464701	0	Assembly MTS 150 LB Stack
-	8072101	1	Label MTS Weight Stack 80 KG
-	8072201	1	Label MTS Weight Stack 150 LBS

