

Optima Series - Adjustable Bench

OSADJ

Parts Manual

1/5/2019 15:29:59 PM

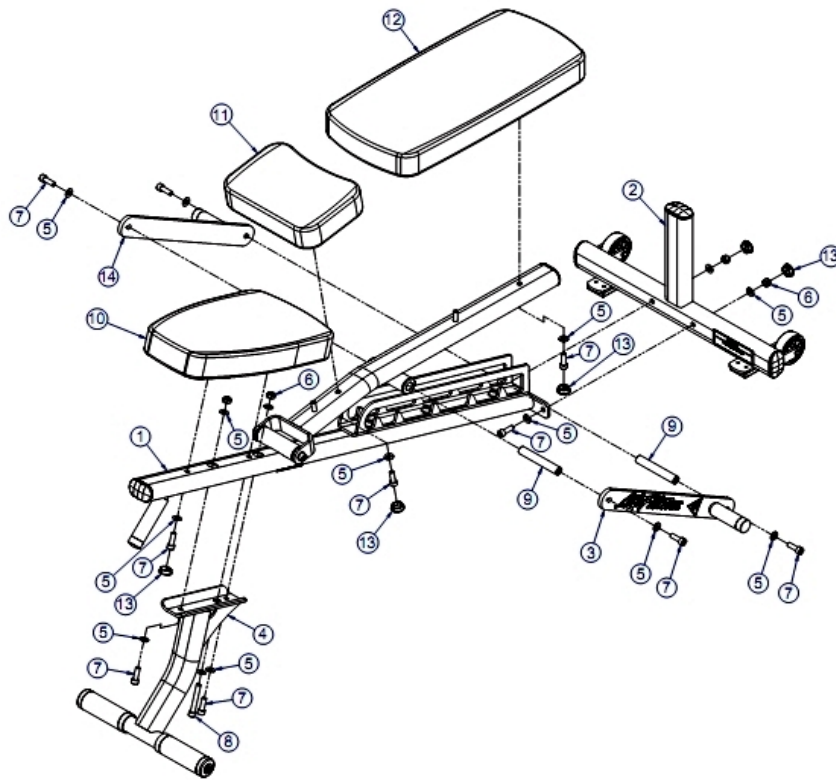


Table of Contents

[Component Assembly](#).....3
[Front Foot Assembly](#).....4
[Hardware](#).....5
[Left Handle Assembly](#).....6
[Rear Foot Assembly](#).....7
[Right Handle Assembly](#).....8
[Seat Frame Assembly](#).....9

** Upholstery & Frame Colors are listed at the end of the Parts Manual **

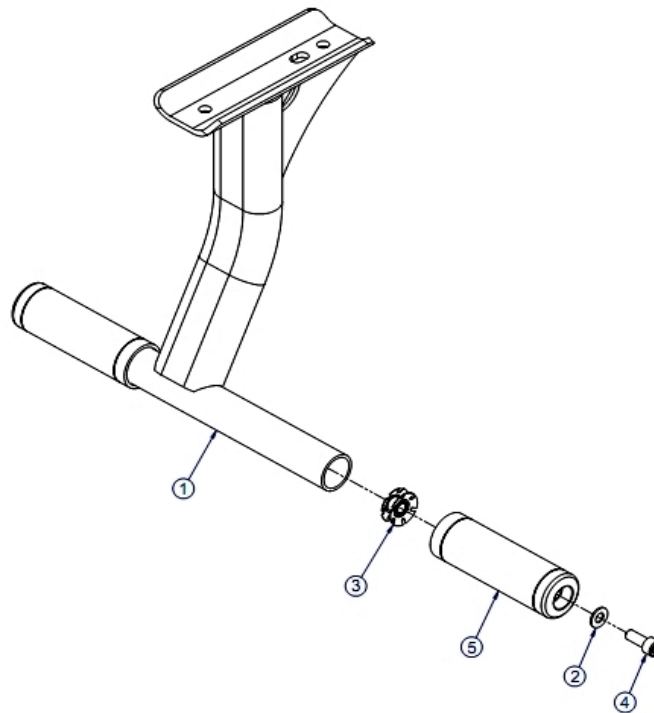
Component Assembly



Ref #	Part Number	Qty	Description
1	8457902	1	Assembly, OSADJ, Seat Plate
2	8458002	1	Assembly, OSADJ, Rear Foot Plate
3	8458202	1	Assembly, OSADJ, Handle, Left - Plate
4	8494402	1	Assembly, OSADJ, Front Foot Plate
5	3102514	18	Hardware: Flat Washer 3/8" ID
6	LEA3242002	4	Hardware: Hex Nut 10MM D
7	3251703	13	Hardware: Screw 30MM
8	3251711	1	Hardware: Screw 70MM
9	8452602	2	Shaft
10	8455499	1	Pad, Tapered Seat Custom
11	8455599	1	Pad, Lumbar, Flat Custom
12	8455699	1	Pad, Back, Flat Custom
13	3237403	7	Plug 1" Hole
14	8902602	1	ASSY, OSADJ, HANDLE, RT -PLT

** Upholstery and Frame Colors are list at the end of the Parts Manual **

Front Foot Assembly



Ref #	Part Number	Qty	Description
1	8494502	1	Weldment, OSADJ, Front Foot Plate
2	3102514	2	Hardware: Flat Washer 3/8" ID
3	7347301	2	Hardware: Nut 10 MM ID
4	LEA3251702	2	Screw; M10 X1.5 25MM
5	7800101	2	Grip 1.50 ID Foot

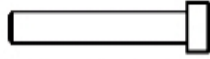
** Upholstery and Frame Colors are list at the end of the Parts Manual **

Hardware

OSADJ HARDWARE BAG: OSADJ-HDWR



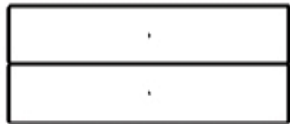
ASSY, OSADJ, HARDWARE
REV.C3



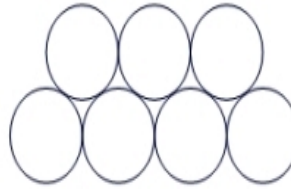
3251712 SCREW, M10X1.5X75, 8.8 (1Pcs)



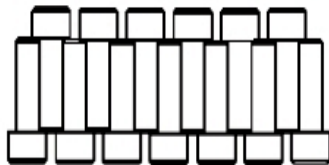
3242002 NUT, M10X1.5 HEX NYLOCK (4Pcs)



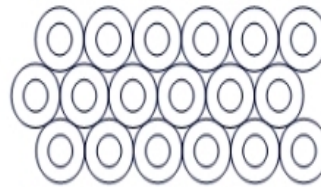
8452602 SHAFT, 19MM DIAx119.55 (2Pcs)



3237403 PLUG, 1" HOLE (7Pcs)



3251703 SCREW, M10X1.5X30 (13Pcs)

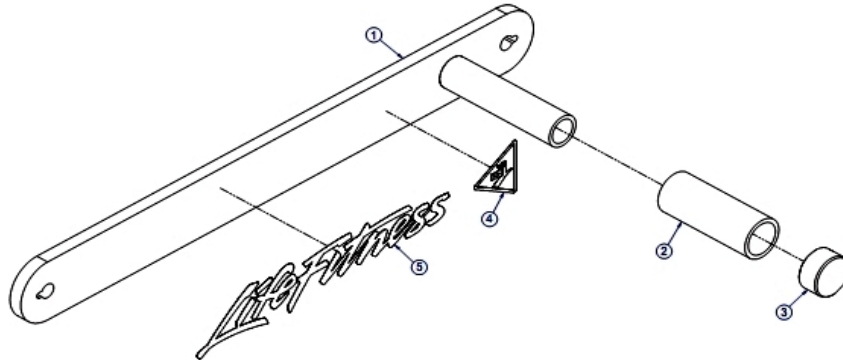


3102514 WASHER, FLAT 3/8 SAE ST (18 Pcs)

Ref #	Part Number	Qty	Description
-	OSADJ-KIT	1	Hardware: Assembly, OSADJ, Component Kit
-	8455601	1	Pad, Back, Flat Black
-	8455401	1	Pad, Tapered Seat Black
-	8549501	1	NLA: MANUAL, OSADJ, ASSY. INST.
-	8455501	1	Pad, Lumbar, Flat Black
-	OSADJ-HDWR	1	Assembly, OSADJ Hardware Bag
-	8670001	1	NLA: MANUAL, OS, OWNERS

** Upholstery and Frame Colors are list at the end of the Parts Manual **

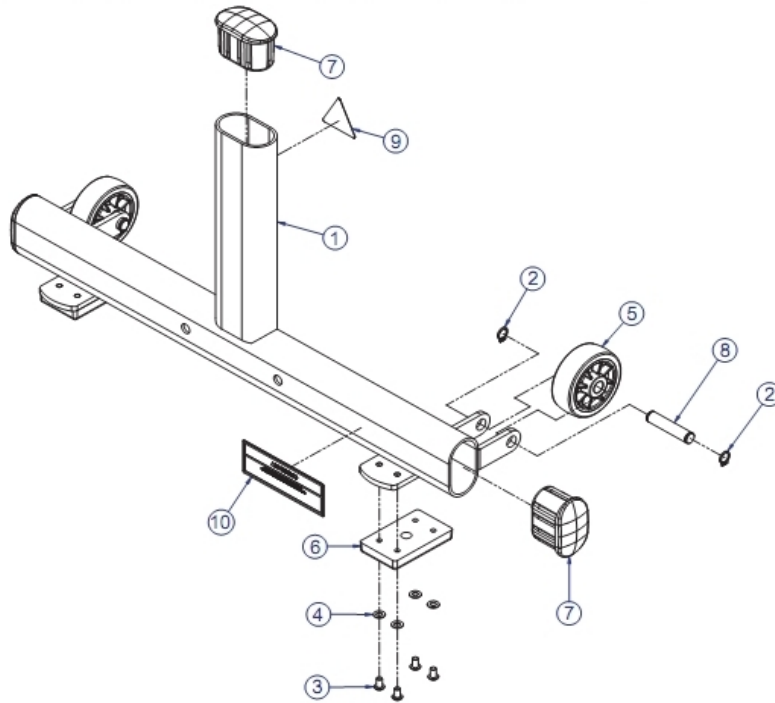
Left Handle Assembly



Ref #	Part Number	Qty	Description
1	8458202	1	Assembly, OSADJ, Handle, Left - Plate
2	3235801	1	Grip - 1.25" OD
3	7662901	1	Grip Cap
4	8039501	1	Label Warning Triangle 10-0099-067 BNR
5	7865201	1	Label Life Fitness Logo

** Upholstery and Frame Colors are list at the end of the Parts Manual **

Rear Foot Assembly



Ref #	Part Number	Qty	Description
1	8445102	1	Weldment, OSADJ, Foot Plate
2	3243902	4	Ring12 MM
3	3252802	8	M6-1.0 X 10 HXS BUT CS ST ZN
4	3264101	8	Hardware: Washer
5	0K59-01164-0000	2	Wheel: 3.0 OD X .50 ID Overmold
6	7810801	2	Rubber Foot Pad
7	7800501	3	Small Cap
8	8254001	2	Axle TCWHL
9	8039501	1	Label Warning Triangle 10-0099-067 BNR
10	8137701	1	Warning Label - Multi-Language Horizontal

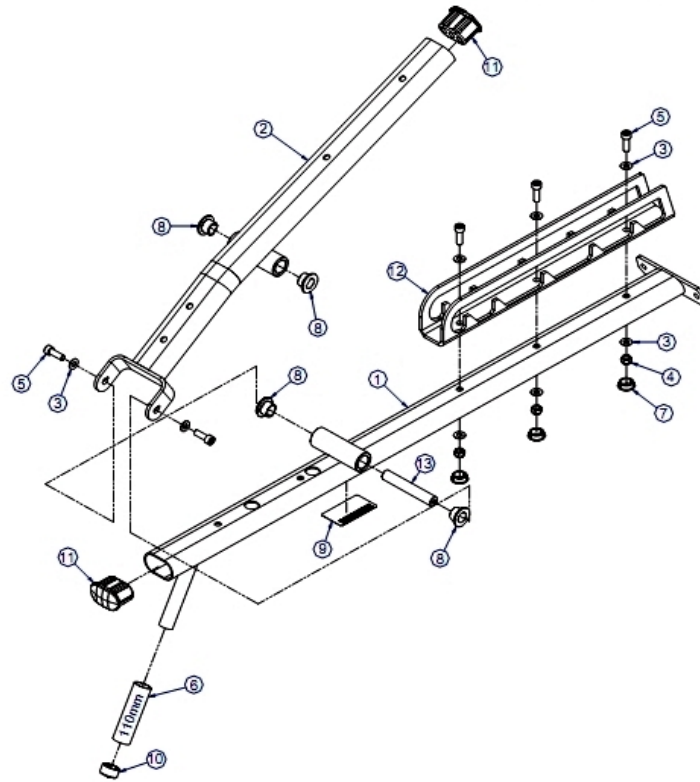
** Upholstery and Frame Colors are list at the end of the Parts Manual **

Right Handle Assembly

Ref #	Part Number	Qty	Description
1	8902602	1	ASSY, OSADJ, HANDLE, RT -PLT
2	3235801	1	Grip - 1.25" OD
3	7662901	1	Grip Cap
4	8039501	1	Label Warning Triangle 10-0099-067 BNR
5	7865201	1	Label Life Fitness Logo

** Upholstery and Frame Colors are list at the end of the Parts Manual **

Seat Frame Assembly



Ref #	Part Number	Qty	Description
1	8445002	1	Weldment, OSADJ, Seat Plate
2	8445202	1	Weldment, OSADJ, Back Plate
3	3102514	8	Hardware: Flat Washer 3/8" ID
4	LEA3242002	3	Hardware: Hex Nut 10MM D
5	3251703	5	Hardware: Screw 30MM
6	3235801	1	Grip - 1.25" OD
7	3237403	3	Plug 1" Hole
8	3266603	4	Bearing Flange 19MM
9	7571301	1	Label Serial Number
10	7662901	1	Grip Cap
11	7800501	2	Small Cap
12	8445401	1	Bracket, OSADJ, Gun Rack
13	8452602	1	Shaft

** Upholstery and Frame Colors are list at the end of the Parts Manual **

Frame and Upholstery Color Chart

Frame Colors



Note: Include frame color in order notes when ordering frame assemblies or weldments.

Upholstery Colors



Replace '99' with the above color suffix when ordering pads (i.e. 7412399 = 7412301 BLACK)

