

Optima Series - LAT Pulldown/Low Row

OSLR

Parts Manual

1/5/2019 15:34:16 PM

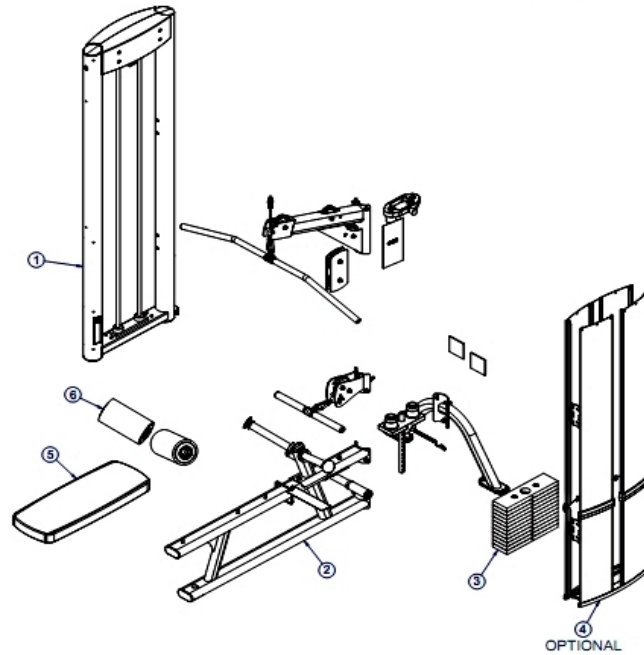


Table of Contents

Component Assembly	3
Floating Pulley Assembly	4
Foot Support Assembly	5
Frame Box Assembly	6
Hardware Bag 1	8
Hardware Bag 2	10
Head Plate Assembly	11
Incremental Weight Assembly	12
Lat Bar Assembly	13
Multi-Language Sheets	14
Optional Shroud Assembly	15
Placards	16
Roller Pad Assembly	17
Row Bar Assembly	18
Seat Frame Assembly	19
Stabilizer Assembly	20
Top Assembly	21
Tower Assembly	22
V-Groove Pulley Assembly	23

** Upholstery & Frame Colors are listed at the end of the Parts Manual **

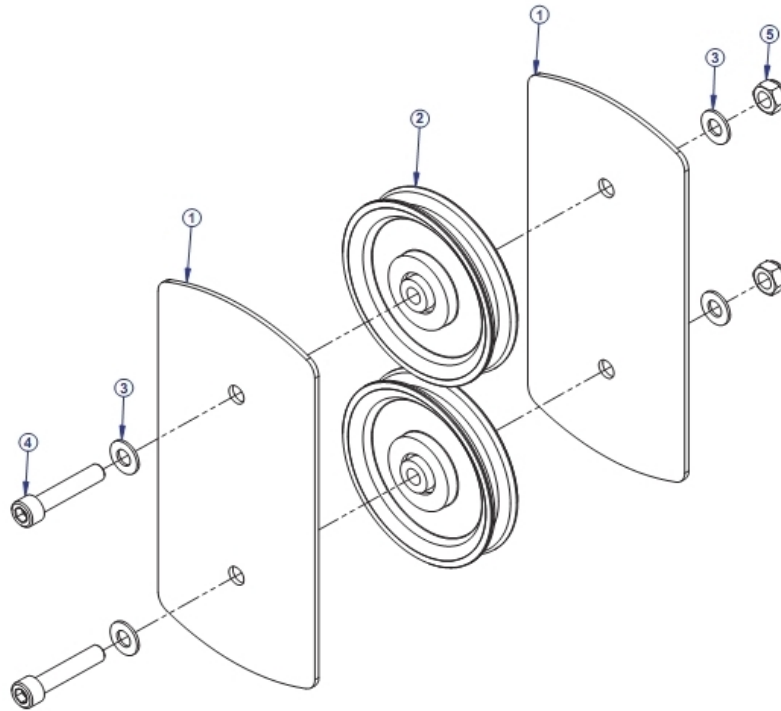
Component Assembly



Ref #	Part Number	Qty	Description
1	8776902	1	NLA: ASSY, TOWER BOX, OSLR PLT
2	8777002	1	ASSY, FRAME BOX, OSLR - PLT
3	7353801	12	Weight Plate 15 LB
4	8829401	1	OSLR, Shroud Kit
5	8828399	1	Pad, Flat, 30 Inch, Custom
6	7424799	2	ASSY, ROLLER PAD SHORT Custom

** Upholstery and Frame Colors are list at the end of the Parts Manual **

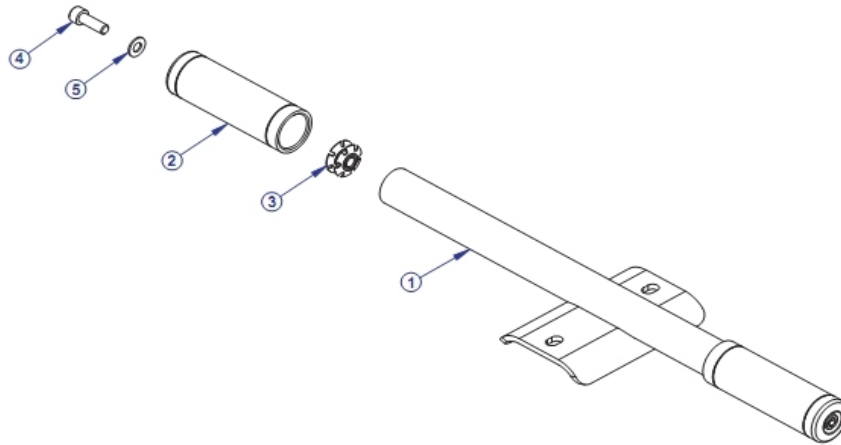
Floating Pulley Assembly



Ref #	Part Number	Qty	Description
1	8674702	2	PLATE, FLOATING PULLEY PLT
2	3237801	2	Pulley 4.5" OD
3	3102514	4	Hardware: Flat Washer 3/8" ID
4	3251707	2	Hardware: Screw 50MM
5	LEA3242002	2	Hardware: Hex Nut 10MM D

** Upholstery and Frame Colors are list at the end of the Parts Manual **

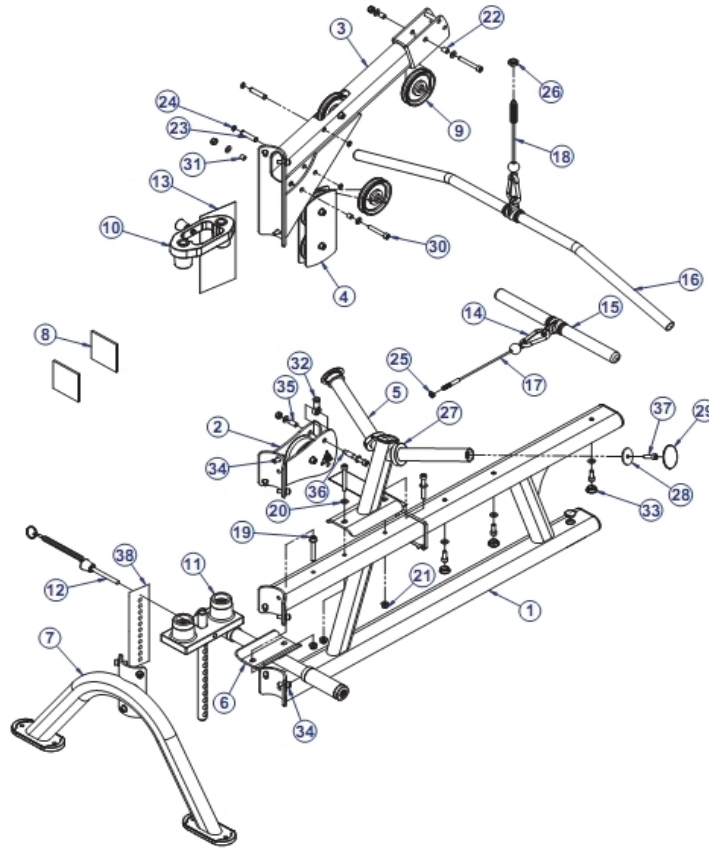
Foot Support Assembly



Ref #	Part Number	Qty	Description
1	8818202	1	WLDMT, FOOT SUPPORT, PLT
2	7800101	2	Grip 1.50 ID Foot
3	7347301	2	Hardware: Nut 10 MM ID
4	3251703	2	Hardware: Screw 30MM
5	3102514	2	Hardware: Flat Washer 3/8" ID

** Upholstery and Frame Colors are list at the end of the Parts Manual **

Frame Box Assembly



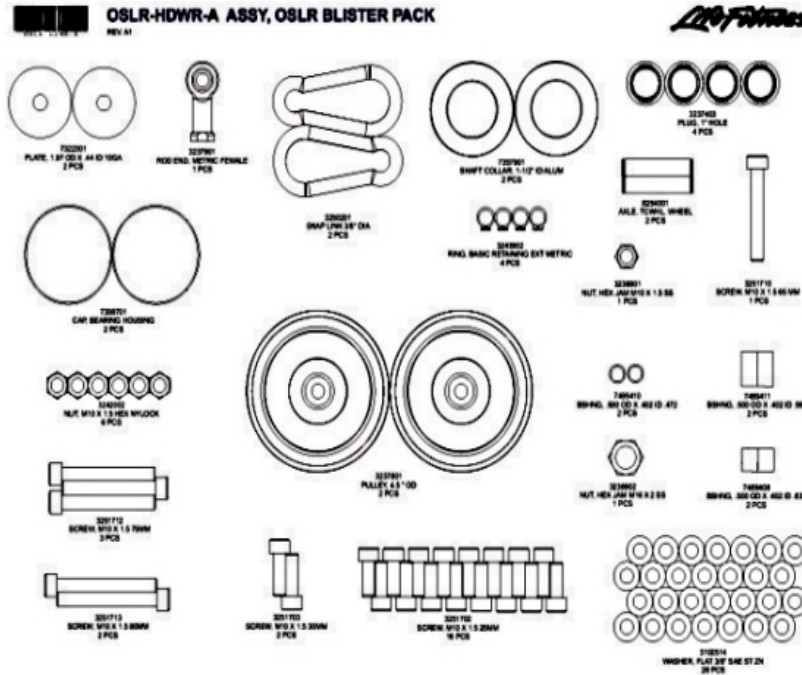
Ref #	Part Number	Qty	Description
1	8814702	1	PTD ASSY, SEAT FRAME, PLT
2	8774902	1	PTD ASSY, V GROOVE PULLEY SUPPORT, PLT
3	8774402	1	PTD ASSY, OSLR TOP, PLT
4	8674602	1	Painted Assembly, Floating Pulley
5	8827702	1	PTD ASSY, ROLLER PAD, OSLR, PLT
6	8818302	1	PTD ASSY, FOOT SUPPORT, PLT
7	8813602	1	PTD ASSY, STABILIZER, BENDED, PLT
8	8867401	2	PLATE, SHIM, OSLR
9	3237801	2	Pulley 4.5" OD
10	8504301	1	Assembly, Increment Weight, 7 LB
11	8505601	1	Assembly, OS Head Plate, 12 Plate
12	8506101	1	Assembly, Selector Pin
13	8766210	1	Label, OSLR, Placard
14	3250201	2	Snap Link 3/8" D
15	1001824-0001	1	ASSY, STRAIGHT BAR, REV
16	7442301	1	Painted Assembly Lat Bar
17	9496301	1	CABLE, OSLR, ROW
18	8656401	1	Cable, OSLR, Tower
19	3251712	3	Hardware: Screw 75MM
20	3102514	28	Hardware: Flat Washer 3/8" ID
21	LEA3242002	6	Hardware: Hex Nut 10MM D
22	7489408	2	BSHNG, .500 OD X .402 ID X 0.638

Ref #	Part Number	Qty	Description
23	8254001	2	Axle TCWHL
24	3243902	4	Ring12 MM
25	3236901	1	Hardware: Nut Hex Jam 10 MM
26	3236902	1	Hardware: Nut 16 MM ID
27	7357901	2	Shaft Collar
28	7322301	2	Plate 1.97 OD X .447 ID 10 GA
29	7308701	2	Cap Bearing Housing
30	3251710	1	Hardware: Screw 65MM
31	7489410	2	BSHNG, .500 OD X .402 ID X 0.472
32	3237901	1	Rod End Metric Female
33	3237403	4	Plug 1" Hole
34	LEA3251702	16	Screw; M10 X1.5 25MM
35	7489411	2	BSHNG, .500 OD X .402 ID X 0.969
36	3251713	2	M10 X 1.5 X 80 HXS SOC CS ST ZN
37	3251703	2	Hardware: Screw 30MM
38	8769601	1	Label, Weight Stack, 13 Plate

** Upholstery and Frame Colors are list at the end of the Parts Manual **

Hardware Bag 1

OSLR HARDWARE BAG:

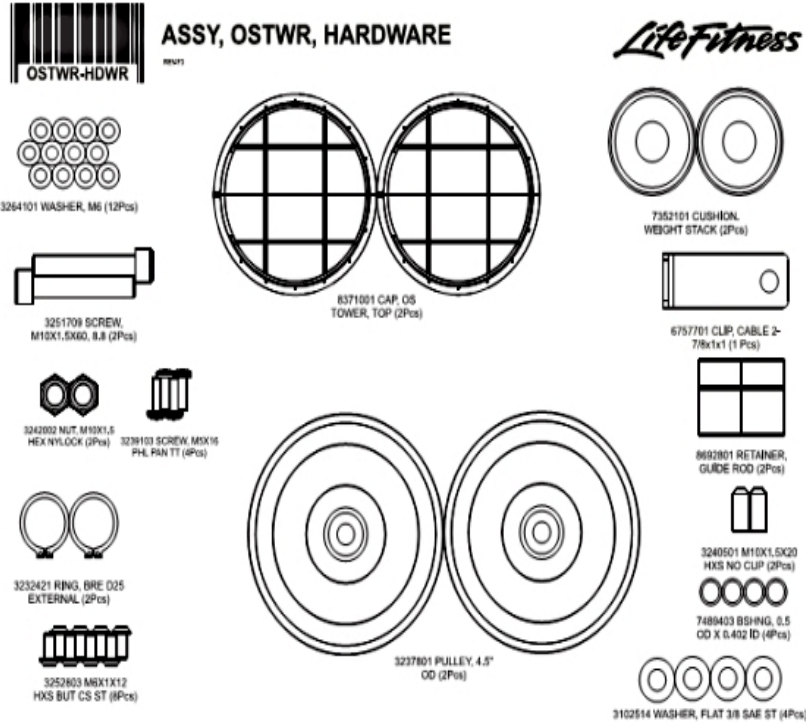


Ref #	Part Number	Qty	Description
-	3237403	4	Plug 1" Hole
-	3251712	3	Hardware: Screw 75MM
-	3102514	28	Hardware: Flat Washer 3/8" ID
-	LEA3251702	16	Screw; M10 X1.5 25MM
-	8254001	2	Axle TCWHL
-	3237801	2	Pulley 4.5" OD
-	3243902	4	Ring 12 MM
-	7489408	2	BSHNG, .500 OD X .402 ID X 0.638
-	7489411	2	BSHNG, .500 OD X .402 ID X 0.969
-	3236902	1	Hardware: Nut 16 MM ID
-	7308701	2	Cap Bearing Housing
-	LEA3242002	6	Hardware: Hex Nut 10MM D
-	3251710	1	Hardware: Screw 65MM
-	3251713	2	M10 X 1.5 X 80 HXS SOC CS ST ZN
-	3236901	1	Hardware: Nut Hex Jam 10 MM
-	3250201	2	Snap Link 3/8" D
-	7357901	2	Shaft Collar
-	7489410	2	BSHNG, .500 OD X .402 ID X 0.472
-	3237901	1	Rod End Metric Female
-	7322301	2	Plate 1.97 OD X .447 ID 10 GA
-	3251703	2	Hardware: Screw 30MM

** Upholstery and Frame Colors are list at the end of the Parts Manual **

Hardware Bag 2

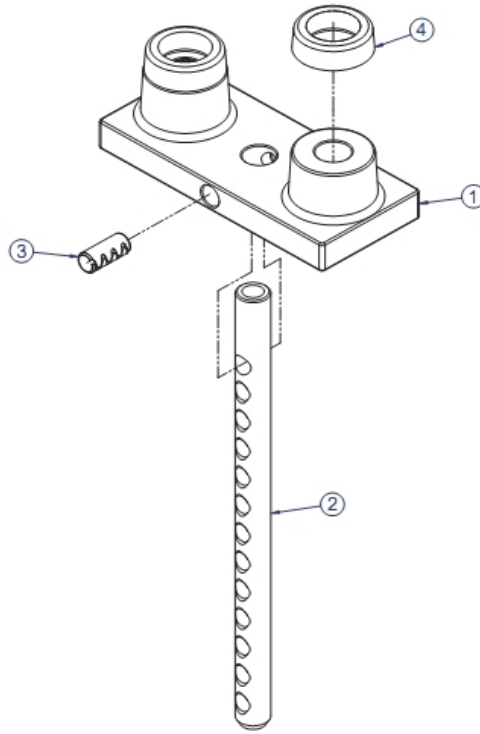
TOWER HARDWARE BAG: OSTWR-HDWR



Ref #	Part Number	Qty	Description
-	3102514	2	Hardware: Flat Washer 3/8" ID
-	3232421	2	Retaining Ring 0.940" D
-	3264101	8	Hardware: Washer
-	8692801	1	Retainer, Guide Rod, Short
-	8766311	1	Label, OSPD, Multi Lang Sheet
-	8692802	1	Retainer, Guiderod, Long
-	OSLRTWR-HDWR-A	1	ASSY, OSLR TOWER BLISTER PACK
-	7352101	2	Cushion Weight Stack
-	3240501	2	Set Screw
-	3237801	1	Pulley 4.5" OD
-	6757701	1	Cable Clip
-	OSLR-HDWR-A	1	ASSY, OSLR BLISTER PACK
-	8766312	1	Label, OSRW, Multi Lang Sheet
-	LEA3242002	1	Hardware: Hex Nut 10MM D
-	3252803	8	M6-1.0 X 12 HXS BUT CS ST ZN
-	8371001	2	Cap, OS Tower, Top
-	3251709	1	Hardware: Screw 60MM
-	7489403	2	Bushing, .500 OD X .402 ID X .272

** Upholstery and Frame Colors are list at the end of the Parts Manual **

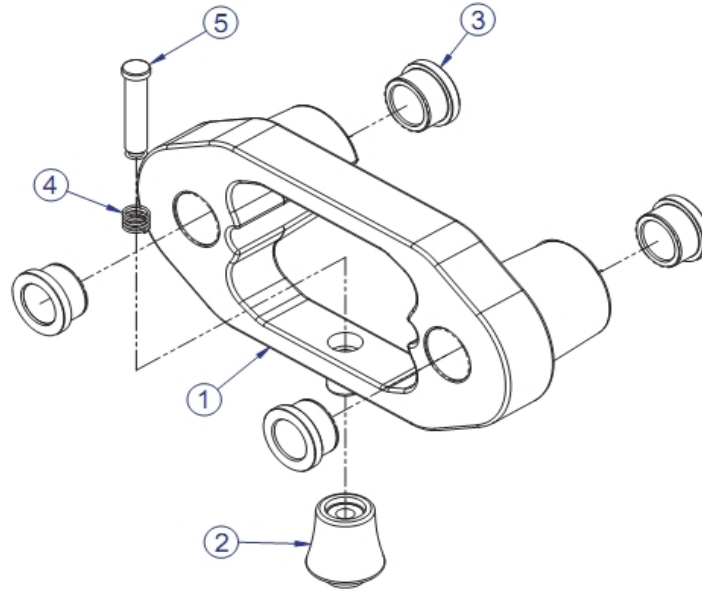
Head Plate Assembly



Ref #	Part Number	Qty	Description
1	8664101	1	Assembly, OS, Head Plate
2	8331701	1	Bayonet, OS, 12 Plate
3	3236001	1	SpringPin Bushing
4	7767601	2	Bumper PS Increment

** Upholstery and Frame Colors are list at the end of the Parts Manual **

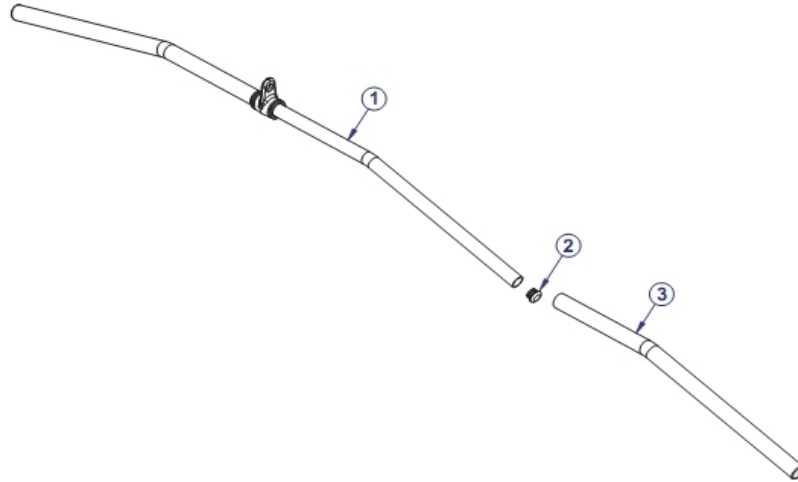
Incremental Weight Assembly



Ref #	Part Number	Qty	Description
1	8504201	1	BODY, INCREMENT WEIGHT, 7 LB
2	8048001	1	Knob Tulip Style
3	8045001	4	BEARING Increment Weight
4	7447001	1	Compression Spring
5	7446901	1	Hardware: Pin Retaining

** Upholstery and Frame Colors are list at the end of the Parts Manual **

Lat Bar Assembly

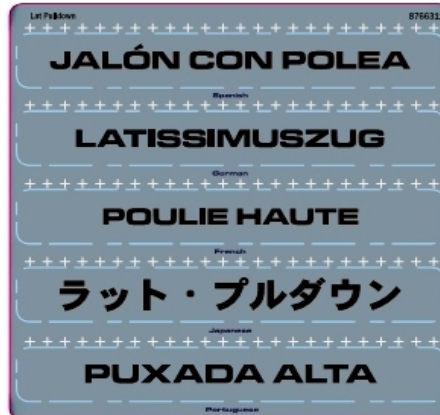


Ref #	Part Number	Qty	Description
2	3235801	2	Grip - 1.25" OD
3	7662901	2	Grip Cap
16	7442301	1	Painted Assembly Lat Bar

** Upholstery and Frame Colors are list at the end of the Parts Manual **

Multi-Language Sheets

8766311
PULLDOWN



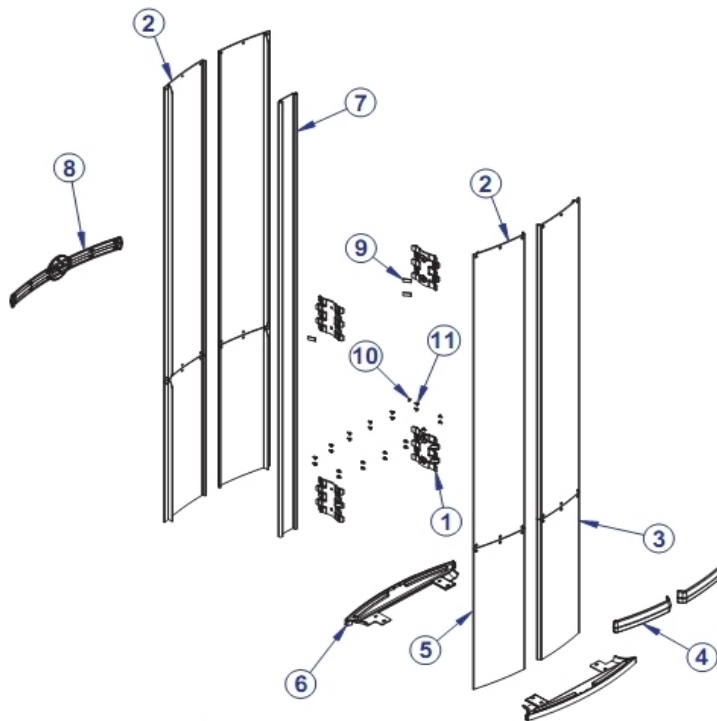
8766312
LOW ROW



Ref #	Part Number	Qty	Description
1	8766312	1	Label, OSRW, Multi Lang Sheet
1	8766311	1	Label, OSPD, Multi Lang Sheet

** Upholstery and Frame Colors are list at the end of the Parts Manual **

Optional Shroud Assembly

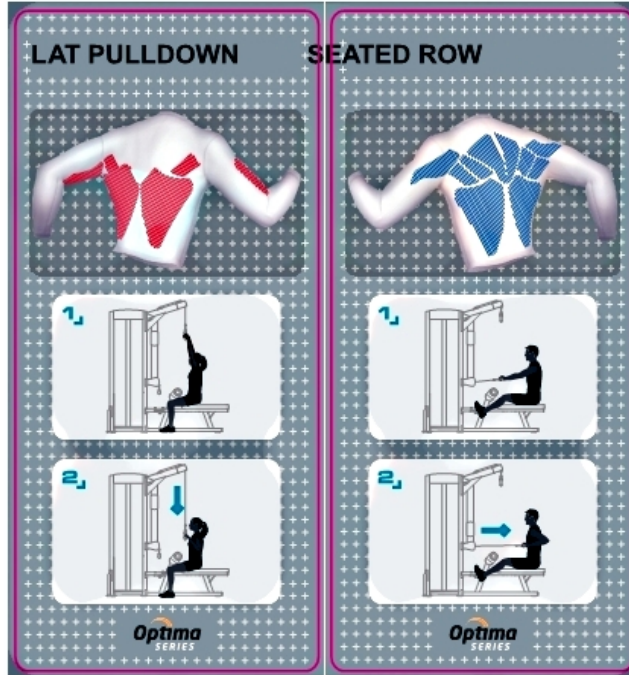


Ref #	Part Number	Qty	Description
1	8371201	4	Clip, OS Tower
2	8370801	4	Shroud, OS Tower
3	8370813	2	Shroud, OSLR Tower, Front Right
4	8532801	2	Belt, OS, Front Shroud
5	8370803	2	Shroud, OSLR Tower, Front Left
6	8371301	2	Cover, OS Tower, Bottom
7	8370903	1	Shroud, OSLR Tower, Center
8	8532901	1	Belt, OS, Rear Shroud
9	8682601	24	Tape, Non-Skid, Clear
10	3265301	24	Washer, M4
11	3226001	24	6-20 X 6 PHI PAN PLT ST BZ

** Upholstery and Frame Colors are list at the end of the Parts Manual **

Placards

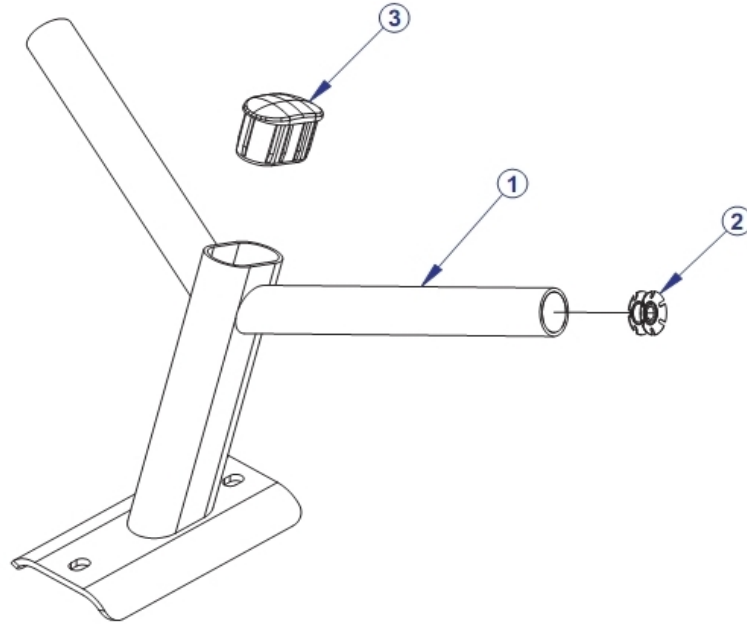
PLACARD ARTWORK



Ref #	Part Number	Qty	Description
1	8766210	1	Label, OSLR, Placard

** Upholstery and Frame Colors are list at the end of the Parts Manual **

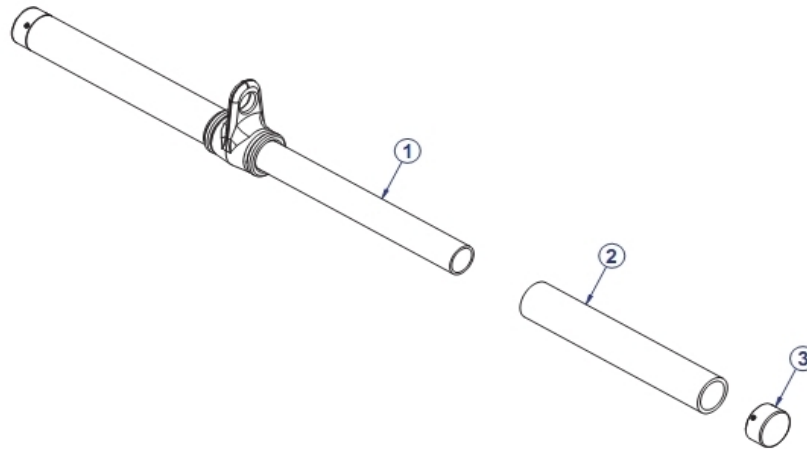
Roller Pad Assembly



Ref #	Part Number	Qty	Description
1	8827602	1	WLDMT, ROLLER PAD, OSLR, PLT
2	7347301	2	Hardware: Nut 10 MM ID
3	7800501	1	Small Cap

** Upholstery and Frame Colors are list at the end of the Parts Manual **

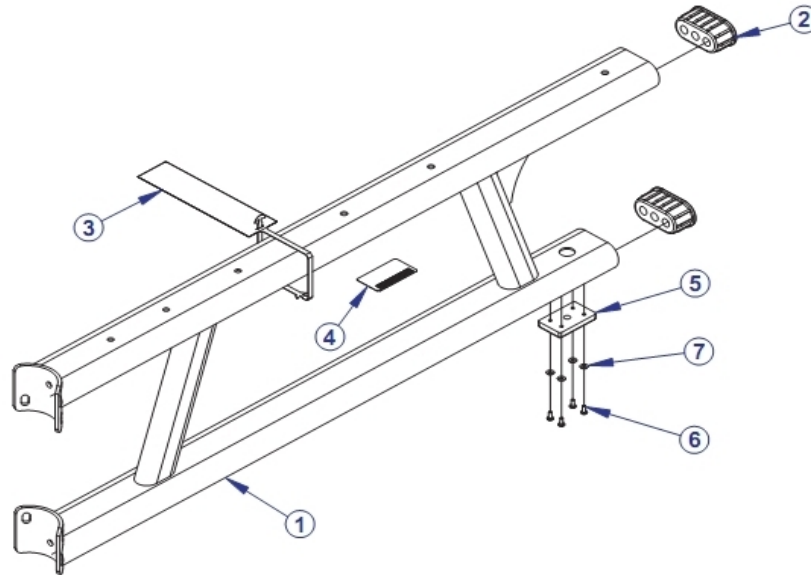
Row Bar Assembly



Ref #	Part Number	Qty	Description
2	3235801	2	Grip - 1.25" OD
3	7662901	2	Grip Cap
15	1001824-0001	1	ASSY, STRAIGHT BAR, REV

** Upholstery and Frame Colors are list at the end of the Parts Manual **

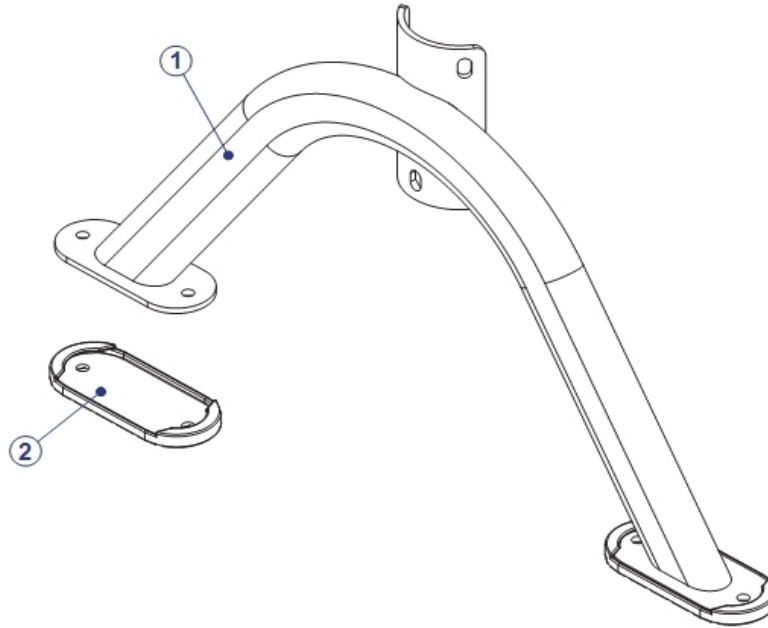
Seat Frame Assembly



Ref #	Part Number	Qty	Description
1	8775402	1	WLDMT, OSLR, SEAT FRAME, PLT
2	8012901	2	End Cap FLOV
3	8343101	1	Tag - Bolt To Floor
4	7571301	1	Label Serial Number
5	7810801	1	Rubber Foot Pad
6	LEA3239102	4	Hardware: Screw
7	3114407	4	Hardware: Flat Washer

** Upholstery and Frame Colors are list at the end of the Parts Manual **

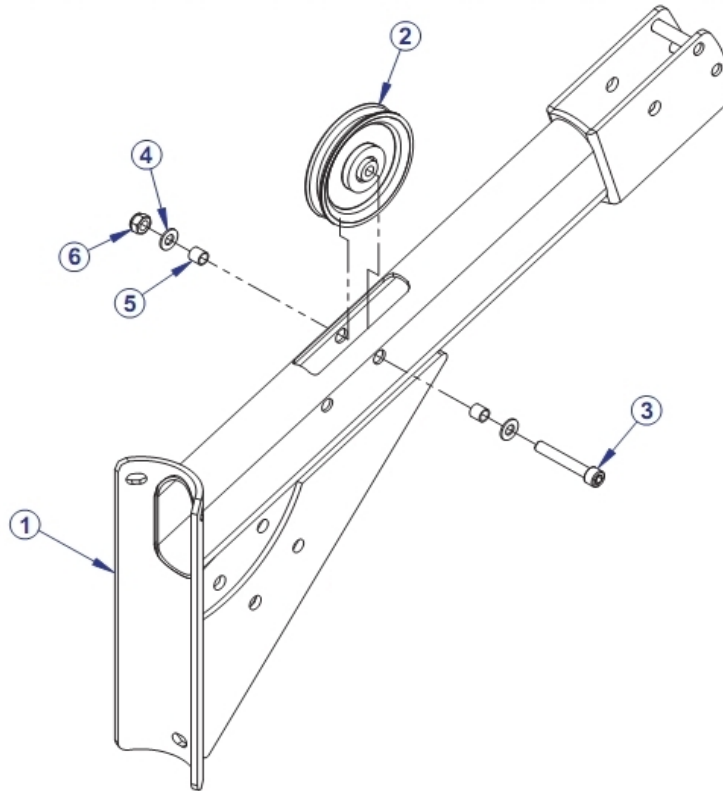
Stabilizer Assembly



Ref #	Part Number	Qty	Description
1	8777302	1	WLDMT, OSLR, STABILIZER, PLT
2	8474501	2	Foot, Optima

** Upholstery and Frame Colors are list at the end of the Parts Manual **

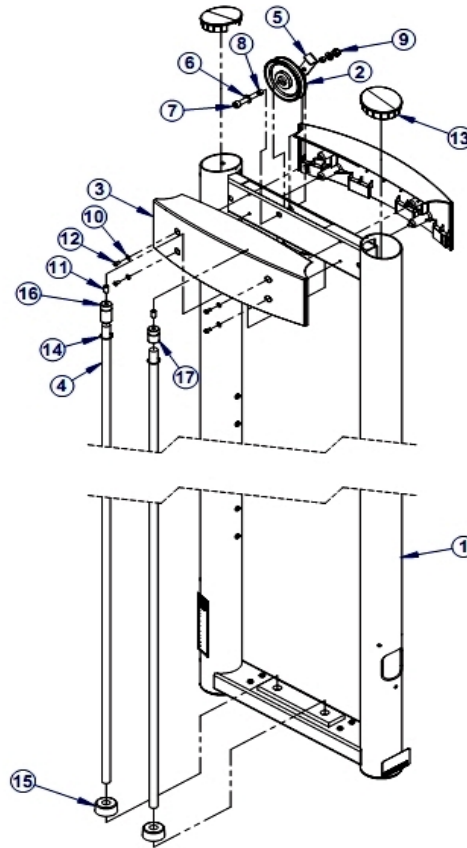
Top Assembly



Ref #	Part Number	Qty	Description
1	8774302	1	WLDMT, OSLR TOP, PLT
2	3237801	1	Pulley 4.5" OD
3	3251710	1	Hardware: Screw 65MM
4	3102514	2	Hardware: Flat Washer 3/8" ID
5	7489410	2	BSHNG, .500 OD X .402 ID X 0.472
6	LEA3242002	1	Hardware: Hex Nut 10MM D

** Upholstery and Frame Colors are list at the end of the Parts Manual **

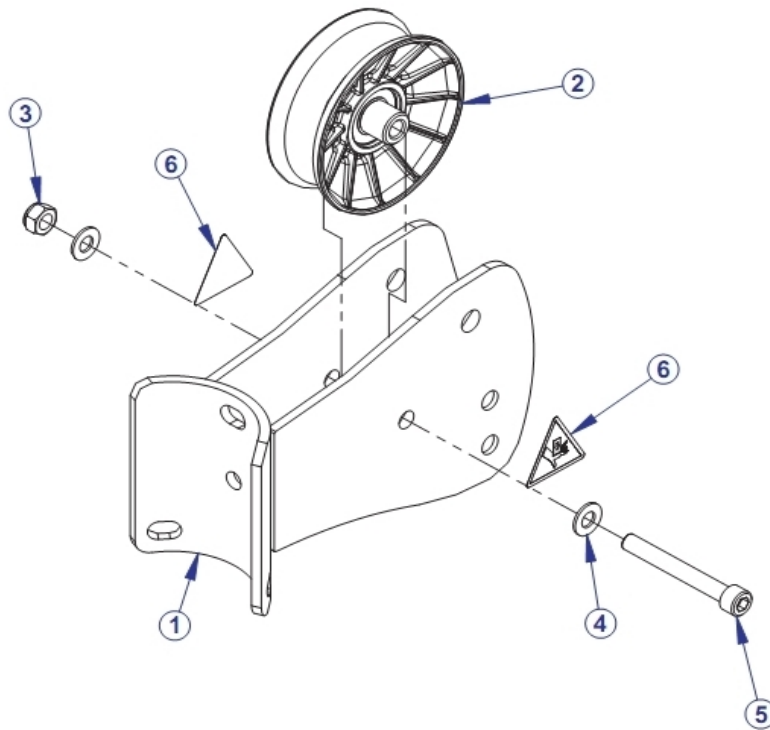
Tower Assembly



Ref #	Part Number	Qty	Description
1	8775802	1	ASSY, OSLR TOWER, PLT
2	3237801	1	Pulley 4.5" OD
3	8370701	2	Cover, OS Tower, Top
4	7328618	2	Guide Rod .75 OD Solid X 71.50
5	6757701	1	Cable Clip
6	3102514	2	Hardware: Flat Washer 3/8" ID
7	3251709	1	Hardware: Screw 60MM
8	7489403	2	Bushing, .500 OD X .402 ID X .272
9	LEA3242002	1	Hardware: Hex Nut 10MM D
10	3264101	8	Hardware: Washer
11	3240501	2	Set Screw
12	3252803	8	M6-1.0 X 12 HXS BUT CS ST ZN
13	8371001	2	Cap, OS Tower, Top
14	3232421	2	Retaining Ring 0.940" D
15	7352101	2	Cushion Weight Stack
16	8692802	1	Retainer, Guiderod, Long
17	8692801	1	Retainer, Guide Rod, Short

** Upholstery and Frame Colors are list at the end of the Parts Manual **

V-Groove Pulley Assembly



Ref #	Part Number	Qty	Description
1	8774802	1	WLDMT, V GROOVE PULLEY SUPPORT, PLT
2	7616601	1	Pulley V-Groove 4-1/2 OD X 2
3	LEA3242002	1	Hardware: Hex Nut 10MM D
4	3102514	2	Hardware: Flat Washer 3/8" ID
5	3251713	1	M10 X 1.5 X 80 HXS SOC CS ST ZN
6	8039501	2	Label Warning Triangle 10-0099-067 BNR

** Upholstery and Frame Colors are list at the end of the Parts Manual **

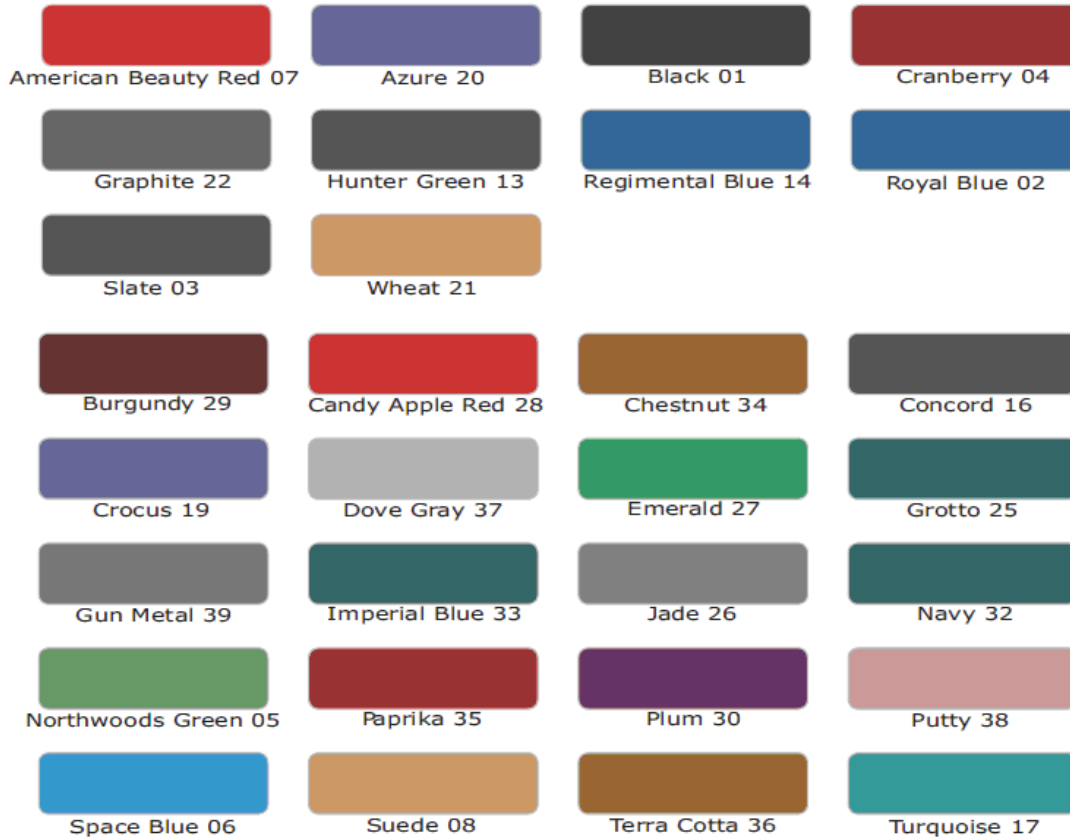
Frame and Upholstery Color Chart

Frame Colors



Note: Include frame color in order notes when ordering frame assemblies or weldments.

Upholstery Colors



Replace '99' with the above color suffix when ordering pads (i.e. 7412399 = 7412301 BLACK)

