

Optima Series - Multi-Press

OSMP

Parts Manual

1/5/2019 15:34:16 PM

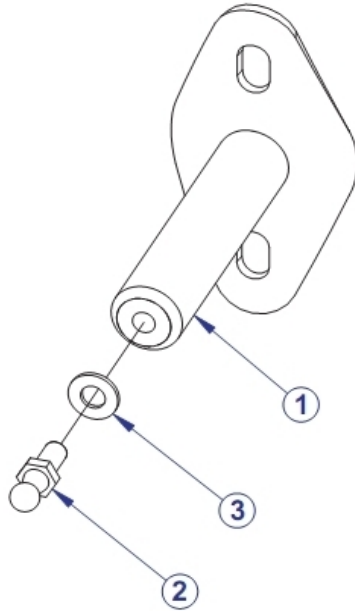


Table of Contents

Ball Stud Mount Assembly	3
Boom Arm Assembly	4
Component Assembly	5
Frame Box Assembly	6
Hardware Bag 1	8
Hardware Bag 2	9
Head Plate Assembly	10
Incremental Weight 7lb Assembly	11
Left Boom Assembly	12
Left Pivot Assembly	13
Main Upright Assembly	14
Multi-Language Sheets	15
Optional Shroud Assembly	16
Placards	17
Seat Assembly	18
Selector Plate Assembly	19
Tower Assembly	20
Tower Sub Assembly	22

** Upholstery & Frame Colors are listed at the end of the Parts Manual **

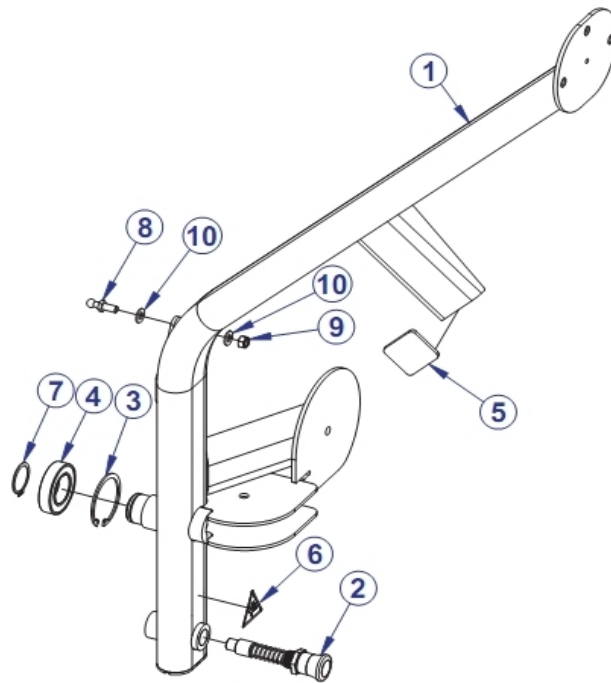
Ball Stud Mount Assembly



Ref #	Part Number	Qty	Description
1	8851202	1	WLDMT, BALL STUD MOUNT - PLT
2	8616501	1	BALL STUD, GAS SPRING
3	LEA3102509	1	Hardware: Flat Washer

** Upholstery and Frame Colors are list at the end of the Parts Manual **

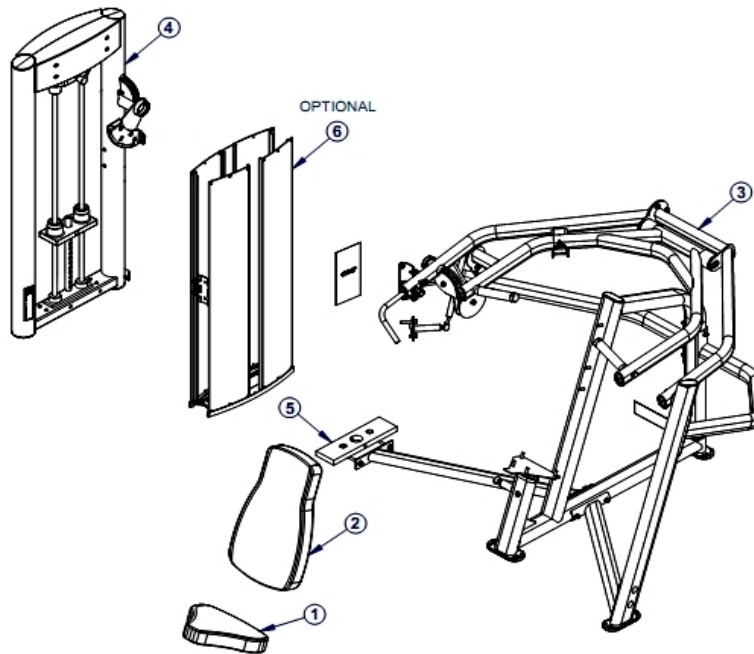
Boom Arm Assembly



Ref #	Part Number	Qty	Description
1	8766502	1	WLDMT, OSMP, BOOM - PLT
2	8544201	1	Assembly, OS, Spring Pin
3	3268801	1	Ring, RET, INT, 5000-244
4	3243201	1	Ball Bearing
5	8831201	1	BUMPER, OSMP HARD STOP
6	8039501	1	Label Warning Triangle 10-0099-067 BNR
7	3243905	1	Ring, BRE M35, ST, PP
8	8616501	1	BALL STUD, GAS SPRING
9	3242004	1	Hardware: Nut 8 MM ID
10	LEA3102509	2	Hardware: Flat Washer

** Upholstery and Frame Colors are list at the end of the Parts Manual **

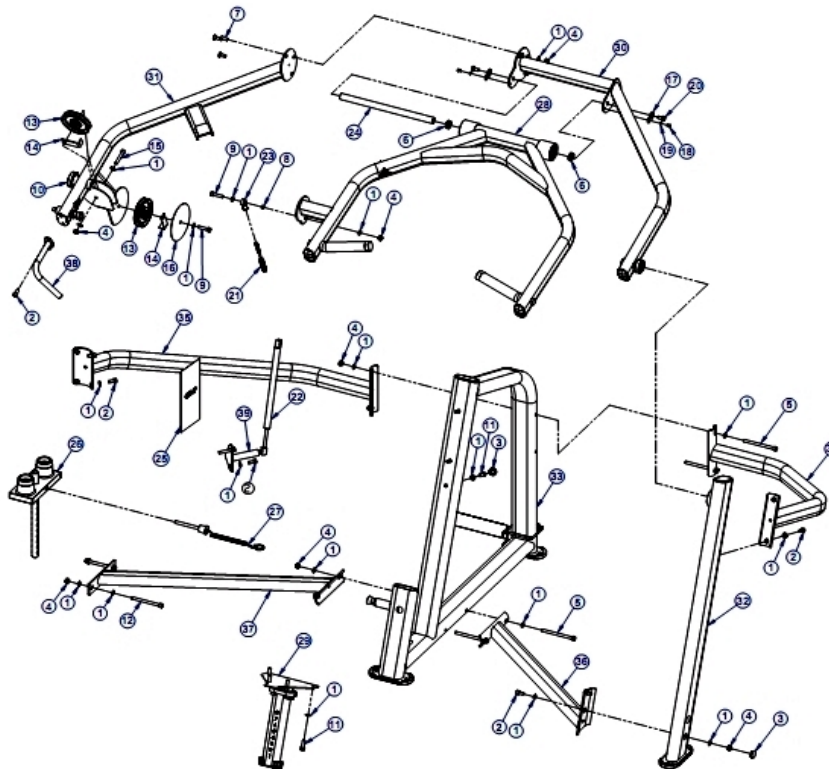
Component Assembly



Ref #	Part Number	Qty	Description
1	8472299	1	Pad, Saddle, Flat Custom
2	8465099	1	Pad, Large Back, Flat Custom
5	7353801	1	Weight Plate 15 LB

** Upholstery and Frame Colors are list at the end of the Parts Manual **

Frame Box Assembly



Ref #	Part Number	Qty	Description
1	3102514	39	Hardware: Flat Washer 3/8" ID
2	3251701	11	Hardware: Screw 20MM
3	3237403	5	Plug 1" Hole
4	LEA3242002	13	Hardware: Hex Nut 10MM D
5	3236220	4	Hardware: Screw 130MM
6	7330010	2	Spacer, Internal X .344
7	3257205	3	Hardware: Bolt 25MM
8	7489402	1	Bushing
9	3251705	2	Hardware: Screw 40MM
10	3235601	2	Ball Bearing
11	3251703	7	Hardware: Screw 30MM
12	3251719	2	Hardware: Screw 120MM
13	3237801	2	Pulley 4.5" OD
14	6757701	2	Cable Clip
15	3251708	2	Hardware: Screw 55MM
16	8514502	1	PLATE, OS PULLEY COVER - PLT
17	8852201	2	SHEET, BOLT RETAINER
18	3252802	2	M6-1.0 X 10 HXS BUT CS ST ZN
19	3264101	2	Hardware: Washer
20	3270505	2	SCREW, M10 X 1.5 - 20MM, HEX HD
21	8491011	1	Cable, OSMP, Tower
22	9473201	1	GAS SPRING, 150N

Ref #	Part Number	Qty	Description
23	3237901	1	Rod End Metric Female
24	7316511	1	SHAFT, 25MM X 15.720
25	8766215	1	Label, OSMP, Placard
26	8505601	1	Assembly, OS Head Plate, 12 Plate
27	8506101	1	Assembly, Selector Pin
28	8769502	1	ASSY, OSMP, PRESS ARM - PLT
29	8763902	1	ASSY, OSMP, SEAT ADJUSTMENT - PLT
30	8781902	1	ASSY, BOOM LEFT - PLT
31	8769302	1	ASSY, OSMP, BOOM ARM - PLT
32	8780102	1	ASSY, OSMP, LEFT PIVOT - PLT
33	8780202	1	ASSY, OSMP, MAIN UPRIGHT - PLT
34	8830502	1	WLDMT, GUSSET LT - PLT
35	8830402	1	WLDMT, GUSSET RT - PLT
36	8830802	1	WLDMT, BASE LT - PLT
37	8830902	1	WLDMT, BASE RT - PLT
38	8781601	1	WLDMT, BOOM HANDLE
39	8851302	1	ASSY, BALL STUD MOUNT - PLT

** Upholstery and Frame Colors are list at the end of the Parts Manual **

Hardware Bag 1

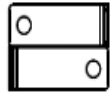
OSMP HARDWARE BAG:



OSMP-HDWR-C- ASSY,OSMP BLISTERPACK
REV. C3



8852201
SHEET, BOLT RETAINER
(2 PCS)



6757701
CLIP, CABLE 2-7/8x1/4
(1 PCS)



3237801
ROD END, METRIC FEMALE
1 PCS



3251705
NUT, HEX JAW M10 X 1.5 SS
1 PCS



3102514
CAP, END 3-1/2 RD 14-18GA
(1PCS)



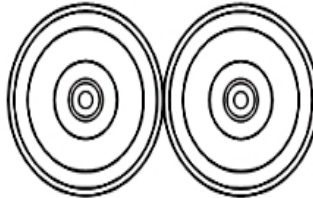
3251703
PLUG, 1" HOLE
(5 PCS)



7330010
SPACER,
INTERNAL .344
(2 PCS)



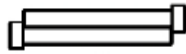
3251705
NUT, HEX JAW M10 X 1.5 SS
(2 PCS)



3237801
PULLEY, 4.5" OD
(2 PCS)



3251720
SCREW, M10X1.5X130
(4 PCS)



3251719
SCREW, M10 X 1.5 X 110MM
(2 PCS)



3242002
NUT, M10 X 1.5 HEX NYLOCK
(16 PCS)



3251705
SCREW, M10 X 1.5 X 40MM
(2 PCS)



3252802
M6-1.0 X 10 HXS BUT CS ST ZN
(2 PCS)



3251703
SCREW, M10 X 1.5 X 20MM
(11 PCS)



3238902
NUT, HEX JAW M10 X 2 SS
1 PCS



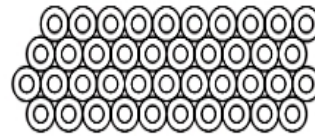
3258101
SCREW, M10 X 1.5 X 10
(2 PCS)



3251705
M10 FLAT HEAD SOCKET
(5 PCS)



3251703
SCREW, M10 X 1.5 X 30MM
(7 PCS)



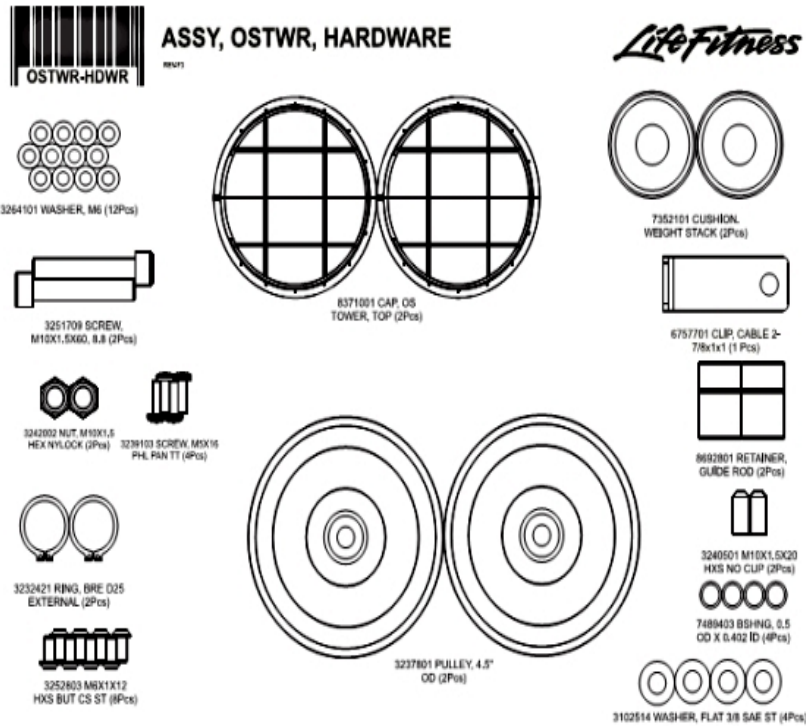
3102514
WASHER, FLAT 3/8 SAE ST (41 PCS)

Ref #	Part Number	Qty	Description
-	3251701	12	Hardware: Screw 20MM
-	3251719	2	Hardware: Screw 120MM
-	3251705	2	Hardware: Screw 40MM
-	3251708	2	Hardware: Screw 55MM
-	7330010	2	Spacer, Internal X .344
-	8852201	2	SHEET, BOLT RETAINER
-	6757701	2	Cable Clip
-	3237801	2	Pulley 4.5" OD
-	3264101	2	Hardware: Washer
-	LEA3242002	13	Hardware: Hex Nut 10MM D
-	7489402	1	Bushing
-	3270505	2	SCREW, M10 X 1.5 - 20MM, HEX HD
-	3257205	3	Hardware: Bolt 25MM
-	3237403	5	Plug 1" Hole
-	3102514	39	Hardware: Flat Washer 3/8" ID
-	3252802	2	M6-1.0 X 10 HXS BUT CS ST ZN
-	8514502	1	PLATE, OS PULLEY COVER - PLT
-	3235601	2	Ball Bearing
-	3251703	7	Hardware: Screw 30MM
-	3236220	4	Hardware: Screw 130MM

** Upholstery and Frame Colors are list at the end of the Parts Manual **

Hardware Bag 2

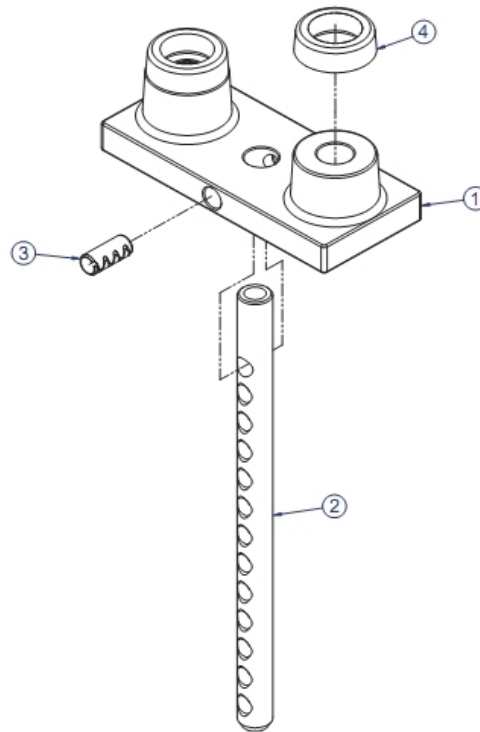
TOWER HARDWARE BAG: OSTWR-HDWR



Ref #	Part Number	Qty	Description
-	3251707	1	Hardware: Screw 50MM
-	3237801	3	Pulley 4.5" OD
-	3119301	1	Cap, End 2-1/2 RD 14-18GA
-	LEA3242002	5	Hardware: Hex Nut 10MM D
-	7489403	4	Bushing, .500 OD X .402 ID X .272
-	7352101	2	Cushion Weight Stack
-	8692802	1	Retainer, Guiderod, Long
-	8692801	1	Retainer, Guide Rod, Short
-	3257205	2	Hardware: Bolt 25MM
-	3264101	9	Hardware: Washer
-	3232421	2	Reatining Ring 0.940" D
-	3102514	8	Hardware: Flat Washer 3/8" ID
-	3240501	2	Set Screw
-	3251708	2	Hardware: Screw 55MM
-	8371001	2	Cap, OS Tower, Top
-	3252803	8	M6-1.0 X 12 HXS BUT CS ST ZN

** Upholstery and Frame Colors are list at the end of the Parts Manual **

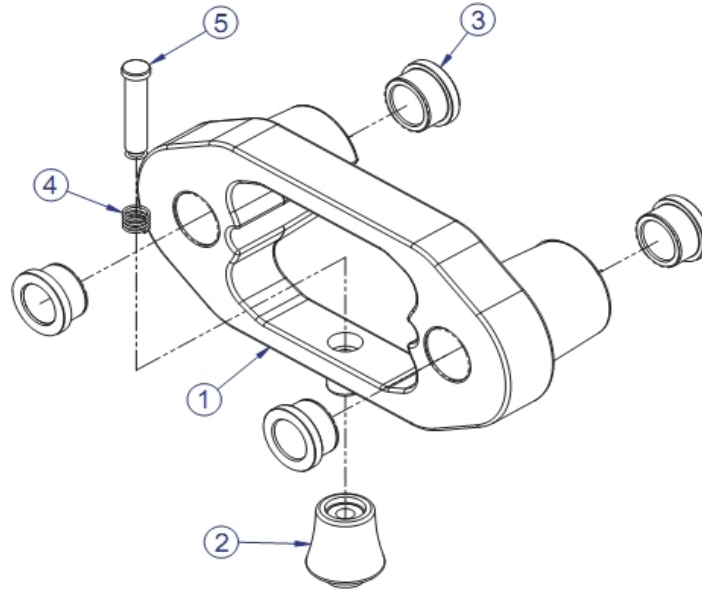
Head Plate Assembly



Ref #	Part Number	Qty	Description
1	8664101	1	Assembly, OS, Head Plate
2	8331701	1	Bayonet, OS, 12 Plate
3	3236001	1	SpringPin Bushing
4	7767601	2	Bumper PS Increment
-	OSMPTWR-KIT	1	Assembly, OSMPTWR Component Kit
-	OSMP-HDWR-C	1	Hardware: Assembly, OSMP Blister Pack

** Upholstery and Frame Colors are list at the end of the Parts Manual **

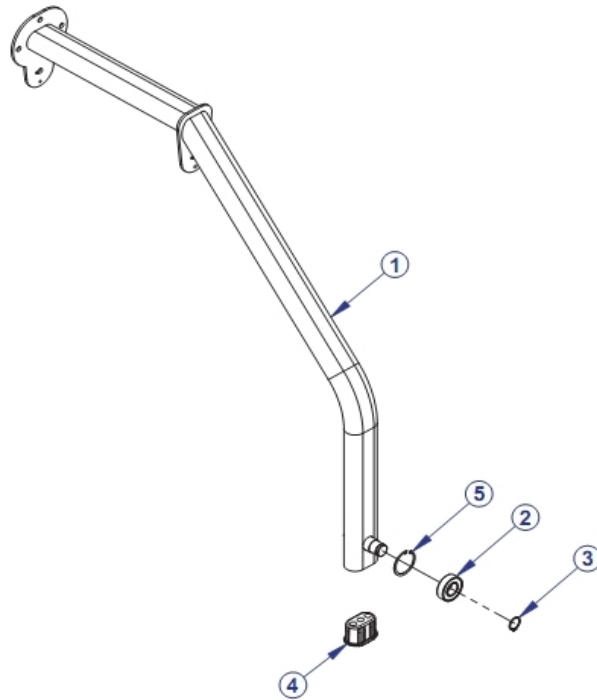
Incremental Weight 7lb Assembly



Ref #	Part Number	Qty	Description
1	8504201	1	BODY, INCREMENT WEIGHT, 7 LB
2	8048001	1	Knob Tulip Style
3	8045001	4	BEARING Increment Weight
4	7447001	1	Compression Spring
5	7446901	1	Hardware: Pin Retaining

** Upholstery and Frame Colors are list at the end of the Parts Manual **

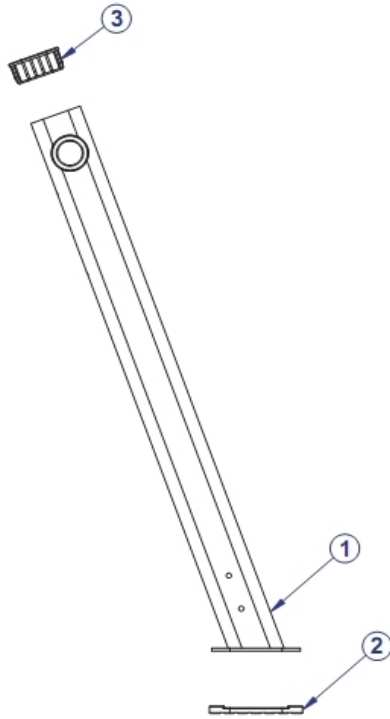
Left Boom Assembly



Ref #	Part Number	Qty	Description
1	8781202	1	WLDMT, BOOM LEFT - PLT
2	3235601	1	Ball Bearing
3	3232420	1	Retaining Ring 0.926" D
4	7800501	1	Small Cap
5	3202602	1	Retaining Ring 2.25" D

** Upholstery and Frame Colors are list at the end of the Parts Manual **

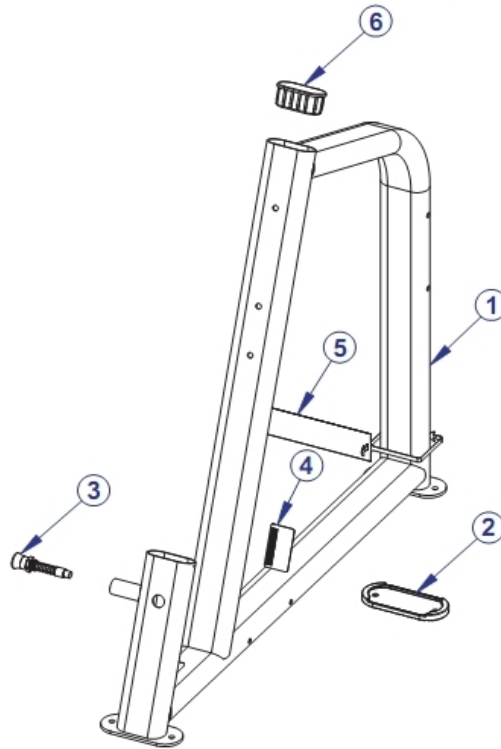
Left Pivot Assembly



Ref #	Part Number	Qty	Description
1	8767202	1	WLDMT, OSMP, LEFT PIVOT - PLT
2	8474501	1	Foot, Optima
3	8012901	1	End Cap FLOV

** Upholstery and Frame Colors are list at the end of the Parts Manual **

Main Upright Assembly

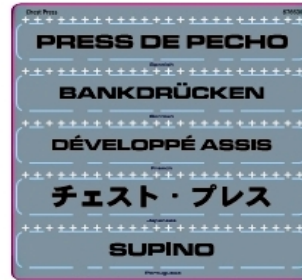


Ref #	Part Number	Qty	Description
1	8829802	1	WLDMT, OSMP, MAIN UPRIGHT - PLT
2	8474501	2	Foot, Optima
3	8544201	1	Assembly, OS, Spring Pin
4	7571301	1	Label Serial Number
5	8343101	1	Tag - Bolt To Floor
6	8012901	1	End Cap FLOV

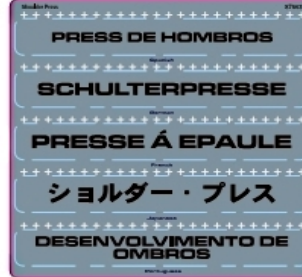
** Upholstery and Frame Colors are list at the end of the Parts Manual **

Multi-Language Sheets

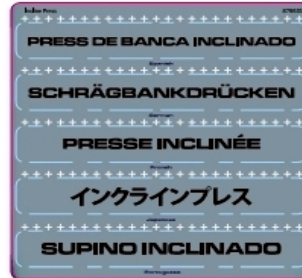
8766303
CHEST PRESS



8766313
SHOULDER PRESS



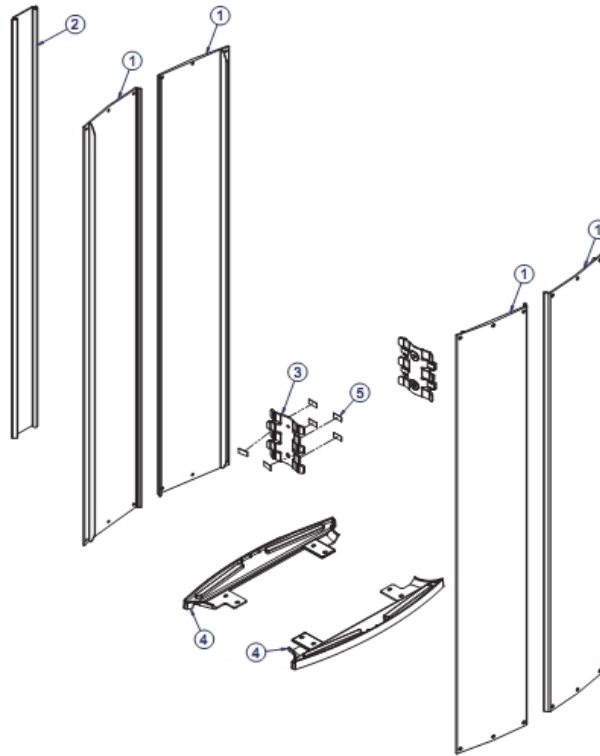
8766315
MULTI-PRESS



Ref #	Part Number	Qty	Description
-	8766315	2	LABEL, OSMP, INCLINE PRESS, MULTI LANG SHEET
-	8766303	2	Label, OSCP, Multi Lang Sheet
-	8766313	2	Label, OSSP, Multi Lang Sheet

** Upholstery and Frame Colors are list at the end of the Parts Manual **

Optional Shroud Assembly



Ref #	Part Number	Qty	Description
1	8370801	4	Shroud, OS Tower
2	8370901	1	Shroud, OS Tower, Center, Standard
3	8371201	2	Clip, OS Tower
4	8371301	2	Cover, OS Tower, Bottom
5	8682601	12	Tape, Non-Skid, Clear

** Upholstery and Frame Colors are list at the end of the Parts Manual **

Placards

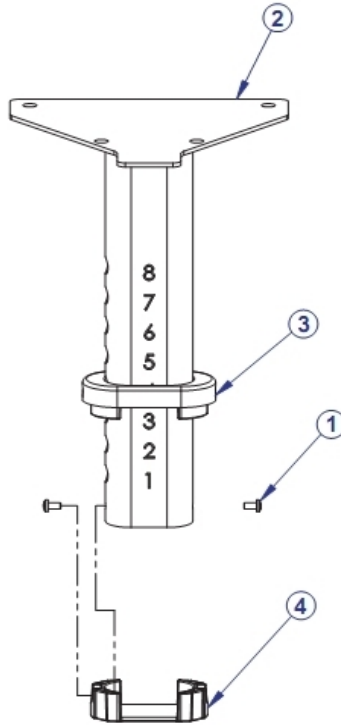
PLACARD ARTWORK



Ref #	Part Number	Qty	Description
-	8766215	1	Label, OSMP, Placard

** Upholstery and Frame Colors are list at the end of the Parts Manual **

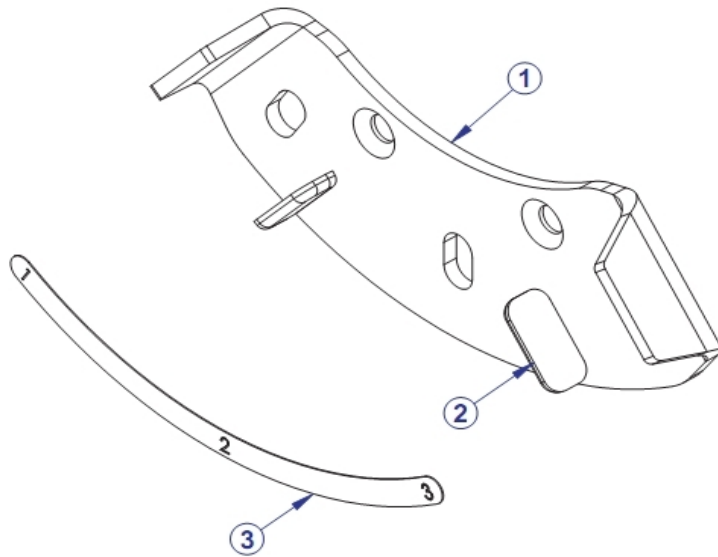
Seat Assembly



Ref #	Part Number	Qty	Description
1	3239101	2	Hardware: Phillips Pan Screw
2	8763301	1	WLDMT, OSMP, SEAT
3	8624101	1	Bushing, Seat Glide Ext.
4	8624201	1	Bushing, Seat Glide INT.

** Upholstery and Frame Colors are list at the end of the Parts Manual **

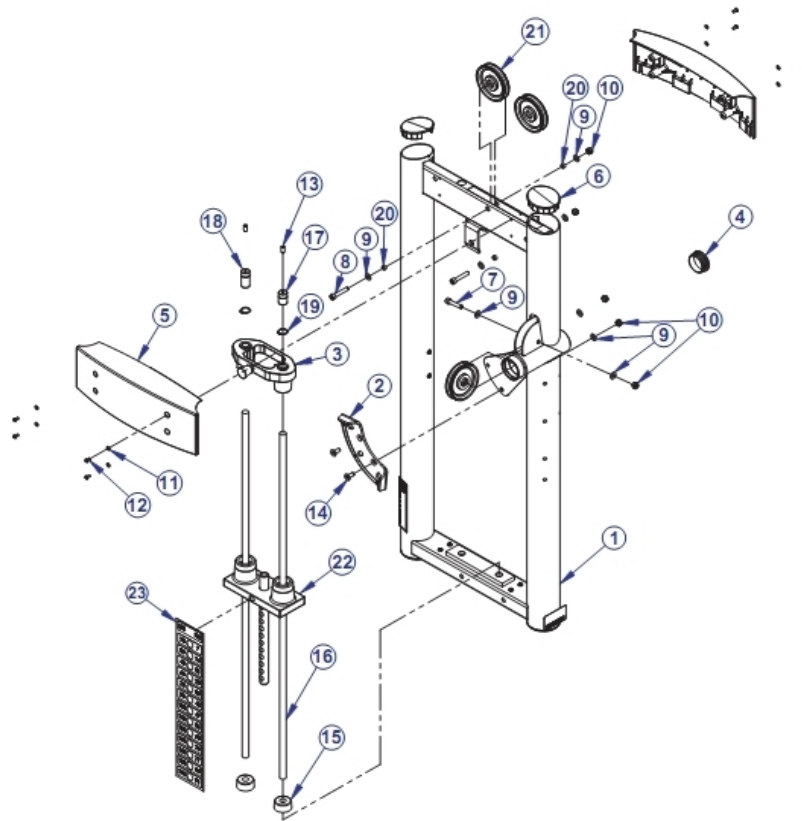
Selector Plate Assembly



Ref #	Part Number	Qty	Description
1	8813801	1	PLATE, SELECTOR, OSMP
2	7570801	2	Guard Paint 1.25 X .75 X .25
3	8851801	1	LABEL, OSMP SELECTOR PLATE

** Upholstery and Frame Colors are list at the end of the Parts Manual **

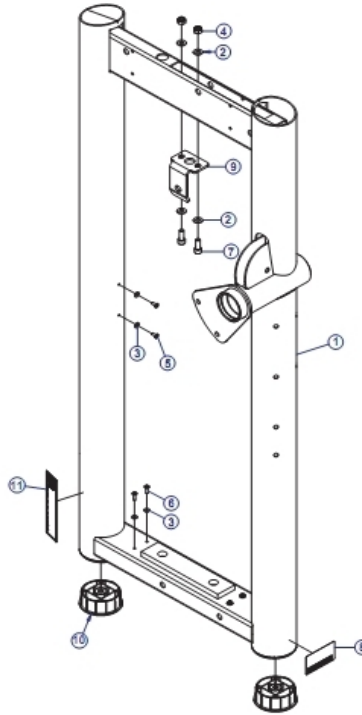
Tower Assembly



Ref #	Part Number	Qty	Description
2	8851001	1	ASSY, OSMP SELECTOR PLATE
3	8504301	1	Assembly, Increment Weight, 7 LB
4	3119301	1	Cap, End 2-1/2 RD 14-18GA
5	8370701	2	Cover, OS Tower, Top
6	8371001	2	Cap, OS Tower, Top
7	3251707	1	Hardware: Screw 50MM
8	3251708	2	Hardware: Screw 55MM
9	3102514	8	Hardware: Flat Washer 3/8" ID
10	LEA3242002	5	Hardware: Hex Nut 10MM D
11	3264101	9	Hardware: Washer
12	3252803	8	M6-1.0 X 12 HXS BUT CS ST ZN
13	3240501	2	Set Screw
14	3257205	2	Hardware: Bolt 25MM
15	7352101	2	Cushion Weight Stack
16	7328621	2	Guide Rod, .75 OD Solid X 48.60
17	8692801	1	Retainer, Guide Rod, Short
18	8692802	1	Retainer, Guiderod, Long
19	3232421	2	Reatining Ring 0.940" D
20	7489403	4	Bushing, .500 OD X .402 ID X .272
21	3237801	3	Pulley 4.5" OD
22	8505601	1	Assembly, OS Head Plate, 12 Plate
23	8769601	1	Label, Weight Stack, 13 Plate

** Upholstery and Frame Colors are list at the end of the Parts Manual **

Tower Sub Assembly



Ref #	Part Number	Qty	Description
2	3102514	4	Hardware: Flat Washer 3/8" ID
3	3114407	8	Hardware: Flat Washer
4	LEA3242002	2	Hardware: Hex Nut 10MM D
5	LEA3239102	4	Hardware: Screw
6	3239103	4	Screw, M5X.8 X 16 PHI PAN TT ST BZ
7	LEA3251702	2	Screw; M10 X1.5 25MM
8	7571301	1	Label Serial Number
9	8332101	1	Bracket, OS Tower, Increment Weight Striker
10	8423801	2	Foot, OS Tower
11	8630801	1	Label, ASTM, Select Vertical-Sheet

** Upholstery and Frame Colors are list at the end of the Parts Manual **

Frame and Upholstery Color Chart

Frame Colors



Note: Include frame color in order notes when ordering frame assemblies or weldments.

Upholstery Colors



Replace '99' with the above color suffix when ordering pads (i.e. 7412399 = 7412301 BLACK)

