

# Optima Series - LAT Pull Down

OSPD

## Parts Manual

1/5/2019 15:34:18 PM



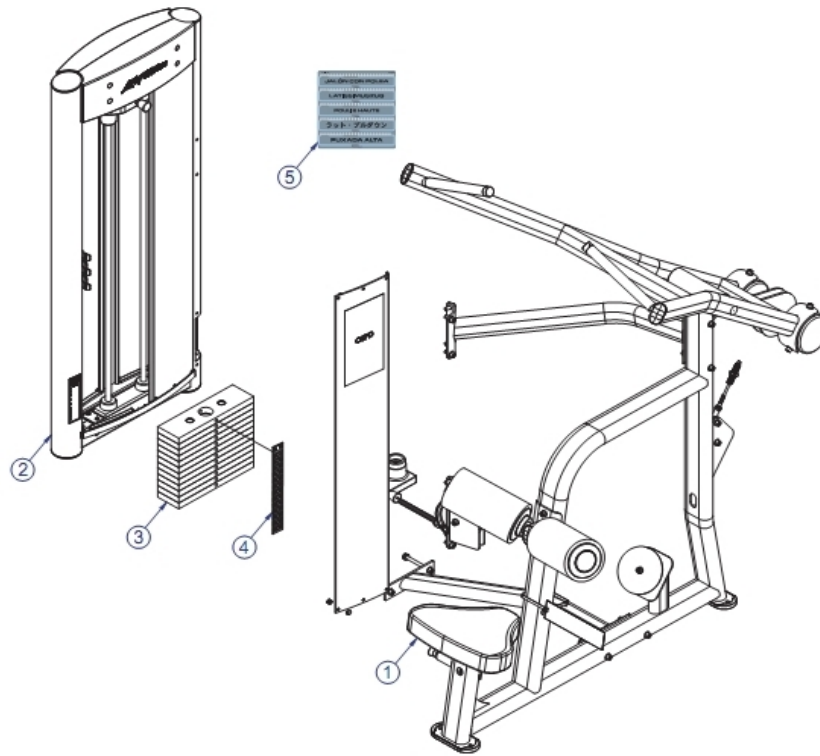
**Table of Contents**

---

<a href="#">Component Assembly</a> .....	3
<a href="#">Frame Assembly</a> .....	4
<a href="#">Hardware Bag 1</a> .....	6
<a href="#">Hardware Bag 2</a> .....	7
<a href="#">Head Plate Assembly</a> .....	8
<a href="#">Incremental Weight Assembly</a> .....	9
<a href="#">Optional Front Shroud Assembly</a> .....	10
<a href="#">Seat Assembly</a> .....	11
<a href="#">Seat Frame Assembly</a> .....	12
<a href="#">Thigh Hold Down Assembly</a> .....	13
<a href="#">Tower Assembly</a> .....	14
<a href="#">Tower Frame Assembly</a> .....	16
<a href="#">Work Arm Assembly</a> .....	17
<a href="#">15 Degree Pulley Assembly</a> .....	18

\*\* Upholstery & Frame Colors are listed at the end of the Parts Manual \*\*

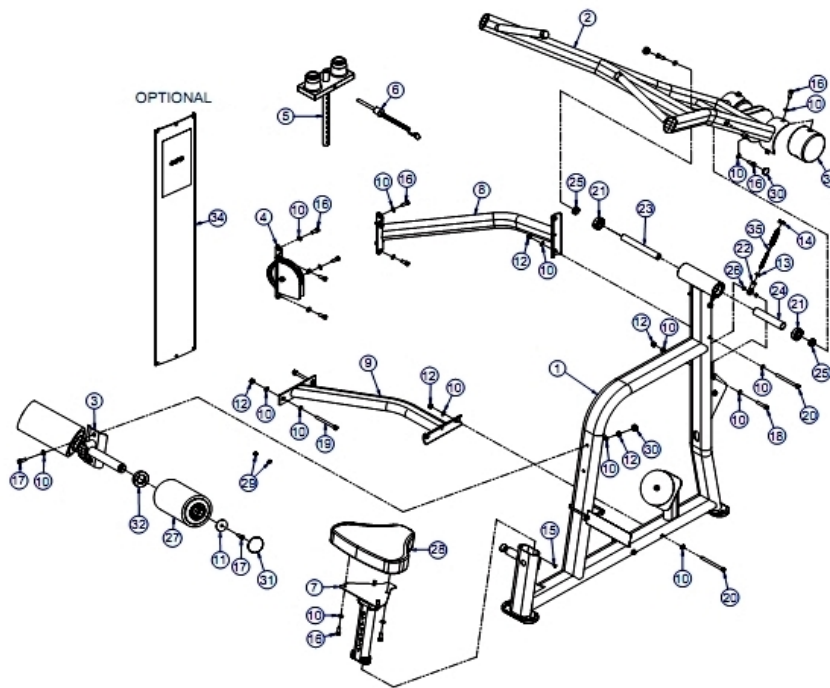
# Component Assembly



Ref #	Part Number	Qty	Description
1	8546602	1	ASSY, OSPD, FRAME PLT
2	8403902	1	ASSY, OSTWR, FINAL-PLT
3	7353801	12	Weight Plate 15 LB
4	8769601	1	Label, Weight Stack, 13 Plate
5	8766311	1	Label, OSPD, Multi Lang Sheet

\*\* Upholstery and Frame Colors are list at the end of the Parts Manual \*\*

# Frame Assembly



Ref #	Part Number	Qty	Description
1	8471702	1	Assembly, OSPD, Seat Frame Plate
2	8470802	1	Assembly, OSPD, Workarm Plate
3	8472002	1	Assembly, OSPD, Roller Pad Plate
4	8473099	1	ASSY, OS, 15 DEG. PULLEY Custom
5	8505601	1	Assembly, OS Head Plate, 12 Plate
6	8506101	1	Assembly, Selector Pin
7	8543801	1	Assembly, OS, Seat
8	8470902	1	Weldment, OSPD, Back X-Mem Plate
9	8471002	1	Weldment, OSPD, Bottom X-Mem Plate
10	3102514	36	Hardware: Flat Washer 3/8" ID
11	7322301	2	Plate 1.97 OD X .447 ID 10 GA
12	LEA3242002	9	Hardware: Hex Nut 10MM D
13	3236901	1	Hardware: Nut Hex Jam 10 MM
14	3236902	1	Hardware: Nut 16 MM ID
15	3239101	2	Hardware: Phillips Pan Screw
16	LEA3251702	18	Screw; M10 X1.5 25MM
17	3251703	4	Hardware: Screw 30MM
18	3251707	1	Hardware: Screw 50MM
19	3251718	2	M10 X 1.5 X 110 HXS SOC CS ST ZN
20	3251719	4	Hardware: Screw 120MM
21	3235601	2	Ball Bearing
22	3237901	1	Rod End Metric Female

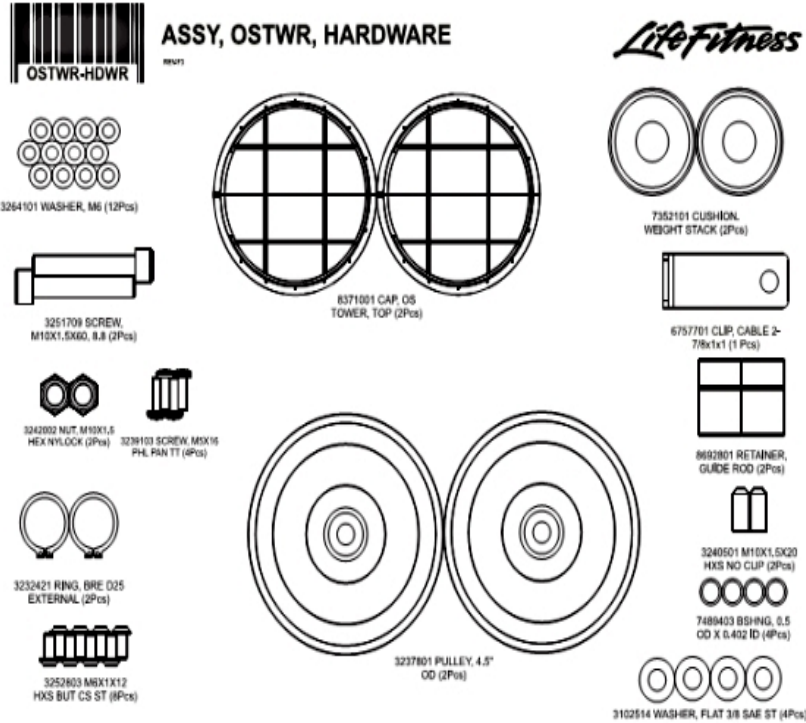
Ref #	Part Number	Qty	Description
23	7316504	1	Shaft 25MM D 8.25" L
24	7330005	1	Spacer Internal X 6.265
25	7330011	2	Spacer, Internal X .425
26	7489402	2	Bushing
27	7424799	2	ASSY, ROLLER PAD SHORT Custom
28	8472299	1	Pad, Saddle, Flat Custom
29	3237402	2	Plug 1/2" Hole
30	3237403	4	Plug 1" Hole
31	7308701	2	Cap Bearing Housing
32	7357901	2	Shaft Collar
33	7801901	2	Small Counter Weight-Coated
34	8548602	1	Assembly, OSPD Front Shroud
35	8491001	1	Cable, OSPD, Tower

\*\* Upholstery and Frame Colors are list at the end of the Parts Manual \*\*



## Hardware Bag 2

### TOWER HARDWARE BAG: OSTWR-HDWR

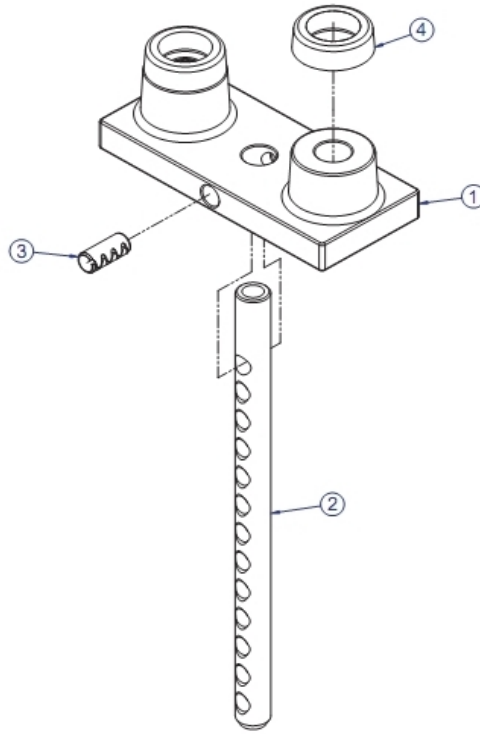


Ref #	Part Number	Qty	Description
-	OSTWR-KIT	1	Hardware: Assembly, OSTWR, Component Kit
-	8504301	1	Assembly, Increment Weight, 7 LB
-	8370801	3	Shroud, OS Tower
-	8370901	1	Shroud, OS Tower, Center, Standard
-	8370701	2	Cover, OS Tower, Top
-	7328621	2	Guide Rod, .75 OD Solid X 48.60
-	OSPD-KIT	1	Hardware: Assembly, OSPD, Component Kit
-	OSTWR-HDWR-G	1	ASSY, OSTWR, BLISTER PACK
-	8371301	2	Cover, OS Tower, Bottom
-	8769601	1	Label, Weight Stack, 13 Plate

\*\* Upholstery and Frame Colors are list at the end of the Parts Manual \*\*

## Head Plate Assembly

---

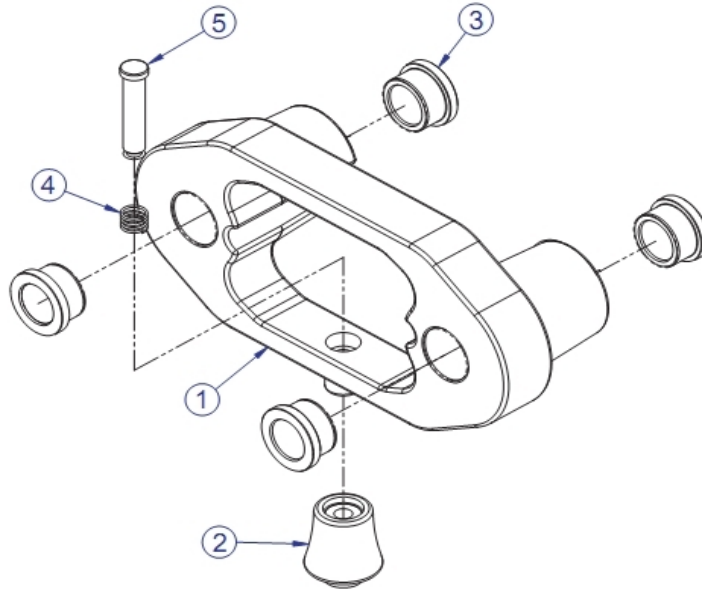


Ref #	Part Number	Qty	Description
1	8664101	1	Assembly, OS, Head Plate
2	8331701	1	Bayonet, OS, 12 Plate
3	3236001	1	SpringPin Bushing
4	7767601	2	Bumper PS Increment

\*\* Upholstery and Frame Colors are list at the end of the Parts Manual \*\*

## Incremental Weight Assembly

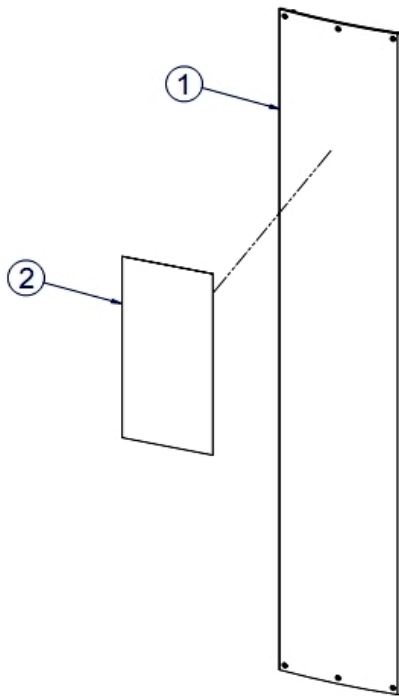
---



Ref #	Part Number	Qty	Description
1	8504201	1	BODY, INCREMENT WEIGHT, 7 LB
2	8048001	1	Knob Tulip Style
3	8045001	4	BEARING Increment Weight
4	7447001	1	Compression Spring
5	7446901	1	Hardware: Pin Retaining

\*\* Upholstery and Frame Colors are list at the end of the Parts Manual \*\*

## Optional Front Shroud Assembly

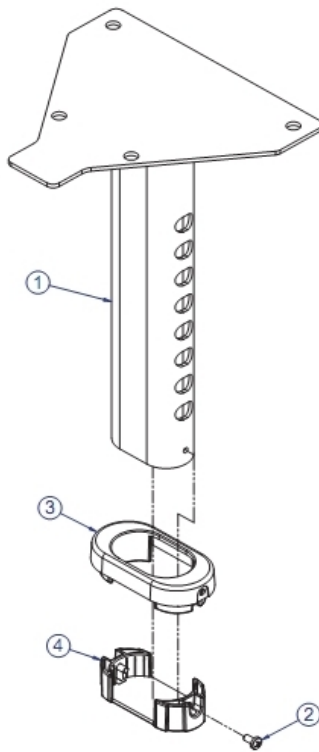


Ref #	Part Number	Qty	Description
1	8370801	1	Shroud, OS Tower
2	8766211	1	Label, OSPD, Placard

\*\* Upholstery and Frame Colors are list at the end of the Parts Manual \*\*

## Seat Assembly

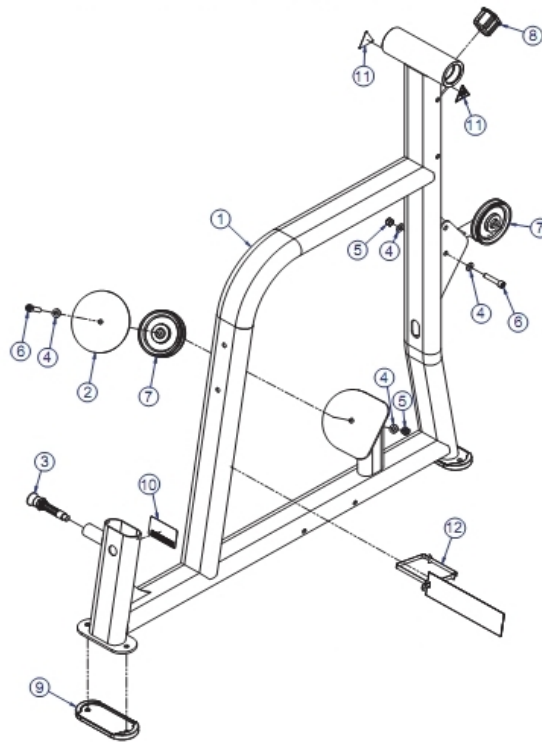
---



Ref #	Part Number	Qty	Description
1	8545301	1	Weldment, OS, Seat
2	3239101	2	Hardware: Phillips Pan Screw
3	8624101	1	Bushing, Seat Glide Ext.
4	8624201	1	Bushing, Seat Glide INT.

\*\* Upholstery and Frame Colors are list at the end of the Parts Manual \*\*

# Seat Frame Assembly

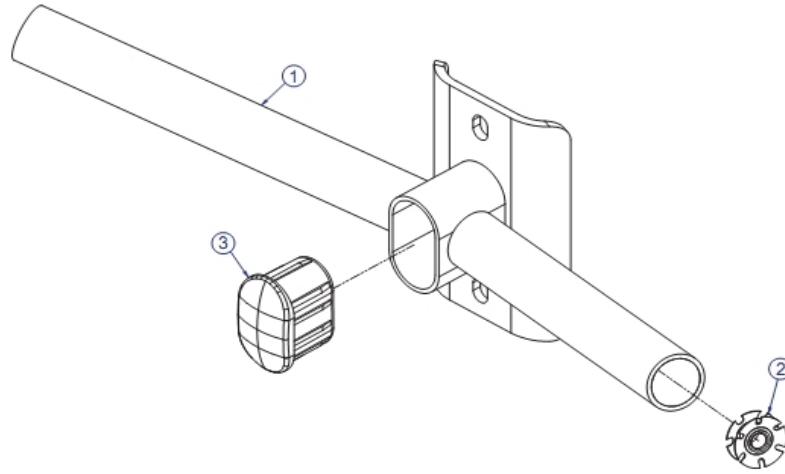


Ref #	Part Number	Qty	Description
1	8470602	1	Weldment, OSPD, Seat Frame Plate
2	8514602	1	Weldment, OS Pulley Cover Platinum
3	8544201	1	Assembly, OS, Spring Pin
4	3102514	4	Hardware: Flat Washer 3/8" ID
5	LEA3242002	2	Hardware: Hex Nut 10MM D
6	3251707	2	Hardware: Screw 50MM
7	3237801	2	Pulley 4.5" OD
8	7800501	1	Small Cap
9	8474501	2	Foot, Optima
10	7571301	1	Label Serial Number
11	8039501	2	Label Warning Triangle 10-0099-067 BNR
12	8343101	1	Tag - Bolt To Floor

\*\* Upholstery and Frame Colors are list at the end of the Parts Manual \*\*

## Thigh Hold Down Assembly

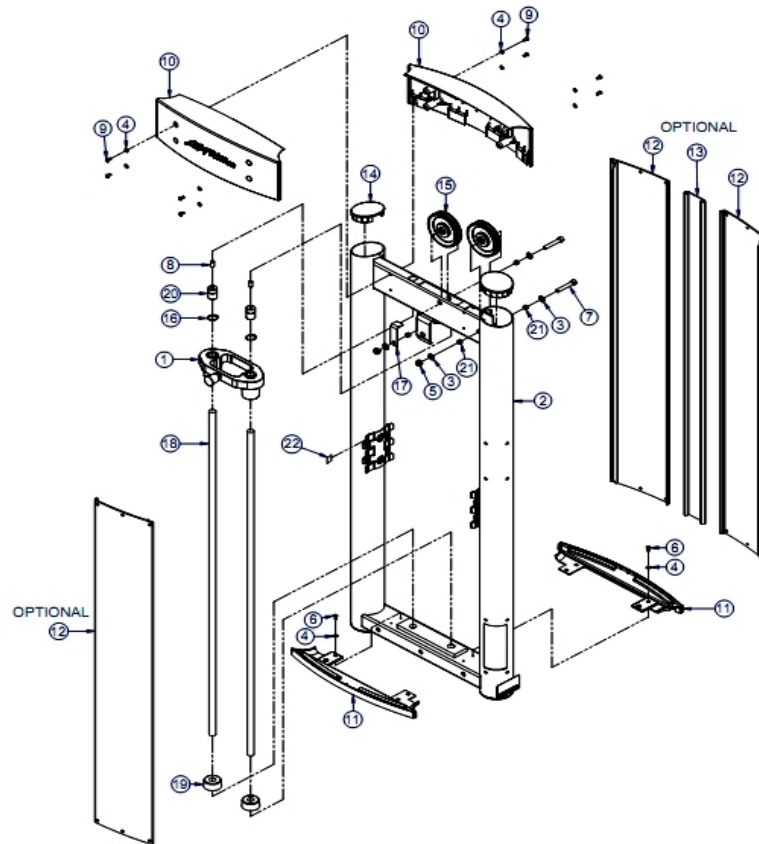
---



Ref #	Part Number	Qty	Description
1	8471202	1	Weldment, OSPD, Roller Pad Plate
2	7347301	2	Hardware: Nut 10 MM ID
3	7800501	1	Small Cap

\*\* Upholstery and Frame Colors are list at the end of the Parts Manual \*\*

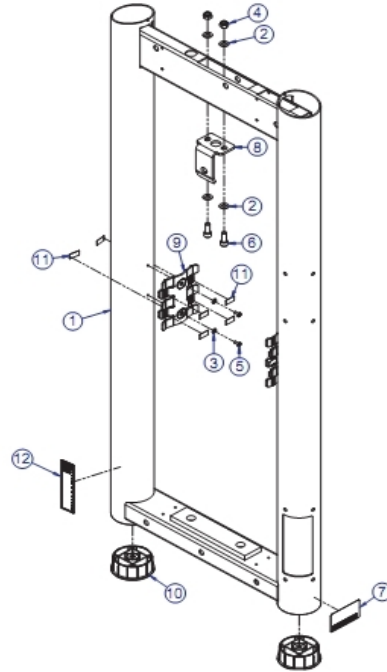
# Tower Assembly



Ref #	Part Number	Qty	Description
1	8504301	1	Assembly, Increment Weight, 7 LB
2	8674402	1	Assembly, OSTWR-Plate
3	3102514	4	Hardware: Flat Washer 3/8" ID
4	3264101	12	Hardware: Washer
5	LEA3242002	2	Hardware: Hex Nut 10MM D
6	3239103	4	Screw, M5X.8 X 16 PHI PAN TT ST BZ
7	3251709	2	Hardware: Screw 60MM
8	3240501	2	Set Screw
9	3252803	8	M6-1.0 X 12 HXS BUT CS ST ZN
10	8370701	2	Cover, OS Tower, Top
11	8371301	2	Cover, OS Tower, Bottom
12	8370801	3	Shroud, OS Tower
13	8370901	1	Shroud, OS Tower, Center, Standard
14	8371001	2	Cap, OS Tower, Top
15	3237801	2	Pulley 4.5" OD
16	3232421	2	Retaining Ring 0.940" D
17	6757701	1	Cable Clip
18	7328621	2	Guide Rod, .75 OD Solid X 48.60
19	7352101	2	Cushion Weight Stack
20	7402301	2	Retainer Guide Rod
21	7489403	4	Bushing, .500 OD X .402 ID X .272
22	8682601	12	Tape, Non-Skid, Clear

\*\* Upholstery and Frame Colors are list at the end of the Parts Manual \*\*

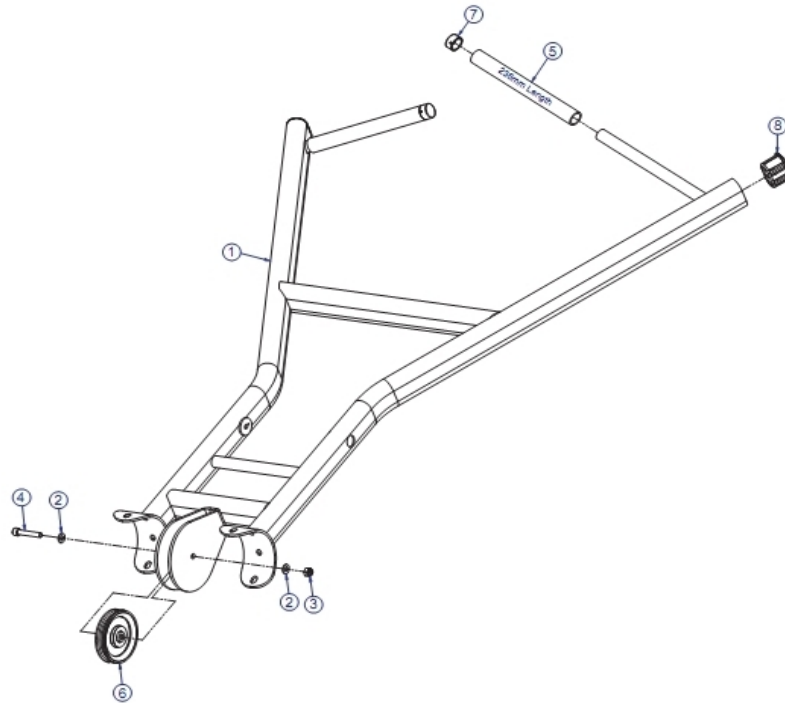
# Tower Frame Assembly



Ref #	Part Number	Qty	Description
1	8404099	1	WLDMT, OS TOWER -CUS
2	3102514	4	Hardware: Flat Washer 3/8" ID
3	3264101	4	Hardware: Washer
4	LEA3242002	2	Hardware: Hex Nut 10MM D
5	LEA3239102	4	Hardware: Screw
6	LEA3251702	2	Screw; M10 X1.5 25MM
7	7571301	1	Label Serial Number
8	8332101	1	Bracket, OS Tower, Increment Weight Striker
9	8371201	2	Clip, OS Tower
10	8423801	2	Foot, OS Tower
11	8682601	12	Tape, Non-Skid, Clear
12	8630801	1	Label, ASTM, Select Vertical-Sheet

\*\* Upholstery and Frame Colors are list at the end of the Parts Manual \*\*

## Work Arm Assembly

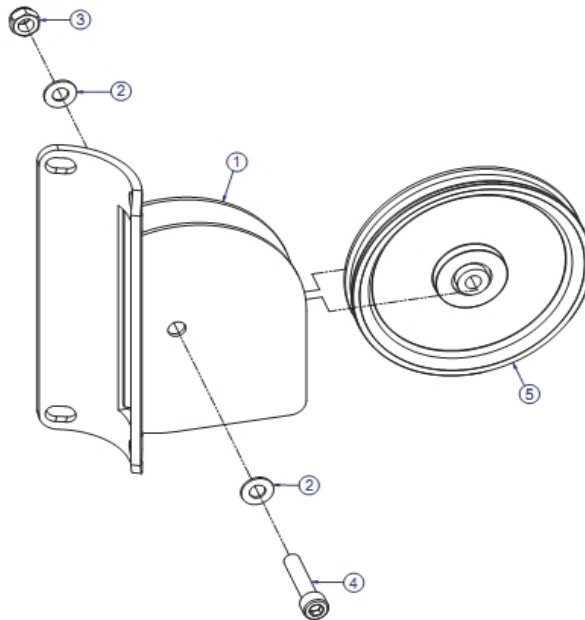


Ref #	Part Number	Qty	Description
1	8470702	1	Weldment, OSPD, Workarm Plate
2	3102514	2	Hardware: Flat Washer 3/8" ID
3	LEA3242002	1	Hardware: Hex Nut 10MM D
4	3251708	1	Hardware: Screw 55MM
5	3235801	2	Grip - 1.25" OD
6	3237801	1	Pulley 4.5" OD
7	7662901	2	Grip Cap
8	7800501	2	Small Cap

\*\* Upholstery and Frame Colors are list at the end of the Parts Manual \*\*

# 15 Degree Pulley Assembly

---



Ref #	Part Number	Qty	Description
1	8472902	1	Weldment, OS, 15 Deg Pulley Plate
2	3102514	2	Hardware: Flat Washer 3/8" ID
3	LEA3242002	1	Hardware: Hex Nut 10MM D
4	3251707	1	Hardware: Screw 50MM
5	3239601	1	Pulley - 6"

\*\* Upholstery and Frame Colors are list at the end of the Parts Manual \*\*

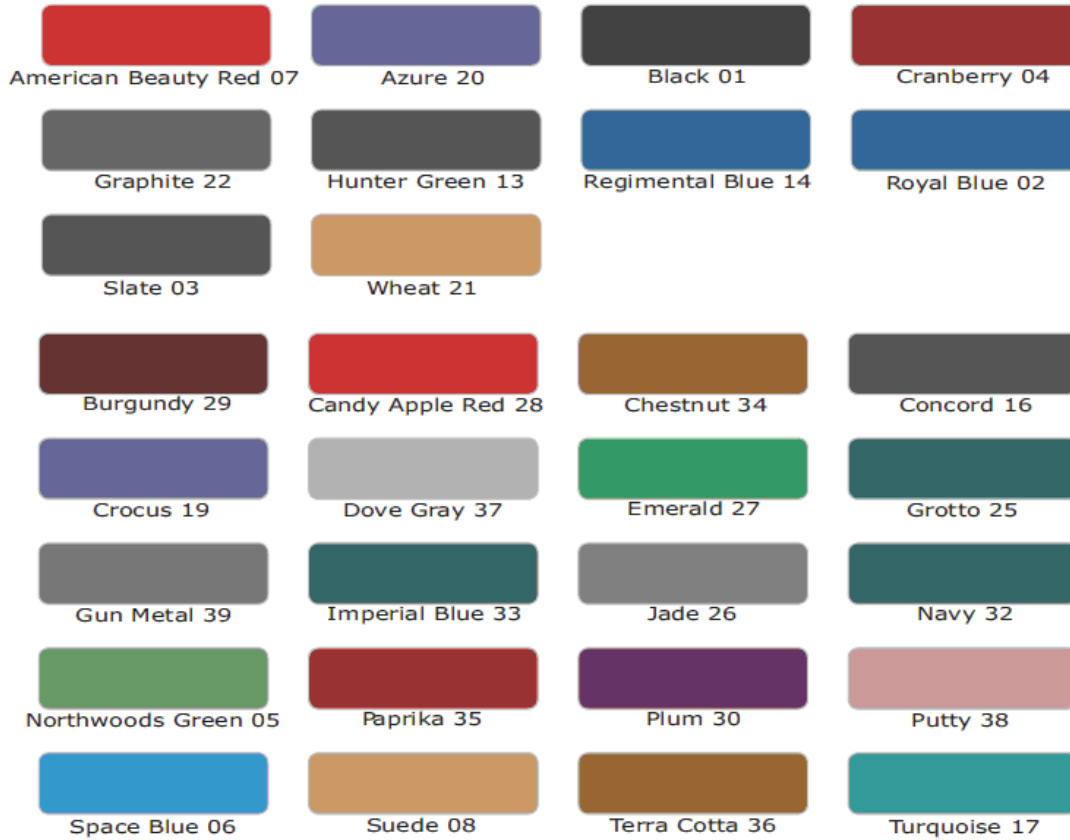
# Frame and Upholstery Color Chart

## Frame Colors



Note: Include frame color in order notes when ordering frame assemblies or weldments.

## Upholstery Colors



Replace '99' with the above color suffix when ordering pads (i.e. 7412399 = 7412301 BLACK)

