

# Activate - Recumbent Lifecycle CRC Base

OSR-ALLCX-01

## Parts Manual

1/5/2019 15:34:18 PM

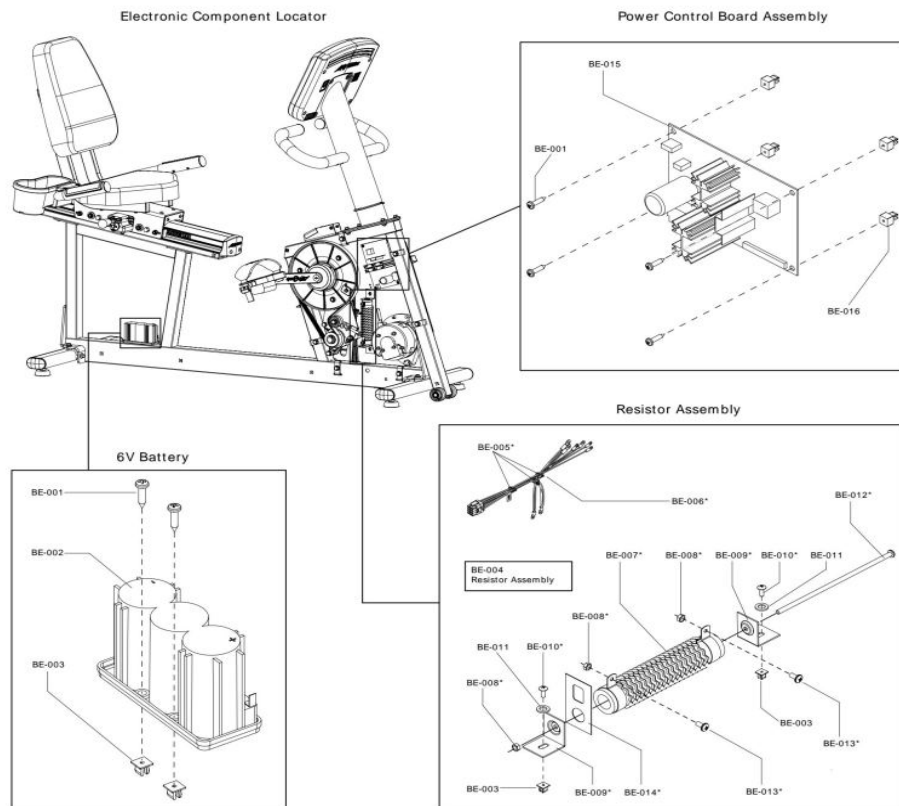


**Table of Contents**

---

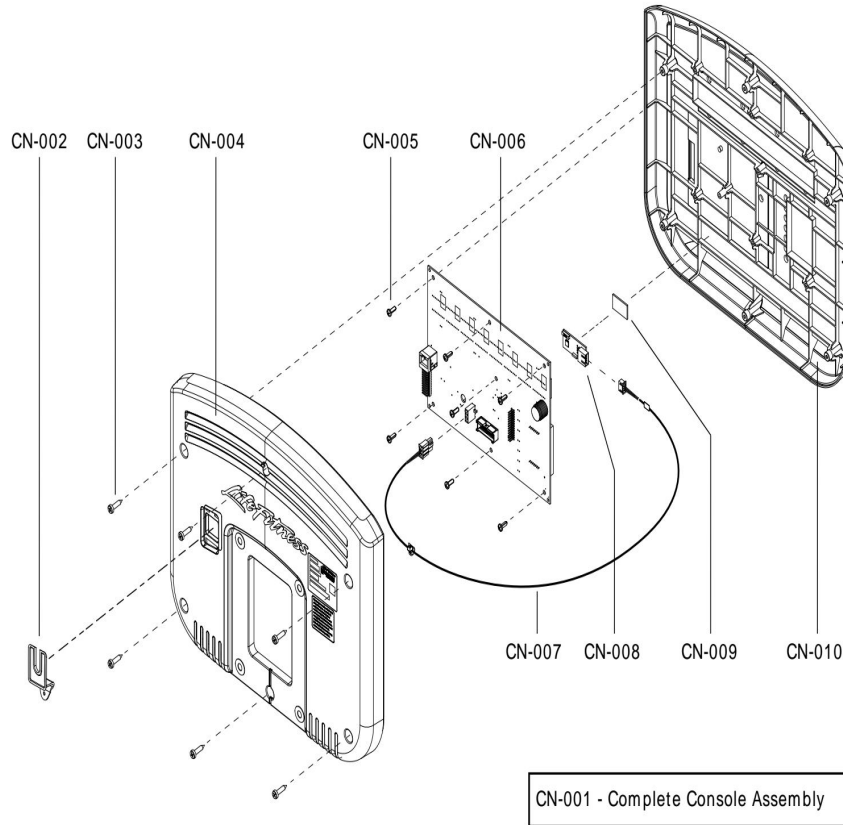
<a href="#">Base Electronics</a> .....	3
<a href="#">Console Assembly</a> .....	4
<a href="#">Drive System I</a> .....	6
<a href="#">Drive System II</a> .....	7
<a href="#">Drive System III</a> .....	8
<a href="#">Frame System I</a> .....	9
<a href="#">Frame System II</a> .....	10
<a href="#">Frame System III</a> .....	11
<a href="#">Frame System IV</a> .....	12
<a href="#">Idler Assembly</a> .....	13
<a href="#">Locking Assembly</a> .....	14
<a href="#">Miscellaneous</a> .....	15
<a href="#">Seat Assembly</a> .....	16
<a href="#">Seat Assembly Bottom</a> .....	17
<a href="#">Seat Extrusion</a> .....	18
<a href="#">Seat Frame Assembly</a> .....	19
<a href="#">Seat Pads and Tray</a> .....	20
<a href="#">Uniplate Assembly</a> .....	21
<a href="#">Wiring</a> .....	22

## Base Electronics



Ref #	Part Number	Qty	Description
BE-001	0017-00101-1796	6	Hardware: Mounting Screw 19 MM
BE-002	0017-00003-0685	1	6V Battery
BE-003	0017-00042-1055	4	Hardware: Plastic Grommet
BE-004	AK76-00024-0000	1	Resistor Assembly
BE-005	0017-00042-0622	3	Cable Tie
BE-006	AK76-00001-0000	1	Power Control Cable Assembly
BE-008	0017-00103-0385	3	Hardware: Nut 5 MM ID
BE-009	0K76-01072-0000	2	Hardware: Bracket
BE-010	0017-00101-2068	2	Hardware: Screw 12MM
BE-011	0017-00104-0466	2	Hardware: Washer 9 MM OD
BE-012	0017-00101-2072	1	Hardware: Pan Screw 170MM
BE-013	0017-00101-2073	2	Hardware: Screw 10MM
BE-014	AK77-00013-0000	1	Resistor Assembly
BE-015	B084-92218-0000	1	PCB Circuit Board
BE-016	0017-00042-0821	4	Hardware: Plastic Grommet

## Console Assembly

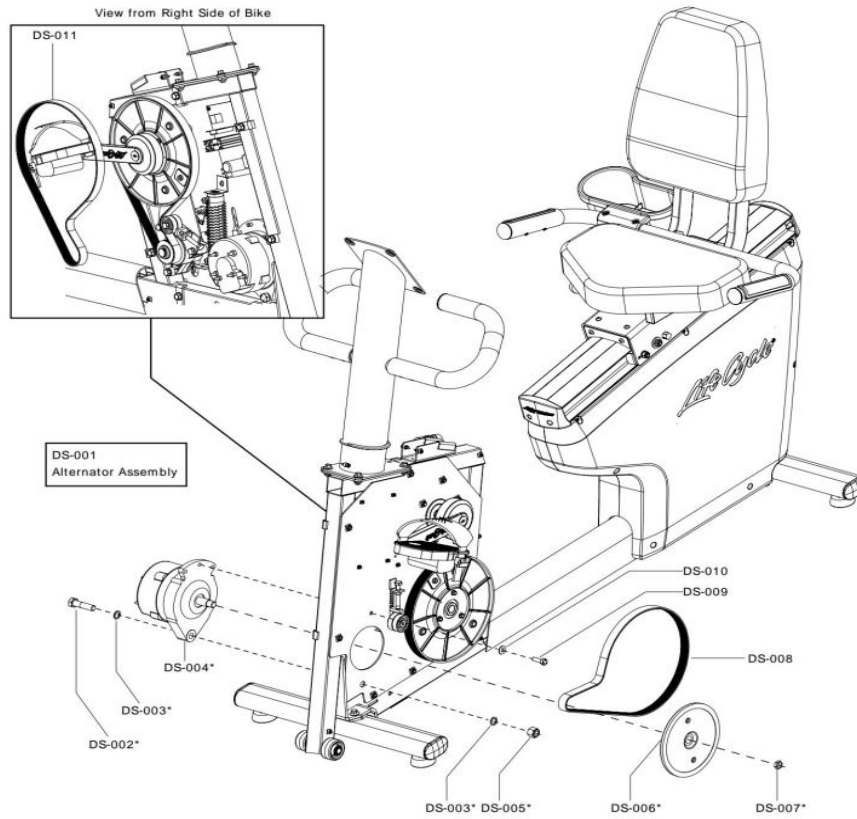


CN-001 - Complete Console Assembly

Ref #	Part Number	Qty	Description
CN-001	OLEDL-SPNXX-01N	1	Console: LifeCycle: Spanish/Metric
CN-001	OLCDL-JAPXX-01N	1	Console: LifeCycle: Japanese/Metric
CN-001	OLEDL-TURXX-01N	1	Console: LifeCycle: Turkish/Metric
CN-001	OLCDL-CHNXX-01N	1	Console: LifeCycle: Chinese/Metric
CN-001	OLCDL-KORXX-01N	1	Console: LifeCycle: Korean/Metric
CN-001	OLEDL-DUTXX-01N	1	Console: LifeCycle: Dutch/Metric
CN-001	OLEDL-PORXX-01N	1	Console: LifeCycle: Portugese/Metric
CN-001	OLEDL-ITLXX-01N	1	Console: LifeCycle: Italian/Metric
CN-001	OLEDL-GERXX-01N	1	Console: LifeCycle: German/Metric
CN-001	OLEDL-ENGXX-01N	1	Console: LifeCycle: English/English
CN-001	OLEDL-FRNXX-01N	1	Console: LifeCycle: French/Metric
CN-001	OLCDL-RUSXX-01N	1	Console: LifeCycle: Russian/Metric
CN-002	0K70-01008-0000	1	CSAFE Door
CN-003	0017-00101-1242	6	Hardware: Phillips Pan Screw 0.75"
CN-004	0K90-01002-0200	1	Console Case
CN-005	0017-00101-1650	4	Hardware: Phillips Pan Screw 0.375"
CN-006	A084-92379-0100	1	B084-92379-0000 ACTIVATE BIKE AND XTRAINER PROGRAMMED CONSOLE BOARDS WITH LCD FOR NON-TREADMILLS
CN-006	AK90-00003-0100	1	
CN-007	AK69-00157-0001	1	Polar Cable
CN-008	118E-00001-0244	1	Heart Rate Receiver
CN-009	0K39-01044-0001	1	Double-sided Tape

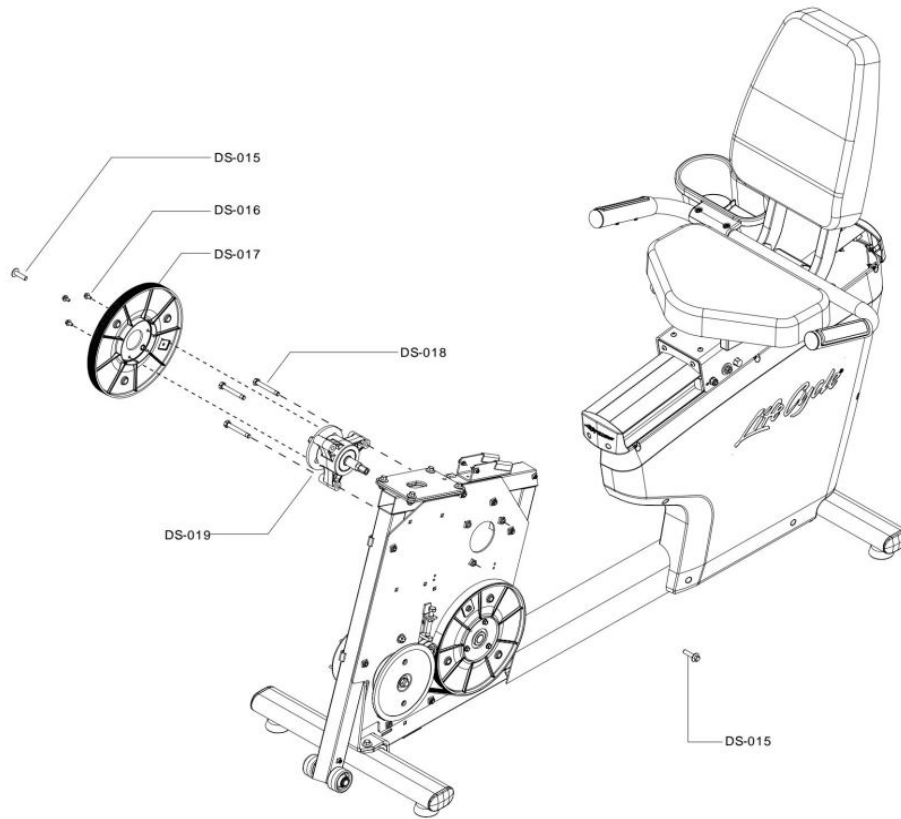
Ref #	Part Number	Qty	Description
CN-010	GK90-00002-0006	1	Bezel Switch and Overlay: Portugese/Metric
CN-010	GK90-00002-0001	1	Bezel Switch and Overlay: English/Metric
CN-010	GK90-00002-0009	1	Bezel Switch and Overlay: Chinese/Metric
CN-010	GK90-00002-0004	1	Bezel Switch and Overlay: Italian/Metric
CN-010	GK90-00002-0008	1	Bezel Switch and Overlay: German/Metric
CN-010	GK90-00002-0012	1	Bezel Switch and Overlay: Japanese/Metric
CN-010	GK90-00002-0011	1	Bezel Switch and Overlay: Russian/Metric
CN-010	GK90-00002-0000	1	Bezel Switch and Overlay: English/English
CN-010	GK90-00002-0003	1	Bezel Switch and Overlay: Spanish/Metric
CN-010	GK90-00002-0005	1	Bezel Switch and Overlay: Dutch/Metric
CN-010	GK90-00002-0002	1	Bezel Switch and Overlay: French/Metric
CN-010	GK90-00002-0007	1	Bezel Switch and Overlay: Turkish/Metric
CN-010	GK90-00002-0010	1	Bezel Switch and Overlay: Korean/Metric

# Drive System I



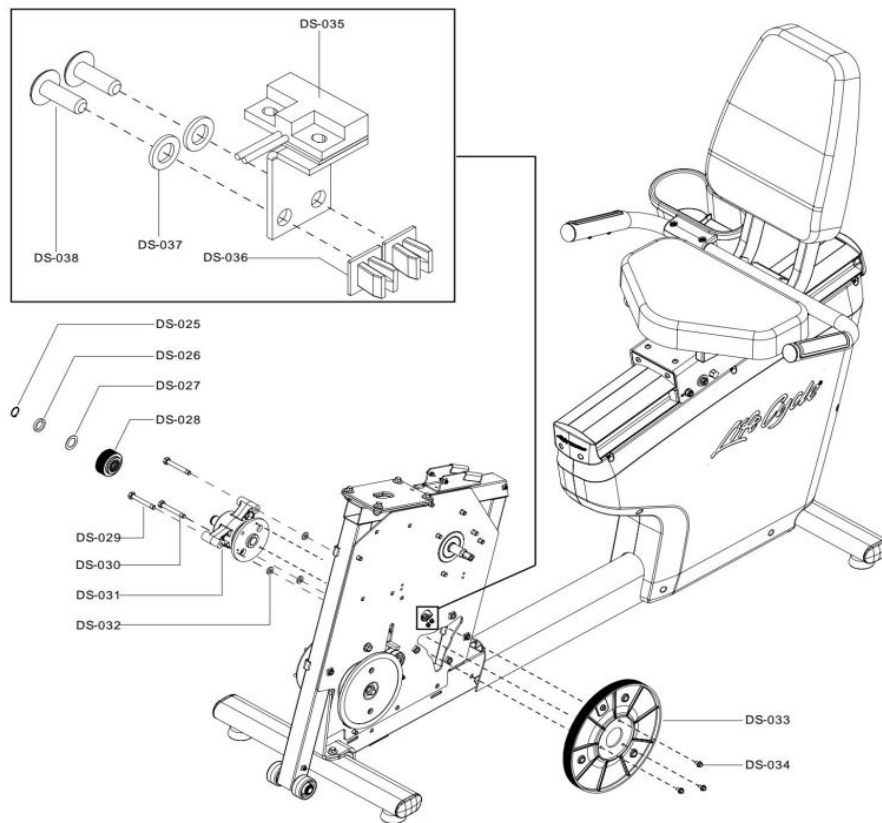
Ref #	Part Number	Qty	Description
DS-001	AK76-00033-0000	1	Alternator Assembly
DS-008	0K76-01105-0000	1	BELT: POLY-V; 8PJ960
DS-009	0017-00101-0832	1	Hardware: Mounting Bolt. 1"
DS-010	0017-00104-0164	1	Hardware: Washer 0.75" OD
DS-011	0K76-01106-0000	1	BELT: POLY-V; 8PJ1016

## Drive System II



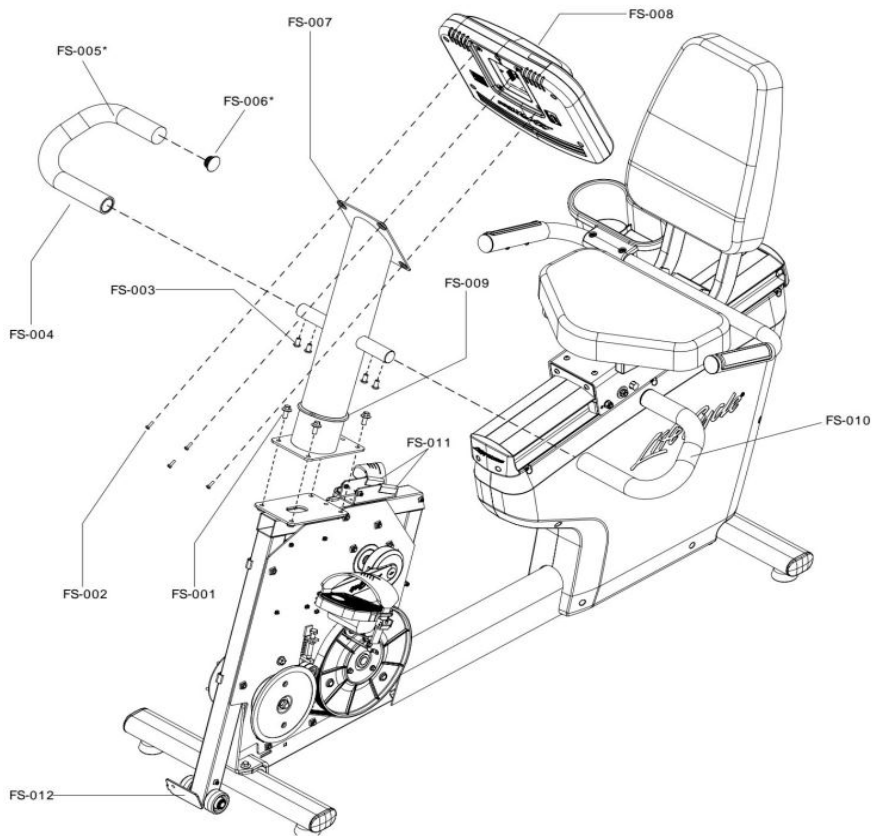
Ref #	Part Number	Qty	Description
DS-015	0017-00101-2077	2	Hardware: Screw 30MM
DS-016	0017-00101-2070	3	Hardware: Screw 10MM
DS-017	AK76-00023-0000	1	Pulley with Magnet
DS-018	0017-00101-2090	3	Hardware: Hex Bolt 60MM
DS-019	AK76-00018-0000	1	Crankshaft Hub Assembly

## Drive System III



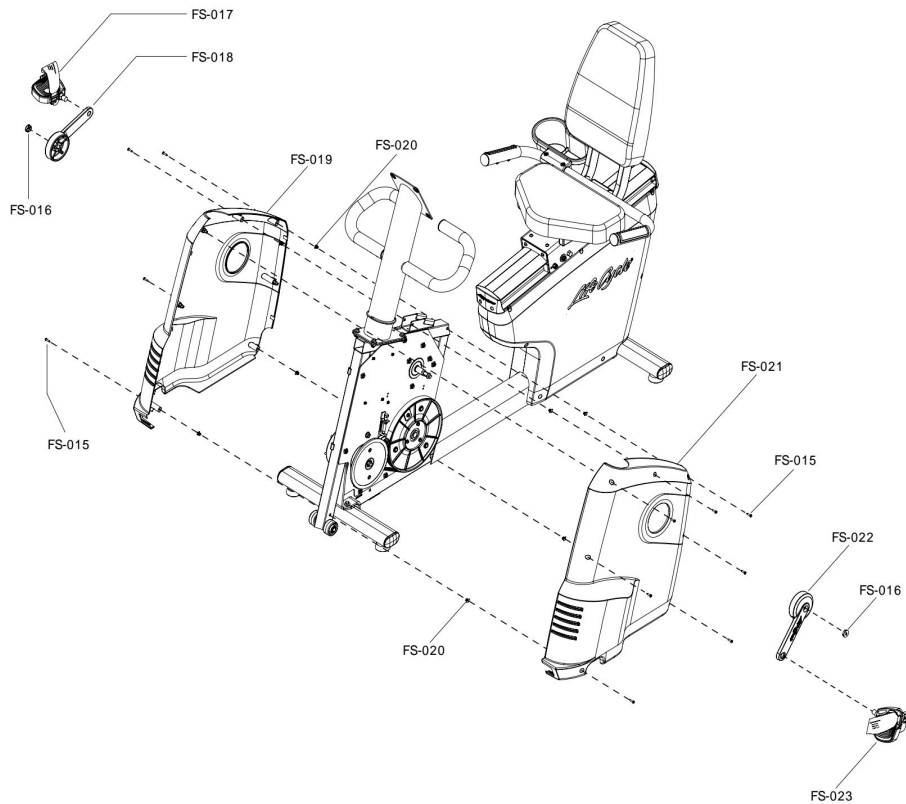
Ref #	Part Number	Qty	Description
DS-025	0017-00100-0242	1	Hardware: Retaining Ring .781"
DS-026	0K76-01071-0000	1	Hardware: Shaft Spacer
DS-027	0K76-01066-0000	1	Hardware: Washer
DS-028	AK76-00022-0000	1	Clutch Pulley Assembly
DS-029	0017-00101-2090	2	Hardware: Hex Bolt 60MM
DS-030	0017-00101-2093	1	Hardware: Bolt 55MM
DS-031	AK76-00035-0000	1	Intermediate Hub Assembly
DS-032	0017-00104-0514	3	Hardware: Washer 16 MM OD
DS-033	AK76-00023-0000	1	Pulley with Magnet
DS-034	0017-00101-2070	3	Hardware: Screw 10MM
DS-035	AK76-00028-0000	1	Reed Switch Assembly
DS-036	0017-00042-1055	2	Hardware: Plastic Grommet
DS-037	0017-00104-0466	2	Hardware: Washer 9 MM OD
DS-038	0017-00101-2068	2	Hardware: Screw 12MM

# Frame System I



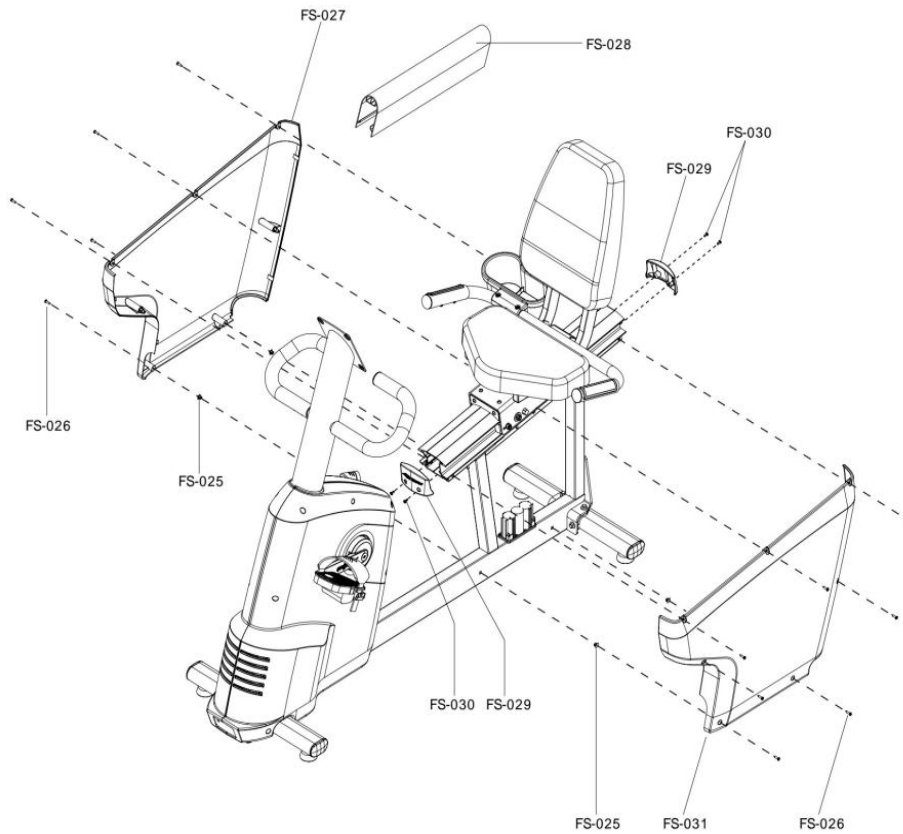
Ref #	Part Number	Qty	Description
FS-001	0017-00101-2091	4	Hardware: Screw 16MM
FS-002	0017-00101-1940	4	Hardware: Screw 14MM
FS-003	0017-00101-2088	4	Hardware: Screw 15MM
FS-004	AK76-00010-0000	1	Handlebar: Left
FS-005	0K76-01018-0700	2	Handlebar Grip
FS-006	REX2B82	2	Cap, Handle Bar End
FS-007	AK76-00009-5100	1	Weldment: Mono-column
FS-009	0K76-01013-0700	1	Mono-column Gasket
FS-010	AK76-00036-0000	1	Handlebar: Right
FS-011	0K76-01059-0000	2	Center Cover Protective Trim
FS-012	0K76-01012-0200	1	Power/Coax Bracket

## Frame System II



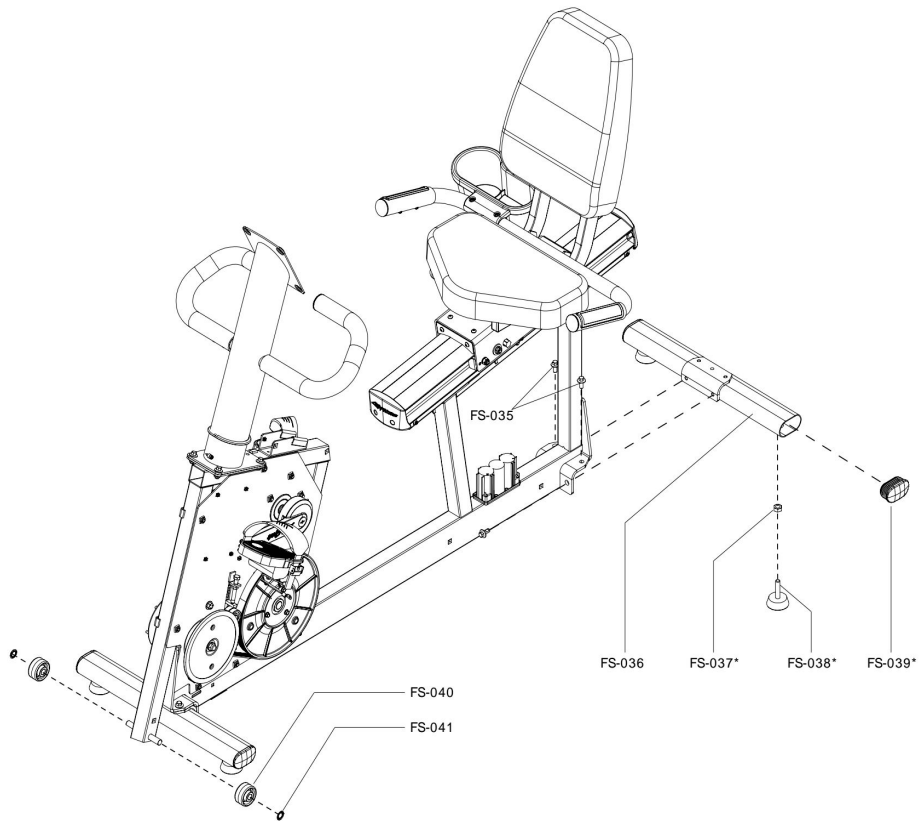
Ref #	Part Number	Qty	Description
FS-015	0017-00101-1796	11	Hardware: Mounting Screw 19 MM
FS-016	0K76-01092-0000	2	Crank Cap
FS-017	AK66-00047-0001	1	Right Pedal W/ Strap Assembly
FS-018	0K76-01054-0000	1	Right Crank Arm
FS-019	AK76-00005-0200	1	Shroud: Front Right
FS-020	0017-00042-1055	11	Hardware: Plastic Grommet
FS-021	0K76-01006-0200	1	Shroud: Front Left
FS-022	0K76-01053-0000	1	Left Crank Arm
FS-023	AK66-00048-0001	1	Left Pedal W/ Strap Assembly

## Frame System III



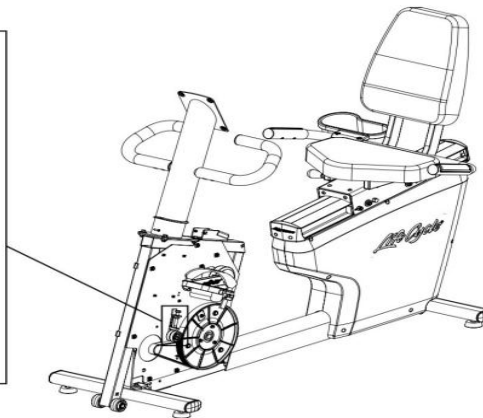
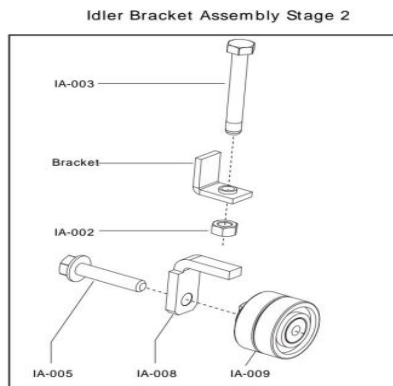
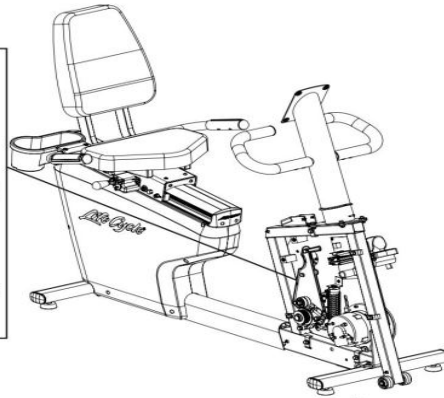
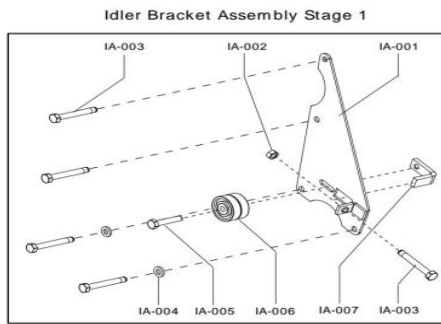
Ref #	Part Number	Qty	Description
FS-025	0017-00042-1055	4	Hardware: Plastic Grommet
FS-026	0017-00101-1796	12	Hardware: Mounting Screw 19 MM
FS-027	AK76-00007-0200	1	Shroud: Rear Right
FS-028	0K76-01010-0100	1	Center Cover Extrusion
FS-029	0K76-01011-0200	2	Seat Carriage End Cap
FS-030	0017-00101-2067	4	Hardware: End Cap Screw 10MM
FS-031	AK76-00006-0200	1	Shroud: Rear Left

# Frame System IV



Ref #	Part Number	Qty	Description
FS-035	0017-00101-2091	8	Hardware: Screw 16MM
FS-036	AK76-00034-0000	2	Stabilizer Assembly
FS-037	0017-00103-0384	4	Hardware: Jam Nut 10 MM ID
FS-038	0K76-01086-0000	4	Leg Leveler
FS-039	0K76-01087-0000	4	End Cap
FS-040	0K76-01057-0700	2	Wheel
FS-041	0017-00100-0260	2	Hardware: Retaining Ring

# Idler Assembly

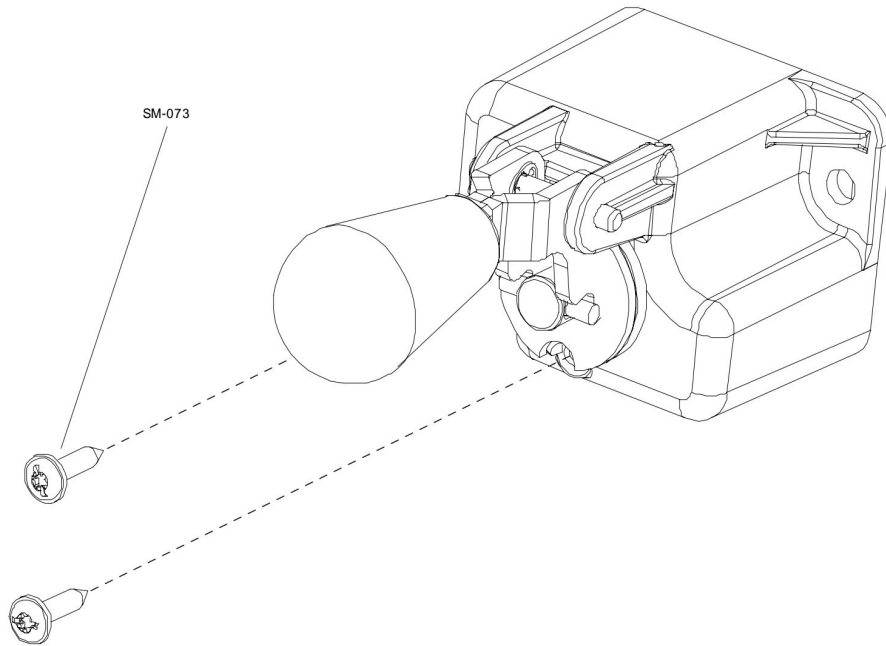


Ref #	Part Number	Qty	Description
IA-001	AK76-00029-0000	1	Bracket Assembly: Tensioner 1st Stage
IA-002	0017-00103-0328	2	Hardware: Nut 8 MM ID
IA-003	0017-00101-2090	6	Hardware: Hex Bolt 60MM
IA-004	0017-00104-0514	2	Hardware: Washer 16 MM OD
IA-005	0017-00101-2080	1	Hardware: Hex Bolt 40MM
IA-006	AK76-00030-0000	1	Idler Assembly: 1st Stage
IA-007	0K76-01081-0000	1	Hardware: Tensioner Bracket - Stage 1
IA-008	0K76-01082-0000	1	Hardware: Tensioner Bracket - Stage 2
IA-009	AK76-00027-0000	1	Idler Assembly: 2nd Stage

# Locking Assembly

---

SM-072  
Locking Assembly



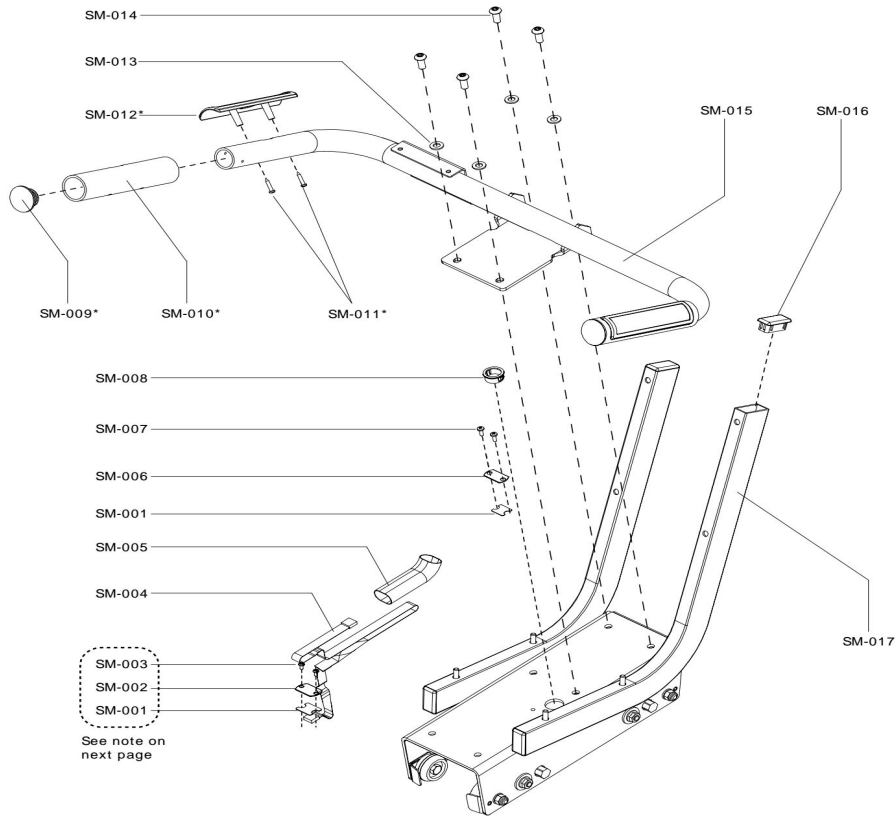
Ref #	Part Number	Qty	Description
SM-072	AK51-00053-0001	1	Lock Assembly
SM-073	0017-00101-1742	2	Hardware: TORX Screw 0.75"

**Miscellaneous**

---

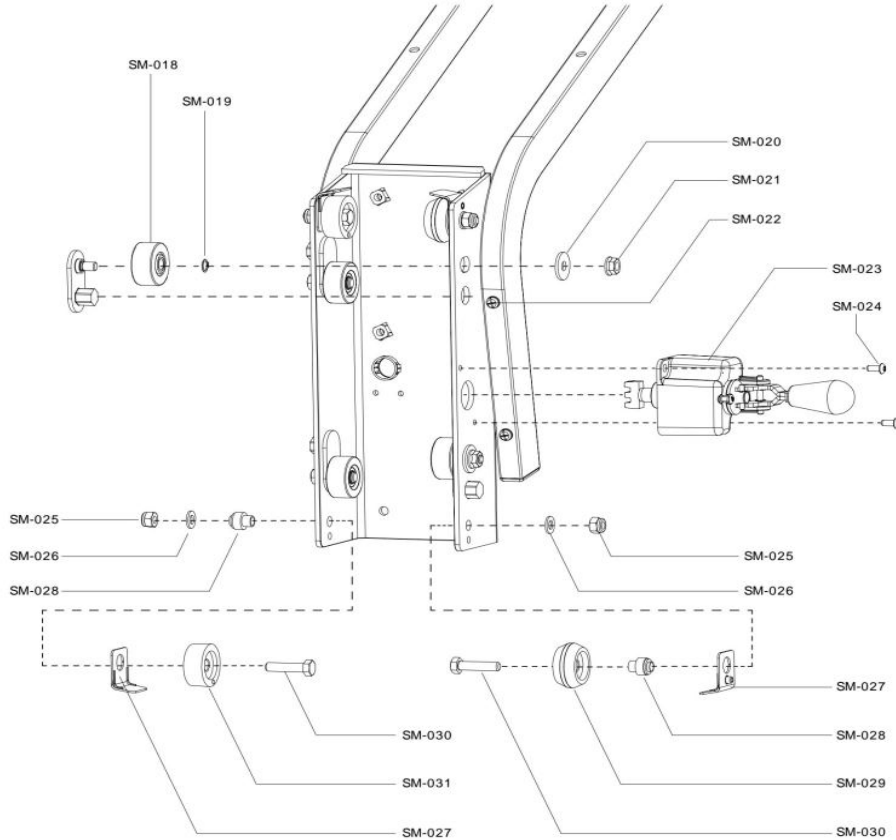
Ref #	Part Number	Qty	Description
-	0017-00008-0204	1	Paint Spray Can - Arctic Silver
-	0017-00008-0205	1	5 oz Bottle - Arctic Silver
	OLCK-BRAHX-01	1	ACTIVATE LIFECYCLE OPTIONAL LINE CORD KIT BRAZIL H
	OLCK-INTHX-01	1	ACTIVATE LIFECYCLE OPTIONAL LINE CORD KIT HIGH
	0017-00003-0918	1	Line Cord - Australia
	0017-00003-0691	1	Line Cord Cont 10A 250 V
-	0017-00008-0206	1	.33oz Pen - Arctic Silver
	OLCK-DOMLX-01	1	ACTIVATE LIFECYCLE OPTIONAL LINE CORD KIT LOW
	0017-00003-0889	1	Line Cord Cont U.K. 10A
	0017-00003-0704	1	Line Cord 10A 125 V

# Seat Assembly



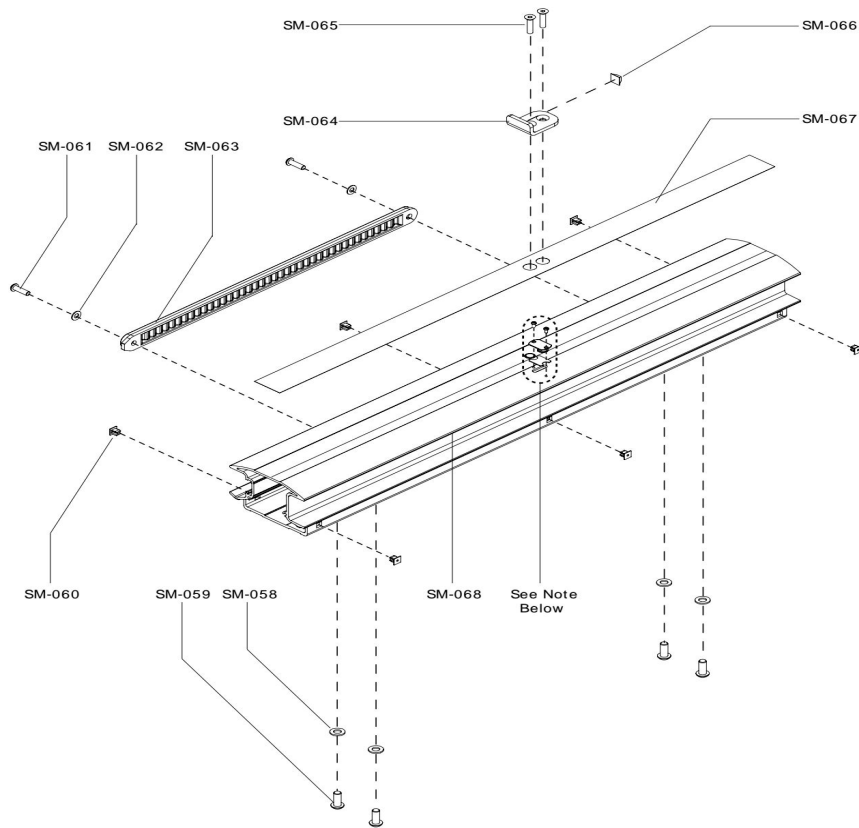
Ref #	Part Number	Qty	Description
SM-001	0K19-01222-0000	1	Double-sided Foam Tape
SM-002	0K76-01022-0000	1	Hardware: Cable Clamp
SM-003	0017-00101-2065	2	Hardware: Clamp Screw 6MM
SM-004	AK19-00082-0001	1	Flat Flex Cable
SM-005	0K76-01037-0000	1	Cable Sleeve
SM-006	0K76-01032-0000	1	Hardware: Cable Clamp
SM-007	0017-00101-2053	2	Hardware: Clamp Screw 12MM
SM-008	0017-00042-1227	1	Hole Bushing
SM-009	0K76-01091-0700	2	End Cap
SM-010	0K76-01029-0700	2	Handlebar Seat Grip
SM-011	0017-00101-2069	4	Hardware: Screw 20MM
SM-012	AK76-00008-0200	2	Heart Rate Electrode Assembly
SM-013	0017-00104-0469	4	Hardware: Flat Washer 16MM OD
SM-014	0017-00101-2089	4	Hardware: Screw 20MM
SM-015	AK76-00015-5200	1	Seat Handlebar Assembly
SM-016	0K76-01098-0700	4	End Cap
SM-017	AK76-00012-5200	1	Weldment: Seat Carriage

## Seat Assembly Bottom



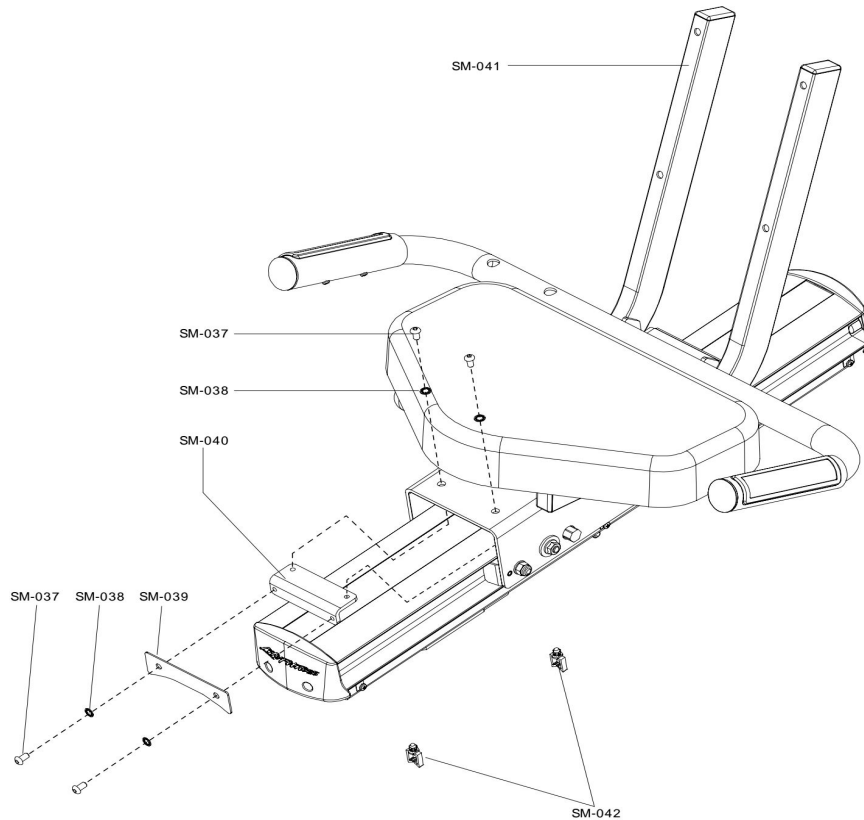
Ref #	Part Number	Qty	Description
SM-018	0K19-01130-0000	4	Preload Roller
SM-019	0017-00100-0156	4	Hardware: Retaining Ring
SM-020	0017-00104-0479	4	Hardware: Flat Washer 25.4MM OD
SM-021	0017-00103-0386	4	Hardware: Nut 8 MM ID
SM-022	0017-00101-2076	4	Hardware: Screw 55MM
SM-024	0017-00101-2071	2	Hardware: Screw 12MM
SM-025	0017-00103-0387	4	Hardware: Nut 8 MM ID
SM-026	0017-00104-0469	4	Hardware: Flat Washer 16MM OD
SM-027	0K76-01035-0200	4	Roller Shield
SM-028	0K76-01036-0000	4	Hardware: Spacer
SM-029	0K51-01034-0001	2	Seat Roller: Right
SM-030	0017-00101-2079	4	Hardware: Bolt 35MM
SM-031	0K51-01034-0002	2	Seat Roller: Left

## Seat Extrusion



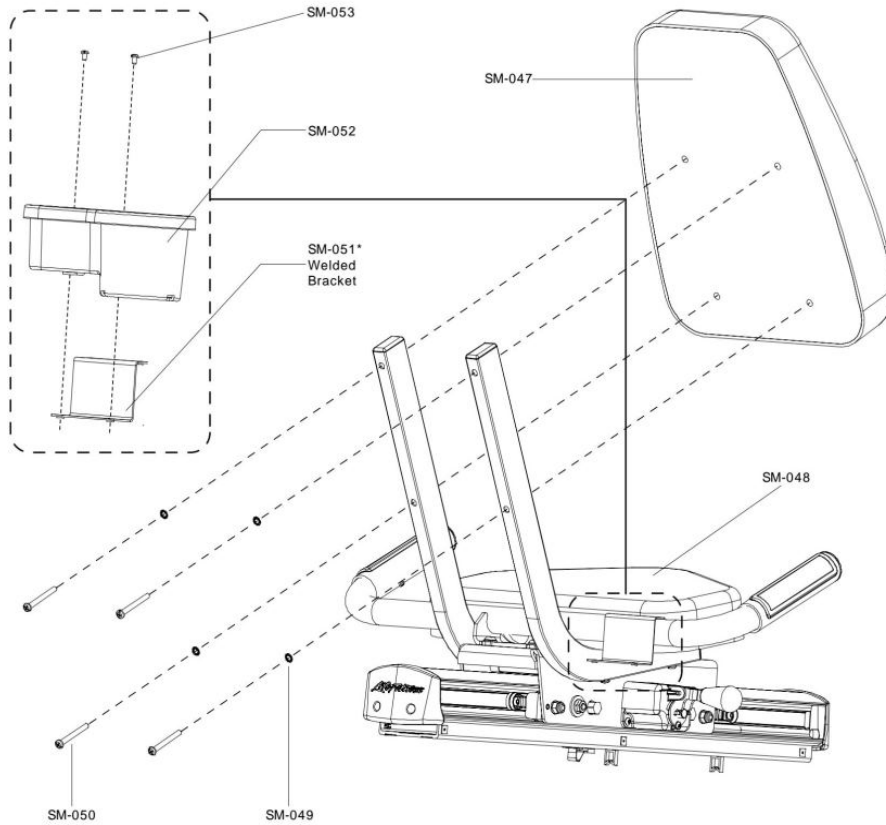
Ref #	Part Number	Qty	Description
SM-058	0017-00104-0469	4	Hardware: Flat Washer 16MM OD
SM-059	0017-00101-2089	4	Hardware: Screw 20MM
SM-060	0017-00042-1055	6	Hardware: Plastic Grommet
SM-061	0017-00101-2052	2	Hardware: Rack Screw 20MM
SM-062	0017-00104-0513	2	Hardware: Washer 13 MM OD
SM-063	0K76-01020-0200	1	Locking Rack
SM-064	0K51-01061-0001	1	Stop Bracket
SM-065	0017-00101-2075	2	Hardware: Screw 25MM
SM-068	AK76-00011-0000	1	Seat Extrusion Assembly

## Seat Frame Assembly



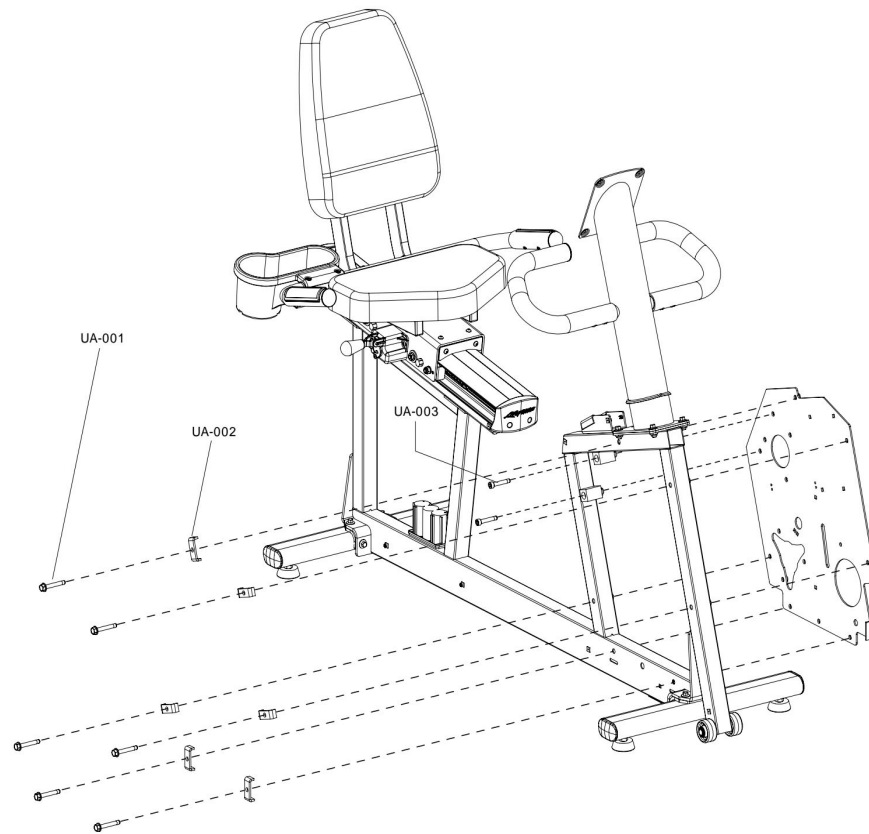
Ref #	Part Number	Qty	Description
SM-037	0017-00101-2074	4	Hardware: Torx Screw 12MM
SM-038	0017-00104-0512	4	Hardware: Washer 11 MM OD
SM-039	0K76-01031-0200	1	Front Stop Shield
SM-040	0K76-01030-0200	1	Front Stop Bracket
SM-041	AK76-00012-5200	1	Weldment: Seat Carriage
SM-042	0017-00009-1303	2	Hardware: Push Mount Wire Clip

**Seat Pads and Tray**



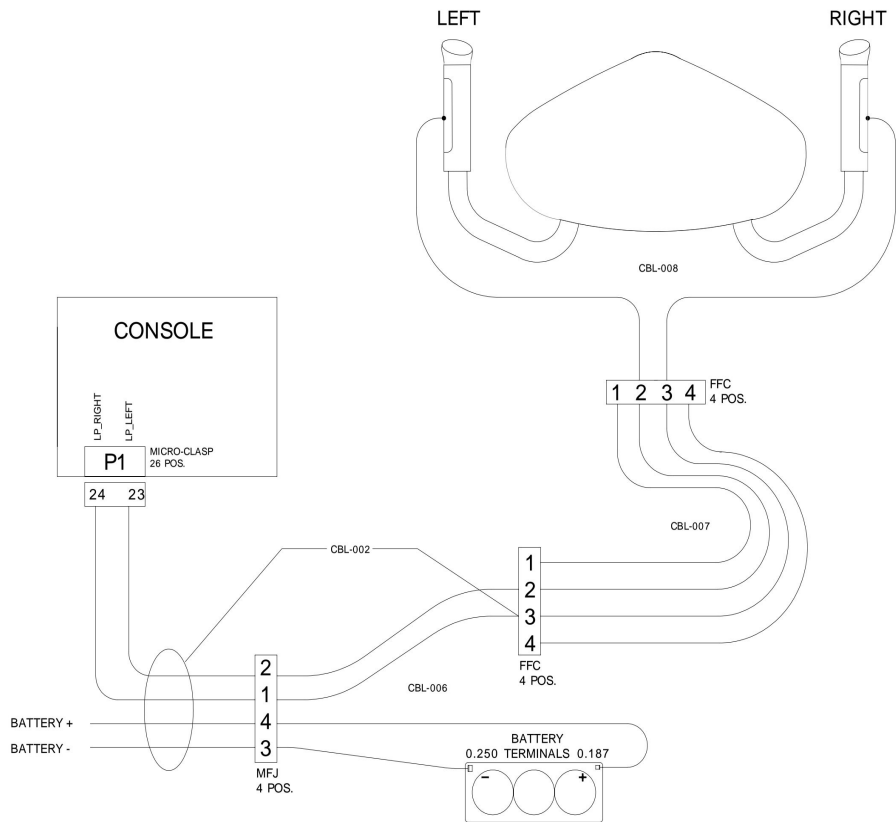
Ref #	Part Number	Qty	Description
SM-047	0K76-01039-0000	1	Pad: Back Seat
SM-048	0K76-01038-0000	1	Pad: Bottom Seat
SM-049	0017-00104-0512	4	Hardware: Washer 11 MM OD
SM-050	0017-00101-2076	4	Hardware: Screw 55MM
SM-052	0K76-01090-0200	1	Accessory Tray
SM-053	0017-00101-2086	4	Hardware: Screw 8MM

## Uniplate Assembly



Ref #	Part Number	Qty	Description
UA-001	0017-00101-2083	6	Hardware: Hex Bolt 55MM
UA-002	0K76-01058-0000	6	Hardware: Clamp Bracket
UA-003	0017-00101-2082	2	Hardware: Hex Bolt 45MM
UA-004	AK76-00017-0000	1	Uni-Plate Assembly





Ref #	Part Number	Qty	Description
CBL-001	AK69-00157-0001	1	Polar Cable
CBL-002	AK76-00037-0000	2	CABLE ASSY: CONSOLE; UPPER
CBL-003	118E-00001-0140	1	Reed Switch SPDT
CBL-004	AK76-00004-0000	1	DC Power Cable Assembly
CBL-005	AK76-00001-0000	1	Power Control Cable Assembly
CBL-006	AK76-00039-0000	1	CABLE ASSY: CONSOLE; HR
CBL-007	AK19-00082-0001	1	Flat Flex Cable
CBL-008	AK39-00010-0000	1	Cable Assembly: 2-sensor Handlebar
	AK76-00038-0000	1	CABLE ASSY: CONSOLE; UPPER-BOARD-BATTERY

