

Optima - Recumbent Lifecycle Base

OSR-ALLXX-01

Parts Manual

9/6/2014 19:57:01 PM

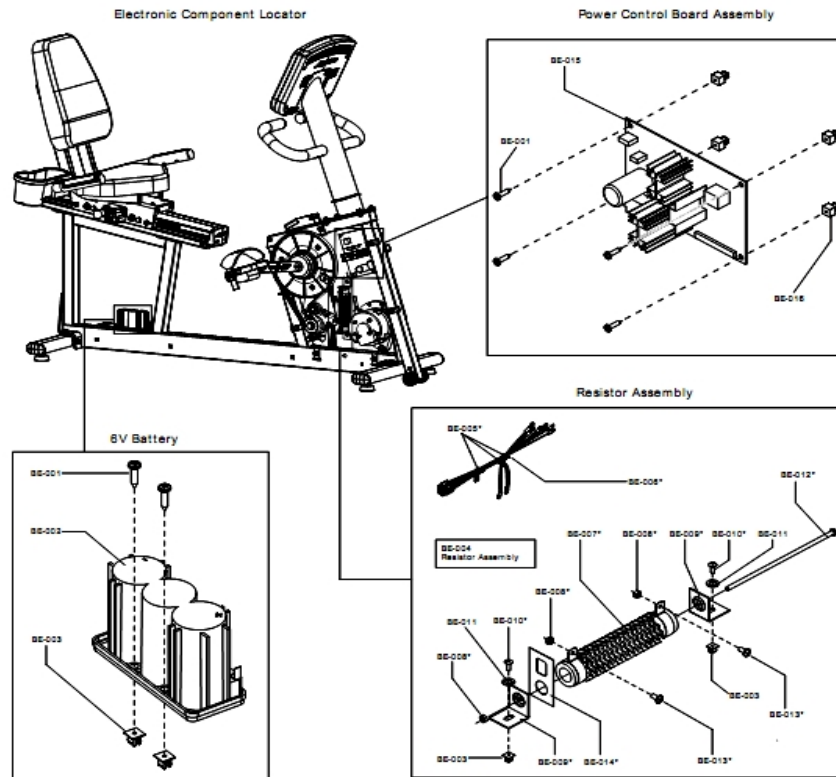


LifeFitness
WHAT WE LIVE FOR

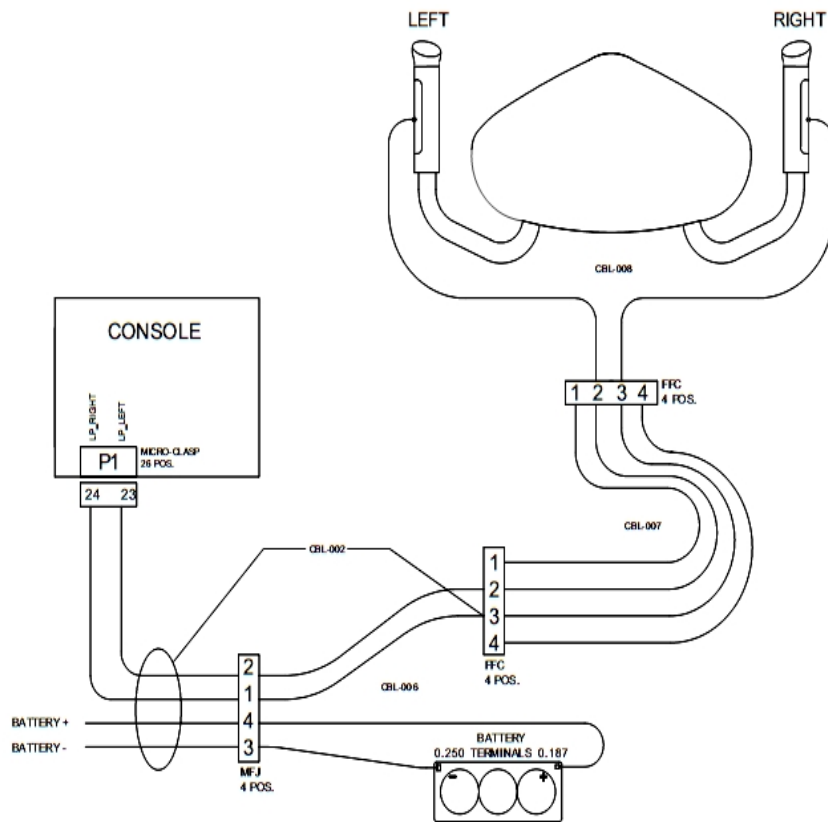
Table of Contents

Base Electronics	3
Cable Assembly	4
Console Assembly	6
Drive System I	8
Drive System II	9
Drive System III	10
Frame System I	11
Frame System II	12
Frame System III	13
Frame System IV	14
Idler Assembly	15
Locking Assembly	16
Miscellaneous	17
Seat Assembly	18
Seat Assembly Bottom	19
Seat Extrusion	20
Seat Frame Assembly	21
Seat Pads and Tray	22
Uniplate Assembly	23

Base Electronics

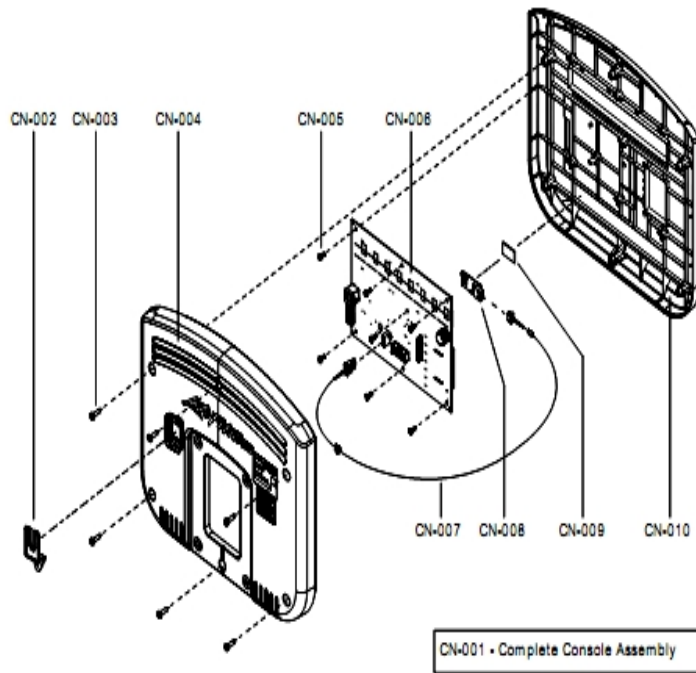


Ref #	Part Number	Qty	Description
BE-001	0017-00101-1796	6	Hardware: Mounting Screw 19 MM
BE-002	0017-00003-0685	1	6V Battery
BE-003	0017-00042-1055	4	Hardware: Plastic Grommet
BE-004	AK76-00024-0000	1	Resistor Assembly
BE-005	0017-00042-0622	3	Cable Tie
BE-006	AK76-00001-0000	1	Power Control Cable Assembly
BE-008	0017-00103-0385	3	Hardware: Nut 5 MM ID
BE-009	0K76-01072-0000	2	Hardware: Bracket
BE-010	0017-00101-2068	2	Hardware: Screw 12MM
BE-011	0017-00104-0466	2	Hardware: Washer 9 MM OD
BE-012	0017-00101-2072	1	Hardware: Pan Screw 170MM
BE-013	0017-00101-2073	2	Hardware: Screw 10MM
BE-014	AK77-00013-0000	1	Resistor Assembly
BE-015	B084-92218-0000	1	PCB Circuit Board
BE-016	0017-00042-0821	4	Hardware: Plastic Grommet



Ref #	Part Number	Qty	Description
CBL-001	AK69-00157-0001	1	Polar Cable
CBL-002	AK76-00037-0000	2	CABLE ASSY: CONSOLE; UPPER
CBL-003	118E-00001-0140	1	Reed Switch SPDT
CBL-004	AK76-00004-0000	1	DC Power Cable Assembly
CBL-005	AK76-00001-0000	1	Power Control Cable Assembly
CBL-006	AK76-00039-0000	1	CABLE ASSY: CONSOLE; HR
CBL-007	AK19-00082-0001	1	Flat Flex Cable
CBL-008	AK39-00010-0000	1	Cable Assembly: 2-sensor Handlebar
	AK76-00038-0000	1	CABLE ASSY: CONSOLE; UPPER-BOARD-BATTERY

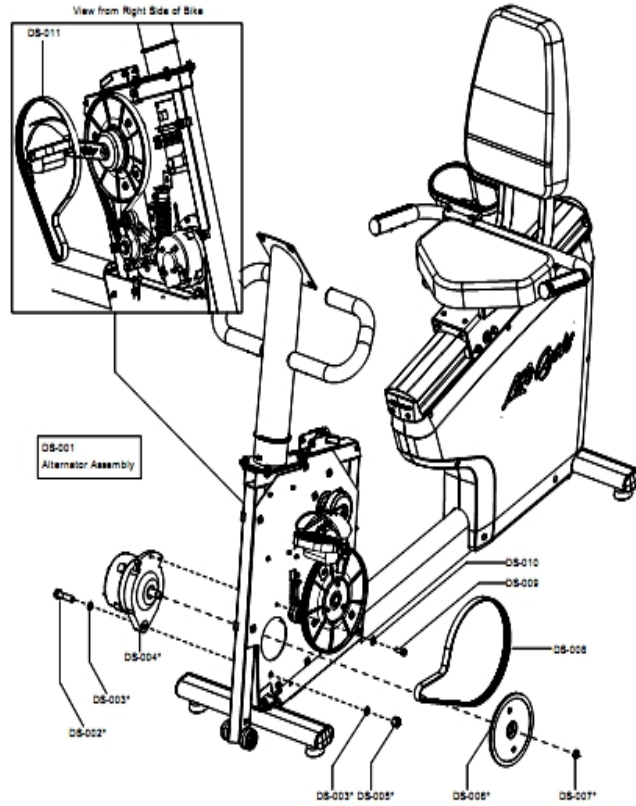
Console Assembly



Ref #	Part Number	Qty	Description
CN-001	OLCDL-JAPXX-01N	1	Console: LifeCycle: Japanese/Metric
CN-001	OLEDL-DUTXX-01N	1	Console: LifeCycle: Dutch/Metric
CN-001	OLCDL-KORXX-01N	1	Console: LifeCycle: Korean/Metric
CN-001	OLEDL-SPNXX-01N	1	Console: LifeCycle: Spanish/Metric
CN-001	OLEDL-PORXX-01N	1	Console: LifeCycle: Portugese/Metric
CN-001	OLCDL-CHNXX-01N	1	Console: LifeCycle: Chinese/Metric
CN-001	OLEDL-TURXX-01N	1	Console: LifeCycle: Turkish/Metric
CN-001	OLEDL-ITLXX-01N	1	Console: LifeCycle: Italian/Metric
CN-001	OLEDL-GERXX-01N	1	Console: LifeCycle: German/Metric
CN-001	OLEDL-ENGXX-01N	1	Console: LifeCycle: English/English
CN-001	OLEDL-FRNXX-01N	1	Console: LifeCycle: French/Metric
CN-001	OLCDL-RUSXX-01N	1	Console: LifeCycle: Russian/Metric
CN-002	0K70-01008-0000	1	CSAFE Door
CN-003	0017-00101-1242	6	Hardware: Phillips Pan Screw 0.75"
CN-004	0K90-01002-0200	1	Console Case
CN-005	0017-00101-1650	4	Hardware: Phillips Pan Screw 0.375"
CN-006	A084-92380-0100	1	B084-92380-0000 FOR ACTIVATE CCD BIKE AND XTRAINER
CN-006	A084-92379-0100	1	B084-92379-0000 ACTIVATE BIKE AND XTRAINER
CN-007	AK69-00157-0001	1	Polar Cable
CN-008	118E-00001-0244	1	Heart Rate Receiver
CN-009	0K39-01044-0001	1	Double-sided Tape

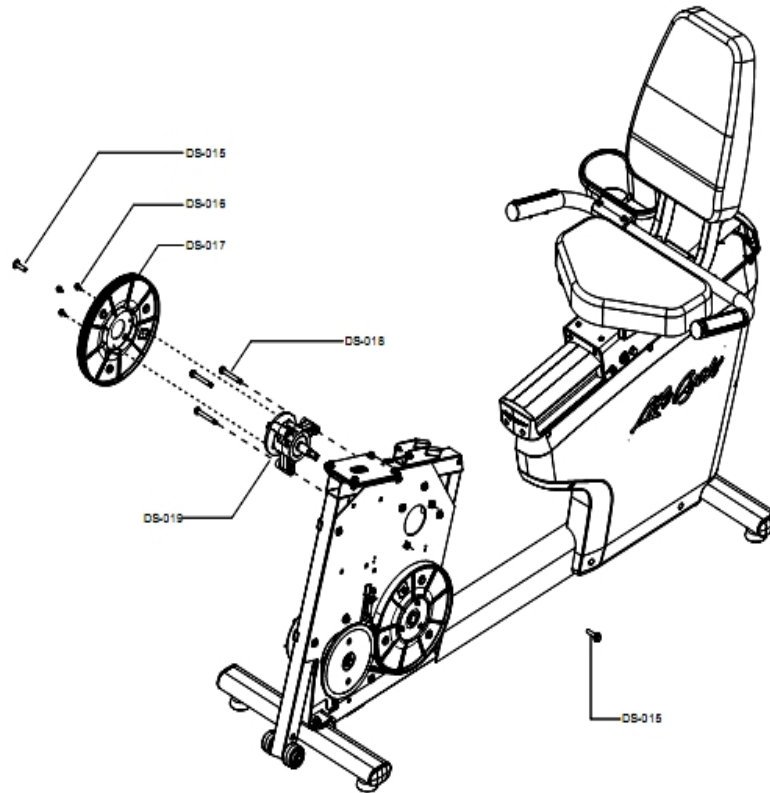
Ref #	Part Number	Qty	Description
CN-010	GK90-00002-0004	1	Bezel Switch and Overlay: Italian/Metric
CN-010	GK90-00002-0005	1	Bezel Switch and Overlay: Dutch/Metric
CN-010	GK90-00002-0006	1	Bezel Switch and Overlay: Portugese/Metric
CN-010	GK90-00002-0008	1	Bezel Switch and Overlay: German/Metric
CN-010	GK90-00002-0012	1	Bezel Switch and Overlay: Japanese/Metric
CN-010	GK90-00002-0009	1	Bezel Switch and Overlay: Chinese/Metric
CN-010	GK90-00002-0007	1	Bezel Switch and Overlay: Turkish/Metric
CN-010	GK90-00002-0011	1	Bezel Switch and Overlay: Russian/Metric
CN-010	GK90-00002-0010	1	Bezel Switch and Overlay: Korean/Metric
CN-010	GK90-00002-0002	1	Bezel Switch and Overlay: French/Metric
CN-010	GK90-00002-0000	1	Bezel Switch and Overlay: English/English
CN-010	GK90-00002-0003	1	Bezel Switch and Overlay: Spanish/Metric
CN-010	GK90-00002-0001	1	Bezel Switch and Overlay: English/Metric

Drive System I



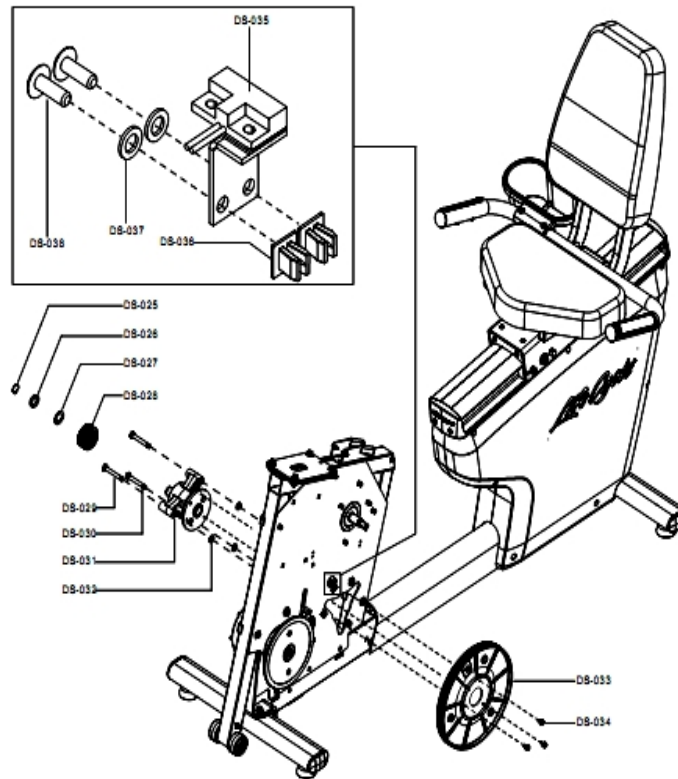
Ref #	Part Number	Qty	Description
DS-001	AK76-00033-0000	1	Alternator Assembly
DS-008	0K76-01105-0000	1	BELT: POLY-V; 8PJ960
DS-009	0017-00101-0832	1	Hardware: Mounting Bolt. 1"
DS-010	0017-00104-0164	1	Hardware: Washer 0.75" OD
DS-011	0K76-01106-0000	1	BELT: POLY-V; 8PJ1016

Drive System II



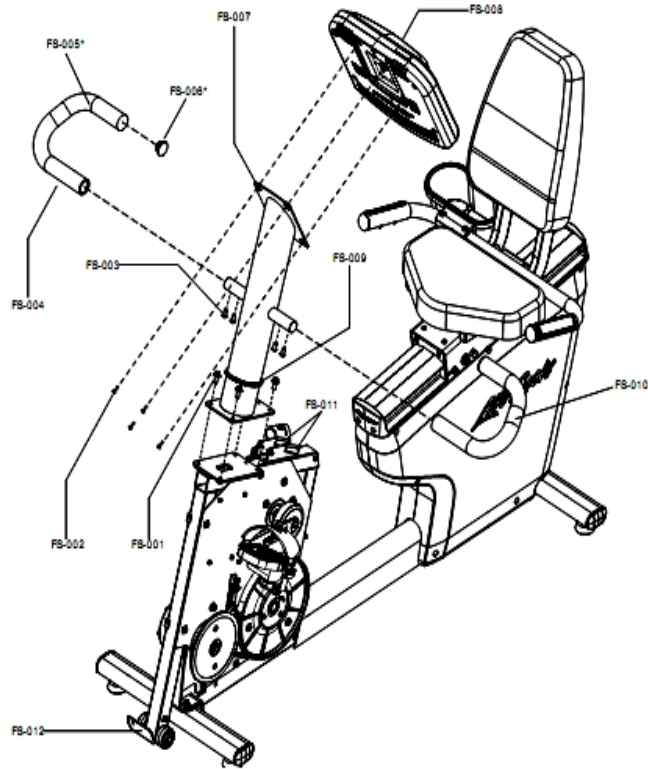
Ref #	Part Number	Qty	Description
DS-015	0017-00101-2077	2	Hardware: Screw 30MM
DS-016	0017-00101-2070	3	Hardware: Screw 10MM
DS-017	AK76-00023-0000	1	Pulley with Magnet
DS-018	0017-00101-2090	3	Hardware: Hex Bolt 60MM
DS-019	AK76-00018-0000	1	Crankshaft Hub Assembly

Drive System III



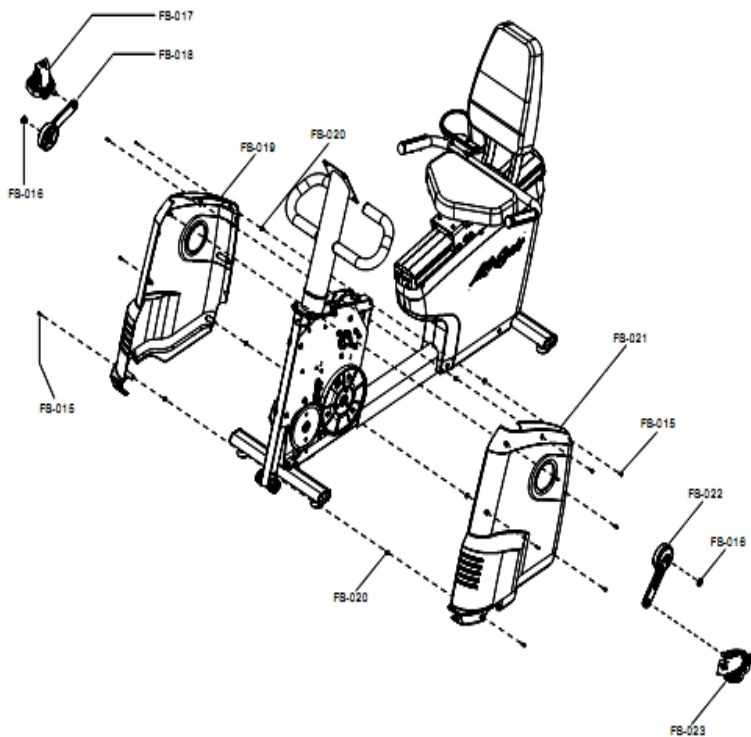
Ref #	Part Number	Qty	Description
DS-025	0017-00100-0242	1	Hardware: Retaining Ring .781"
DS-026	0K76-01071-0000	1	Hardware: Shaft Spacer
DS-027	0K76-01066-0000	1	Hardware: Washer
DS-028	AK76-00022-0000	1	Clutch Pulley Assembly
DS-029	0017-00101-2090	2	Hardware: Hex Bolt 60MM
DS-030	0017-00101-2093	1	Hardware: Bolt 55MM
DS-031	AK76-00035-0000	1	Intermediate Hub Assembly
DS-032	0017-00104-0514	3	Hardware: Washer 16 MM OD
DS-033	AK76-00023-0000	1	Pulley with Magnet
DS-034	0017-00101-2070	3	Hardware: Screw 10MM
DS-035	AK76-00028-0000	1	Reed Switch Assembly
DS-036	0017-00042-1055	2	Hardware: Plastic Grommet
DS-037	0017-00104-0466	2	Hardware: Washer 9 MM OD
DS-038	0017-00101-2068	2	Hardware: Screw 12MM

Frame System I



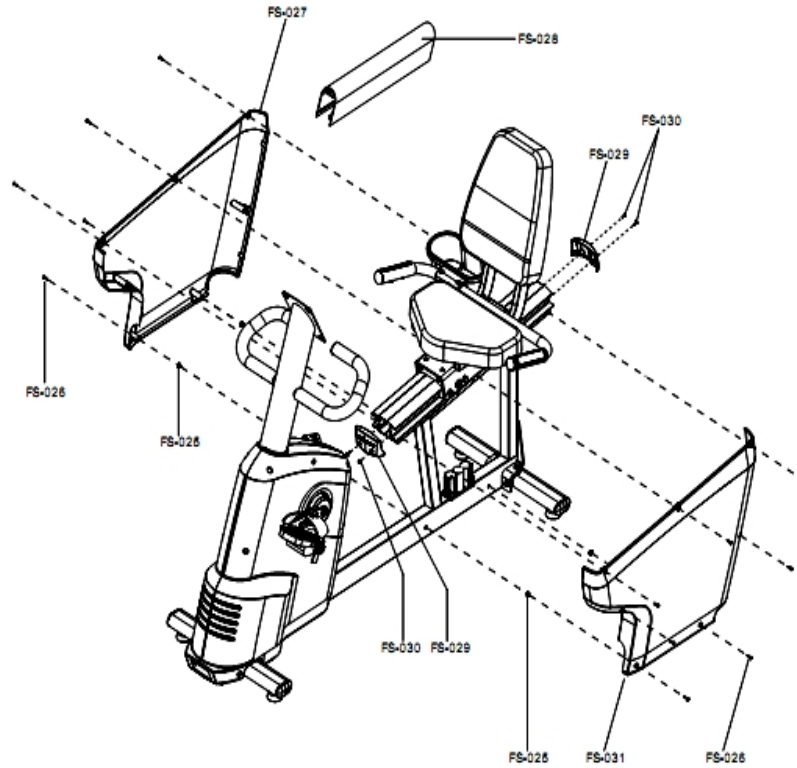
Ref #	Part Number	Qty	Description
FS-001	0017-00101-2091	4	Hardware: Screw 16MM
FS-002	0017-00101-1940	4	Hardware: Screw 14MM
FS-003	0017-00101-2088	4	Hardware: Screw 15MM
FS-004	AK76-00010-0000	1	Handlebar: Left
FS-005	0K76-01018-0700	2	Handlebar Grip
FS-006	0K76-01097-0700	2	End Cap
FS-007	AK76-00009-5100	1	Weldment: Mono-column
FS-009	0K76-01013-0700	1	Mono-column Gasket
FS-010	AK76-00036-0000	1	Handlebar: Right
FS-011	0K76-01059-0000	2	Center Cover Protective Trim
FS-012	0K76-01012-0200	1	Power/Coax Bracket

Frame System II



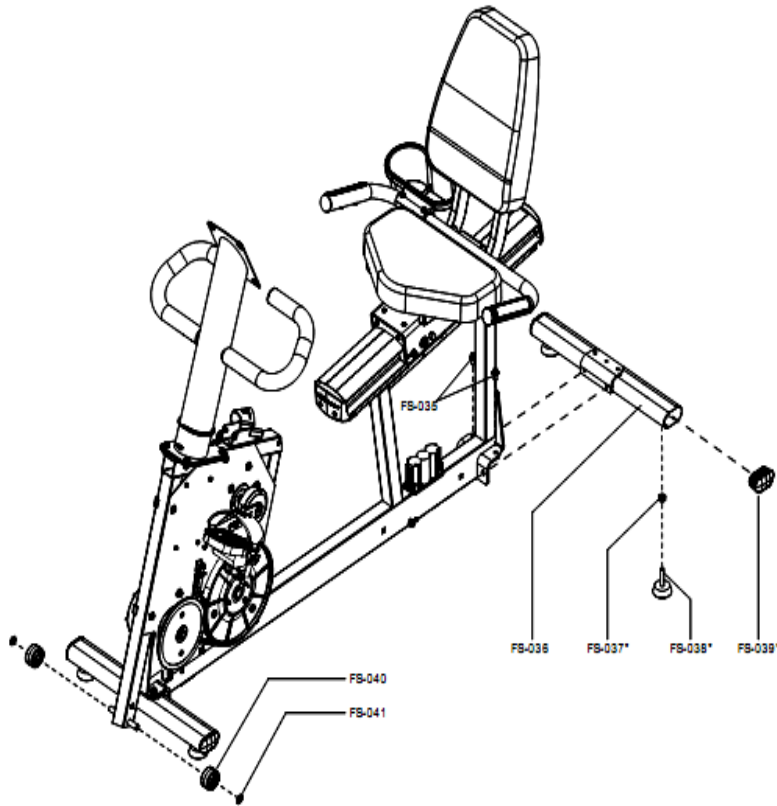
Ref #	Part Number	Qty	Description
FS-015	0017-00101-1796	11	Hardware: Mounting Screw 19 MM
FS-016	0K76-01092-0000	2	Crank Cap
FS-017	AK66-00047-0001	1	Right Pedal W/ Strap Assembly
FS-018	0K76-01054-0000	1	Right Crank Arm
FS-019	AK76-00005-0200	1	Shroud: Front Right
FS-020	0017-00042-1055	11	Hardware: Plastic Grommet
FS-021	0K76-01006-0200	1	Shroud: Front Left
FS-022	0K76-01053-0000	1	Left Crank Arm
FS-023	AK66-00048-0001	1	Left Pedal W/ Strap Assembly

Frame System III



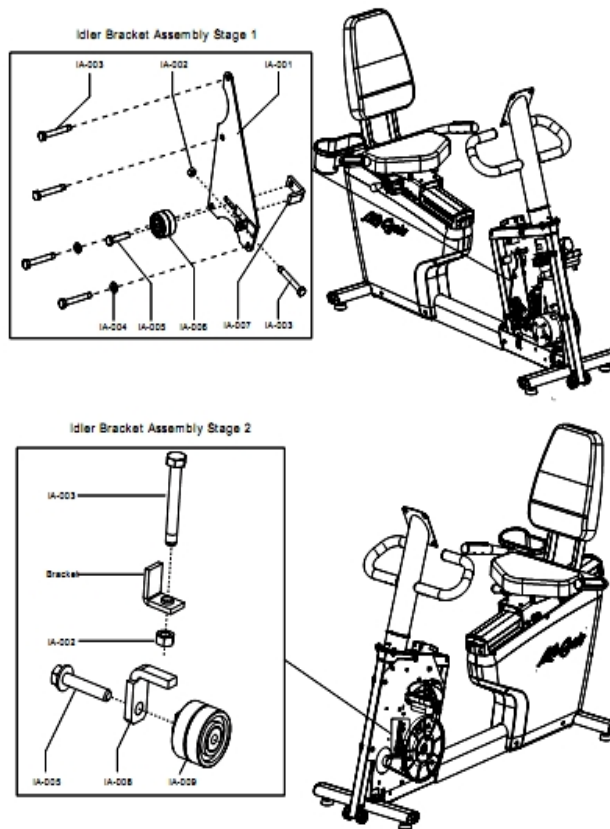
Ref #	Part Number	Qty	Description
FS-025	0017-00042-1055	4	Hardware: Plastic Grommet
FS-026	0017-00101-1796	12	Hardware: Mounting Screw 19 MM
FS-027	AK76-00007-0200	1	Shroud: Rear Right
FS-028	0K76-01010-0100	1	Center Cover Extrusion
FS-029	0K76-01011-0200	2	Seat Carriage End Cap
FS-030	0017-00101-2067	4	Hardware: End Cap Screw 10MM
FS-031	AK76-00006-0200	1	Shroud: Rear Left

Frame System IV



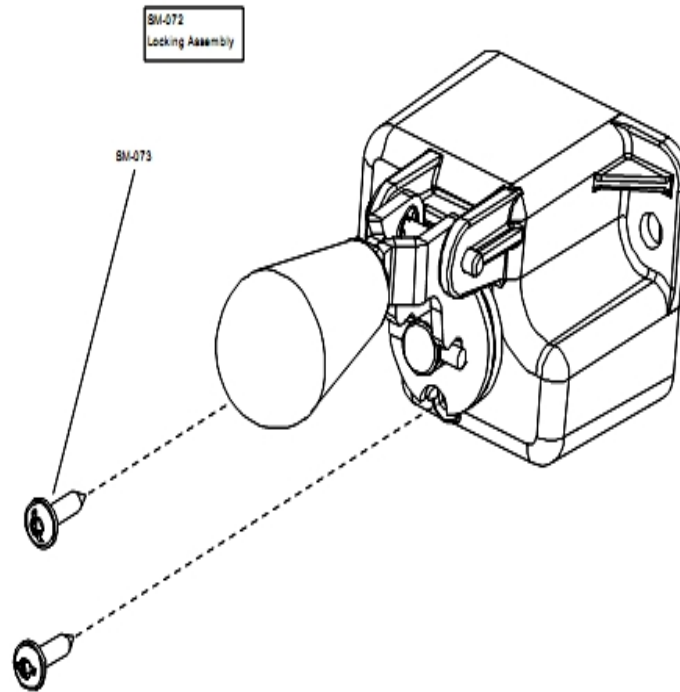
Ref #	Part Number	Qty	Description
FS-035	0017-00101-2091	8	Hardware: Screw 16MM
FS-036	AK76-00034-0000	2	Stabilizer Assembly
FS-037	0017-00103-0384	4	Hardware: Jam Nut 10 MM ID
FS-038	0K76-01086-0000	4	Leg Leveler
FS-039	0K76-01087-0000	4	End Cap
FS-040	0K76-01057-0700	2	Wheel
FS-041	0017-00100-0260	2	Hardware: Retaining Ring

Idler Assembly



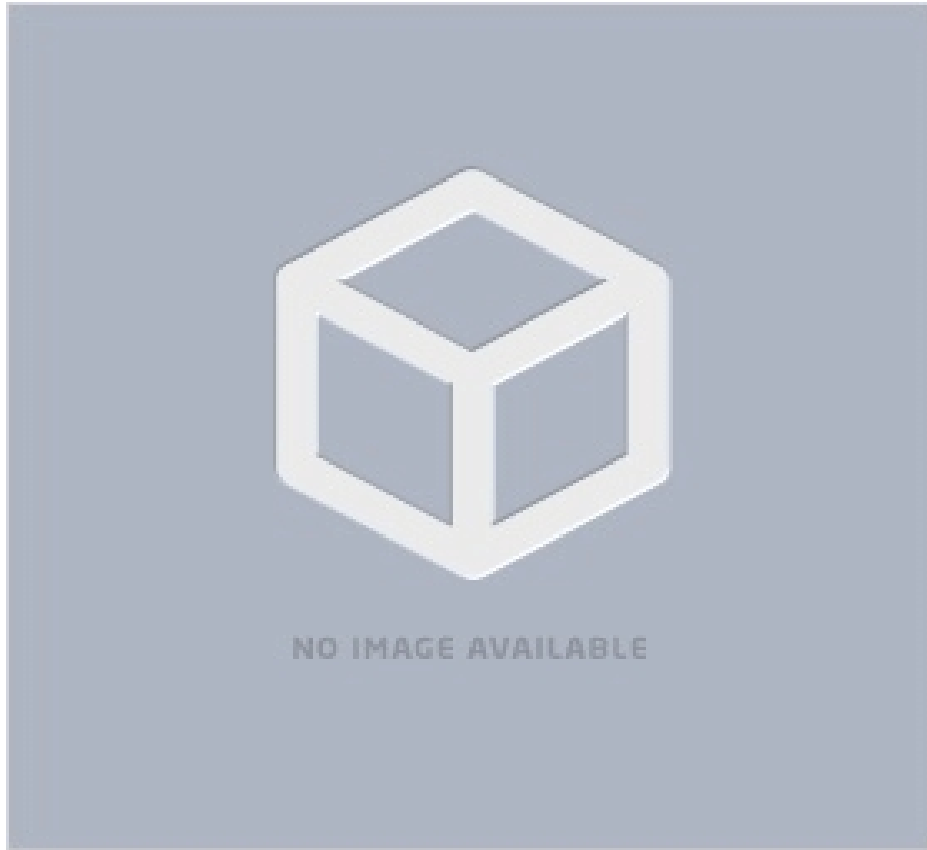
Ref #	Part Number	Qty	Description
IA-001	AK76-00029-0000	1	Bracket Assembly: Tensioner 1st Stage
IA-002	0017-00103-0328	2	Hardware: Nut 8 MM ID
IA-003	0017-00101-2090	6	Hardware: Hex Bolt 60MM
IA-004	0017-00104-0514	2	Hardware: Washer 16 MM OD
IA-005	0017-00101-2080	1	Hardware: Hex Bolt 40MM
IA-006	AK76-00030-0000	1	Idler Assembly: 1st Stage
IA-007	0K76-01081-0000	1	Hardware: Tensioner Bracket - Stage 1
IA-008	0K76-01082-0000	1	Hardware: Tensioner Bracket - Stage 2
IA-009	AK76-00027-0000	1	Idler Assembly: 2nd Stage

Locking Assembly



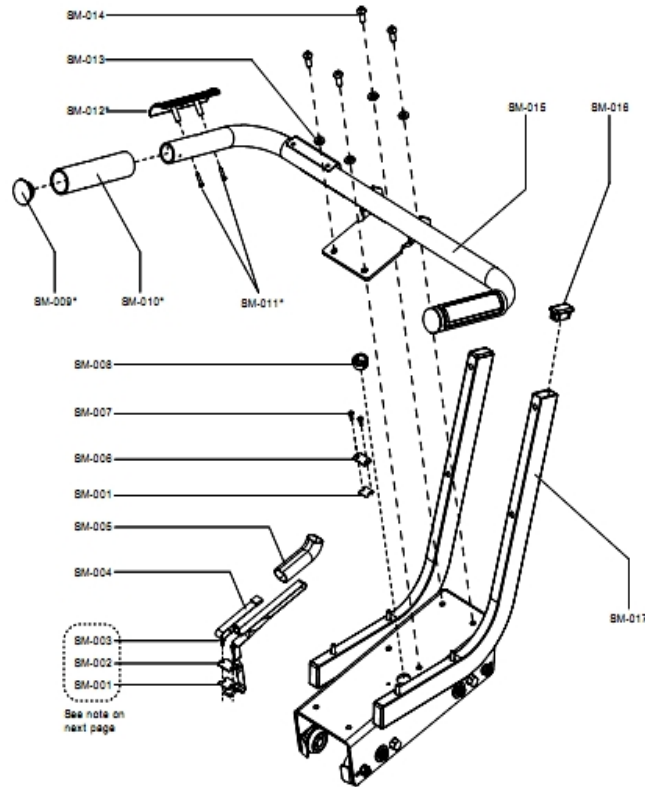
Ref #	Part Number	Qty	Description
SM-072	AK51-00053-0001	1	Lock Assembly
SM-073	0017-00101-1742	2	Hardware: TORX Screw 0.75"

Miscellaneous



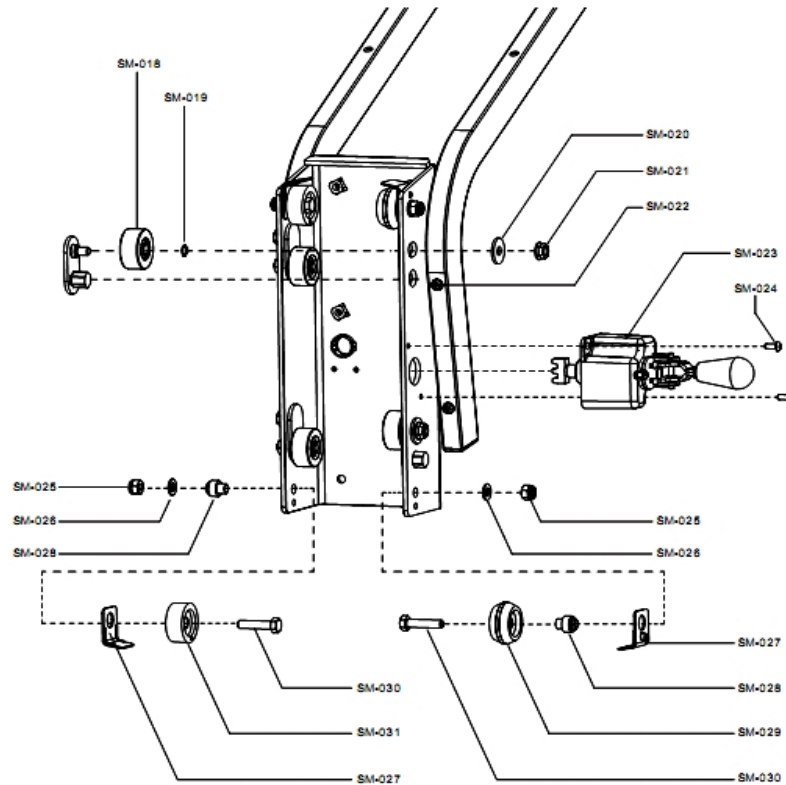
Ref #	Part Number	Qty	Description
	0017-00003-0889	1	Line Cord Cont U.K. 10A
	0017-00003-0704	1	Line Cord 10A 125 V
-	0017-00008-0204	1	Paint Spray Can - Arctic Silver
	0017-00003-0918	1	Line Cord - Australia
-	0017-00008-0206	1	.33oz Pen - Arctic Silver
	OLCK-DOMLX-01	1	ACTIVATE LIFECYCLE OPTIONAL LINE CORD KIT LOW
	0017-00003-0691	1	Line Cord Cont 10A 250 V
	0017-00003-1053	1	LINE-CORD: BRAZIL, IEC-C13
	OLCK-BRAHX-01	1	ACTIVATE LIFECYCLE OPTIONAL LINE CORD KIT BRAZIL H
	OLCK-INTHX-01	1	ACTIVATE LIFECYCLE OPTIONAL LINE CORD KIT HIGH
-	0017-00008-0205	1	5 oz Bottle - Arctic Silver

Seat Assembly



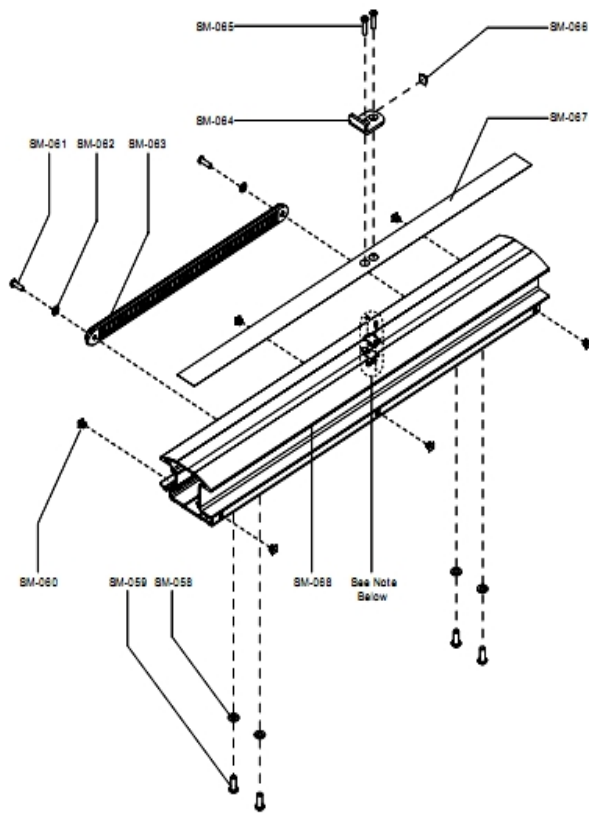
Ref #	Part Number	Qty	Description
SM-001	0K19-01222-0000	1	Double-sided Foam Tape
SM-002	0K76-01022-0000	1	Hardware: Cable Clamp
SM-003	0017-00101-2065	2	Hardware: Clamp Screw 6MM
SM-004	AK19-00082-0001	1	Flat Flex Cable
SM-005	0K76-01037-0000	1	Cable Sleeve
SM-006	0K76-01032-0000	1	Hardware: Cable Clamp
SM-007	0017-00101-2053	2	Hardware: Clamp Screw 12MM
SM-008	0017-00042-1227	1	Hole Bushing
SM-009	0K76-01091-0700	2	End Cap
SM-010	0K76-01029-0700	2	Handlebar Seat Grip
SM-011	0017-00101-2069	4	Hardware: Screw 20MM
SM-012	AK76-00008-0200	2	Heart Rate Electrode Assembly
SM-013	0017-00104-0469	4	Hardware: Flat Washer 16MM OD
SM-014	0017-00101-2089	4	Hardware: Screw 20MM
SM-015	AK76-00015-5200	1	Seat Handlebar Assembly
SM-016	0K76-01098-0700	4	End Cap
SM-017	AK76-00012-5200	1	Weldment: Seat Carriage

Seat Assembly Bottom



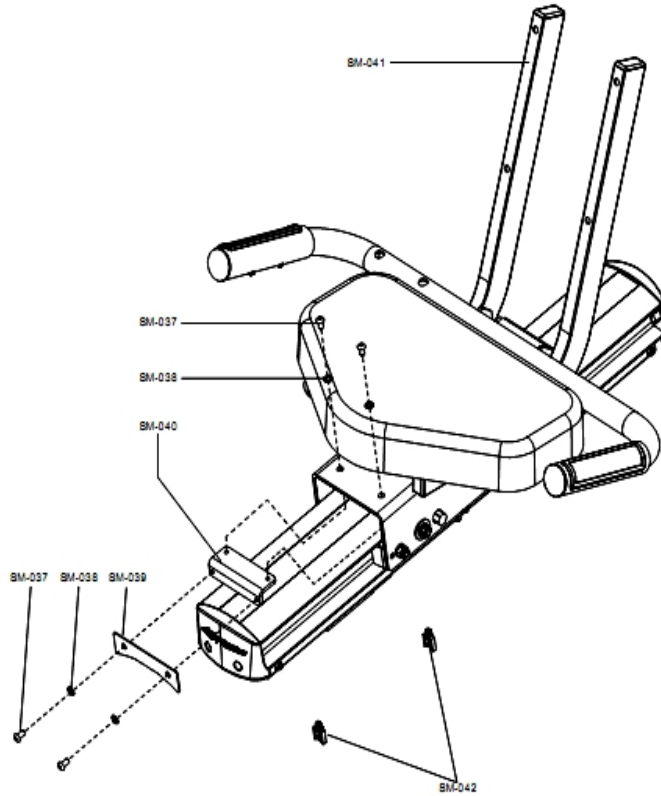
Ref #	Part Number	Qty	Description
SM-018	0K19-01130-0000	4	Preload Roller
SM-019	0017-00100-0156	4	Hardware: Retaining Ring
SM-020	0017-00104-0479	4	Hardware: Flat Washer 25.4MM OD
SM-021	0017-00103-0386	4	Hardware: Nut 8 MM ID
SM-022	0017-00101-2076	4	Hardware: Screw 55MM
SM-024	0017-00101-2071	2	Hardware: Screw 12MM
SM-025	0017-00103-0387	4	Hardware: Nut 8 MM ID
SM-026	0017-00104-0469	4	Hardware: Flat Washer 16MM OD
SM-027	0K76-01035-0200	4	Roller Shield
SM-028	0K76-01036-0000	4	Hardware: Spacer
SM-029	0K51-01034-0001	2	Seat Roller: Right
SM-030	0017-00101-2079	4	Hardware: Bolt 35MM
SM-031	0K51-01034-0002	2	Seat Roller: Left

Seat Extrusion



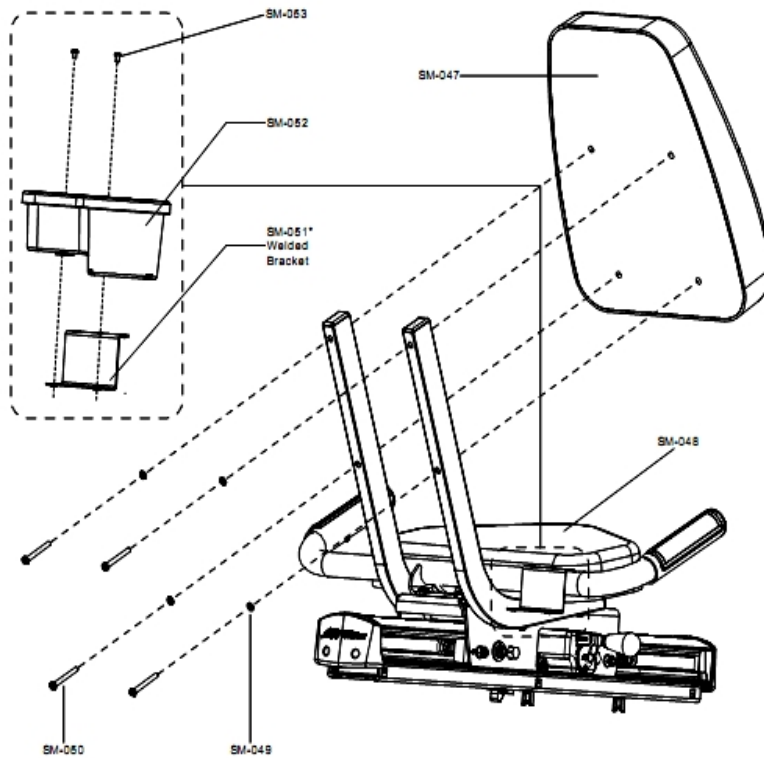
Ref #	Part Number	Qty	Description
SM-058	0017-00104-0469	4	Hardware: Flat Washer 16MM OD
SM-059	0017-00101-2089	4	Hardware: Screw 20MM
SM-060	0017-00042-1055	6	Hardware: Plastic Grommet
SM-061	0017-00101-2052	2	Hardware: Rack Screw 20MM
SM-062	0017-00104-0513	2	Hardware: Washer 13 MM OD
SM-063	0K76-01020-0200	1	Locking Rack
SM-064	0K51-01061-0001	1	Stop Bracket
SM-065	0017-00101-2075	2	Hardware: Screw 25MM
SM-068	AK76-00011-0000	1	Seat Extrusion Assembly

Seat Frame Assembly



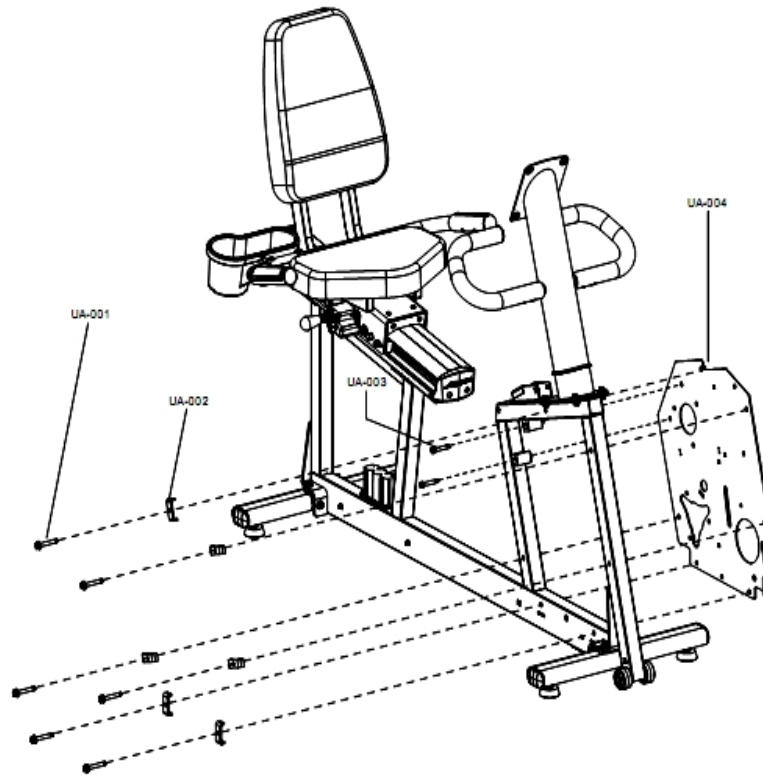
Ref #	Part Number	Qty	Description
SM-037	0017-00101-2074	4	Hardware: Torx Screw 12MM
SM-038	0017-00104-0512	4	Hardware: Washer 11 MM OD
SM-039	0K76-01031-0200	1	Front Stop Shield
SM-040	0K76-01030-0200	1	Front Stop Bracket
SM-041	AK76-00012-5200	1	Weldment: Seat Carriage
SM-042	0017-00009-1303	2	Hardware: Push Mount Wire Clip

Seat Pads and Tray



Ref #	Part Number	Qty	Description
SM-047	0K76-01039-0000	1	Pad: Back Seat
SM-048	0K76-01038-0000	1	Pad: Bottom Seat
SM-049	0017-00104-0512	4	Hardware: Washer 11 MM OD
SM-050	0017-00101-2076	4	Hardware: Screw 55MM
SM-052	0K76-01090-0200	1	Accessory Tray
SM-053	0017-00101-2086	4	Hardware: Screw 8MM

Uniplate Assembly



Ref #	Part Number	Qty	Description
UA-001	0017-00101-2083	6	Hardware: Hex Bolt 55MM
UA-002	0K76-01058-0000	6	Hardware: Clamp Bracket
UA-003	0017-00101-2082	2	Hardware: Hex Bolt 45MM
UA-004	AK76-00017-0000	1	Uni-Plate Assembly

