

# Optima Series - Shoulder Press

OSSP

## Parts Manual

1/5/2019 15:35:42 PM



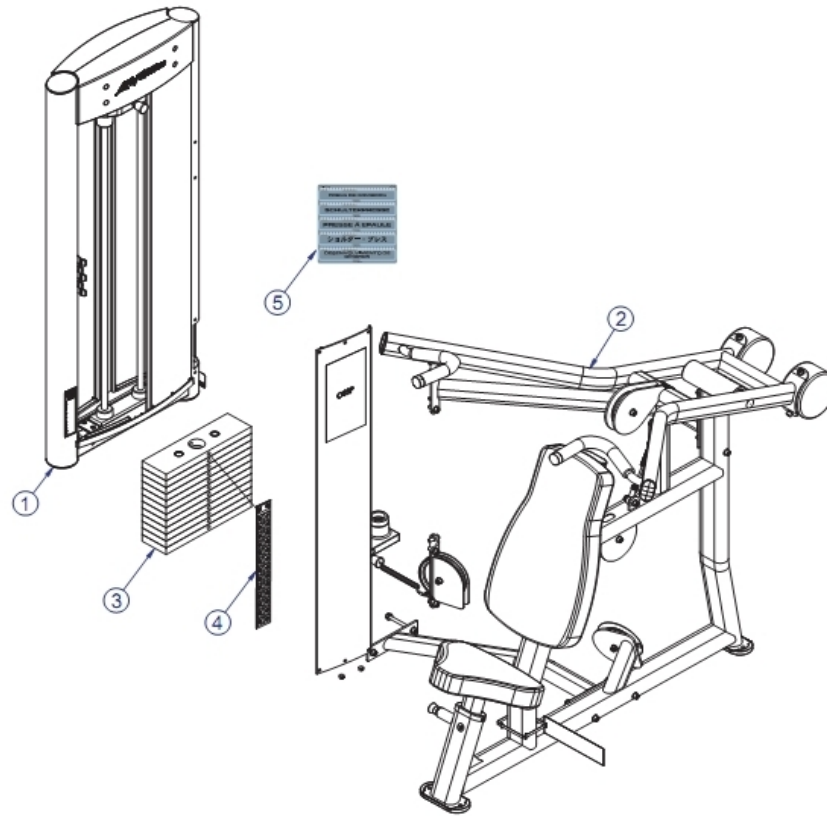
**Table of Contents**

---

[Components Assembly](#).....3  
[Frame Assembly](#).....4  
[Hardware Bag 1](#).....6  
[Hardware Bag 2](#).....7  
[Head Plate Assembly](#).....8  
[Incremental Weight Assembly](#).....9  
[Main Frame Assembly](#).....10  
[Optional Assembly](#).....11  
[Seat Frame Assembly](#).....12  
[Tower Assembly](#).....13  
[Tower Frame](#).....15  
[Work Arm Assembly](#).....16  
[15 Degree Pulley Assembly](#).....17

\*\* Upholstery & Frame Colors are listed at the end of the Parts Manual \*\*

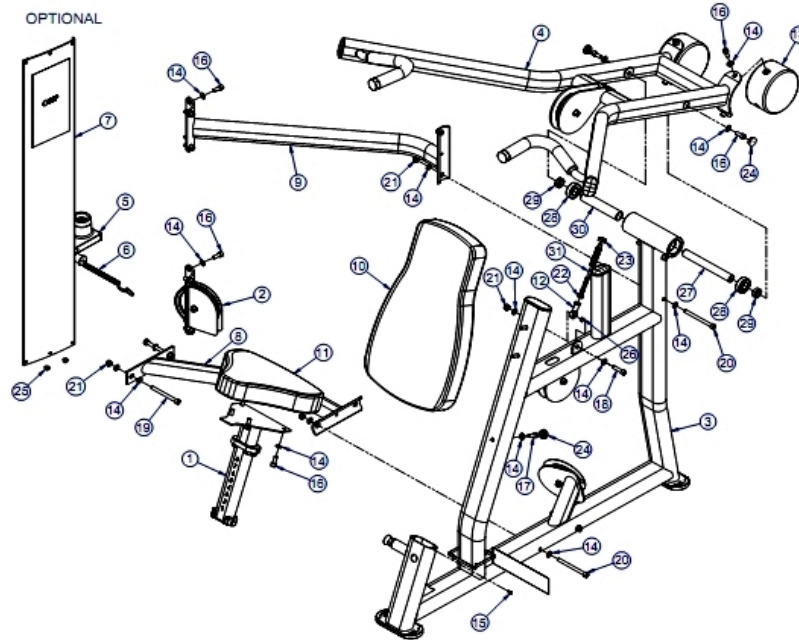
# Components Assembly



Ref #	Part Number	Qty	Description
1	8403902	1	ASSY, OSTWR, FINAL-PLT
2	8551702	1	PTD ASSY, OSSP FRAME BOX PLT
3	7353801	12	Weight Plate 15 LB
4	8769601	1	Label, Weight Stack, 13 Plate
5	8766313	1	Label, OSSP, Multi Lang Sheet

\*\* Upholstery and Frame Colors are list at the end of the Parts Manual \*\*

# Frame Assembly



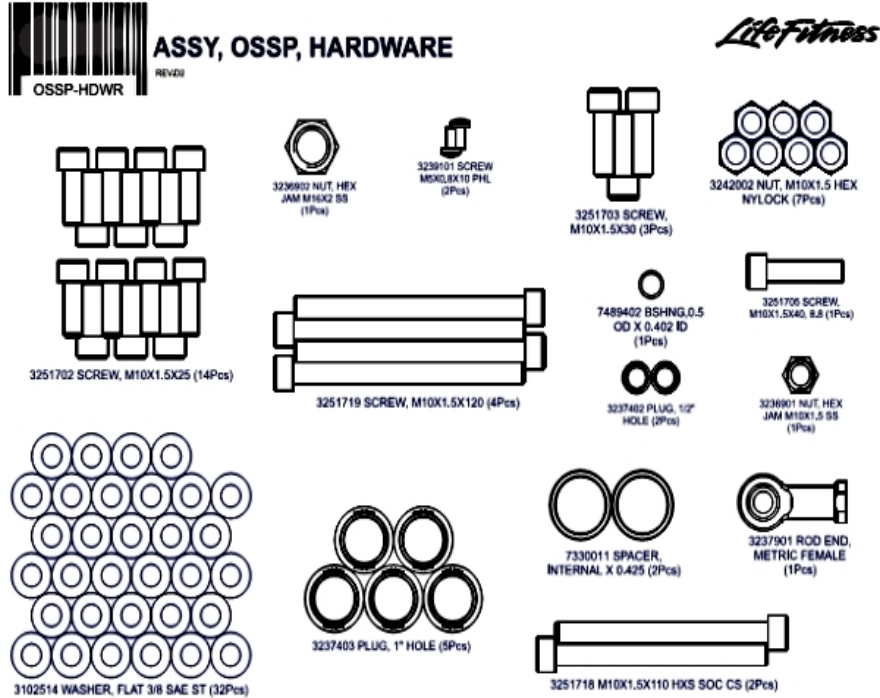
Ref #	Part Number	Qty	Description
1	8427501	1	Assembly, OSSP, Seat Adjustment
2	8473099	1	ASSY, OS, 15 DEG. PULLEY Custom
3	8480602	1	Painted Assembly, Main Frame Plate
4	8482102	1	Painted Assembly, Workarm , Plate
5	8505601	1	Assembly, OS Head Plate, 12 Plate
6	8506101	1	Assembly, Selector Pin
7	8548605	1	Assembly, OSSP Front Shroud
8	8629402	1	Weldment, OSSP, Bottom X-Mem Plate
9	8481702	1	Weldment, Upper Cross Support, Plate
10	8465099	1	Pad, Large Back, Flat Custom
11	8472299	1	Pad, Saddle, Flat Custom
12	3237901	1	Rod End Metric Female
13	7802001	2	Large Counter Weight-Coated
14	3102514	36	Hardware: Flat Washer 3/8" ID
15	3239101	2	Hardware: Phillips Pan Screw
16	LEA3251702	18	Screw; M10 X1.5 25MM
17	3251703	3	Hardware: Screw 30MM
18	3251705	1	Hardware: Screw 40MM
19	3251718	2	M10 X 1.5 X 110 HXS SOC CS ST ZN
20	3251719	4	Hardware: Screw 120MM
21	LEA3242002	7	Hardware: Hex Nut 10MM D
22	3236901	1	Hardware: Nut Hex Jam 10 MM

Ref #	Part Number	Qty	Description
23	3236902	1	Hardware: Nut 16 MM ID
24	3237403	5	Plug 1" Hole
25	3237402	2	Plug 1/2" Hole
26	7489402	1	Bushing
27	7316504	1	Shaft 25MM D 8.25" L
28	3235601	2	Ball Bearing
29	7330001	2	Spacer Internal X .403
30	7330005	1	Spacer Internal X 6.265
31	8491004	1	Cable, OSSP, Tower

\*\* Upholstery and Frame Colors are list at the end of the Parts Manual \*\*

# Hardware Bag 1

## OSSP HARDWARE BAG: OSSP-HDWR

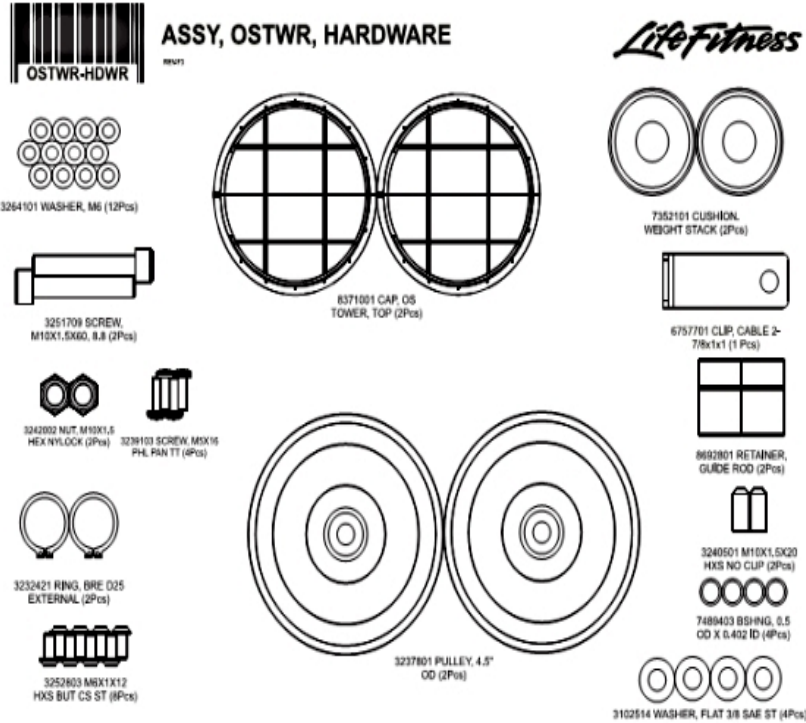


Ref #	Part Number	Qty	Description
-	OSSP-HDWR	1	Assembly, OSSP, Hardware Bag
-	OSSP-KIT	1	Hardware: Assembly, OSSP, Component Kit
-	8506101	1	Assembly, Selector Pin
-	8670501	1	Manual, OSSP, Assembly Instructions
-	3235601	2	Ball Bearing
-	8491004	1	Cable, OSSP, Tower
-	7802001	2	Large Counter Weight-Coated
-	7330005	1	Spacer Internal X 6.265
-	7316504	1	Shaft 25MM D 8.25" L
-	8465001	1	Pad, Large Back, Flat Black
-	8505601	1	Assembly, OS Head Plate, 12 Plate
-	8670001	1	NLA: MANUAL, OS, OWNERS
-	8427501	1	Assembly, OSSP, Seat Adjustment
-	8548605	1	Assembly, OSSP Front Shroud
-	8766313	1	Label, OSSP, Multi Lang Sheet
-	8472201	1	Pad, Saddle, Flat Black

\*\* Upholstery and Frame Colors are list at the end of the Parts Manual \*\*

## Hardware Bag 2

### TOWER HARDWARE BAG: OSTWR-HDWR

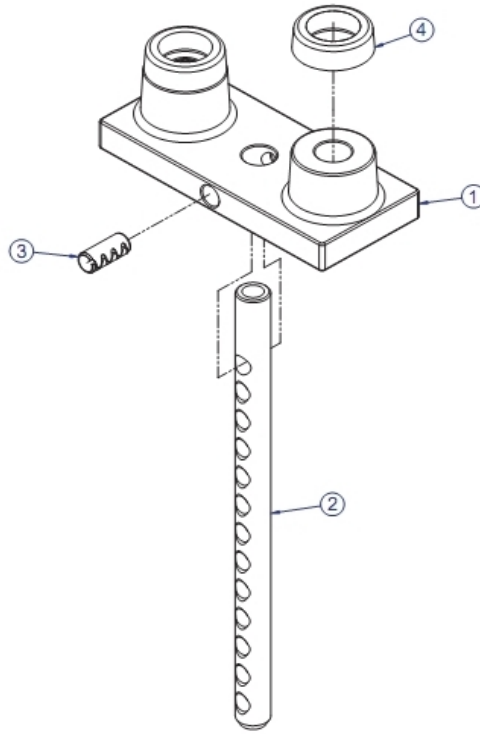


Ref #	Part Number	Qty	Description
-	8370801	3	Shroud, OS Tower
-	8370901	1	Shroud, OS Tower, Center, Standard
-	8370701	2	Cover, OS Tower, Top
-	7328621	2	Guide Rod, .75 OD Solid X 48.60
-	OSTWR-HDWR-G	1	ASSY, OSTWR, BLISTER PACK
-	8371301	2	Cover, OS Tower, Bottom
-	8769601	1	Label, Weight Stack, 13 Plate
-	OSTWR-KIT	1	Hardware: Assembly, OSTWR, Component Kit
-	8504301	1	Assembly, Increment Weight, 7 LB

\*\* Upholstery and Frame Colors are list at the end of the Parts Manual \*\*

## Head Plate Assembly

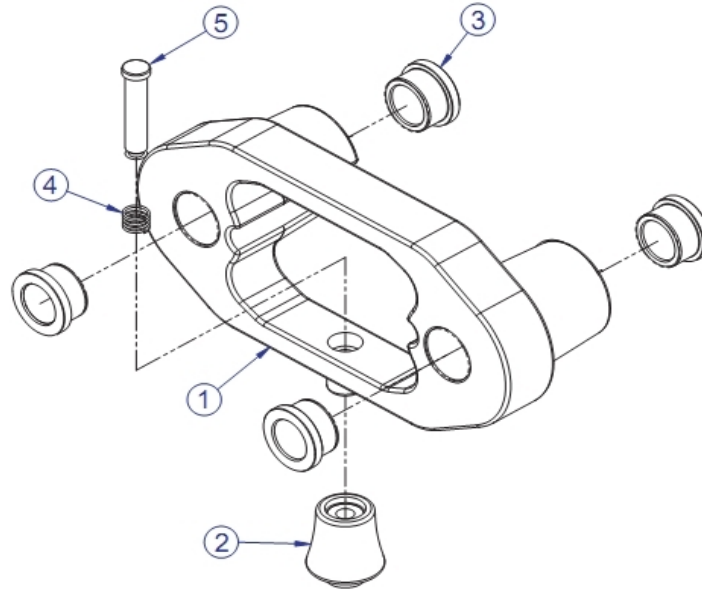
---



Ref #	Part Number	Qty	Description
1	8664101	1	Assembly, OS, Head Plate
2	8331701	1	Bayonet, OS, 12 Plate
3	3236001	1	SpringPin Bushing
4	7767601	2	Bumper PS Increment

\*\* Upholstery and Frame Colors are list at the end of the Parts Manual \*\*

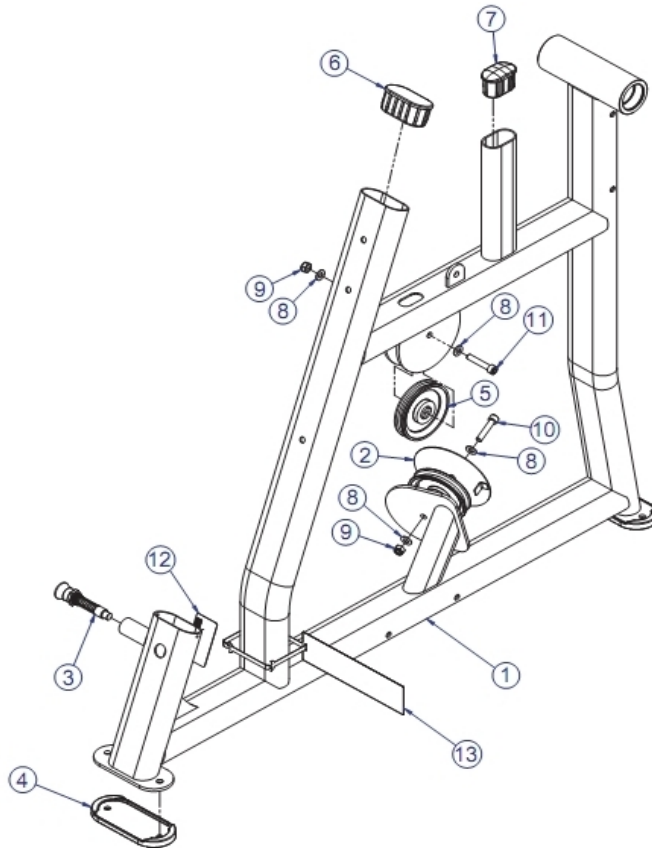
## Incremental Weight Assembly



Ref #	Part Number	Qty	Description
1	8504201	1	BODY, INCREMENT WEIGHT, 7 LB
2	8048001	1	Knob Tulip Style
3	8045001	4	BEARING Increment Weight
4	7447001	1	Compression Spring
5	7446901	1	Hardware: Pin Retaining

\*\* Upholstery and Frame Colors are list at the end of the Parts Manual \*\*

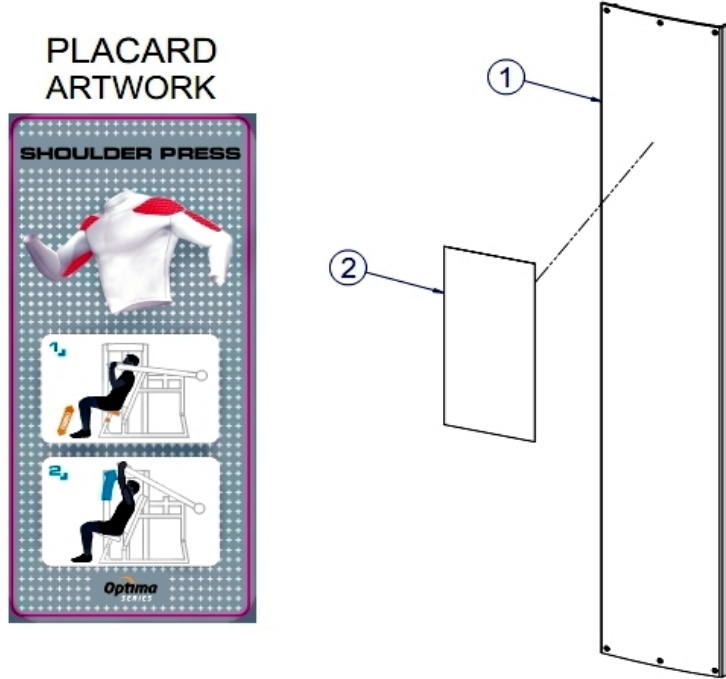
# Main Frame Assembly



Ref #	Part Number	Qty	Description
1	8480702	1	Weldment, Main Frame, Plate
2	8514602	1	Weldment, OS Pulley Cover Platinum
3	8544201	1	Assembly, OS, Spring Pin
4	8474501	2	Foot, Optima
5	3237801	2	Pulley 4.5" OD
6	8012901	1	End Cap FLOV
7	7800501	1	Small Cap
8	3102514	4	Hardware: Flat Washer 3/8" ID
9	LEA3242002	2	Hardware: Hex Nut 10MM D
10	3251707	1	Hardware: Screw 50MM
11	3251708	1	Hardware: Screw 55MM
12	7571301	1	Label Serial Number
13	8343101	1	Tag - Bolt To Floor

\*\* Upholstery and Frame Colors are list at the end of the Parts Manual \*\*

Optional Assembly

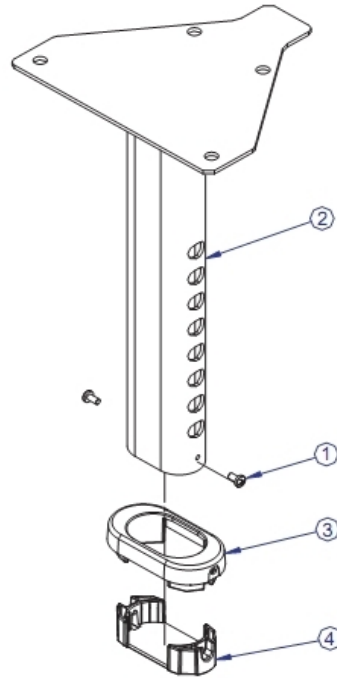


Ref #	Part Number	Qty	Description
1	8370801	1	Shroud, OS Tower
2	8766213	1	Label, OSSP, Placard

\*\* Upholstery and Frame Colors are list at the end of the Parts Manual \*\*

## Seat Frame Assembly

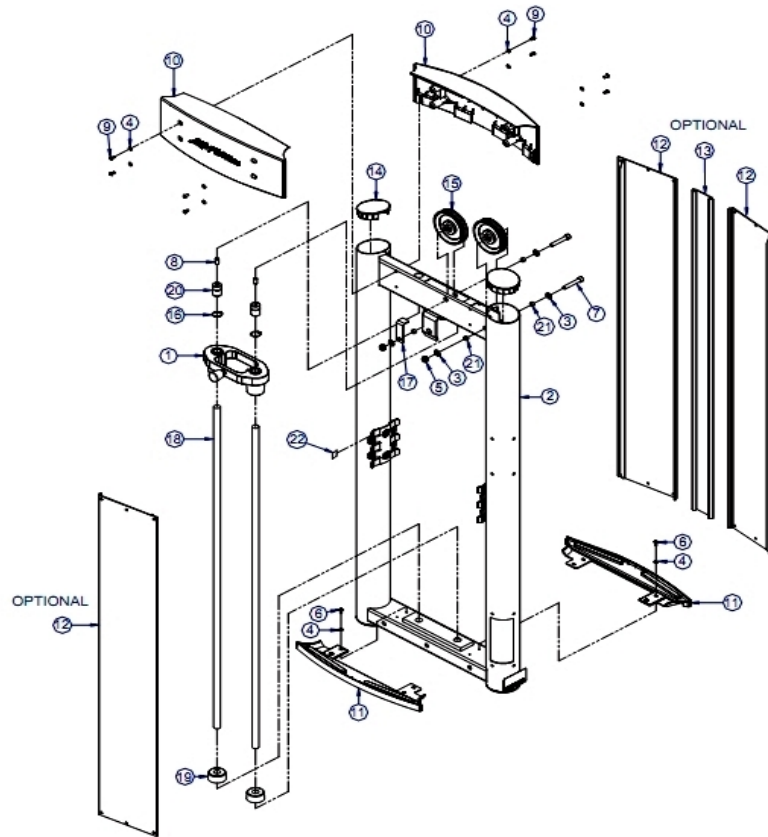
---



Ref #	Part Number	Qty	Description
1	3239101	2	Hardware: Phillips Pan Screw
2	8482601	1	Weldment, OSSP, Seat
3	8624101	1	Bushing, Seat Glide Ext.
4	8624201	1	Bushing, Seat Glide INT.

\*\* Upholstery and Frame Colors are list at the end of the Parts Manual \*\*

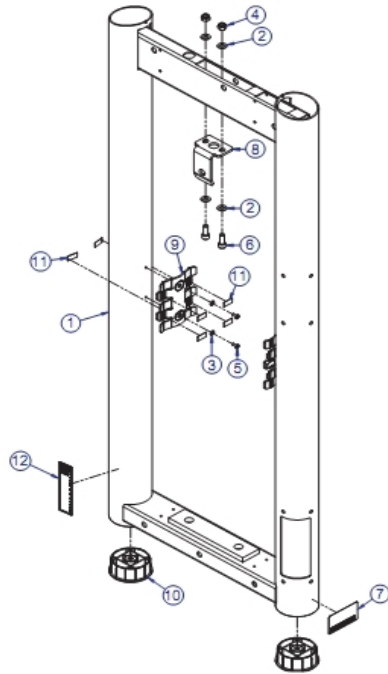
## Tower Assembly



Ref #	Part Number	Qty	Description
1	8504301	1	Assembly, Increment Weight, 7 LB
2	8674402	1	Assembly, OSTWR-Plate
3	3102514	4	Hardware: Flat Washer 3/8" ID
4	3264101	12	Hardware: Washer
5	LEA3242002	2	Hardware: Hex Nut 10MM D
6	3239103	4	Screw, M5X.8 X 16 PHI PAN TT ST BZ
7	3251709	2	Hardware: Screw 60MM
8	3240501	2	Set Screw
9	3252803	8	M6-1.0 X 12 HXS BUT CS ST ZN
10	8370701	2	Cover, OS Tower, Top
11	8371301	2	Cover, OS Tower, Bottom
12	8370801	3	Shroud, OS Tower
13	8370901	1	Shroud, OS Tower, Center, Standard
14	8371001	2	Cap, OS Tower, Top
15	3237801	2	Pulley 4.5" OD
16	3232421	2	Retaining Ring 0.940" D
17	6757701	1	Cable Clip
18	7328621	2	Guide Rod, .75 OD Solid X 48.60
19	7352101	2	Cushion Weight Stack
20	7402301	2	Retainer Guide Rod
21	7489403	4	Bushing, .500 OD X .402 ID X .272
22	8682601	12	Tape, Non-Skid, Clear

\*\* Upholstery and Frame Colors are list at the end of the Parts Manual \*\*

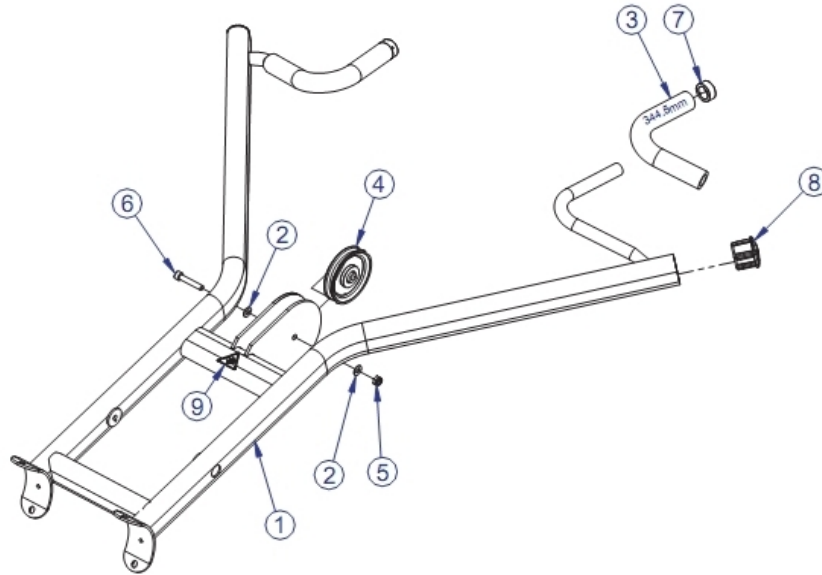
## Tower Frame



Ref #	Part Number	Qty	Description
1	8404002	1	Weldment, OS Tower Plate
2	3102514	4	Hardware: Flat Washer 3/8" ID
3	3264101	4	Hardware: Washer
4	LEA3242002	2	Hardware: Hex Nut 10MM D
5	LEA3239102	4	Hardware: Screw
6	LEA3251702	2	Screw; M10 X1.5 25MM
7	7571301	1	Label Serial Number
8	8332101	1	Bracket, OS Tower, Increment Weight Striker
9	8371201	2	Clip, OS Tower
10	8423801	2	Foot, OS Tower
11	8682601	12	Tape, Non-Skid, Clear
12	8630801	1	Label, ASTM, Select Vertical-Sheet

\*\* Upholstery and Frame Colors are list at the end of the Parts Manual \*\*

## Work Arm Assembly

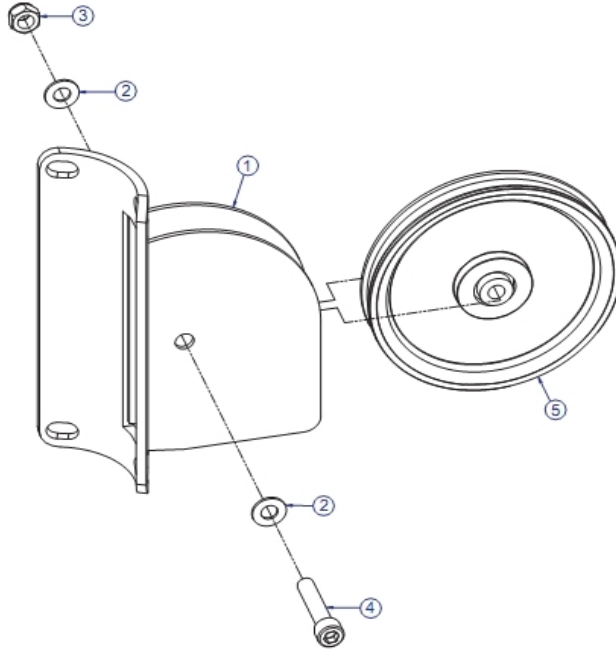


Ref #	Part Number	Qty	Description
1	8482202	1	Weldment, OSSP, Workarm, Plate
2	3102514	2	Hardware: Flat Washer 3/8" ID
3	3235802	2	Grip 1.5" OD
4	3237801	1	Pulley 4.5" OD
5	LEA3242002	1	Hardware: Hex Nut 10MM D
6	3251708	1	Hardware: Screw 55MM
7	7662902	2	Grip Cap
8	7800501	2	Small Cap
9	8039501	1	Label Warning Triangle 10-0099-067 BNR

\*\* Upholstery and Frame Colors are list at the end of the Parts Manual \*\*

# 15 Degree Pulley Assembly

---



Ref #	Part Number	Qty	Description
1	8472902	1	Weldment, OS, 15 Deg Pulley Plate
2	3102514	2	Hardware: Flat Washer 3/8" ID
3	LEA3242002	1	Hardware: Hex Nut 10MM D
4	3251707	1	Hardware: Screw 50MM
5	3239601	1	Pulley - 6"

\*\* Upholstery and Frame Colors are list at the end of the Parts Manual \*\*

# Frame and Upholstery Color Chart

## Frame Colors



Note: Include frame color in order notes when ordering frame assemblies or weldments.

## Upholstery Colors



Replace '99' with the above color suffix when ordering pads (i.e. 7412399 = 7412301 BLACK)

