

Activate - Cross-Trainer CRC Base

OSX-ALLCX-01

Parts Manual

1/5/2019 15:37:10 PM

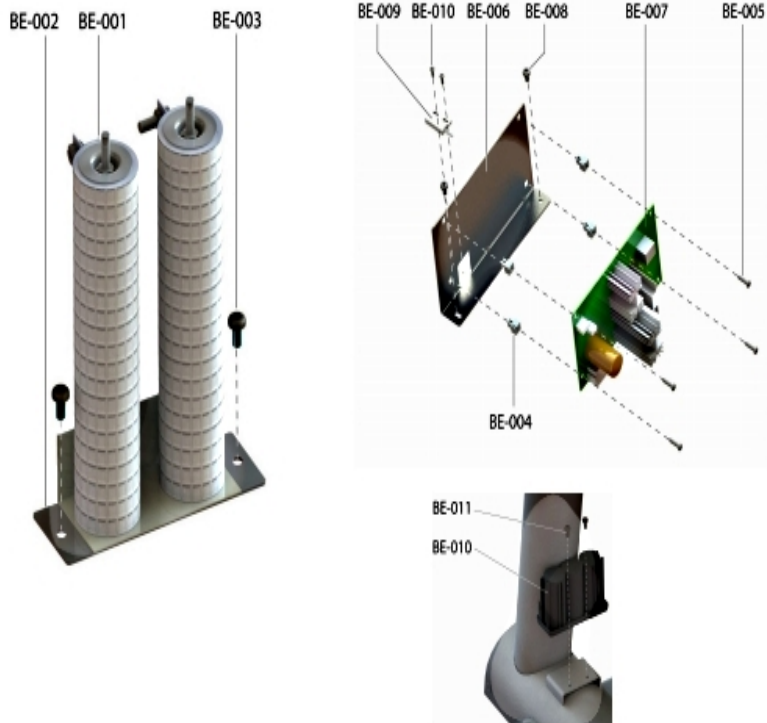


LifeFitness
WHAT WE LIVE FOR

Table of Contents

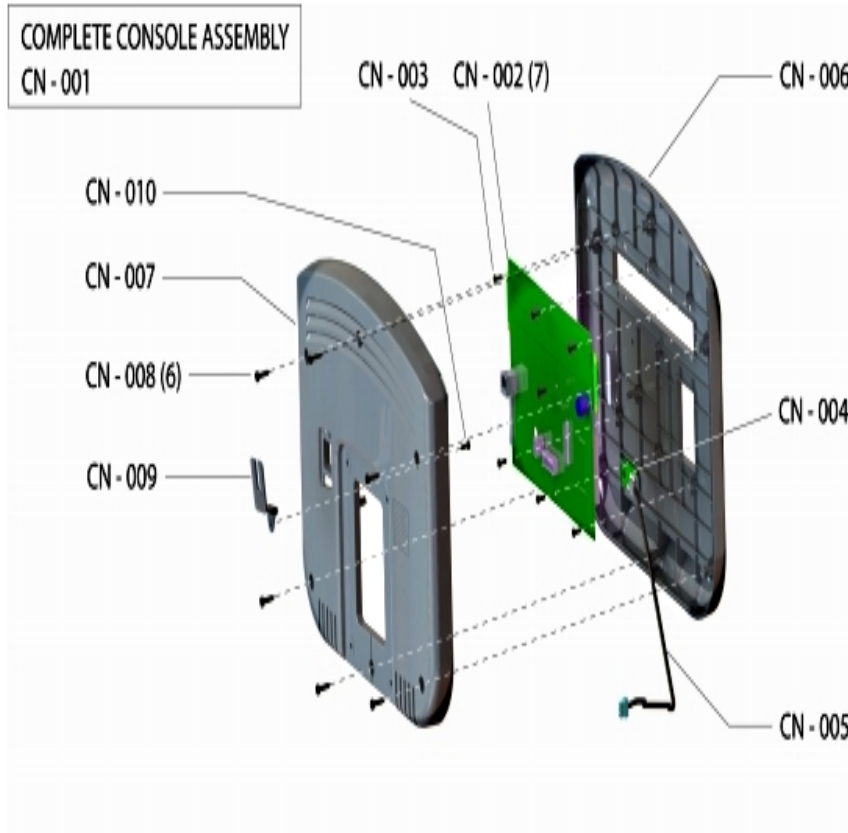
Base Electronics	3
Console Assembly	4
Drive System - Crankarm Assembly and Covers	6
Drive System - Crankshaft and Intermediate Pulley Assembly	7
Drive System - Drive Belt and Alternator	8
Heart Rate System	9
Linkage System - Dead Shaft Covers	10
Linkage System - Moving Arms	11
Linkage System - Pedal Lever Assembly	12
Linkage System - Rocker Arm Assembly	13
Lower Frame System - Clevis and Front Frame Covers	14
Lower Frame System - Rear Covers	15
Miscellaneous	16
Upper Frame System	17
Wiring	18

Base Electronics



Ref #	Part Number	Qty	Description
BE-001	AK62-00260-0000	1	Resistor Assembly
BE-002	0K78-01090-0000	1	Resistor Bracket
BE-003, BE-008, BE-01			
2	0017-00101-2063	5	Hardware: Torx Pan Screw 10MM
BE-004	0017-00042-0821	4	Hardware: Plastic Grommet
BE-005	0017-00101-1838	4	Hardware: Mounting Screw 19 MM
BE-006	0K78-01067-0000	1	PCB Bracket
BE-007	B084-92218-0000	1	PCB Circuit Board
BE-009	118E-00001-0140	1	Reed Switch SPDT
BE-010	0017-00101-1794	2	Hardware: Screw 10MM
BE-011	0017-00003-0685	1	6V Battery

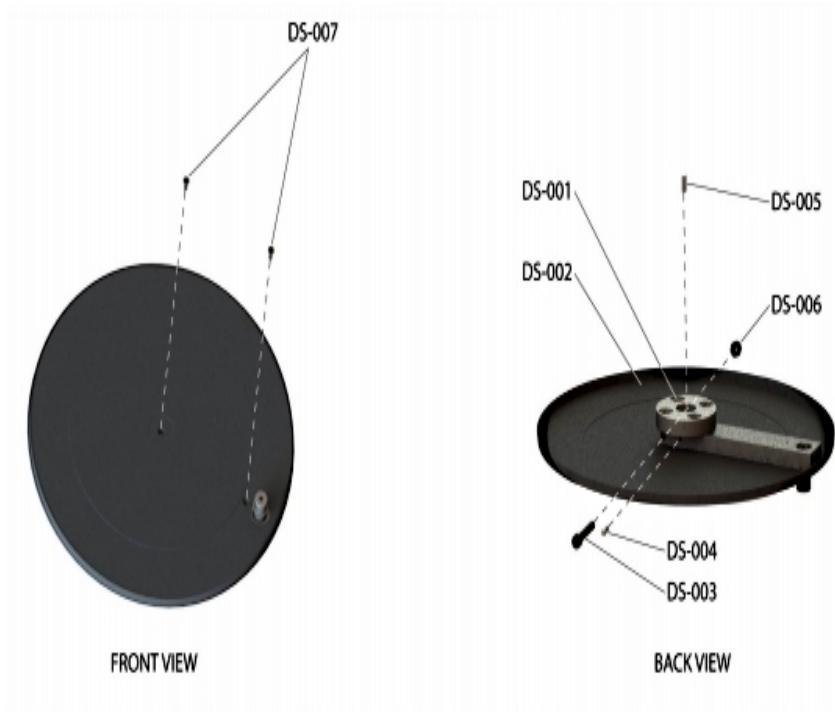
Console Assembly



Ref #	Part Number	Qty	Description
CN-001	OLCDX-JAPXX-01	1	Console: Crosstrainer: Japanese/Metric
CN-001	OLCDX-CHNXX-01	1	Console: Crosstrainer: Chinese/Metric
CN-001	OLCDX-KORXX-01	1	Console: Crosstrainer: Korean/Metric
CN-001	OLEDX-TURXX-01	1	Console: Crosstrainer: Turkish/Metric
CN-001	OLEDX-PORXX-01	1	Console: Crosstrainer: Portugese/Metric
CN-001	OLEDX-ENGXX-01	1	Console: Crosstrainer: English/Metric
CN-001	OLEDX-SPNXX-01	1	Console: Crosstrainer: Spanish/Metric
CN-001	OLCDX-RUSXX-01	1	Console: Crosstrainer: Russian/Metric
CN-002	A084-92379-0100	1	B084-92379-0000 ACTIVATE BIKE AND XTRAINER
CN-003,CN-010	0017-00101-1650	8	Hardware: Phillips Pan Screw 0.375"
CN-004	AK69-00157-0001	1	Polar Cable
CN-005	118E-00001-0244	1	Heart Rate Receiver
CN-006	GK90-00004-0000	1	Bezel Switch and Overlay: English/English
CN-006	GK90-00004-0008	1	Bezel Switch and Overlay: Chinese/Metric
CN-006	GK90-00004-0002	1	Bezel Switch and Overlay: Spanish/Metric
CN-006	GK90-00004-0011	1	Bezel Switch and Overlay: Japanese/Metric
CN-006	GK90-00004-0010	1	Bezel Switch and Overlay: Russian/Metric
CN-006	GK90-00004-0006	1	Bezel Switch and Overlay: Turkish/Metric
CN-006	GK90-00004-0009	1	Bezel Switch and Overlay: Korean/Metric
CN-007	0K90-01002-0200	1	Console Case
CN-008	0017-00101-1242	6	Hardware: Phillips Pan Screw 0.75"

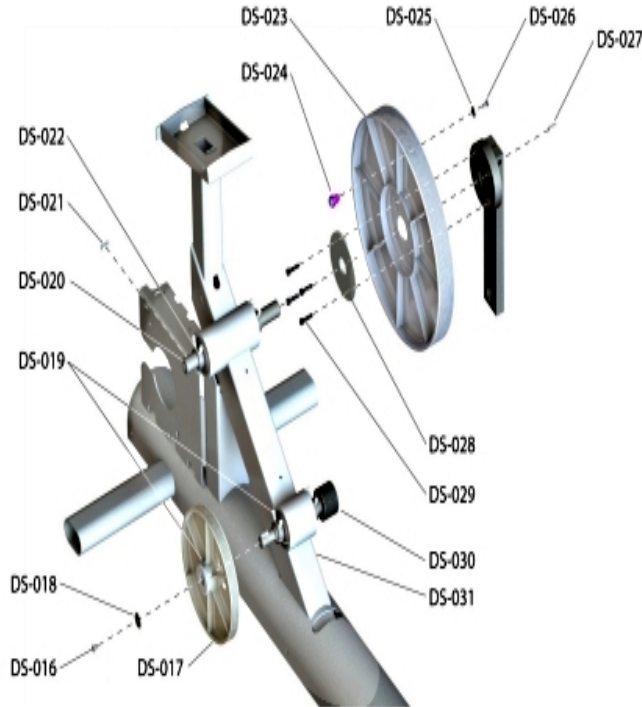
Ref #	Part Number	Qty	Description
CN-009	0K70-01008-0000	1	CSAFE Door
A084-9238 0-0100.png	AK90-00003-0100	1	PROGRAMMED CONSOLE BOARDS WITH LCD FOR NON-TREADMILLS
-	0017-00104-0456	1	Hardware: Washer 0.31" OD
-	0K62-01175-0001	1	Decal

Drive System - Crankarm Assembly and Covers



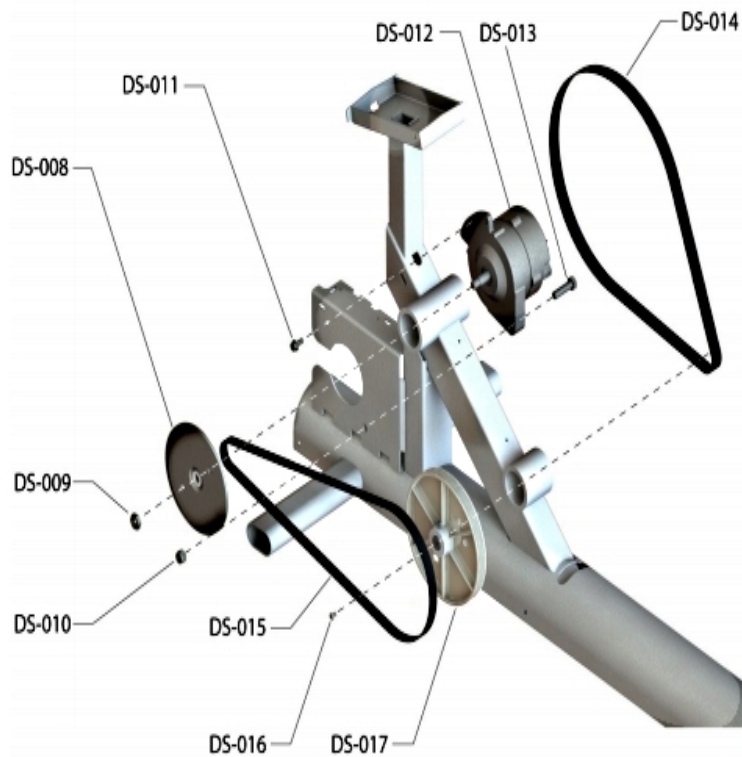
Ref #	Part Number	Qty	Description
DS-001	AK78-00038-0000	1	Crankarm: Right
DS-001	AK78-00037-0000	1	Crankarm: Left
DS-002	0K78-01002-5200	1	Crank Cover
DS-003	0017-00101-1860	1	Hardware: Crankarm Bolt 65MM
DS-004	0017-00101-2015	1	Hardware: Pulley Set Screw 15 MM
DS-005	M0K53-01122-0000	1	Machine Key
DS-006	0017-00103-0334	1	Hardware: Nut 10 MM
DS-007	0017-00101-1837	4	Hardware: Screw 18MM

Drive System - Crankshaft and Intermediate Pulley Assembly



Ref #	Part Number	Qty	Description
DS-016	0017-00101-1836	1	Hardware: Screw 10 MM
DS-017	0K35-01186-0007	1	Poly-V Pulley
DS-018	0017-00104-0465	1	Hardware: Flat Washer 23MM OD
DS-019	0017-00101-2015	8	Hardware: Pulley Set Screw 15 MM
DS-020	0K78-01014-0000	1	Crankshaft
DS-021,DS-027	M0K53-01122-0000	2	Machine Key
DS-022	0017-00006-0300	4	Hardware: Bearing
DS-023	0K61-02409-0000	1	Poly-V Crank Pulley
DS-024	AK62-00186-0000	1	Magnet-Standoff Assembly
DS-025	0017-00104-0144	1	Hardware: Washer 0.625" OD
DS-026	0017-00101-1835	1	Hardware: Screw 10MM
DS-028	0K61-02302-0001	1	Crankshaft Plate
DS-029	0017-00101-1834	4	Hardware: Screw 24MM
DS-030	0K78-01015-0000	1	Intermediate Pulley Shaft
DS-031	0K53-01183-0000	1	Hex key

Drive System - Drive Belt and Alternator



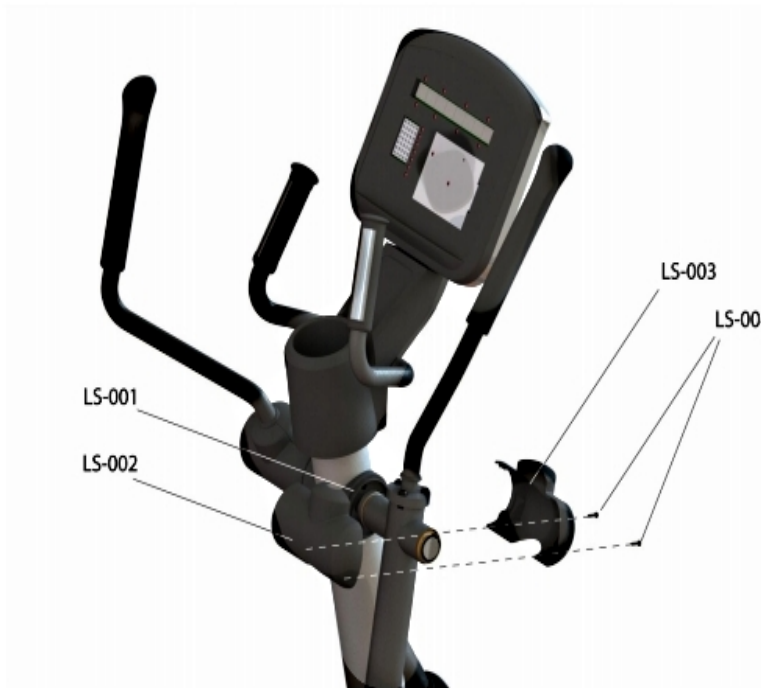
Ref #	Part Number	Qty	Description
DS-008	0K61-01027-0000	1	Flywheel: 6.75" D
DS-009	0017-00103-0117	1	Hardware: Locking Nut 1/2" ID
DS-010	0017-00103-0332	1	Hardware: Mounting Nut
DS-011	0017-00101-0986	1	Hardware: Bolt 0.75"
DS-012	0017-00009-0841	1	Alternator
DS-013	0017-00101-1867	1	Hardware: Mounting Bolt 45 MM
DS-014	0K62-01135-0000	1	Drive Belt
DS-015	0K78-01018-0000	1	Alternator Belt
DS-016	0017-00101-1836	1	Hardware: Screw 10 MM
DS-017	0K35-01186-0007	1	Poly-V Pulley

Heart Rate System



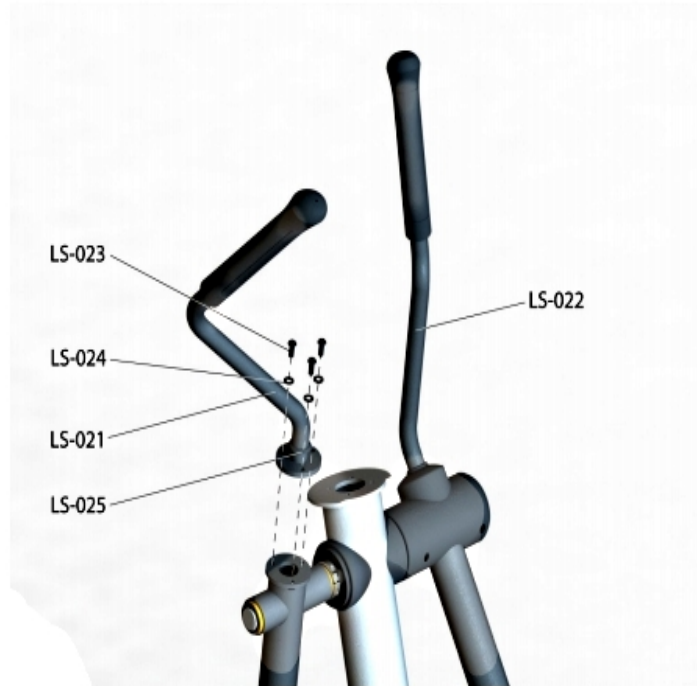
Ref #	Part Number	Qty	Description
HR-001	GK69-00002-0002	2	Handlebar Heart Rate Kit
HR-002	AK78-00051-5200	2	Weldment: Console Support
HR-003	0017-00101-1948	4	Hardware: Mounting Bolts 16MM
HR-004	0017-00104-0469	4	Hardware: Flat Washer 16MM OD
HR-005	AK47-00029-0000	2	Lifepulse Cable

Linkage System - Dead Shaft Covers



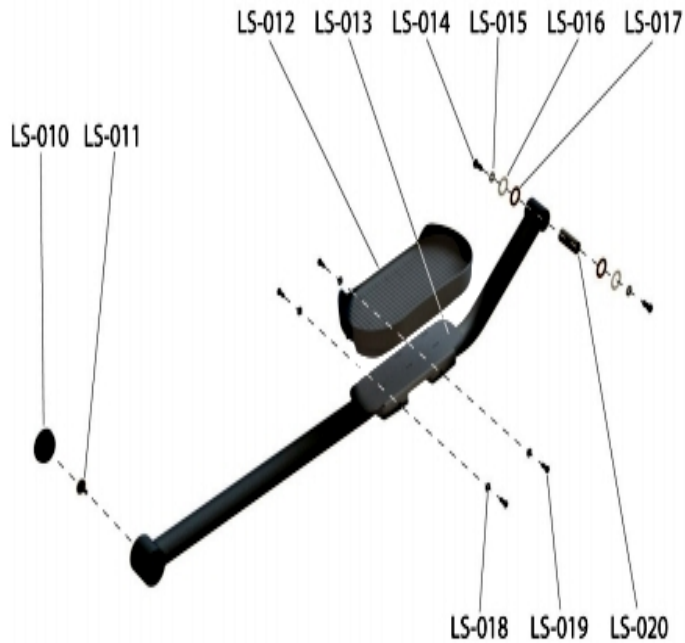
Ref #	Part Number	Qty	Description
LS-001	0K78-01006-0200	2	Inner Deadshaft Cover
LS-002	AK78-00041-0200	1	Deadshaft Cover - With Onserts
LS-003	0K78-01060-0200	1	Deadshaft Cover: Screw Side
LS-004	0017-00101-1796	8	Hardware: Mounting Screw 19 MM

Linkage System - Moving Arms



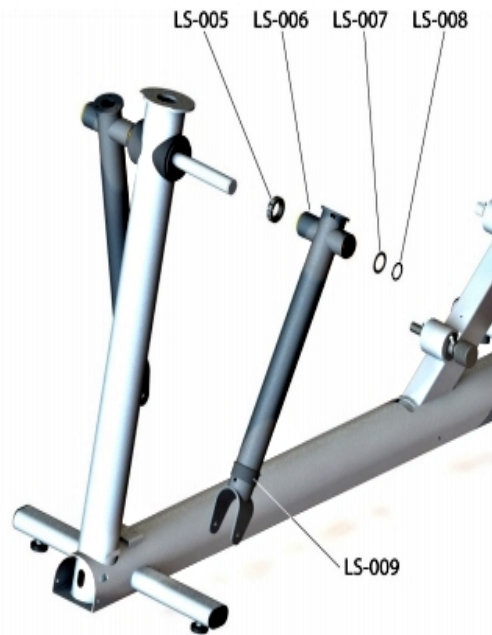
Ref #	Part Number	Qty	Description
LS-021	GK78-00002-0007	1	Right Moving Arm: Grip Included
LS-022	GK78-00002-0006	1	Left Moving Arm: Grip Included
LS-023	0017-00101-2059	6	Hardware: Screw 20MM
LS-024	0017-00104-0469	6	Hardware: Flat Washer 16MM OD
LS-025	M0K62-01199-0203	2	Deadshaft Cover Gasket

Linkage System - Pedal Lever Assembly



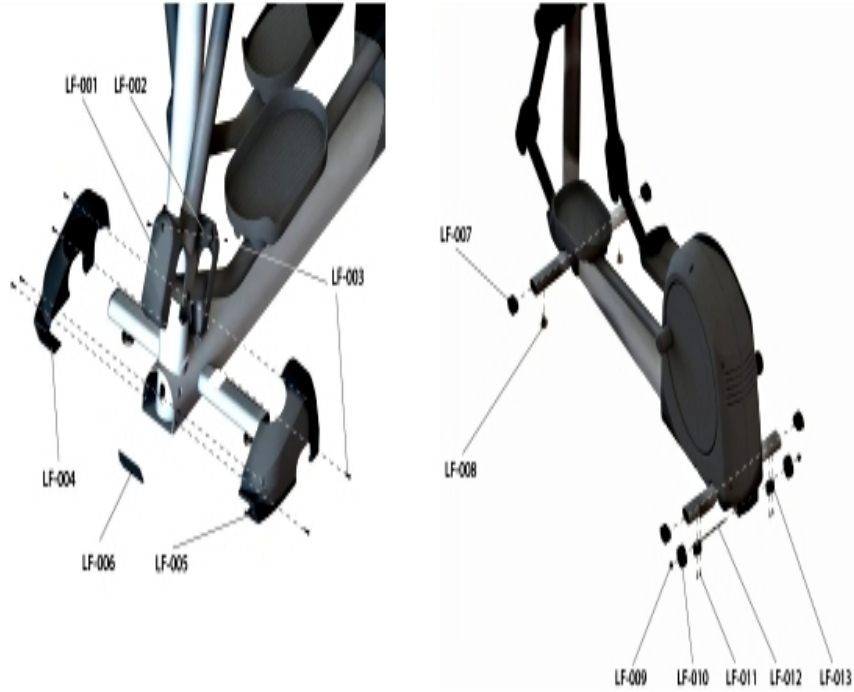
Ref #	Part Number	Qty	Description
LS-010	0K61-01284-0304	2	Stabilizer Cap
LS-011	0K69-01231-0000	2	Hardware: Rear Mounting Bolt
LS-012	0K78-01038-0200	2	Pedal
LS-013	GK78-00002-0005	1	Kit: Right Pedal Lever
LS-013	GK78-00002-0004	1	Kit: Left Pedal Lever
LS-014	0017-00101-2060	2	Hardware: Clevis Bolt 25MM
LS-015	0017-00104-0470	2	Hardware: Washer 20 MM OD
LS-016	0K69-01190-0000	2	Hardware: Steel Thrust Washer
LS-017	0K47-01104-0000	2	Hardware: Thrust Washer
LS-018	0017-00104-0469	8	Hardware: Flat Washer 16MM OD
LS-019	0017-00101-2059	8	Hardware: Screw 20MM
LS-020	0K78-01016-0000	2	Clevis Shaft

Linkage System - Rocker Arm Assembly



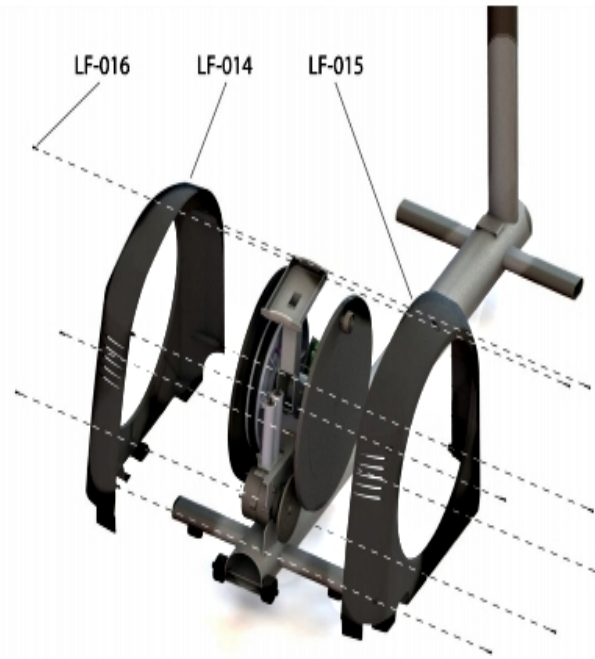
Ref #	Part Number	Qty	Description
LS-005	0K61-01259-0000	2	Shaft Split Collar
LS-006	GK78-00002-0003	2	Rocker Arm
LS-007	0017-00104-0418	2	Hardware: Flat Washer 1.75" OD
LS-008	0017-00100-0178	2	Hardware: Retaining Ring 1.25"
LS-009	0K78-01005-0200	2	Clevis Gasket
LS-026	0K86-01038-0000	1	DECAL; FRAME; LF-LOGO

Lower Frame System - Clevis and Front Frame Covers



Ref #	Part Number	Qty	Description
LF-001	0K78-01003-0200	1	Front Clevis Cover
LF-002	0K78-01004-0200	1	Rear Clevis Cover
LF-003	0017-00042-1147	4	Hardware: Nylon Grommet
LF-003	0017-00101-1796	1	Hardware: Mounting Screw 19 MM
LF-004	0K78-01028-0200	1	Right Front Cover
LF-005	AK78-00011-0200	1	Left Front Cover
LF-006	0K66-01063-0201	1	Power/Coax Bracket
LF-007	0K78-01007-0200	4	Stabilizer Cap
LF-008	0K62-01178-0000	2	Leg Leveler
LF-008	0017-00103-0330	1	Hardware: Nut 10 MM ID
LF-009	0017-00042-1066	2	Push-on cap
LF-010	0017-00042-0674	2	Wheel
LF-011	0017-00101-1797	4	Hardware: Mounting Screw 16 MM
LF-012	0K78-01058-0000	1	Wheel Shaft
LF-013	0K78-01069-0200	2	Rubber Feet

Lower Frame System - Rear Covers

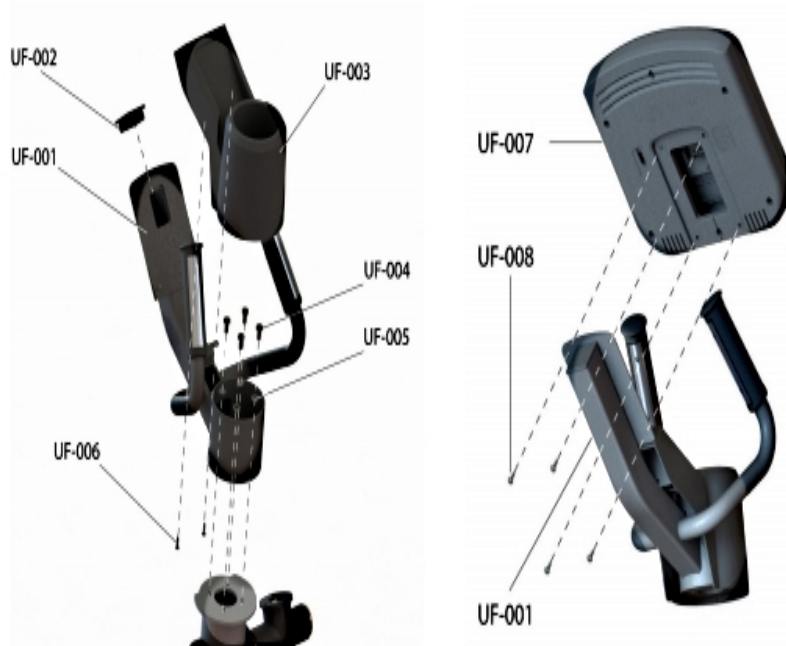


Ref #	Part Number	Qty	Description
LF-014	AK78-00012-0200	1	Left Rear Cover
LF-015	OK78-01012-0200	1	Right Rear Cover
LF-016	0017-00101-1796	10	Hardware: Mounting Screw 19 MM

Miscellaneous

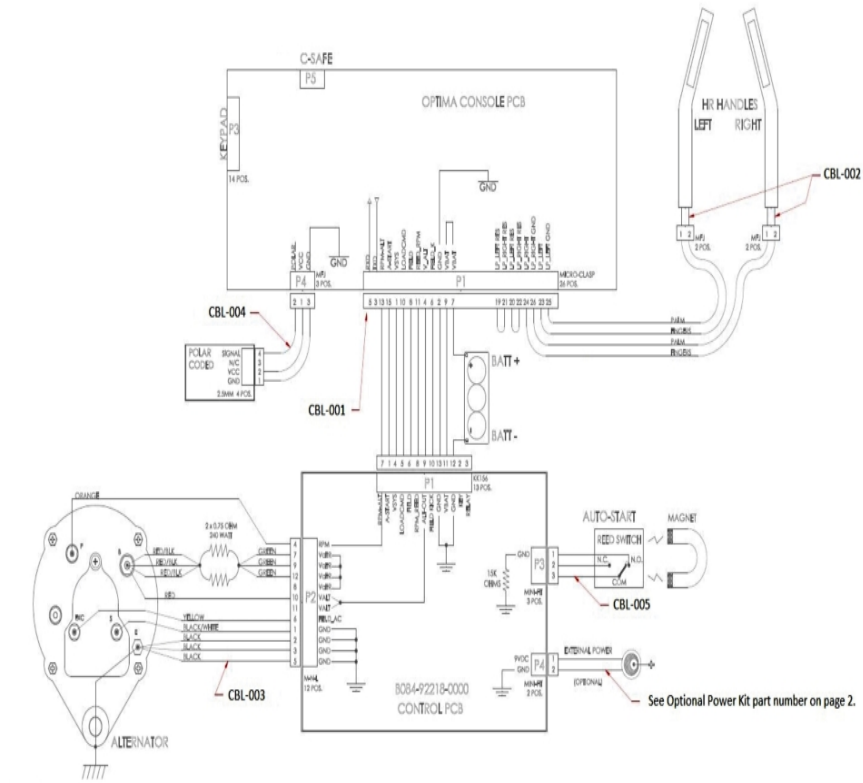
Ref #	Part Number	Qty	Description
-	0017-00008-0206	1	.33oz Pen - Arctic Silver
-	OSXLCK-INTHX-01	1	Optional Line Cord Kit - International
-	0017-00008-0211	1	Paint: Shadow-Gray Touch Up: .6 OZ Bottle
-	0017-00008-0210	1	Paint: Shadow-Gray Touch Up: .6 OZ Bottle
-	0017-00008-0204	1	Paint Spray Can - Arctic Silver
-	OSXLCK-DOMLX-01	1	Optional Line Cord Kit - US
-	0017-00008-0205	1	5 oz Bottle - Arctic Silver
-	0K78-01096-0000	1	Hardware Bag

Upper Frame System



Ref #	Part Number	Qty	Description
UF-001	AK78-00051-0200	1	Console Bracket
UF-002	0K78-01082-0200	1	Console Bracket Endcap
UF-003	0K78-01080-0200	1	Console Bracket Cover
UF-004	0017-00101-1948	4	Hardware: Mounting Bolts 16MM
UF-005	0017-00104-0469	4	Hardware: Flat Washer 16MM OD
UF-006	0017-00101-1796	2	Hardware: Mounting Screw 19 MM
UF-008	0017-00101-1972	4	Hardware: Screw 14MM

Wiring



Ref #	Part Number	Qty	Description
CBL-001	AK78-00050-0000	1	Main Cable
CBL-002	AK47-00029-0000	2	Lifepulse Cable
CBL-003	AK62-00092-0000	1	Power Control Cable
CBL-004	AK69-00157-0001	1	Polar Cable
CBL-005	118E-00001-0140	1	Reed Switch SPDT

