

PCSC Upright Bike Base - Heart Rate

PCSC-ALLXX-06

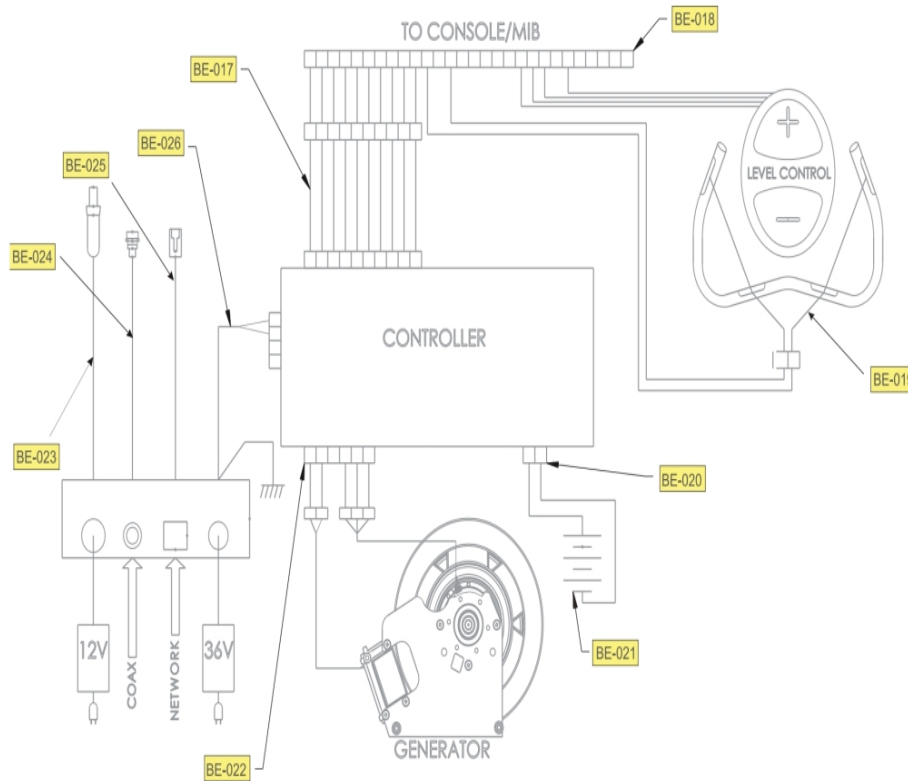
Parts Manual

1/5/2019 15:38:34 PM

Table of Contents

Base Frame Electronics - Cables.....	3
Base Frame Electronics - Generator and Related Components.....	4
Base Frame Electronics - Idler Assembly.....	5
Drive System - Pedals and Cranks.....	6
Heart Rate System - Handlebar and Components.....	7
Lower Frame - Front Stabilizer and Components.....	8
Lower Frame - Leg Leveler and Rear Stabilizer.....	9
Miscellaneous.....	10
Upper Frame - Monocolumn and Console Mounting Bracket.....	11
Upper Frame - Seat and Seat Post Components.....	12
Upper Frame - Shrouds - Console.....	14
Upper Frame - Shrouds - Front and Seat.....	15
Upper Frame - Shrouds - (Left, Right, Step) and GBC Shield.....	16

Base Frame Electronics - Cables

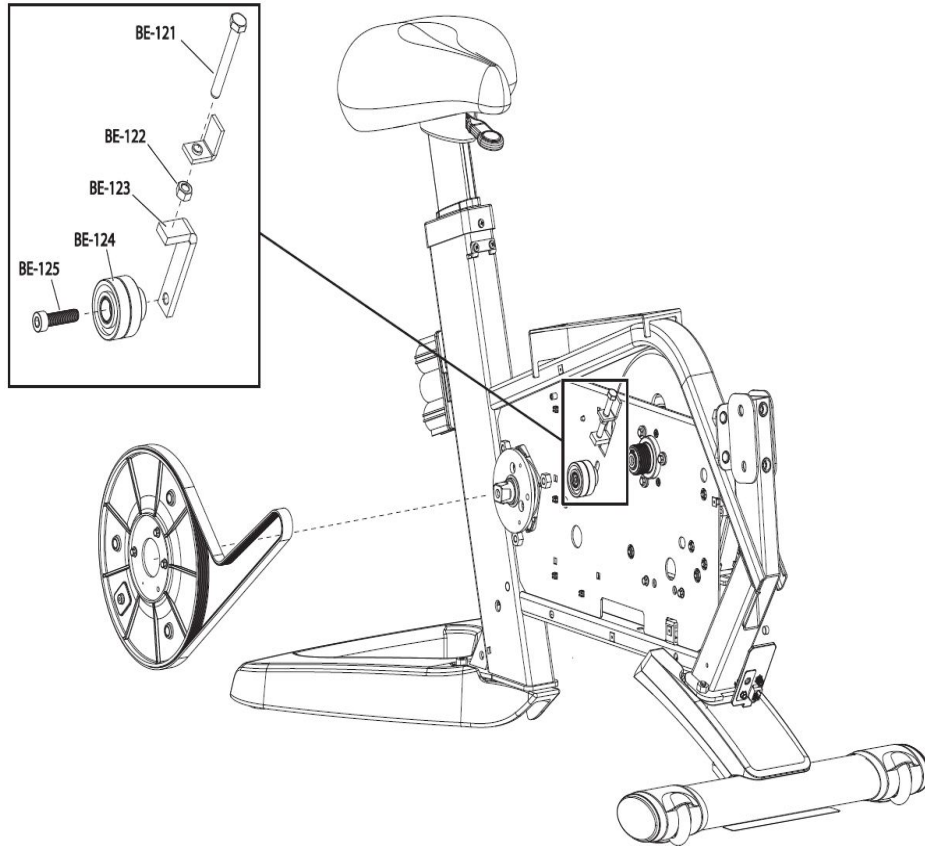


Ref #	Part Number	Qty	Description
BE-017	AK92-00064-0000	1	PCB TO EXTENSION CABLE ASSEMBLY
BE-018	AK92-00045-0001	1	CABLE ASSY, EXTENSION TO CONSOLE(UPRIGHT)
BE-019	AK63-00028-0001	1	LifePulse Cable
BE-020	AK26-00348-0001	1	Jumper Ground Cable
BE-021	AK66-00107-0000	1	Generator/Brake Cable
BE-022	0017-00003-1091	1	POWER SUPPLY: 24VDC, 5A
BE-023	AK92-00065-0000	1	EXTERNAL POWER WITH GROUND CABLE ASSEMBLY
BE-024	AK65-00062-0000	1	Cable: Coax RG6 Base
BE-025	AK70-00092-0000	1	CABLE ASSY: CAT5E, V2, 84 INCH

Base Frame Electronics - Generator and Related Components

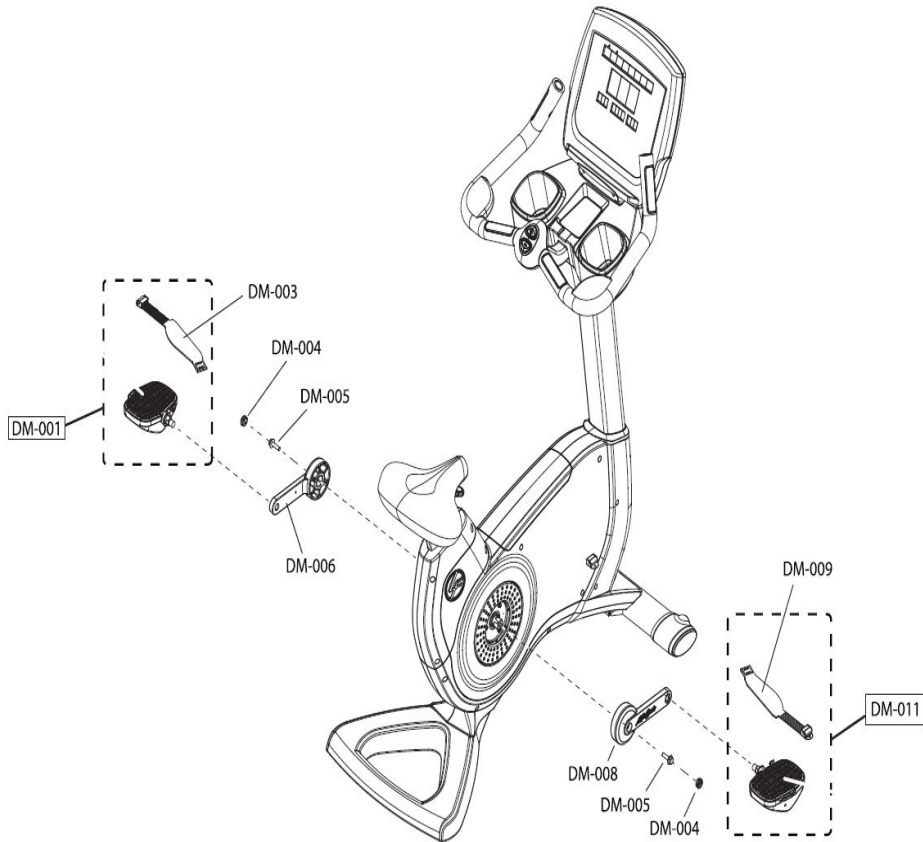
Ref #	Part Number	Qty	Description
BE-101,BE-104	0017-00101-2102	5	SCR: M5 X 0.8 6G6G X 10 HEX FLG L CS ST
BE-102	0017-00101-1894	3	Hardware: Idler Assembly Mounting Bolt 16MM
BE-103	0017-00104-0330	6	Hardware: Flat Washers 0.562" OD
BE-105	0K76-01068-0000	1	Pulley
BE-106	0017-00009-1323	1	BELT: POLYV; 460J8, STANDARD
BE-107	0017-00101-1838	4	Hardware: Mounting Screw 19 MM
BE-108	A084-92389-0001	1	PROGRAMMED PCB: B084-92389-0001
BE-109	0017-00042-1229	1	SPACER: ROUND PLASTIC
BE-110	AK66-00151-0000	1	HUB ASSY: CRANKSHAFT, UNIPLATE
BE-111	0017-00104-0469	3	Hardware: Flat Washer 16MM OD
BE-112	0017-00101-2002	3	Hardware: Tension Bolt 60MM
BE-113	AK66-00172-0000	1	ASSY: GENERATOR/PULLEY; UNIPLATE, AP1/AP2, MFG.
BE-114	AK66-00165-0000	1	NC: PULLEY ASSY: W/CLUTCH, UNIPLATE, ISO/DIN
BE-115	0K66-01237-0000	1	Hardware: Shaft Washer Large
BE-116	0017-00104-0498	1	Hardware: Shaft Washer Small .734" OD
BE-117	0017-00100-0257	1	Retaining Ring
BE-118	0017-00101-1874	1	Hardware: Handle Mounting Screw 16 MM
BE-126	0K67-01149-0000	1	PLATE: REINFORCEMENT; UNIPLATE, UPRIGHT
BE-127	0017-00101-1193	6	Hardware: Screw 0.375"

Base Frame Electronics - Idler Assembly



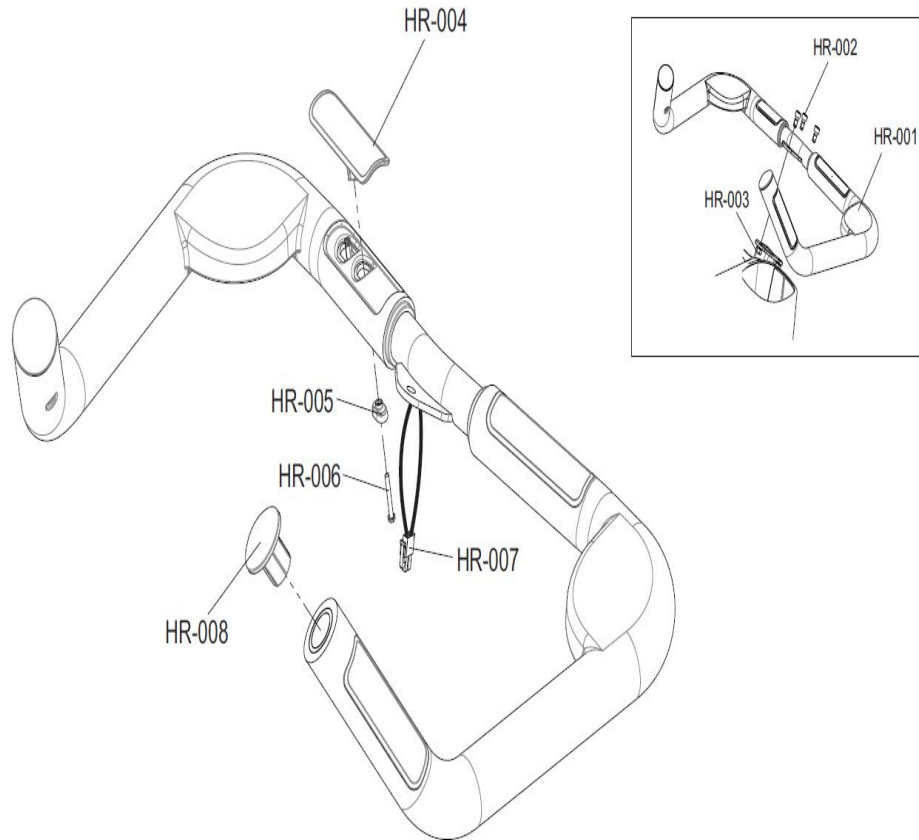
Ref #	Part Number	Qty	Description
BE-121	0017-00101-2002	1	Hardware: Tension Bolt 60MM
BE-122	0017-00103-0328	1	Hardware: Nut 8 MM ID
BE-123	0K66-01254-0000	1	BRKT: TENSIONER
BE-124	AK66-00173-0000	1	ASSY: IDLER & POST; AP1/AP2, MFG.
BE-125	0017-00101-1982	1	Hardware: Mounting Bolt 35MM

Drive System - Pedals and Cranks



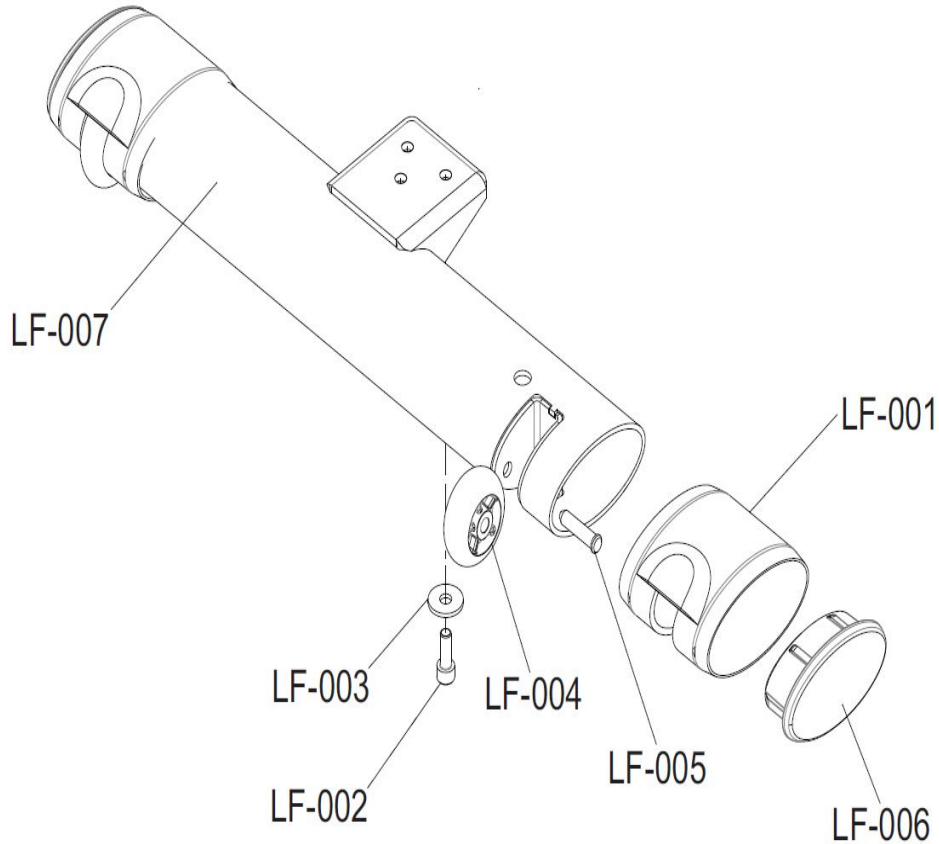
Ref #	Part Number	Qty	Description
DM-001	AK66-00048-0001	1	Left Pedal W/ Strap Assembly
DM-003	AK66-00135-0000	1	Strap Assembly: Pedal; Left
DM-004	0K66-01121-0000	2	Crank Cap
DM-005	0017-00101-2077	2	Hardware: Screw 30MM
DM-006	0K76-01053-0000	1	Left Crank Arm
DM-008	0K76-01054-0000	1	Right Crank Arm
DM-009	AK66-00136-0000	1	Strap Assembly: Pedal; Right
DM-011	AK66-00047-0001	1	Right Pedal W/ Strap Assembly

Heart Rate System - Handlebar and Components



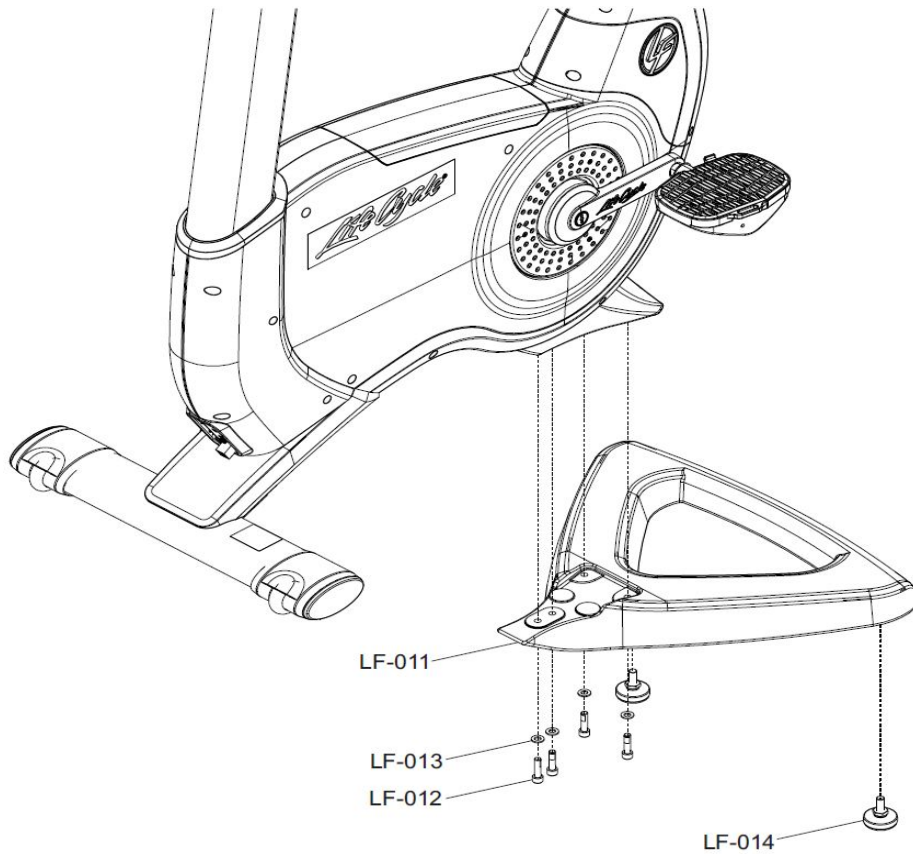
Ref #	Part Number	Qty	Description
HR-001	AK67-00006-0000	1	Handlebar Assembly
HR-002	0017-00101-1920	1	Hardware: Mounting Screw 16MM
HR-003	0017-00103-0341	1	Hardware: Hex Nut 8 MM
HR-004	AK63-00014-0004	2	Heart Rate Electrode
HR-005	0K66-01141-0000	2	Insulator Plug
HR-006	0017-00101-1720	2	Hardware: Mounting Screw 1"
HR-007	AK63-00028-0001	1	LifePulse Cable
HR-008	0K63-01114-0000	2	Cap

Lower Frame - Front Stabilizer and Components



Ref #	Part Number	Qty	Description
LF-001	0K66-01041-0000	2	Shorud Stabilizer Front
LF-002	0017-00101-1881	3	Hardware: Screw 20 MM
LF-003	0017-00104-0479	3	Hardware: Flat Washer 25.4MM OD
LF-004	0K66-01039-0000	2	Wheel
LF-005	0K66-01040-0000	1	Wheel Shaft
LF-006	0K66-01042-0000	2	End Cap (Front and Rear)
LF-007	AK66-00016-0000	1	Front Stabilizer
LF-008	0K69-01255-2400	1	POWER BRICK CLIP; CHGR

Lower Frame - Leg Leveler and Rear Stabilizer

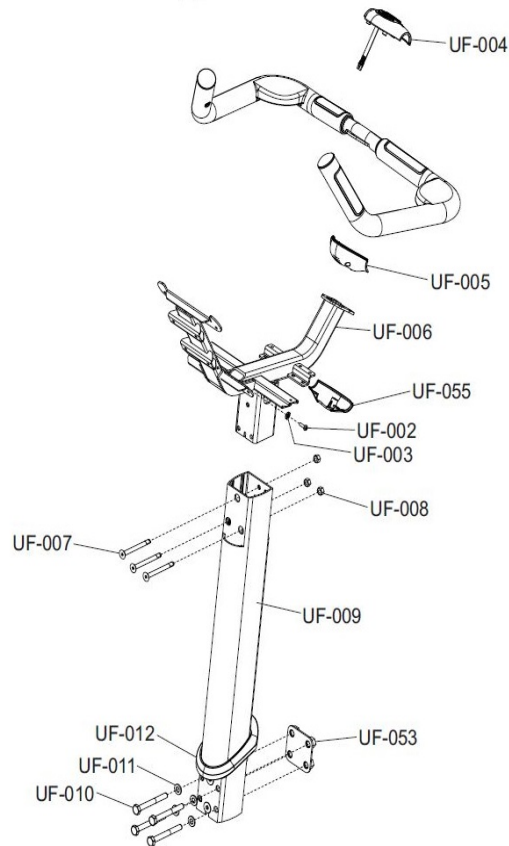


Ref #	Part Number	Qty	Description
LF-011	0K67-01124-0200	1	STABILIZER: BIKE; REAR
LF-012	0017-00101-1882	4	Hardware: Stabilizer Mounting Screw 30MM
LF-013	0017-00104-0469	4	Hardware: Flat Washer 16MM OD
LF-014	AK62-00124-0000	2	Leg Leveler

Miscellaneous

Ref #	Part Number	Qty	Description
MISC-002	0017-00003-1091	1	POWER SUPPLY: 24VDC, 5A
MISC-003	0017-00003-1053	1	LINE-CORD: BRAZIL, IEC-C13
MISC-003	0017-00003-0691	1	Line Cord Cont 10A 250 V
MISC-003	0017-00003-0918	1	Line Cord - Australia
MISC-003	0017-00003-0889	1	Line Cord Cont U.K. 10A
MISC-003	0017-00003-0704	1	Line Cord 10A 125 V
MISC-004	0017-00008-0204	1	Paint Spray Can - Arctic Silver
MISC-005	0017-00008-0205	1	5 oz Bottle - Arctic Silver
MISC-006	0017-00008-0206	1	.33oz Pen - Arctic Silver
MISC-007	AK66-00161-0000	1	BRKT ASSY: POWER/COAX INPUT
MISC-008	0K66-01063-0000	1	Power Coax Bracket
MISC-009	0017-00021-2846	1	F-Type Panel Connector
MISC-010	0017-00021-3195	1	COUPLER: CAT5E, SHIELDED, RJ45

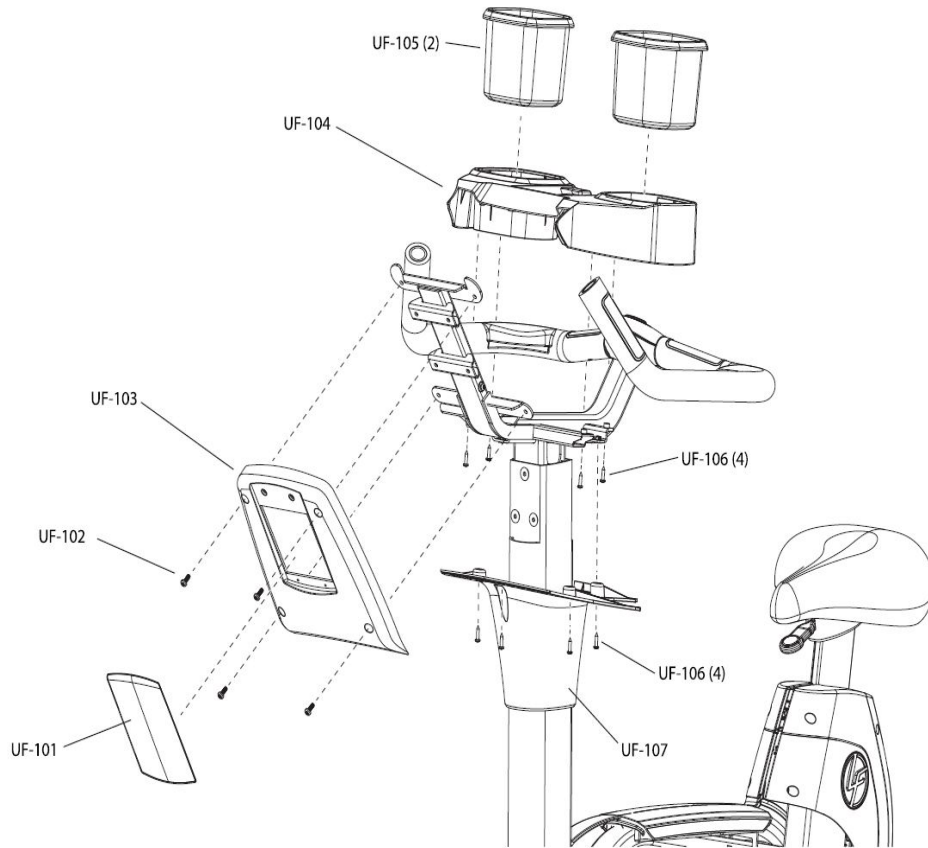
Upper Frame - Monocolumn and Console Mounting Bracket



Ref #	Part Number	Qty	Description
UF-002	0017-00101-1986	1	Hardware: Mounting Screw 16MM
UF-003	0017-00104-0460	1	Hardware: Lockwasher 0.562" OD
UF-004	AK67-00029-0000	1	Level Control Assembly
UF-005	0K67-01051-0000	1	Bottom Front Handlebar Cover
UF-006	AK67-00048-0000	1	FRAME: CONSOLE MTG ASSY; UPRIGHT; PURCH
UF-007	0017-00101-2019	1	Hardware: Mounting Screw 85MM
UF-008	0017-00103-0341	1	Hardware: Hex Nut 8 MM
UF-009	0K67-01129-0000	1	EXTRUSION: MONOCOLUMN; 95C ARC
UF-010	0017-00101-2035	4	Hardware: Mounting Screw
UF-011	0017-00104-0470	4	Hardware: Washer 20 MM OD
UF-012	0K67-01039-0000	1	Upright Gasket
UF-053	AK66-00158-0000	1	WELD ASSY: NUTPLATE; MONOCOLUMN, UNIPLATE
UF-055	0K67-01052-0000	1	Bottom Rear Handlebar Cover

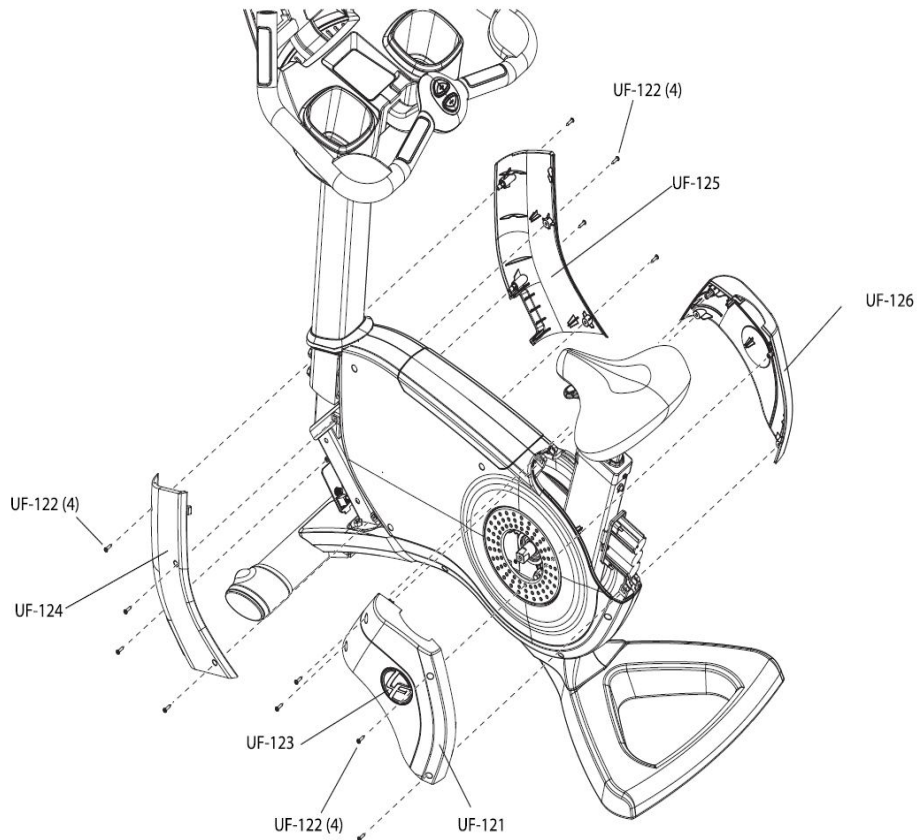
Ref #	Part Number	Qty	Description
UF-054	0017-00101-2011	2	Hardware: Screw 10MM
UF-057	0017-00104-0411	2	Hardware: Flat Washer 0.375" OD
UF-058	0K67-01013-0000	1	Seat Post Rack

Upper Frame - Shrouds - Console



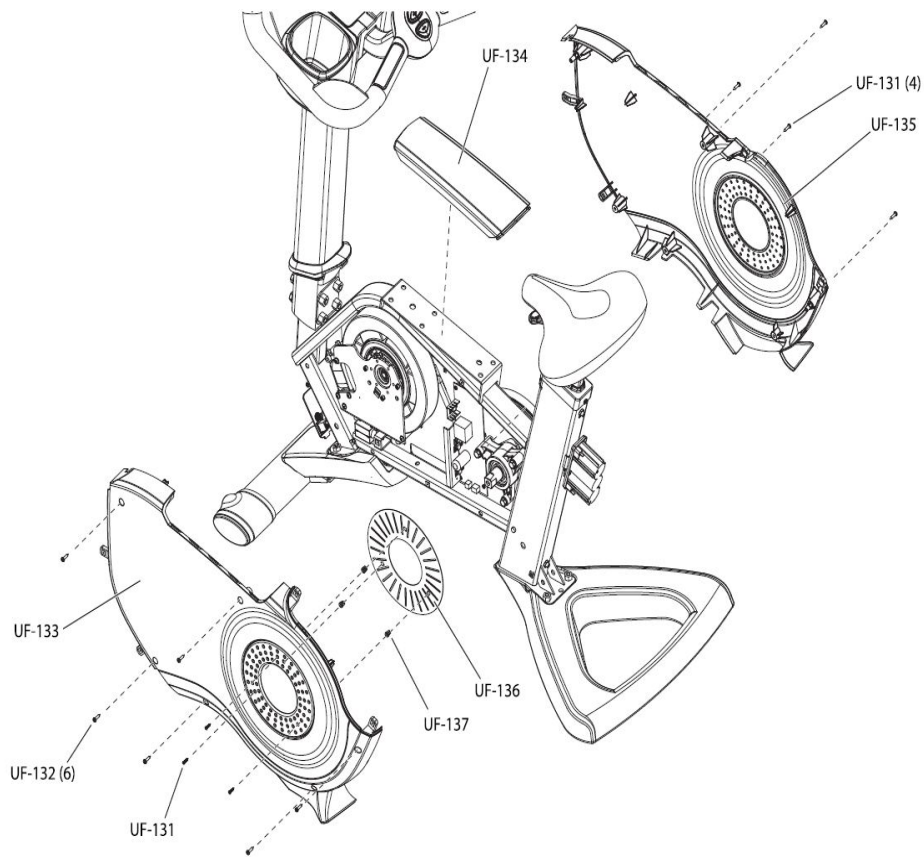
Ref #	Part Number	Qty	Description
UF-101	AK92-00059-0000	1	ASSEMBLY: MIDDLE SHROUD; CONSOLE; APOLLO 2
UF-102	0017-00101-1940	4	Hardware: Screw 14MM
UF-103	0K67-01040-0000	1	Rear Console Cover
UF-104	AK67-00019-0000	1	Console Shroud Top
UF-105	0K67-01055-0000	2	Accessory: Cupholder
UF-106	0017-00101-1796	8	Hardware: Mounting Screw 19 MM
UF-107	0K67-01041-0000	1	Console Shroud Bottom

Upper Frame - Shrouds - Front and Seat



Ref #	Part Number	Qty	Description
UF-121	AK67-00051-0001	1	Cable Assembly: User Arm
UF-122	0017-00101-1796	12	Hardware: Mounting Screw 19 MM
UF-123	0K65-01264-0000	2	LF Bug Decal
UF-124	0K67-01033-0000	1	Left Front Shroud
UF-125	AK67-00049-0000	1	Right Front Shroud
UF-126	AK67-00050-0001	1	Shroud with Decal Assembly: Seat Post

Upper Frame - Shrouds - (Left, Right, Step) and GBC Shield



Ref #	Part Number	Qty	Description
UF-131	0017-00101-2103	3	SCR: #6 X 5/8 FLT PHL AB ST BLK
UF-132	0017-00101-1796	10	Hardware: Mounting Screw 19 MM
UF-133	AK67-00033-0008	2	SHROUD/DECAL; MAIN; LIFECYCLE LH NP VENT
UF-134	0K67-01038-0000	1	Step Shroud
UF-135	AK67-00032-0008	2	SHROUD/DECAL; MAIN; LIFECYCLE RH NP VENT
UF-136	0K66-01267-0000	1	SHIELD: SHROUD; GBC
UF-137	0017-00042-1134	3	Grommet

