

# PCSR Recumbent Bike Base - Heart Rate

PCSR-ALLXX-06

## Parts Manual

1/5/2019 15:40:01 PM

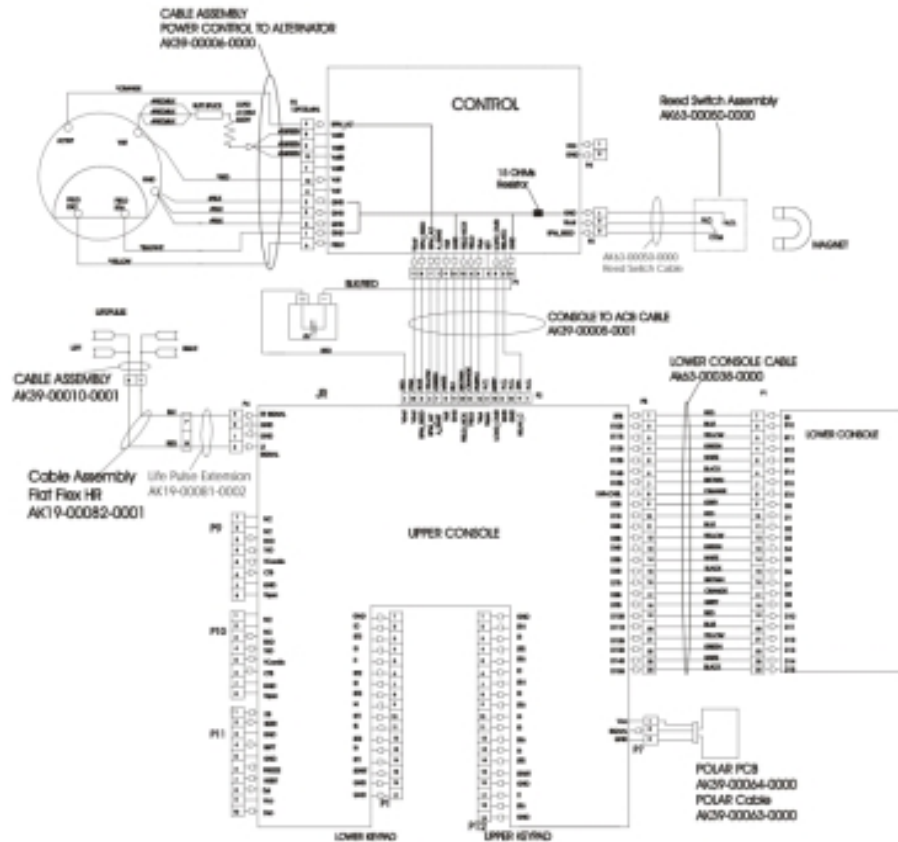


**Table of Contents**

---

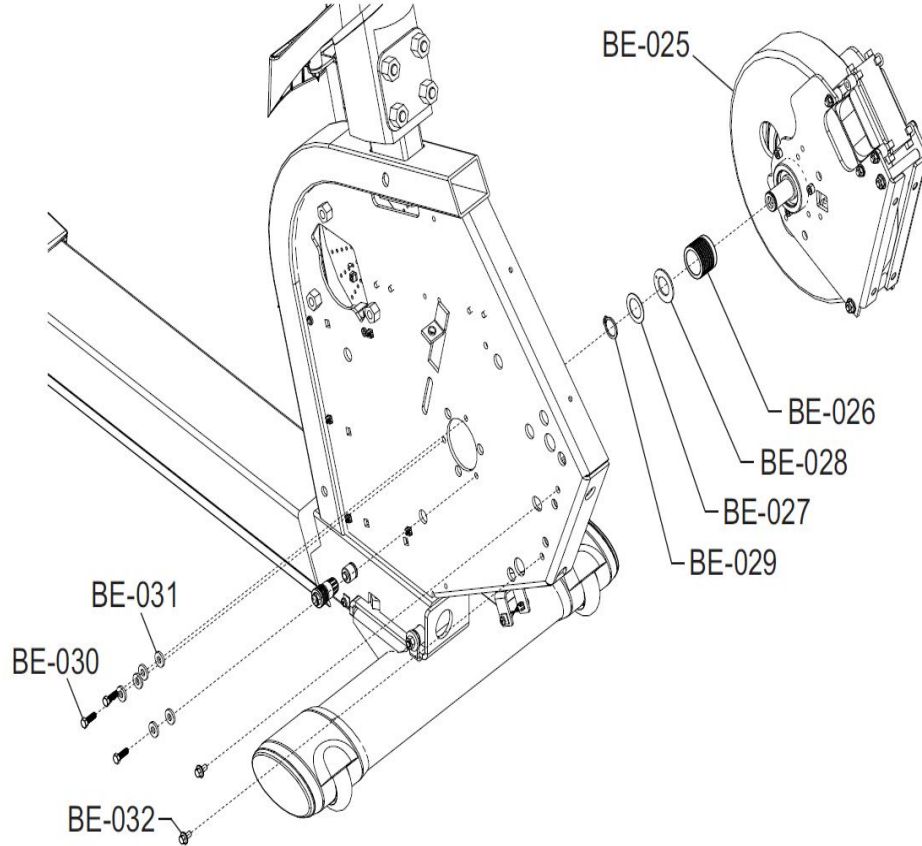
<a href="#">Base Frame Electronics - Cables.....</a>	<a href="#">3</a>
<a href="#">Base Frame Electronics - Generator Assembly.....</a>	<a href="#">4</a>
<a href="#">Base Frame Electronics - GBC Assembly.....</a>	<a href="#">5</a>
<a href="#">Drive System - Idler Assembly.....</a>	<a href="#">6</a>
<a href="#">Drive System - Pedals and Cranks.....</a>	<a href="#">7</a>
<a href="#">Drive System - Pully and Belt.....</a>	<a href="#">8</a>
<a href="#">Heart Rate System - Seat Handle Components.....</a>	<a href="#">9</a>
<a href="#">Lower Frame - Front Stabilizer, Leg Leveler and Components.....</a>	<a href="#">10</a>
<a href="#">Miscellaneous Part Numbers.....</a>	<a href="#">11</a>
<a href="#">Seat Assembly - Carriage Assembly.....</a>	<a href="#">12</a>
<a href="#">Seat Assembly - Extrusion Assembly.....</a>	<a href="#">13</a>
<a href="#">Seat Assembly - Seat Pad and Back Pad.....</a>	<a href="#">14</a>
<a href="#">Upper Frame - Monocolumn Assembly.....</a>	<a href="#">15</a>
<a href="#">Upper Frame - Shrouds.....</a>	<a href="#">16</a>

## Base Frame Electronics - Cables



Ref #	Part Number	Qty	Description
BE-011	AK92-00049-0001	1	CABLE ASSY, EXTENSION TO CONSOLE (RECUMBENT)
BE-012	AK65-00103-0002	1	CBL ASSY: GROUND, ESD
BE-013	AK66-00101-0000	1	Cable: Handlebar; Recumbent
BE-014	AK66-00102-0000	1	Cable: Carriage Recumbent
BE-015	AK66-00111-0000	1	Carriage Cable: Recumbent
BE-016	AK66-00103-0000	1	Flat Flex Cable Seat Adjustment
BE-017	AK66-00104-0000	1	Keypad/LifePulse Cable
BE-018	AK66-00107-0000	1	Generator/Brake Cable
BE-019	0017-00003-1091	1	POWER SUPPLY: 24VDC, 5A
BE-020	AK92-00069-0000	1	CABLE ASSEMBLY: EXTERNAL POWER; RECUMBENT
BE-021	AK92-00046-0000	1	PCB TO EXTENSION CABLE (BIKE)
BE-022	AK65-00062-0000	1	Cable: Coax RG6 Base
BE-023	AK70-00092-0000	1	CABLE ASSY: CAT5E, V2, 84 INCH
BE-024	AK66-00161-0000	1	BRKT ASSY: POWER/COAX INPUT

## Base Frame Electronics - Generator Assembly



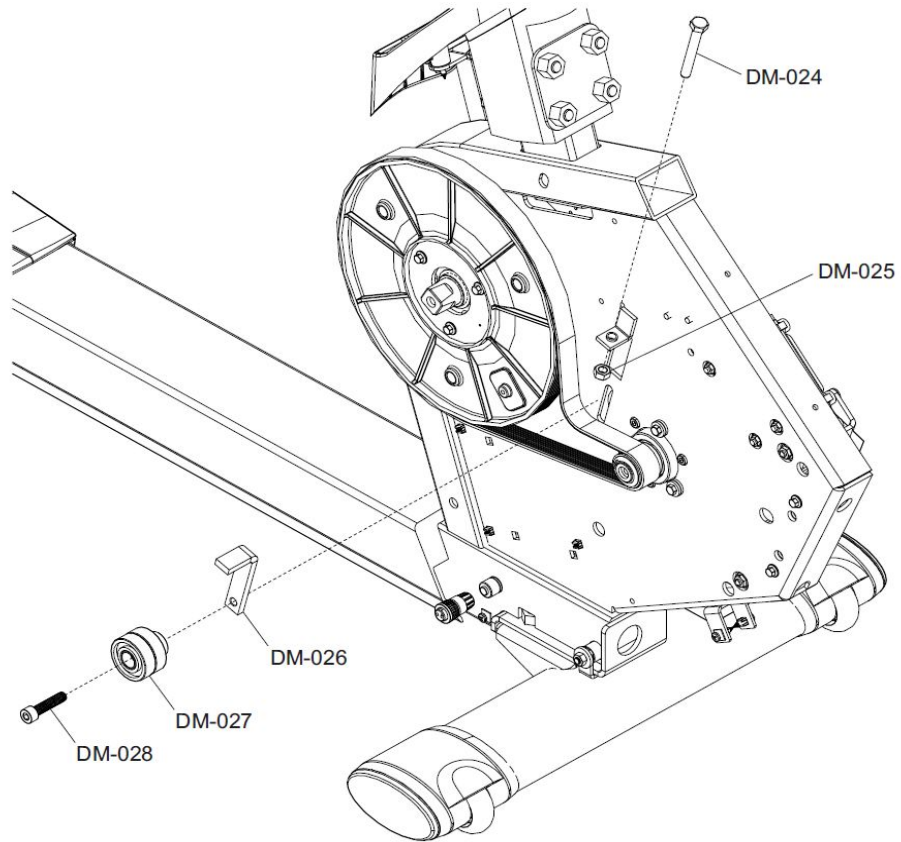
Ref #	Part Number	Qty	Description
BE-025	AK66-00172-0000	1	ASSY: GENERATOR/PULLEY; UNIPLATE,AP1/AP2, MFG.
BE-026	AK66-00165-0000	1	NC: PULLEY ASSY: W/CLUTCH, UNIPLATE, ISO/DIN
BE-027	0K66-01237-0000	1	Hardware: Shaft Washer Large
BE-028	0017-00104-0498	1	Hardware: Shaft Washer Small .734' OD
BE-029	0017-00100-0257	1	Retaining Ring
BE-030	0017-00101-1894	3	Hardware: Idler Assembly Mounting Bolt 16MM
BE-031	0017-00104-0330	6	Hardware: Flat Washers 0.562" OD
BE-032	0017-00101-2102	2	SCR: M5 X 0.8 6G6G X 10 HEX FLG L CS ST

**Base Frame Electronics - GBC Assembly**

---

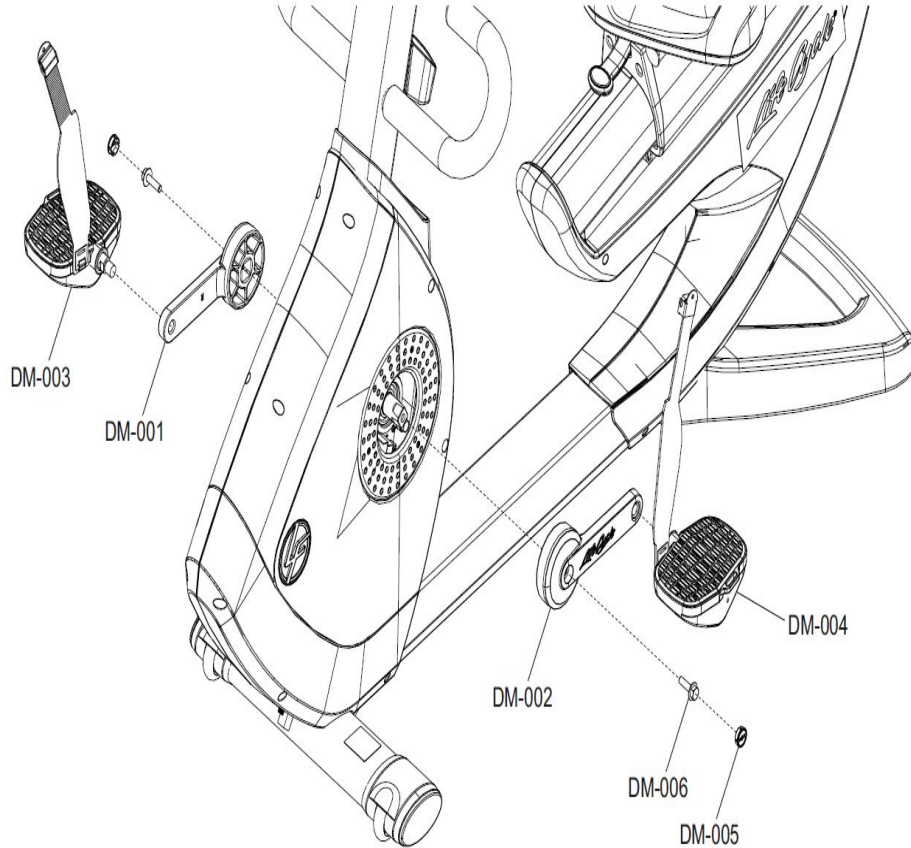
<b>Ref #</b>	<b>Part Number</b>	<b>Qty</b>	<b>Description</b>
BE-033	0017-00101-1838	4	Hardware: Mounting Screw 19 MM
BE-034	A084-92389-0001	1	PROGRAMMED PCB: B084-92389-0001
BE-035	0017-00042-1229	1	SPACER: ROUND PLASTIC
BE-036	0017-00101-1874	1	Hardware: Handle Mounting Screw 16 MM

## Drive System - Idler Assembly



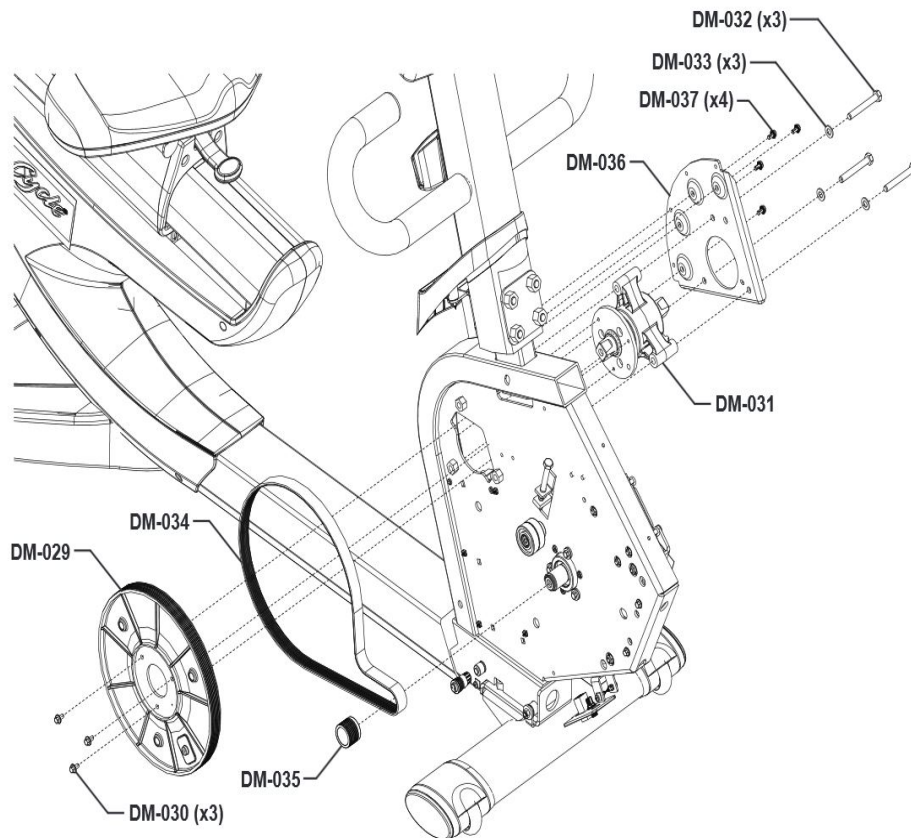
Ref #	Part Number	Qty	Description
DM-024	0017-00101-2002	1	Hardware: Tension Bolt 60MM
DM-025	0017-00103-0328	1	Hardware: Nut 8 MM ID
DM-026	0K66-01254-0000	1	BRKT: TENSIONER
DM-027	AK66-00173-0000	1	ASSY: IDLER & POST; AP1/AP2, MFG.
DM-028	0017-00101-1982	1	Hardware: Mounting Bolt 35MM

## Drive System - Pedals and Cranks



Ref #	Part Number	Qty	Description
DM-001	0K76-01054-0000	1	Right Crank Arm
DM-002	0K76-01053-0000	1	Left Crank Arm
DM-003	AK66-00047-0001	1	Right Pedal W/ Strap Assembly
DM-004	AK66-00048-0001	1	Left Pedal W/ Strap Assembly
DM-005	0K66-01121-0000	2	Crank Cap
DM-006	0017-00101-2077	2	Hardware: Screw 30MM

## Drive System - Pulley and Belt



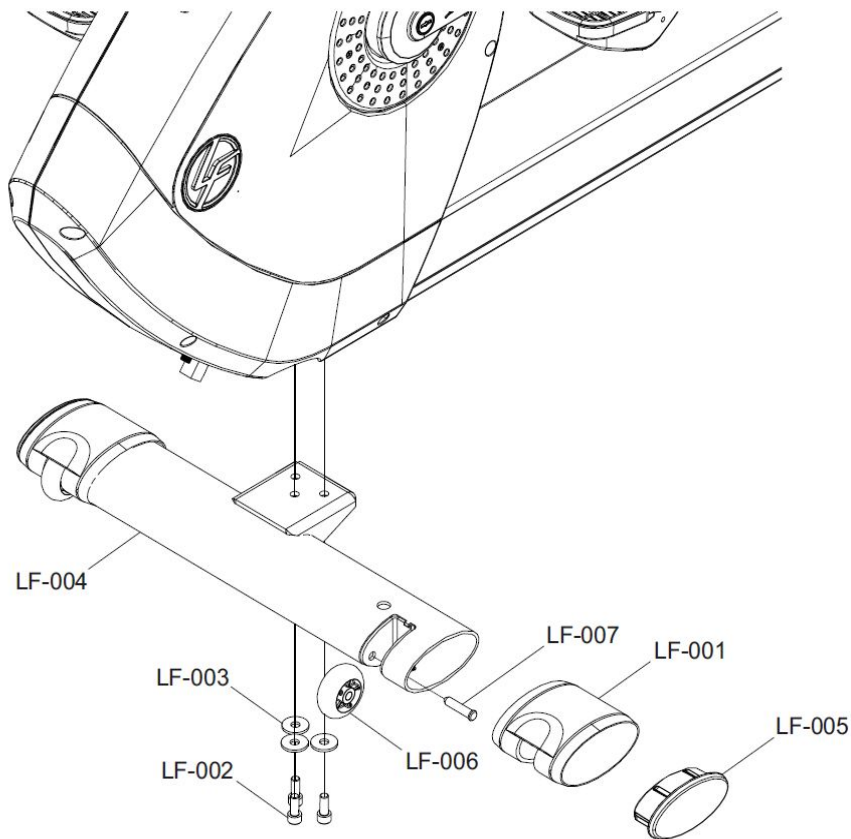
Ref #	Part Number	Qty	Description
DM-029	0K76-01068-0000	1	Pulley
DM-030	0017-00101-2102	3	SCR: M5 X 0.8 6G6G X 10 HEX FLG L CS ST
DM-031	AK66-00151-0000	1	HUB ASSY: CRANKSHAFT, UNIPLATE
DM-032	0017-00101-2002	3	Hardware: Tension Bolt 60MM
DM-033	0017-00104-0469	3	Hardware: Flat Washer 16MM OD
DM-034	0017-00009-1297	1	BELT: POLYV; 390J8
DM-035	AK66-00165-0000	1	NC: PULLEY ASSY: W/CLUTCH, UNIPLATE, ISO/DIN
DM-036	0K66-01288-0000	1	PLATE: REINFORCEMENT;UNIPLATE, RECUMBENT
DM-037	0017-00101-1193	4	Hardware: Screw 0.375"

## Heart Rate System - Seat Handle Components

---

Ref #	Part Number	Qty	Description
HR-001	AK66-00102-0000	1	Cable: Carriage Recumbent
HR-002	0017-00101-1983	2	Hardware: Mounting Bolt 20MM
HR-003	0017-00104-0520	6	WSH: M8.4 X 16.0 X 1.6 DIN FLAT ST ZS
HR-004	AK66-00167-0000	1	HANDLEBAR ASSY: MFG
HR-005	AK66-00164-0100	1	WELDMENT: SEAT FRAME; ARCTIC SILVER
HR-006	AK66-00101-0000	1	Cable: Handlebar; Recumbent
HR-007	AK63-00014-0002	2	ELECTRODE-INSERT ASSY: RED; PURCH S/C-D
HR-008	0K66-01141-0000	4	Insulator Plug
HR-009	0017-00101-1720	2	Hardware: Mounting Screw 1"
HR-010	0K69-01166-0000	1	Dummy End Cap
HR-011	0017-00101-2032	2	Hardware: Mounting Screw
HR-012	AK69-00100-0000	1	Resistance Level Button Assembly
HR-013	0017-00103-0387	2	Hardware: Nut 8 MM ID
HR-014	0K66-01084-0000	2	GRIP: ARMREST; PURCH
HR-015,HR-018,HR-019	GK66-00002-0007	3	KIT: ELEVATION REC HANDLBAR/SEAT FRAME CONV
HR-015	GK66-00002-0008	1	KIT: IFI ELEVATION REC HANDLEBAR/SEAT FRAME CONV
HR-016	0017-00101-1881	4	Hardware: Screw 20 MM
HR-017	0017-00104-0469	4	Hardware: Flat Washer 16MM OD
HR-020	0017-00101-1931	2	Hardware: Front Stabilizer Mtg Bolts 25MM

## Lower Frame - Front Stabilizer, Leg Leveler and Components



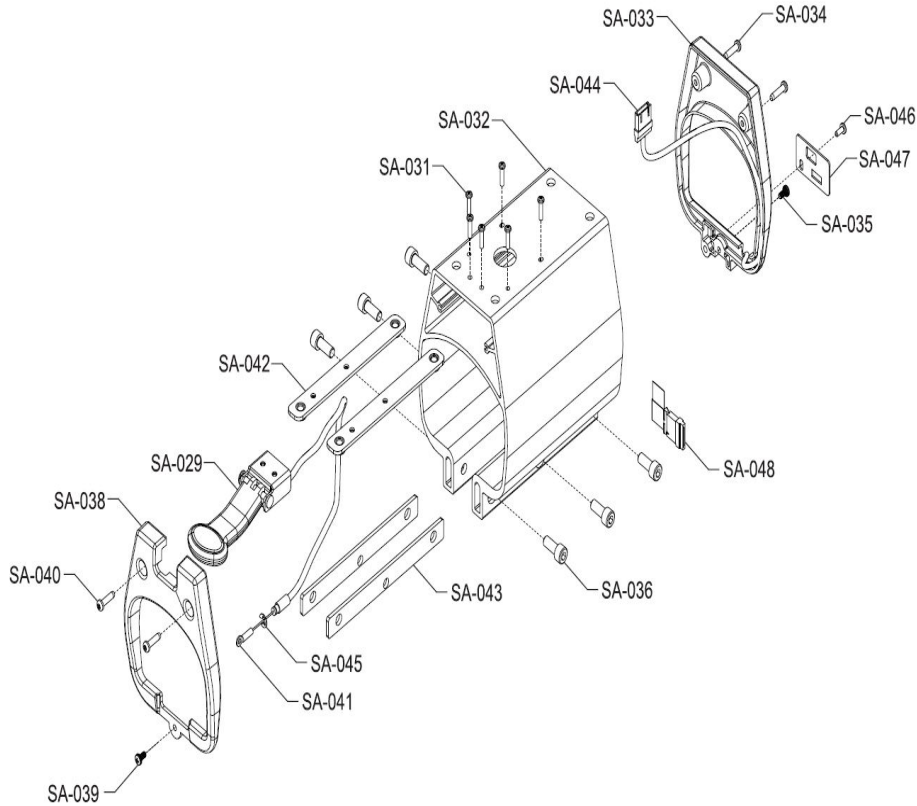
Ref #	Part Number	Qty	Description
LF-001	0K66-01041-0000	2	Shorud Stabilizer Front
LF-002	0017-00101-1881	3	Hardware: Screw 20 MM
LF-003	0017-00104-0479	3	Hardware: Flat Washer 25.4MM OD
LF-004	AK66-00016-0001	1	Front Stabilizer
LF-005	0K66-01042-0000	2	End Cap (Front and Rear)
LF-006	0K66-01039-0000	2	Wheel
LF-007	0K66-01040-0000	2	Wheel Shaft

## Miscellaneous Part Numbers

---

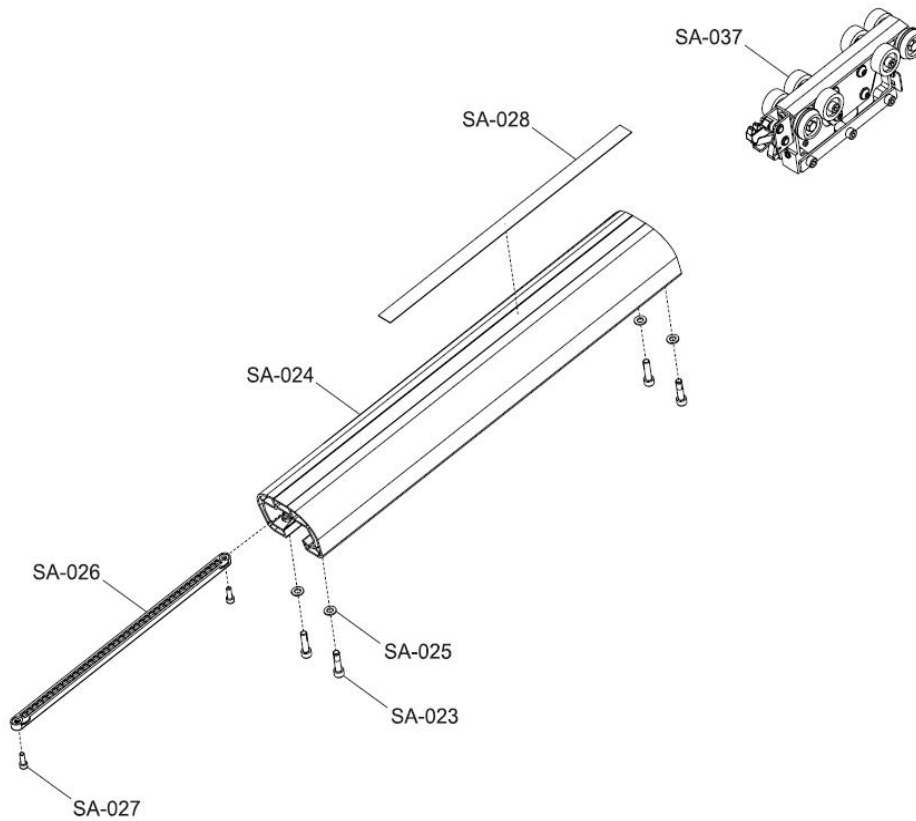
Ref #	Part Number	Qty	Description
MISC-002	0017-00003-1091	1	POWER SUPPLY: 24VDC, 5A
MISC-003	0017-00003-1053	1	LINE-CORD: BRAZIL, IEC-C13
MISC-003	0017-00003-0918	1	Line Cord - Australia
MISC-003	0017-00003-0889	1	Line Cord Cont U.K. 10A
MISC-003	0017-00003-0691	1	Line Cord Cont 10A 250 V
MISC-003	0017-00003-0704	1	Line Cord 10A 125 V
MISC-004	0017-00008-0204	1	Paint Spray Can - Arctic Silver
MISC-005	0017-00008-0205	1	5 oz Bottle - Arctic Silver
MISC-006	0017-00008-0206	1	.33oz Pen - Arctic Silver
MISC-007	AK66-00161-0000	1	BRKT ASSY: POWER/COAX INPUT
MISC-008	0K66-01063-0202	1	BRACKET: POWER/COAX, SHDW
MISC-009	0017-00021-2846	1	F-Type Panel Connector
MISC-010	0017-00021-3195	1	COUPLER: CAT5E, SHIELDED, RJ45

## Seat Assembly - Carriage Assembly



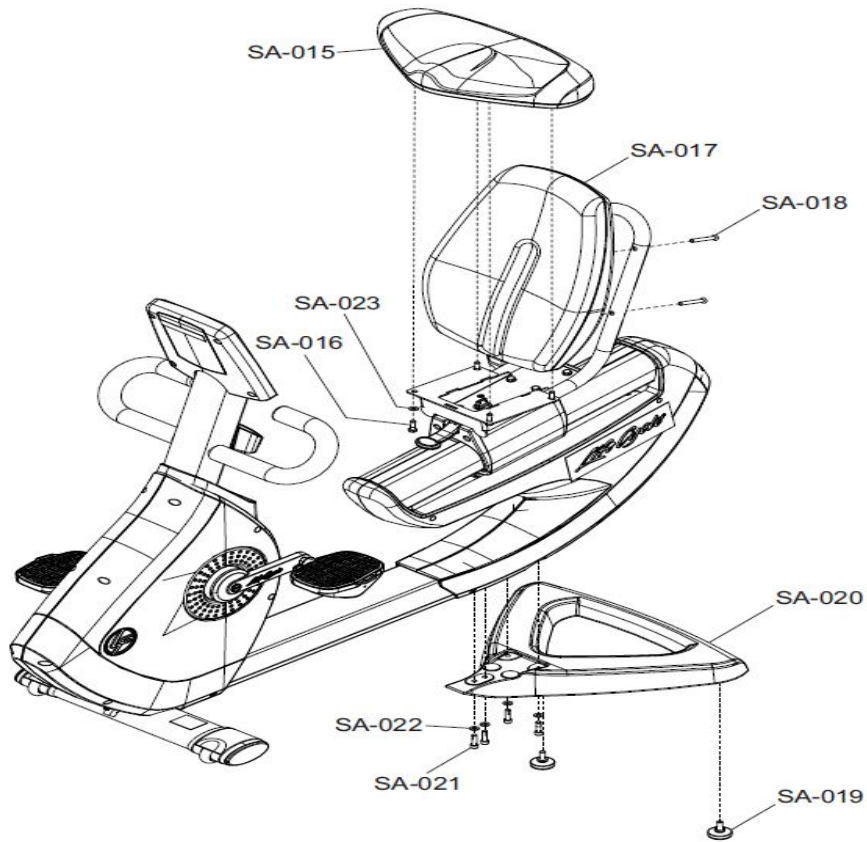
Ref #	Part Number	Qty	Description
SA-029	AK66-00027-0000	1	Handle Assembly
SA-031	0017-00101-1874	6	Hardware: Handle Mounting Screw 16 MM
SA-032	0K66-01028-0000	1	Seat Carriage
SA-033	AK66-00087-0000	1	Rear Carriage Cover
SA-034,SA-040	0017-00101-2009	4	Hardware: Mounting Screw 0.75"
SA-035,SA-039	0017-00101-0233	2	Rear Cover Mounting Screw
SA-036	0017-00101-1881	6	Hardware: Screw 20 MM
SA-037	AK66-00009-0000	1	Roller Assembly
SA-038	0K66-01034-0000	1	Front Carriage Cover
SA-042	AK66-00121-0000	2	PLATE ASSY: CARRIAGE NUT
SA-043	0K66-01187-0000	2	PLATE:SEAT CARRIAGE; WASHER
SA-044	AK66-00111-0000	1	Carriage Cable: Recumbent
SA-045	0017-00100-0250	1	E Ring
SA-046	0017-00101-1878	1	M 4X0.70-6g6gX 10 ISO PHL PAN MS ST ZN B
SA-047	0K66-01214-0000	1	FLAT CABLE RETAINER; PURCH
SA-048	AK66-00103-0001	1	Cable Assembly: Lifepulse, Flatflex, Black

## Seat Assembly - Extrusion Assembly



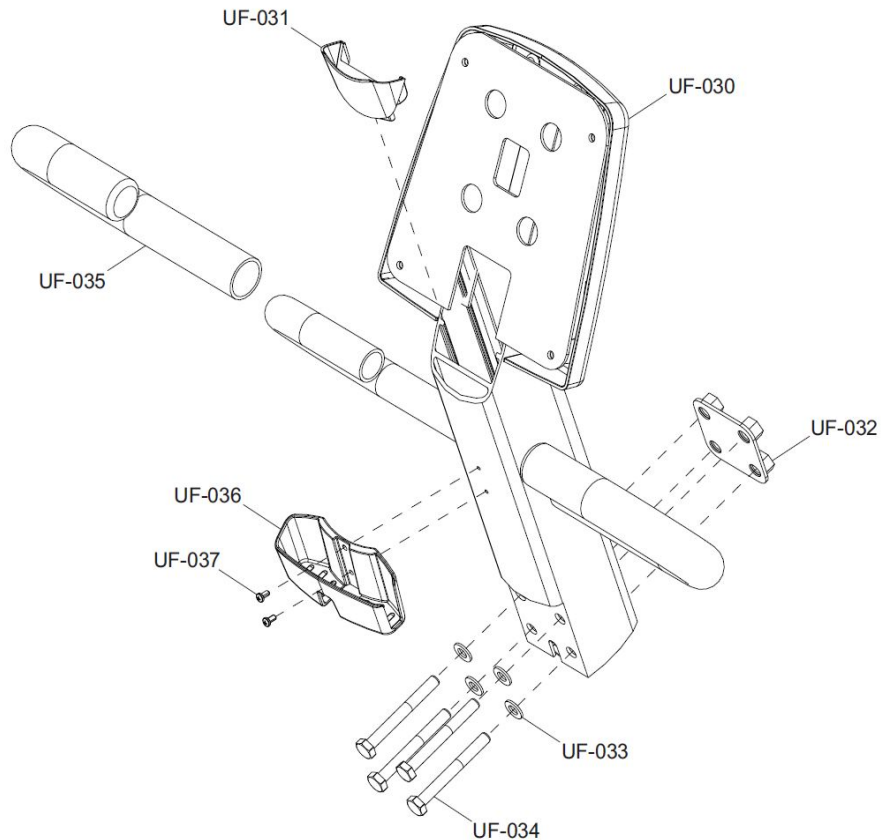
Ref #	Part Number	Qty	Description
SA-023	0017-00101-1882	4	Hardware: Stabilizer Mounting Screw 30MM
SA-024	AK66-00031-0000	1	Extrusion Assembly: Recumbent
SA-025	0017-00104-0469	4	Hardware: Flat Washer 16MM OD
SA-026	0K66-01023-0000	1	Accessory: Rack
SA-027	0017-00101-1891	2	Hardware: Mounting Screw 16MM
SA-028	0K66-01061-0000	1	Decal

## Seat Assembly - Seat Pad and Back Pad



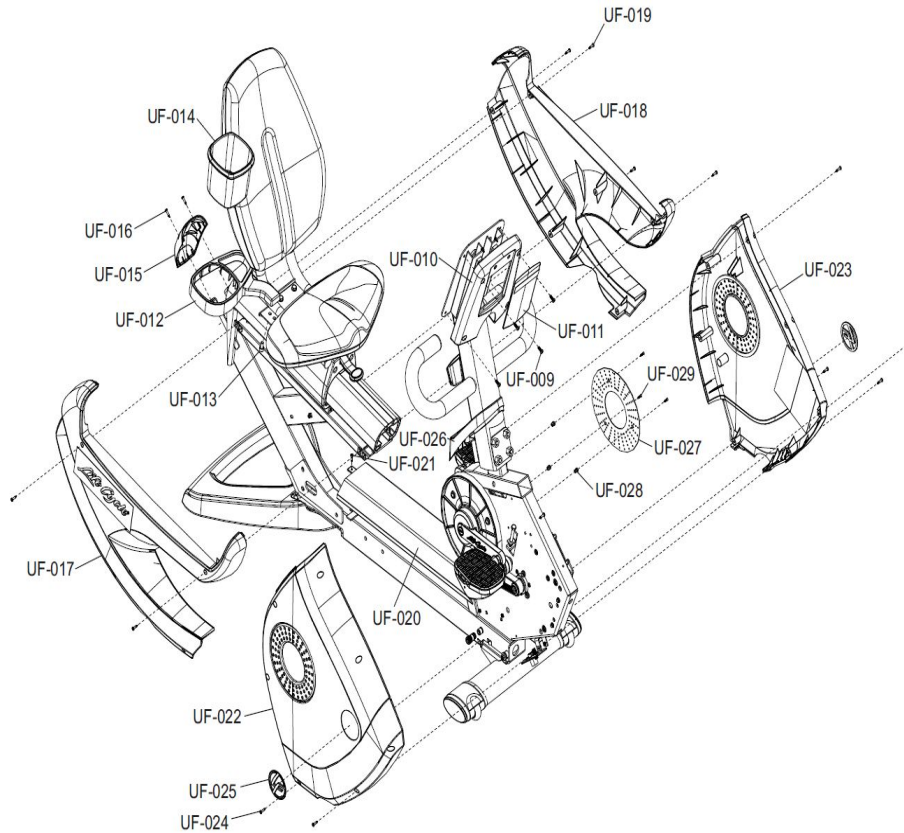
Ref #	Part Number	Qty	Description
SA-015	AK66-00052-0000	1	Recumbent Seat
SA-016	0017-00101-1931	4	Hardware: Front Stabilizer Mtg Bolts 25MM
SA-017	AK66-00072-0000	1	Seat Back
SA-018	0017-00101-2018	4	Hardware: Mounting Screw 60MM
SA-019	AK62-00124-0000	2	Leg Leveler
SA-020	0K67-01124-0200	1	STABILIZER: BIKE; REAR
SA-021	0017-00101-1882	4	Hardware: Stabilizer Mounting Screw 30MM
SA-022	0017-00104-0469	4	Hardware: Flat Washer 16MM OD
SA-023	0017-00104-0520	4	WSH: M8.4 X 16.0 X 1.6 DIN FLAT ST ZS

## Upper Frame - Monocolumn Assembly



Ref #	Part Number	Qty	Description
UF-030	AK66-00156-0100	1	{B299} MONO-COLUMN 95R ARTIC SILVER
UF-031	0K66-01099-0000	1	Mocolumn Cover
UF-032	AK66-00158-0000	1	WELD ASSY: NUTPLATE; MONOCOLUMN, UNIPLATE
UF-033	0017-00104-0470	4	Hardware: Washer 20 MM OD
UF-034	0017-00101-2035	4	Hardware: Mounting Screw
UF-035	0K66-01072-0000	2	Grip
UF-036	0K66-01112-0000	1	I-pod Bracket
UF-037	0017-00101-1732	2	Hardware: I-pod Bracket Mounting Screw 0.375"

## Upper Frame - Shrouds



Ref #	Part Number	Qty	Description
UF-009	0017-00101-1940	4	Hardware: Screw 14MM
UF-010	0K66-01100-0000	1	Console Back Cover
UF-011	AK92-00059-0000	1	ASSEMBLY: MIDDLE SHROUD; CONSOLE; APOLLO 2
UF-012	AK66-00055-0000	1	Accessory: Cupholder
UF-013	0017-00101-2030	2	Hardware: Mounting Screw 16MM
UF-014	0K67-01055-0000	1	Accessory: Cupholder
UF-015	0K66-01055-0000	1	Rear End Cap Mounting Screw
UF-016,UF-019,UF-021,UF-024	0017-00101-1796	16	Hardware: Mounting Screw 19 MM
UF-017	AK66-00044-0004	1	SHROUD/DECAL:REAR; MFG; LIFECYCLE RT NP
UF-018	AK66-00045-0004	1	SHROUD/DECAL:REAR; MFG; LIFECYCLE LT NP
UF-020	0K66-01059-0000	1	Middle Shroud
UF-022	AK66-00042-0004	1	Front Right Shroud CS Decal Shadow Gray with Vents - PCSR
UF-023	AK66-00043-0004	1	Front Left Shroud CS Decal Shadow Gray with Vents - PCSR
UF-025	0K65-01264-0000	2	LF Bug Decal
UF-026	0K66-01057-0000	1	Accessory: Media Holder
UF-027	0K66-01267-0000	1	SHIELD: SHROUD; GBC
UF-028	0017-00042-1134	3	Grommet
UF-029	0017-00101-2103	3	SCR: #6 X 5/8 FLT PHL AB ST BLK

