

# PCSR STD PLWT Recumbent Bike Base

PCSR-ALLXX-2107

## Parts Manual

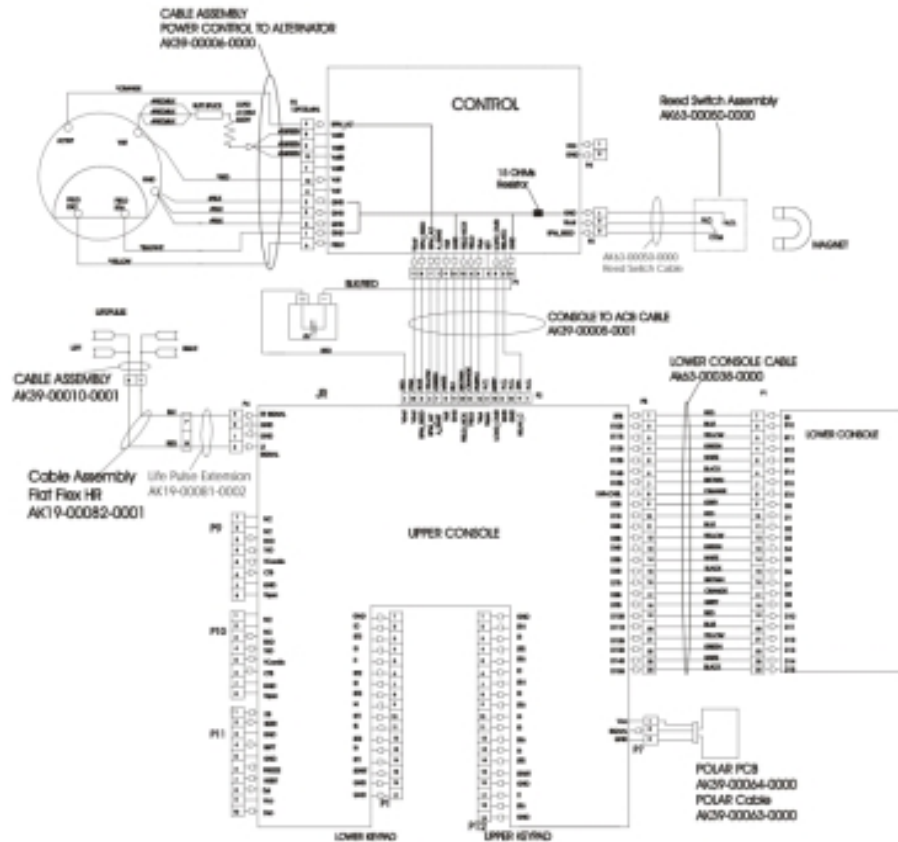
1/5/2019 15:40:01 PM

**Table of Contents**

---

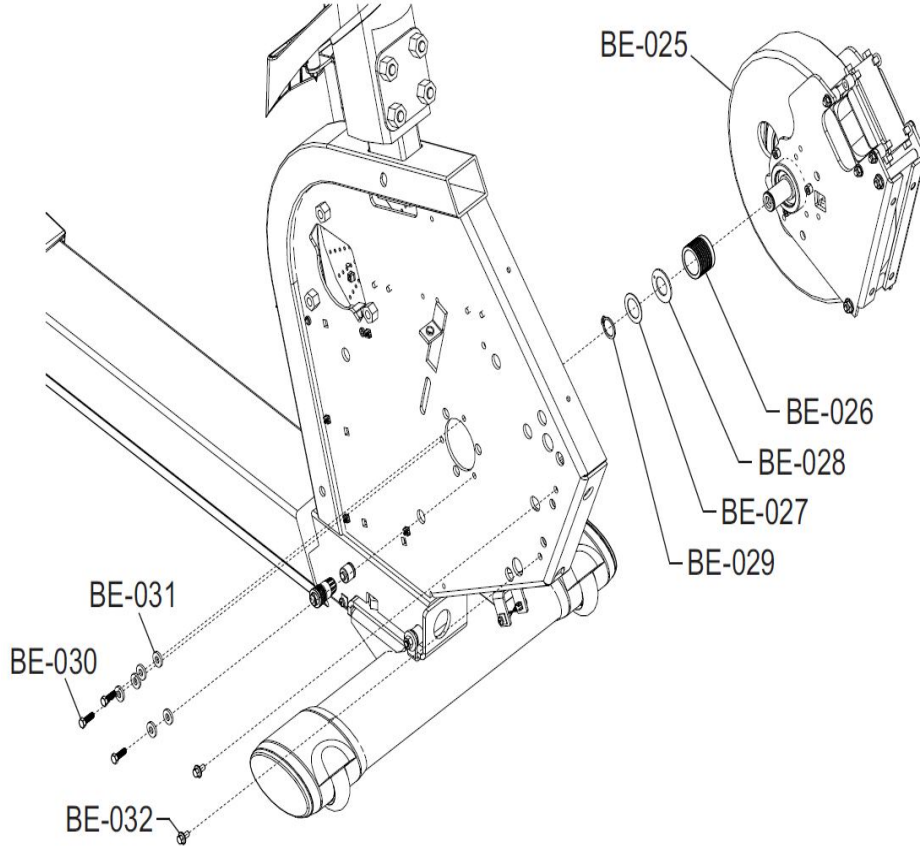
<a href="#">Base Frame Electronics - Cables.....</a>	<a href="#">3</a>
<a href="#">Base Frame Electronics - Generator Assembly.....</a>	<a href="#">4</a>
<a href="#">Base Frame Electronics - GBC Assembly.....</a>	<a href="#">5</a>
<a href="#">Drive System - Idler Assembly.....</a>	<a href="#">6</a>
<a href="#">Drive System - Pedals and Cranks.....</a>	<a href="#">7</a>
<a href="#">Drive System - Pully and Belt.....</a>	<a href="#">8</a>
<a href="#">Heart Rate System - Seat Handle Components.....</a>	<a href="#">9</a>
<a href="#">Lower Frame - Front Stabilizer, Leg Leveler and Components.....</a>	<a href="#">10</a>
<a href="#">Miscellaneous Part Numbers.....</a>	<a href="#">11</a>
<a href="#">Seat Assembly - Carriage Assembly.....</a>	<a href="#">12</a>
<a href="#">Seat Assembly - Extrusion Assembly.....</a>	<a href="#">13</a>
<a href="#">Seat Assembly - Optional Arm Rest.....</a>	<a href="#">14</a>
<a href="#">Seat Assembly - Seat Pad and Back Pad.....</a>	<a href="#">16</a>
<a href="#">Upper Frame - Monocolumn Assembly.....</a>	<a href="#">17</a>
<a href="#">Upper Frame - Shrouds.....</a>	<a href="#">18</a>

## Base Frame Electronics - Cables



Ref #	Part Number	Qty	Description
BE-011	AK92-00049-0001	1	CABLE ASSY, EXTENSION TO CONSOLE (RECUMBENT)
BE-012	AK65-00103-0002	1	CBL ASSY: GROUND, ESD
BE-013	AK66-00101-0000	1	Cable: Handlebar; Recumbent
BE-014	AK66-00102-0000	1	Cable: Carriage Recumbent
BE-015	AK66-00111-0000	1	Carriage Cable: Recumbent
BE-016	AK66-00103-0000	1	Flat Flex Cable Seat Adjustment
BE-017	AK66-00104-0000	1	Keypad/LifePulse Cable
BE-018	AK66-00107-0000	1	Generator/Brake Cable
BE-019	0017-00003-1091	1	POWER SUPPLY: 24VDC, 5A
BE-020	AK92-00069-0000	1	CABLE ASSEMBLY: EXTERNAL POWER; RECUMBENT
BE-021	AK92-00046-0000	1	PCB TO EXTENSION CABLE (BIKE)
BE-022	AK65-00062-0000	1	Cable: Coax RG6 Base
BE-023	AK70-00092-0000	1	CABLE ASSY: CAT5E, V2, 84 INCH
BE-024	AK66-00161-0000	1	BRKT ASSY: POWER/COAX INPUT

## Base Frame Electronics - Generator Assembly



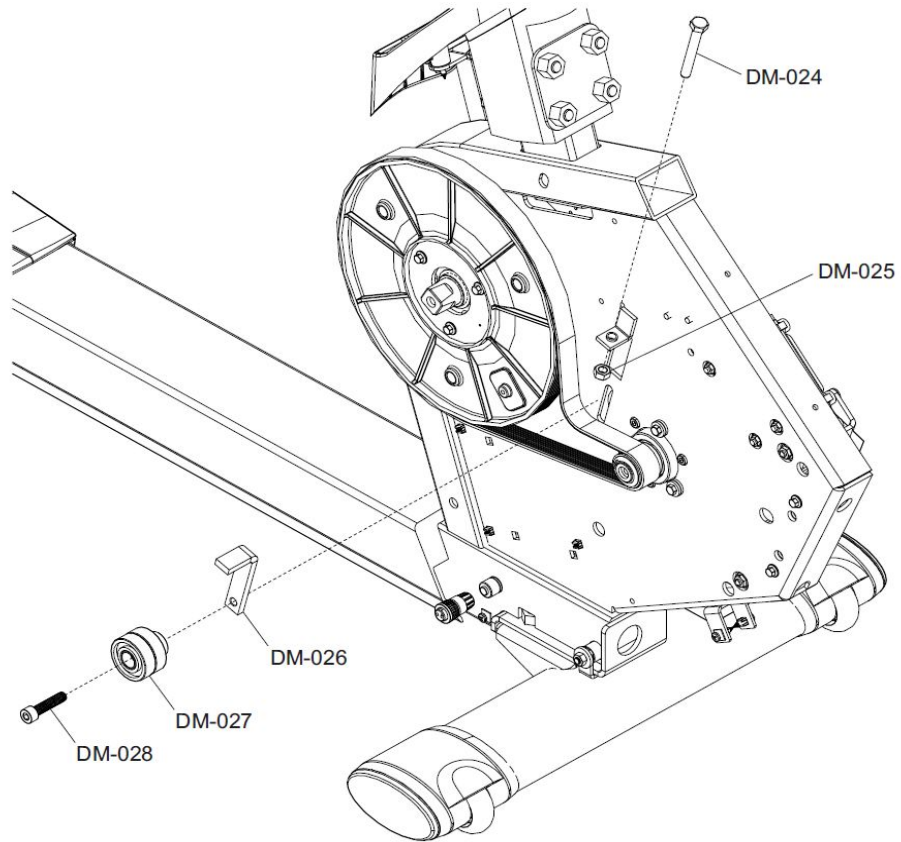
Ref #	Part Number	Qty	Description
BE-025	AK66-00172-0000	1	ASSY: GENERATOR/PULLEY; UNIPLATE,AP1/AP2, MFG.
BE-026	AK66-00165-0000	1	NC: PULLEY ASSY: W/CLUTCH, UNIPLATE, ISO/DIN
BE-027	0K66-01237-0000	1	Hardware: Shaft Washer Large
BE-028	0017-00104-0498	1	Hardware: Shaft Washer Small .734' OD
BE-029	0017-00100-0257	1	Retaining Ring
BE-030	0017-00101-1894	3	Hardware: Idler Assembly Mounting Bolt 16MM
BE-031	0017-00104-0330	6	Hardware: Flat Washers 0.562" OD
BE-032	0017-00101-2102	2	SCR: M5 X 0.8 6G6G X 10 HEX FLG L CS ST

**Base Frame Electronics - GBC Assembly**

---

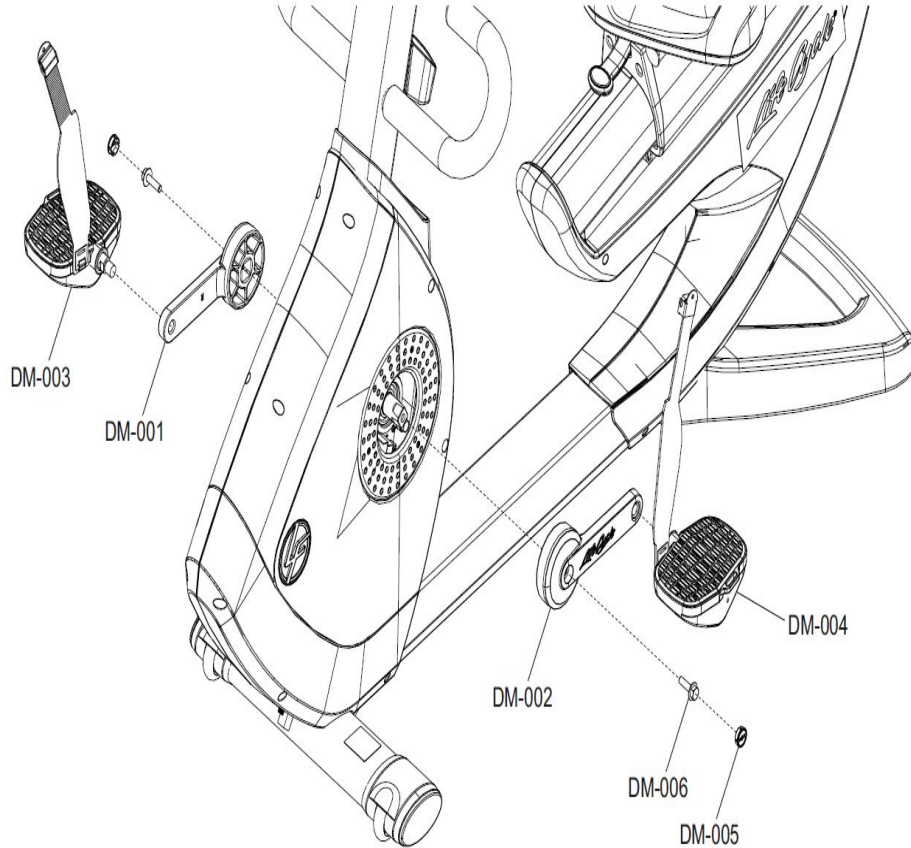
<b>Ref #</b>	<b>Part Number</b>	<b>Qty</b>	<b>Description</b>
BE-033	0017-00101-1838	4	Hardware: Mounting Screw 19 MM
BE-034	A084-92389-0001	1	PROGRAMMED PCB: B084-92389-0001
BE-035	0017-00042-1229	1	SPACER: ROUND PLASTIC
BE-036	0017-00101-1874	1	Hardware: Handle Mounting Screw 16 MM

## Drive System - Idler Assembly



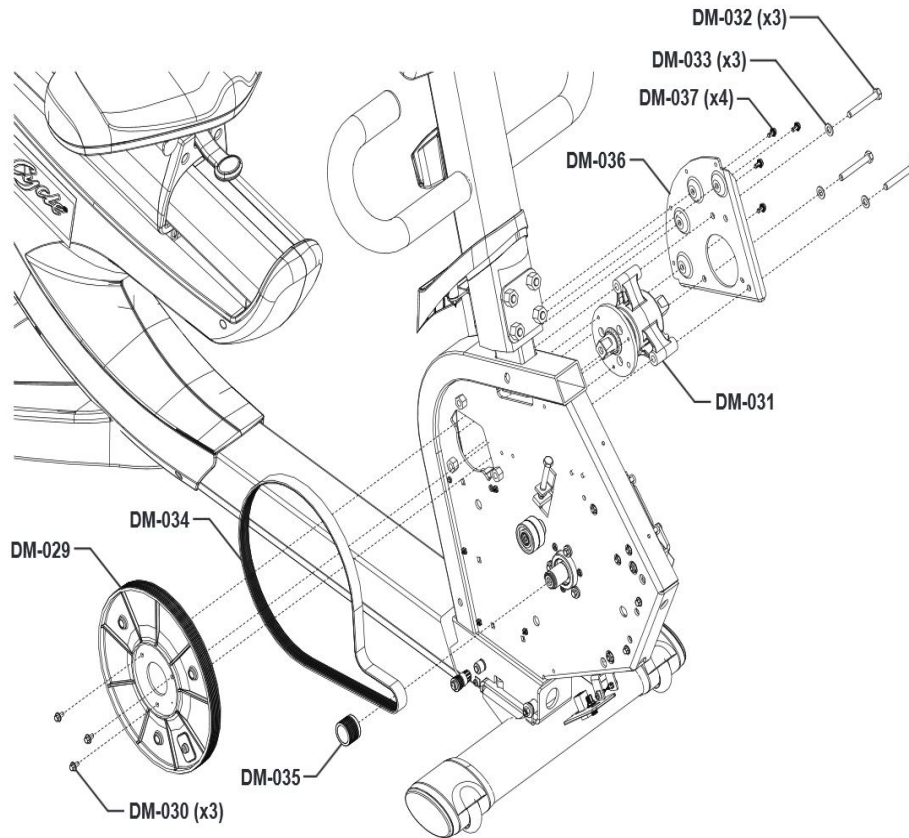
Ref #	Part Number	Qty	Description
DM-024	0017-00101-2002	1	Hardware: Tension Bolt 60MM
DM-025	0017-00103-0328	1	Hardware: Nut 8 MM ID
DM-026	0K66-01254-0000	1	BRKT: TENSIONER
DM-027	AK66-00173-0000	1	ASSY: IDLER & POST; AP1/AP2, MFG.
DM-028	0017-00101-1982	1	Hardware: Mounting Bolt 35MM

## Drive System - Pedals and Cranks



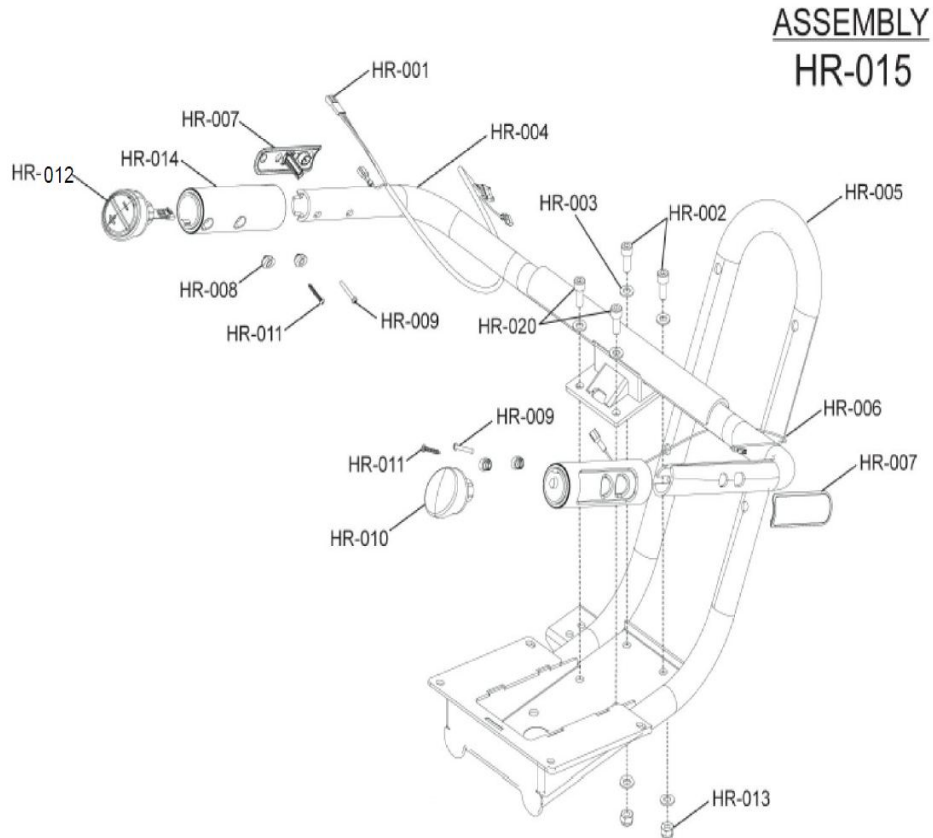
Ref #	Part Number	Qty	Description
DM-001	0K76-01054-2101	1	CRANK ARM: RIGHT, PLWT
DM-002	0K76-01053-2101	1	CRANK ARM: LEFT, PLWT
DM-003	AK66-00047-0701	1	PEDAL ASSY: W/STRAP, STANDARD, RIGHT, BLACK
DM-004	AK66-00048-0701	1	PEDAL ASSY: W/STRAP, STANDARD, LEFT, BLACK
DM-005	0K66-01121-2400	2	CAP: CRANK, CHARCOAL GRAY
DM-006	0017-00101-2077	2	Hardware: Screw 30MM

## Drive System - Pulley and Belt



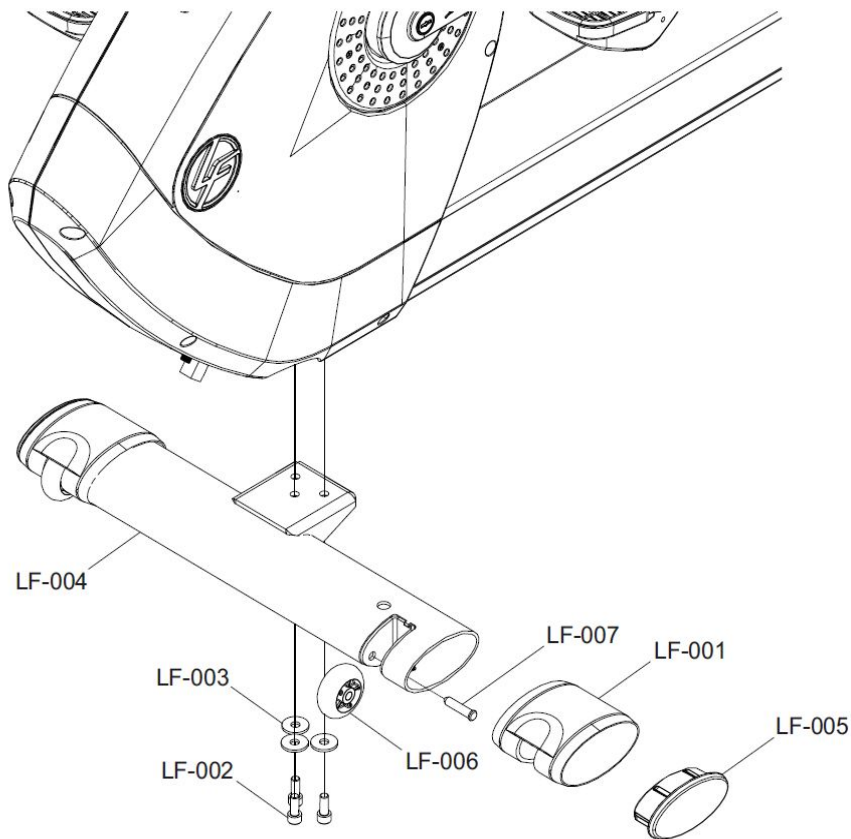
Ref #	Part Number	Qty	Description
DM-029	0K76-01068-0000	1	Pulley
DM-030	0017-00101-2102	3	SCR: M5 X 0.8 6G6G X 10 HEX FLG L CS ST
DM-031	AK66-00151-0000	1	HUB ASSY: CRANKSHAFT, UNIPLATE
DM-032	0017-00101-2002	3	Hardware: Tension Bolt 60MM
DM-033	0017-00104-0469	3	Hardware: Flat Washer 16MM OD
DM-034	0017-00009-1297	1	BELT: POLYV; 390J8
DM-035	AK66-00165-0000	1	NC: PULLEY ASSY: W/CLUTCH, UNIPLATE, ISO/DIN
DM-036	0K66-01288-0000	1	PLATE: REINFORCEMENT;UNIPLATE, RECUMBENT
DM-037	0017-00101-1193	4	Hardware: Screw 0.375"

# Heart Rate System - Seat Handle Components



Ref #	Part Number	Qty	Description
HR-001	AK66-00102-0000	1	Cable: Carriage Recumbent
HR-002	0017-00101-1983	2	Hardware: Mounting Bolt 20MM
HR-003	0017-00104-0520	6	WSH: M8.4 X 16.0 X 1.6 DIN FLAT ST ZS
HR-004	AK66-00167-2400	1	HANDLEBAR ASSY: RECUMBENT
HR-005	AK66-00164-2400	1	SEAT FRAME: CHGR
HR-006	AK66-00101-0000	1	Cable: Handlebar; Recumbent
HR-007	AK63-00014-0002	2	ELECTRODE-INSERT ASSY: RED; PURCH S/C-D
HR-008	0K66-01141-0001	4	PLUG: INSULATOR, BLACK
HR-009	0017-00101-1720	2	Hardware: Mounting Screw 1"
HR-010	0K69-01166-0700	1	ENDCAP: BUTTON DUMMY, MOLDED, BLACK
HR-011	0017-00101-2032	2	Hardware: Mounting Screw
HR-012	AK69-00100-0700	1	ASSEMBLY: BUTTON, BLACK
HR-013	0017-00103-0387	2	Hardware: Nut 8 MM ID
HR-014	0K66-01084-0700	2	GRIP: ARMREST; BLACK
HR-020	0017-00101-1931	2	Hardware: Front Stabilizer Mtg Bolts 25MM

## Lower Frame - Front Stabilizer, Leg Leveler and Components



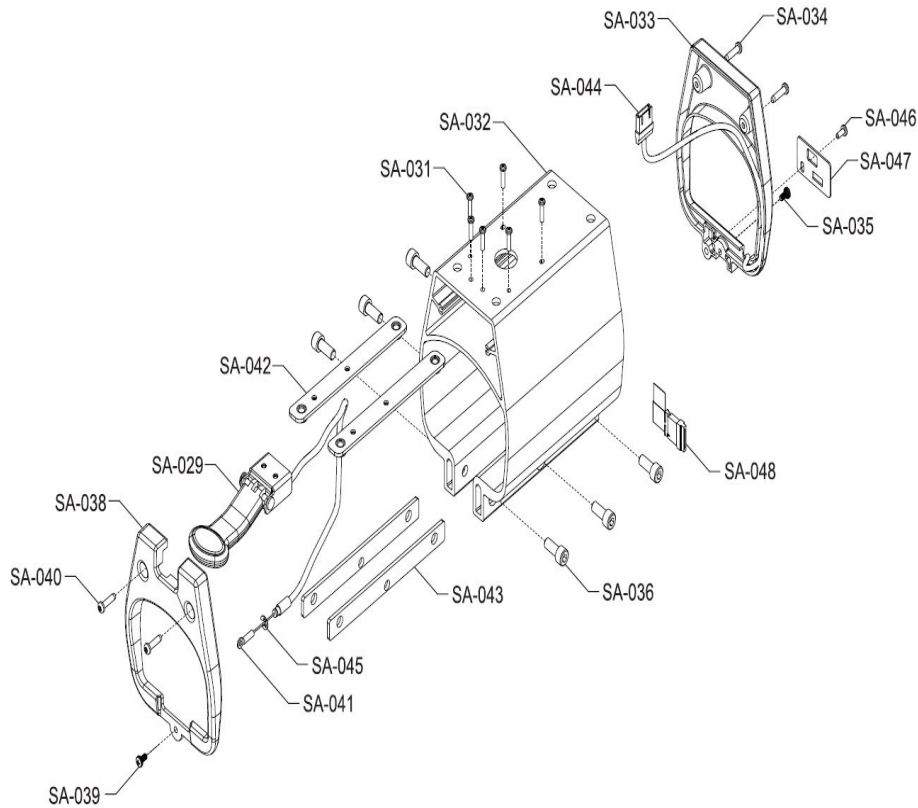
Ref #	Part Number	Qty	Description
LF-001	0K66-01041-0700	2	SHROUD: REAR STABILIZER
LF-002	0017-00101-1881	3	Hardware: Screw 20 MM
LF-003	0017-00104-0479	3	Hardware: Flat Washer 25.4MM OD
LF-004	AK66-00016-2400	1	FRONT STABILIZER: PAINTED; CHGR
LF-005	0K66-01042-0700	2	END CAP: FRONT STABILIZER; BLK
LF-006	0K66-01039-0000	2	Wheel
LF-007	0K66-01040-0000	2	Wheel Shaft

## Miscellaneous Part Numbers

---

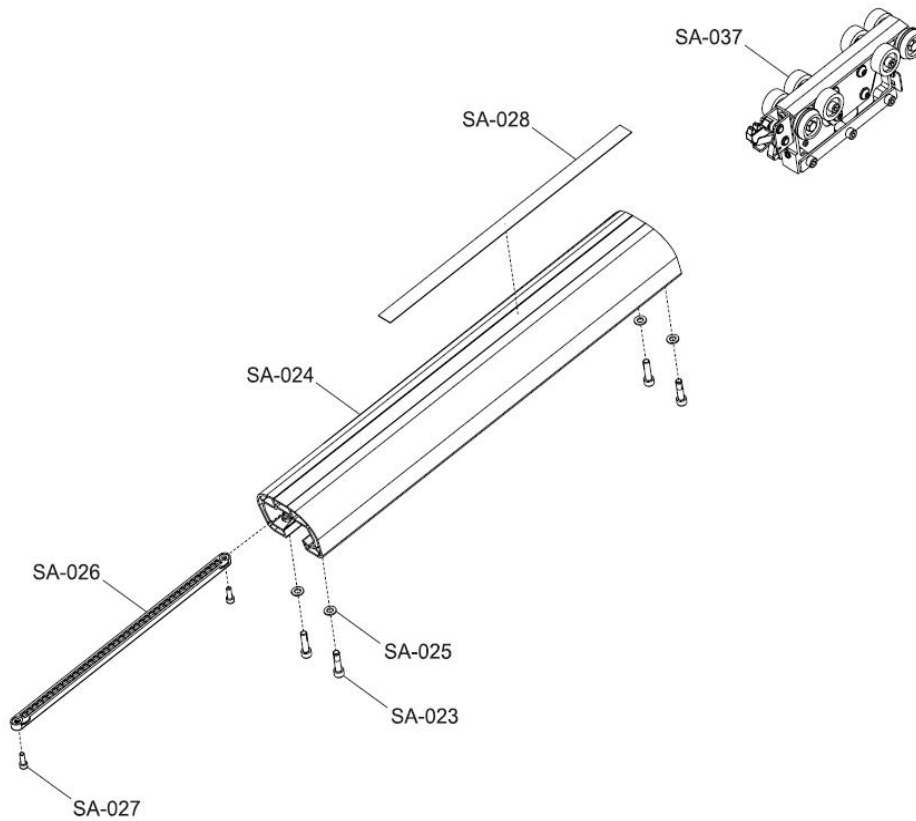
Ref #	Part Number	Qty	Description
MISC-002	0017-00003-1091	1	POWER SUPPLY: 24VDC, 5A
MISC-003	0017-00003-0691	1	Line Cord Cont 10A 250 V
MISC-003	0017-00003-0704	1	Line Cord 10A 125 V
MISC-003	0017-00003-1053	1	LINE-CORD: BRAZIL, IEC-C13
MISC-003	0017-00003-0889	1	Line Cord Cont U.K. 10A
MISC-003	0017-00003-0918	1	Line Cord - Australia
MISC-007	AK66-00161-2400	1	BRKT ASSY: POWER/COAX INPUT; CHGR
MISC-008	0K66-01063-0202	1	BRACKET: POWER/COAX, SHDW
MISC-009	0017-00021-2846	1	F-Type Panel Connector
MISC-010	0017-00021-3195	1	COUPLER: CAT5E, SHIELDED, RJ45
MISC-011	0K69-01255-2400	1	POWER BRICK CLIP; CHGR
MISC-012	0017-00008-0223	1	WHITE BASE COAT FOR PEARLESCENT WHITE AEROSOL
MISC-013	0017-00008-0225	1	WHITE BASE COAT FOR PEARLESCENT WHITE TOUCH UP
MISC-014	0017-00008-0224	1	PEARLESCENT TOP COAT FOR PEARLESCENT WHITE AEROSOL
MISC-015	0017-00008-0226	1	PEARLESCENT TOP COAT FOR PEARLESCENT WHITE TOUCH UP
MISC-020	0017-00008-0231	1	CHARCOAL GRAY AEROSOL
MISC-021	0017-00008-0232	1	CHARCOAL GRAY TOUCH UP

## Seat Assembly - Carriage Assembly



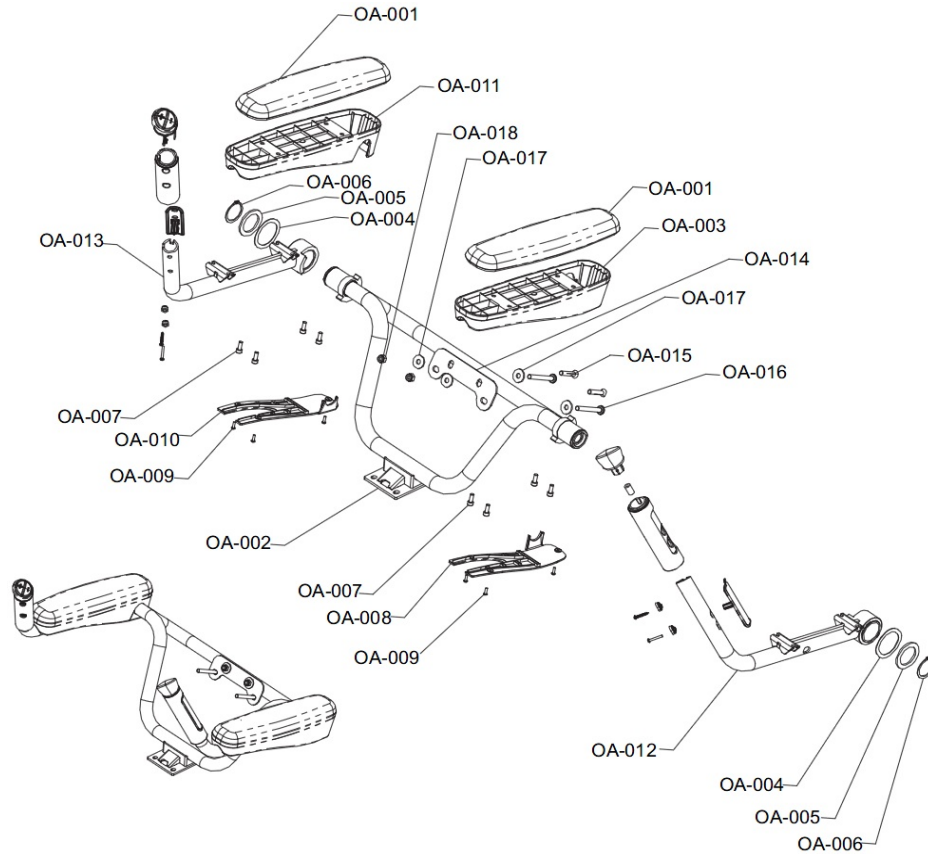
Ref #	Part Number	Qty	Description
SA-029	AK66-00027-0000	1	Handle Assembly
SA-031	0017-00101-1874	6	Hardware: Handle Mounting Screw 16 MM
SA-032	0K66-01028-2400	1	EXTRUSION: SEAT; CARRIAGE; RECUMBENT; CHGR
SA-033	AK66-00087-2400	1	ASSY: COVER; REAR; CARRIAGE; CHGR
SA-034,SA-040	0017-00101-2009	4	Hardware: Mounting Screw 0.75"
SA-035,SA-039	0017-00101-0233	2	Rear Cover Mounting Screw
SA-036	0017-00101-1881	6	Hardware: Screw 20 MM
SA-037	AK66-00176-2100	1	ROLLER ASSY: RECUMBENT; PLWT
SA-038	0K66-01034-2400	1	COVER: FRONT; CARRIAGE; CHGR
SA-042	AK66-00121-0000	2	PLATE ASSY: CARRIAGE NUT
SA-043	0K66-01187-0000	2	PLATE:SEAT CARRIAGE; WASHER
SA-044	AK66-00111-0000	1	Carriage Cable: Recumbent
SA-045	0017-00100-0250	1	E Ring
SA-046	0017-00101-1878	1	M 4X0.70-6g6gX 10 ISO PHL PAN MS ST ZN B
SA-047	0K66-01214-0000	1	FLAT CABLE RETAINER; PURCH
SA-048	AK66-00103-0001	1	Cable Assembly: Lifepulse, Flatflex, Black

## Seat Assembly - Extrusion Assembly



Ref #	Part Number	Qty	Description
SA-023	0017-00101-1881	1	Hardware: Screw 20 MM
SA-024	AK66-00031-2100	1	EXTRUSION ASSY: RECUMBENT; PLWT
SA-025	0017-00104-0469	4	Hardware: Flat Washer 16MM OD
SA-026	0K66-01023-0000	1	Accessory: Rack
SA-027	0017-00101-1891	2	Hardware: Mounting Screw 16MM
SA-028	0K66-01190-0000	1	Decal: Seat Position; IFI; Recumbent

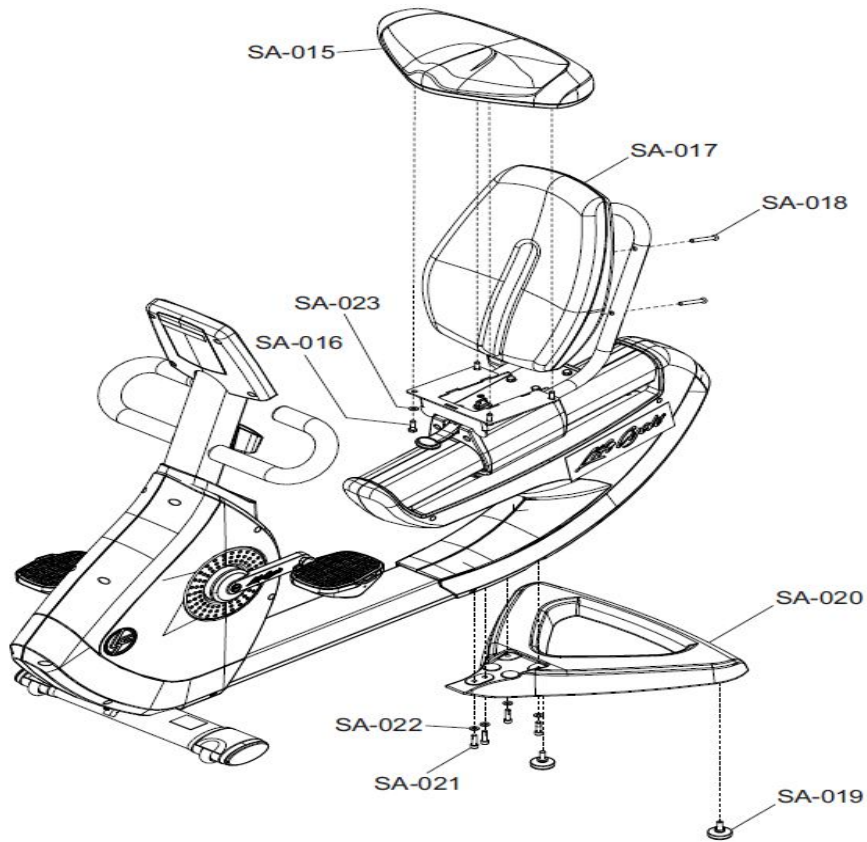
## Seat Assembly - Optional Arm Rest



Ref #	Part Number	Qty	Description
OA-001	AK66-00084-0700	2	FOAM: OVERMOLDED; ARMREST; BLK
OA-002	AK66-00163-2400	1	WELDMENT: ARMREST SUPPORT; CHGR
OA-003	0K66-01156-2400	1	SHROUD: ARMREST; LEFT; CHGR
OA-004	0K66-01228-0000	1	Wave Washer Steel 1.872 ID
OA-005	0017-00104-0522	2	WSH: 1.50-2.125-.125 FL-D ST ZS
OA-006	0017-00100-0264	2	RNG: BRE 1.50 5100-150 ST ZD B
OA-007	0017-00101-1891	8	Hardware: Mounting Screw 16MM
OA-008	0K66-01161-2400	1	SHROUD: BOTTOM; ARMREST; LEFT; CHGR
OA-009	0017-00101-2012	6	Hardware: Shroud Mounting Screw (3 per Shroud) 12MM
OA-010	0K66-01162-2400	1	SHROUD: BOTTOM; ARMREST; RIGHT; CHGR
OA-011	0K66-01165-2400	1	SHROUD: ARMREST; RIGHT; CHGR
OA-012	AK66-00182-2400	1	ARMREST: WELDMENT; LEFT; CHGR
OA-013	AK66-00181-2400	1	ARMREST: WELDMENT; RIGHT; CHGR
OA-014	0K66-01290-0000	1	PLATE: REAR MOUNTING; ARMREST
OA-015	0017-00101-2115	2	M8 X 1.25 - 6G6G X 40: PHL OVL MS ST ZB
OA-016	0017-00101-2116	2	M8 X 1.25 - 6G6G X 65: PHL PAN L MS ST ZB
OA-017	0017-00104-0479	4	Hardware: Flat Washer 25.4MM OD
OA-018	0017-00103-0394	2	NUT: VMI NUT M 8X1.25-6H6H DIN L LOCKNUT ST ZB
OA-019	AK66-00179-0000	1	CABLE ASSY: LIFE PULSE, RECUMBENT ARMREST, RIGHT TUBE
OA-020	AK66-00180-0000	1	CABLE ASSY: LIFE PULSE, RECUMBENT ARMREST/SWITCH, RIGHT

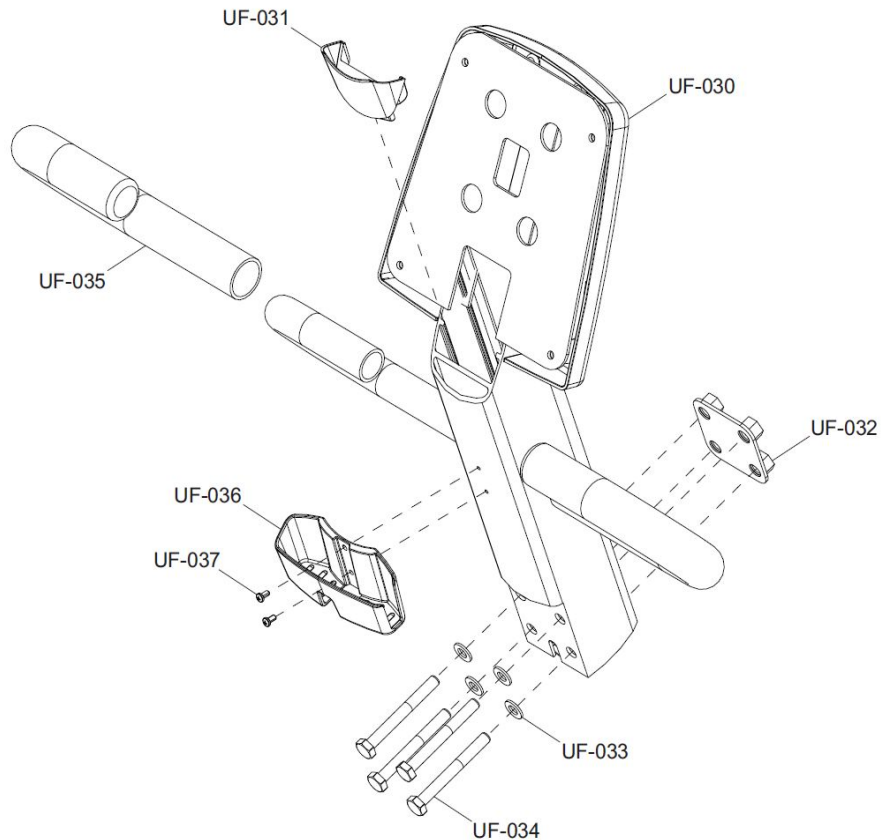
<b>Ref #</b>	<b>Part Number</b>	<b>Qty</b>	<b>Description</b>
OA-021	AK66-00101-0000	1	Cable: Handlebar; Recumbent

## Seat Assembly - Seat Pad and Back Pad



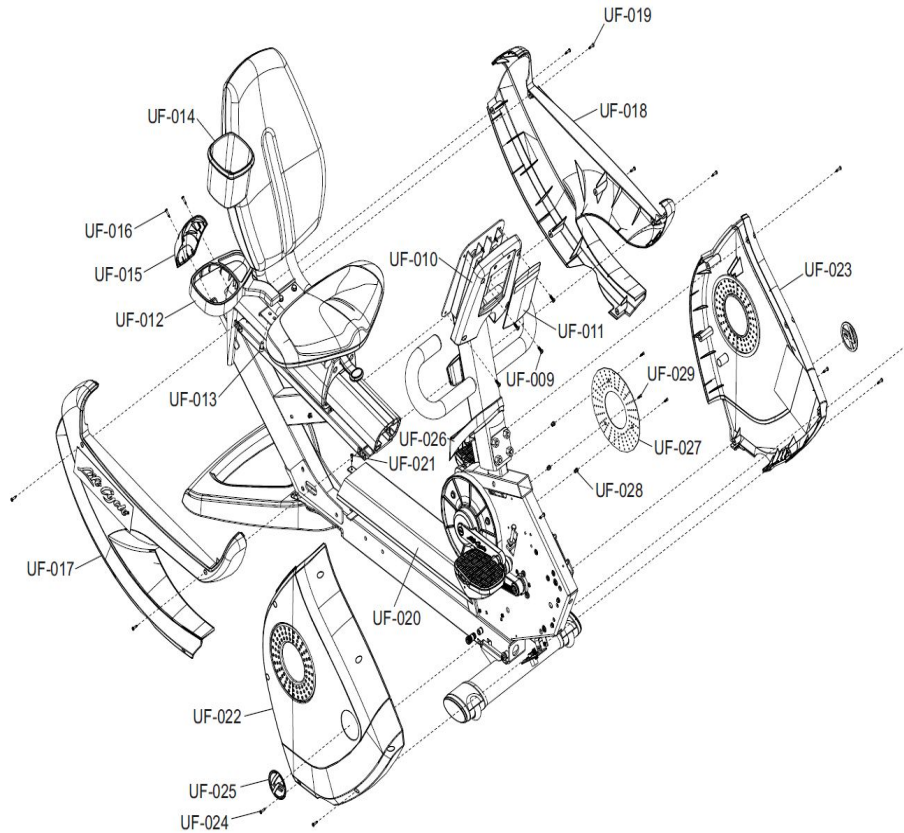
Ref #	Part Number	Qty	Description
SA-015	AK66-00052-2400	1	SEAT: RECUMBENT; CHGR
SA-016	0017-00101-1931	4	Hardware: Front Stabilizer Mtg Bolts 25MM
SA-017	AK66-00072-2400	1	SEAT: BACK; RECUMBENT; CHGR
SA-018	0017-00101-2018	4	Hardware: Mounting Screw 60MM
SA-019	AK62-00124-0000	2	Leg Leveler
SA-020	0K67-01124-2400	1	STABILIZER: BIKE; REAR; CHGR
SA-022	0017-00104-0469	4	Hardware: Flat Washer 16MM OD
SA-023	0017-00104-0520	4	WSH: M8.4 X 16.0 X 1.6 DIN FLAT ST ZS
SA-023	0017-00101-1881	1	Hardware: Screw 20 MM

## Upper Frame - Monocolumn Assembly



Ref #	Part Number	Qty	Description
UF-030	AK66-00156-2100	1	MONOCOLUMN ASSY: RECUMBENT; UNIPLATE; PLWT
UF-031	0K66-01099-2400	1	COVER: MONOCOLUMN; RECUMBENT; CHGR
UF-032	AK66-00158-0000	1	WELD ASSY: NUTPLATE; MONOCOLUMN, UNIPLATE
UF-033	0017-00104-0470	4	Hardware: Washer 20 MM OD
UF-034	0017-00101-2035	4	Hardware: Mounting Screw
UF-035	0K66-01072-0700	2	GRIP: DIPPED; BLACK
UF-036	0K66-01112-2400	1	BRKT: IPOD; RECUMBENT; CHGR
UF-037	0017-00101-1732	2	Hardware: I-pod Bracket Mounting Screw 0.375"

## Upper Frame - Shrouds



Ref #	Part Number	Qty	Description
UF-009	0017-00101-1940	4	Hardware: Screw 14MM
UF-010	0K66-01100-2400	1	SHROUD: CONSOLE BACK; RECUMBENT; CHGR
UF-011	AK92-00059-2400	1	ASSEMBLY: MIDDLE SHROUD; CONSOLE; CHGR
UF-012	AK66-00055-2400	1	CUPHOLDER: CHGR
UF-013	0017-00101-2030	2	Hardware: Mounting Screw 16MM
UF-014	0K67-01055-2400	1	CUP: ACCESORY; CHGR
UF-015	0K66-01055-2400	1	SHROUD: RECUMBENT; REAR END CAP; CHGR
UF-016,UF-019,UF-021,UF-024	0017-00101-1796	16	Hardware: Mounting Screw 19 MM
UF-017	AK66-00044-2404	1	SHROUD/DECAL: REAR; LIFECYCLE; RIGHT; CHGR
UF-018	AK66-00045-2404	1	SHROUD/DECAL: REAR; LIFECYCLE; LEFT; CHGR
UF-020	0K66-01059-2400	1	SHROUD: MIDDLE; RECUMBENT; CHGR
UF-022	AK66-00042-2404	1	SHROUD/DECAL: PCSR; FRONT; BUG; RIGHT; CHGR
UF-023	AK66-00043-2404	1	SHROUD/DECAL: PCSR; FRONT; BUG; LEFT; CHGR
UF-025	0K65-01264-0000	2	LF Bug Decal
UF-026	0K66-01057-0700	1	MEDIA HOLDER; RECUMBENT; BLACK
UF-027	0K66-01267-0000	1	SHIELD: SHROUD; GBC
UF-028	0017-00042-1134	3	Grommet
UF-029	0017-00101-2103	3	SCR: #6 X 5/8 FLT PHL AB ST BLK

