

PCSR STD MTBK Recumbent Bike Base

PCSR-ALLXX-2307

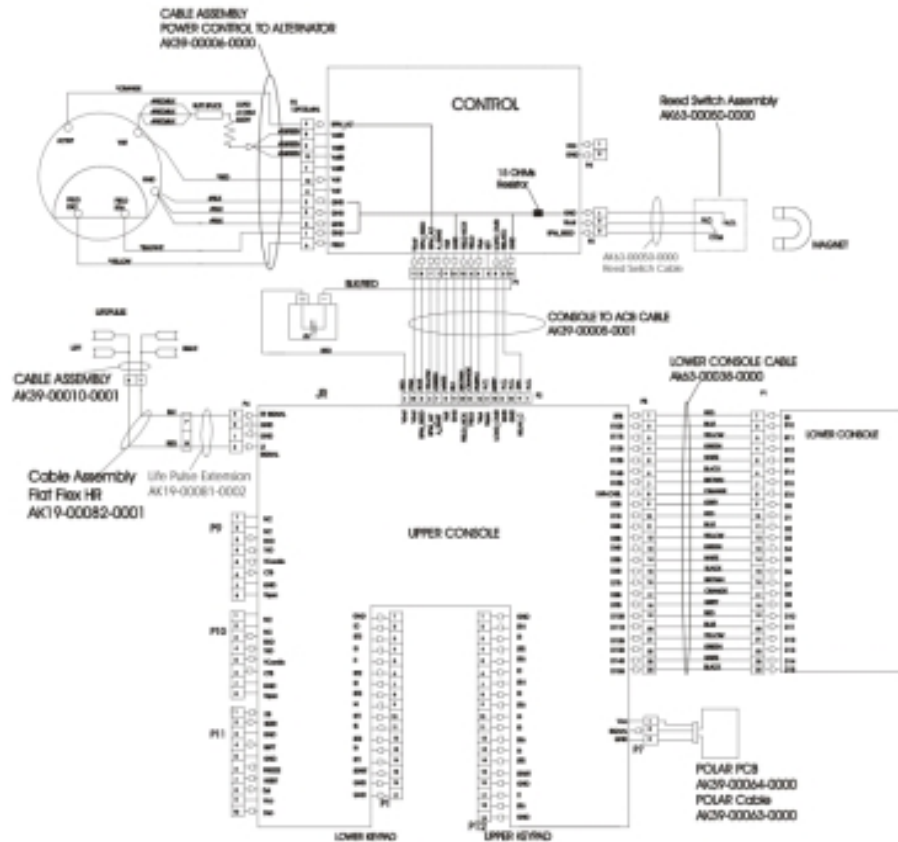
Parts Manual

1/5/2019 15:40:02 PM

Table of Contents

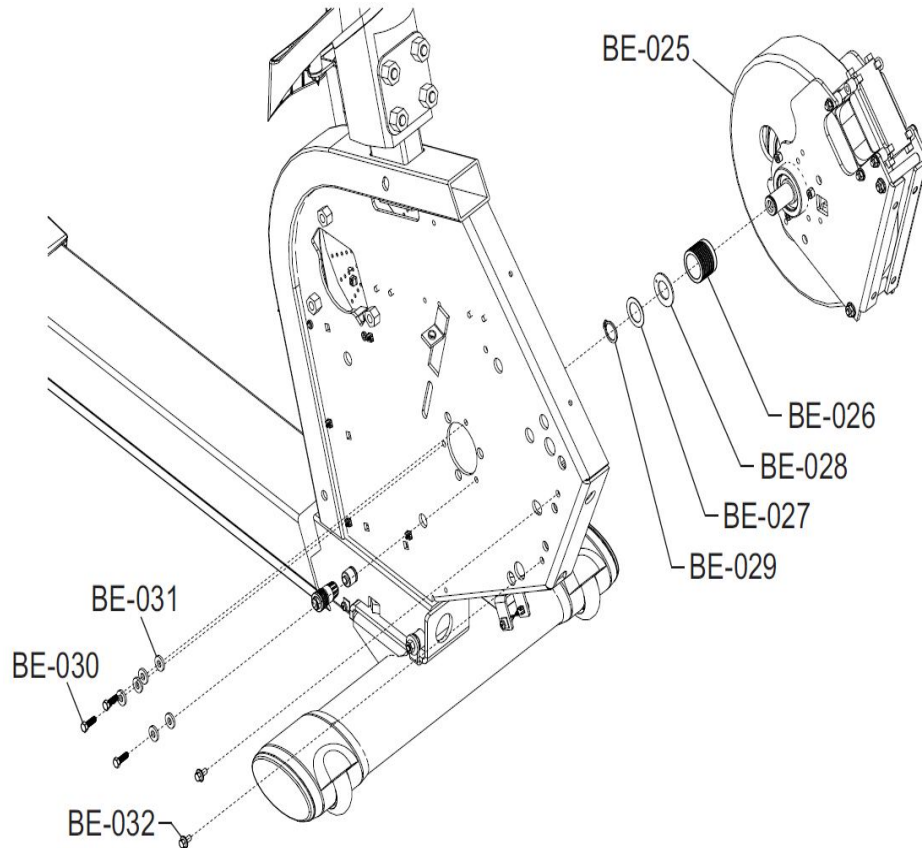
| | |
|---|--------------------|
| Base Frame Electronics - Cables..... | 3 |
| Base Frame Electronics - Generator Assembly..... | 4 |
| Base Frame Electronics - GBC Assembly..... | 5 |
| Drive System - Idler Assembly..... | 6 |
| Drive System - Pedals and Cranks..... | 7 |
| Drive System - Pully and Belt..... | 8 |
| Heart Rate System - Seat Handle Components..... | 9 |
| Lower Frame - Front Stabilizer, Leg Leveler and Components..... | 10 |
| Miscellaneous Part Numbers..... | 11 |
| Seat Assembly - Carriage Assembly..... | 12 |
| Seat Assembly - Extrusion Assembly..... | 13 |
| Seat Assembly - Optional Arm Rest..... | 14 |
| Seat Assembly - Seat Pad and Back Pad..... | 16 |
| Upper Frame - Monocolumn Assembly..... | 17 |
| Upper Frame - Shrouds..... | 18 |

Base Frame Electronics - Cables



| Ref # | Part Number | Qty | Description |
|--------|-----------------|-----|--|
| BE-011 | AK92-00049-0001 | 1 | CABLE ASSY, EXTENSION TO CONSOLE (RECUMBENT) |
| BE-012 | AK65-00103-0002 | 1 | CBL ASSY: GROUND, ESD |
| BE-013 | AK66-00101-0000 | 1 | Cable: Handlebar; Recumbent |
| BE-014 | AK66-00102-0000 | 1 | Cable: Carriage Recumbent |
| BE-015 | AK66-00111-0000 | 1 | Carriage Cable: Recumbent |
| BE-016 | AK66-00103-0000 | 1 | Flat Flex Cable Seat Adjustment |
| BE-017 | AK66-00104-0000 | 1 | Keypad/LifePulse Cable |
| BE-018 | AK66-00107-0000 | 1 | Generator/Brake Cable |
| BE-019 | 0017-00003-1091 | 1 | POWER SUPPLY: 24VDC, 5A |
| BE-020 | AK92-00069-0000 | 1 | CABLE ASSEMBLY: EXTERNAL POWER; RECUMBENT |
| BE-021 | AK92-00046-0000 | 1 | PCB TO EXTENSION CABLE (BIKE) |
| BE-022 | AK65-00062-0000 | 1 | Cable: Coax RG6 Base |
| BE-023 | AK70-00092-0000 | 1 | CABLE ASSY: CAT5E, V2, 84 INCH |
| BE-024 | AK66-00161-0000 | 1 | BRKT ASSY: POWER/COAX INPUT |

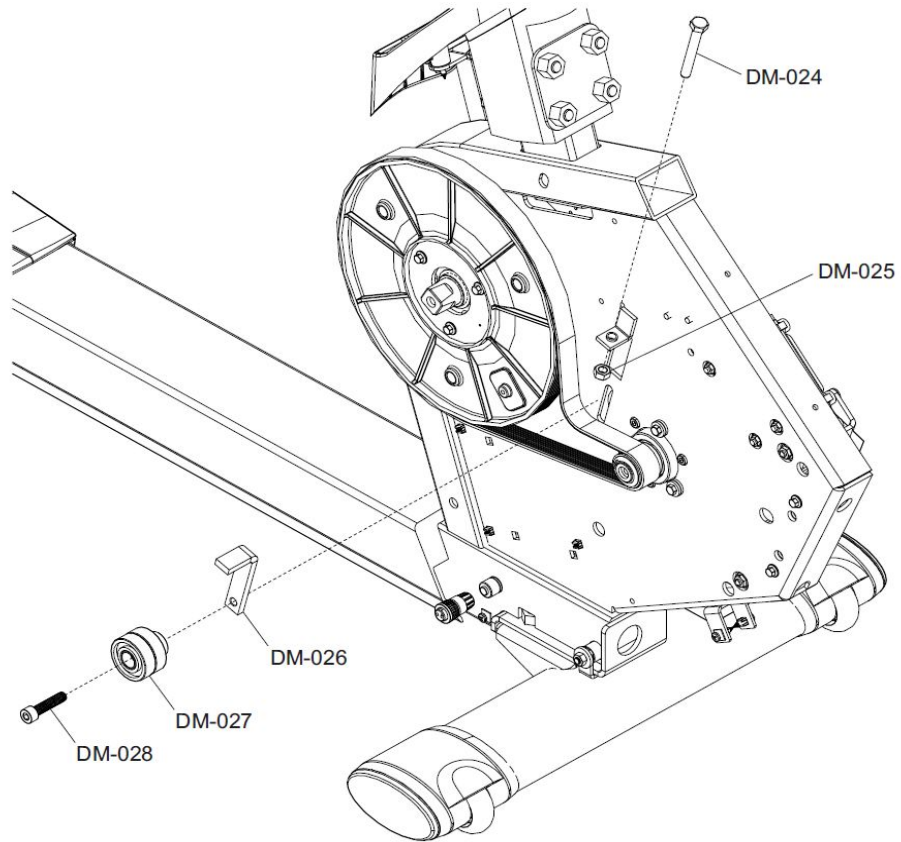
Base Frame Electronics - Generator Assembly



| Ref # | Part Number | Qty | Description |
|--------|-----------------|-----|--|
| BE-025 | AK66-00172-0000 | 1 | ASSY: GENERATOR/PULLEY; UNIPLATE,AP1/AP2, MFG. |
| BE-026 | AK66-00165-0000 | 1 | NC: PULLEY ASSY: W/CLUTCH, UNIPLATE, ISO/DIN |
| BE-027 | 0K66-01237-0000 | 1 | Hardware: Shaft Washer Large |
| BE-028 | 0017-00104-0498 | 1 | Hardware: Shaft Washer Small .734' OD |
| BE-029 | 0017-00100-0257 | 1 | Retaining Ring |
| BE-030 | 0017-00101-1894 | 3 | Hardware: Idler Assembly Mounting Bolt 16MM |
| BE-031 | 0017-00104-0330 | 6 | Hardware: Flat Washers 0.562" OD |
| BE-032 | 0017-00101-2102 | 2 | SCR: M5 X 0.8 6G6G X 10 HEX FLG L CS ST |

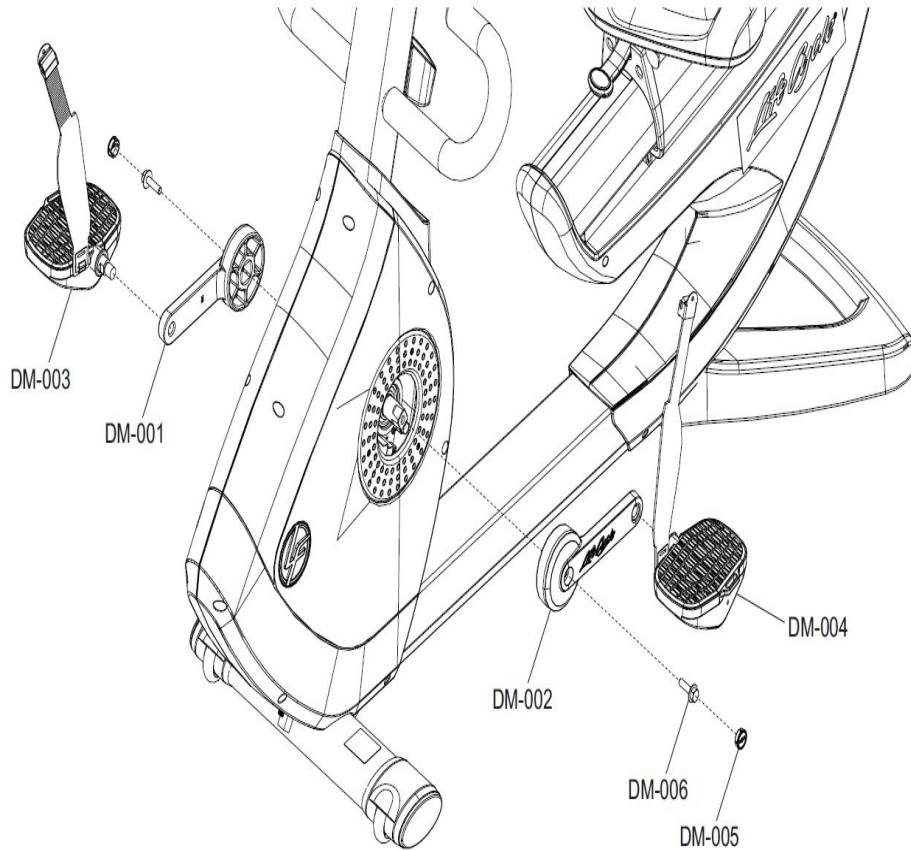
Base Frame Electronics - GBC Assembly

| Ref # | Part Number | Qty | Description |
|--------------|--------------------|------------|---------------------------------------|
| BE-033 | 0017-00101-1838 | 4 | Hardware: Mounting Screw 19 MM |
| BE-034 | A084-92389-0001 | 1 | PROGRAMMED PCB: B084-92389-0001 |
| BE-035 | 0017-00042-1229 | 1 | SPACER: ROUND PLASTIC |
| BE-036 | 0017-00101-1874 | 1 | Hardware: Handle Mounting Screw 16 MM |

Drive System - Idler Assembly

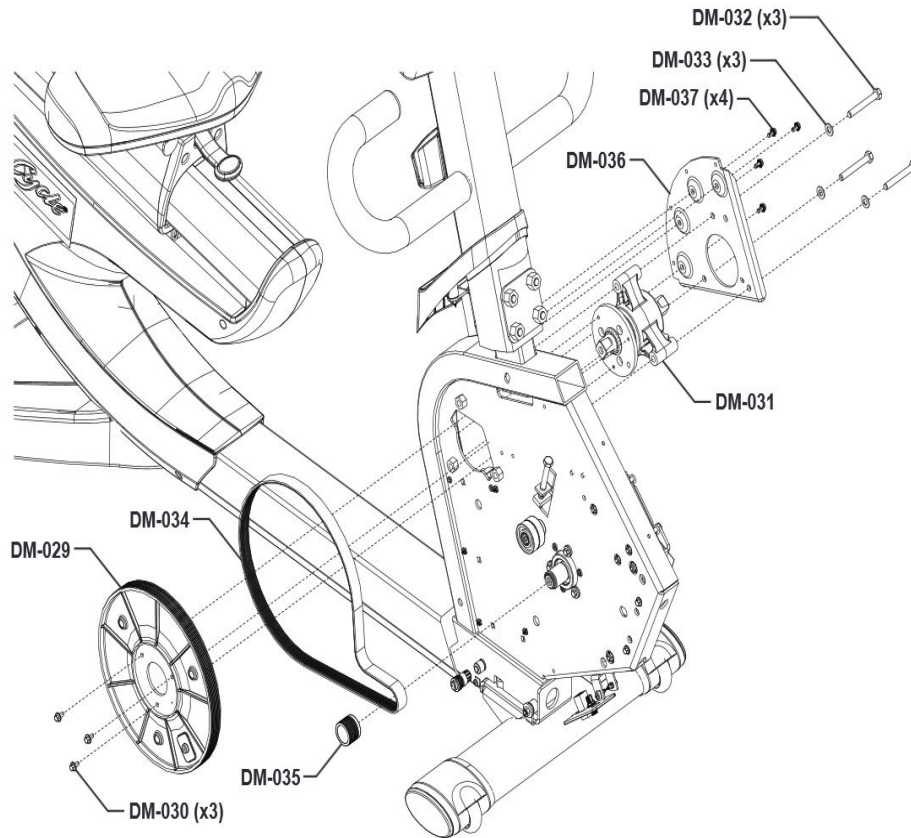
| Ref # | Part Number | Qty | Description |
|--------|-----------------|-----|-----------------------------------|
| DM-024 | 0017-00101-2002 | 1 | Hardware: Tension Bolt 60MM |
| DM-025 | 0017-00103-0328 | 1 | Hardware: Nut 8 MM ID |
| DM-026 | 0K66-01254-0000 | 1 | BRKT: TENSIONER |
| DM-027 | AK66-00173-0000 | 1 | ASSY: IDLER & POST; AP1/AP2, MFG. |
| DM-028 | 0017-00101-1982 | 1 | Hardware: Mounting Bolt 35MM |

Drive System - Pedals and Cranks



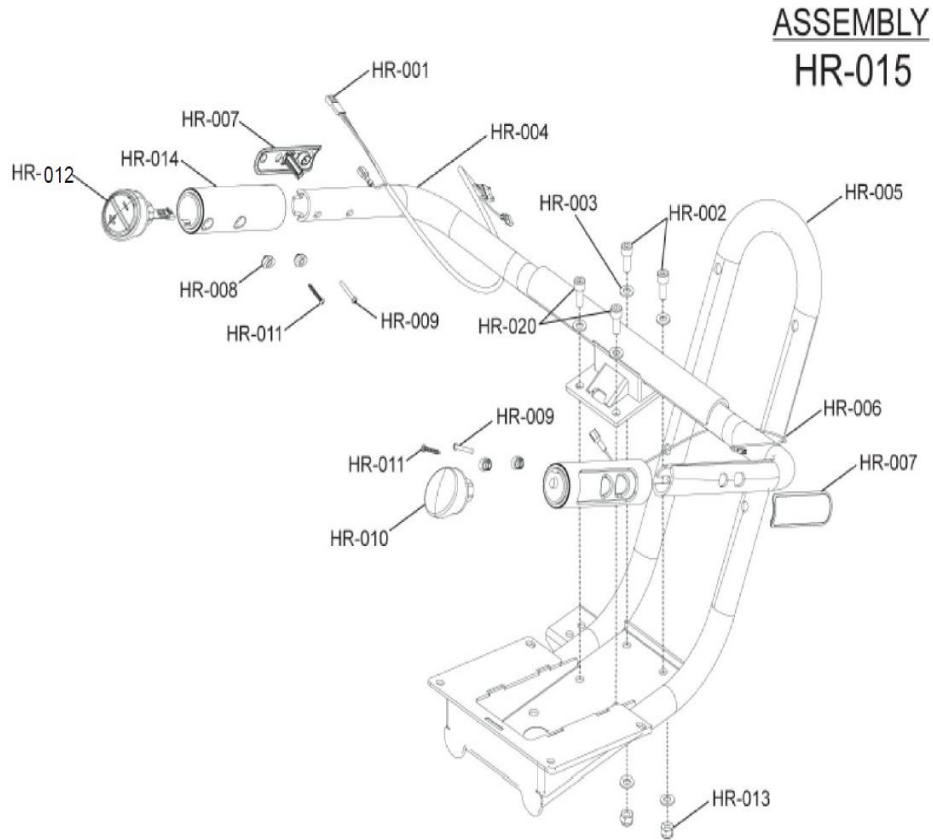
| Ref # | Part Number | Qty | Description |
|--------|-----------------|-----|---|
| DM-001 | 0K76-01054-2101 | 1 | CRANK ARM: RIGHT, PLWT |
| DM-002 | 0K76-01053-2101 | 1 | CRANK ARM: LEFT, PLWT |
| DM-003 | AK66-00047-0701 | 1 | PEDAL ASSY: W/STRAP, STANDARD, RIGHT, BLACK |
| DM-004 | AK66-00048-0701 | 1 | PEDAL ASSY: W/STRAP, STANDARD, LEFT, BLACK |
| DM-005 | 0K66-01121-2400 | 2 | CAP: CRANK, CHARCOAL GRAY |
| DM-006 | 0017-00101-2077 | 2 | Hardware: Screw 30MM |

Drive System - Pulley and Belt



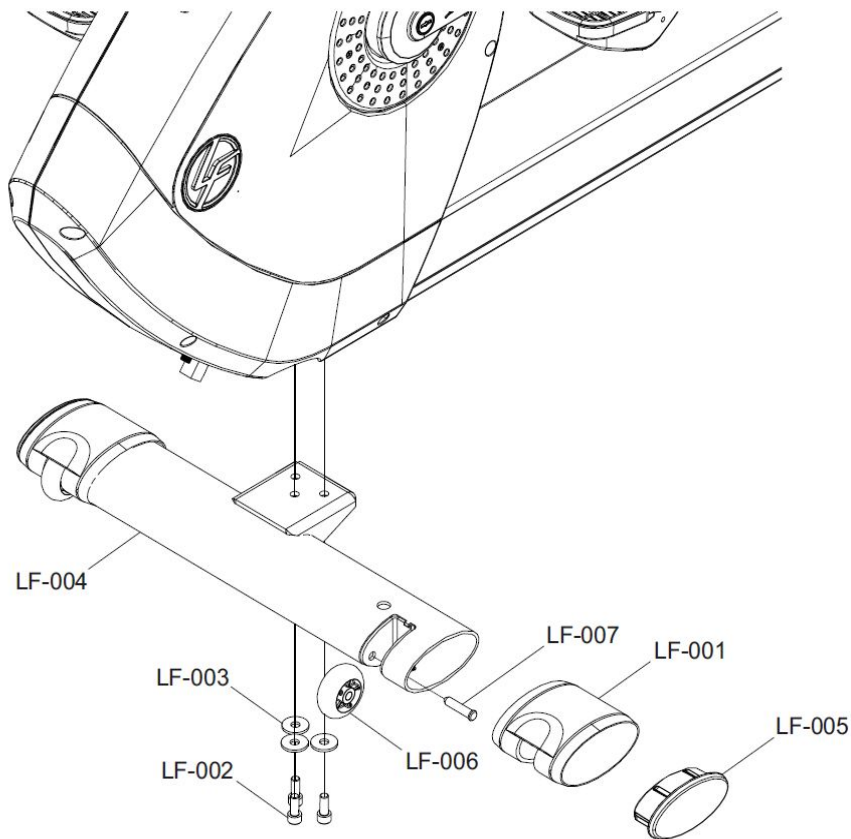
| Ref # | Part Number | Qty | Description |
|--------|-----------------|-----|--|
| DM-029 | 0K76-01068-0000 | 1 | Pulley |
| DM-030 | 0017-00101-2102 | 3 | SCR: M5 X 0.8 6G6G X 10 HEX FLG L CS ST |
| DM-031 | AK66-00151-0000 | 1 | HUB ASSY: CRANKSHAFT, UNIPLATE |
| DM-032 | 0017-00101-2002 | 3 | Hardware: Tension Bolt 60MM |
| DM-033 | 0017-00104-0469 | 3 | Hardware: Flat Washer 16MM OD |
| DM-034 | 0017-00009-1297 | 1 | BELT: POLYV; 390J8 |
| DM-035 | AK66-00165-0000 | 1 | NC: PULLEY ASSY: W/CLUTCH, UNIPLATE, ISO/DIN |
| DM-036 | 0K66-01288-0000 | 1 | PLATE: REINFORCEMENT;UNIPLATE, RECUMBENT |
| DM-037 | 0017-00101-1193 | 4 | Hardware: Screw 0.375" |

Heart Rate System - Seat Handle Components



| Ref # | Part Number | Qty | Description |
|--------|-----------------|-----|---|
| HR-001 | AK66-00102-0000 | 1 | Cable: Carriage Recumbent |
| HR-002 | 0017-00101-1983 | 2 | Hardware: Mounting Bolt 20MM |
| HR-003 | 0017-00104-0520 | 6 | WSH: M8.4 X 16.0 X 1.6 DIN FLAT ST ZS |
| HR-004 | AK66-00167-2400 | 1 | HANDLEBAR ASSY: RECUMBENT |
| HR-005 | AK66-00164-2400 | 1 | SEAT FRAME: CHGR |
| HR-006 | AK66-00101-0000 | 1 | Cable: Handlebar; Recumbent |
| HR-007 | AK63-00014-0002 | 2 | ELECTRODE-INSERT ASSY: RED; PURCH S/C-D |
| HR-008 | 0K66-01141-0001 | 4 | PLUG: INSULATOR, BLACK |
| HR-009 | 0017-00101-1720 | 2 | Hardware: Mounting Screw 1" |
| HR-010 | 0K69-01166-0700 | 1 | ENDCAP: BUTTON DUMMY, MOLDED, BLACK |
| HR-011 | 0017-00101-2032 | 2 | Hardware: Mounting Screw |
| HR-012 | AK69-00100-0700 | 1 | ASSEMBLY: BUTTON, BLACK |
| HR-013 | 0017-00103-0387 | 2 | Hardware: Nut 8 MM ID |
| HR-014 | 0K66-01084-0700 | 2 | GRIP: ARMREST; BLACK |
| HR-020 | 0017-00101-1931 | 2 | Hardware: Front Stabilizer Mtg Bolts 25MM |

Lower Frame - Front Stabilizer, Leg Leveler and Components

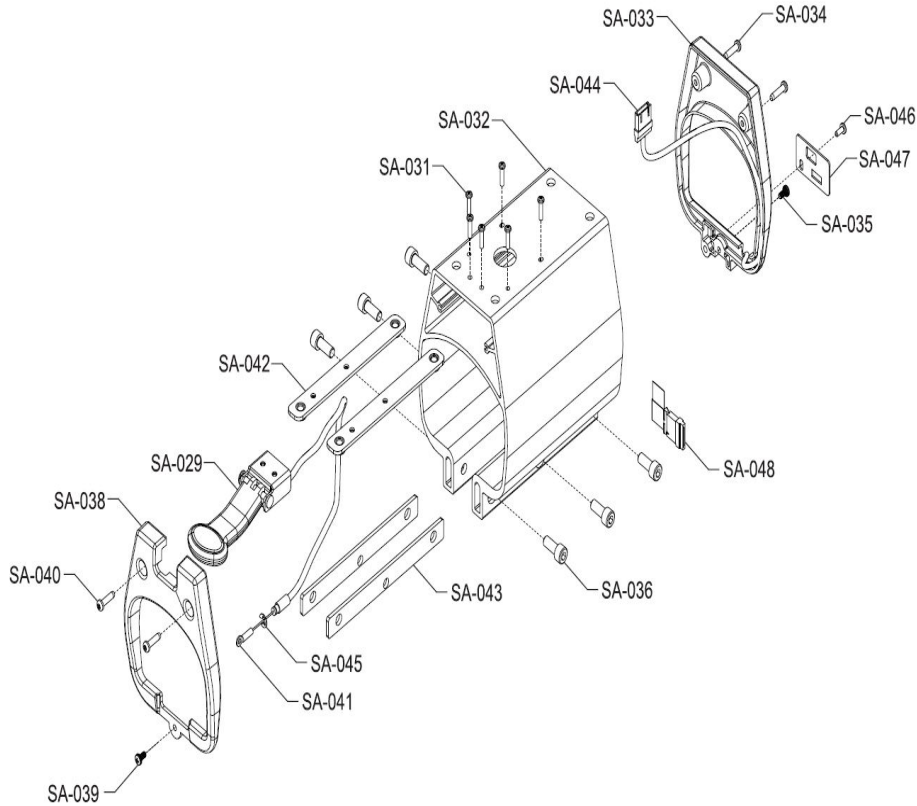


| Ref # | Part Number | Qty | Description |
|--------|-----------------|-----|---------------------------------|
| LF-001 | 0K66-01041-0700 | 2 | SHROUD: REAR STABILIZER |
| LF-002 | 0017-00101-1881 | 3 | Hardware: Screw 20 MM |
| LF-003 | 0017-00104-0479 | 3 | Hardware: Flat Washer 25.4MM OD |
| LF-004 | AK66-00016-2400 | 1 | FRONT STABILIZER: PAINTED; CHGR |
| LF-005 | 0K66-01042-0700 | 2 | END CAP: FRONT STABILIZER; BLK |
| LF-006 | 0K66-01039-0000 | 2 | Wheel |
| LF-007 | 0K66-01040-0000 | 2 | Wheel Shaft |

Miscellaneous Part Numbers

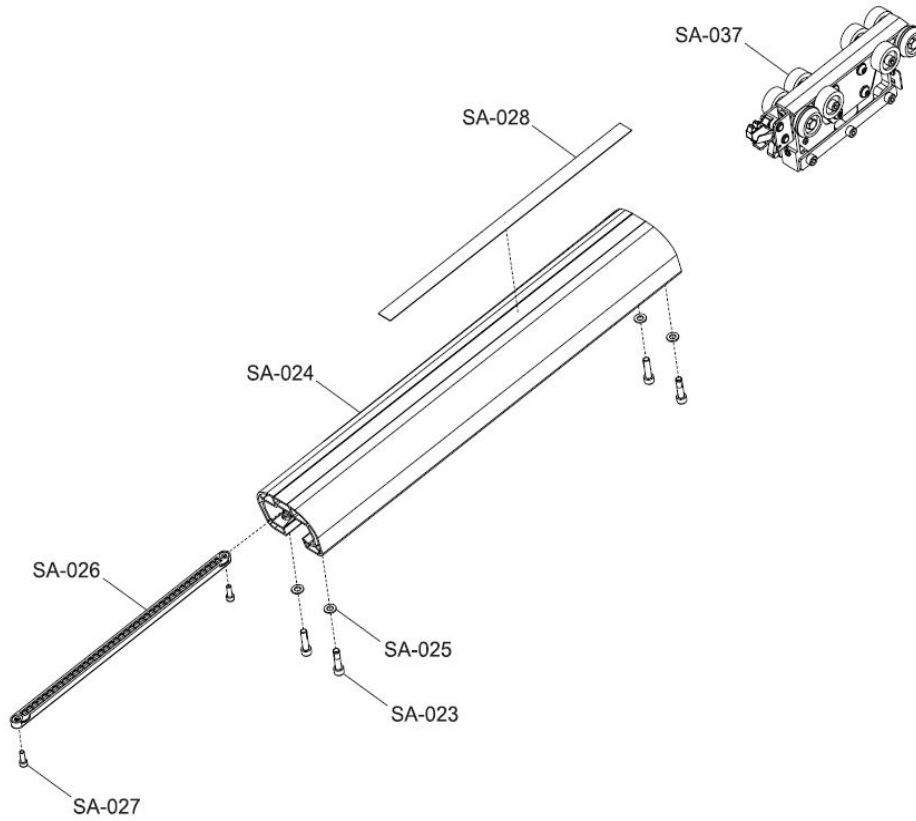
| Ref # | Part Number | Qty | Description |
|----------|-----------------|-----|-----------------------------------|
| MISC-002 | 0017-00003-1091 | 1 | POWER SUPPLY: 24VDC, 5A |
| MISC-003 | 0017-00003-0889 | 1 | Line Cord Cont U.K. 10A |
| MISC-003 | 0017-00003-0918 | 1 | Line Cord - Australia |
| MISC-003 | 0017-00003-0691 | 1 | Line Cord Cont 10A 250 V |
| MISC-003 | 0017-00003-1053 | 1 | LINE-CORD: BRAZIL, IEC-C13 |
| MISC-003 | 0017-00003-0704 | 1 | Line Cord 10A 125 V |
| MISC-007 | AK66-00161-2400 | 1 | BRKT ASSY: POWER/COAX INPUT; CHGR |
| MISC-008 | 0K66-01063-0202 | 1 | BRACKET: POWER/COAX, SHDW |
| MISC-009 | 0017-00021-2846 | 1 | F-Type Panel Connector |
| MISC-010 | 0017-00021-3195 | 1 | COUPLER: CAT5E, SHIELDED, RJ45 |
| MISC-011 | 0K69-01255-2400 | 1 | POWER BRICK CLIP; CHGR |
| MISC-018 | 0017-00008-0229 | 1 | BLACK METALLIC AEROSOL |
| MISC-019 | 0017-00008-0230 | 1 | BLACK METALLIC TOUCH UP |
| MISC-020 | 0017-00008-0231 | 1 | CHARCOAL GRAY AEROSOL |
| MISC-021 | 0017-00008-0232 | 1 | CHARCOAL GRAY TOUCH UP |

Seat Assembly - Carriage Assembly



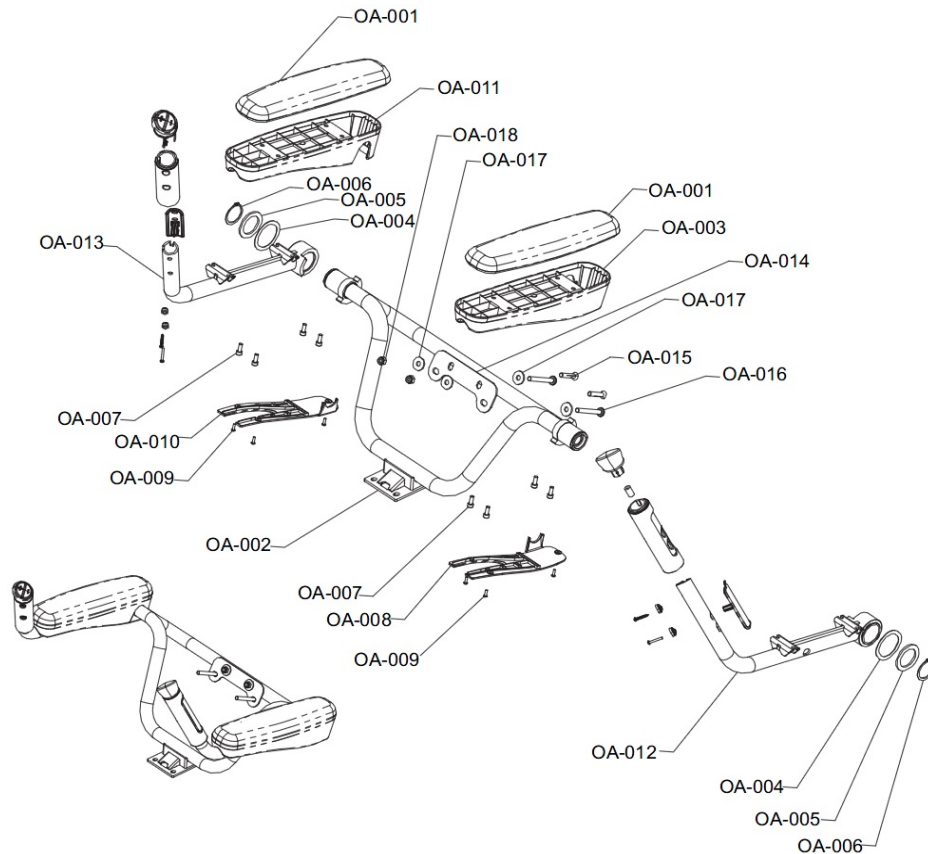
| Ref # | Part Number | Qty | Description |
|---------------|-----------------|-----|--|
| SA-029 | AK66-00027-0000 | 1 | Handle Assembly |
| SA-031 | 0017-00101-1874 | 6 | Hardware: Handle Mounting Screw 16 MM |
| SA-032 | 0K66-01028-2400 | 1 | EXTRUSION: SEAT; CARRIAGE; RECUMBENT; CHGR |
| SA-033 | AK66-00087-2400 | 1 | ASSY: COVER; REAR; CARRIAGE; CHGR |
| SA-034,SA-040 | 0017-00101-2009 | 4 | Hardware: Mounting Screw 0.75" |
| SA-035,SA-039 | 0017-00101-0233 | 2 | Rear Cover Mounting Screw |
| SA-036 | 0017-00101-1881 | 6 | Hardware: Screw 20 MM |
| SA-037 | AK66-00176-2200 | 1 | ROLLER ASSY: RECUMBENT; TITN |
| SA-038 | 0K66-01034-2400 | 1 | COVER: FRONT; CARRIAGE; CHGR |
| SA-042 | AK66-00121-0000 | 2 | PLATE ASSY: CARRIAGE NUT |
| SA-043 | 0K66-01187-0000 | 2 | PLATE:SEAT CARRIAGE; WASHER |
| SA-044 | AK66-00111-0000 | 1 | Carriage Cable: Recumbent |
| SA-045 | 0017-00100-0250 | 1 | E Ring |
| SA-046 | 0017-00101-1878 | 1 | M 4X0.70-6g6gX 10 ISO PHL PAN MS ST ZN B |
| SA-047 | 0K66-01214-0000 | 1 | FLAT CABLE RETAINER; PURCH |
| SA-048 | AK66-00103-0001 | 1 | Cable Assembly: Lifepulse, Flatflex, Black |

Seat Assembly - Extrusion Assembly



| Ref # | Part Number | Qty | Description |
|--------|-----------------|-----|--------------------------------------|
| SA-023 | 0017-00101-1881 | 1 | Hardware: Screw 20 MM |
| SA-024 | AK66-00031-2300 | 1 | EXTRUSION ASSY: RECUMBENT; MTBK |
| SA-025 | 0017-00104-0469 | 4 | Hardware: Flat Washer 16MM OD |
| SA-026 | 0K66-01023-0000 | 1 | Accessory: Rack |
| SA-027 | 0017-00101-1891 | 2 | Hardware: Mounting Screw 16MM |
| SA-028 | 0K66-01190-0000 | 1 | Decal: Seat Position; IFI; Recumbent |

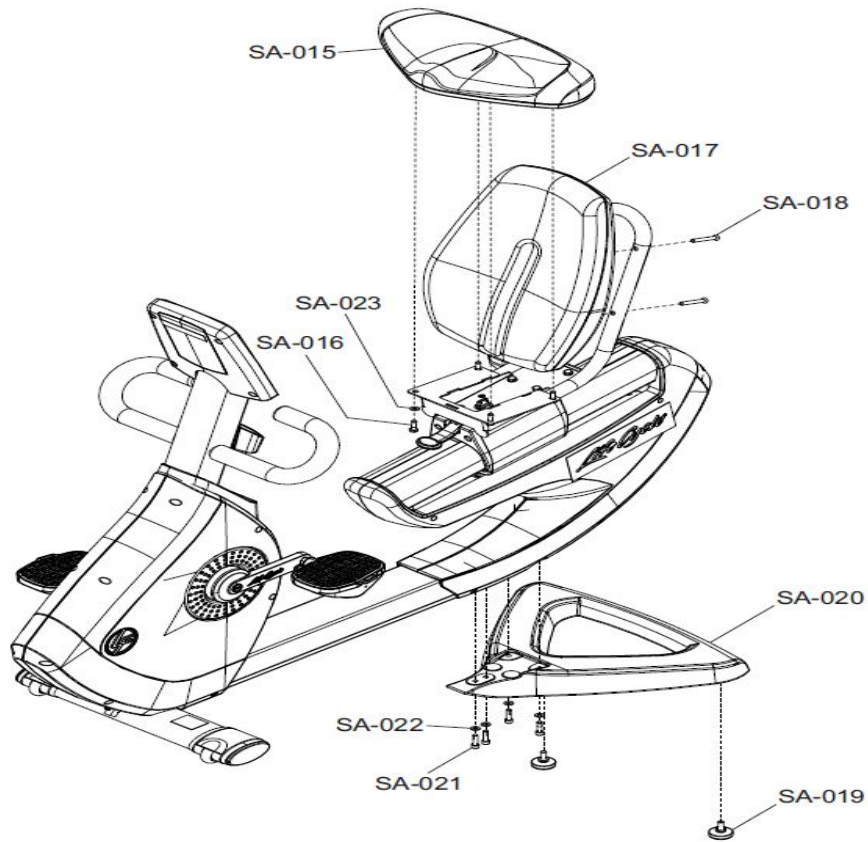
Seat Assembly - Optional Arm Rest



| Ref # | Part Number | Qty | Description |
|--------|-----------------|-----|---|
| OA-001 | AK66-00084-0700 | 2 | FOAM: OVERMOLDED; ARMREST; BLK |
| OA-002 | AK66-00163-2400 | 1 | WELDMENT: ARMREST SUPPORT; CHGR |
| OA-003 | 0K66-01156-2400 | 1 | SHROUD: ARMREST; LEFT; CHGR |
| OA-004 | 0K66-01228-0000 | 1 | Wave Washer Steel 1.872 ID |
| OA-005 | 0017-00104-0522 | 2 | WSH: 1.50-2.125-.125 FL-D ST ZS |
| OA-006 | 0017-00100-0264 | 2 | RNG: BRE 1.50 5100-150 ST ZD B |
| OA-007 | 0017-00101-1891 | 8 | Hardware: Mounting Screw 16MM |
| OA-008 | 0K66-01161-2400 | 1 | SHROUD: BOTTOM; ARMREST; LEFT; CHGR |
| OA-009 | 0017-00101-2012 | 6 | Hardware: Shroud Mounting Screw (3 per Shroud) 12MM |
| OA-010 | 0K66-01162-2400 | 1 | SHROUD: BOTTOM; ARMREST; RIGHT; CHGR |
| OA-011 | 0K66-01165-2400 | 1 | SHROUD: ARMREST; RIGHT; CHGR |
| OA-012 | AK66-00182-2400 | 1 | ARMREST: WELDMENT; LEFT; CHGR |
| OA-013 | AK66-00181-2400 | 1 | ARMREST: WELDMENT; RIGHT; CHGR |
| OA-014 | 0K66-01290-0000 | 1 | PLATE: REAR MOUNTING; ARMREST |
| OA-015 | 0017-00101-2115 | 2 | M8 X 1.25 - 6G6G X 40: PHL OVL MS ST ZB |
| OA-016 | 0017-00101-2116 | 2 | M8 X 1.25 - 6G6G X 65: PHL PAN L MS ST ZB |
| OA-017 | 0017-00104-0479 | 4 | Hardware: Flat Washer 25.4MM OD |
| OA-018 | 0017-00103-0394 | 2 | NUT: VMI NUT M 8X1.25-6H6H DIN L LOCKNUT ST ZB |
| OA-019 | AK66-00179-0000 | 1 | CABLE ASSY: LIFE PULSE, RECUMBENT ARMREST, RIGHT TUBE |
| OA-020 | AK66-00180-0000 | 1 | CABLE ASSY: LIFE PULSE, RECUMBENT ARMREST/SWITCH, RIGHT |

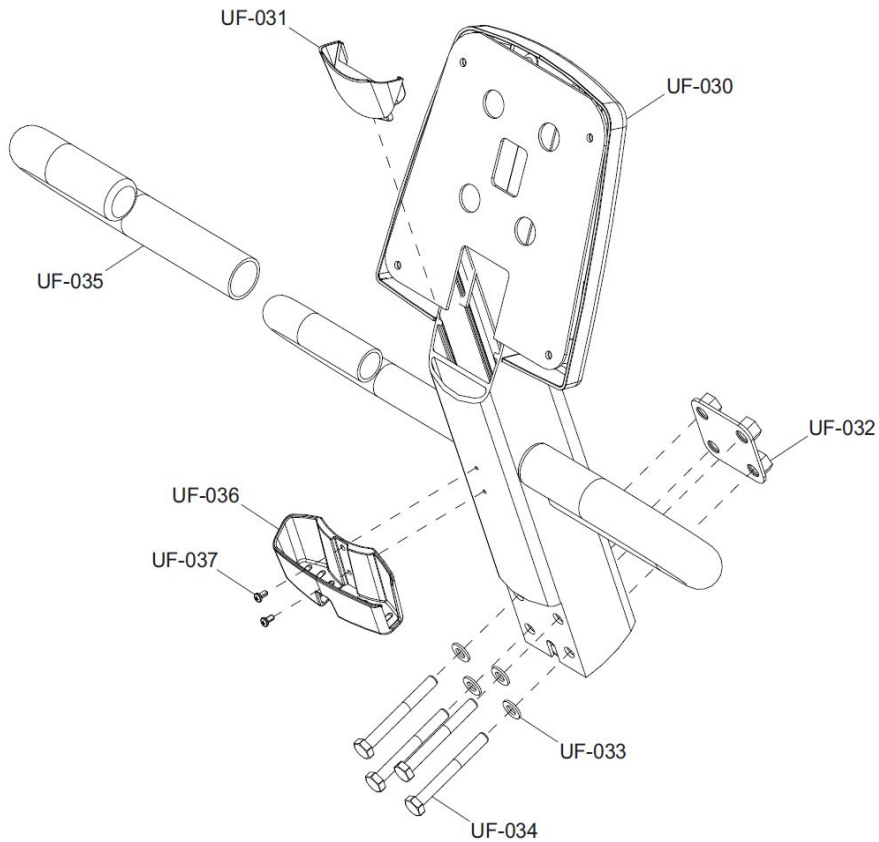
| Ref # | Part Number | Qty | Description |
|--------------|--------------------|------------|-----------------------------|
| OA-021 | AK66-00101-0000 | 1 | Cable: Handlebar; Recumbent |

Seat Assembly - Seat Pad and Back Pad



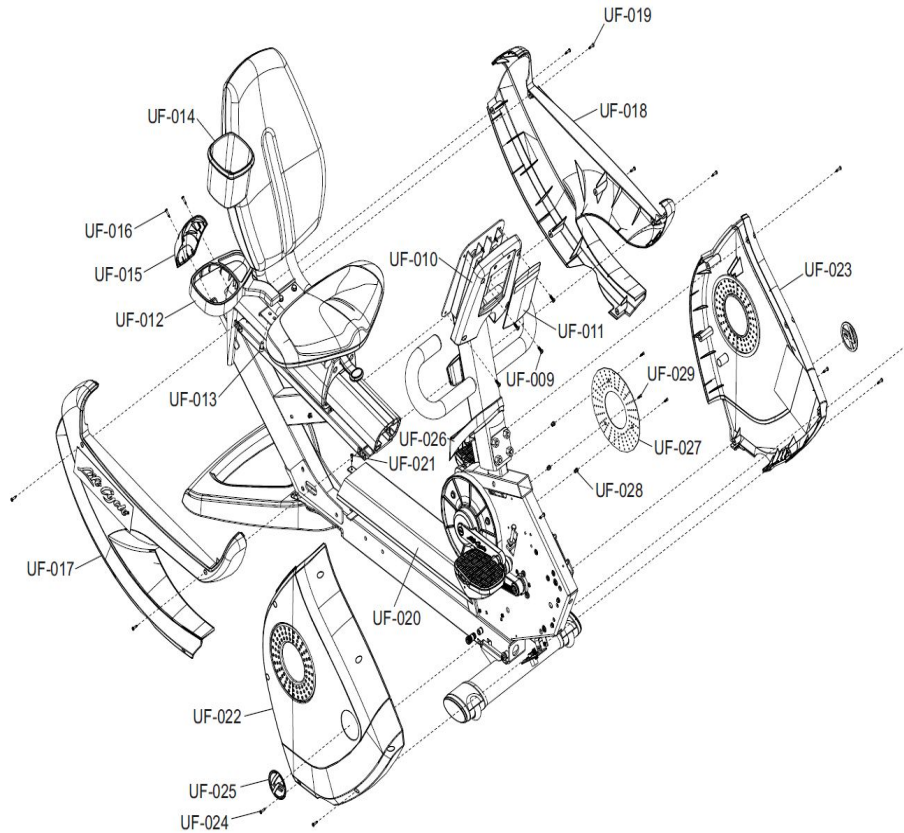
| Ref # | Part Number | Qty | Description |
|--------|-----------------|-----|---|
| SA-015 | AK66-00052-2400 | 1 | SEAT: RECUMBENT; CHGR |
| SA-016 | 0017-00101-1931 | 4 | Hardware: Front Stabilizer Mtg Bolts 25MM |
| SA-017 | AK66-00072-2400 | 1 | SEAT: BACK; RECUMBENT; CHGR |
| SA-018 | 0017-00101-2018 | 4 | Hardware: Mounting Screw 60MM |
| SA-019 | AK62-00124-0000 | 2 | Leg Leveler |
| SA-020 | 0K67-01124-2400 | 1 | STABILIZER: BIKE; REAR; CHGR |
| SA-022 | 0017-00104-0469 | 4 | Hardware: Flat Washer 16MM OD |
| SA-023 | 0017-00104-0520 | 4 | WSH: M8.4 X 16.0 X 1.6 DIN FLAT ST ZS |
| SA-023 | 0017-00101-1881 | 1 | Hardware: Screw 20 MM |

Upper Frame - Monocolumn Assembly



| Ref # | Part Number | Qty | Description |
|--------|-----------------|-----|---|
| UF-030 | AK66-00156-2300 | 1 | MONOCOLUMN ASSY: RECUMBENT; UNIPLATE; MTBK |
| UF-031 | 0K66-01099-2400 | 1 | COVER: MONOCOLUMN; RECUMBENT; CHGR |
| UF-032 | AK66-00158-0000 | 1 | WELD ASSY: NUTPLATE; MONOCOLUMN, UNIPLATE |
| UF-033 | 0017-00104-0470 | 4 | Hardware: Washer 20 MM OD |
| UF-034 | 0017-00101-2035 | 4 | Hardware: Mounting Screw |
| UF-035 | 0K66-01072-0700 | 2 | GRIP: DIPPED; BLACK |
| UF-036 | 0K66-01112-2400 | 1 | BRKT: IPOD; RECUMBENT; CHGR |
| UF-037 | 0017-00101-1732 | 2 | Hardware: I-pod Bracket Mounting Screw 0.375" |

Upper Frame - Shrouds



| Ref # | Part Number | Qty | Description |
|-----------------------------|-----------------|-----|---|
| UF-009 | 0017-00101-1940 | 4 | Hardware: Screw 14MM |
| UF-010 | 0K66-01100-2400 | 1 | SHROUD: CONSOLE BACK; RECUMBENT; CHGR |
| UF-011 | AK92-00059-2400 | 1 | ASSEMBLY: MIDDLE SHROUD; CONSOLE; CHGR |
| UF-012 | AK66-00055-2400 | 1 | CUPHOLDER: CHGR |
| UF-013 | 0017-00101-2030 | 2 | Hardware: Mounting Screw 16MM |
| UF-014 | 0K67-01055-2400 | 1 | CUP: ACCESORY; CHGR |
| UF-015 | 0K66-01055-2400 | 1 | SHROUD: RECUMBENT; REAR END CAP; CHGR |
| UF-016,UF-019,UF-021,UF-024 | 0017-00101-1796 | 16 | Hardware: Mounting Screw 19 MM |
| UF-017 | AK66-00044-2404 | 1 | SHROUD/DECAL: REAR; LIFECYCLE; RIGHT; CHGR |
| UF-018 | AK66-00045-2404 | 1 | SHROUD/DECAL: REAR; LIFECYCLE; LEFT; CHGR |
| UF-020 | 0K66-01059-2400 | 1 | SHROUD: MIDDLE; RECUMBENT; CHGR |
| UF-022 | AK66-00042-2404 | 1 | SHROUD/DECAL: PCSR; FRONT; BUG; RIGHT; CHGR |
| UF-023 | AK66-00043-2404 | 1 | SHROUD/DECAL: PCSR; FRONT; BUG; LEFT; CHGR |
| UF-025 | 0K65-01264-0000 | 2 | LF Bug Decal |
| UF-026 | 0K66-01057-0700 | 1 | MEDIA HOLDER; RECUMBENT; BLACK |
| UF-027 | 0K66-01267-0000 | 1 | SHIELD: SHROUD; GBC |
| UF-028 | 0017-00042-1134 | 3 | Grommet |
| UF-029 | 0017-00101-2103 | 3 | SCR: #6 X 5/8 FLT PHL AB ST BLK |

