

# Platinum Club Series - Treadmill

PCST-DOMLX-01

## Parts Manual

1/5/2019 15:41:27 PM



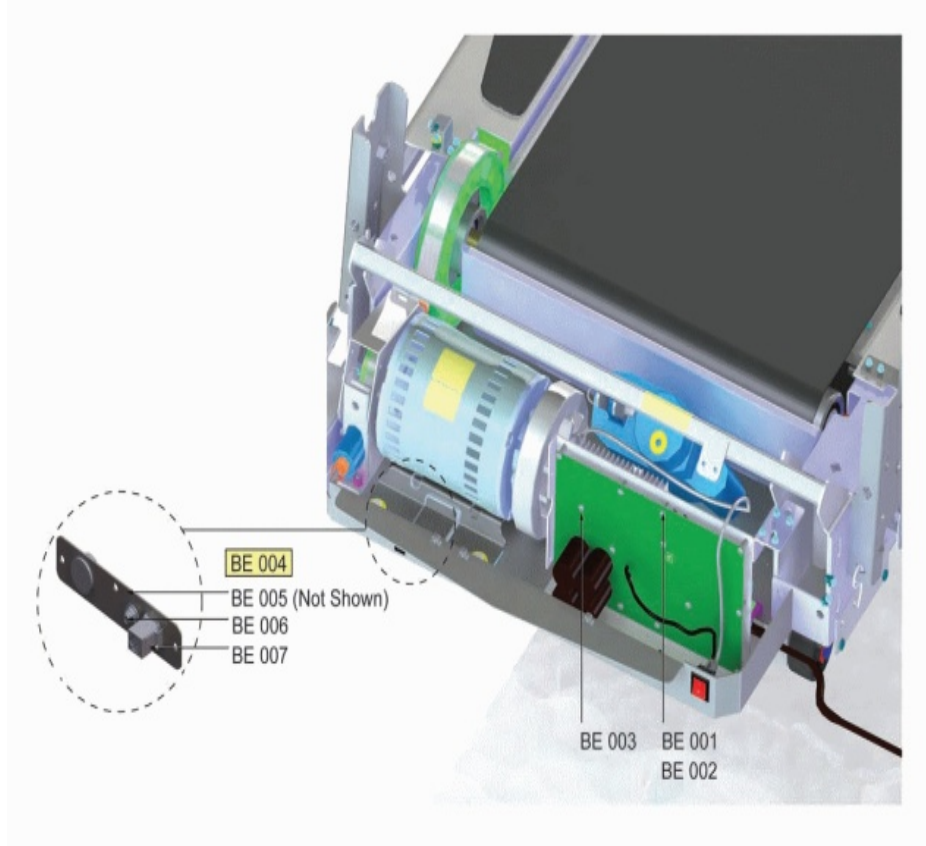
**LifeFitness**  
WHAT WE LIVE FOR

## Table of Contents

---

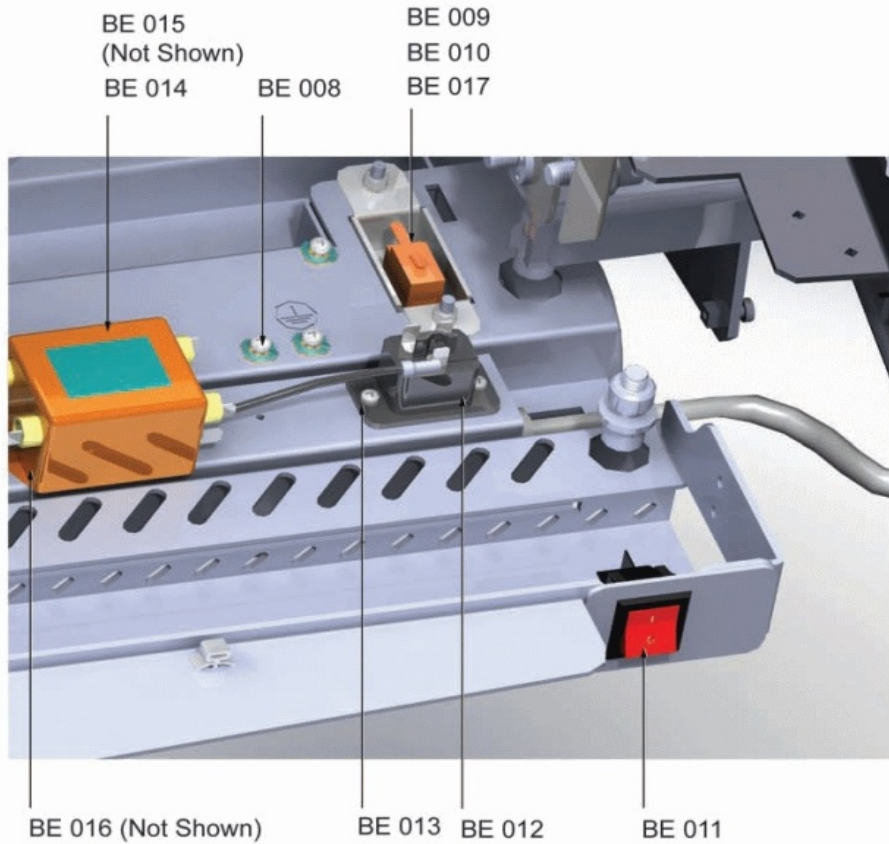
|  |                    |
|--|--------------------|
| <a href="#">Base Frame Electronics - DSP Motor Controller.....</a>                           | <a href="#">3</a>  |
| <a href="#">Base Frame Electronics - On-off Switch, Home Switch and Line Filter.....</a>     | <a href="#">4</a>  |
| <a href="#">Cables.....</a>  | <a href="#">5</a>  |
| <a href="#">Console Assembly - Console Brackets and Covers.....</a>                          | <a href="#">6</a>  |
| <a href="#">Drive Motor - Drive Motor Assembly.....</a>                                      | <a href="#">7</a>  |
| <a href="#">Drive Motor - Idler Assembly and Drive Belt.....</a>                             | <a href="#">8</a>  |
| <a href="#">Drive Motor - Motor Pan Brackets.....</a>  | <a href="#">9</a>  |
| <a href="#">Heart Rate System - Ergo Bar Components.....</a>                                 | <a href="#">10</a> |
| <a href="#">Lift System - Lift Frame and Wheels.....</a>                                     | <a href="#">11</a> |
| <a href="#">Lift System - Lift Motor and Hardware.....</a>                                   | <a href="#">12</a> |
| <a href="#">Lower Frame - Anti-slip Pad and Extrusions.....</a>                              | <a href="#">13</a> |
| <a href="#">Lower Frame - Motor Pan Covers.....</a>  | <a href="#">14</a> |
| <a href="#">Lower Frame - Rear End Caps.....</a>   | <a href="#">15</a> |
| <a href="#">Lower Frame - Uprights and Covers.....</a>                                       | <a href="#">16</a> |
| <a href="#">Miscellaneous.....</a>   | <a href="#">17</a> |
| <a href="#">Stride (Walking) System - Belt, Deck and Rollers.....</a>                        | <a href="#">18</a> |
| <a href="#">Stride (Walking) System - Deck Springs, Stride Sensor and Roller Guards.....</a> | <a href="#">19</a> |
| <a href="#">Stride (Walking) System - Leg Leveler Assembly.....</a>                          | <a href="#">20</a> |
| <a href="#">Upper Frame - Bridge Cover and Activity Zone.....</a>                            | <a href="#">21</a> |
| <a href="#">Upper Frame - Handrail and Covers.....</a>                                       | <a href="#">22</a> |

## Base Frame Electronics - DSP Motor Controller



| Ref #  | Part Number     | Qty | Description                                  |
|--------|-----------------|-----|--|
| BE-001 | AK75-00005-0002 | 1   | NC ASSEMBLY: AC MOTOR CONTROLLER, 120V, PCST |
| BE-003 | 0017-00103-0350 | 3   | Hardware: Hex Nut 5 MM                       |
| BE-004 | AK65-00082-0000 | 1   | Comm Port Plate Assembly                     |
| BE-005 | 0017-00021-2810 | 1   | F-Type Right Angle Adaptor                   |
| BE-006 | 0017-00021-2846 | 1   | F-Type Panel Connector                       |
| BE-007 | 0017-00021-3195 | 1   | COUPLER: CAT5E, SHIELDED, RJ45               |

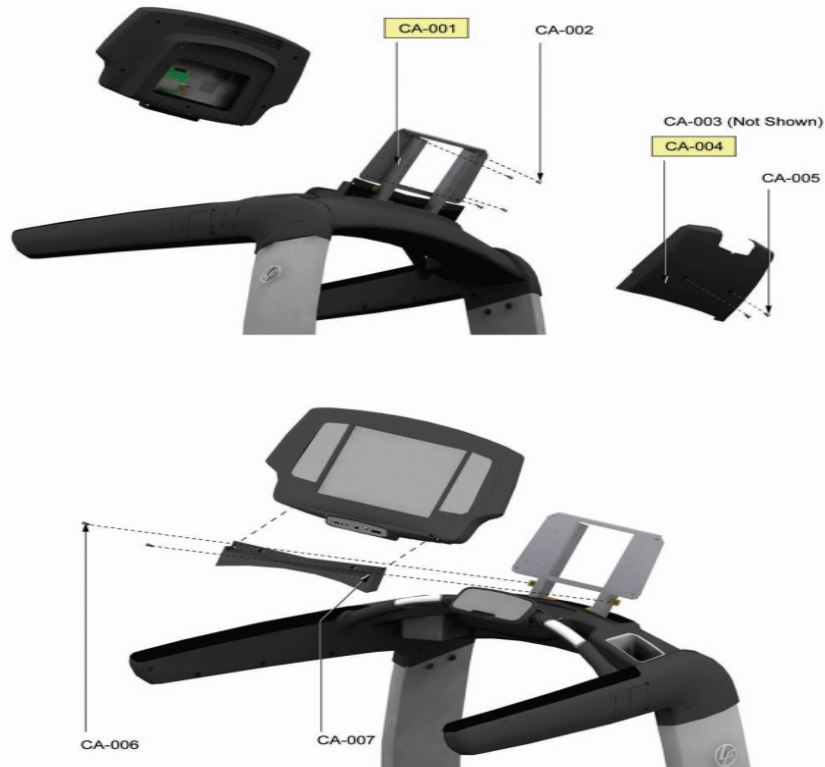
## Base Frame Electronics - On-off Switch, Home Switch and Line Filter



| Ref #          | Part Number     | Qty | Description                                  |
|----------------|-----------------|-----|--|
| BE-008, BE-016 | 0017-00101-1968 | 3   | Hardware: Ground Screws 10MM                 |
| BE-009         | 0017-00032-0195 | 1   | Home Switch                                  |
| BE-010         | 0017-00103-0350 | 1   | Hardware: Hex Nut 5 MM                       |
| BE-011         | 0017-00032-0198 | 1   | On/Off Switch 22A                            |
| BE-012         | 0017-00003-0949 | 1   | IEC Receptacle                               |
| BE-013         | 0017-00101-1969 | 1   | Hardware: IEC Receptacle Mounting Screw 10MM |
| BE-014         | 0017-00003-1015 | 1   | 20 amp Line Filter (DOM)                     |
| BE-015         | 0017-00003-0898 | 1   | 10 amp Line Filter (INT)                     |
| BE-017         | 0K65-01088-0001 | 1   | Home Switch Bracket                          |

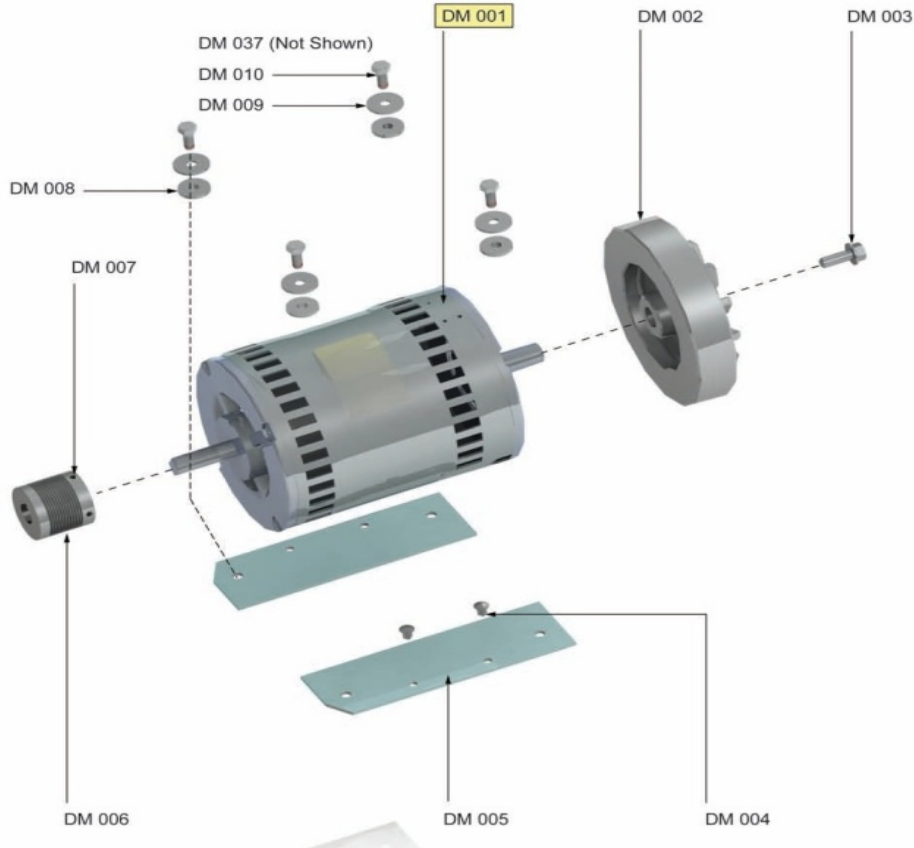


## Console Assembly - Console Brackets and Covers



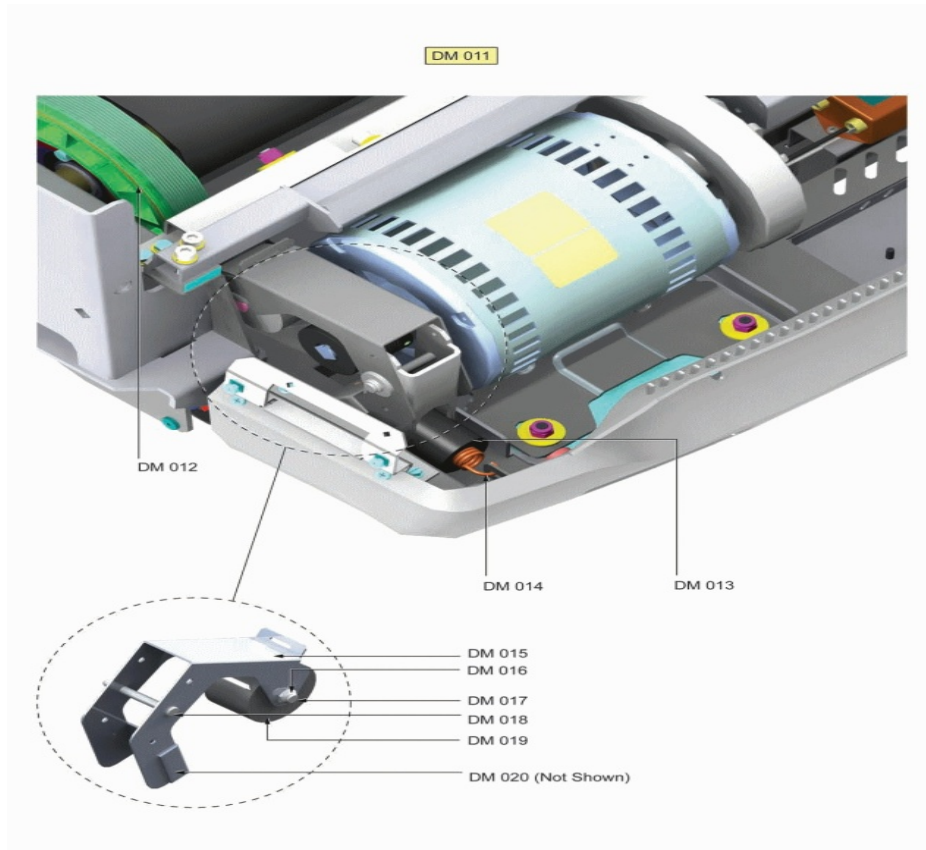
| Ref #         | Part Number     | Qty | Description                           |
|---------------|-----------------|-----|---------------------------------------|
| CA-001        | AK65-00130-0000 | 1   | Console Bridge Weldment with AVK      |
| CA-002        | 0017-00101-1995 | 4   | Hardware: Console Mounting Screw 10MM |
| CA-003        | 0K65-01189-0000 | 1   | LCD Access Cover                      |
| CA-004        | AK65-00090-0000 | 1   | Rear Console Cover w/Decal            |
| CA-005,CA-006 | 0017-00101-1953 | 4   | Hardware: Mounting Screw 14MM         |
| CA-007        | 0K65-01188-0000 | 1   | Console Neck Spacer                   |

## Drive Motor - Drive Motor Assembly



| Ref #  | Part Number     | Qty | Description                           |
|--------|-----------------|-----|---------------------------------------|
| DM-001 | 0K58-01386-0004 | 1   | MOTOR: MAIN DRIVE, 230V/50HZ, W/TAPER |
| DM-002 | 0K65-01221-0000 | 1   | Flywheel with Fan                     |
| DM-003 | 0017-00101-1885 | 1   | Hardware: Hex Bolt 1"                 |
| DM-005 | 0K58-01256-0001 | 1   | Insulating Pad                        |
| DM-006 | 0K58-01057-0001 | 1   | Drive Pulley - 1.971"                 |
| DM-007 | 0017-00101-0333 | 2   | Hardware: Screw 0.3125"               |
| DM-008 | 0K58-01255-0000 | 4   | Hardware: Insulating Washers          |
| DM-009 | 0017-00104-0409 | 4   | Hardware: Washer 1.125" OD            |
| DM-037 | 0017-00103-0333 | 4   | Hardware: Hex Nut                     |

## Drive Motor - Idler Assembly and Drive Belt



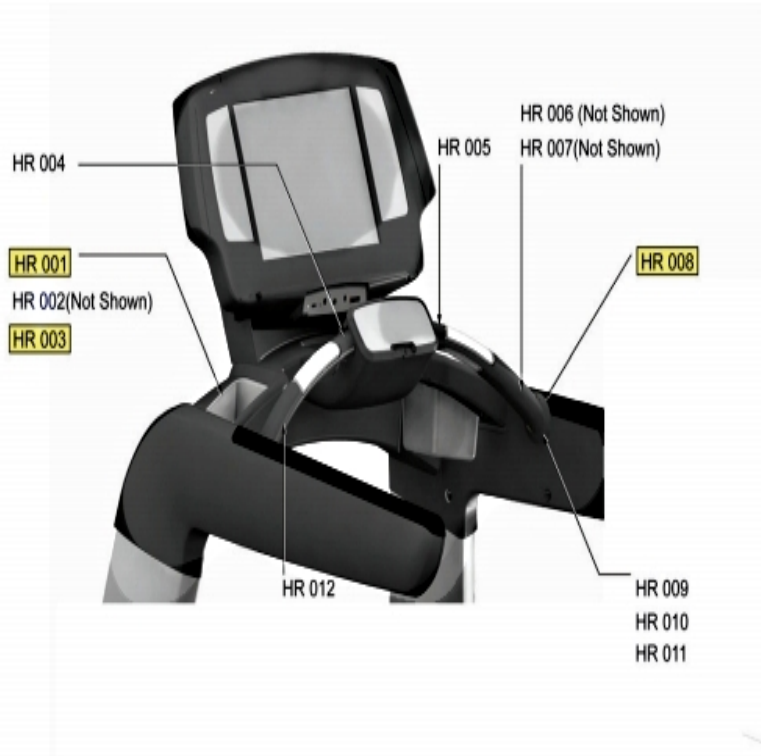
| Ref #  | Part Number     | Qty | Description                           |
|--------|-----------------|-----|---------------------------------------|
| DM-011 | AK65-00029-0000 | 1   | Idler Assembly                        |
| DM-012 | 0K58-01114-0000 | 1   | Poly-V Drive Belt - 370J12            |
| DM-013 | 0K26-02055-0000 | 1   | Spring Damper                         |
| DM-014 | 0K58-01085-0000 | 1   | Extension Spring                      |
| DM-015 | 0K65-01113-0000 | 1   | Idler Bracket                         |
| DM-016 | 0017-00103-0324 | 1   | Hardware: Thin Lock Nut 3/8" ID       |
| DM-017 | 0K58-01084-0002 | 1   | Threaded Shaft                        |
| DM-018 | 0017-00007-0248 | 1   | Hardware: Locking Pin .31" D 2.125" L |
| DM-019 | 0K26-01731-0000 | 1   | Plastic Idler 2 5/8" OD               |
| DM-020 | 0017-00103-0333 | 4   | Hardware: Hex Nut                     |

## Drive Motor - Motor Pan Brackets

---

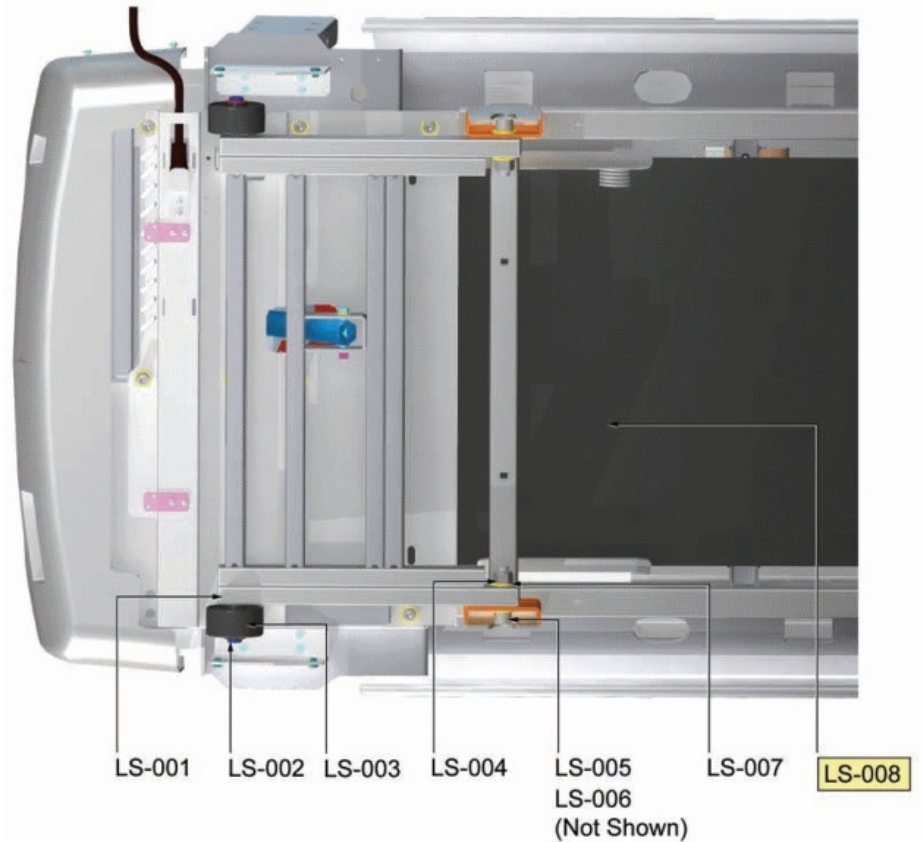
| Ref #             | Part Number     | Qty | Description                               |
|-------------------|-----------------|-----|---|
| DM-021            | AK65-00088-0000 | 1   | Actuator and Frame Tie Weldment           |
| DM-022            | 0017-00104-0334 | 5   | Hardware: Flat Washers 0.880" OD          |
| DM-023            | 0017-00101-1983 | 5   | Hardware: Mounting Bolt 20MM              |
| DM-024            | 0017-00104-0064 | 5   | Hardware: Lock Washer 0.586" OD           |
| DM-025            | 0017-00101-1982 | 2   | Hardware: Mounting Bolt 35MM              |
| DM-026            | 0017-00104-0492 | 2   | Hardware: Flat Washer 750" OD             |
| DM-027            | 0K65-01187-0000 | 1   | Bar Tie                                   |
| DM-028            | 0017-00101-1959 | 1   | Hardware: Tie Mounting Hardware Bolt 16MM |
| DM-029            | 0017-00103-0333 | 4   | Hardware: Hex Nut                         |
| DM-030            | 0017-00104-0333 | 4   | Hardware: Washer 0.683" OD                |
| DM-031            | 0017-00104-0263 | 4   | Hardware: Washer 0.875" OD                |
| DM-032            | 0K65-01134-0002 | 1   | Left Front Motor Cover Bracket            |
| DM-033,D<br>M-035 | 0017-00101-1961 | 7   | Hardware: Mounting Screw 16MM             |
| DM-034            | 0K65-01134-0001 | 1   | Motor Cover Bracket                       |
| DM-036            | 0017-00042-1147 | 1   | Hardware: Nylon Grommet                   |

## Heart Rate System - Ergo Bar Components



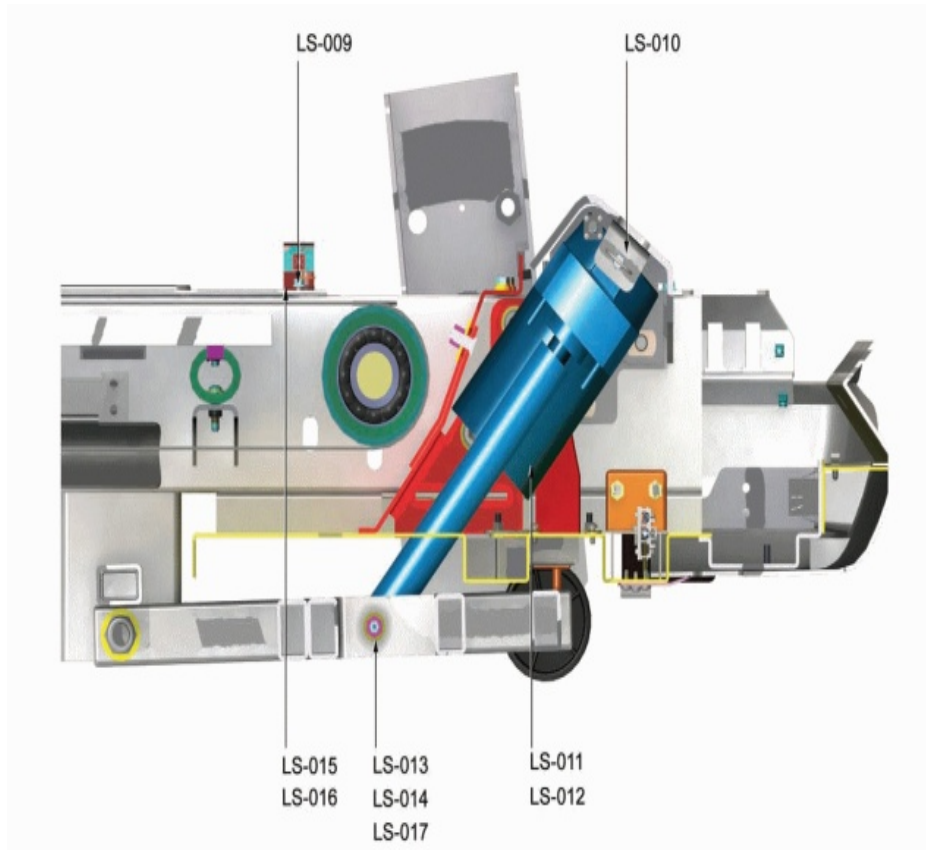
| Ref #  | Part Number     | Qty | Description                                   |
|--------|-----------------|-----|---|
| HR-001 | GK65-00002-0002 | 1   | HR Sensor Kit                                 |
| HR-002 | 0017-00101-1984 | 1   | Hardware: Bridge Weldment Mounting Screw 30MM |
| HR-003 | AK65-00129-0000 | 1   | Bridge Weldment with AVK                      |
| HR-004 | 0K65-01204-0002 | 1   | Inner Ergo Bar Gasket (Left)                  |
| HR-005 | 0K65-01204-0001 | 1   | Inner Ergo Bar Gasket (Right)                 |
| HR-006 | 0017-00101-1954 | 4   | Hardware: Mounting Screw 35MM                 |
| HR-007 | 0017-00104-0488 | 4   | Hardware: Flat Washers 11.5 MM OD             |
| HR-008 | AK65-00014-0000 | 1   | Ergo Bar Assembly                             |
| HR-009 | 0K65-01203-0001 | 1   | Outer Ergo Bar Gasket (Right)                 |
| HR-010 | 0K65-01133-0001 | 1   | Heart Rate Electrodes Gasket (Front)          |
| HR-011 | 0K65-01133-0002 | 1   | Heart Rate Electrodes Gasket (Back)           |
| HR-012 | 0K65-01203-0002 | 1   | Outer Ergo Bar Gasket (Left)                  |

## Lift System - Lift Frame and Wheels



| Ref #  | Part Number     | Qty | Description                              |
|--------|-----------------|-----|--|
| LS-001 | 6836601         | 2   | Cap, End 1 X 1-1/2 11 GA                 |
| LS-002 | 0017-00100-0249 | 2   | Snap Ring                                |
| LS-003 | 0K65-01245-0000 | 2   | Lift Wheels                              |
| LS-004 | 0017-00103-0349 | 2   | Hardware: Lift Frame Mounting Nuts 16 MM |
| LS-005 | 0017-00101-1964 | 2   | Hardware: Lift Frame Mounting Bolt 60MM  |
| LS-006 | 0K65-01242-0000 | 2   | Sleeve Bushings                          |
| LS-007 | 0017-00104-0259 | 4   | Hardware: Washer 1.331" OD               |
| LS-008 | AK65-00089-0001 | 1   | Painted Lift Frame Weldment              |

## Lift System - Lift Motor and Hardware



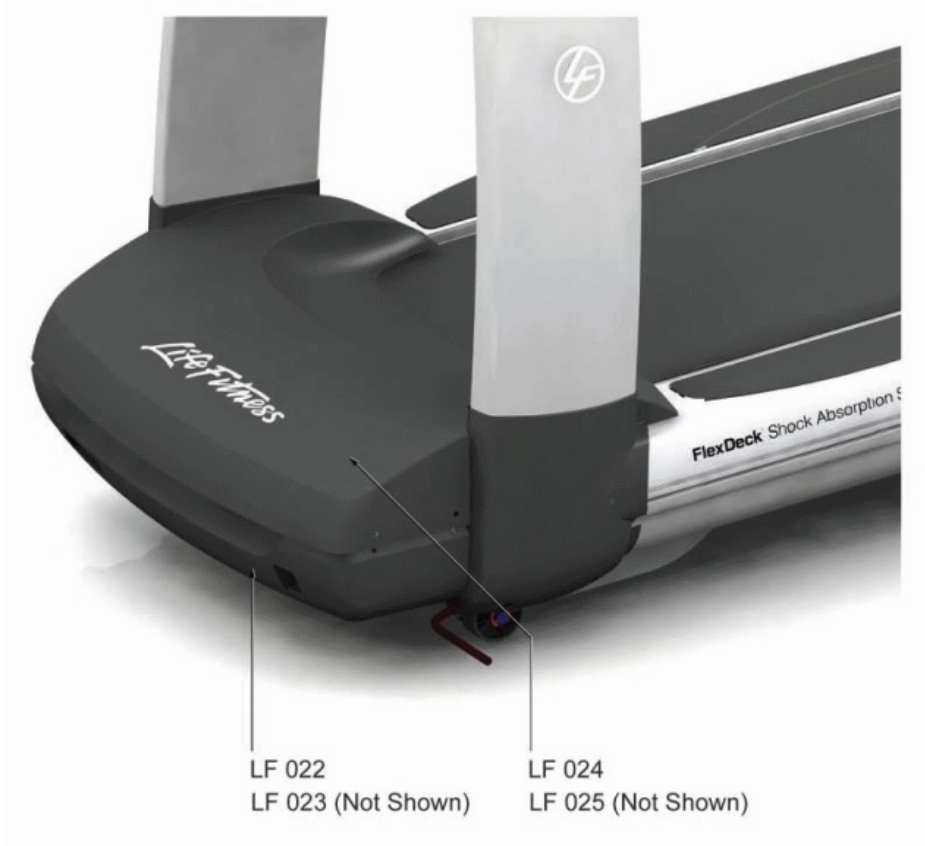
| Ref #  | Part Number     | Qty | Description                     |
|--------|-----------------|-----|---------------------------------|
| LS-009 | 0017-00042-1147 | 1   | Hardware: Nylon Grommet         |
| LS-010 | 0017-00007-0275 | 1   | Hardware: Ring Grip Pin         |
| LS-011 | 0K65-01192-0001 | 1   | Lift Actuator 115V              |
| LS-013 | 0017-00101-2038 | 1   | Hardware: Bolt 2"               |
| LS-014 | 0017-00103-0027 | 1   | Hardware: Locking Nut. 5/16" ID |
| LS-015 | 0K65-01135-0001 | 1   | Rear Motor Cover Bracket Right  |
| LS-016 | 0K65-01135-0002 | 1   | Rear Motor Cover Bracket Left   |
| LS-017 | 0017-00104-0043 | 2   | Hardware: Flat Washer 0.734" OD |

## Lower Frame - Anti-slip Pad and Extrusions



| Ref #  | Part Number     | Qty | Description                             |
|--------|-----------------|-----|---|
| LF-012 | 0K65-01190-0001 | 1   | Right Anti-slip Pad                     |
| LF-013 | 0K65-01190-0002 | 1   | Left Anti slip Pad                      |
| LF-014 | GK65-00002-0003 | 1   | Right Upper Extrusion/Anti-slip Pad Kit |
| LF-015 | GK65-00002-0004 | 1   | Left Upper Extrusion/Anti-slip Pad Kit  |
| LF-016 | AK65-00093-0003 | 1   | RH Lower Frame Extrusion Assembly       |
| LF-017 | AK65-00093-0004 | 1   | LH Lower Frame Extrusion Assembly       |
| LF-018 | 0K65-01354-0000 | 1   | SPACER: LOWER EXTRUSION                 |

## Lower Frame - Motor Pan Covers

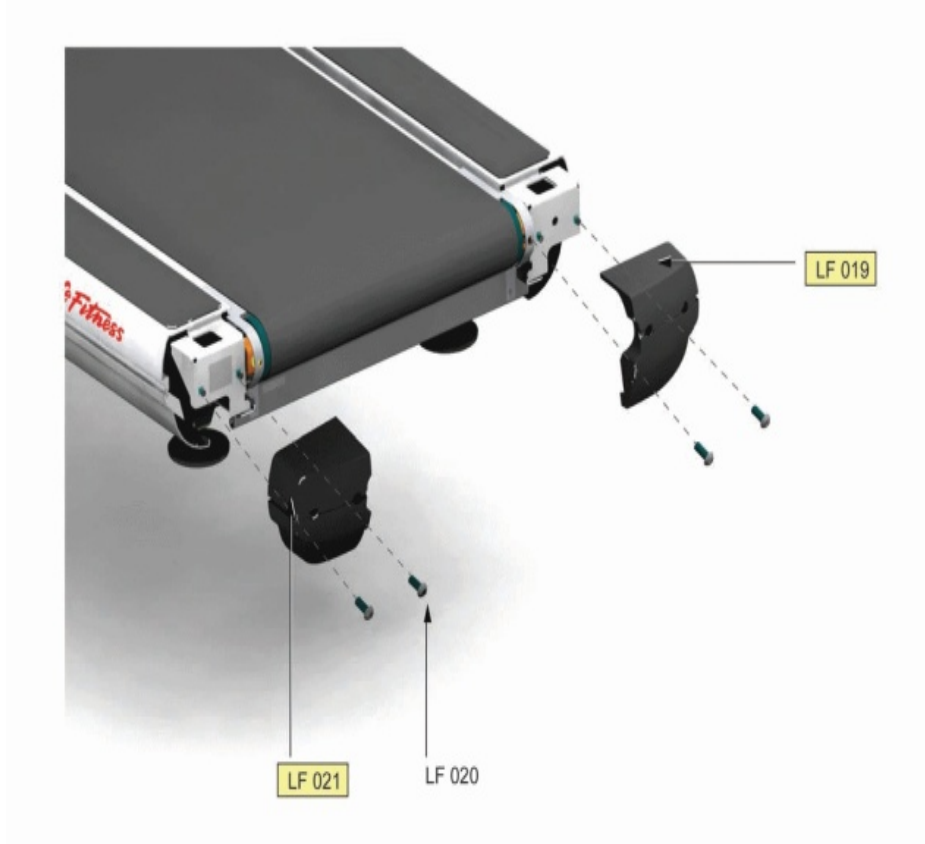


LF 022                      LF 024  
LF 023 (Not Shown)      LF 025 (Not Shown)

| Ref #         | Part Number     | Qty | Description                   |
|---------------|-----------------|-----|-------------------------------|
| LF-022        | 0K65-01126-0001 | 1   | Bottom Motor Cover            |
| LF-023,LF-025 | 0017-00101-1776 | 10  | Hardware: Mounting Screw 0.5" |
| LF-024        | 0K65-01125-0000 | 1   | Top Motor Cover               |

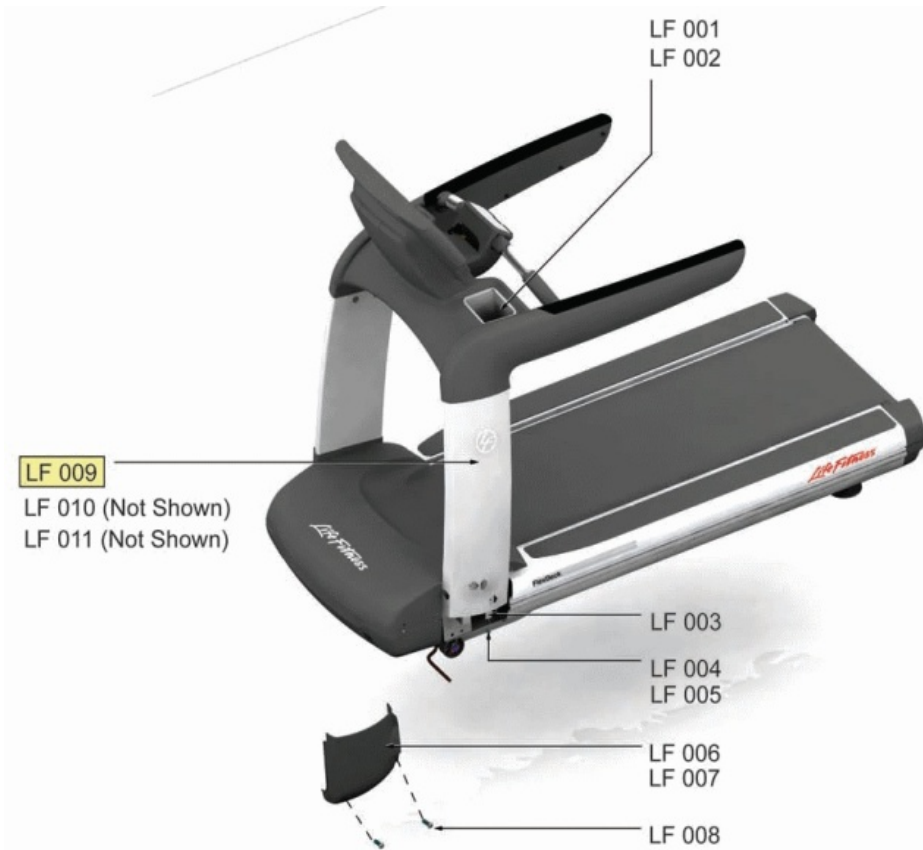
## Lower Frame - Rear End Caps

---



| Ref #  | Part Number     | Qty | Description                   |
|--------|-----------------|-----|-------------------------------|
| LF-019 | GK65-00002-0023 | 1   | Right Rear End Cap Kit        |
| LF-020 | 0017-00101-1776 | 4   | Hardware: Mounting Screw 0.5" |
| LF-021 | GK65-00002-0022 | 1   | Left Rear End Cap Kit         |

## Lower Frame - Uprights and Covers



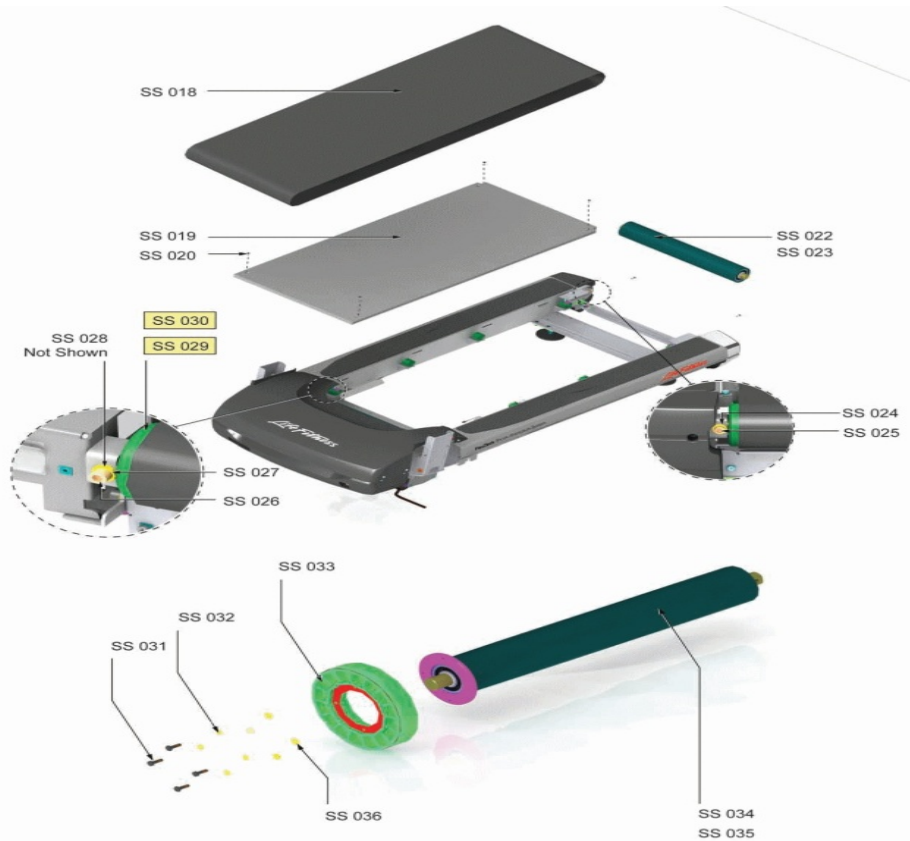
| Ref #  | Part Number     | Qty | Description                                   |
|--------|-----------------|-----|---|
| LF-001 | 0K65-01174-0101 | 1   | CUPHOLDER: RT ARC                             |
| LF-002 | 0K65-01174-0102 | 1   | CUPHOLDER: LT ARC                             |
| LF-003 | 0017-00042-0326 | 4   | Hardware: Plastic Grommet                     |
| LF-004 | 0K65-01176-0001 | 1   | Upright Cover Support Bracket Right           |
| LF-005 | 0K65-01176-0000 | 1   | Upright Cover Support Bracket Left            |
| LF-006 | 0K65-01127-0001 | 1   | Right Upright Cover                           |
| LF-007 | 0K65-01127-0002 | 1   | Left Upright Cover                            |
| LF-008 | 0017-00101-1776 | 4   | Hardware: Mounting Screw 0.5"                 |
| LF-009 | GK65-00002-0013 | 1   | Right or Left Upright Assembly (PCST)         |
| LF-010 | 0017-00101-1984 | 6   | Hardware: Bridge Weldment Mounting Screw 30MM |
| LF-011 | 0017-00104-0489 | 6   | Hardware: Washer 20.75 MM OD                  |

**Miscellaneous**

---

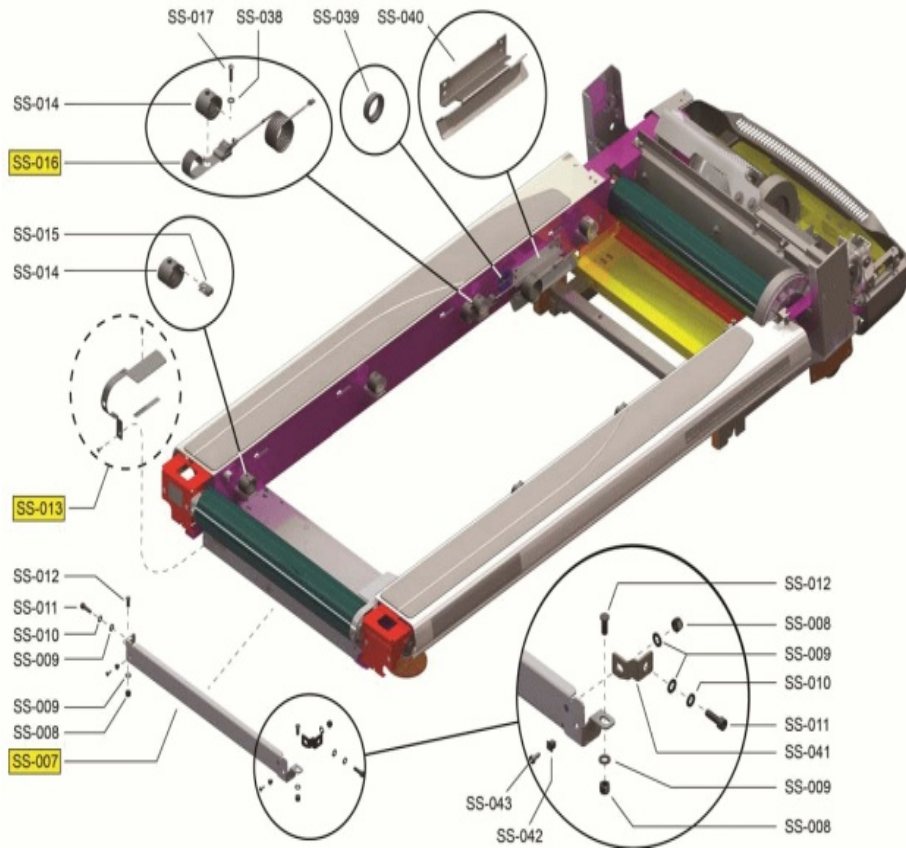
| Ref #    | Part Number     | Qty | Description                                   |
|----------|-----------------|-----|---|
| MISC-001 | M051-00K65-A001 | 1   | Operation Manual                              |
| MISC-003 | AK65-00025-0000 | 1   | Hardware Bag: 95T/97T Domestic                |
| MISC-004 | 0017-00021-2740 | 1   | CSAFE Splitter                                |
| MISC-005 | 0017-00101-1769 | 2   | Hardware: Phillips Pan Screw 0.75"            |
| MISC-006 | 0017-00101-1902 | 7   | Hardware: Screw 20 MM                         |
| MISC-007 | 0017-00101-1954 | 6   | Hardware: Mounting Screw 35MM                 |
| MISC-008 | 0017-00101-1984 | 16  | Hardware: Bridge Weldment Mounting Screw 30MM |
| MISC-009 | 0017-00101-1953 | 68  | Hardware: Mounting Screw 14MM                 |
| MISC-010 | 0017-00101-1776 | 8   | Hardware: Mounting Screw 0.5"                 |
| MISC-011 | 0017-00101-1995 | 4   | Hardware: Console Mounting Screw 10MM         |
| MISC-012 | 0017-00104-0488 | 19  | Hardware: Flat Washers 11.5 MM OD             |
| MISC-013 | 0017-00104-0489 | 16  | Hardware: Washer 20.75 MM OD                  |
| MISC-014 | 0017-00008-0204 | 1   | Paint Spray Can - Arctic Silver               |
| MISC-015 | 0017-00008-0205 | 1   | 5 oz Bottle - Arctic Silver                   |
| MISC-016 | 0017-00008-0206 | 1   | .33oz Pen - Arctic Silver                     |
| MISC-017 | 0017-00003-0980 | 1   | Line Cord: US Low Voltage 144"                |
| MISC-023 | 0K65-01131-0000 | 1   | Line Cord Bracket                             |
| MISC-025 | 0017-00101-1968 | 1   | Hardware: Ground Screws 10MM                  |

## Stride (Walking) System - Belt, Deck and Rollers



| Ref #  | Part Number     | Qty | Description                               |
|--------|-----------------|-----|---|
| SS-018 | 0K65-01272-0000 | 1   | Striding Belt - PCST-02                   |
| SS-019 | 0K65-01273-0000 | 1   | Deck: PCST-02                             |
| SS-020 | 0017-00101-1775 | 1   | Hardware: Deck Screws 1.25"               |
| SS-022 | 0K65-01199-0000 | 1   | Rear Roller Domestic - 3.5" Diameter      |
| SS-023 | 0K65-01199-0001 | 1   | Rear Roller International - 3.5" Diameter |
| SS-024 | 0017-00104-0492 | 2   | Hardware: Flat Washer 750" OD             |
| SS-025 | 0017-00101-1880 | 1   | Hardware: Tension Bolts 3"                |
| SS-026 | 0017-00101-0974 | 1   | Hardware: Mounting Bolt 2"                |
| SS-027 | 0017-00104-0043 | 1   | Hardware: Flat Washer 0.734" OD           |
| SS-028 | 0017-00104-0006 | 1   | Hardware: Lock Washer 0.683" OD           |
| SS-029 | AK65-00067-0000 | 1   | Front Roller Assembly Domestic            |
| SS-031 | 0017-00101-1632 | 4   | Hardware: Hex Bolt 0.875"                 |
| SS-032 | 0017-00104-0330 | 4   | Hardware: Flat Washers 0.562" OD          |
| SS-033 | 0K58-01105-0000 | 1   | Drive Pulley Poly V - 8"                  |
| SS-034 | 0K65-01195-0000 | 1   | Front Roller Domestic - 3.5" Diameter     |

## Stride (Walking) System - Deck Springs, Stride Sensor and Roller Guards



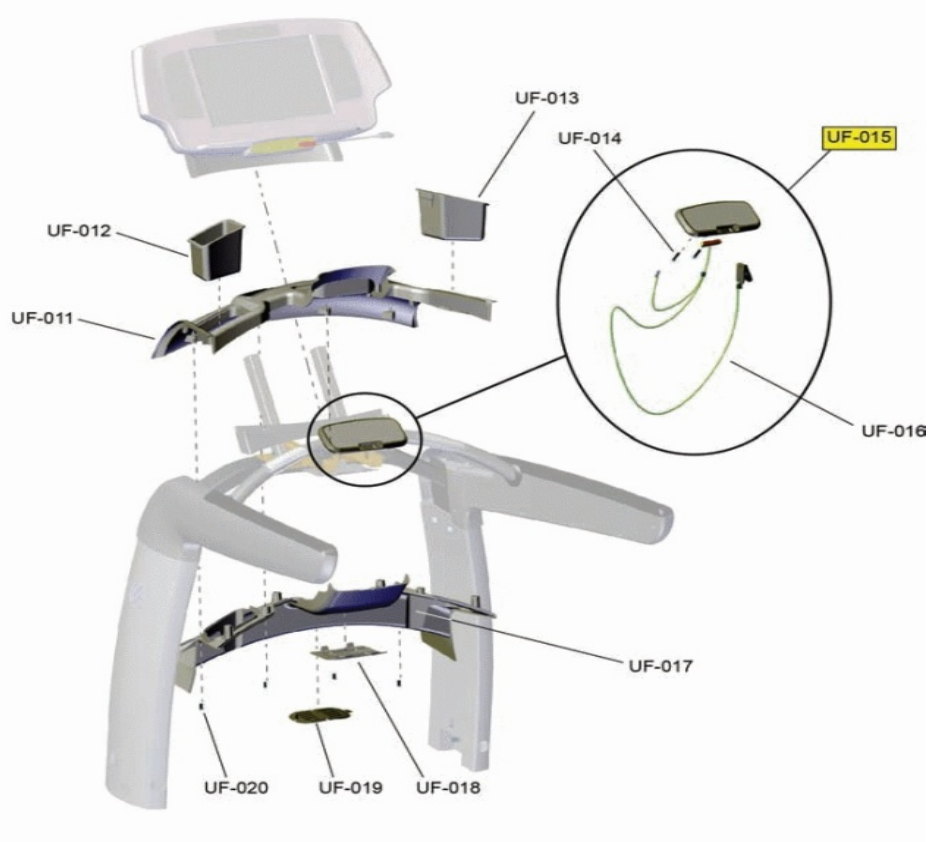
| Ref #  | Part Number     | Qty | Description                        |
|--------|-----------------|-----|------------------------------------|
| SS-007 | AK65-00080-0000 | 1   | Toe Guard                          |
| SS-008 | 0017-00103-0333 | 3   | Hardware: Hex Nut                  |
| SS-009 | 0017-00104-0469 | 5   | Hardware: Flat Washer 16MM OD      |
| SS-010 | 0017-00104-0064 | 2   | Hardware: Lock Washer 0.586" OD    |
| SS-011 | 0017-00101-1967 | 2   | Hardware: Bolt 25MM                |
| SS-012 | 0017-00009-1251 | 2   | Hardware: Screw                    |
| SS-013 | GK65-00002-0001 | 1   | Roller Guard Kit                   |
| SS-014 | 0K40-01026-0002 | 8   | Deck Spring                        |
| SS-015 | 0017-00103-0198 | 4   | Hardware: Tinnerman Clip 1/4" ID   |
| SS-017 | 0017-00101-1652 | 8   | Hardware: Spring Mounting Screw 1" |
| SS-038 | 0017-00104-0072 | 8   | Hardware: Flat Washer 0.562" OD    |
| SS-040 | 0K65-01191-0000 | 2   | Striding Belt Barrier              |
| SS-041 | AK65-00079-0000 | 1   | Toe Guard L-bracket                |
| SS-042 | 0017-00042-1147 | 2   | Hardware: Nylon Grommet            |
| SS-043 | 0017-00101-1776 | 2   | Hardware: Mounting Screw 0.5"      |

## Stride (Walking) System - Leg Leveler Assembly



| Ref #  | Part Number     | Qty | Description                   |
|--------|-----------------|-----|-------------------------------|
| SS-002 | 0017-00103-0333 | 4   | Hardware: Hex Nut             |
| SS-003 | 0K58-01083-0000 | 1   | Leveler Bracket               |
| SS-004 | 0K58-01099-0000 | 1   | Hardware: Stop Nut            |
| SS-005 | 0K58-01110-0000 | 1   | Leveler Foot                  |
| SS-006 | 0K58-01098-0000 | 1   | Hardware: Pivot Pin           |
| SS-037 | 0017-00104-0469 | 4   | Hardware: Flat Washer 16MM OD |

## Upper Frame - Bridge Cover and Activity Zone



| Ref #  | Part Number     | Qty | Description                   |
|--------|-----------------|-----|-------------------------------|
| UF-011 | 0K65-01051-0000 | 1   | Top Bridge Cover              |
| UF-012 | 0K65-01174-0102 | 1   | CUPHOLDER: LT ARC             |
| UF-013 | 0K65-01174-0101 | 1   | CUPHOLDER: RT ARC             |
| UF-014 | 0017-00101-1954 | 2   | Hardware: Mounting Screw 35MM |
| UF-015 | AK65-00015-0000 | 1   | Activity Zone Assembly        |
| UF-016 | AK65-00037-0002 | 1   | TETHER: STOP SWITCH & CLIP    |
| UF-017 | 0K65-01052-0000 | 1   | Bottom Bridge Cover           |
| UF-018 | 0K65-01053-0000 | 1   | Bezel Access Door             |
| UF-019 | 0K65-01208-0000 | 1   | Bridge Access Door            |
| UF-020 | 0017-00101-1953 | 10  | Hardware: Mounting Screw 14MM |

## Upper Frame - Handrail and Covers



| Ref #         | Part Number     | Qty | Description                                     |
|---------------|-----------------|-----|---|
| UF-001        | 0K65-01167-0001 | 1   | Right Outer Handrail Cover                      |
| UF-002,UF-008 | 0017-00101-1953 | 2   | Hardware: Mounting Screw 14MM                   |
| UF-003        | AK65-00077-0001 | 1   | Right Handrail Assembly                         |
| UF-004        | 0K65-01225-0000 | 11  | Inner Handrail Plug                             |
| UF-005        | 0017-00004-0452 | 1   | BAG: POLY; 3X5" ZIP-TOP, 1000 EA/BX, 12 BX/CASE |
| UF-006        | 0K65-01168-0001 | 1   | Right Inner Handrail Cover                      |
| UF-007        | 0K65-01168-0002 | 1   | Left Inner Handrail Cover                       |
| UF-009        | AK65-00077-0002 | 1   | Left Handrail Assembly                          |
| UF-010        | 0K65-01167-0002 | 1   | Left Outer Handrail Cover                       |

