

PCST STD PLWT Treadmill Base DOM HV

PCSTS-DOMHX-2107

Parts Manual

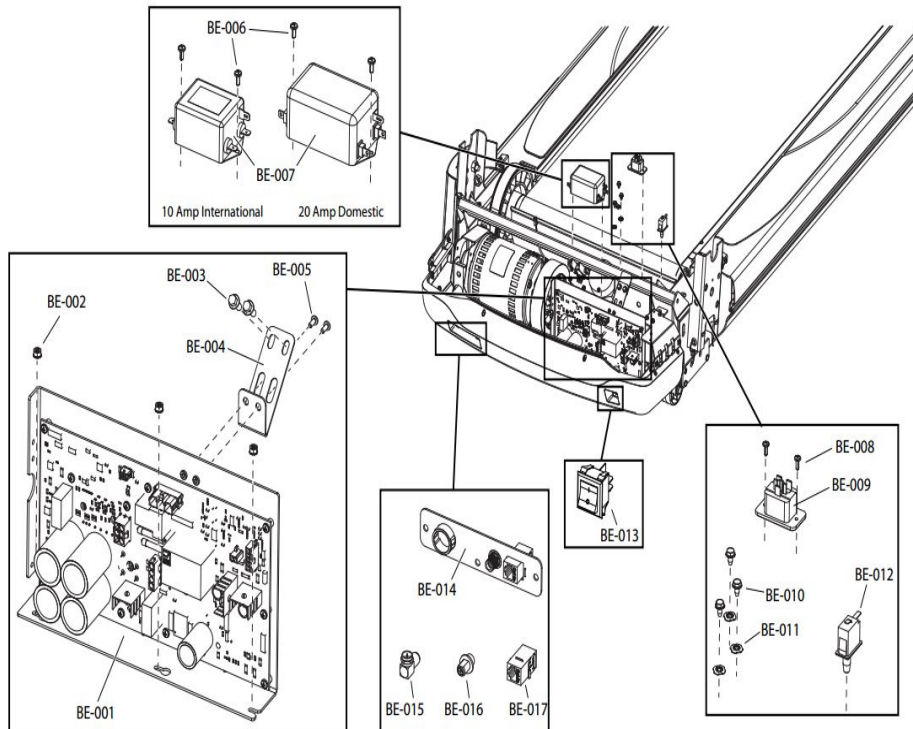
1/5/2019 15:42:53 PM

Table of Contents

Base Frame Electronics.....	3
Console Assembly, Bracket and Covers.....	4
Drive System - Drive Motor Assembly.....	5
Drive System - Idler Assembly and Drive Belt.....	6
Electric Wiring Diagrams and Cable Parts List.....	7
Heart Rate System - Ergo Bar Components.....	8
Lift System - Lift Frame and Wheels.....	9
Lift System - Lift Motor and Hardware.....	10
Lower Frame - Anti-Slip Pad, Extrusions and Rear End Caps.....	11
Lower Frame - Motor Covers, Brackets and Mounting Hardware.....	12
Lower Frame - Uprights and Covers.....	13
Miscellaneous.....	14
Stride (Walking) System - Belt, Deck and Rollers.....	16
Stride (Walking) System - Deck Springs, Stride Sensor, Roller Guards, Leg Leveler Assembly.....	17
Upper Frame - Bridge Cover and Activity Zone.....	18
Upper Frame - Handrail and Covers.....	19

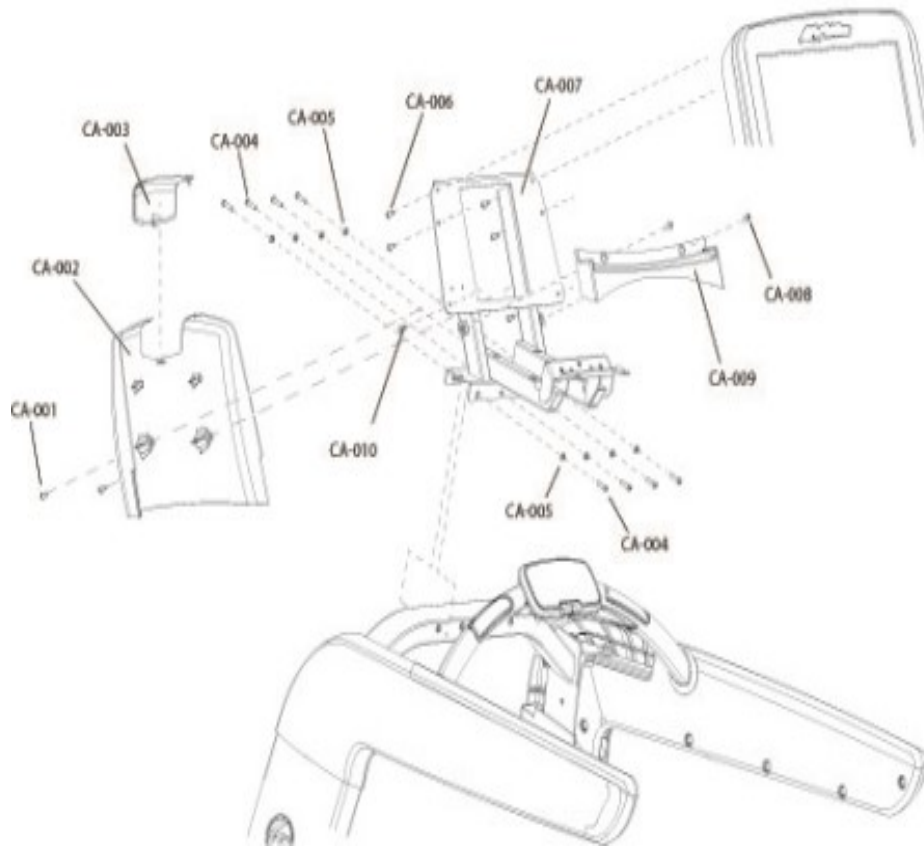
Base Frame Electronics

Base Frame Electronics



Ref #	Part Number	Qty	Description
BE-001	AK75-00005-0003	1	ASSEMBLY: AC MOTOR CONTROLLER, 230V, PCST
BE-002	0017-00103-0350	3	Hardware: Hex Nut 5 MM
BE-003	0017-00101-1960	2	M6 X1.00-6G6GX 16 DIN UNS HXW TT ST ZN
BE-004	0K65-01214-0001	1	BRACE: DSP CONTROLLER
BE-005	0017-00101-1878	2	M 4X0.70-6g6gX 10 ISO PHL PAN MS ST ZN B
BE-006	0017-00101-1968	2	Hardware: Ground Screws 10MM
BE-007	0017-00003-1015	1	20 amp Line Filter (DOM)
BE-008	0017-00101-1969	2	Hardware: IEC Receptacle Mounting Screw 10MM
BE-009	0017-00003-0949	1	IEC Receptacle
BE-010	0017-00101-0883	3	Hardware: Screw 0.375"
BE-011	0017-00104-0460	3	Hardware: Lockwasher 0.562" OD
BE-012	0017-00032-0195	1	Home Switch
BE-013	0017-00032-0198	1	On/Off Switch 22A
BE-014	AK65-00082-0000	1	Comm Port Plate Assembly
BE-015	0017-00021-2810	1	F-Type Right Angle Adaptor
BE-016	0017-00021-2846	1	F-Type Panel Connector
BE-017	0017-00021-3195	1	COUPLER: CAT5E, SHIELDED, RJ45

Console Assembly, Bracket and Covers

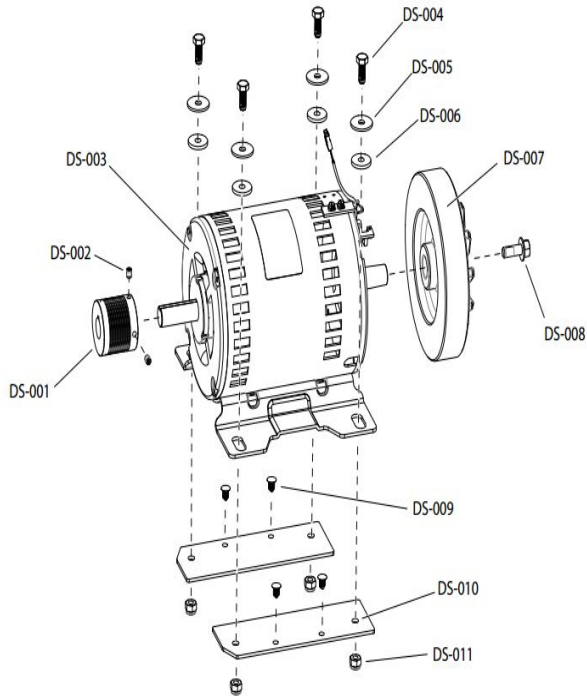


Ref #	Part Number	Qty	Description
CA-001,CA-008	0017-00101-1953	4	Hardware: Mounting Screw 14MM
CA-002	AK65-00090-2400	1	ASSY: CONSOLE NECK BACK; CHGR
CA-003	0K65-01189-2400	1	COVER: LCD ACCESS; CHGR
CA-004	0017-00101-2022	8	Hardware: M6 X 1.00 - 6G6G X 25 HEX BUT L MS ST ZB
CA-005	0017-00104-0488	8	Hardware: Flat Washers 11.5 MM OD
CA-006	0017-00101-1995	4	Hardware: Console Mounting Screw 10MM
CA-007	AK65-00130-0000	1	Console Bridge Weldment with AVK
CA-009	0K65-01188-2400	1	SPACER: CONSOLE NECK; CHGR
CA-010	0017-00101-2108	2	SCR: M5X0.80X14MM SEMS PHL PHMS ST BZ

Drive System - Drive Motor Assembly

Drive System

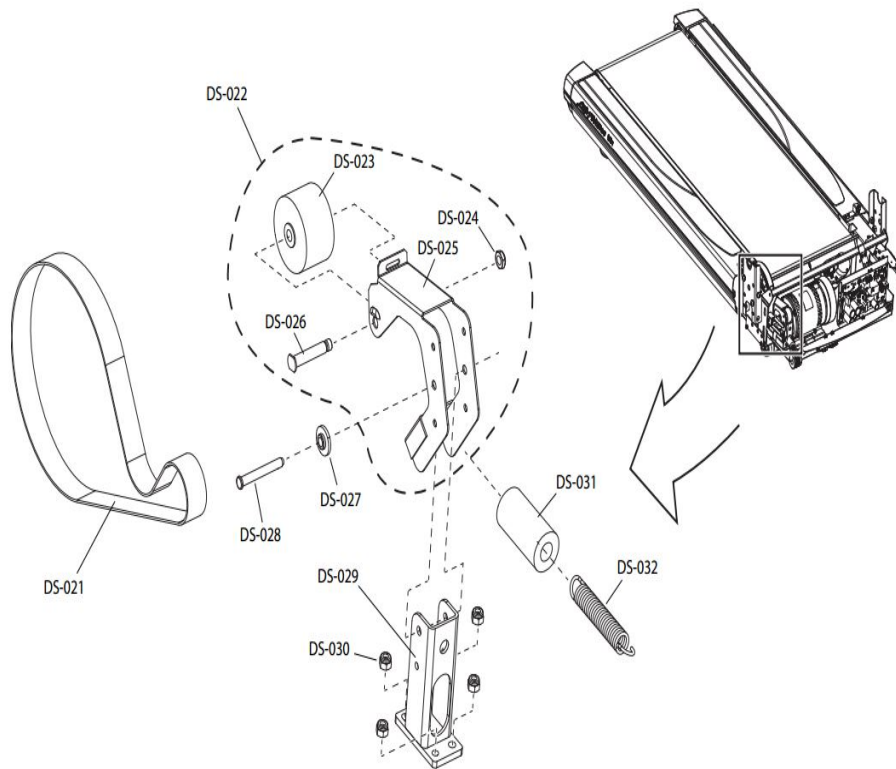
Drive Motor Assembly



Ref #	Part Number	Qty	Description
DS-001	0K58-01057-0001	1	Drive Pulley - 1.971"
DS-002	0017-00101-0333	1	Hardware: Screw 0.3125"
DS-003	0K58-01386-0004	1	MOTOR: MAIN DRIVE, 230V/50HZ, W/TAPER
DS-004	0017-00101-1945	4	Hardware: Bolt 20 MM
DS-005	0017-00104-0409	4	Hardware: Washer 1.125" OD
DS-006	0K58-01255-0000	4	Hardware: Insulating Washers
DS-007	0K65-01221-0000	1	Flywheel with Fan
DS-008	0017-00101-1885	1	Hardware: Hex Bolt 1"
DS-009	0017-00042-1212	4	Clip
DS-010	0K58-01256-0001	1	Insulating Pad
DS-011	0017-00103-0333	4	Hardware: Hex Nut

Drive System - Idler Assembly and Drive Belt

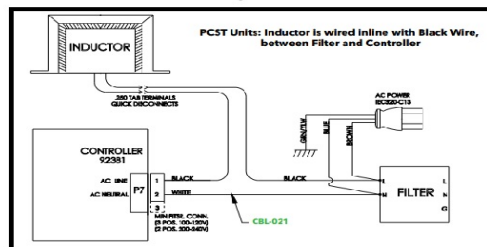
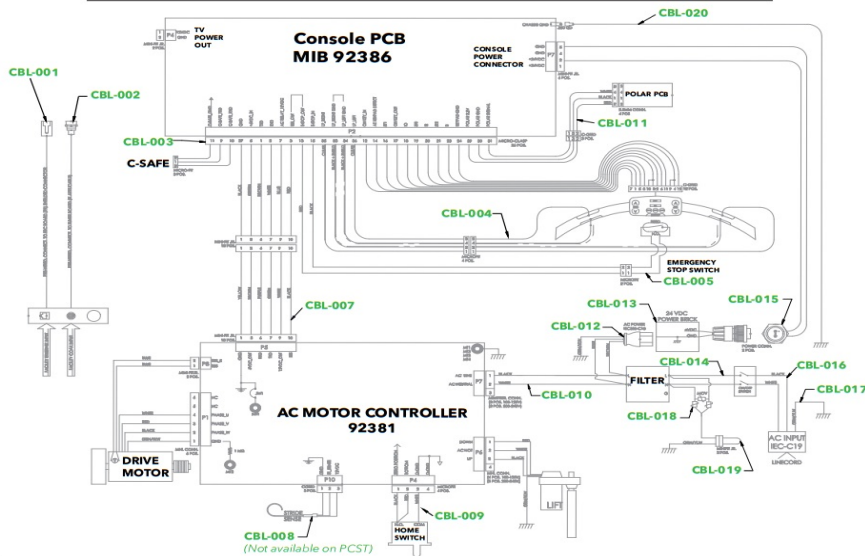
Idler Assembly and Drive Belt



Ref #	Part Number	Qty	Description
DS-021	0K58-01114-0000	1	Poly-V Drive Belt - 370J12
DS-022	AK65-00029-0000	1	Idler Assembly
DS-023	0K26-01731-0000	1	Plastic Idler 2 5/8" OD
DS-024	0017-00103-0324	1	Hardware: Thin Lock Nut 3/8" ID
DS-025	0K65-01113-0000	1	Idler Bracket
DS-026	0K58-01084-0002	1	Threaded Shaft
DS-027	0K58-01255-0000	1	Hardware: Insulating Washers
DS-028	0017-00007-0248	1	Hardware: Locking Pin .31" D 2.125" L
DS-029	AK65-00145-0000	1	BRKT: IDLER SUPPORT
DS-030	0017-00103-0333	4	Hardware: Hex Nut
DS-031	0K26-02055-0000	1	Spring Damper
DS-032	0K58-01085-0000	1	Extension Spring

Electric Wiring Diagrams and Cable Parts List

Electric Wiring Diagrams and Cable Parts List - DISCOVER

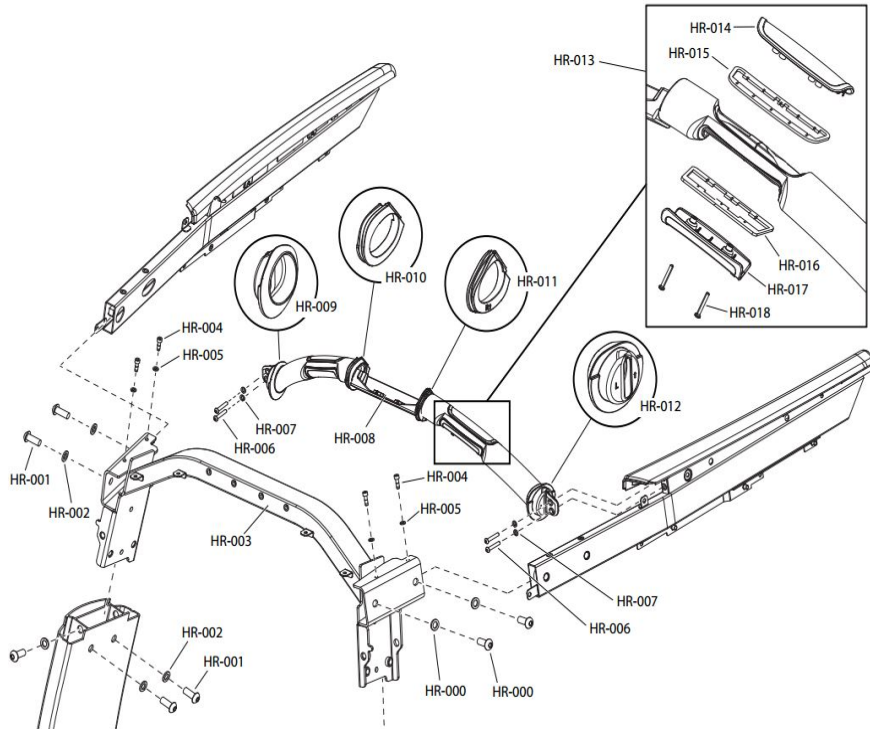


Ref #	Part Number	Qty	Description
CBL-001	AK70-00092-0000	1	CABLE ASSY: CAT5E, V2, 84 INCH
CBL-002	AK65-00062-0000	1	Cable: Coax RG6 Base
CBL-003	AK92-00031-0000	1	CONSOLE TO PCB CABLE ASSEMBLY
CBL-004	AK65-00047-0000	1	Cable: Lifepulse Ergobar
CBL-005	AK58-00036-0000	1	Cable-Assembly: Emergency-Stop Switch
CBL-007	AK58-00034-0001	1	Console Power Cable
CBL-008	AK58-00560-0000	1	Stride Sensor Assembly
CBL-009	AK65-00074-0000	1	Cable: Home Switch
CBL-010	AK58-00521-0000	1	Power Cable: 200-240V
CBL-011	AK65-00117-0000	1	Cable: Coded Polar To Tread MIB Extension
CBL-012	AK92-00060-0000	1	CBL ASSY: AC POWER FOR 24V BRICK EXTERNAL
CBL-013	0017-00003-1091	1	POWER SUPPLY: 24VDC, 5A
CBL-014	AK65-00095-0000	1	Cable Assembly: Filter To Switch
CBL-015	AK92-00066-0000	1	CABLE ASSEMBLY: EXTERNAL POWER; TREADMILL
CBL-016	AK92-00040-0000	1	CABLE ASSY: AC POWER INPUT
CBL-017	AK26-00348-0000	1	Cable: Jumper; Ground
CBL-018	AK58-00224-0001	1	Cable: MOV; Fliter
CBL-019	AK58-00263-0000	1	Hi-Pot Jumper Cable
CBL-020	AK65-00103-0002	1	CBL ASSY: GROUND, ESD
CBL-021	AK92-00057-0000	1	CABLE ASSY: POWER, 220-240V, PCST

Heart Rate System - Ergo Bar Components

Heart Rate System

Ergo Bar Components

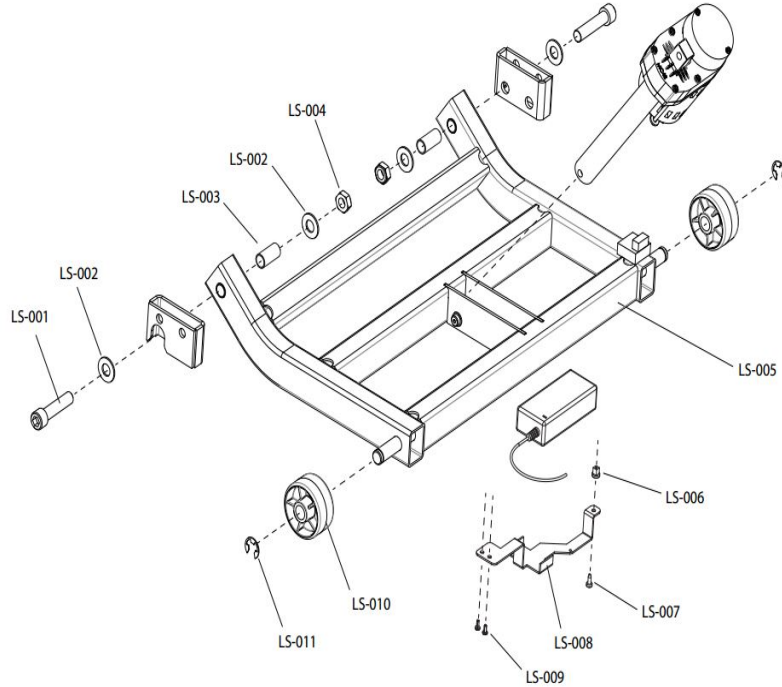


Ref #	Part Number	Qty	Description
HR-001	0017-00101-2110	10	M12X1.75X30 DIN HXS BUT CS ST ZB
HR-002	0017-00104-0489	10	Hardware: Washer 20.75 MM OD
HR-003	AK65-00129-0000	1	Bridge Weldment with AVK
HR-004	0017-00101-1902	4	Hardware: Screw 20 MM
HR-005,HR-007	0017-00104-0488	8	Hardware: Flat Washers 11.5 MM OD
HR-006	0017-00101-1954	4	Hardware: Mounting Screw 35MM
HR-008	AK65-00014-2400	1	ASSY: ERGOBAR; CHGR
HR-009	0K65-01203-0701	1	GASKET:ERGOBAR: HANDRAIL; RH; BLK
HR-010	0K65-01204-0702	1	GASKET:ERGOBAR;ACTIVITY ZONE; LH; BLK
HR-011	0K65-01204-0701	1	GASKET:ERGOBAR;ACTIVITY ZONE; RH; BLK
HR-012	0K65-01203-0702	1	GASKET:ERGOBAR: HANDRAIL; LH; BLK
HR-014	AK65-00016-2401	2	ASSY: ELECTRODE; HR; TOP; CHGR
HR-015	0K65-01270-0000	2	GASKET: TOP SENSOR; PURCH
HR-016	0K65-01269-0000	2	GASKET: BOTTOM SENSOR; PURCH
HR-017	AK65-00016-2402	2	ASSY: ELECTRODE; HR; BOTTOM; CHGR
HR-018	0017-00101-2054	2	Hardware: Screw 1"

Lift System - Lift Frame and Wheels

Lift System

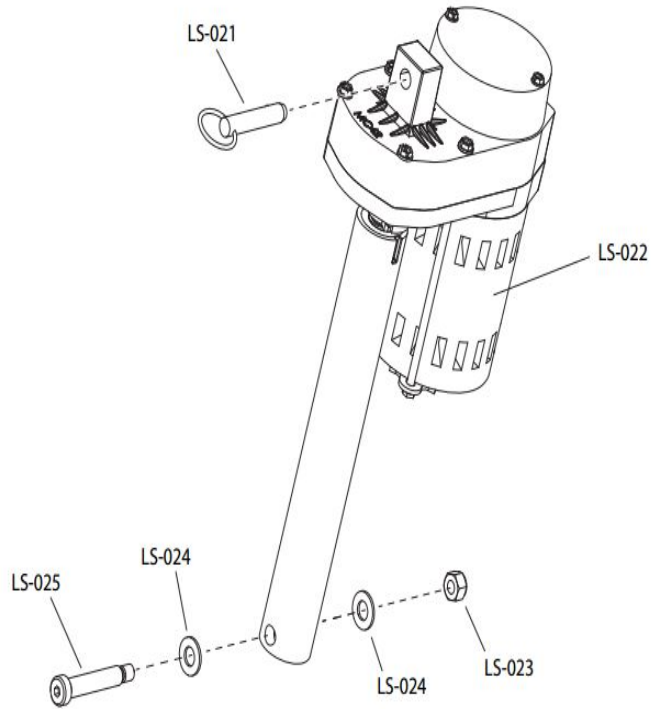
Lift Frame and Wheels



Ref #	Part Number	Qty	Description
LS-001	0017-00101-1777	2	Hardware: Lift Frame Mounting Bolt 2.75"
LS-002	0017-00104-0259	4	Hardware: Washer 1.331" OD
LS-003	0K65-01242-0000	2	Sleeve Bushings
LS-004	0017-00103-0285	2	Hardware: Nut 5/8" ID
LS-005	AK65-00137-0000	1	Painted Lift Frame Weldment
LF-006	0017-00042-0326	1	Hardware: Plastic Grommet
LF-007	0017-00101-1776	1	Hardware: Mounting Screw 0.5"
LF-008	0K92-01077-0000	1	BRACKET; POWER BRICK
LF-009	0017-00101-1968	2	Hardware: Ground Screws 10MM
LS-010	0K65-01245-0000	2	Lift Wheels
LS-011	0017-00100-0249	2	Snap Ring

Lift System - Lift Motor and Hardware

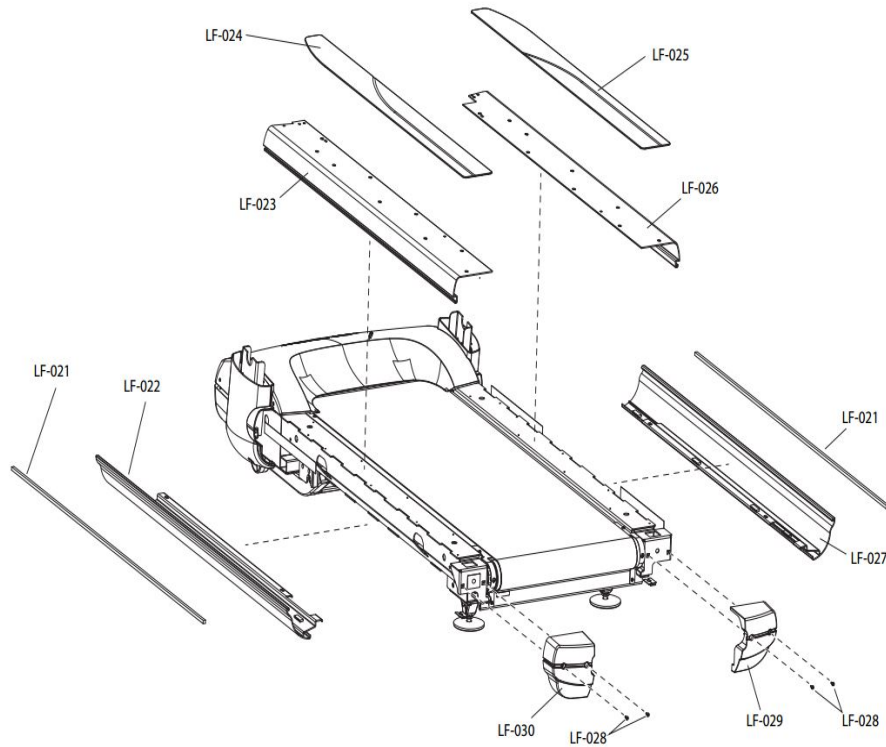
Lift Motor and Hardware



Ref #	Part Number	Qty	Description
LS-021	0017-00007-0275	1	Hardware: Ring Grip Pin
LS-022	0K65-01192-0002	1	Actuator: Linear 230 VAC NOM.
LS-023	0017-00103-0027	1	Hardware: Locking Nut. 5/16" ID
LS-024	0017-00104-0043	2	Hardware: Flat Washer 0.734" OD
LS-025	0017-00101-2038	1	Hardware: Bolt 2"

Lower Frame - Anti-Slip Pad, Extrusions and Rear End Caps

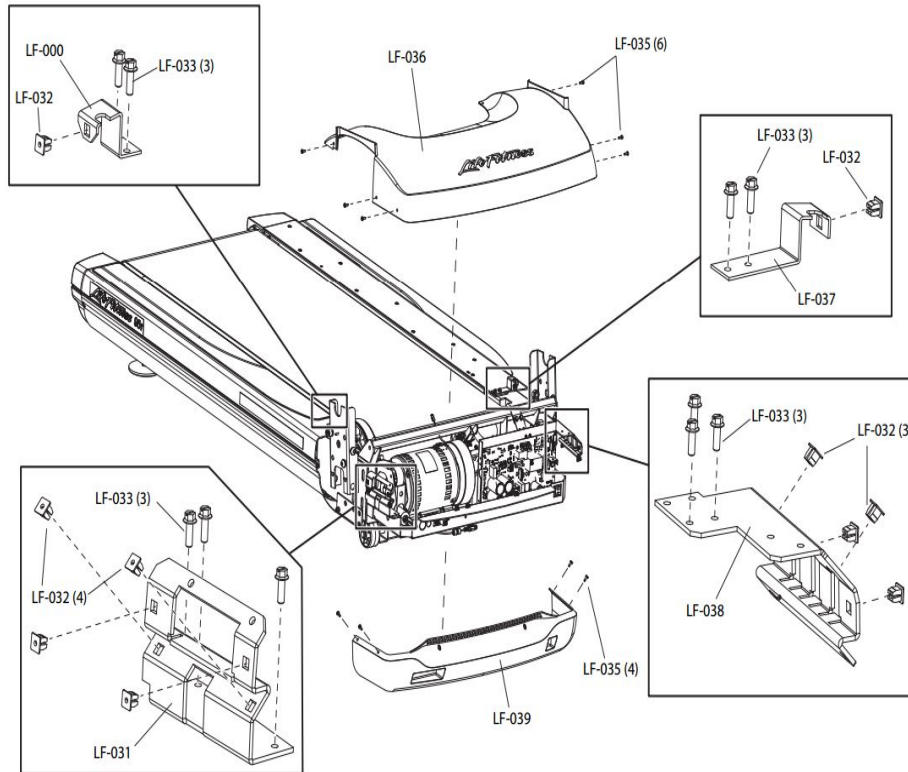
Anti-Slip Pad, Extrusions and Rear End Caps



Ref #	Part Number	Qty	Description
LF-021	0K65-01354-0000	2	SPACER: LOWER EXTRUSION
LF-022	AK65-00093-2104	1	ASSY: EXTRUSION; LOWER FRAME; LH; PLWT
LF-023	AK65-00076-2104	1	ASSY: EXTRUSION; LT; PLWT
LF-026	AK65-00076-2103	1	ASSY: EXTRUSION; RT; PLWT
LF-027	AK65-00093-2103	1	ASSY: EXTRUSION; LOWER FRAME; RH; PLWT
LF-028	0017-00101-1776	4	Hardware: Mounting Screw 0.5"
LF-029	0K65-01065-2401	1	END CAP: REAR; RH; CHGR
LF-030	0K65-01065-2402	1	END CAP: REAR; LH; CHGR
LF-041	0017-00042-1142	2	Push Rivets
LF-042	0K65-01353-0000	2	BRACKET:LOWER EXTRUSION SUPPORT
LF-043	0017-00101-2011	4	Hardware: Screw 10MM
LF-044	AK65-00124-0000	2	Assembly: End Cap Clip
	0K65-01190-2403	1	RAIL: ANTI SLIP; RH
	0K65-01190-2404	1	RAIL: ANTI SLIP; LH

Lower Frame - Motor Covers, Brackets and Mounting Hardware

Motor Covers, Brackets and Mounting Hardware

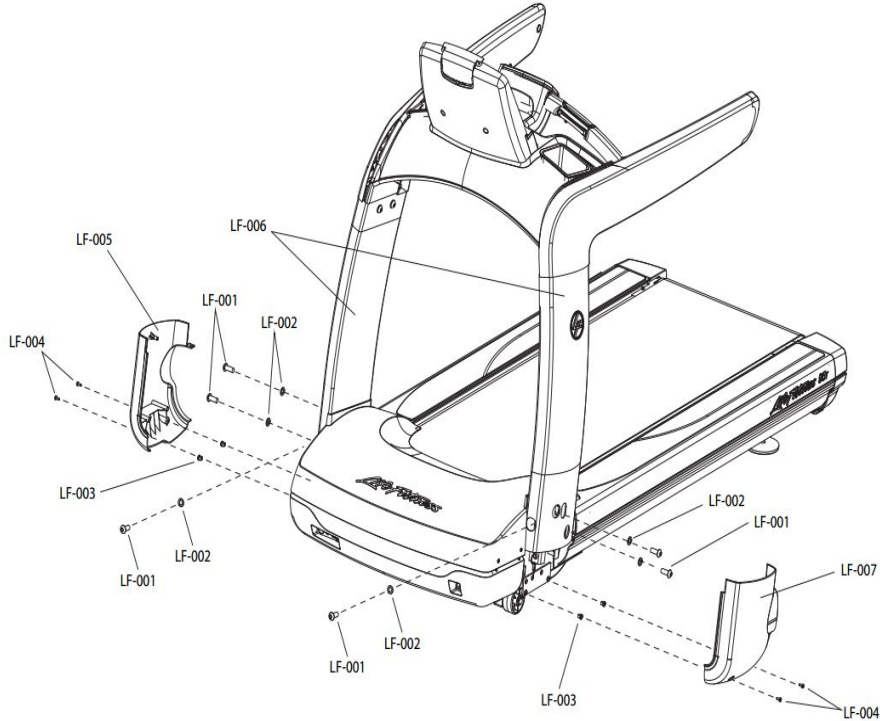


Ref #	Part Number	Qty	Description
LF-031	0K65-01134-0001	1	Motor Cover Bracket
LF-032	0017-00042-1147	4	Hardware: Nylon Grommet
LF-033	0017-00101-1961	3	Hardware: Mounting Screw 16MM
LF-034	0K65-01135-0001	1	Rear Motor Cover Bracket Right
LF-035	0017-00101-1776	6	Hardware: Mounting Screw 0.5"
LF-036	0K65-01125-2400	1	COVER: MOTOR; SHROUD; TOP; CHGR
LF-037	0K65-01135-0002	1	Rear Motor Cover Bracket Left
LF-038	0K65-01134-0002	1	Left Front Motor Cover Bracket
LF-039	0K65-01126-2401	1	COVER: MOTOR; BOTTOM; CHGR
LF-040	0K65-01297-0000	1	Line Cord Bracket

Lower Frame - Uprights and Covers

Lower Frame

Uprights and Covers



Ref #	Part Number	Qty	Description
LF-001	0017-00101-1984	6	Hardware: Bridge Weldment Mounting Screw 30MM
LF-002	0017-00104-0489	6	Hardware: Washer 20.75 MM OD
LF-003	0017-00042-0326	4	Hardware: Plastic Grommet
LF-004	0017-00101-1776	4	Hardware: Mounting Screw 0.5"
LF-005	0K65-01127-2401	1	COVER: UPRIGHT; RH; CHGR
LF-006	AK65-00069-2101	1	ASSY: UPRIGHT W/BUG AND DECALS; PLWT PCS
LF-007	0K65-01127-2402	1	COVER: UPRIGHT; LH; CHGR

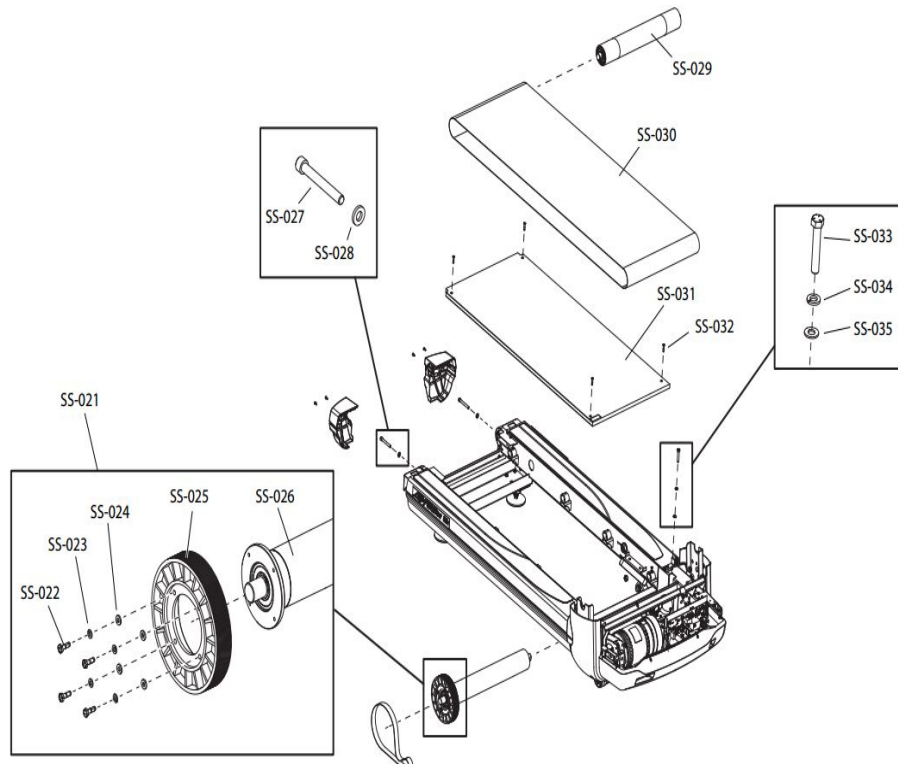
Miscellaneous

Ref #	Part Number	Qty	Description
MISC-001	0017-00021-2740	1	CSAFE Splitter
MISC-002	0017-00101-1769	2	Hardware: Phillips Pan Screw 0.75"
MISC-003	0017-00101-1902	13	Hardware: Screw 20 MM
MISC-004	0017-00101-1954	2	Hardware: Mounting Screw 35MM
MISC-005	0017-00101-1984	12	Hardware: Bridge Weldment Mounting Screw 30MM
MISC-006	0017-00101-1953	44	Hardware: Mounting Screw 14MM
MISC-007	0017-00101-1776	8	Hardware: Mounting Screw 0.5"
MISC-008	0017-00101-2108	6	SCR: M5X0.80X14MM SEMS PHL PHMS ST BZ
MISC-009	0017-00101-2022	4	Hardware: M6 X 1.00 - 6G6G X 25 HEX BUT L MS ST ZB
MISC-010	0017-00104-0488	11	Hardware: Flat Washers 11.5 MM OD
MISC-011	0017-00104-0489	12	Hardware: Washer 20.75 MM OD
MISC-012	0017-00008-0224	1	PEARLESCENT TOP COAT FOR PEARLESCENT WHITE AEROSOL
MISC-012	0017-00008-0223	1	WHITE BASE COAT FOR PEARLESCENT WHITE AEROSOL
MISC-012	0017-00008-0231	1	CHARCOAL GRAY AEROSOL
MISC-013	0017-00008-0225	1	WHITE BASE COAT FOR PEARLESCENT WHITE TOUCH UP
MISC-013	0017-00008-0226	1	PEARLESCENT TOP COAT FOR PEARLESCENT WHITE TOUCH UP
MISC-013	0017-00008-0232	1	CHARCOAL GRAY TOUCH UP
MISC-014	0017-00008-0206	1	.33oz Pen - Arctic Silver

Ref #	Part Number	Qty	Description
MISC-015	0017-00003-0980	1	Line Cord: US Low Voltage 144"
MISC-016	0017-00003-0781	1	Line Cord: US High Voltage
MISC-016	0017-00003-1075	1	LINE-CORD: 220V, 15A, RIGHT ANGLE
MISC-017	0017-00003-0696	1	Line Cord: International High Voltage (Cont.) 103"
MISC-018	0017-00003-0890	1	Line Cord: UK
MISC-019	0017-00003-0996	1	Line Cord: Australia 230/50
MISC-020	0017-00003-1014	1	Line Cord China 10A 250 V
MISC-021	0K65-01297-0000	1	Line Cord Bracket
MISC-022	0017-00101-1968	1	Hardware: Ground Screws 10MM
MISC-023	0017-00042-1194	8	Clip: Fastener: Dual Lock; Reclosalbe; Purchased
MISC-024	0017-00003-1079	1	LINECORD NEMA 5-15P WITH R/A C-19 CONNECTOR

Stride (Walking) System - Belt, Deck and Rollers

Belt, Deck and Rollers

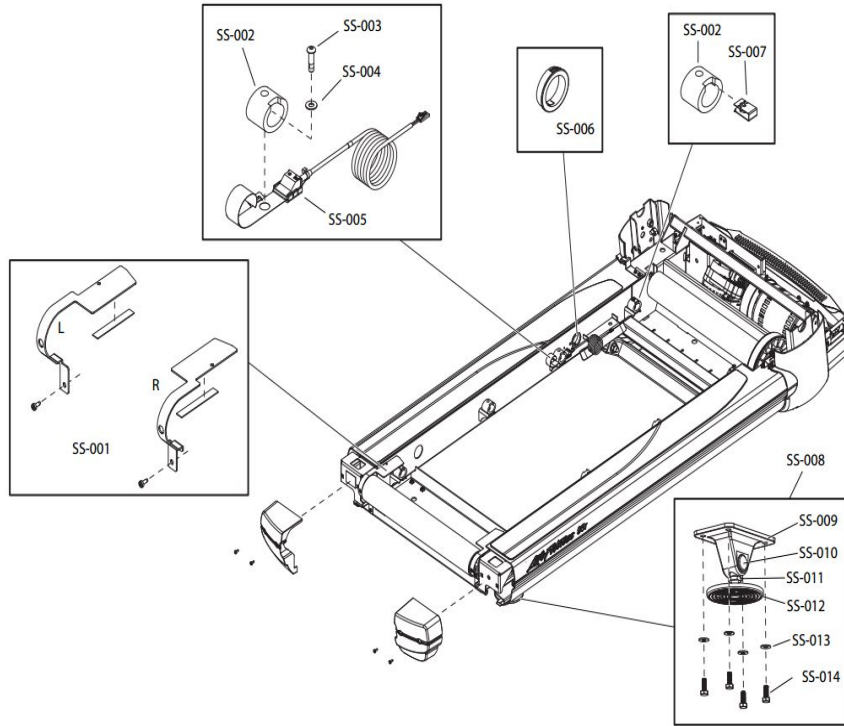


Ref #	Part Number	Qty	Description
SS-021	AK65-00067-0000	1	Front Roller Assembly Domestic
SS-022	0017-00101-1632	4	Hardware: Hex Bolt 0.875"
SS-023	0017-00104-0330	4	Hardware: Flat Washers 0.562" OD
SS-024	0017-00104-0005	4	Hardware: Lock Washer 0.489" OD
SS-025	0K58-01105-0000	1	Drive Pulley Poly V - 8"
SS-026	0K65-01195-0000	1	Front Roller Domestic - 3.5" Diameter
SS-027	0017-00101-1880	2	Hardware: Tension Bolts 3"
SS-028	0017-00104-0492	2	Hardware: Flat Washer 750" OD
SS-029	0K65-01199-0000	1	Rear Roller Domestic - 3.5" Diameter
SS-030	0K65-01002-0000	1	Striding Belt - 95T
SS-031	0K65-01263-0000	1	Deck
SS-032	0017-00101-1775	4	Hardware: Deck Screws 1.25"
SS-033	0017-00101-0974	1	Hardware: Mounting Bolt 2"
SS-034	0017-00104-0006	1	Hardware: Lock Washer 0.683" OD
SS-035	0017-00104-0043	1	Hardware: Flat Washer 0.734" OD

Stride (Walking) System - Deck Springs, Stride Sensor, Roller Guards, Leg Leveler Assembly

Stride (Walking) System

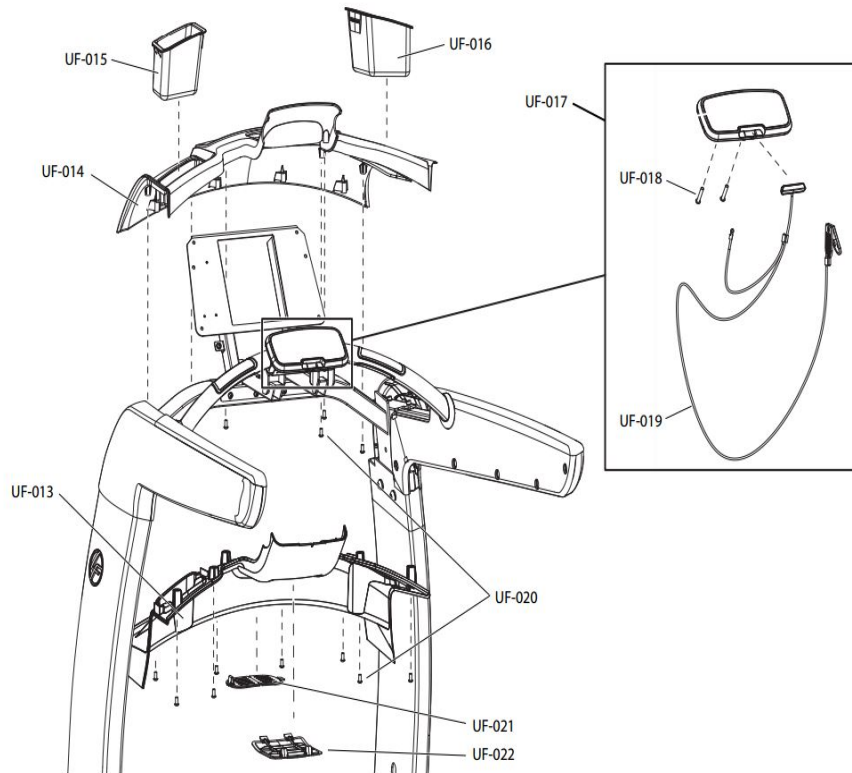
Deck Springs, Stride Sensor, Roller Guards, Leg Leveler Assembly



Ref #	Part Number	Qty	Description
SS-001	GK65-00002-0001	1	Roller Guard Kit
SS-002	0K40-01026-0002	8	Deck Spring
SS-003	0017-00101-1652	8	Hardware: Spring Mounting Screw 1"
SS-004	0017-00104-0072	8	Hardware: Flat Washer 0.562" OD
SS-005	AK58-00560-0000	1	Stride Sensor Assembly
SS-006	0017-00042-1180	1	Hardware: Snap Bushing - 1.75"
SS-007	0017-00103-0198	4	Hardware: Tinnerman Clip 1/4" ID
SS-008	AK58-00370-0000	2	Leveler Assembly
SS-009	0K58-01083-0000	2	Leveler Bracket
SS-010	0K58-01098-0000	2	Hardware: Pivot Pin
SS-011	0K58-01099-0000	2	Hardware: Stop Nut
SS-012	0K58-01110-0000	2	Leveler Foot
SS-013	0017-00104-0159	8	Hardware: Flat Washer 0.75" OD
SS-014	0017-00101-1945	8	Hardware: Bolt 20 MM

Upper Frame - Bridge Cover and Activity Zone

Bridge Cover and Activity Zone



Ref #	Part Number	Qty	Description
UF-013	AK65-00086-2400	1	ASSY: BRIDGE COVER; BOTTOM; CHGR
UF-014	0K65-01051-2400	1	HOUSING: BRIDGE TOP INSERTS; CHGR
UF-015	0K65-01174-2402	1	CUPHOLDER: LT: CHGR
UF-016	0K65-01174-2401	1	CUPHOLDER: RT: CHGR
UF-017	AK65-00015-2402	1	ASSY: ACTIVITY; CHGR
UF-018	0017-00101-1954	2	Hardware: Mounting Screw 35MM
UF-019	AK65-00037-0002	1	TETHER: STOP SWITCH & CLIP
UF-020	0017-00101-1953	10	Hardware: Mounting Screw 14MM
UF-021	0K65-01208-2400	1	DOOR: ACCESS; BRIDGE; CHGR
UF-022	0K65-01053-2400	1	DOOR: BEZEL ACCESS: CHGR

Upper Frame - Handrail and Covers

Ref #	Part Number	Qty	Description
UF-001	0K65-01225-0700	10	PLUG; GROMMET; BLK
UF-002,UF-005	0017-00101-1953	22	Hardware: Mounting Screw 14MM
UF-003	0K65-01168-2402	1	HANDRAIL;INNER SHELL; LH; CHGR
UF-004	0K65-01168-2401	1	HANDRAIL: INNER SHELL; RH; CHGR
UF-006	AK65-00077-0002	1	Left Handrail Assembly
UF-007	AK65-00077-0001	1	Right Handrail Assembly
UF-008	0K65-01167-2402	1	HOUSING: HANDRAIL;OUTER; LH; CHGR
UF-009	0K65-01167-2401	1	HOUSING: HANDRAIL; OUTER; RH; CHGR

