

Simple Total Body Arc Base

PFTTTS-ALLXX-5801

Parts Manual

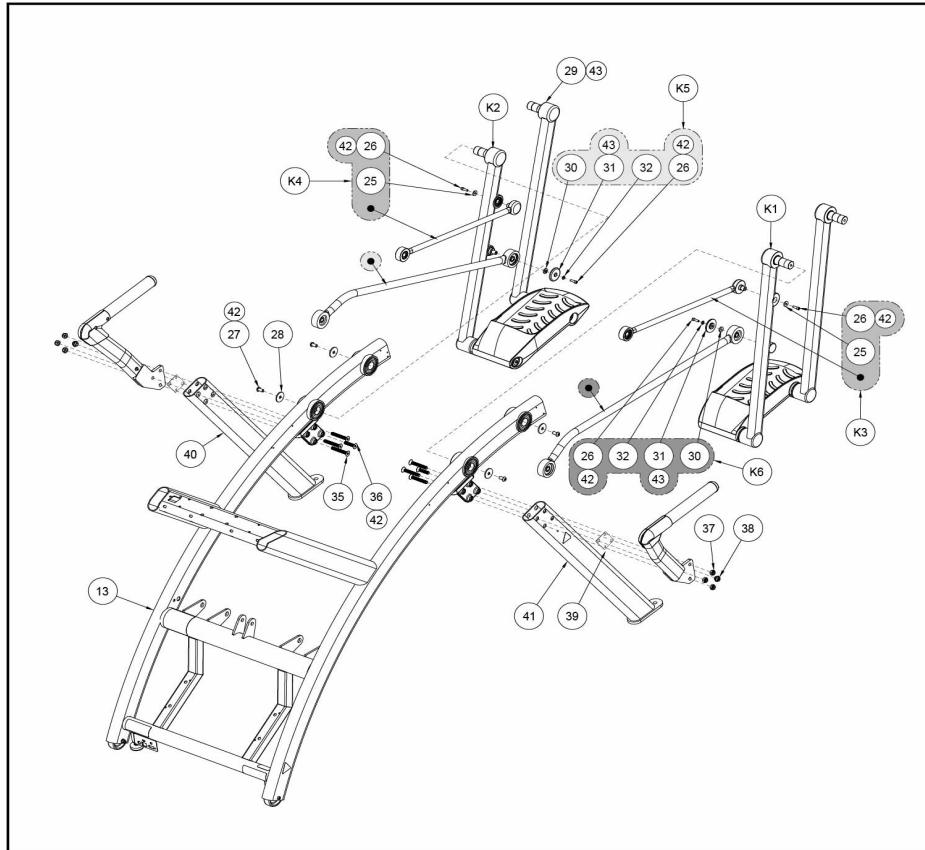
1/5/2019 15:47:12 PM



Table of Contents

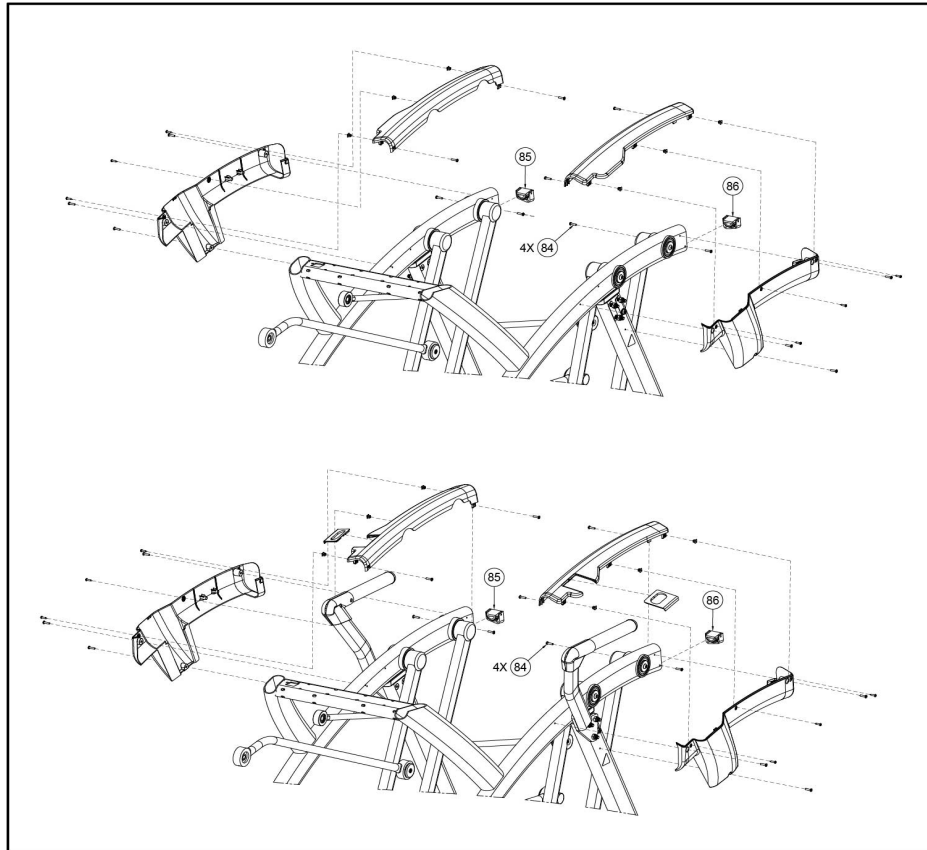
ARC, RUFFIAN, BASE, TB.....	3
ARC, RUFFIAN, BUMPERS.....	4
ARC, RUFFIAN, CONSOLE HW, LF.....	5
ARC, RUFFIAN, CONSOLE MOUNT, LF/PF, TB, BASIC.....	6
ARC, RUFFIAN, CONSOLE TRAY.....	7
ARC, RUFFIAN, DECALS, PLANET FITNESS.....	8
ARC, RUFFIAN, DRIVE ASSY.....	9
ARC, RUFFIAN, FOOTPLATE.....	11
ARC, RUFFIAN, FRAME, TB.....	12
ARC, RUFFIAN, HANDLE ARMS, STD. HARDWARE.....	13
ARC, RUFFIAN, HANDLE, LH, STRAIGHT.....	14
ARC, RUFFIAN, HANDLE, RH, STRAIGHT.....	15
ARC, RUFFIAN, LOWER ELECTRONICS.....	16
ARC, RUFFIAN, SIDE COVER HW, TB.....	17
ARC, RUFFIAN, SIDE COVER, TB, CY.....	18
ARC, RUFFIAN, STD. CABLING, TB.....	19
ARC, RUFFIAN, TLA DRIVE ASSY.....	20
ARC, RUFFIAN, WIRING DIAGRAM, BASIC.....	21

ARC, RUFFIAN, BASE, TB



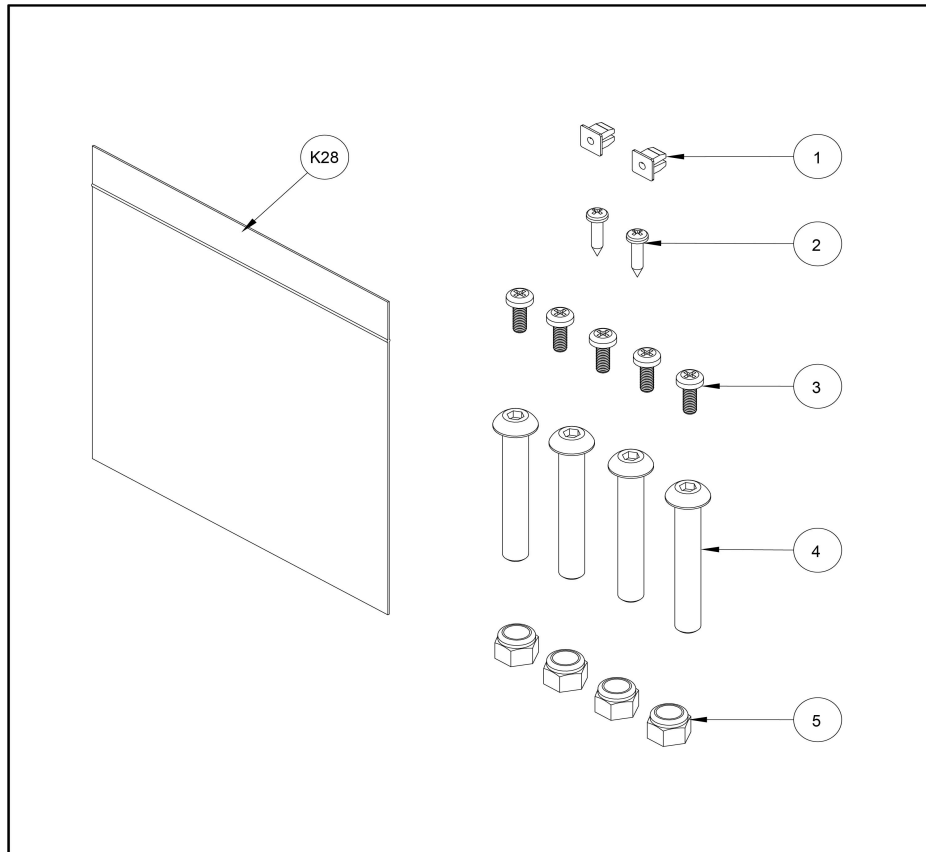
Ref #	Part Number	Qty	Description
K1	1009566-0001	1	KIT: FOOTPLATE ARM, LH
K2	1009567-0001	1	KIT: FOOTPLATE ARM, RH
K3	1009424-0001	1	KIT, ARM HANDLE LINKAGE, LH
K4	1009425-0001	1	KIT ARM HANDLE LINKAGE RH
K5	1009423-0001	1	KIT, LINKAGE ROD RIGHT- Black Wrinkle
K6	1009422-0001	1	KIT, LINKAGE ROD LEFT- Black Wrinkle
25	HS307603	2	WASHER FLAT .253 ID X .750 OD X .120
26	HX622815	6	SHCS .250-20 X .75 SS
27	HC700415	4	BHSCS .375-16 X .75
28	HS347602	4	WASHER .390 X 1.500 X .124 FLAT
29	770A-204	2	W/ FOOT PLATE ARM, REAR
30	600A-311	4	SPACER FLANGE
31	600AK012	4	KIT LINKAGE CAP
32	HS307601	4	WASH FLAT .281 .500 .062 T
35	1006745-0003	6	BOLT, FLAT HEAD, M10 X 1.5
36	1006745-0001	2	BOLT, FLAT HEAD, M10 X 1.5
37	0017-00103-0334	6	Hardware: Nut 10 MM
38	7335401	2	Hardware: Nut 10 MM ID
39	1007078-0001	4	PLATE, SPACER, CRUISER HANDLE
40	1006818-0000	1	WLDMT, REAR LEG ARC, RH
41	1006817-0000	1	WLDMT, REAR LEG ARC, LH
42	YA000201	1	ADH THRD LKR REM .02 OZ 242

ARC, RUFFIAN, BUMPERS



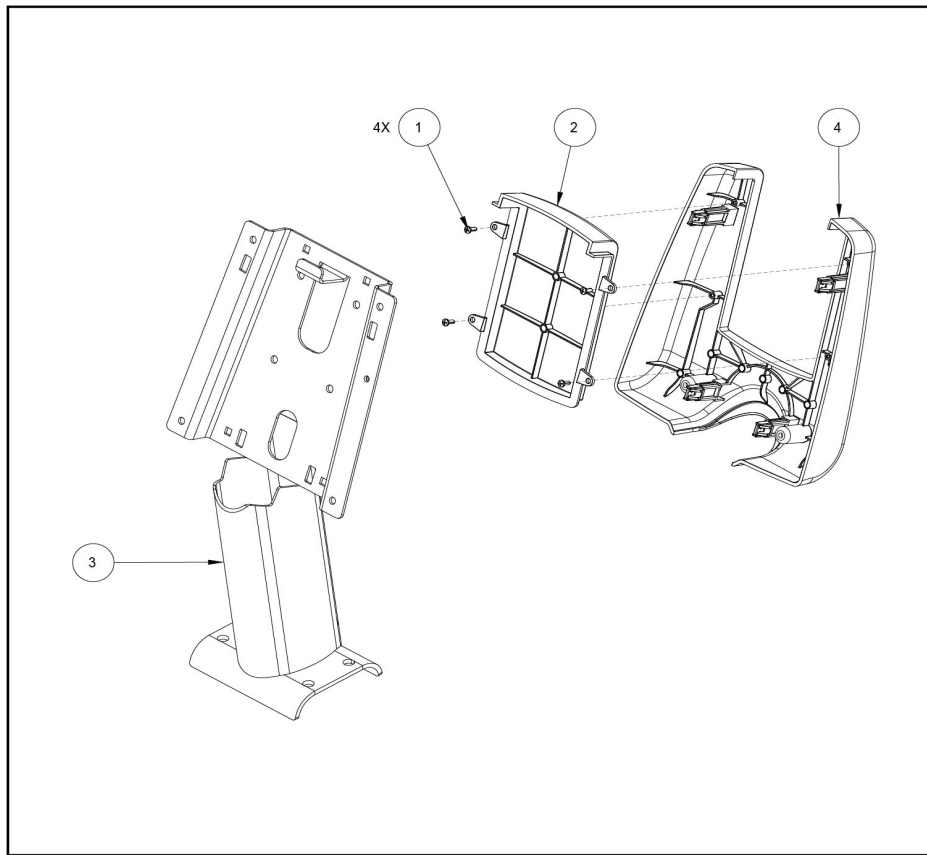
Ref #	Part Number	Qty	Description
83	HT572515	4	SCREW, PAN HEAD PHILIPS 10-24 X .75 TYPE 23, BLK
84	1008809-0001	1	BUMPER: REAR PLASTIC SUPPORT, RH
85	1008810-0001	1	BUMPER: REAR PLASTIC SUPPORT, LH

ARC, RUFFIAN, CONSOLE HW, LF



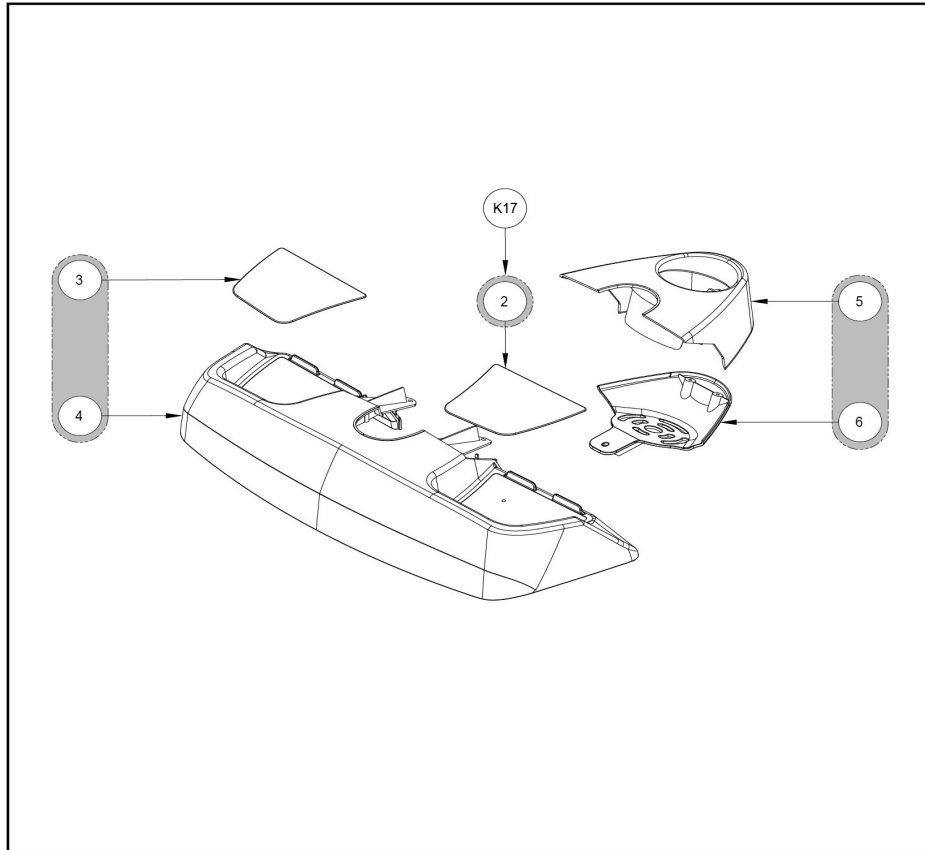
Ref #	Part Number	Qty	Description
1	0017-00042-1147	2	Hardware: Nylon Grommet
2	0017-00101-1796	2	Hardware: Mounting Screw 19 MM
3	0017-00101-1940	5	Hardware: Screw 14MM
4	HC700430	4	BHSCS .375-16 X 2.50
5	HN704901	4	LOCKNUT .375-16 NYLON
K28	773AT-341	1	HARDWARE PACK, 773AT CONSOLE MOUNT, LF

**ARC, RUFFIAN, CONSOLE MOUNT, LF/PF, TB,
BASIC**



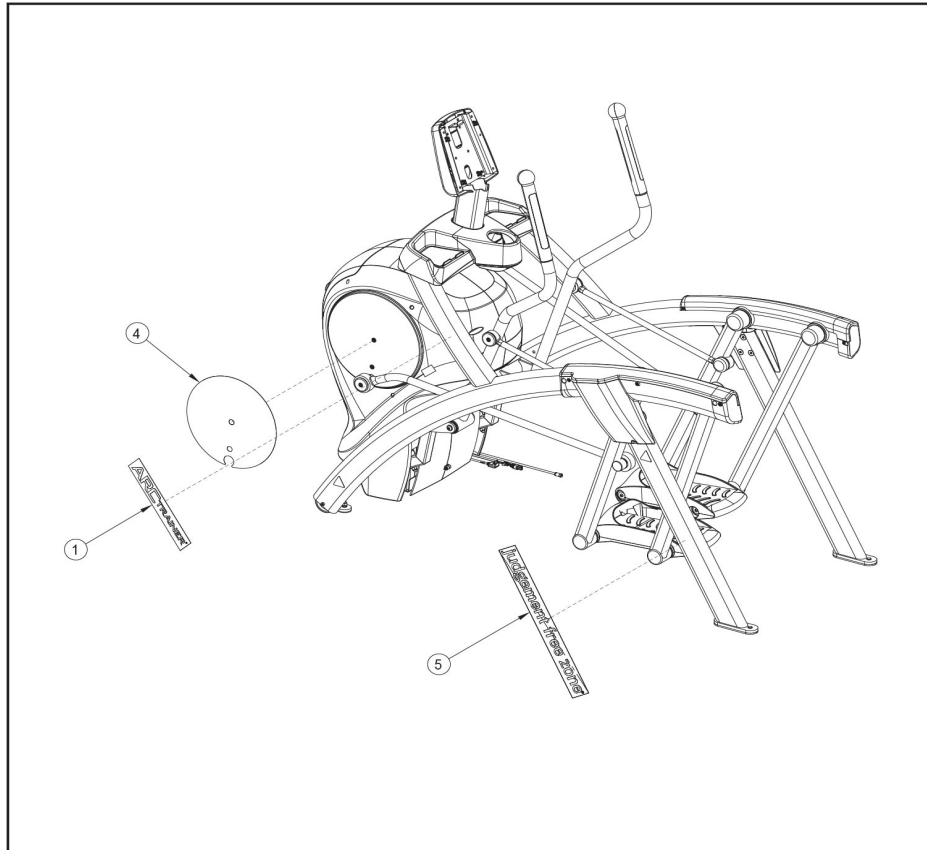
Ref #	Part Number	Qty	Description
1	0017-00101-1650	4	Hardware: Phillips Pan Screw 0.375"
2	1007407-0001	1	ASSEMBLY: SHROUD, REAR, FILLER
3	773AT-200	1	W CONSOLE MOUNT
4	773AT-315	1	CONSOLE, BACK SHROUD

ARC, RUFFIAN, CONSOLE TRAY



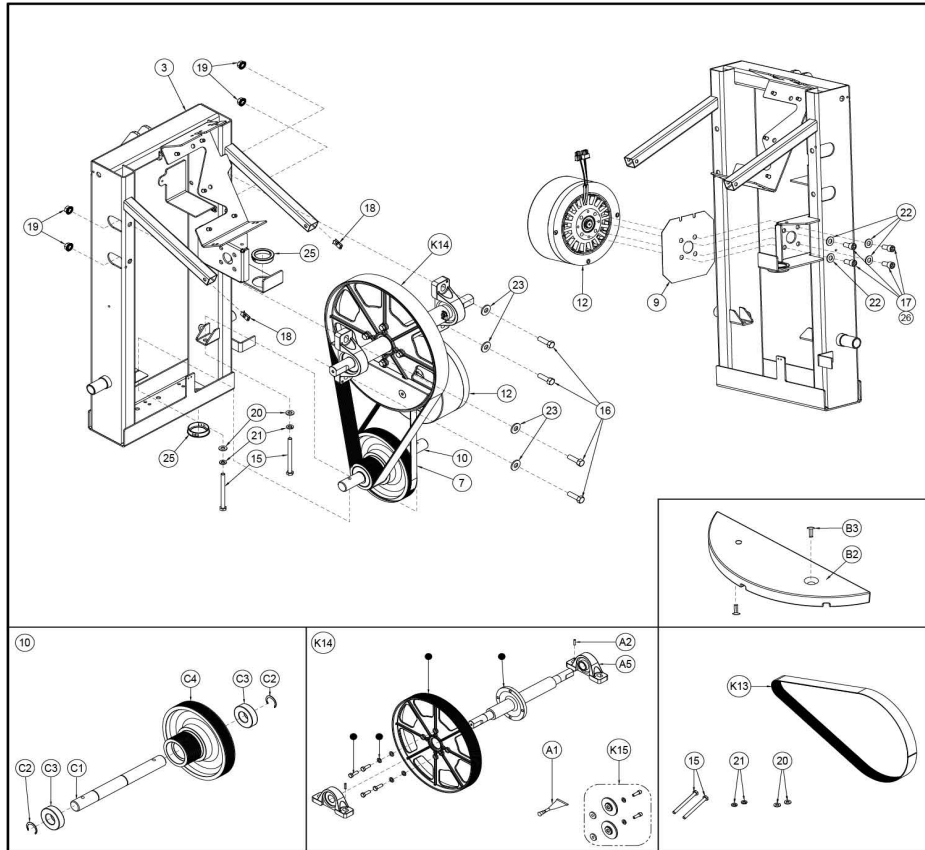
Ref #	Part Number	Qty	Description
2	773AT-326	1	DECAL 773AT, LH
3	773AT-327	1	DECAL 773AT, RH
4	770A-316-24LF	1	BASE, ACCESSORY TRAY
5	770A-317-24LF	1	COVER, TOP, ACCESSORY TRAY
6	770A-318-24LF	1	COVER, BOTTOM, ACCESSORY TRAY
K17	773ATK019	1	KIT, TRAY

ARC, RUFFIAN, DECALS, PLANET FITNESS



Ref #	Part Number	Qty	Description
1	1008186-2400	2	DECAL: ARC TRAINER
4	1007597-0001	2	LABEL: ARC TRAINER, DINNER PLATE, PF
5	1007087-0001	2	DECAL: JFZ TAGLINE, LARGE SIZE

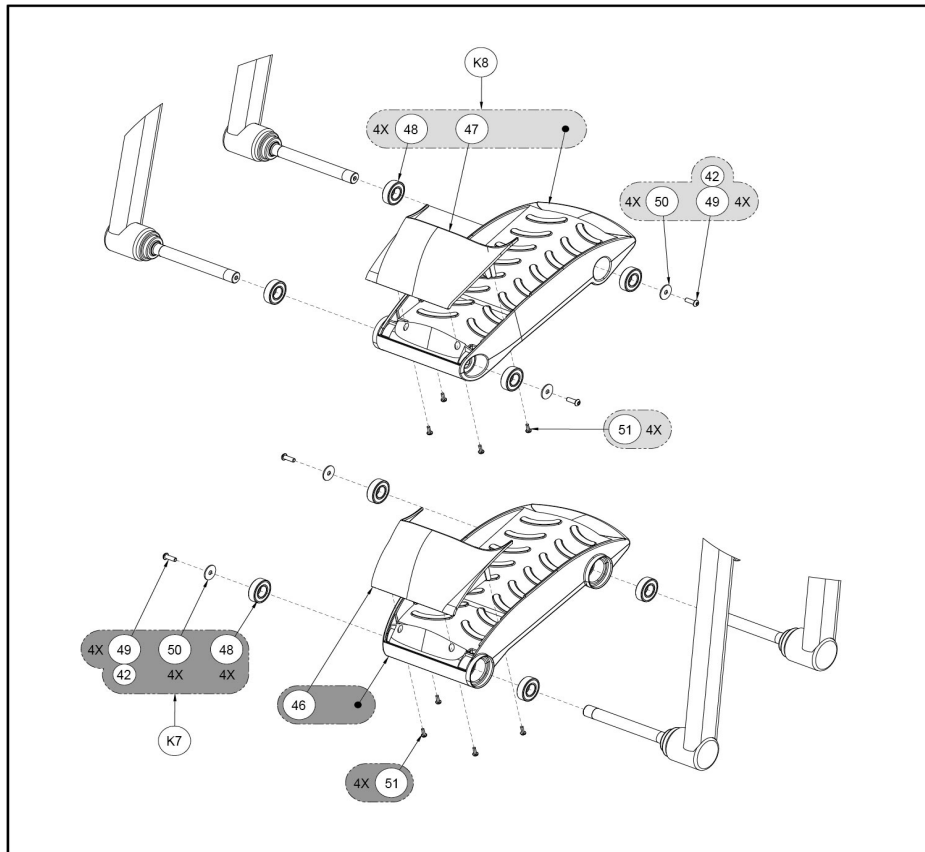
ARC, RUFFIAN, DRIVE ASSY



Ref #	Part Number	Qty	Description
C1	771A-318	1	SHAFT, LOWER
B2	FM-19507	2	COUNTERWEIGHT
C2	BR030221	2	RING RETAINING EXT CRESCENT
A2	HX-17023	2	PIN,SPRING .187X.813 LG,TYPE 420,ST STL
B3	JC700922	2	FHSCS .375-16 X 1.50
C3	FB030243	2	BEARING 25MMIDX52MMOD 6205
C4	600AK014	1	KIT LOWER PULLEY ASSY
A5	600A-340	2	BEARING PILLOW BLOCK 1.00
7	630A-328	1	BELT SECONDARY DRIVE 7 RIB
9	750A-364	1	Spacer Gen Winding
10	771A-110	1	DOUBLE PULLEY ASSY
12	AX-19550	1	ASSEMBLY ECB/GEN
K13	773ATK005	1	KIT, 16 RIB BELT TENSIONING
K14	773ATK006	1	KIT, PULLEY CRANK SHAFT
K15	773ATK007	1	KIT, LINKAGE CAP
15	HC661240	4	HX HD CAP SC .312-18 X 3.75
16	HC701220	4	BOLT,3-8-16X1.25.HXHD
17	HC702815	4	SHCS .375-16 X .750
18	HF579000	2	PANEL FASTENER 10-24 U TYPE
19	HN704001	4	LOCKNUT, .375-16 SERRATED HEX
20	HS327600	4	WASHER SAE .312
21	HS328300	4	LOCKWASHER SPLIT .312

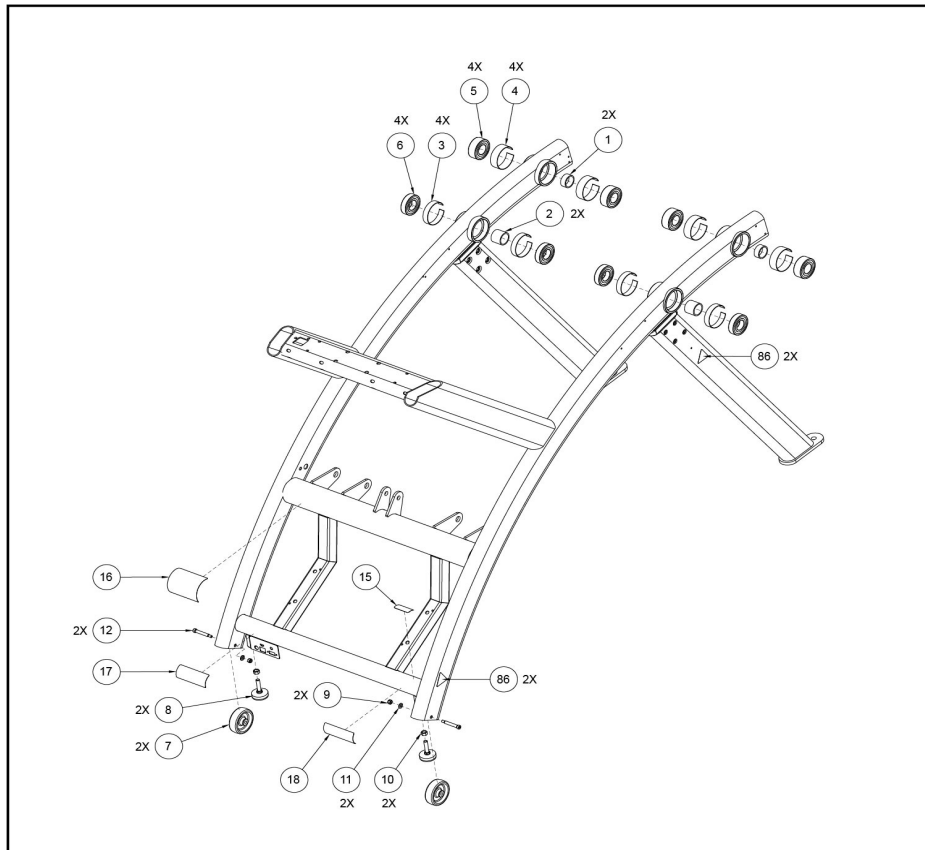
Ref #	Part Number	Qty	Description
22	HS347600	4	WASHER SAE .375
23	HS347700	4	WASHER USS .375
25	HX-17050	2	BUSHING,1.275IDX1.87 OD,NYLON INSULATED
26,A1	YA000201	2	ADH THRD LKR REM .02 OZ 242

ARC, RUFFIAN, FOOTPLATE



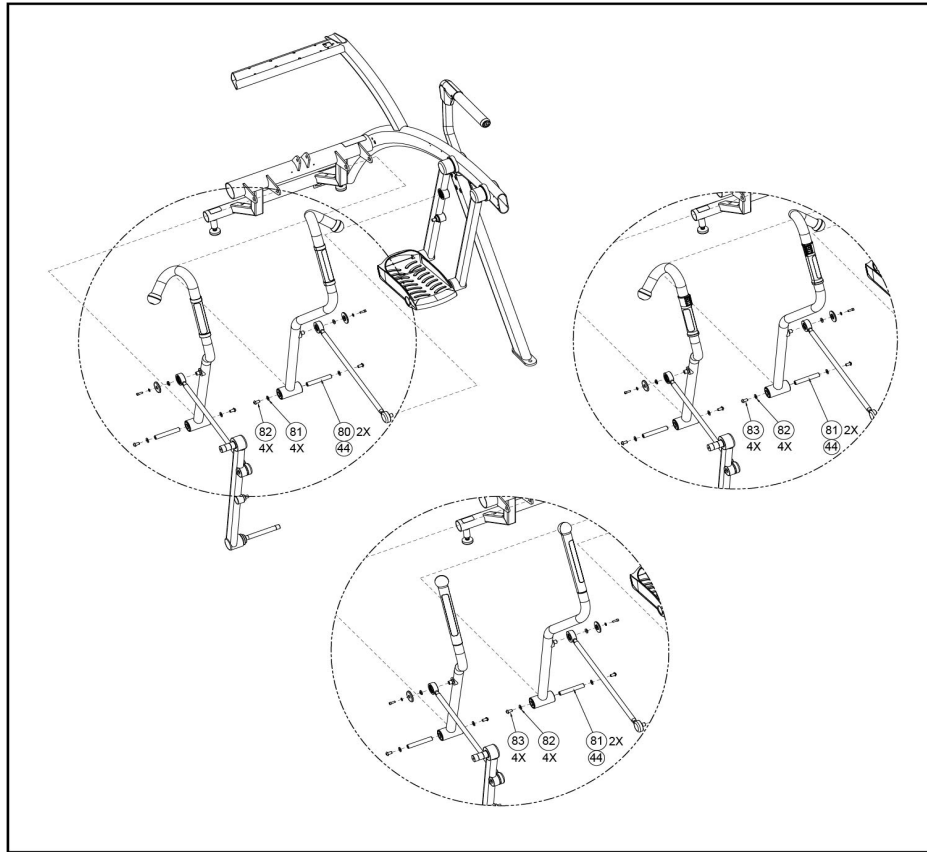
Ref #	Part Number	Qty	Description
K7	773ATK013	1	KIT, FOOT PLATE LEFT
K8	773ATK012	1	KIT, FOOT PLATE RIGHT
42	YA000201	1	ADH THRD LKR REM .02 OZ 242
46	740A-380	1	Toe Cap LH
47	740A-381	1	Toe Cap RH
48	HB-17036	8	BEARING,BALL, .750DIA
49	HC620415	4	BHSCS .250-20 X .75, BL ZN
50	HS307604	4	WASHER, FLAT .281 ID X 1.000 OD X .063 TH BL ZN
51	HT552512	8	TAP SC NO. 8-16 X .50 PLASTITE PAN HEAD PHILLIPS BLACK

ARC, RUFFIAN, FRAME, TB



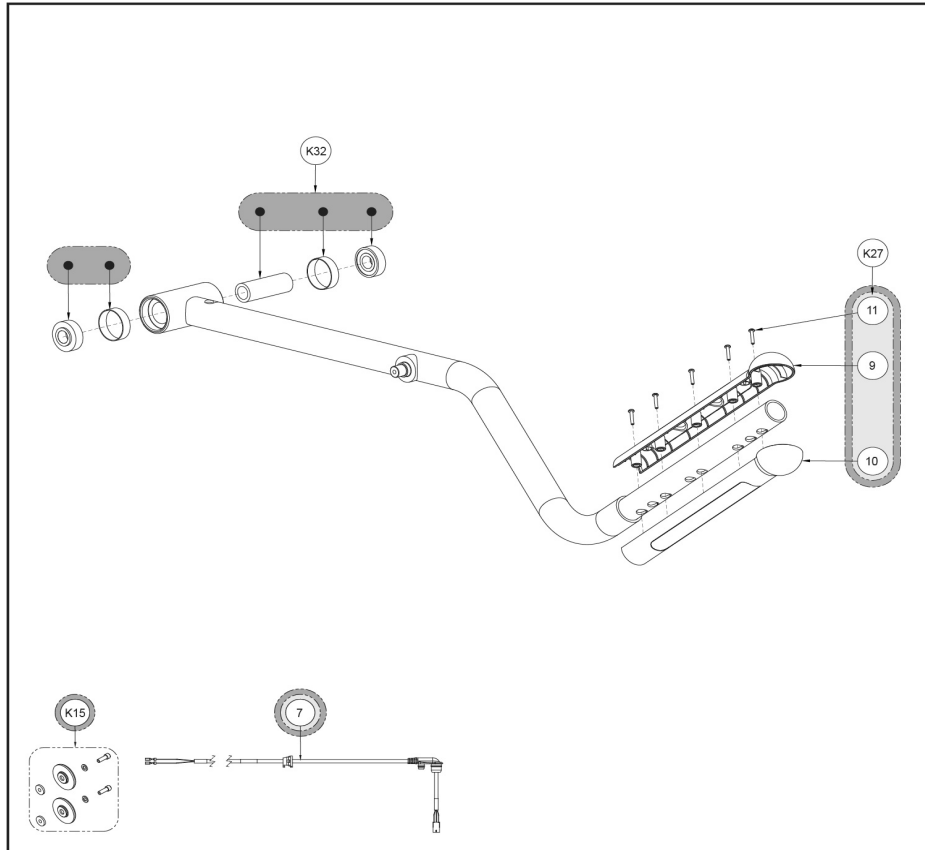
Ref #	Part Number	Qty	Description
1	750A-312	2	Tube Spacer
2	750A-325	2	Tube Spacer
3	FC030003	4	TOLERANCE RING 2.4409 ID
4	FC030011	4	Tolerance Ring .62mm dia
5	FB030256	4	BEARING BALL 1.181 DIA DOUBLE ROW
6	HB-17280	4	BEARING,BALL,SINGLE ROW,6206
7	CW-17231	2	WHEEL, TENSIONER
8	HG700022	2	LEVELING GLIDE 3-8-16
9	HN624901	2	LOCKNUT .250-20 NYLON BLACK ZINC
10	HN704000	2	HEX NUT .375-16
11	HS328300	2	LOCKWASHER SPLIT .312
12	JD623324	2	S BOLT .312 X 1.75 .250-20
15	DE000033-N	1	LABEL: USA CROSSTRAINERR, ARABIC-SAUDI ARABIA
16	525AT-400	1	DECAL, DISCONNECT POWER ENG, FRE, GER, SPA
18	1008360-0001	1	DECAL: COMPLIANCE ARC TRAINER

**ARC, RUFFIAN, HANDLE ARMS, STD.
HARDWARE**



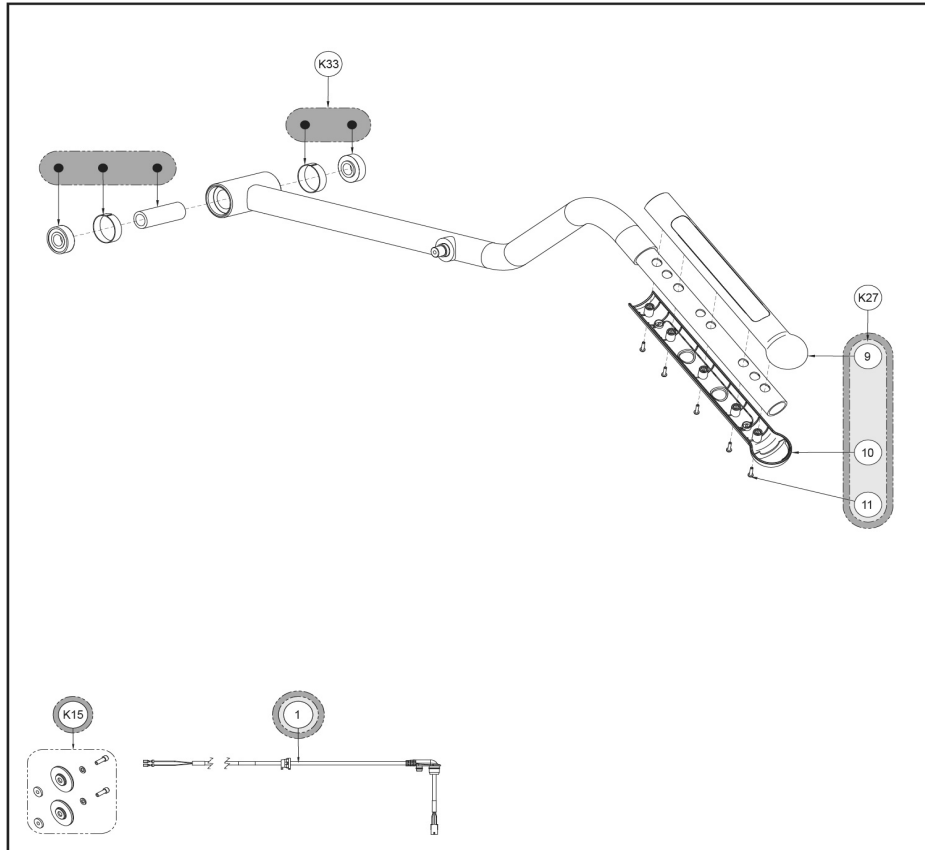
Ref #	Part Number	Qty	Description
80	610A-351	2	PIN PIVOT
81	HS347600	4	WASHER SAE .375
82	HX700415	4	BHSCS .375-16 X .75 SS

ARC, RUFFIAN, HANDLE, LH, STRAIGHT



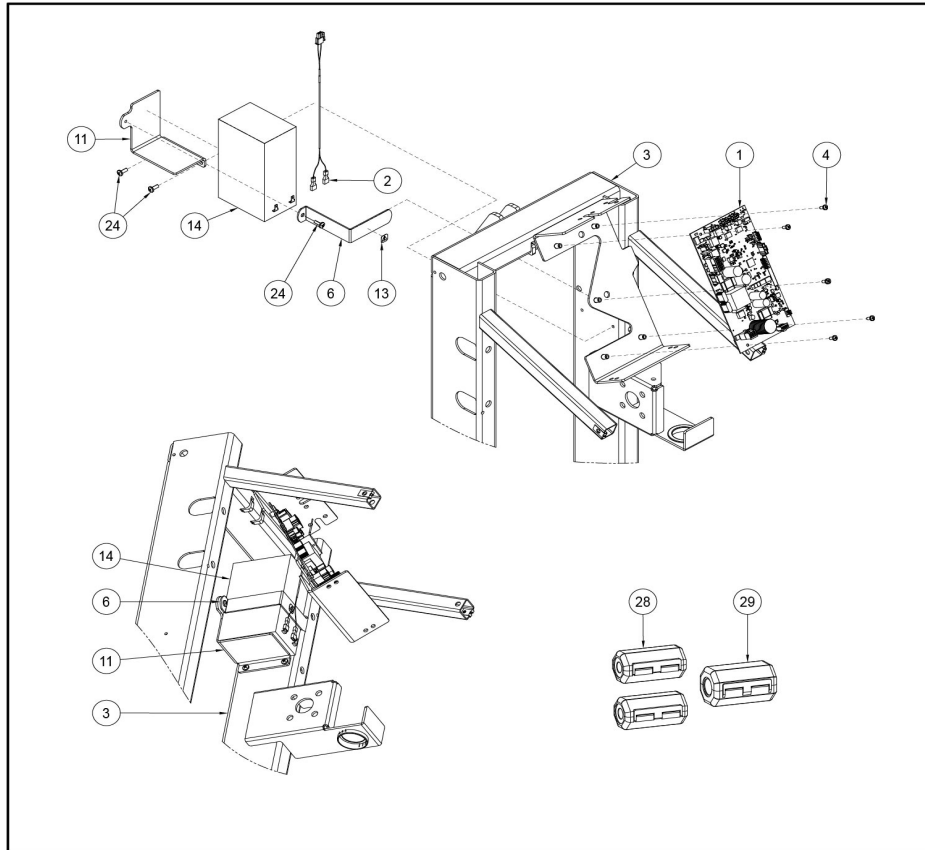
Ref #	Part Number	Qty	Description
7	1006647-0001	1	CABLE: 6XX TB ARC GRIP, ARM
9	425A-379	1	GRIP: CHR BACK, W/SCREWS
10	425A-378	1	GRIP HOUSING WITH METAL PLATEFRONT
11	HT532515	5	PN HD PHIL SC NO 6 X .75 PLASTITE
K15	773ATK007	1	KIT, LINKAGE CAP
K27	1009428-0001	1	KIT, CONTACT GRIPS WITH WIRES
K32	1009614-0005	1	KIT: HANDLE, ARC, LH, STRAIGHT

ARC, RUFFIAN, HANDLE, RH, STRAIGHT



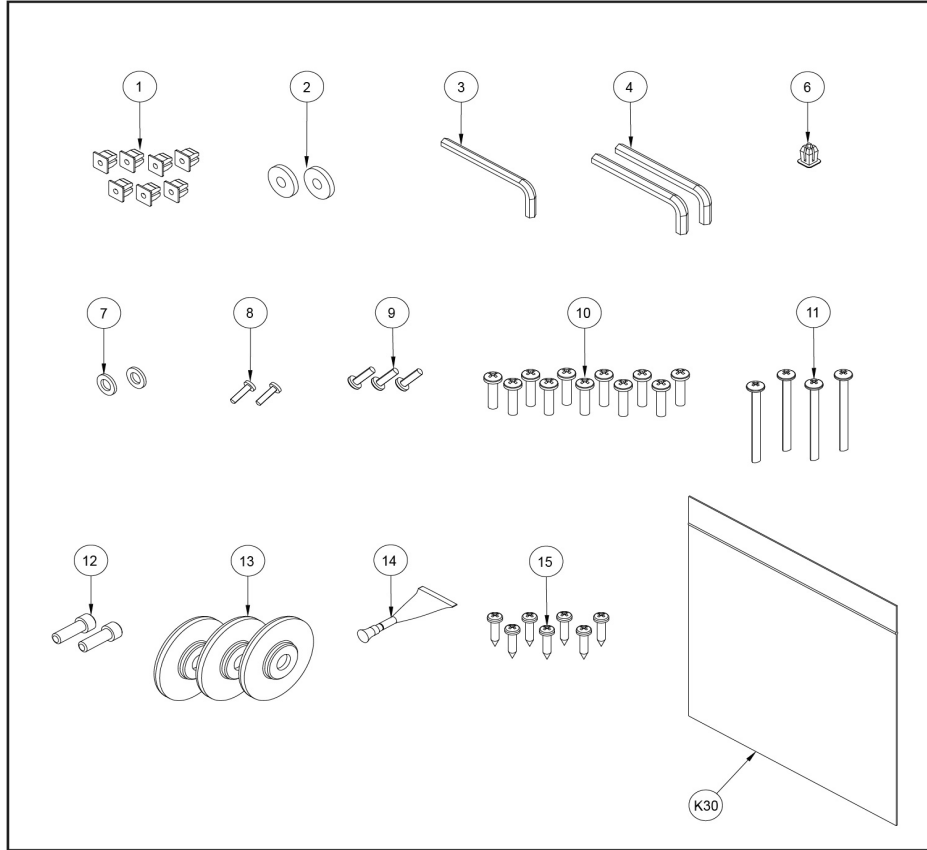
Ref #	Part Number	Qty	Description
1	1006647-0001	1	CABLE: 6XX TB ARC GRIP, ARM
9	425A-378	1	GRIP HOUSING WITH METAL PLATEFRONT
10	425A-379	1	GRIP: CHR BACK, W/SCREWS
11	HT532515	5	PN HD PHIL SC NO 6 X .75 PLASTITE
K15	773ATK007	1	KIT, LINKAGE CAP
K27	1009428-0001	1	KIT, CONTACT GRIPS WITH WIRES
K33	1009614-0006	1	KIT: HANDLE, ARC, RH, STRAIGHT

ARC, RUFFIAN, LOWER ELECTRONICS



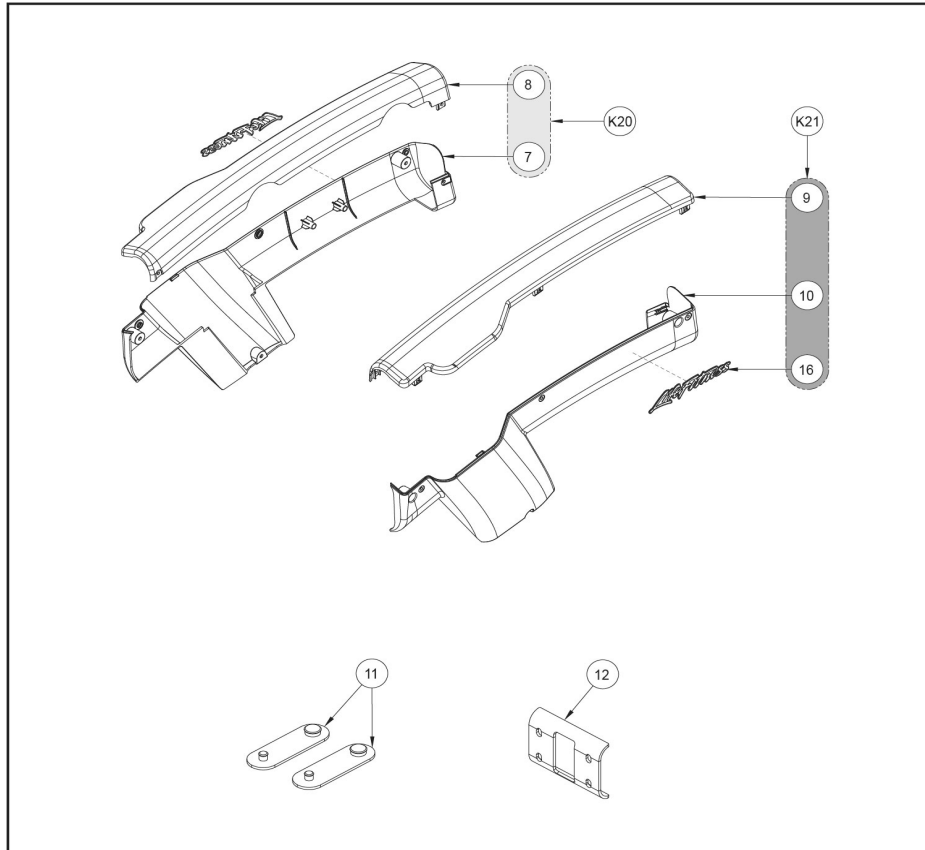
Ref #	Part Number	Qty	Description
1	1003117-0021	1	PCB ASSY: RUFFIAN RCB
2	1006656-0001	1	CABLE: BATTERY
3	1006840-0000	1	W/ DRIVE FRAME
4	0017-00101-1989	5	Hardware: M4 6G6G X 10 DIN PHI PAN ZN
6	630A-314	1	CLAMP BATTERY
11	771A-314	1	TRAY, BATTERY
13	DE-19586	1	LABEL WARNING ICON
14	EC-18267	1	BATTERY 12V 7AHR
24	HT572512	3	TAP SC NO. 10 - 24 X .50 PN HD PHIL
28	1007096-0001	2	FERRITE: ROUND CABLE SNAP, 240 OHM @ 250MHZ
29	1008072-0001	1	FERRITE: 31 ROUND CABLE CORE, 0.40 IN ID

ARC, RUFFIAN, SIDE COVER HW, TB



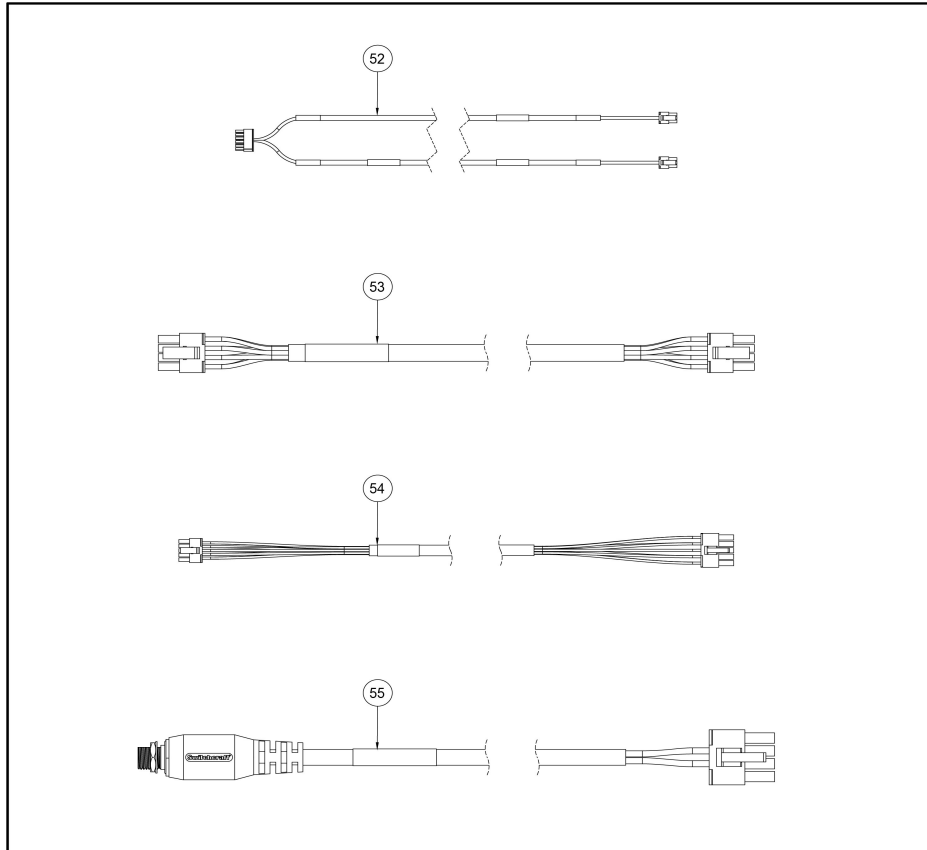
Ref #	Part Number	Qty	Description
1	0017-00042-1147	7	Hardware: Nylon Grommet
2	600A-311	2	SPACER FLANGE
3	BK030201	1	HEX KEY .188IN
4	BK030204	2	HEX KEY .219IN
5	CP300202	1	Poly Bag 6 x 6 Zip Top
6	HF540200	1	GROMMET NYLON
7	HS307601	2	WASH FLAT .281 .500 .062 T
8	HT532512	2	PN HD PHIL SC #6 X .50 PLASTITE
9	HT552512	3	TAP SC NO. 8-16 X .50 PLASTITE PAN HEAD PHILLIPS BLACK
10	HT572515	11	SCREW, PAN HEAD PHILIPS 10-24 X .75 TYPE 23, BLK
11	HT592526	4	Tap Sc 10-12 x 2.00 Pn Hd Phil
12	HX622815	2	SHCS .250-20 X .75 SS
13	600AK012	3	KIT LINKAGE CAP
14	YA000201	1	ADH THRD LKR REM .02 OZ 242
15	0017-00101-1796	7	Hardware: Mounting Screw 19 MM
K30	1007610-0001	1	HW PACK: SIDE COVER, ARC, TOTAL BODY

ARC, RUFFIAN, SIDE COVER, TB, CY



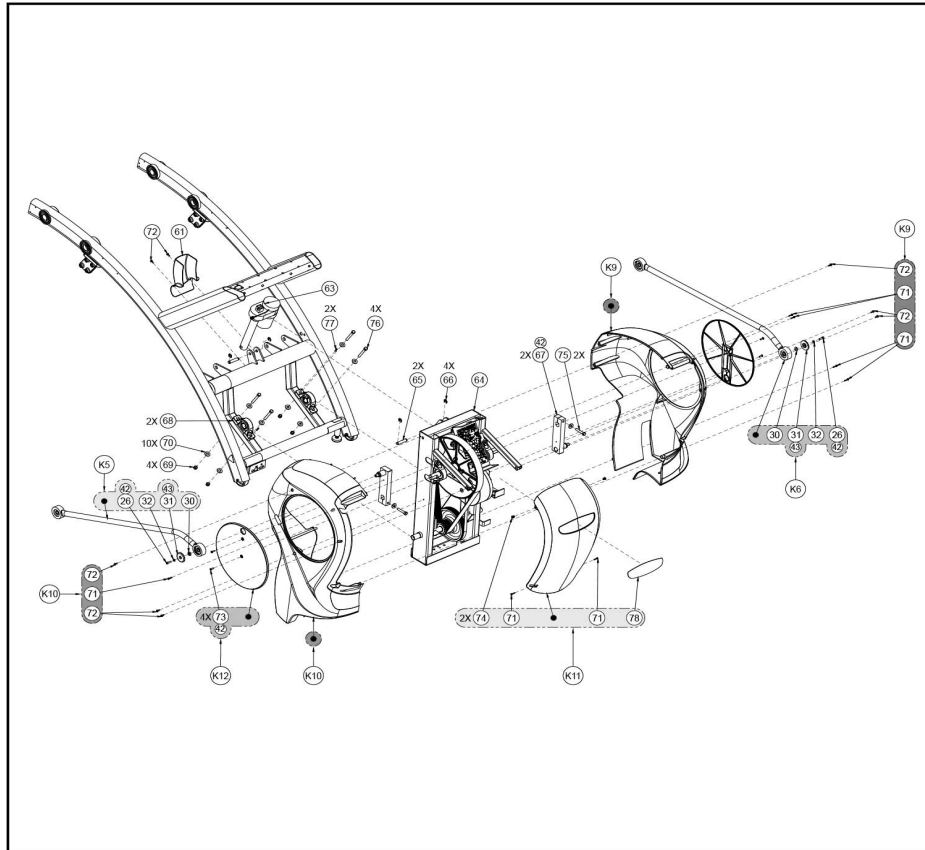
Ref #	Part Number	Qty	Description
7	1007054-0000	1	SHROUD: BOTTOM REAR RH
8	1007052-0000	1	SHROUD TOP REAR, RH FILLED
9	1007057-0000	1	SHROUD: TOP REAR LH FILLED
10	1007058-0000	1	SHROUD: BOTTOM REAR, LH
11	12090-322	2	PAD FOOT
12	770A-310	1	BRACKET, LOWER, DISPLAY MOUNT
16	1008397-0000	2	DECAL: LF BADGE
K20	1009579-0003	1	KIT:ARC, SIDE COVERS, RH, NO HANDLE, LF
K21	1009579-0004	1	KIT:ARC, SIDE COVERS, LH, NO HANDLE, LF

ARC, RUFFIAN, STD. CABLING, TB



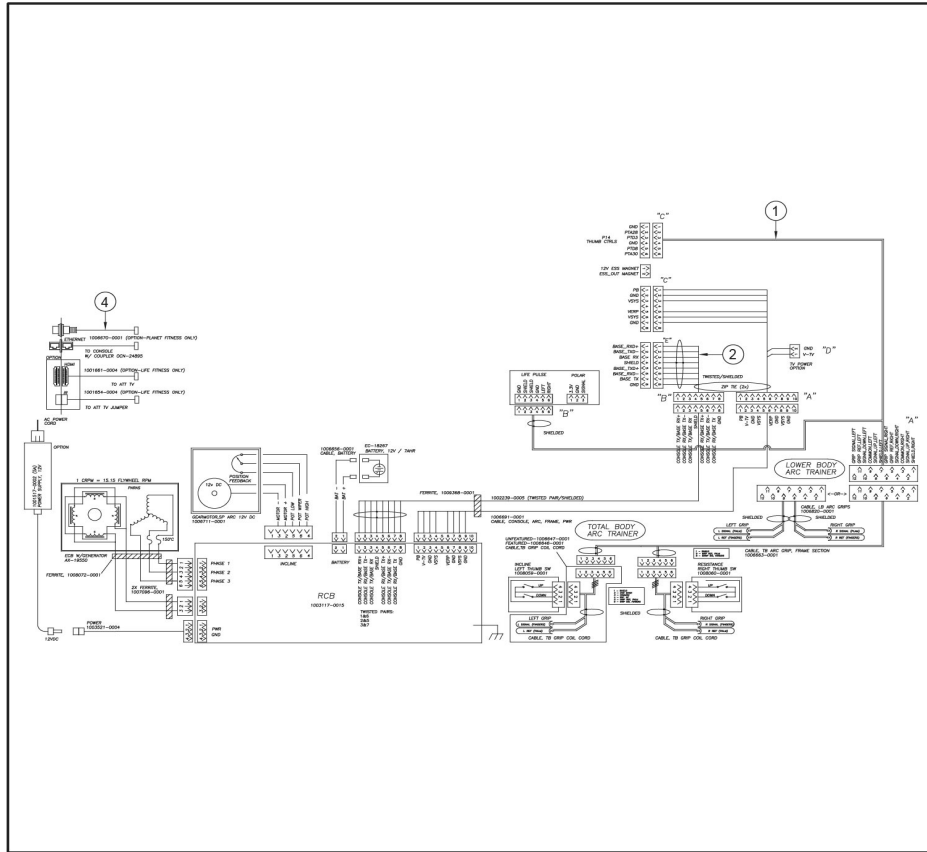
Ref #	Part Number	Qty	Description
52	1006663-0001	1	CABLE: TB ARC GRIP, FRAME
53	1002239-0005	1	CABLE: CONSOLE TO BASE, SIGNAL, 2970MM
54	1006691-0001	1	CABLE: CONSOLE, ARC, FRAME, PWR
55	1003521-0004	1	CABLE: POWER, RCB TO PANEL, 5A

ARC, RUFFIAN, TLA DRIVE ASSY



Ref #	Part Number	Qty	Description
K9	773ATK024	1	KIT, GSC COVER LEFT
K10	773ATK025	1	KIT, GSC COVER RIGHT
K11	773ATK026	1	KIT, ACCESS COVER
K12	1009568-0003	2	KIT: CRANK COVER, PF
61	740A-354-24LF	1	COVER, ELEVATION MOTOR
63	1006711-0001	1	MOTOR, ELEVATION, 12VDC, 1/2HP
64	1006841-0001	1	DRIVE FRAME ASSEMBLY
65	AP030055	2	Pin Groove .50 x 2.00
66	BR030228	4	Retaining Ring .500 External
67	610A-395	2	ASSY ARM CRANK
68	AF-16694	2	ASSY,BEARING,PILLOW BLOCK
69	HN704901	4	LOCKNUT .375-16 NYLON
70	HS347700	10	WASHER USS .375
71	HT552515	9	TAP SC NO. 8-16 X .75 PLASTITE PN HD PHIL BLK
72	HT572512	8	TAP SC NO. 10 - 24 X .50 PN HD PHIL
73	HM582514	4	PN HD PHIL SC NO 10-32 X .625 BLK ZN
74	HF540200	2	GROMMET NYLON
75	HH701226	2	BOLT, HHCS GRD 8, .375-16 X 2.0
76	HC701234	4	HX HD CAP SC .375-16 X 3.00
77	HX-17023	2	PIN,SPRING .187X.813 LG,TYPE 420,ST STL
78	750A-349	1	Decal ARC

ARC, RUFFIAN, WIRING DIAGRAM, BASIC



Ref #	Part Number	Qty	Description
1	1006712-0001	1	CABLE: 7XX TB ARC GRIP, POST
2	1006713-0001	1	CABLE: CONSOLE, ARC, POST
4	1006664-0002	1	CABLE: RG6U COAX

