

POWERMILL™ CLIMBER

PARTS MANUAL

95PS-ALLXX-XX03

95PS-ALLXX-XX03PF



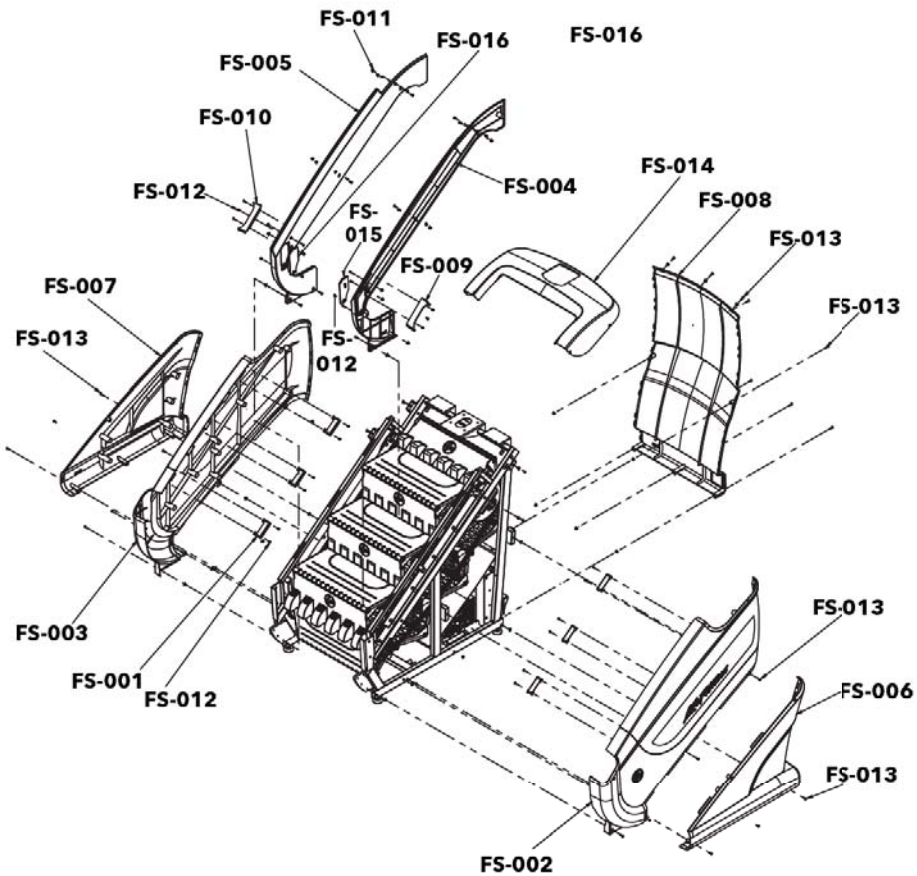
Table of Contents

Miscellaneous	1
Front & Side Shrouds	2
Console Cover & Cup Holders	3
Handlebars & Console Support	4
Accessory Trays & Handlebar Covers	6
Step Assists	7
Leg Levelers & Wheels	8
Motor & Brake	9
Base Electronics	11
Drive System	15
Step System	17
Wiring Diagrams	18
Base	18
Console - Integrity X / Integrity C	20
Console - Discover	22

Miscellaneous

Item	Alpha Code	Part Number	Description (Quantity)
MISC-001	PMH, PFH	9281100	CABLE TIE GROMMETS (20)
MISC-002	PMH, PFH	9284000	POWER CORD ADHESIVE PAD
MISC-003	PMH, PFH	0017-00003-1084	LINE CORD ARGENTINA HIGH VOLTAGE
MISC-004	PMH, PFH	0017-00003-1085	LINE CORD AUSTRALIA HIGH VOLTAGE
MISC-005	PMH, PFH	0017-00003-1083	LINE CORD BRAZIL HIGH VOLTAGE
MISC-006	PMH, PFH	0017-00003-1088	LINE CORD CHINA HIGH VOLTAGE
MISC-007	PMH, PFH	0017-00003-1086	LINE CORD CONT EUROPE HIGH VOLTAGE
MISC-008	PMH, PFH	0017-00003-1082	LINE CORD DOM LOW VOLTAGE
MISC-010	PMH, PFH	0017-00003-1087	LINE CORD UK HIGH VOLTAGE
MISC-010	PMH, PFH	9273600	STAR WASHER (2)
MISC-011	PMH, PFH	1005544-0001	LINE CORD DOM LOW VOLTAGE STRAIGHT PLUG. "OPTION SERVICE PART ONLY"

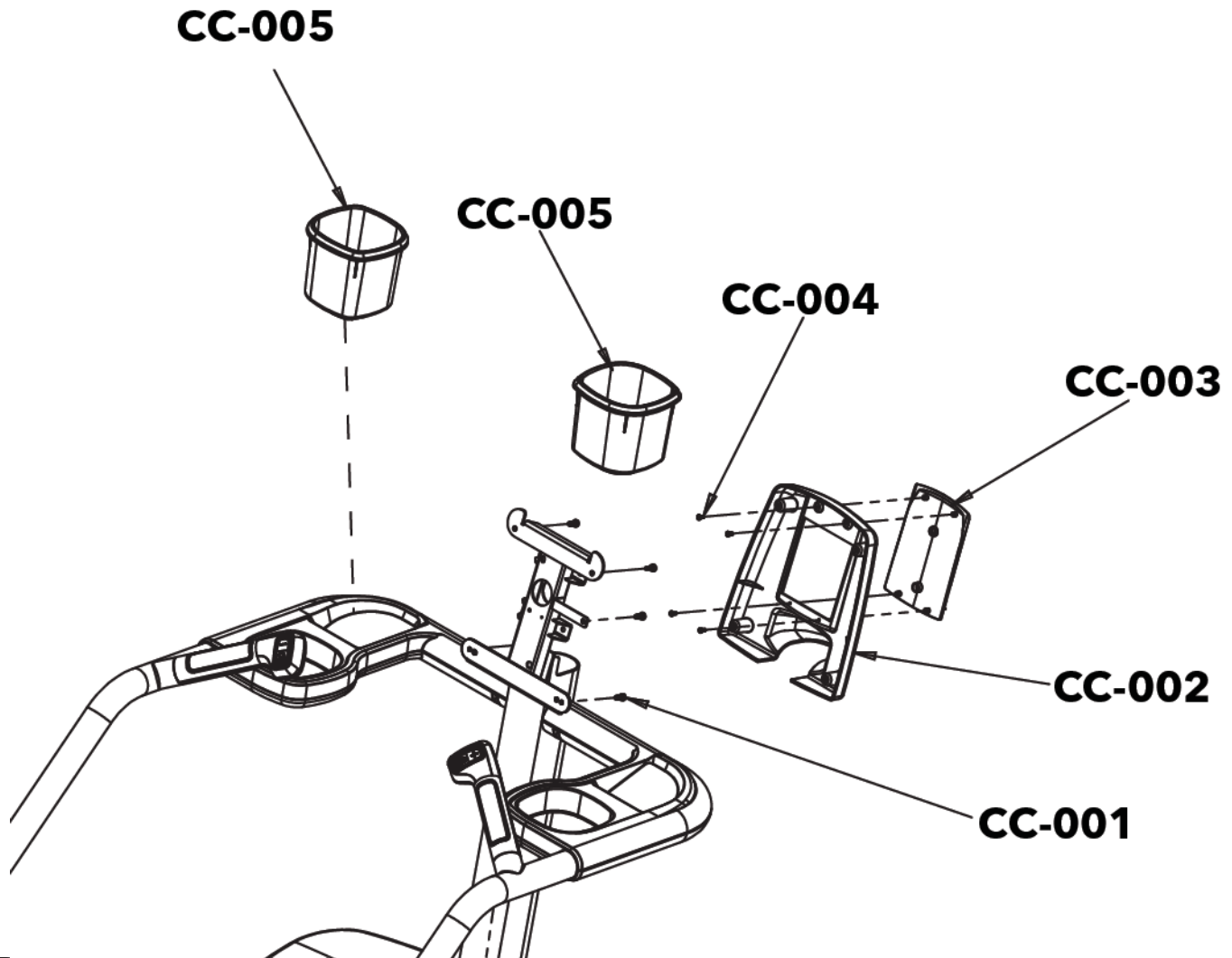
Front and Side Shrouds



Parts List

Item	Alpha Code	Part Number	Description (Quantity)
FS-001	PMH, PFH	9271400	BRKT; MTG TAB; SIDE SHROUD (6)
FS-002	PMH	9268600	ASSY; SHROUD; SIDE PANEL; UPPER RT
	PFH	1008392-0001	ASSY: SHROUD, SIDE PANEL, UPPER RT, PF
FS-003	PMH	9268700	ASSY: SHROUD, SIDE PANEL, UPPER LT
	PFH	1008393-0001	ASSY: SHROUD, SIDE PANEL, UPPER LT, PF
FS-004	PMH, PFH	9269200	ASSY: SHROUD, INNER PANEL, RT
FS-005	PMH, PFH	9269300	ASSY: SHROUD, INNER PANEL, LT
FS-006	PMH, PFH	9267700	SHROUD: SIDE PANEL, LOWER RT
FS-007	PMH, PFH	9267900	SHROUD: SIDE PANEL, LOWER LT
FS-008	PMH	9280300	ASSY: SHROUD, FRONT
	PFH	1008394-0001	ASSY: SHROUD, FRONT, PF
FS-009	PMH, PFH	9268300	SHROUD: INSERT REAR, RT
FS-010	PMH, PFH	9268400	SHROUD: INSERT REAR, LT
FS-011	PMH, PFH	0017-00042-1055	GROMMET: PLASTIC; #6 OR #8 (62)
FS-012	PMH, PFH	0017-00101-2068	M4 X 0.7-6G6G X 12 DIN PHL PAN MS ST ZB (32)
FS-013	PMH, PFH	9276700	M4 X 0.7-6G6G X 16 DIN PHL PAN MS ST BZ (47)
FS-014	PMH, PFH	9267500	SHROUD: TOP CAP
FS-015	PMH, PFH	9269400	PANEL: ACCESS, RT
FS-016	PMH, PFH	9269500	PANEL: ACCESS, LT

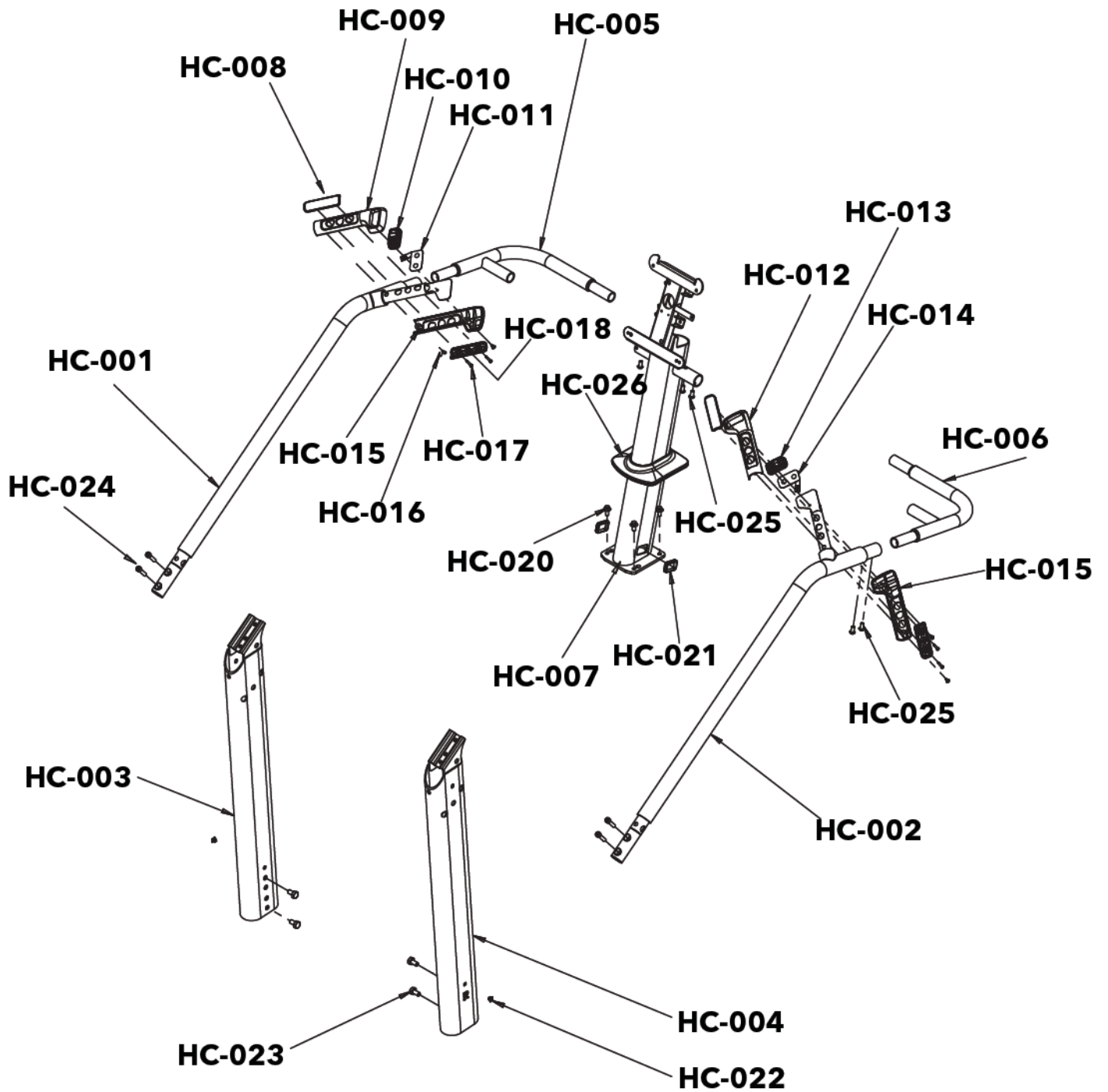
Console Cover & Cup Holders



Parts List

Item	Alpha Code	Part Number	Description (Quantity)
CC-001	PMH, PFH	0017-00101-1940	SCREW: M5 X 0.8 X 14 PHL PAN MS ST ZN (5)
CC-002	PMH, PFH	9278000	COVER: CONSOLE JUNCTION DISCOVER, HDMI
CC-003	PMH, PFH	AK92-00059-XXXX	ASSY: MIDDLE SHROUD; CONSOLE; APOLLO 2
CC-004	PMH, PFH	0017-00101-1275	6-19X6 PHL PAN PLT G5 ZN (4)
CC-005	PMH, PFH	0K67-01055-XXXX	CUP: ACCESSORY; PURCH (2)

Handlebars & Console Support



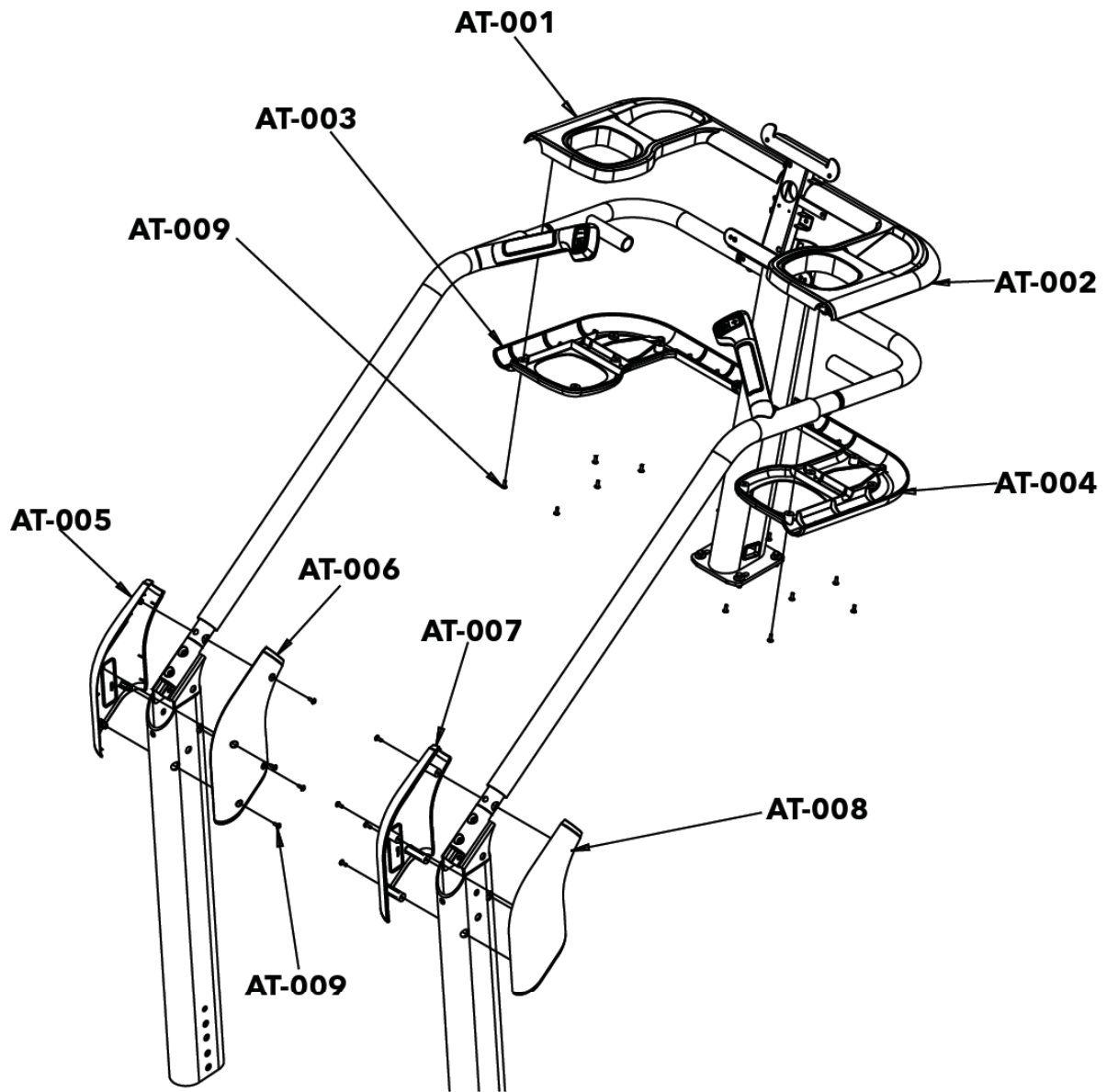
Parts listed on following page.

Handlebars & Console Support *(continued)*

Parts List

Item	Alpha Code	Part Number	Description (Quantity)
HC-001	PMH, PFH	9260400	WLDMT; HANDLEBAR REAR LT, DIPPED
HC-002	PMH, PFH	9259400	WLDMT; HANDLEBAR REAR RT, DIPPED
HC-003	PMH	9281551	ASSY, REAR HANDLEBAR SUPPORT LT (ARCTIC SILVER)
	PFH	9281558	ASSY, REAR HANDLEBAR SUPPORT LT (PLANET FITNESS)
	PMH	9281571	ASSY: REAR HANDLEBAR SUPPORT LT (DIAMOND WHITE)
	PMH	9281572	ASSY, REAR HANDLEBAR SUPPORT LT (TITANIUM)
	PMH	9281573	ASSY: REAR HANDLEBAR SUPPORT LT (BLACK ONYX)
HC-004	PMH	9281451	ASSY, REAR HANDLEBAR SUPPORT RT (ARCTIC SILVER)
	PFH	9281458	ASSY, REAR HANDLEBAR SUPPORT RT (PLANET FITNESS)
	PMH	9281471	ASSY: REAR HANDLEBAR SUPPORT RT (DIAMOND WHITE)
	PMH	9281472	ASSY, REAR HANDLEBAR SUPPORT RT (TITANIUM)
	PMH	9281473	ASSY: REAR HANDLEBAR SUPPORT RT (BLACK ONYX)
HC-005	PMH, PFH	9276500	WLDMT; HANDLEBAR FRONT LT
HC-006	PMH, PFH	9259700	WLDMT; HANDLEBAR FRONT RT
HC-007	PMH	1006873-5100	WLDMT; UPRIGHT CONSOLE SUPPORT, DISCOVER, HERCULES, ARCTIC SILVER
	PFH	1006873-5800	WLDMT: UPRIGHT CONSOLE SUPPORT, DISCOVER, HERCULES, PURPLE
	PMH	1006873-7100	WLDMT; UPRIGHT CONSOLE SUPPORT, HERCULES, DIAMOND WHITE
	PMH	1006873-7200	WLDMT; UPRIGHT CONSOLE SUPPORT, DISCOVER, HERCULES, TITANIUM
	PMH	1006873-7300	WLDMT; UPRIGHT CONSOLE SUPPORT, HERCULES, BLACK ONYX
HC-008	PMH, PFH	9281200	ELECTRODE, INSERT-MOLDED, TOP (2)
HC-009	PMH, PFH	9275400	ASSY; ERGO GRIP TOP LT
HC-010	PMH, PFH	1008051-0001	ASSY: BUTTON MODULE SPEED DOWN/STOP
HC-011	PMH, PFH	9584000	KEYPAD; MEMBRANE ERGOBAR LT
HC-012	PMH, PFH	9275300	ASSY; ERGO GRIP TOP RT
HC-013	PMH, PFH	1008050-0001	ASSY: BUTTON MODULE SPEED UP/STOP
HC-014	PMH, PFH	9583900	KEYPAD; ERGOBAR RIGHT
HC-015	PMH, PFH	9260300	GRIP: HANDLE; ERGO BAR BTM LT
HC-016	PMH, PFH	0017-00101-2068	M4 X 0.7-6G6G X 12 DIN PHLPAN SCREW (4)
HC-017	PMH, PFH	REX2NAD	SCREW, PHL HD M4 X 18-28 (HAND SENSOR SCREW (4)
HC-018	PMH, PFH	9281300	ELECTRODE, INSERT-MOLDED, BOTTOM, CHRL (2)
HC-019	PMH, PFH	9259300	GRIP: HANDLE; ERGO BAR BTM RT
HC-020	PMH, PFH	0017-00101-2091	M8 X 1.25-6G6G X 16 DIN UNS HXW L CS ST ZS (CONSOLE SUPPORT BOLT) (4)
HC-021	PMH, PFH	REX2NEK	GROMMET, 38MM X 25MM (2)
HC-022	PMH, PFH	0017-00042-1055	GROMMET (#6 or #8) (2)
HC-023	PMH, PFH	REX2DVG	BOLT, HEX M10 X 1.5-20 (HANDLEBAR SUPPORT BOLT (4)
HC-024	PMH, PFH	9273300	SCREW; SHCS; M8-1.25 X 35 BZ (REAR HANDLEBAR BOLT) (4)
HC-025	PMH, PFH	0017-00101-2007	M8 X 1.25-6G6G X 16 DIN HEX BUT L CS CT (FRONT HANDLEBAR BOLT) (4)
HC-026	PMH, PFH	9268500	GASKET, TOP CAP (CONSOLE SUPPORT GASKET)

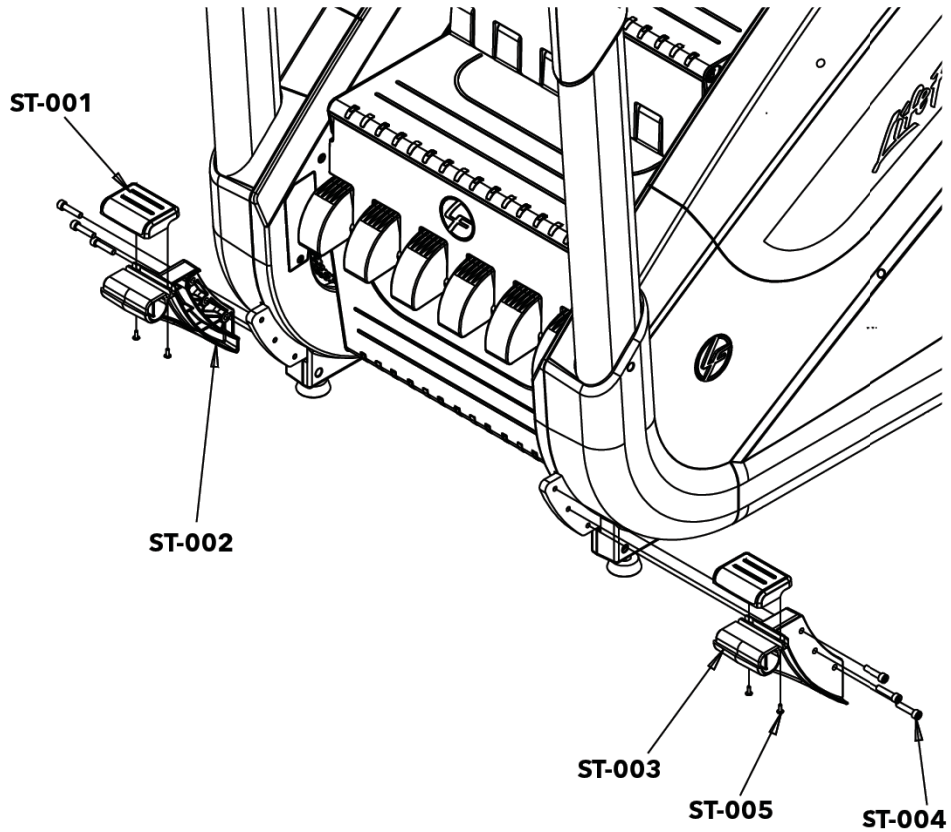
Accessory Trays & Handlebar Covers



Parts List

Item	Alpha Code	Part Number	Description (Quantity)
AT-001	PMH, PFH	9277800	ASSY; TRAY; ACCESSORY TOP LT
AT-002	PMH, PFH	9277900	ASSY; TRAY; ACCESSORY TOP RT
AT-003	PMH, PFH	9585200	TRAY; ACCESSORY BTM LT
AT-004	PMH, PFH	9585300	TRAY; ACCESSORY BTM RT
AT-005	PMH, PFH	9276900	ASSY COVER; REAR HANDLEBAR JUNCTION; OUTER LT
AT-006	PMH, PFH	9269100	COVER; REAR HANDLEBAR JUNCTION; INNER LT
AT-007	PMH, PFH	9268900	COVER; REAR HANDLEBAR JUNCTION; INNER RT
AT-008	PMH, PFH	9276800	ASSY COVER; REAR HANDLEBAR JUNCTION; OUTER RT
AT-009	PMH, PFH	0017-00101-2068	M4 X 0.7-6G6G X 12 DIN PHL PAN MS ST ZB (18)

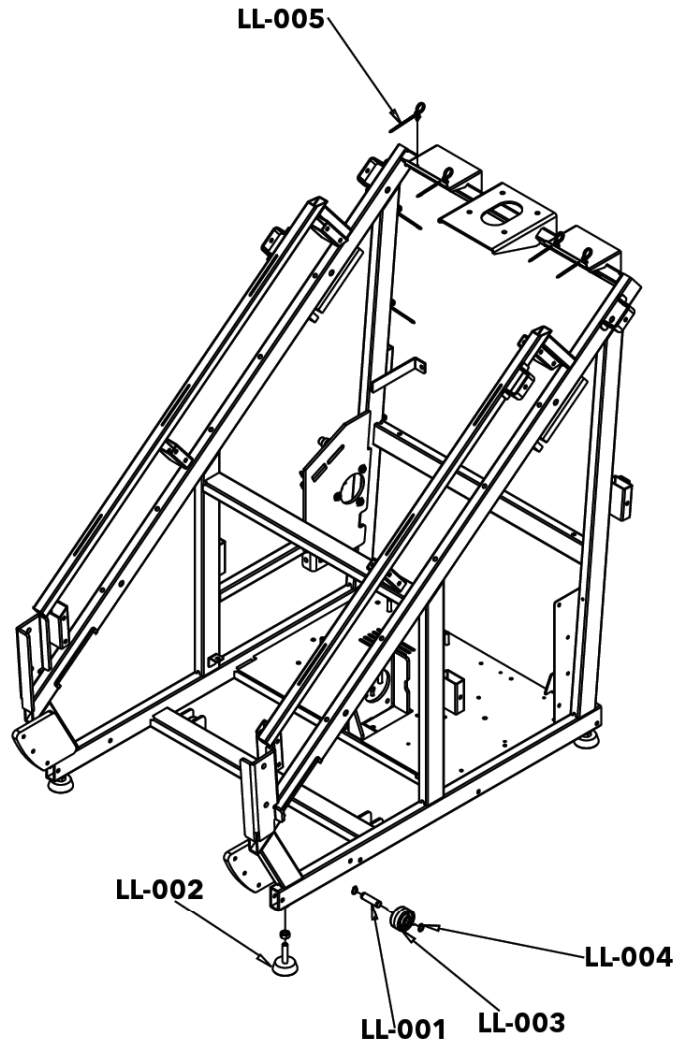
Step Assists



Parts List

Item	Alpha Code	Part Number	Description (Quantity)
ST-001	PMH, PFH	9278500	ASSY; CAP; STEP ASSIST (2)
ST-002	PMH, PFH	9278300	CASTING; STEP ASSIST LT
ST-003	PMH, PFH	9278200	CASTING; STEP ASSIST RT
ST-004	PMH, PFH	9273300	SCREW; SHCS; M8-1.25 X 35 BZ (STEP ASSIST MTG BOLT)(6)
ST-005	PMH, PFH	0017-00101-2068	M4 X 0.7-6G6G X 12 DIN PHL PAN MS ST ZB (STEP ASSIST CAP SCREW)(4)

Leg Levelers & Wheels

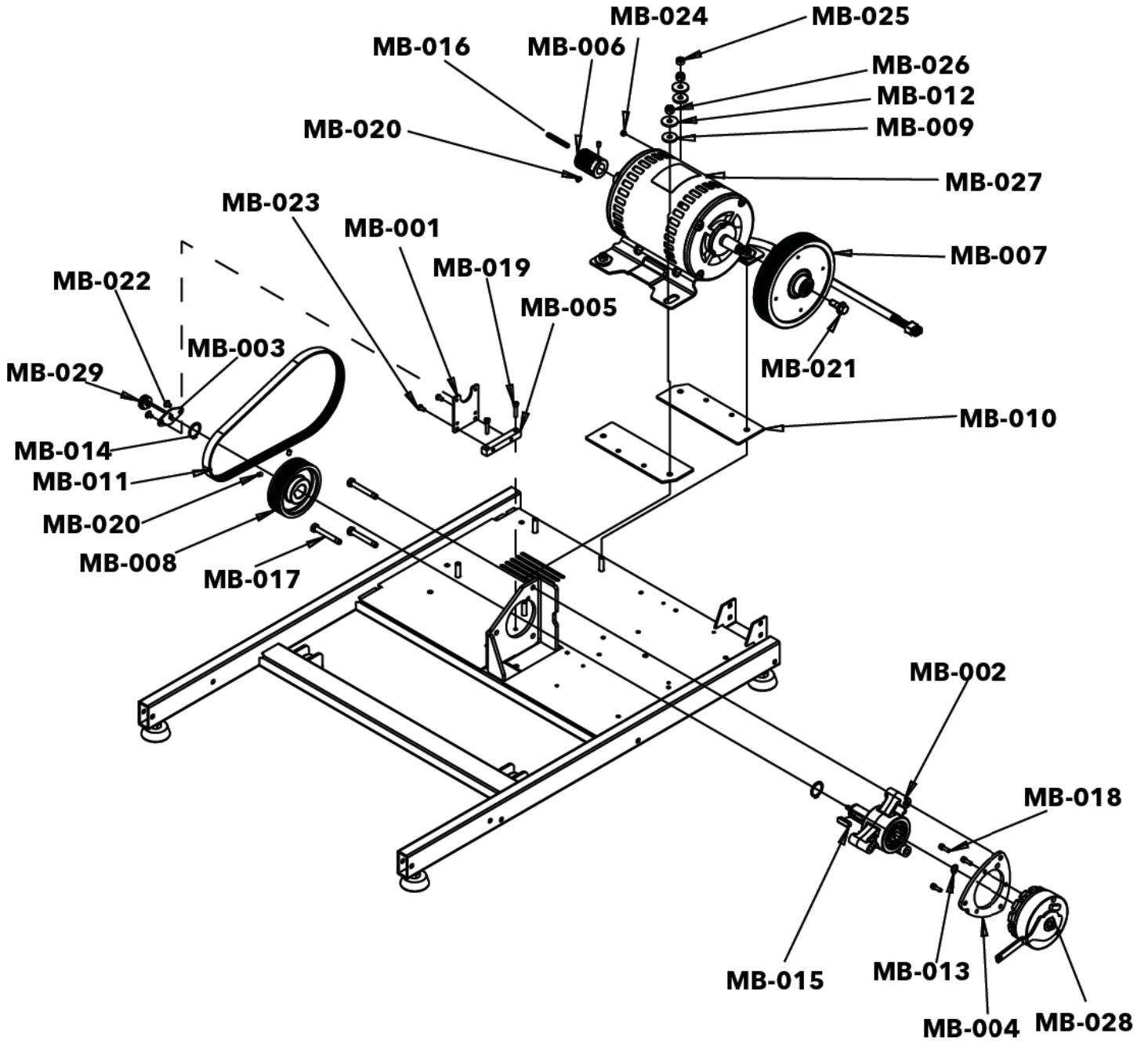


Parts List

Item	Alpha Code	Part Number	Description (Quantity)
LL-001	PMH, PFH	9257000	SHAFT: FRAME, WHEEL, UPRIGHT (4)
LL-002	PMH, PFH	AK76-00032-0000	LEVELER ASSY: LEG (4)
LL-003	PMH, PFH	REX2AX2	WHEEL - FLOOR ROLLER (4)
LL-004	PMH, PFH	9282000	RETAINING RING: 12MM X 1MM (8)
LL-005	PMH, PFH	9281100	GROMMET: CABLE TIE, 4.5MM PLT (7)

Motor & Brake

Parts listed on following page.

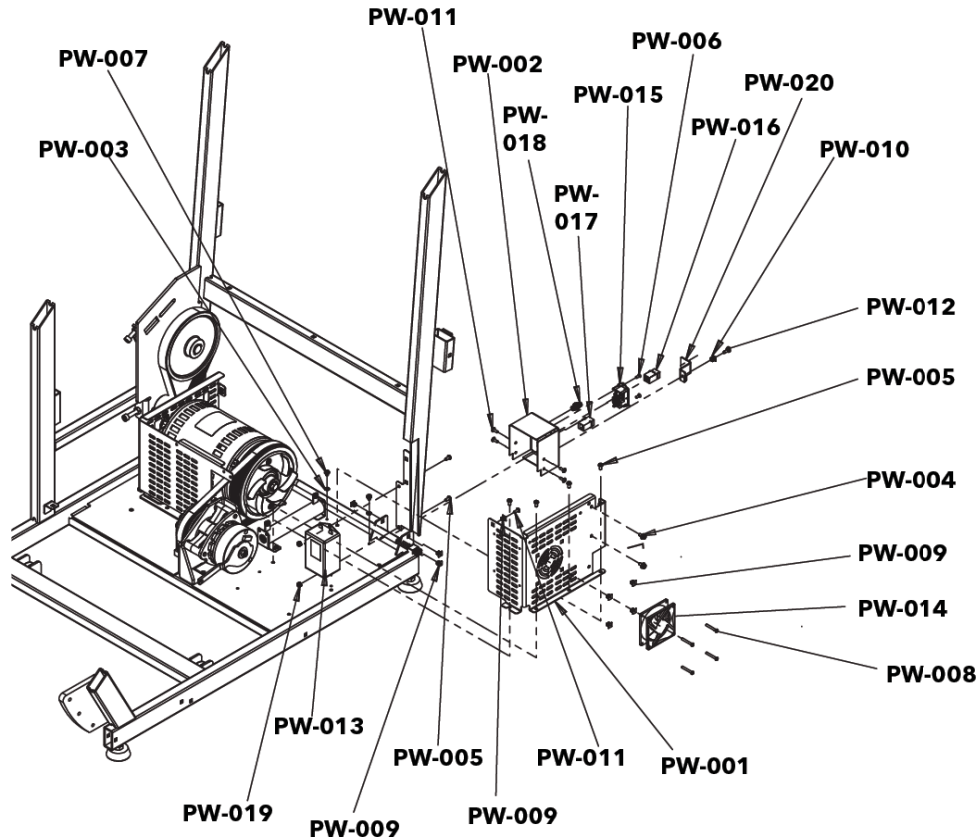


Motor & Brake *(continued)*

Parts List

Item	Alpha Code	Part Number	Description (Quantity)
MB-001	PMH, PFH	9247900	PLATE: MTG, ENCODER
MB-002	PMH, PFH	9267200	ASSY: BEARING HUB BRAKE DRIVE
MB-003	PMH, PFH	9271300	PLATE: MTG, ENCODER ALIGNMENT
MB-004	PMH, PFH	9262700	PLATE: BRAKE MTG
MB-005	PMH, PFH	9271900	BAR: STEEL, BASE, ENCODER MTG.
MB-006	PMH, PFH	9282800	PULLEY: MOTOR 1.37 O.D.
MB-007	PMH, PFH	9246100	FLYWHEEL: CAST IRON, V-RIBS
MB-008	PMH, PFH	9262100	PULLEY: 4IN DIA, 10 V-RIB
MB-009	PMH, PFH	0K58-01255-0000	WASHER; INSULATING SHOULDER (4)
MB-010	PMH, PFH	0K58-01256-0001	PAD; INSULATING (2)
MB-011	PMH, PFH	9248000	BELT: J SERIES, 6 RIB
MB-012	PMH, PFH	9271700	WASHER: STEEL 8MM ID X 28MM OD X 2.5MM THK (4)
MB-013	PMH, PFH	9282000	RING: RETAINING (9)
MB-014	PMH, PFH	9274700	RETAINING RING, 25MM SHAFT EXTERNAL (2)
MB-015	PMH, PFH	9280000	KEY: 8MM X 7MM X 28MM LG OVAL
MB-016	PMH, PFH	9280100	KEY: .188 SQ X 1.85" LONG
MB-017	PMH, PFH	9285400	SCREW: M8 X 1.0-6G6G X 60 DIN HEX L CS ST ZS (3)
MB-018	PMH, PFH	9272800	SCREW: SHCS, M5-0.8 X 16 BZ (3)
MB-019	PMH, PFH	9272100	SCREW: SHCS, 5MM X 25 BZ (2)
MB-020	PMH, PFH	9282700	SCREW; SET M6-1 X 8 CUP POINT BZ (4)
MB-021	PMH, PFH	0017-00101-1885	3/8 -16X16 UNS HW L BLT G5 ZN
MB-022	PMH, PFH	9272300	SCREW: M5-0.8 X 8 PHL BTN BZ (2)
MB-023	PMH, PFH	9272200	SCREW: M5-0.8 X 10 PHL PAN BZ (2)
MB-024	PMH, PFH	0017-00103-0385	NUT: M5 X 0.8-6H6H DIN ST ZB
MB-025	PMH, PFH	0017-00103-0328	NUT: M8 X 1.25 JAM D ST ZN
MB-026	PMH, PFH	9282400	NUT: M8 X1.25 , NYLON LOCKING DIN ST CZ (4)
MB-027	PMH, PFH	1002167-0000	MOTOR: AC, 4HP, INDUCTION
MB-028	PMH, PFH	9246300	BRAKE: POWER BRAKE
MB-029	PMH, PFH	9587500	ENCODER KIT

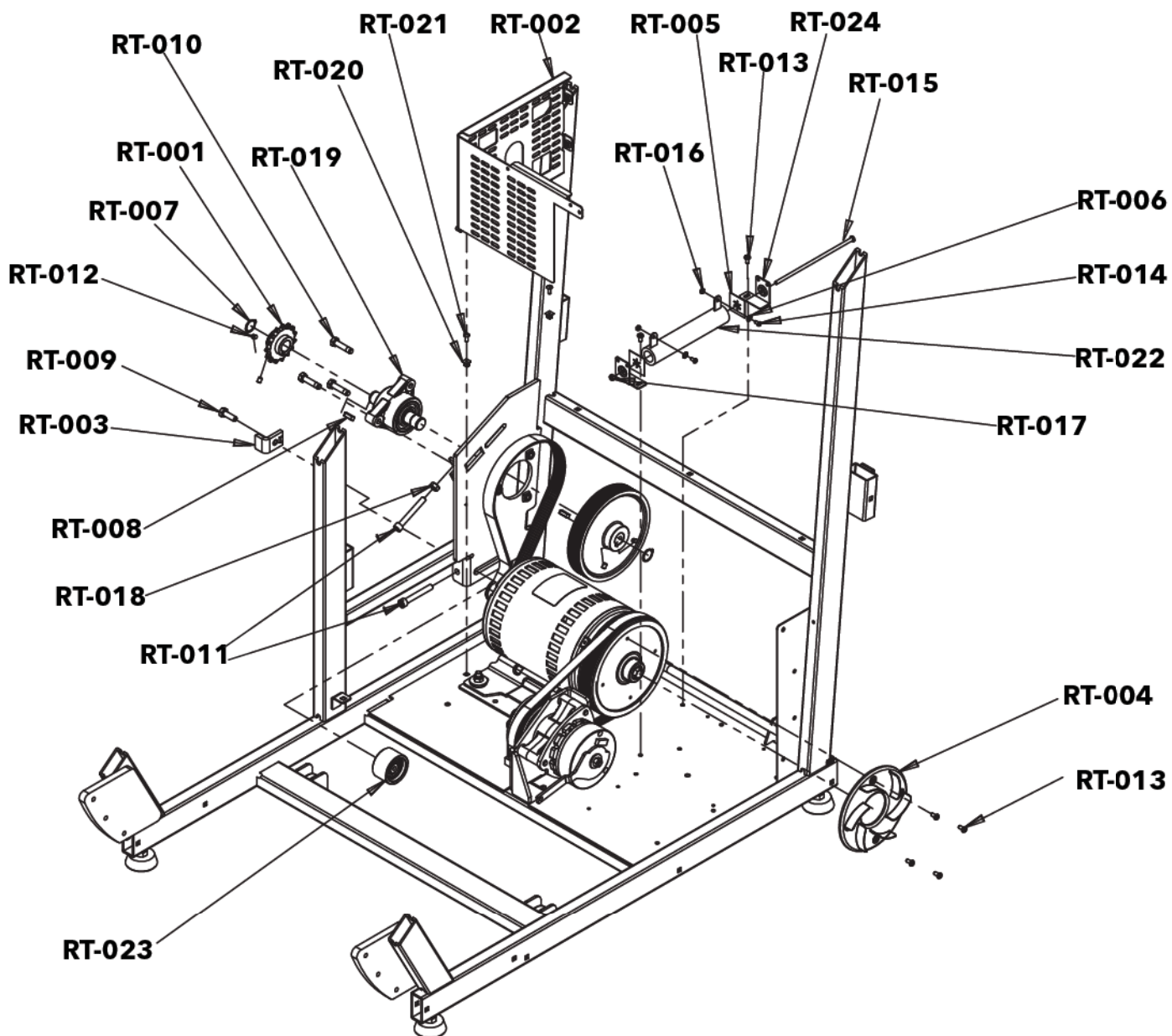
Base Electronics



Parts List

Item	Alpha Code	Part Number	Description (Quantity)
PW-001	PMH, PFH	1006536-0001	WLDMT: SHIELD MDB SUPPORT
PW-002	PMH, PFH	9250800	BRKT: POWER ENTRANCE, IEC/SWITCH
PW-003	PMH, PFH	9273600	WASHER: 5MM EXTERNAL STAR CZ (4)
PW-004	PMH, PFH	0017-00101-2070	M5 X 0.8-6G6G X 10 DIN UNS HWX CS ST ZB (2)
PW-005	PMH, PFH	9272200	SCREW: M5-0.8 X 10 PHL PAN BZ (14)
PW-006	PMH, PFH	9273400	SCREW: M4-0.7 X 10 PHL FLAT BZ (2)
PW-007	PMH, PFH	9285200	SCREW: M5 X 0.8 6G6G X 6 DIN HWS ST GND GZ (2)
PW-008	PMH, PFH	9278700	SCREW: M4 X 0.7-6G6G X 30 DIN PHL PAN MS ST ZB (4)
PW-009	PMH, PFH	0017-00042-1055	GROMMET: PLASTIC; #6 OR #8 (11)
PW-010	PMH, PFH	0017-00042-1147	GROMMET: SCREW; 8 OR 10
PW-011	PMH, PFH	0017-00101-2068	M4 X 0.7-6G6G X 12 DIN PHL PAN MS ST ZB (7)
PW-012	PMH, PFH	0017-00101-1776	10-16X 8 PHL PAN B ST ZB
PW-013	PMH, PFH	0017-00003-1089	FILTER: LINE, 16A, 250VAC
PW-014	PMH, PFH	9264300	FAN; 80MM X 80MM
PW-015	PMH, PFH	9250700	IEC INLET: C-14 WITH LINE SWITCH 2-POLE
PW-016	PMH, PFH	0017-00021-3195	COUPLER: CAT5E SHIELDED RJ45
PW-017	PMH, PFH	0017-00021-2847	COUPLER: MODULAR 8 POS, CATEGORY 5E PANEL MOUNT
PW-018	PMH, PFH	0017-00021-2846	F-CONNECTOR: COAX, PANEL MOUNT
PW-019	PMH, PFH	0017-00103-0350	NUT:M5 X0.8-6H6H DIN S HEX ST ZN (2)
PW-020	PMH, PFH	9251000	BRKT: LINE CORD RETAINER

Parts listed on following page.

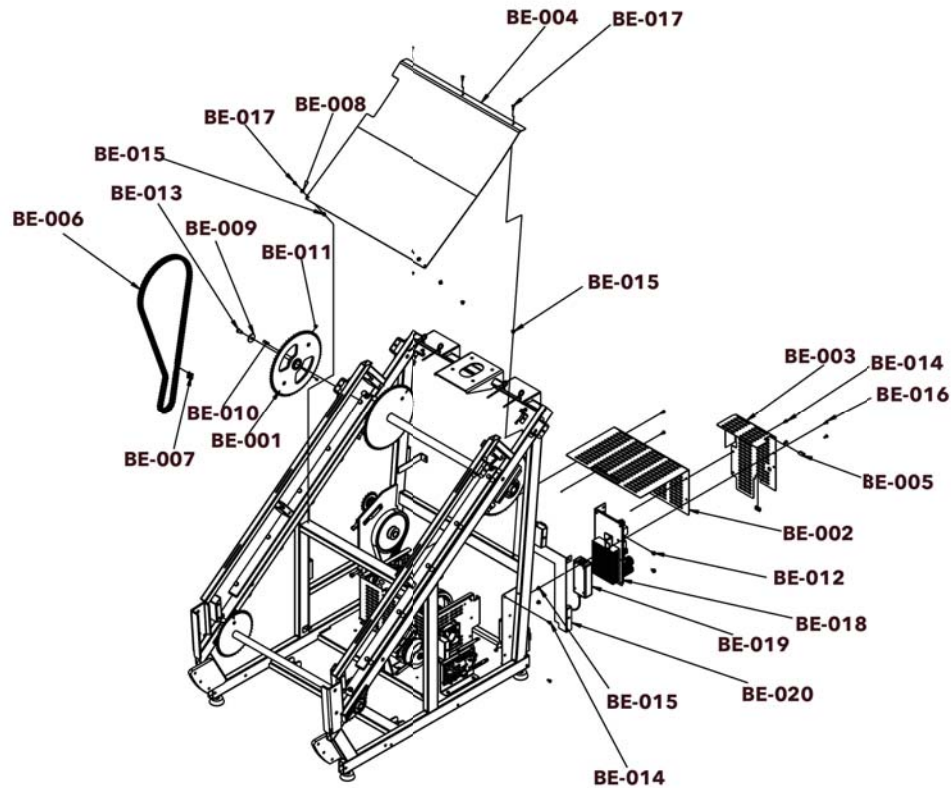


Base Electronics (continued)

Parts List

Item	Alpha Code	Part Number	Description (Quantity)
RT-001	PMH, PFH	9276300	WELDMT: SPROCKET, SMALL, DRIVE
RT-002	PMH, PFH	1002910-0001	WLDMT: MOTOR ELECTRICAL SHROUD
RT-003	PMH, PFH	9279500	BRKT: PUSH BAR, TENSIONER, BELT
RT-004	PMH, PFH	9275000	FAN: FLYWHEEL
RT-005	PMH, PFH	9286700	INSULATOR: FISHPAPER .030 THK (2)
RT-006	PMH, PFH	9273600	WASHER: 5MM EXTERNAL STAR CZ (2)
RT-007	PMH, PFH	0017-00100-0242	RETAINING RING 5101-98 (2)
RT-008	PMH, PFH	9272400	KEY: 6MM X 6MM X 20 LG OVAL (2)
RT-009	PMH, PFH	9279700	SCREW: M8 X 1.25-6G6G X 25 DIN HEX CS ST ZB
RT-010	PMH, PFH	9269600	SCREW: M8 X 1.25-6G6G X 35 DIN HEX L CS ST ZB (3)
RT-011	PMH, PFH	9285500	SCREW: M8 X 1.25-6G6G X 60 DIN SOC CS ST ZB (2)
RT-012	PMH, PFH	9282700	SCREW; SET M6-1 X 8 CUP POINT BZ (8)
RT-013	PMH, PFH	9272200	SCREW: M5-0.8 X 10 PHL PAN BZ (8)
RT-014	PMH, PFH	0017-00101-2095	M4 X 0.7-6G6G X 8 DIN PHL PAN MS ST ZS (2)
RT-015	PMH, PFH	0017-00101-2072	M5 X 0.8-6G6G X 170 DIN PHL PAN MS ST ZB
RT-016	PMH, PFH	0017-00103-0388	NUT: M4 X 0.7-6H6H DIN ST ZS (2)
RT-017	PMH, PFH	0017-00103-0385	NUT: M5 X 0.8-6H6H DIN ST ZB
RT-018	PMH, PFH	0017-00103-0328	NUT: M8 X 1.25 JAM D ST ZN
RT-019	PMH, PFH	9267300	ASSY: BEARING HUB STEP DRIVE
RT-020	PMH, PFH	0017-00042-1055	GROMMET: PLASTIC; #6 OR #8 (2)
RT-021	PMH, PFH	0017-00101-2068	M4 X 0.7-6G6G X 12 DIN PHL PAN MS ST ZB (2)
RT-022	PMH, PFH	100E-00002-0099	RESISTOR: WIRE WOUND, 100OHM, 300WATT, PAINTED
RT-023	PMH, PFH	9314600	ASSY: ROLLER TENSIONER
RT-024	PMH, PFH	9273500	BRKT; RESISTOR MTG (2)

Base Electronics (continued)

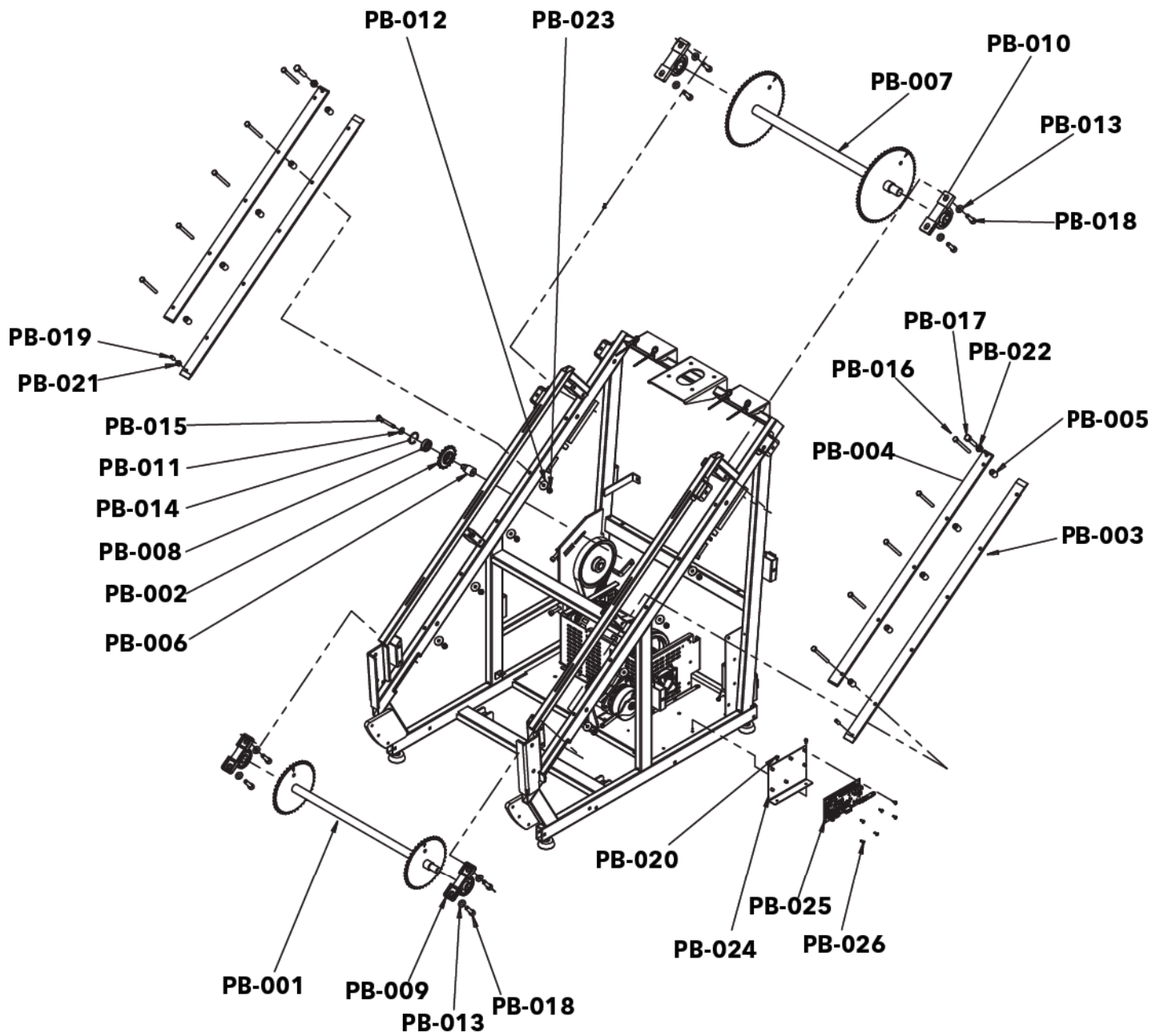


Parts List

Item	Alpha Code	Part Number	Description (Quantity)
BE-001	PMH, PFH	9248500	WLDMT: LARGE SPROCKET
BE-002	PMH, PFH	1002907-0001	COVER: INTERNAL, BOX TOP
BE-003	PMH, PFH	1002904-0001	COVER: MOTOR CONTROLLER SHROUD
BE-004	PMH, PFH	9274800	SHEET: FORMED SHIELD
BE-005	PMH, PFH	9284300	GROMMET: EDGE 20MM WIDE (2)
BE-006	PMH, PFH	9251300	CHAIN: 40 SERIES
BE-007	PMH, PFH	9284600	ASSY: MASTER LINK 40 SERIES O-RING CHAIN (3)
BE-008	PMH, PFH	9284400	WASHER: STEEL 4.8MM ID X 11.9MM OD X .8MM THK (2)
BE-009	PMH, PFH	9282600	WASHER; STEEL 8MM ID X 30MM OD X 3MM THK
BE-010	PMH, PFH	9282200	KEY; 8MM X 7MM X 22MM
BE-011	PMH, PFH	9282700	SCREW; SET M6-1 X 8 CUP POINT BZ (10)
BE-012	PMH, PFH	0017-00101-2070	M5 X 0.8-6G6G X 10 DIN UNS HW CS ST ZB (2)
BE-013	PMH, PFH	9286500	M8 X 1.0 6G6G X 16 DIN HEX BUT L CS ST BZ.
BE-014	PMH, PFH	9272200	SCREW: M5-0.8 X 10 PHL PAN BZ (22)
BE-015	PMH, PFH	0017-00042-1055	GROMMET: PLASTIC; #6 OR #8 (20)
BE-016	PMH, PFH	0017-00101-2068	M4 X 0.7-6G6G X 12 DIN PHL PAN MS ST ZB (12)
BE-017	PMH, PFH	9276700	M4 X 0.7-6G6G X 16 DIN PHL PAN MS ST BZ (5)
BE-018	PMH, PFH	1003844-0002	ASSEMBLY: MDB, PC BOARD ASSY, POWERMILL
BE-019	PMH, PFH	1004808-0001	POWER SUPPLY: 100-240VAC TO 24VDC, 5A, 2.5MM PLUG
BE-020	PMH, PFH	1006539-0001	WLDMT: COVER, MOTOR CONTROLLER, BACK

Drive System

Parts listed on following page.

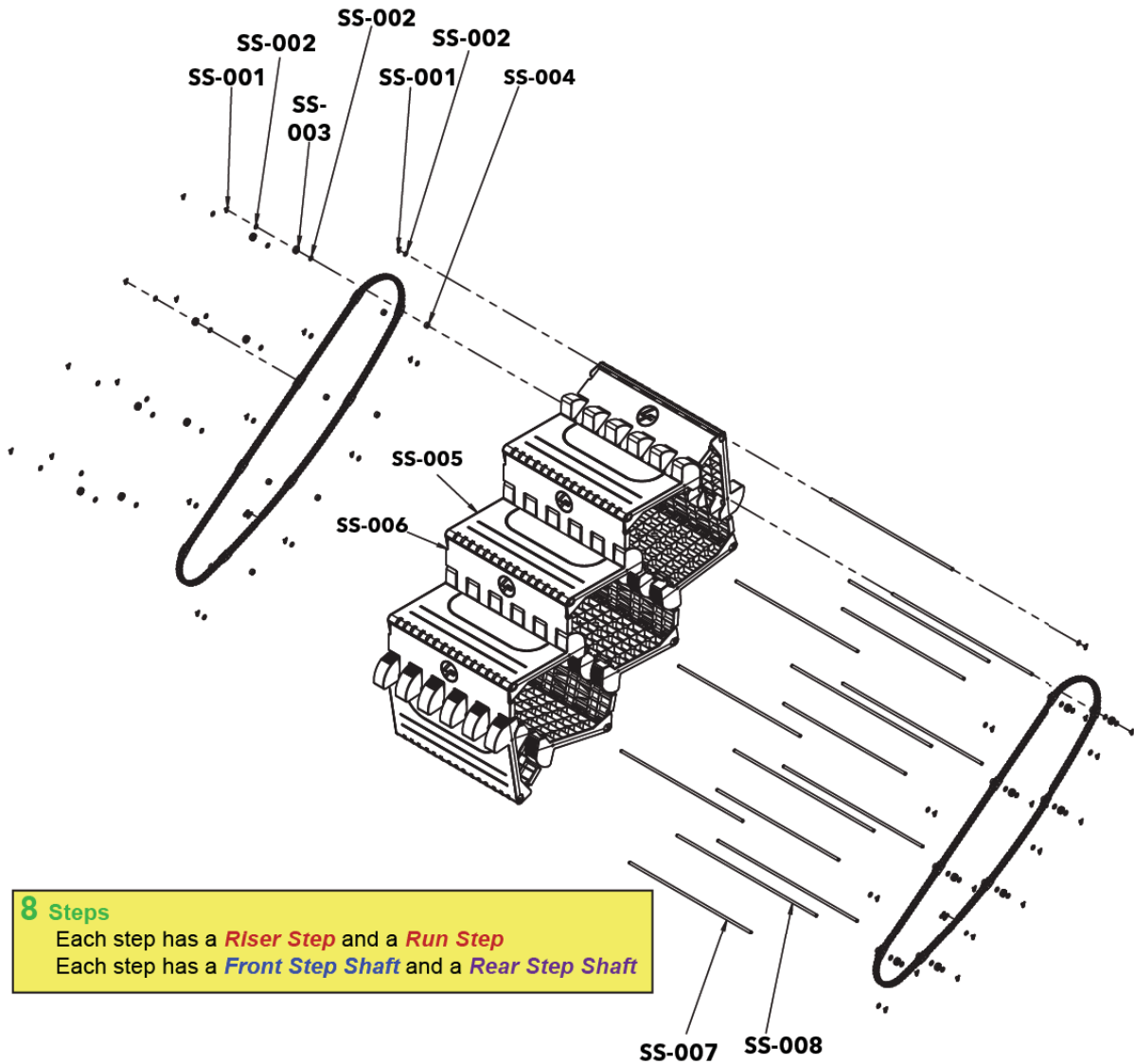


Drive System (continued)

Parts List

Item	Alpha Code	Part Number	Description (Quantity)
PB-001	PMH, PFH	9255000	WLDMT; SHAFT LOWER (SPROCKET ASSY)
PB-002	PMH, PFH	9273800	WELDMENT: SPROCKET TENSIONER
PB-003	PMH, PFH	9255100	BAR: WEAR LOWER RT
PB-004	PMH, PFH	9255200	BAR: WEAR TOP (2)
PB-005	PMH, PFH	9255300	SPACER: TRACK END MOUNTS (10)
PB-006	PMH, PFH	9274400	SPACER: SPROCKET, TENSIONER
PB-007	PMH, PFH	9248400	WLDMT, MAIN AXLE
PB-008	PMH, PFH	9274300	BRG: BAL, 6202ZZ 15MM X 35MM X 11MM
PB-009	PMH, PFH	9254700	PILLOW BLOCK: P204 (2)
PB-010	PMH, PFH	9282100	PILLOW BLOCK P205 (2)
PB-011	PMH, PFH	9271600	WASHER: STEEL 8MM ID X 20MM OD X 3MM THK
PB-012	PMH, PFH	9271700	WASHER: STEEL 8MM ID X 28MM OD X 2.5MM THK (12)
PB-013	PMH, PFH	9271800	WASHER: STEEL 10MM ID X 22MM OD X 2MM THK (8)
PB-014	PMH, PFH	9274200	RING: INTERNAL 35MM BORE
PB-015	PMH, PFH	9282900	SCREW: M8 X 1.25-6G6G X 65 DIN HEX L CS ST ZB
PB-016	PMH, PFH	9272700	SCREW: M8 X 1.0-6G6G X 95 DIN HEX L CS ST ZS (10)
PB-017	PMH, PFH	9285600	M10 X 1.5-6G6G X 50 DIN HEX CS ST ZN BOLT (2)
PB-018	PMH, PFH	9273000	SCREW: SHCS; M10-1.5 X 35 BZ (8)
PB-019	PMH, PFH	9273200	SCREW: SET M8-1.25 X 20 CUP POINT BZ (2)
PB-020	PMH, PFH	9272200	SCREW: M5-0.8 X 10 PHL PAN BZ (16)
PB-021	PMH, PFH	0017-00103-0328	NUT: M8 X 1.25 JAM D ST ZN (2)
PB-022	PMH, PFH	0017-00103-0384	NUT: M10 X 1.5 JAM (2)
PB-023	PMH, PFH	9274500	NUT: M8, NYLON LOCKING LOW HEIGHT ST CZ (8)
PB-024	PMH, PFH	1006540-0001	ASSY: BRKT SIB SUPPORT
PB-025	PMH, PFH	1003158-0012	PC BOARD ASSY: SYSTEM INTERFACE BOARD - POWERMILL
PB-026	PMH, PFH	0017-00101-1968	M4 X 0.7 X 10 PHL PAN TT ST ZS (6)

Step System



Parts List

Item	Alpha Code	Part Number	Description (Quantity)
SS-001	PMH, PFH	9258000	8MM CRIMP STYLE RETAINING RING (32)
SS-002	PMH, PFH	9258100	WSHR: 8MM ID X 15MM OD (48)
SS-003	PMH, PFH	9258400	BEARING: STEP SHAFTS (16)
SS-004	PMH, PFH	9258300	SPACER: STEP CHAIN (16)
SS-005*	PMH, PFH	9257700	STEP: TREAD (8)
SS-006*	PMH, PFH	9257800	STEP: RISER (8)
SS-007	PMH, PFH	9587300	SHAFT: STEP FRONT (8)
SS-008	PMH, PFH	9587400	SHAFT; STEP REAR (8)

* When replacing a step it may be necessary to order replacement front and rear step shafts.

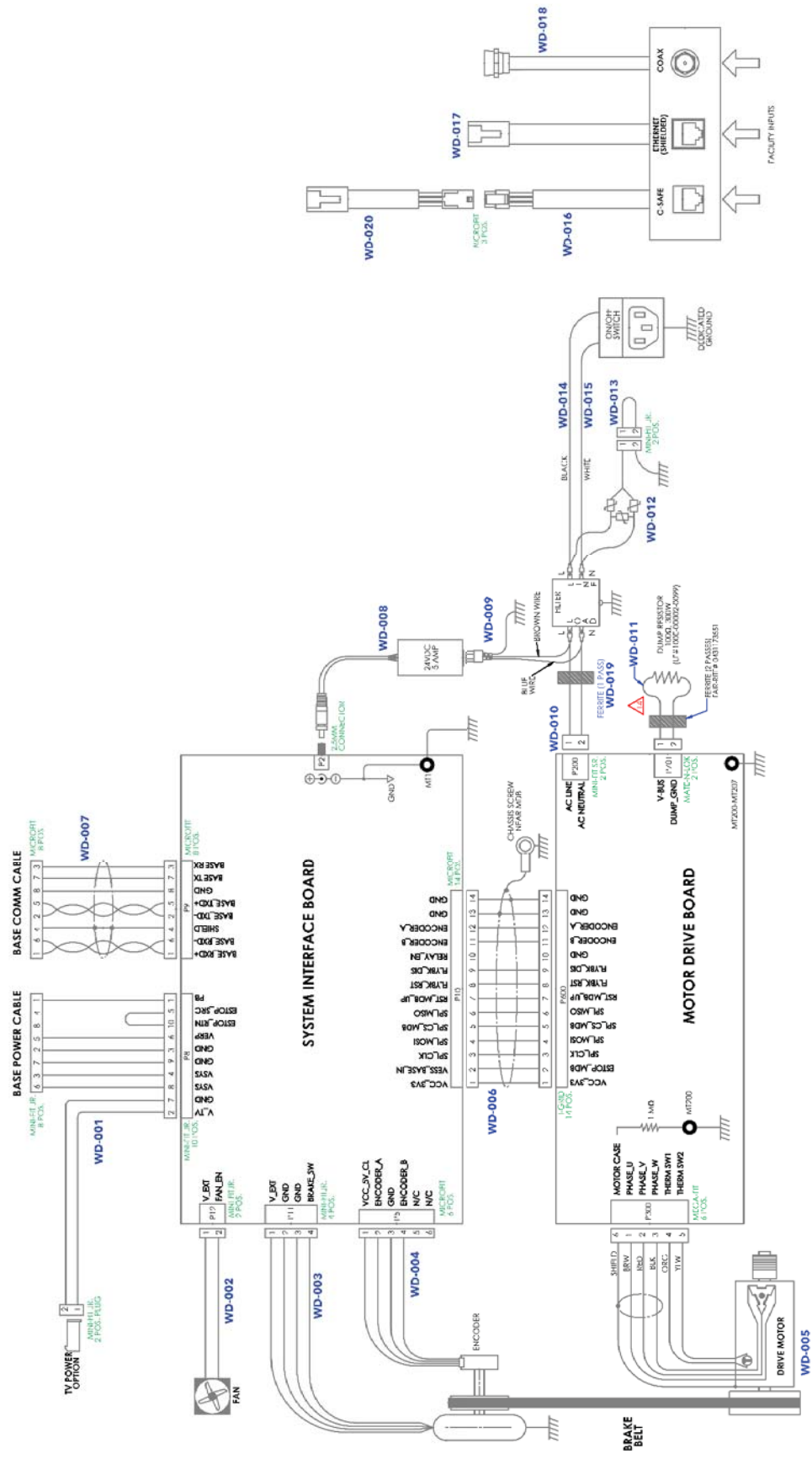
Wiring Diagram - Base

Illustration on following page.

Parts List

Item	Alpha Code	Part Number	Description (Quantity)
WD-001	PMH, PFH	1006547-0001	CBL ASSY: CONSOLE TO BASE, POWER
WD-002	PMH, PFH	9264300	CBL ASSY: FAN 1
WD-003	PMH, PFH	9264500	CBL ASSY: POWER BRAKE
WD-004	PMH, PFH	9264100	CBL ASSY: ENCODER
WD-005	PMH, PFH	1002167-0000	MOTOR: AC, 4HP, INDUCTION
WD-006	PMH, PFH	1006548-0001	CBL ASSY: SIB -MDB
WD-007	PMH, PFH	1006544-0001	CBL ASSY; CONSOLE TO BASE, SIGNAL
WD-008	PMH, PFH	1004808-0001	POWER SUPPLY: 100-240VAC TO 24VDC, 5A, 2.5MM PLUG
WD-009	PMH, PFH	1006546-0001	CBL ASSY: LINE FILTER TO POWER SUPPLY
WD-010	PMH, PFH	1006549-0001	CBL ASSY: FILTER - MDB
WD-011	PMH, PFH	1007706-0001	ASSY: CBL RESISTOR
WD-012	PMH, PFH	9263500	CBL ASSY: MOV; FILTER
WD-013	PMH, PFH	9263600	CBL ASSY: HI-POT JUMPER
WD-014	PMH, PFH	1006543-0001	CBL ASSY: AC SWITCH TO FILTER, WHT
WD-015	PMH, PFH	1006542-0001	CBL ASSY: AC SWITCH TO FILTER BLK
WD-016	PMH, PFH	9264700	CBL ASSY: C-SAFE
WD-017	PMH, PFH	9264600	CBL ASSY: EHTERNET
WD-018	PMH, PFH	9264800	CBL ASSY: COAX
WD-019	PMH, PFH	121E-00001-0010	FERRITE-BEAD: SUPPRESSION B
WD-020	PMH, PFH	9265800	CBL ASSY, C-SAFE EXTENSION

Wiring Diagram - Base



Wiring Diagram - Console - Integrity X / Integrity C

Illustration on following page.

Parts List

Item	Alpha Code	Part Number	Description (Quantity)
WX-001	PMH, PFH	9265500	CBL ASSY: LIFE PULSE, HANDLES
WX-002	PMH, PFH	1006545-0001	CBL ASSY: LIFE PULSE TO ELECTRODE
WX-003	PMH, PFH	1006547-0001	CBL ASSY: CONSOLE TO BASE, POWER
WX-004	PMH, PFH	1006544-0001	CBL ASSY; CONSOLE TO BASE, SIGNAL
WX-005	PMH, PFH	1006550-0001	CBL ASSY: CONSOLE BASE KEYPADS
WX-006	PMH, PFH	9266200	KEYPAD; MEMBRANE ERGOBAR LT
WX-007	PMH, PFH	9265200	CBL ASSY: SWITCH_A
WX-008	PMH, PFH	1006734-0001	CBL ASSY: CONSOLE TO KEYPAD GO/STOP
WX-009	PMH, PFH	9265300	CBL ASSY: SWITCH_B
WX-010	PMH, PFH	9266100	KEYPAD; MEMBRANE ERGOBAR RT

