

Achieve Console

LEDT-XXXXX-X, CCDT-XXXXX-XX, LEDN-XXXXX-XX, CCDN-XXXXX-XX

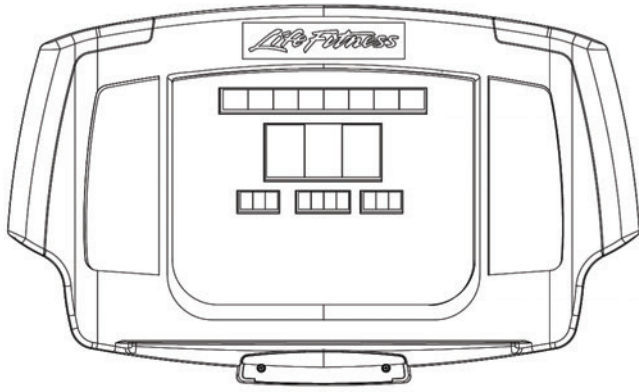
Parts Manual

19.06.12

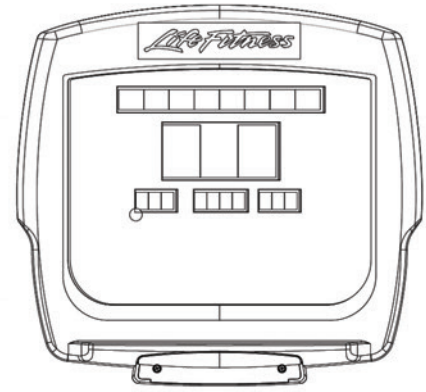
Table of Contents

Console Assemblies and Hardware	2
PCB and Cable Locator	4
PCBs and Mounting Hardware	5
Cables	6

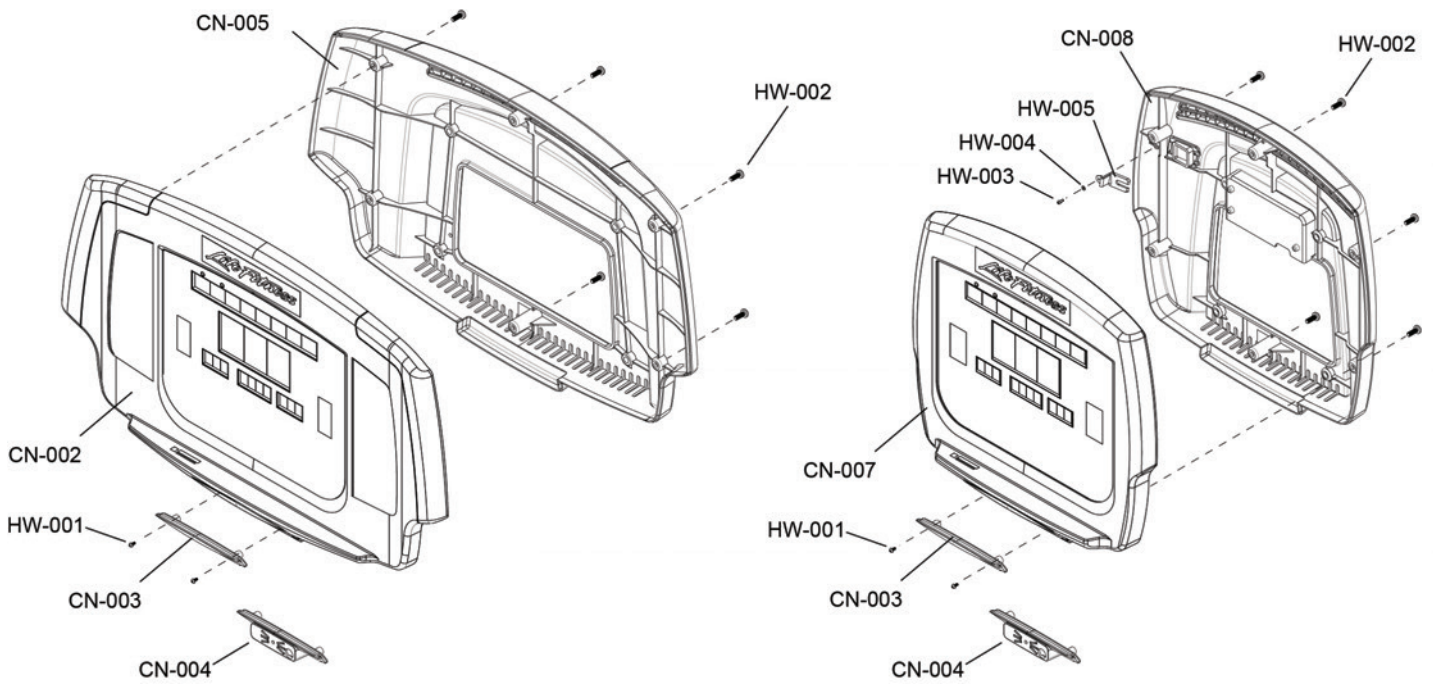
Console Assemblies and Hardware



CN-001



CN-006



Console Parts List

Item	Alpha Code	Part Number	Description
CN-001	LED	LEDT-DOMXX-01	LED TREADMILL CONSOLE DOM
"	LET	LEDT-INTXX-01	NC LED TREADMILL CONSOLE INT
"	LEF	LEDT-IFIXX-01	IFI LED TREADMILL CONSOLE
"	CCT	CCDT-INTXX-01	CCD TREADMILL CONSOLE INT
CN-002	LED	GK70-00002-0003	OVERLAY/BEZEL/SWITCH ASSY.;LEDT/DOM KIT
"	LET	GK70-00002-0004	OVERLAY/BEZEL/SWITCH ASSY.;LEDT/INT KIT
"	LEF	GK70-00002-0008	IFI CONS-SERVICE-ASSY; LED; TREAD; BEZEL, KEYPAD AND OVERLAY
"	CCT	GK70-00002-0010	OVERLAY/BEZEL/SWITCH ASSY: NDT TREADMILL

Console Parts List (Continued)

Item	Alpha Code	Part Number	Description
CN-003*	LED, LET, LEF, CCT, LEN, LEI, LEM, CCN	0K70-01039-0000	Panel: Cover; ABSPC
CN-004	LED, LET, LEF, CCT, LEN, LEI, LEM, CCN	0K70-01052-0000	Panel: Wired Remote Control Mount
CN-005	LED, LET, LEF, CCT	AK70-00014-0000	ASSY: CONSOLE BACK CASE/FASTENER; Ti/Te, PURCH
CN-006	LEN	LEDN-DOMXX-01	LED BIKE/CT CONSOLE DOM
"	LEI	LEDN-INTXX-01	LED Bike/CT Console - International
"	LEM	LEDN-IFIXX-01	IFI LED BIKE/CT CONSOLE
"	CCN	CCDN-INTXX-01	CCD BIKE/CT CONSOLE INT
CN-007	LEN	GK70-00002-0001	OVERLAY/BEZEL/SWITCH ASSY.;LEDN/DOM KIT
"	LEI	GK70-00002-0002	OVERLAY/BEZEL/SWITCH ASSY.;LEDN/INT KIT
"	LEM	GK70-00002-0007	IFI CONS-SERVICE-ASSY; LED; NON-TREAD; BEZEL, KEYPAD AND OVERLAY
"	CCN	GK70-00002-0009	OVERLAY/BEZEL/SWITCH ASSY: NDT BIKE/CT
CN-008	LEN, LEI, LEM, CCN	AK70-00017-0000	ASSY: CONSOLE BACK CASE/FASTENER; NON- TREAD, PURCH

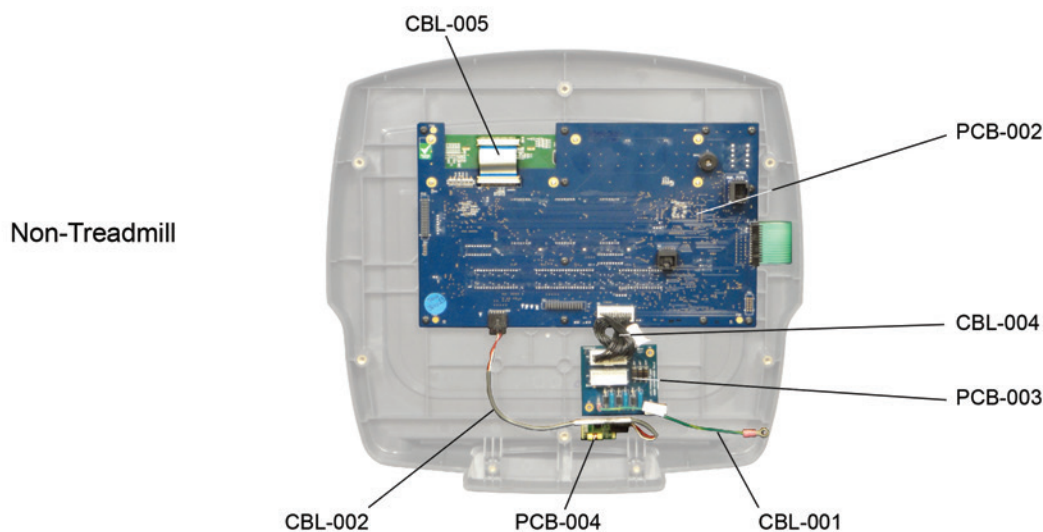
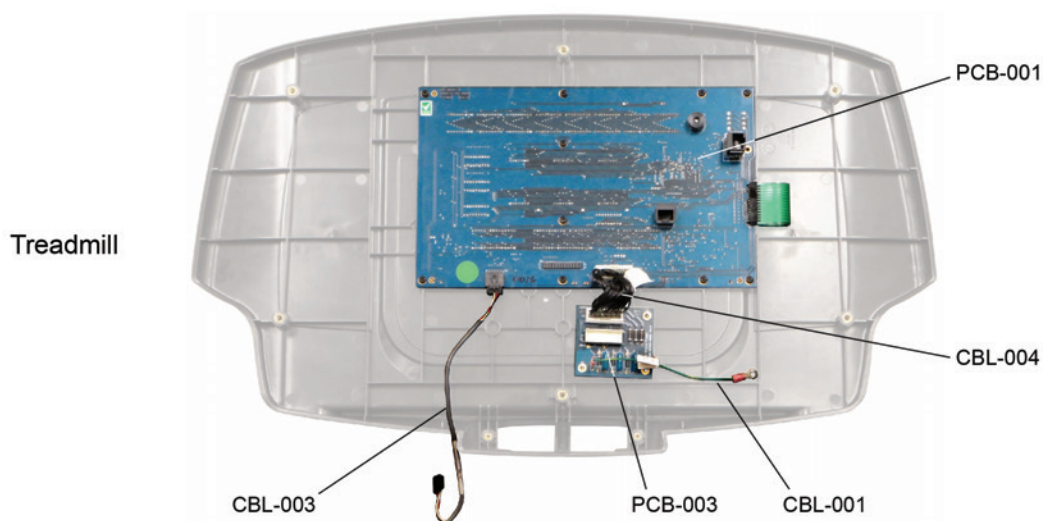
* This part not available for purchase. Reuse when replacing Overlay/Bezel/Switch Assembly (Item CN-002)

Hardware Parts List

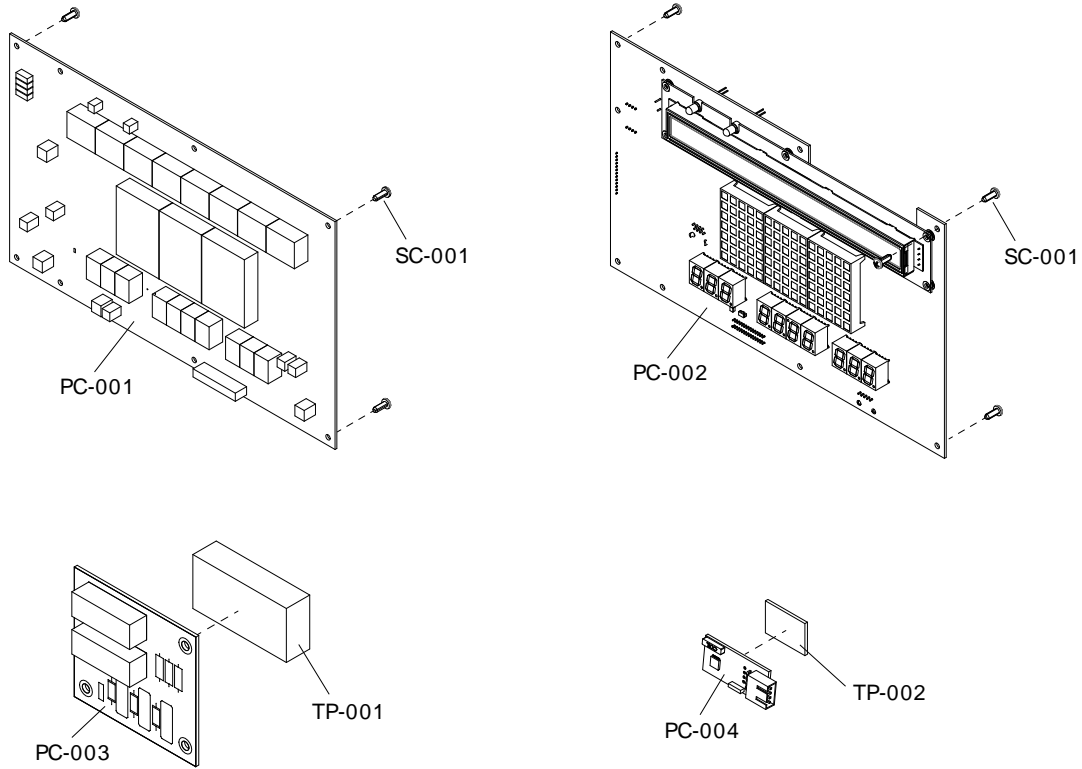
Item	Alpha Code	Part Number	Description
HW-001	LED, LET, LEF, CCT, LEN, LEI, LEM, CCN	0017-00101-1938	M3.0X.5-6G6G X8.0 DIN PHL S PAN MS ST SS
HW-002	LED, LET, LEF, CCT, LEN, LEI, LEM, CCN	0017-00101-1972	M5 X .8 - 6g6g X 14 DIN PHL PAN MS ST ZB
HW-003	LEN, LEI, LEM, CCN	0017-00101-1650	VMI 6-19X 6 PHL PAN PLT ST BZ B
HW-004	LEN, LEI, LEM, CCN	0017-00104-0456	WSH 6 156-.310-030 FL-D ST ZN B
HW-005	LEN, LEI, LEM, CCN	0K70-01008-0000	DOOR: CSAFE

PCB and Cable Locator

Use this *PCB and Cable Locator* in conjunction with the *PCB and Associated Hardware* and *Cable* sections on following pages. This illustration is for reference only and actual parts may look different than shown.



PCBs and Mounting Hardware



PCB Parts List (All)

Item	Alpha Code	Part Number	Description
PC-001	LED, LET, LEF	A084-92350-0000	GEMINI Console Board; Tread
"	LEN, LEI, LEM	A084-92350-0100	GEMINI Console Board; non-Tread
PC-002	CCT	A084-92360-0000	GEMINI Console w/LCD Module; Tread
"	CCN	A084-92360-0100	GEMINI Console w/LCD Module; non-Tread
PC-003	LED, LET, LEF, CCT	B084-92355-0000	LifePulse ESD Board; Tread
"	LEN, LEI, LEM, CCN	B084-92355-0001	LifePulse ESD Board; non-Tread
PC-004	LEN, LEI, LEM, CCN	118E-00001-0244	Heart Rate Receiver: Coded; RE07L

Mounting Hardware (Screws)

Item	Alpha Code	Part Number	Description
SC-001	LED, LET, LEF, CCT, LEN, LEI, LEM, CCN	0017-00101-1650	VMI 6-19X 6 PHL PAN PLT ST BZ B

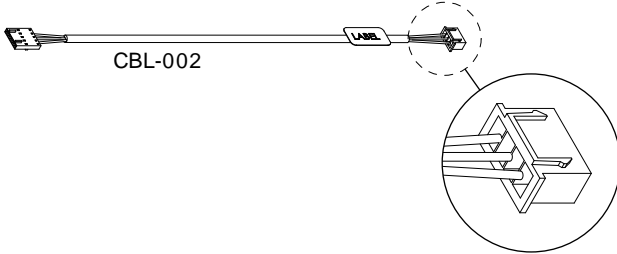
Tape

Item	Alpha Code	Part Number	Description
TP-001	LED, LET, LEF, CCT, LEN, LEI, LEM, CCN	0K70-01069-0000	Tape: Foam double sided
TP-002	LEN, LEI, LEM, CCN	0K39-01044-0000	Double sided tape

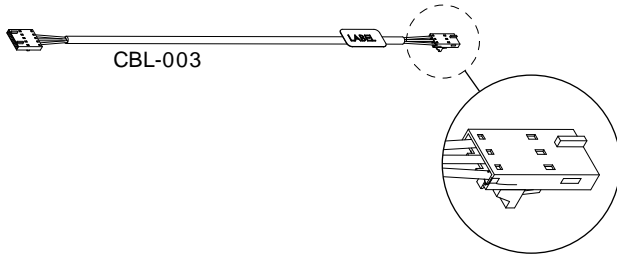
Cables



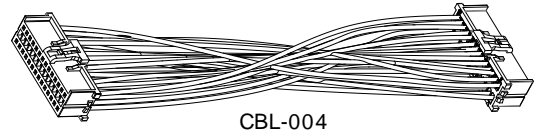
CBL-001



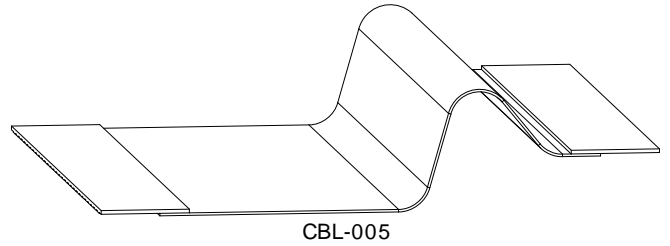
CBL-002



CBL-003



CBL-004



CBL-005

Parts List

Item	Alpha Code	Part Number	Description
CBL-001	LED, LET, LEF, CCT, LEN, LEI, LEM, CCN	AK65-00103-0003	CBL ASSY GROUND ESD
CBL-002	LEN, LEI, LEM, CCN	AK69-00119-0000	CBL ASSY: POLAR PCB TO MIB
CBL-003*	LED, LET, LEF, CCT	AK70-00037-0000	CABLE ASSY: POLAR EXTENSION
CBL-004	LED, LET, LEF, CCT, LEN, LEI, LEM, CCN	AK70-00063-0000	CBL-ASSY: CONSOLE; ESD
CBL-005	CCT, CCN	118E-00001-0252	CBL: FLAT-FLEX; FFC, 1MM PITCH, 30 PIN

* This Item is not included with Overlay/Bezel Assemblies for Treadmills