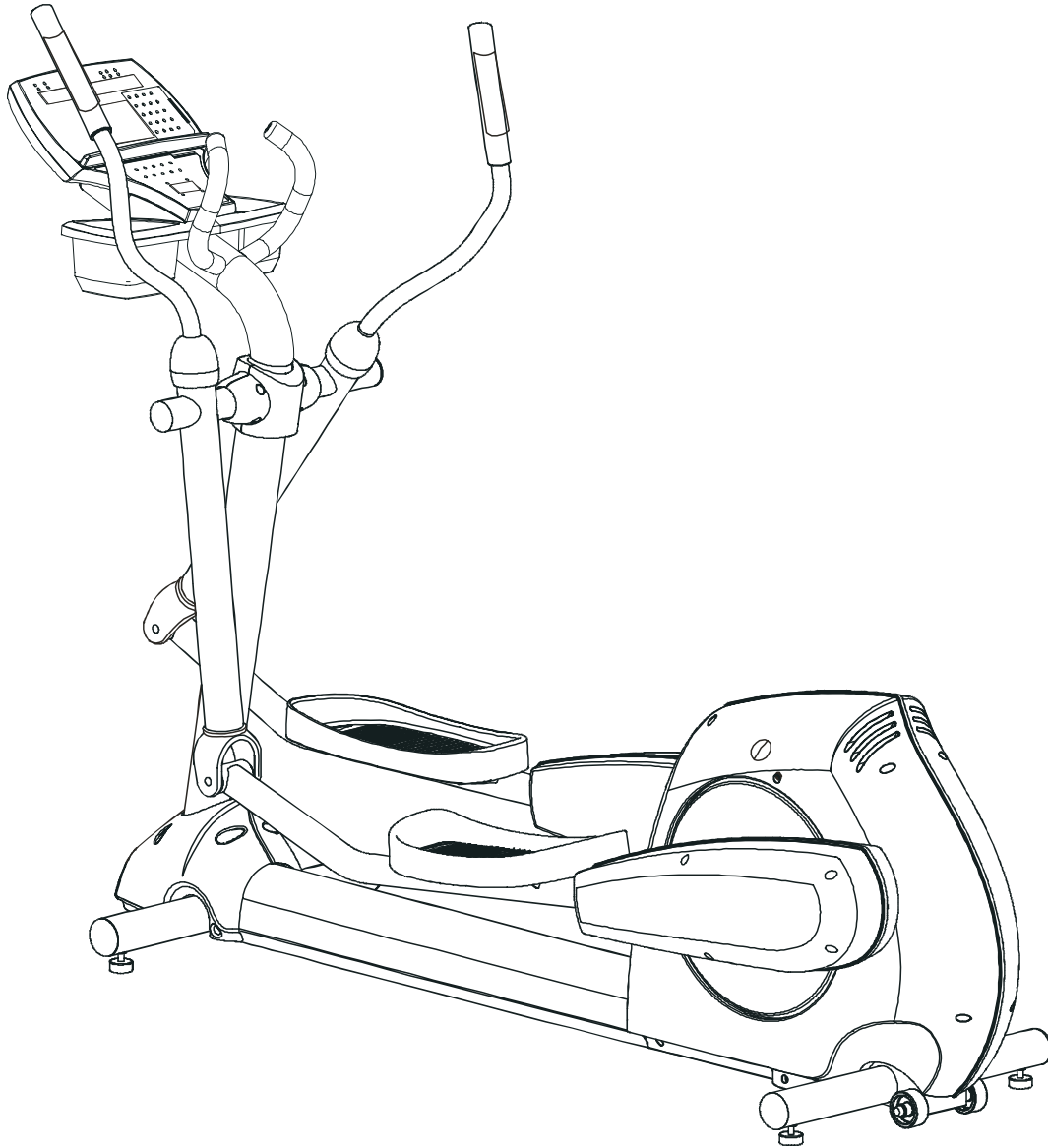


LifeFitness

91Xi CROSS-TRAINER (91X-0XXX-02)

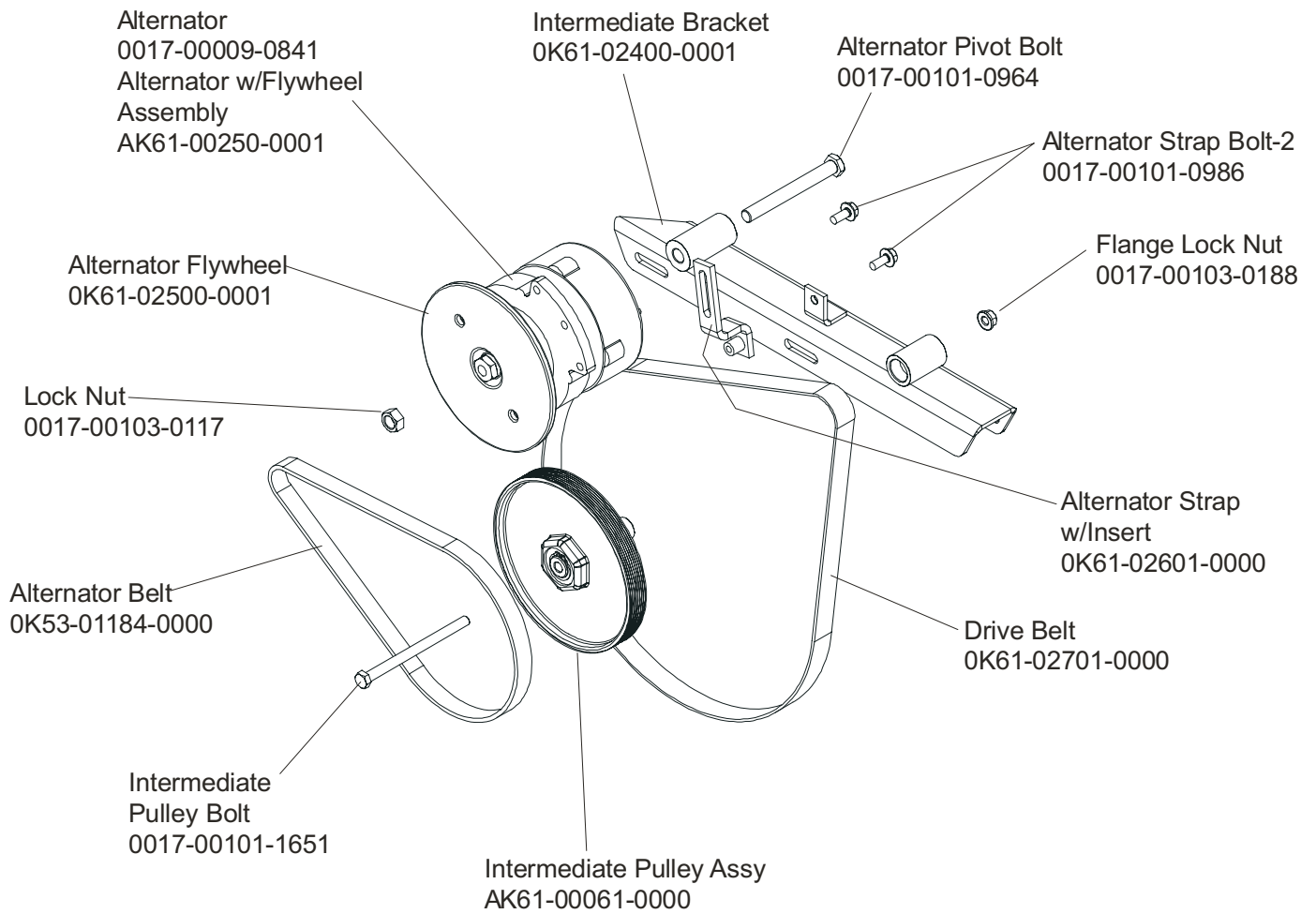


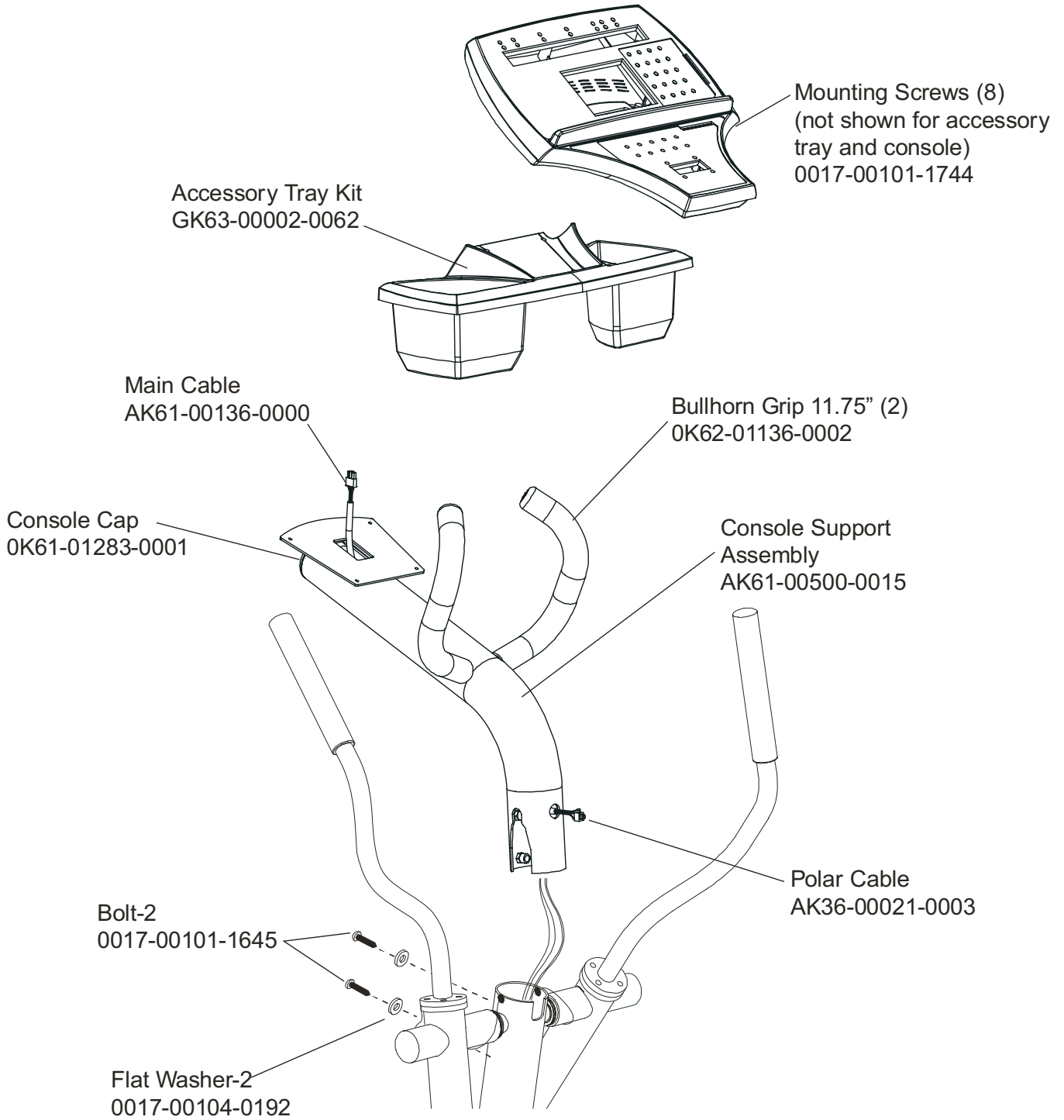
Customer Support Services
PARTS MANUAL rev 16 Jun 2010

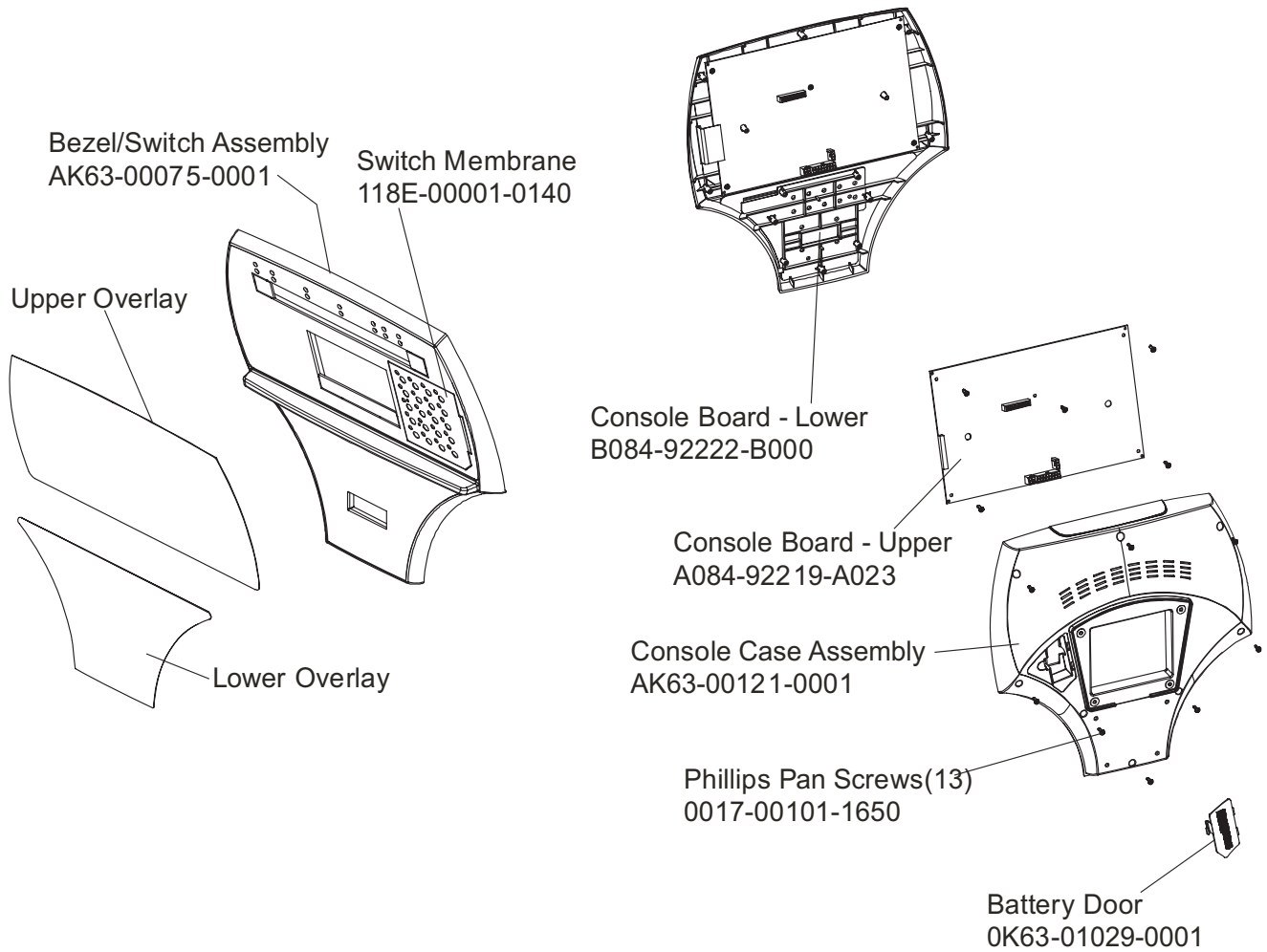
Miscellaneous	3
Drive Belts and Alternator	4
Console Support Assembly	5
Console Assembly	6
Roller Assembly.....	7
Crankshaft Assembly.....	8
Drive Linkage Assembly	9
Anti-lift Bracket and Outer Pedal Covers	10
Frame Assembly	11
Clevis and Front Frame Covers	12
Pedal Lever Assembly	13
Rocker Arm Covers	14
Rocker Arm Assembly.....	15
Rear Drive Shrouds w/Decals.....	16
Upper Arm/Heart Rate Assembly.....	17
Cables	18

Description	Part No.
OPERATION MANUAL	M051-00K61-A111
SERVICE MANUAL	M051-00K61-A114
ARCTIC SILVER TOUCH UP PAINT: SPRAY CAN .5 OZ BOTTLE W/APPLICATOR .33 OZ PEN	0017-00008-0204 0017-00008-0205 0017-00008-0206
ACCESS PANEL ASSEMBLY CONTENTS: AK32-00020-0002 AK32-00078-0001 OK61-01373-0000 0017-00021-2846 OK32-01063-0000	AK61-00190-0000 120" COAX CABLE 120" POWER EXTENSION CABLE ACCESS BRACKET F-TYPE PANEL CONNECTOR VOLTAGE DECAL
STEALTH GRAY TOUCH UP PAINT (FOR ROCKER ARMS): SPRAY CAN .5 OZ BOTTLE W/APPLICATOR	0017-00008-0199 0017-00008-0198
HARDWARE BAG	AK61-00181-0000

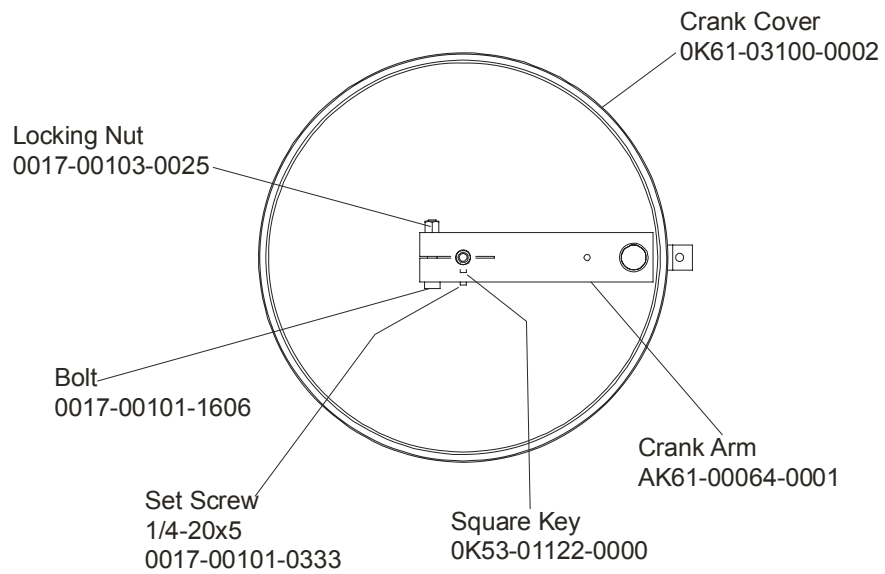
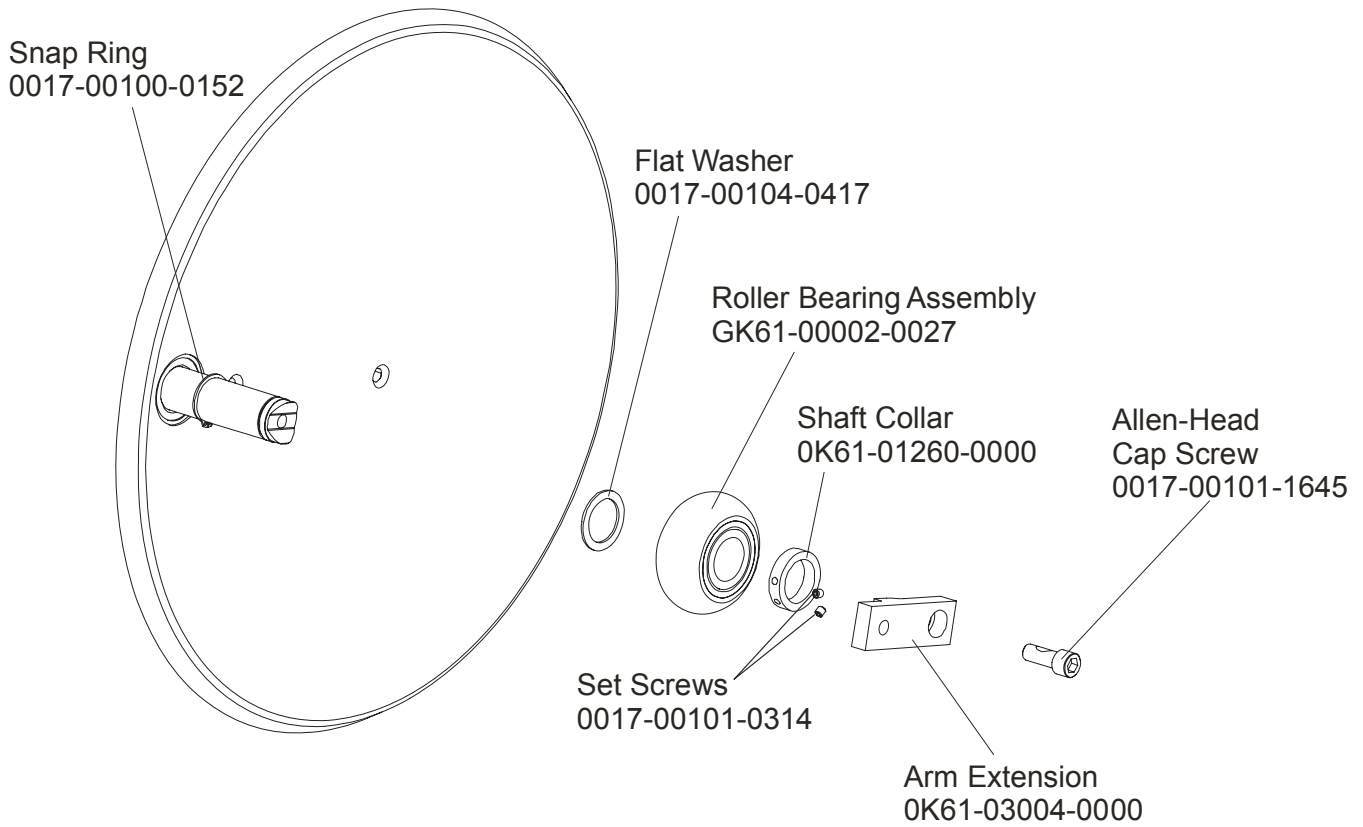
Cross-trainer model 91X-0XXX-02 has both telemetry and Lifepulse sensors for heart rate. It is also C-SAFE ready and pre-wired for add-on TV.

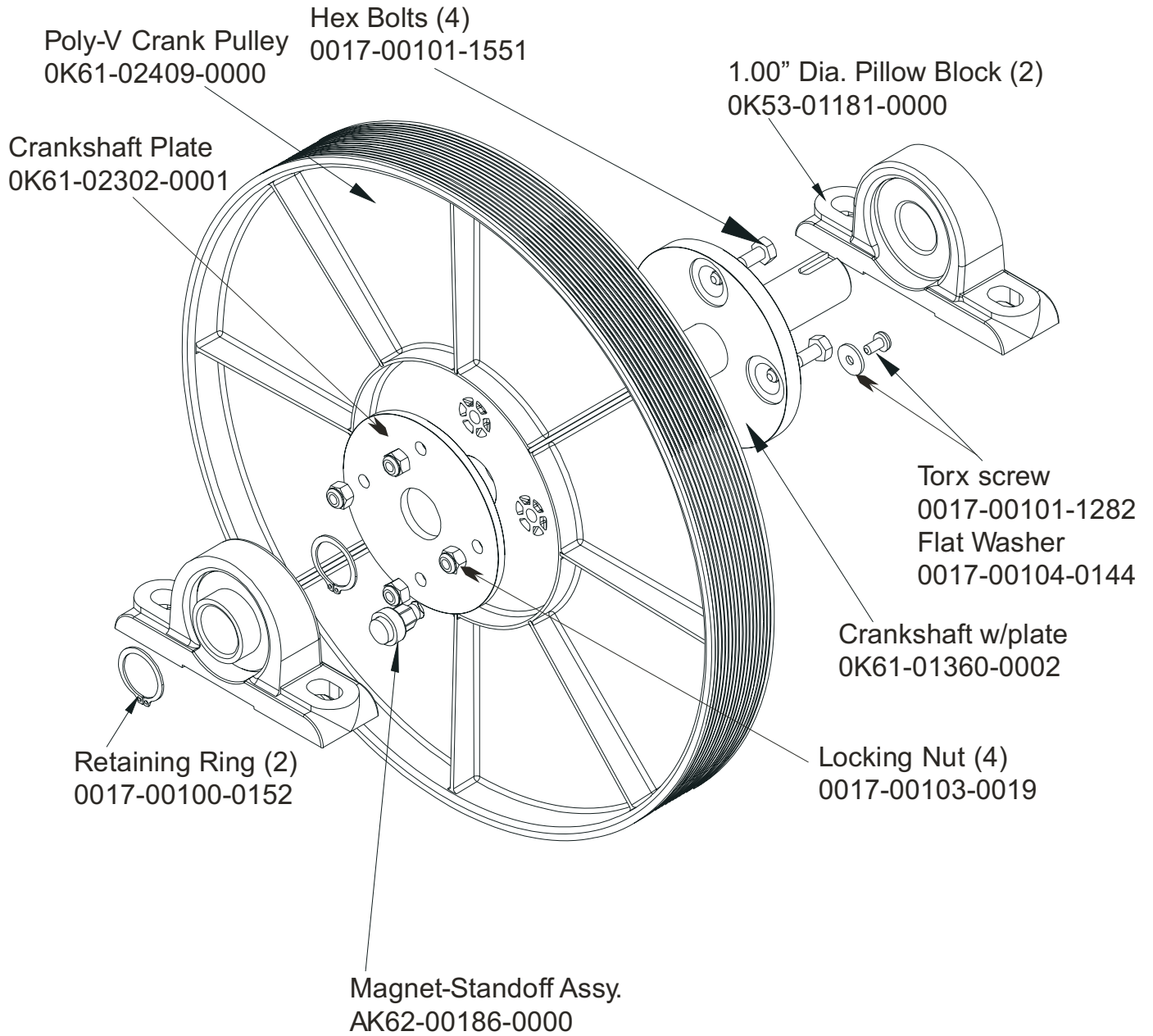


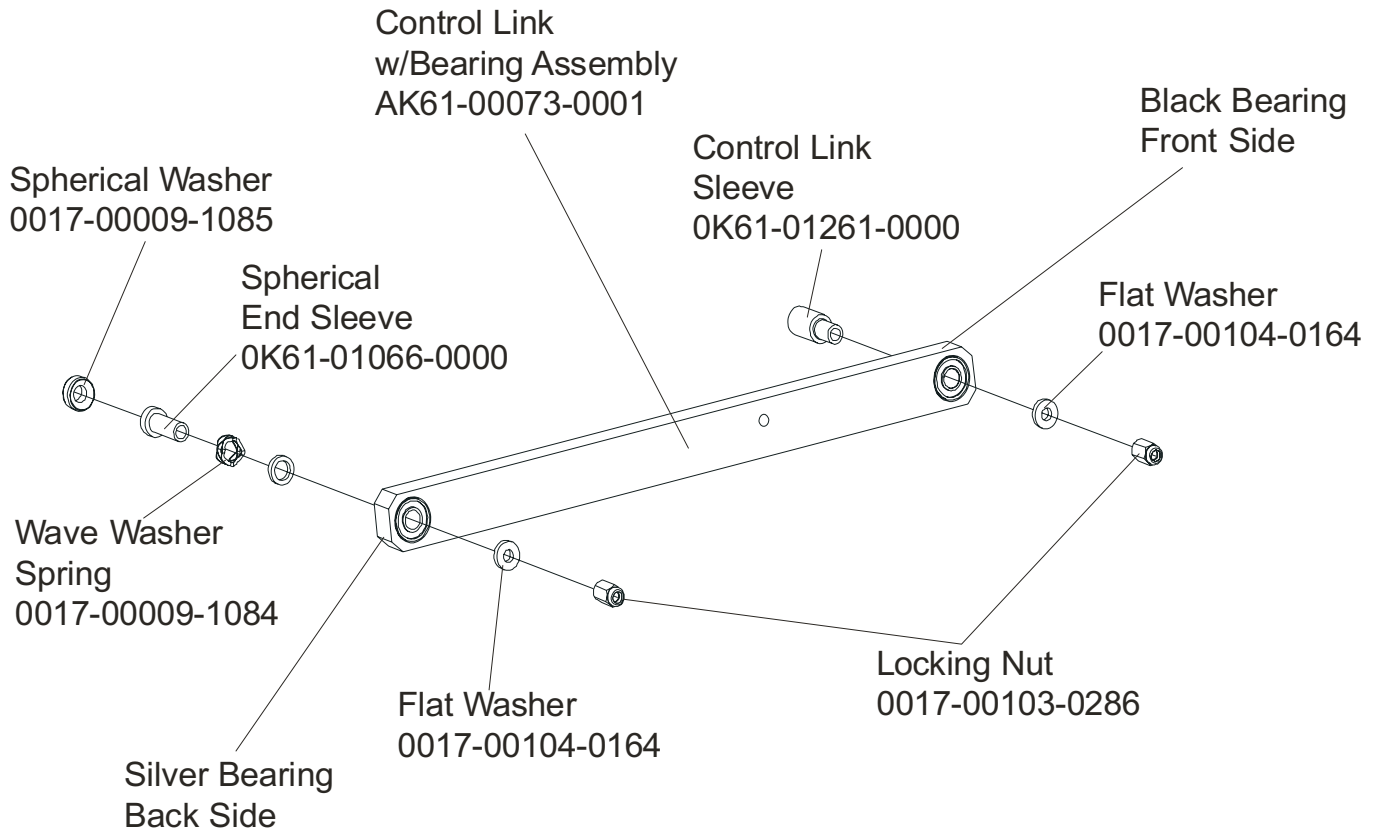


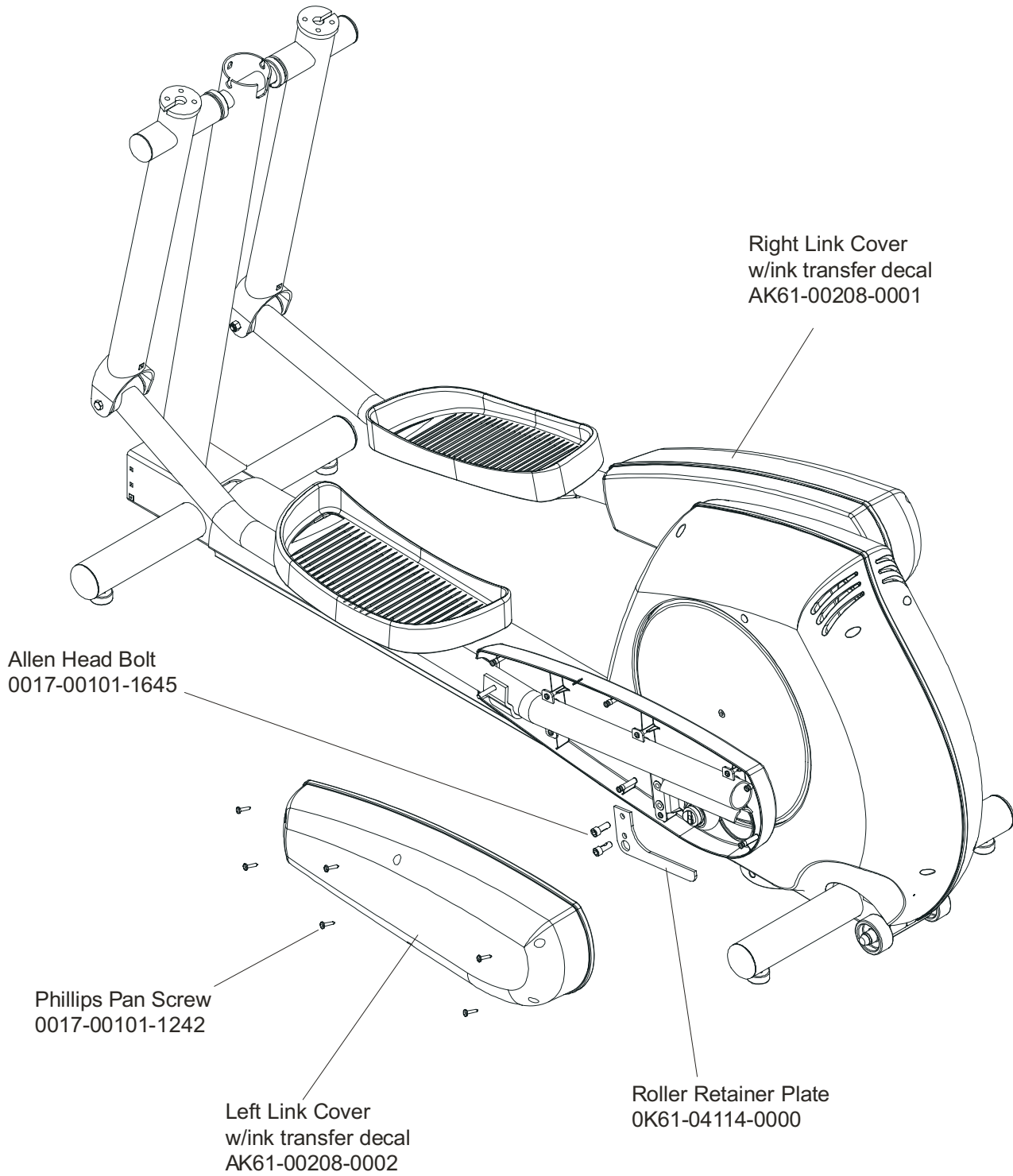


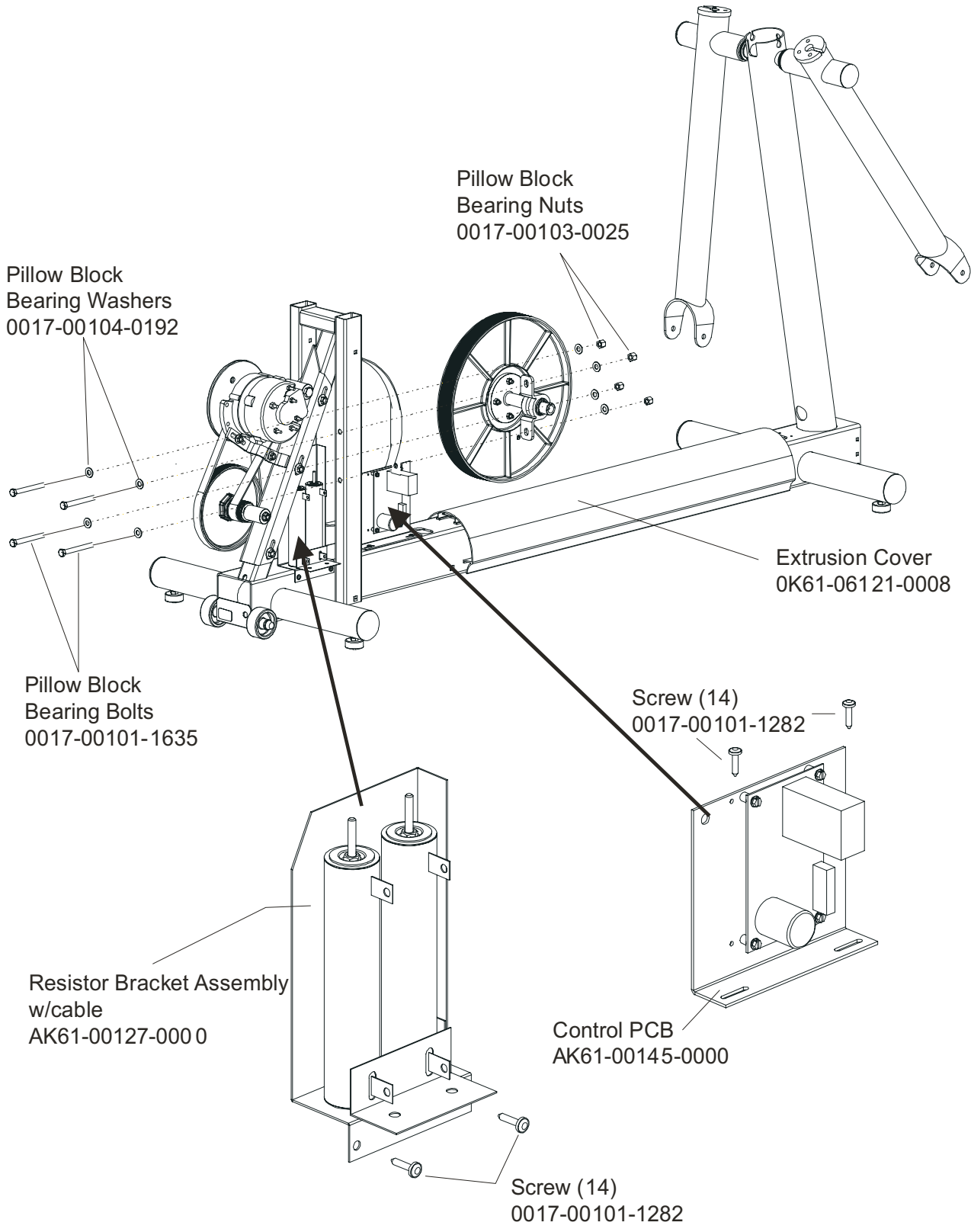
Console Assembly	Overlay/Bezel/ Switch Assembly
AK61-00206-0001 Eng/Eng	AK61-00207-0001
AK61-00206-0002 Eng/Met	AK61-00207-0001
AK61-00206-0004 Spn/Met	AK61-00207-0004
AK61-00206-0007 Frn/Met	AK61-00207-0007
AK61-00206-0010 Por/Met	AK61-00207-0010

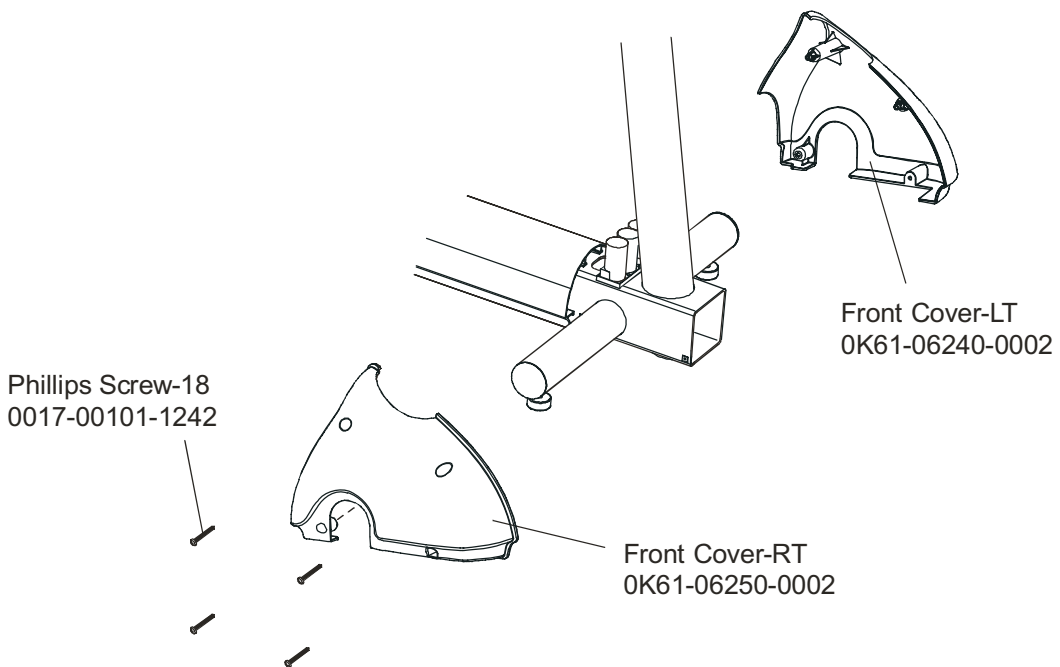
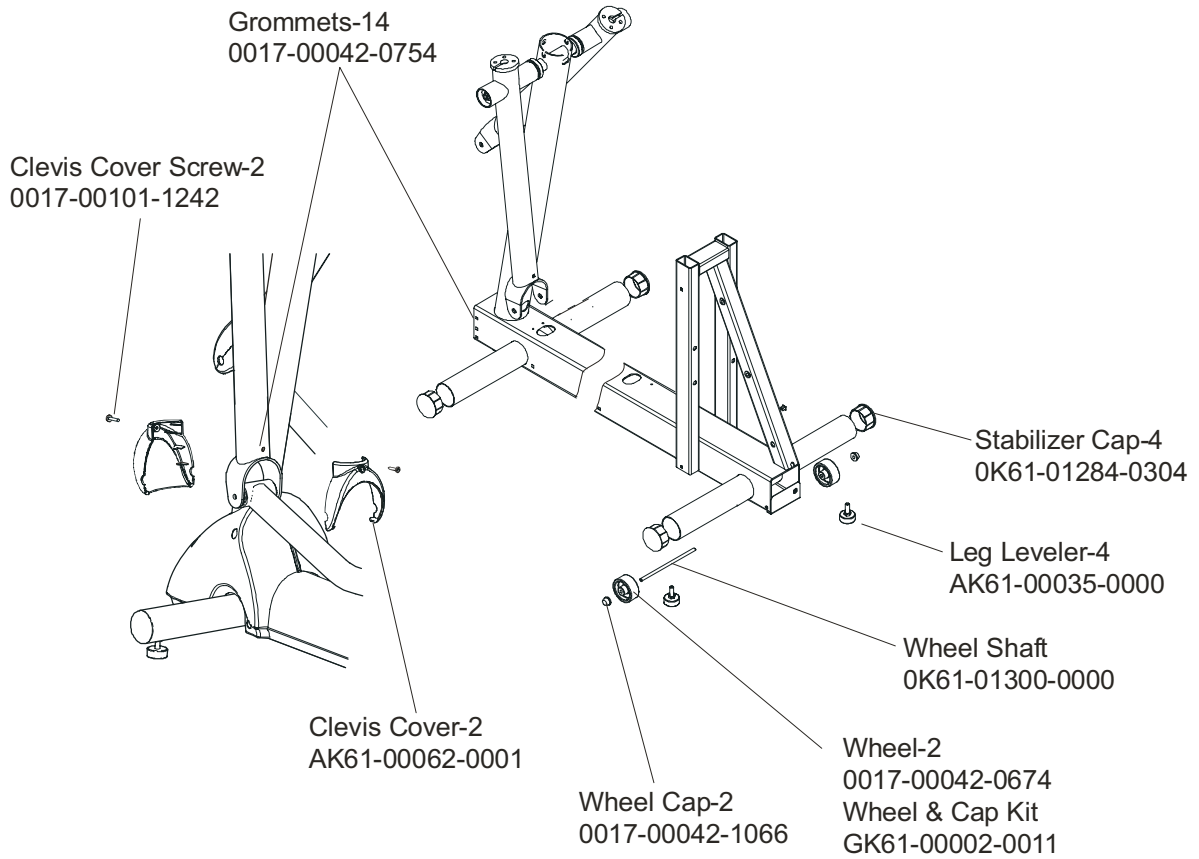


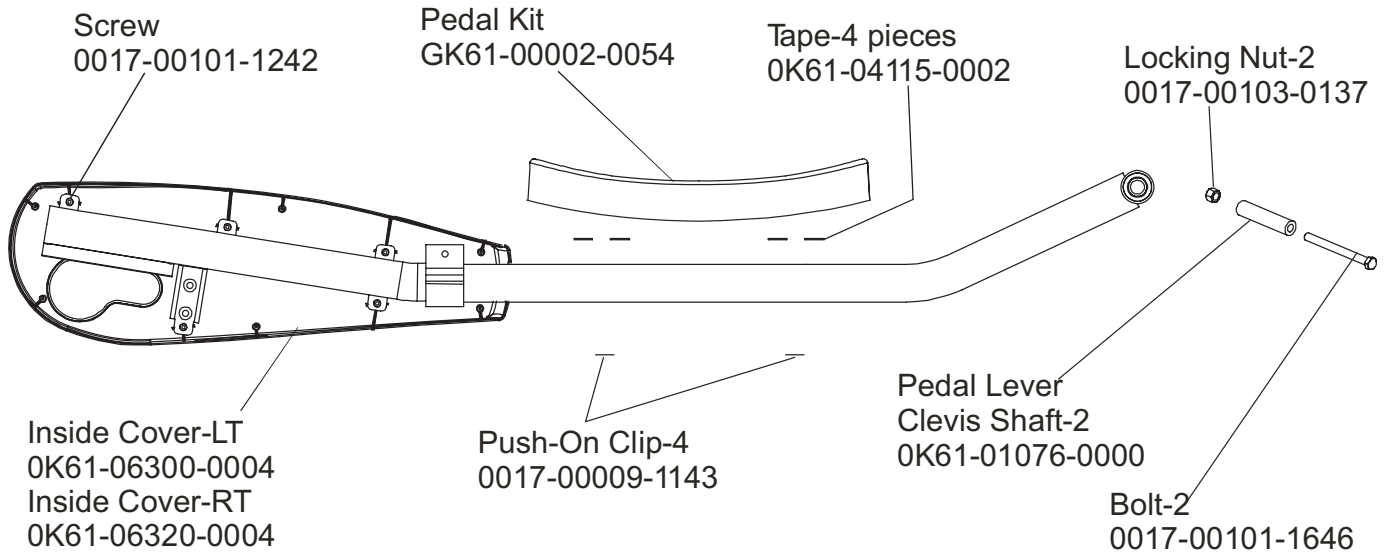












Left Pedal Assembly AK61-00172-0002
Right Pedal Assembly AK61-00172-0001

