

Integrity CSX/CLSX Cross-Trainer

CSX-XXXXX-XX, CLSX-XXXXX-XX, CLSX-XXXXX-02PF, CLSX-XXXXX-03PF

Parts Manual

09.15.14



Table of Contents

Miscellaneous	2
Console Assembly	3
Heart Rate System	6
Base Electronics (BE)	7
Parts	7
Drive System (DS)	8
Drive Belts and Alternator	8
Roller Assembly	9
Crankshaft Assembly	10
Anti-Lift Bracket and Outer Pedal Covers	11
Pedal Lever Assembly	12
Rocker Arm Assembly	13
Dead Shaft Covers	14
Upper Frame System (UF)	15
Lower Frame System (LF)	17
Pillow Block, Extrusion Cover	17
Clevis and Front Frame Covers	18
Rear Drive Shroud with Decals	19
Linkage System (LS)	20
Wiring	21
Cables and Wiring Diagram	22

Miscellaneous

Miscellaneous Part Numbers

Description	Part Number
Arctic Silver Touch-up Paint:	
Spray Can	0017-00008-0204
.5 oz Bottle with Applicator	0017-00008-0205
.33 oz Pen	0017-00008-0206
Shadow Gray Touch-up Paint (for Rocker Arms):	
.6 oz Bottle with Applicator	0017-00008-0210
.6 oz Pen	0017-00008-0211
Performance Purple Touch-up Paint (Planet Fitness):	
0.5 oz Brush	3249413
4.5 oz Aerosol Spray	3249313
Hex Yellow Touch-up Paint (Retro Fitness):	
12 oz Spray	8809701
0.6 oz Bottle	8809801
Access Panel Assembly	AK61-00190-0000 (CLSX only)
Panel Assembly consists of:	
Coax Cable	AK32-00020-0002
Power Cable	AK32-00078-0001
Access Bracket	0K61-01373-0000
F-Type Connector	0017-00021-2846
Plastic Grommet	0017-00042-1147
Hardware Bag	AK61-00222-0000
KIT: SERV; MFG; PLUG-IN; 120/60 DOM	GK62-00002-0018
KIT: SERV; MFG; PLUG-IN; 240/50 U.K.	GK62-00002-0019
KIT: SERV; MFG; PLUG-IN; 24V+ AUS	GK62-00002-0020
KIT: SERV; MFG; PLUG-IN; 230/50 CON	GK62-00002-0021

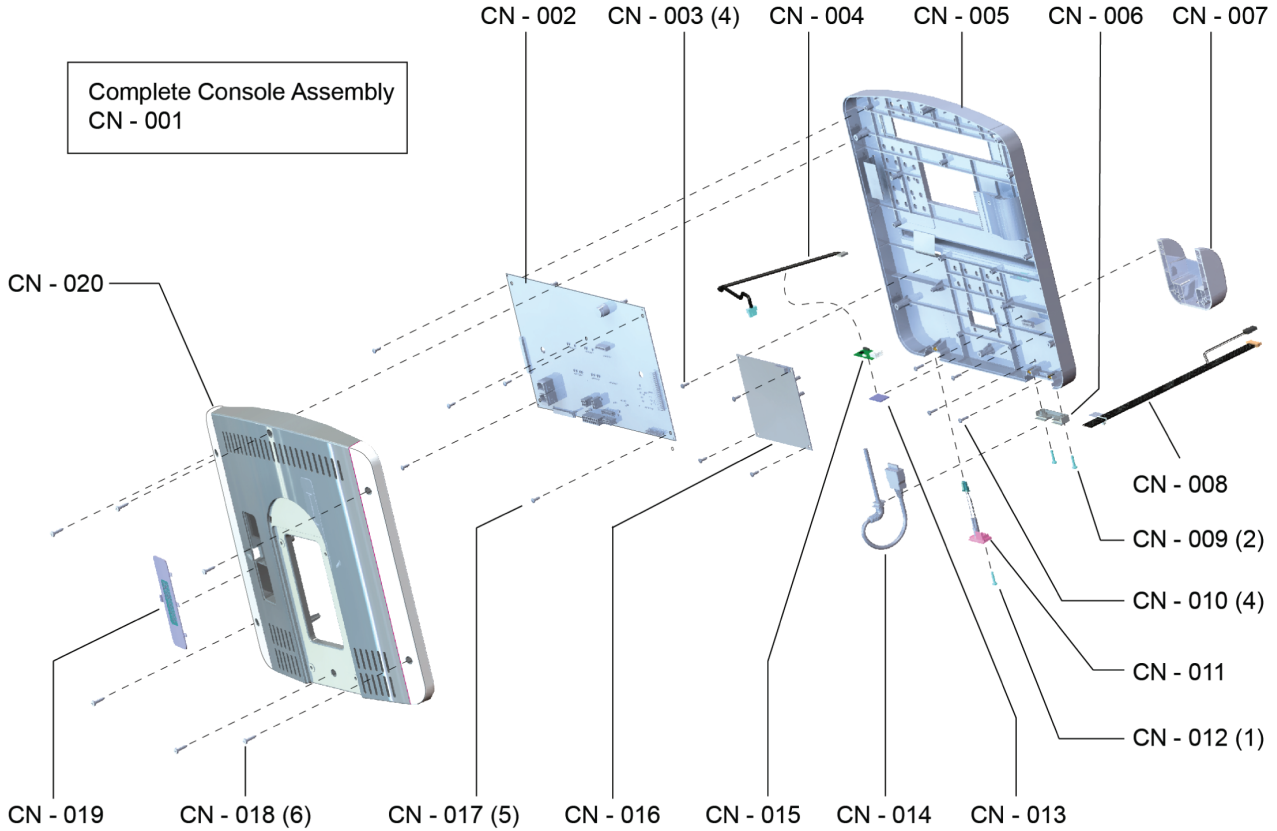
Model CLSX-0XXX-01 has both telemetry and Lifepulse sensors for heart rate.

Serial Number Table

Item Number	Alpha Code (Prefix)	Starting Serial Number	Ending Serial Number
CSX-ALLXX-01	CAX	100001	
CLSX-ALLXX-01	CXX	100001	
CLSX-ALLXX-01PF	CXX	600001	
CLSX-ALLXX-01RF	CXX	800001	
CLSX-XXXXXX-02PF	PFX	100001	
CLSX-XXXXXX-03PF	PFX	100001	
CLSX-ALLCX-01LS	CLE	100001	
CLSX-ALLXX-01LS	CLE	100001	
CLSX-ALLXX-01RFLS	CPR	100001	
CLSX-ALLXX-01PFLS	CPT	100001	
CLSX-ALLCX-01	CXR	100001	

Console Assembly

Exploded View



Parts List

Item	Alpha Code	Part Number	Description
CN-001	CXX	CLEDX-ENGEX-01N	English/English Console Assy
"	CXX8xxxxx	CLEDX-ENGEX-01RFN	English/English Console Assy - Retro Fitness
"	CXX6xxxxx	CLEDX-ENGEX-01PFN	English/English Console Assy - Planet Fitness
"	CXX	CLEDX-ENGMX-01N	English/Metric Console Assy
"	CXX	CLEDX-FRNMX-01N	German/Metric Console Assy
"	CXX	CLEDX-FRNMX-01N	French/Metric Console Assy
"	CXX	CLEDX-SPNMX-01N	Spanish/Metric Console Assy
"	CAX	CSLEDX-ENGEX-01N	English/English Console Assy - Club Series
"	CAX	CSLEDX-ENGMX-01N	English/Metric Console Assy - Club Series
"	CAX	CSLEDX-GERMX-01N	German/Metric Console Assy - Club Series
"	PFX	See Page 5	English/English Console Assy - Planet Fitness Refresh Options
CN-002	CAX, CXX	A084-92367-0000	Programmed Console Board
"	PFX	See Page 5	Programmed Console Board - Planet Fitness Options
CN-003	CAX, CXX, PFX	0017-00101-1650	PCB Mounting Screws
CN-004	CAX, CXX, PFX	AK69-00157-0000	Heart Rate Cable
CN-005	CXX	AK86-00049-0000	English Bezel and Overlay Assy (see Note 1)
"	CXX8xxxxx	AK86-00049-0600	English/English Bezel and Overlay Assy - Retro (see Note 1)
"	CXX6xxxxx	AK86-00049-0800	English/English Bezel and Overlay Assy - Planet (see Note 1)
"	CXX	AK86-00050-0000	German/Metric Bezel and Overlay Assy (see Note 1)

“	CXX	AK86-00051-000	French/Metric <i>Bezel and Overlay Assy</i> (see Note 1)
“	CXX	AK86-00052-0000	Spanish/Metric <i>Bezel and Overlay Assy</i> (See Note 1)
“	CAX	AK86-00084-0001	English/English <i>Bezel and Overlay Assy</i> - Club Ser (see Note 1)
“	CAX	AK86-00084-0001	English/Metric <i>Bezel and Overlay Assy</i> - Club Ser (see Note 1)
“	CAX	AK86-00084-0003	German/Metric <i>Bezel and Overlay Assy</i> - Club Ser (see Note 1)
CN-006	CAX, CXX, PFX	0K86-01004-0200	Panel Access iPod
CN-007	CAX, CXX, PFX	0K86-01003-0200	iPod Holder
CN-008	CAX, CXX, PFX	AK86-00003-0000	iPod Cable to PCB
CN-009	CAX, CXX, PFX	0017-00101-1811	6-32 x 10 PHL PAN Mounting Screw (2)
CN-010	CAX, CXX, PFX	3223501	iPod Holder Screws (4)
CN-011	CAX, CXX, PFX	AK86-00025-0201	Headphone Jack
CN-012	CAX, CXX, PFX	0017-00101-1811	6-32 x 10 PHL PAN Mounting Screw (1)
CN-013	CAX, CXX, PFX	0K39-01044-0001	Double-sided Tape
CN-014	CAX, CXX, PFX	AK86-00087-0200	iPod Cable
CN-015	CAX, CXX, PFX	118E-00001-0244	PCB: Polar Coded Receiver
CN-016	CXX, PFX	B084-92368-0000	Lower Display
CN-017	CAX, CXX, PFX	0017-00101-1650	PCB Mounting Screws (5)
CN-018	CAX, CXX, PFX	0017-00101-1242	Console Case Screws (6)
CN-019	CAX, CXX, PFX	0K62-01026-0202	Battery Door
CN-020	CAX, CXX, PFX	AK86-00024-0201	Console Case Assembly
not shown	CAX, CXX, PFX	0K62-01175-0001	Decal

Note 1) Bezel and Overlay Assembly consists of: Bezel, Overlay, Switch and iPod Holder Assembly.

PFX (Planet Fitness Refresh) Consoles

See below pictures to identify console revision and reference proper items in the below table.

-02PF Console



-03PF Console

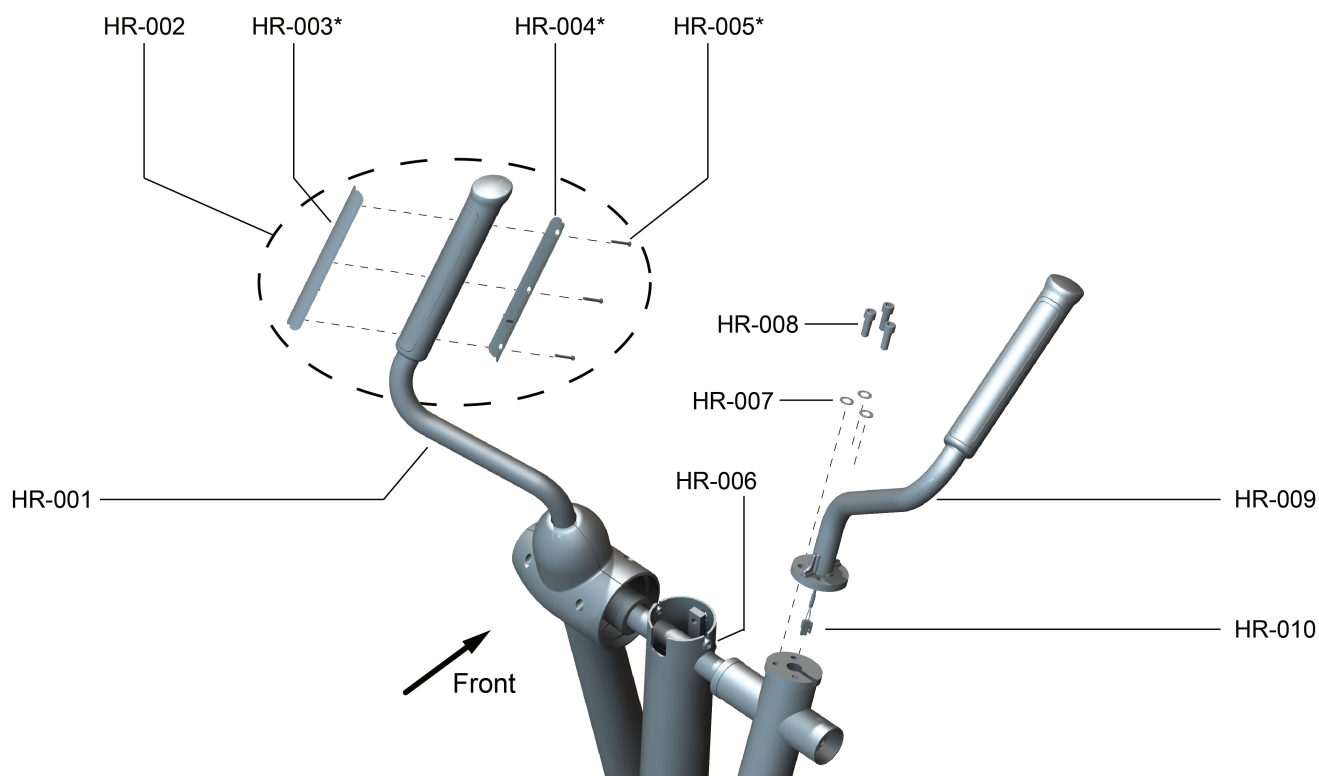


Parts List

Item	Alpha Code	Part Number	Description
CN-001	PFX (-02PF)	CLEDX-ENGEX-02PFN	English/English Console Assy - Planet Fitness - 02PF Console
"	PFX (-03PF)	CLEDX-ENGEX-03PFN	English/English Console Assy - Planet Fitness - 03PF Console
CN-002	PFX (-02PF)	A084-92367-0002	Programmed Console Board - 02PF Console
"	PFX (-03PF)	A084-92367-0000	Programmed Console Board - 03PF Console

Heart Rate System

Exploded View



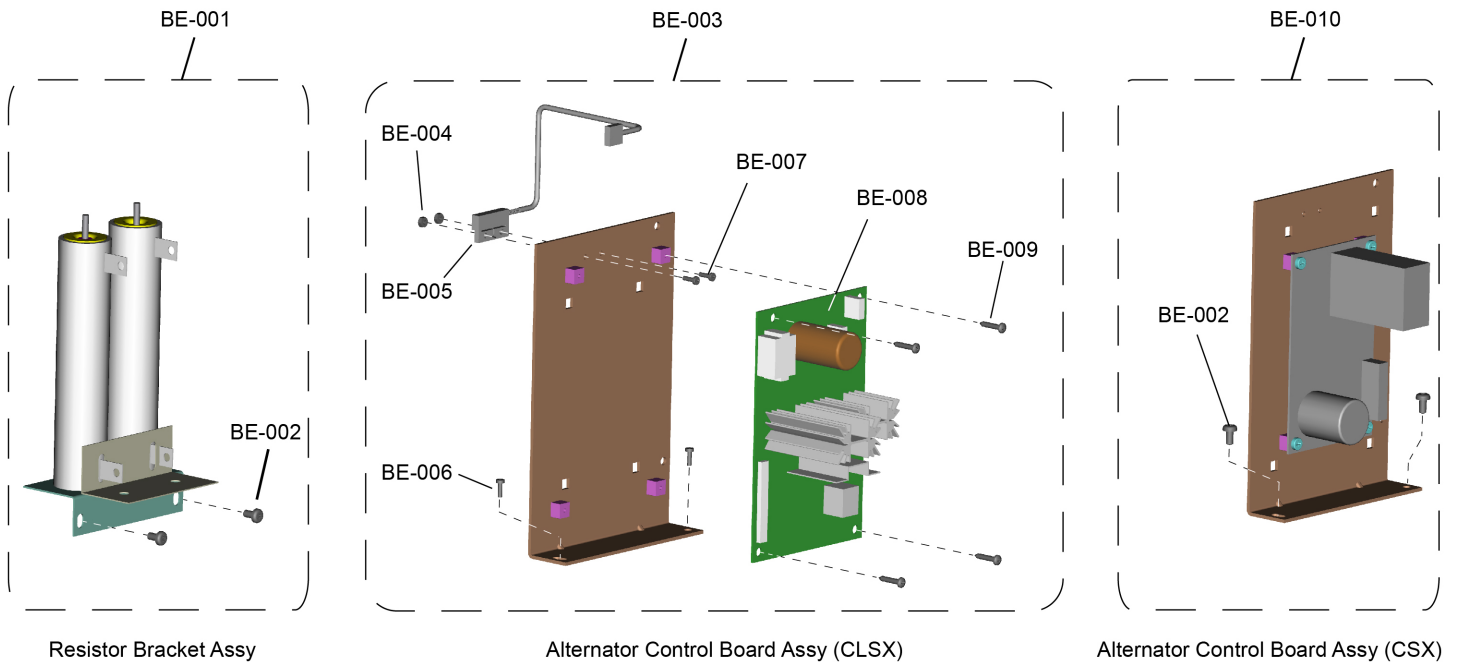
Parts List

Item	Alpha Code	Part Number	Description
HR-001	CXX, CAX, PFX	AK61-00258-0002	Upper Arm Assembly (left)
"	CXX8xxxxx	AK61-00258-0004	Upper Arm Assembly - Retro Fitness (left)
"	CXX6xxxxx, PFX	AK61-00258-0006	Upper Arm Assembly - Planet Fitness (left)
HR-002	CXX, CAX, PFX	GK69-00002-0002	Electrode Kit - includes items in asterisk (*)
HR-003*	CXX, CAX	"	Electrode - Top (see Note)
HR-004*	CXX, CAX	"	Electrode - Bottom (see Note)
HR-005*	CXX, CAX	"	Screw, 6-18 x 16 PHL PAN (3) (see Note)
HR-006	CXX, CAX, PFX	0017-00042-1078	Strain Relief Bushing (2)
HR-007	CXX, CAX, PFX	0017-00104-0450	Flat Washer (3)
HR-008	CXX, CAX, PFX	0017-00101-1645	Bolt (3)
HR-009	CXX, CAX, PFX	AK61-00258-0003	Upper Arm Assembly (right)
"	CXX8xxxxx	AK61-00258-0005	Upper Arm Assembly - Retro Fitness (right)
"	CXX6xxxxx, PFX	AK61-00258-0007	Upper Arm Assembly - Planet Fitness (right)
HR-010	CXX, CAX	AK61-00051-0000	Life Pulse Cable

Note: Not available separately - part of Electrode Kit PN GK69-00002-0002

Base Electronics (BE)

Parts



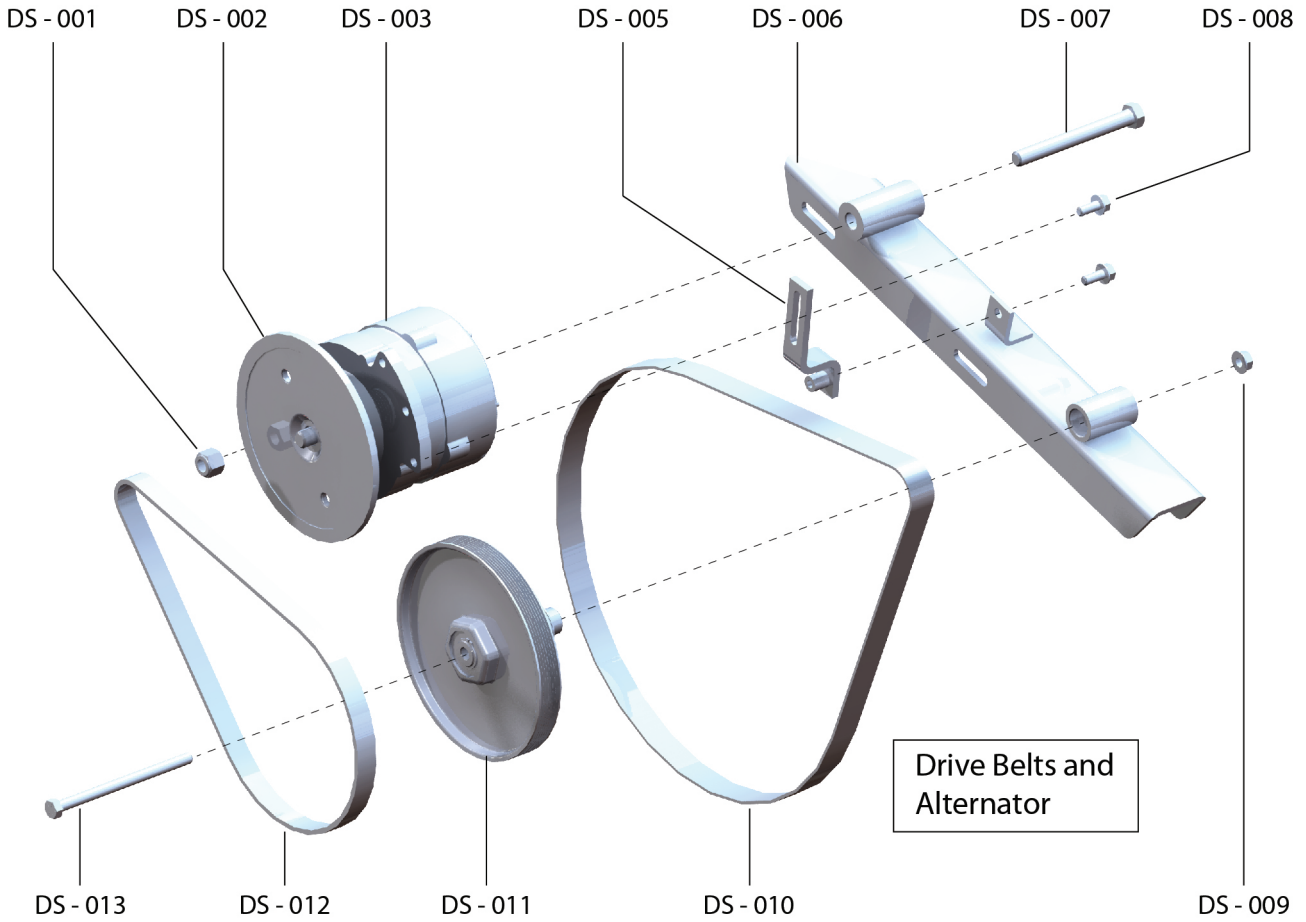
Part Numbers

Item	Alpha Code	Part Number	Description
BE-001	CXX, PFX	AK61-00127-0000	Resistor Bracket Assembly (CLSX)
BE-001	CAX	AK61-00127-0001	Resistor Bracket Assembly (CSX)
BE-002	CXX, CAX, PFX	0017-00101-1282	Screw (2)
BE-003	CXX, PFX	AK61-00145-0001	Alternator Control Board Assembly (CLSX)
BE-004	CXX, PFX	0017-00103-0093	Nut (2)
BE-005	CXX, PFX	118E-00001-0140	Reed Switch
BE-006	CXX, PFX	0017-00101-1035	Screw (2)
BE-007	CXX, PFX	0017-00101-1035	Screw (2)
BE-008	CXX, PFX	B084-92218-0000	Alternator Control PCB (CSX)
BE-009	CXX, PFX	0017-00101-0823	Screw (4)
BE-010	CAX, PFX	AK61-00146-0000	Alternator Control Board Assembly (CSX)

Drive System (DS)

Drive Belts and Alternator

Parts



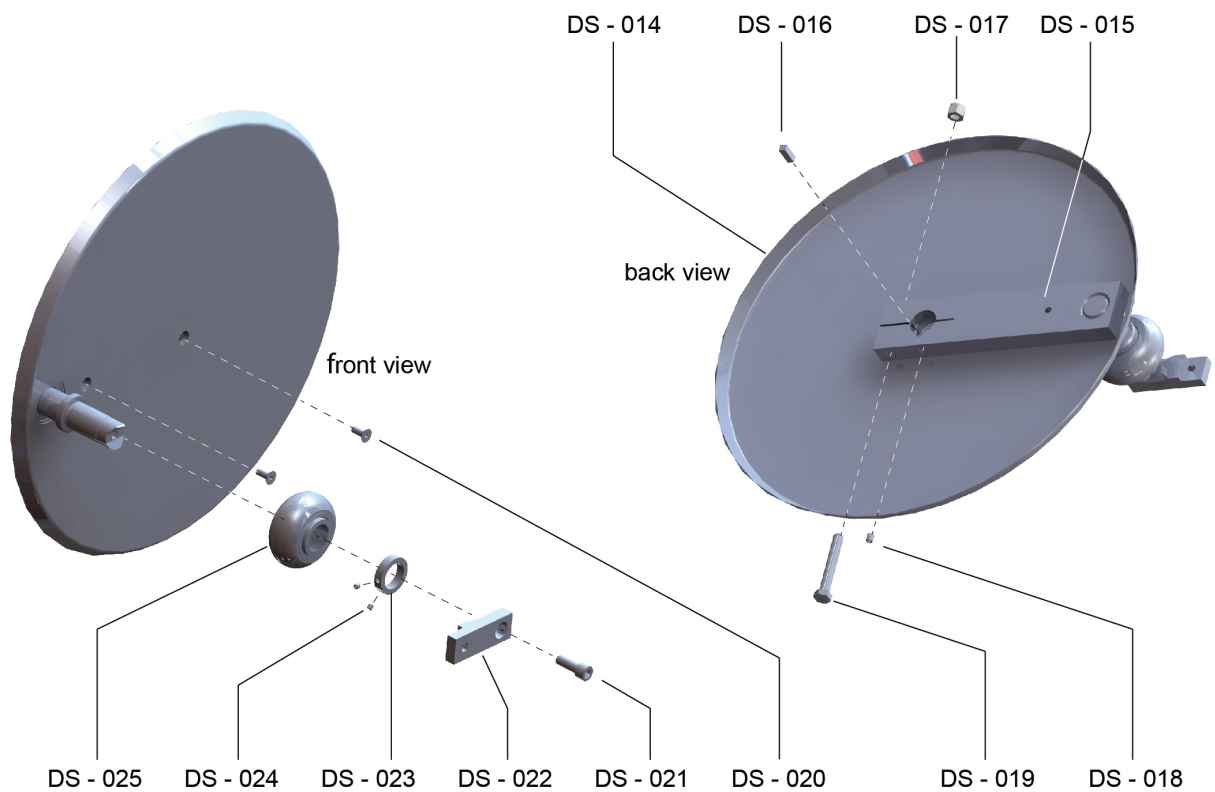
Part Numbers

Item	Alpha Code	Part Number	Description
DS-001	CXX, CAX, PFX	0017-00103-0117	Lock Nut
DS-002	CXX, CAX, PFX	0K61-02500-0001	Alternator Flywheel
DS-003	CXX, CAX, PFX	0017-00009-0841	Alternator
DS-004	CXX, CAX, PFX	AK61-00250-0001	Alternator w/Flywheel Assembly (see Note 1)
DS-005	CXX, CAX, PFX	0K61-02601-0000	Alternator Strap with Insert
DS-006	CXX, CAX, PFX	0K61-02400-0001	Intermediate Bracket
DS-007	CXX, CAX, PFX	0017-00101-0964	Alternator Pivot Bolt
DS-008	CXX, CAX, PFX	0017-00101-0986	Alternator Strap Bolt (2)
DS-009	CXX, CAX, PFX	0017-00103-0188	Flange Lock Nut
DS-010	CXX, CAX, PFX	GK61-00002-0056	Drive Belt
DS-011	CXX, CAX, PFX	GK61-00002-0056	Intermediate Pulley Assembly
DS-012	CXX, CAX, PFX	0K53-01447-0000	Alternator Belt
DS-013	CXX, CAX, PFX	0017-00101-1651	Intermediate Pulley Bolt

Note 1: Includes DS-002 and DS-003.

Roller Assembly

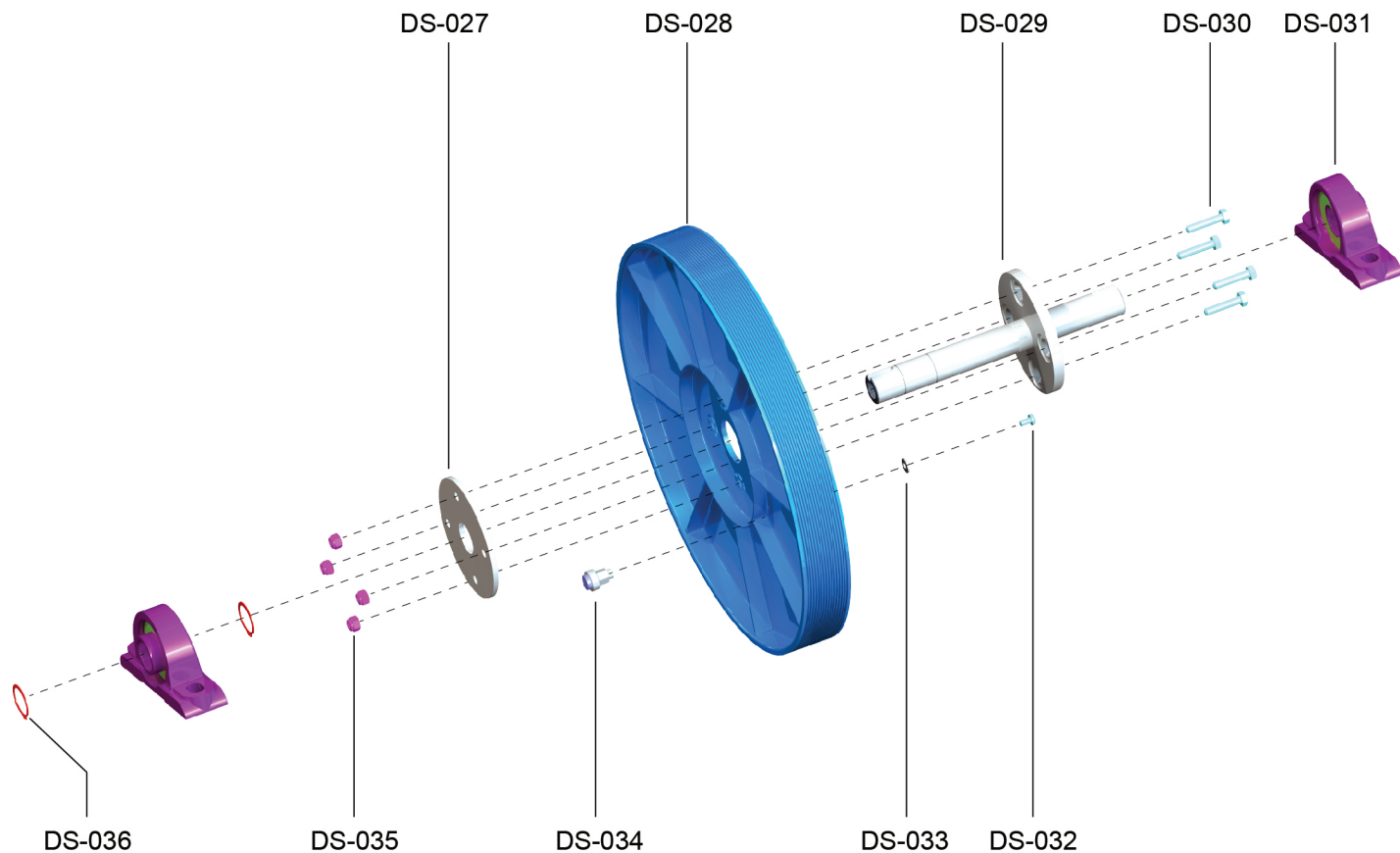
Parts



Part Numbers

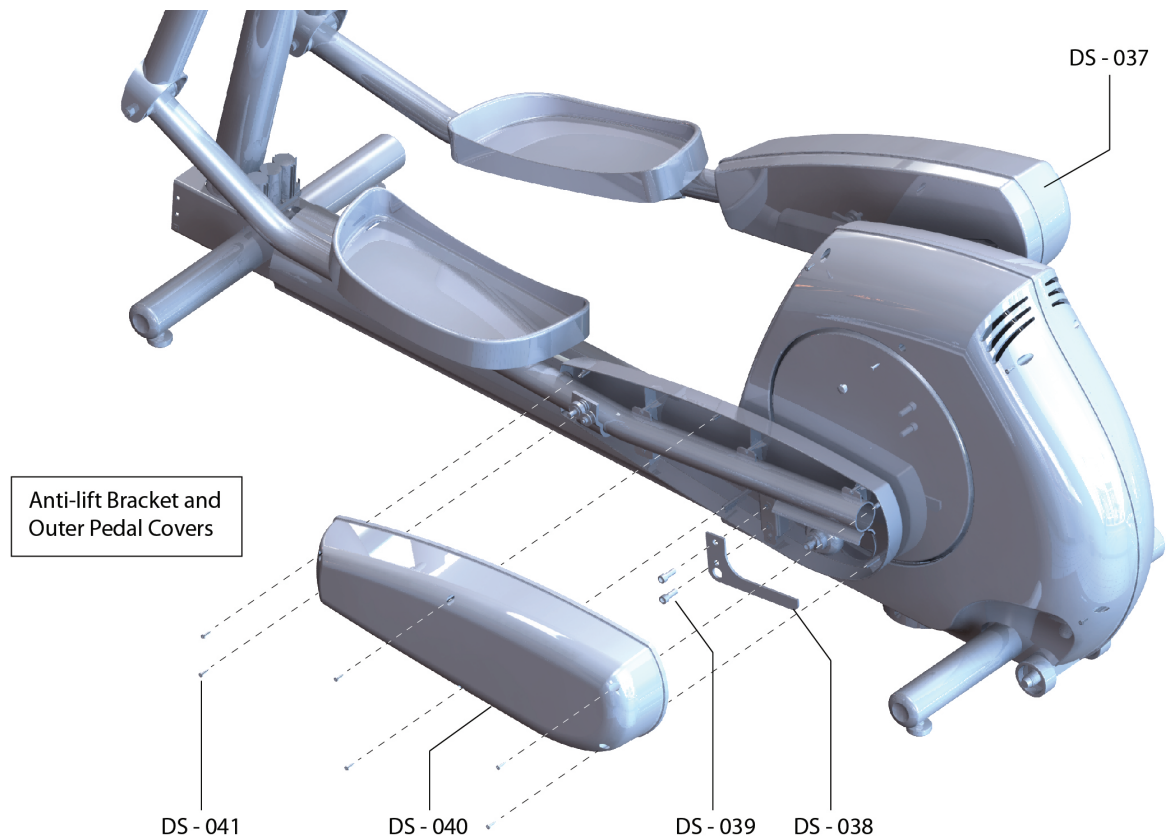
Item	Alpha Code	Part Number	Description
DS-014	CXX, CAX	0K61-03100-5104	Crank Cover
"	CXX8xxxxx	AK86-00085-0000	Crank Cover - Retro Fitness
"	CXX6xxxxx	AK86-00086-0000	Crank Cover - Planet Fitness
"	PFX	AK61-00262-0000	Crank Cover - Planet Fitness
DS-015	CXX, CAX, PFX	AK61-00064-0001	Crank Arm
DS-016	CXX, CAX, PFX	0K53-01122-0000	Square Key
DS-017	CXX, CAX, PFX	0017-00103-0025	Locking Nut
DS-018	CXX, CAX, PFX	0017-00101-0333	Set Screw 1/4-20x5
DS-019	CXX, CAX, PFX	0017-00101-1606	Bolt
DS-020	CXX, CAX, PFX	0017-00101-1728	Screw (2)
DS-021	CXX, CAX, PFX	0017-00101-1645	Allen-Head Cap Screw
DS-022	CXX, CAX, PFX	0K61-03004-0000	Arm Extension
DS-023	CXX, CAX, PFX	0K61-01260-0000	Shaft Collar
DS-024	CXX, CAX, PFX	0017-00101-0314	Set Screws (2)
DS-025	CXX, CAX, PFX	GK61-00002-0026	Roller

Crankshaft Assembly



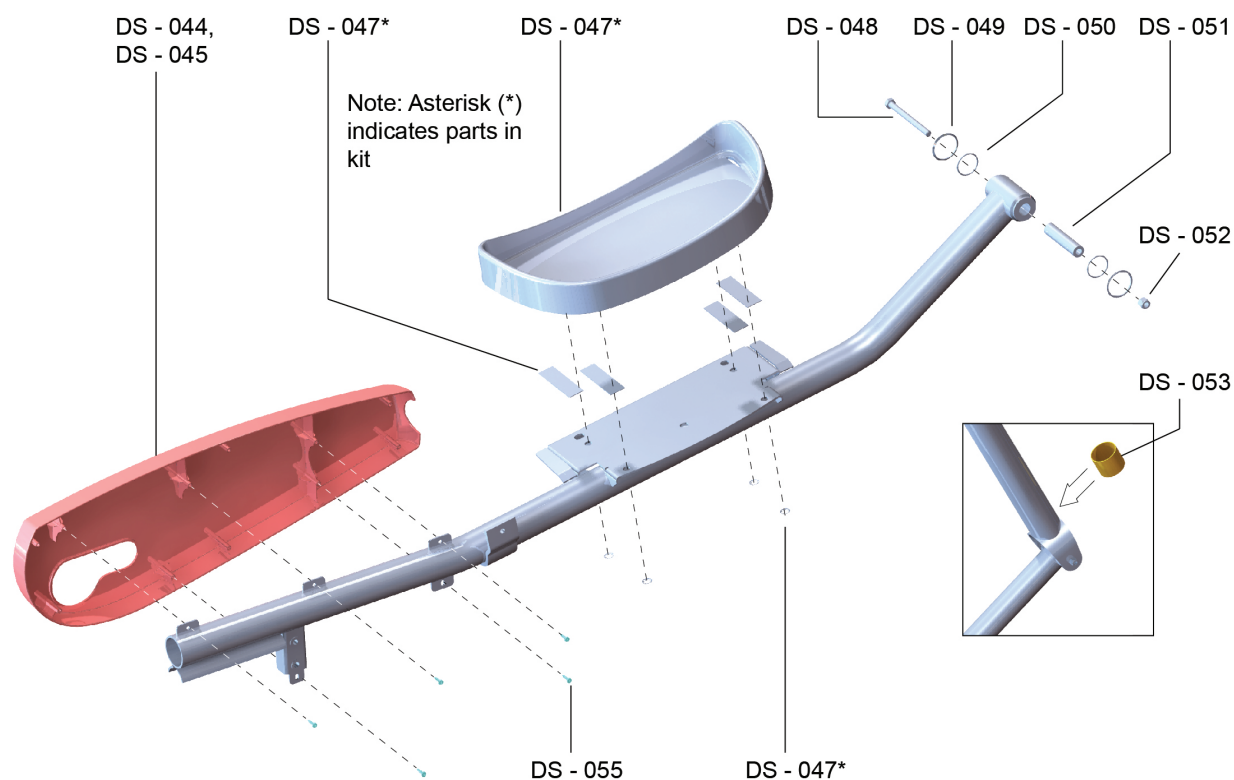
Item	Alpha Code	Part Number	Description
DS-026	CXX, CAX, PFX	AK61-00157-0002	Crankshaft Assembly - consists of parts DS-027 to DS-036
DS-027	CXX, CAX, PFX	0K61-02302-0001	Crankshaft Plate
DS-028	CXX, CAX, PFX	0K61-02409-0000	Poly-V Crank Pulley
DS-029	CXX, CAX, PFX	0K61-01360-0002	Crankshaft w/Plate
DS-030	CXX, CAX, PFX	0017-00101-1551	Hex Bolts (4)
DS-031	CXX, CAX, PFX	0K53-01181-0000	1.00" Dia. Pillow Block
DS-032	CXX, CAX, PFX	0017-00101-1282	Torx Screw
DS-033	CXX, CAX, PFX	0017-00104-0168	Flat Washer
DS-034	CXX, CAX, PFX	AK62-00186-0000	Magnet-Standoff Assembly
DS-035	CXX, CAX, PFX	0017-00103-0019	Locking Nut (4)
DS-036	CXX, CAX, PFX	0017-00100-0152	Retaining Ring

Anti-Lift Bracket and Outer Pedal Covers



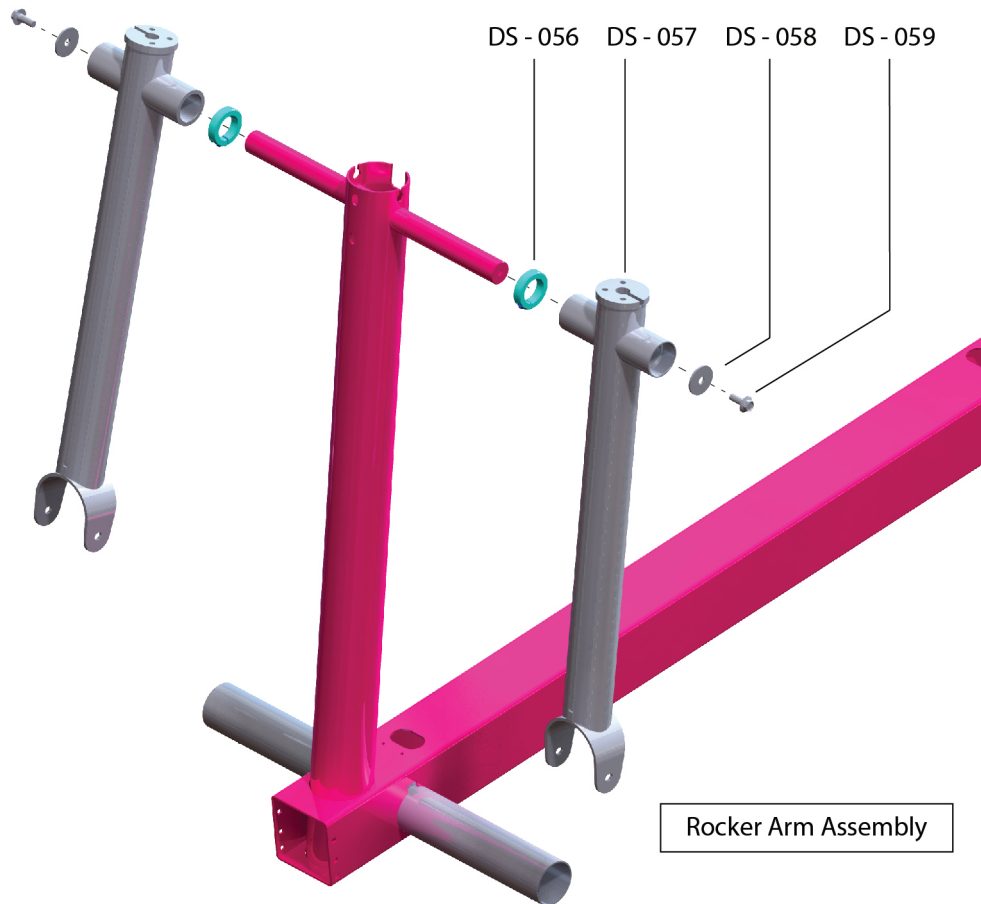
Item	Alpha Code	Part Number	Description
DS-037	CXX, PFX	AK61-00214-0005	Right Link Cover with ink transfer decal (CLSX)
"	CAX	AK61-00214-0007	Right Link Cover with ink transfer decal (CSX)
"	CXX8xxxxx	AK61-00214-0003	Right Link Cover - Retro Fitness
"	CXX6xxxxx, PFX	AK61-00214-0009	Right Link Cover - Planet Fitness
DS-038	CXX, CAX, PFX	0K61-04114-0000	Anti-Lift Bracket
DS-039	CXX, CAX, PFX	0017-00101-1645	Allen Head Bolt
DS-040	CXX, PFX	AK61-00214-0006	Left Link Cover with ink transfer decal (CLSX)
"	CAX	AK61-00214-0008	Left Link Cover with ink transfer decal (CSX)
"	CXX8xxxxx	AK61-00214-0004	Left Link Cover - Retro Fitness
"	CXX6xxxxx, PFX	AK61-00214-0010	Left Link Cover - Planet Fitness
DS-041	CXX, CAX, PFX	0017-00101-0991	Phillips Pan Screw

Pedal Lever Assembly



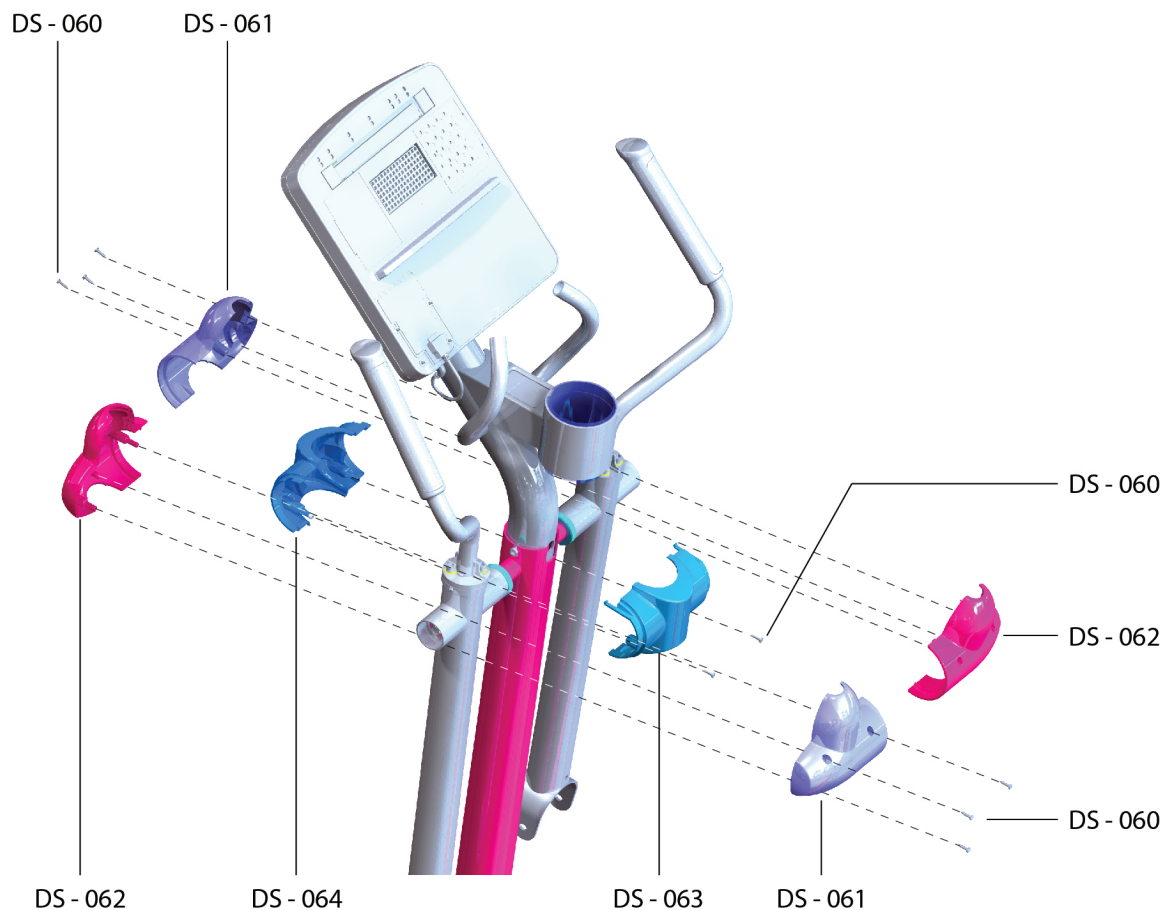
Item	Alpha Code	Part Number	Description
DS-042	CXX, CAX	AK61-00265-5201	Left Pedal Assembly
"	CXX8xxxxx	AK61-00172-0004	Left Pedal Assembly - Retro Fitness
"	CXX6xxxxx, PFX	AK61-00172-0010	Left Pedal Assembly - Planet Fitness
DS-043	CXX, CAX	AK61-00172-0007	Right Pedal Assembly
"	CXX8xxxxx	AK61-00172-0003	Right Pedal Assembly - Retro Fitness
"	CXX6xxxxx, PFX	AK61-00172-0009	Right Pedal Assembly - Planet Fitness
DS-044	CXX, CAX, PFX	0K61-06300-0005	Inside Cover (left)
"	CXX8xxxxx	0K61-06300-0506	Inside Cover - Retro Fitness (left)
DS-045	CXX, CAX, PFX	0K61-06320-0005	Inside Cover (right)
"	CXX8xxxxx	0K61-06320-0506	Inside Cover - Retro Fitness (right)
DS-047	CXX, CAX	GK61-00002-0055	Pedal Kit - includes items in asterisk (*)
DS-047*	CXX, CAX, PFX	"	Pedal
DS-047*	CXX, CAX, PFX	"	Tape (4)
DS-047*	CXX, CAX, PFX	"	Push-On Clip (4)
DS-048	CXX, CAX, PFX	0017-00101-1646	Bolt
DS-049	CXX, CAX, PFX	0K61-01356-0000	Beveled Washer (2)
DS-050	CXX, CAX, PFX	0017-00041-0053	O-Ring (2)
DS-051	CXX, CAX, PFX	0K61-01076-0000	Pedal Lever Clevis Shaft
DS-052	CXX, CAX, PFX	0017-00103-0137	Locking Nut
DS-053	CXX, CAX, PFX	0K61-01410-0200	Rocker Seal
DS-055	CXX, CAX, PFX	0017-00101-1242	Screw

Rocker Arm Assembly



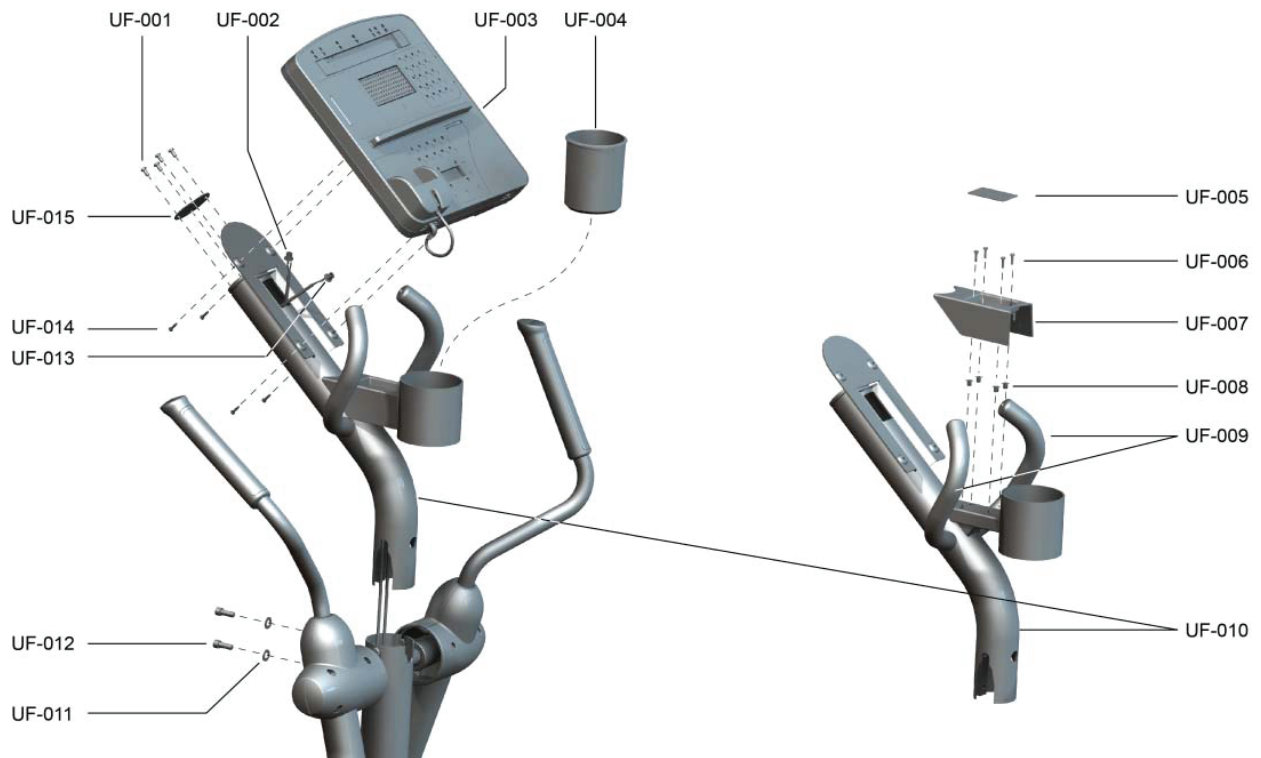
Item	Alpha Code	Part Number	Description
DS-056	CXX, CAX, PFX	0K61-01259-0000	Shaft Split Collar
DS-057	CXX, CAX, PFX	AK61-00094-0007	Rocker Arm (left or right)
"	CSX8xxxxx	AK61-00094-0005	Rocker Arm - Retro Fitness (left or right)
"	CSX6xxxxx, PFX	AK61-00094-0008	Rocker Arm - Planet Fitness (left or right)
DS-058	CXX, CAX, PFX	0017-00104-0454	Flat Washer
DS-059	CXX, CAX, PFX	0017-00101-1635	Hex Bolt

Dead Shaft Covers



Item	Alpha Code	Part Number	Description
DS-060	CXX, CAX, PFX	0017-00101-1242	Phillips Pan Screw (8)
DS-061	CXX, CAX, PFX	0K61-06341-0004	Rear Rocker Arm Cover (2)
"	CXX8xxxxx	0K61-06341-0505	Rear Rocker Arm Cover - Retro Fitness (2)
DS-062	CXX, CAX, PFX	0K61-06340-0004	Front Rocker Arm Cover (2)
"	CXX8xxxxx	0K61-06340-0505	Front Rocker Arm Cover - Retro Fitness (2)
DS-063	CXX, CAX, PFX	0K61-06351-0004	Rear Deadshaft Cover
"	CXX8xxxxx	0K61-06351-0505	Rear Deadshaft Cover - Retro Fitness
DS-064	CXX, CAX, PFX	0K61-06350-0004	Front Deadshaft Cover
"	CXX8xxxxx	0K61-06350-0505	Front Deadshaft Cover - Retro Fitness

Upper Frame System (UF)

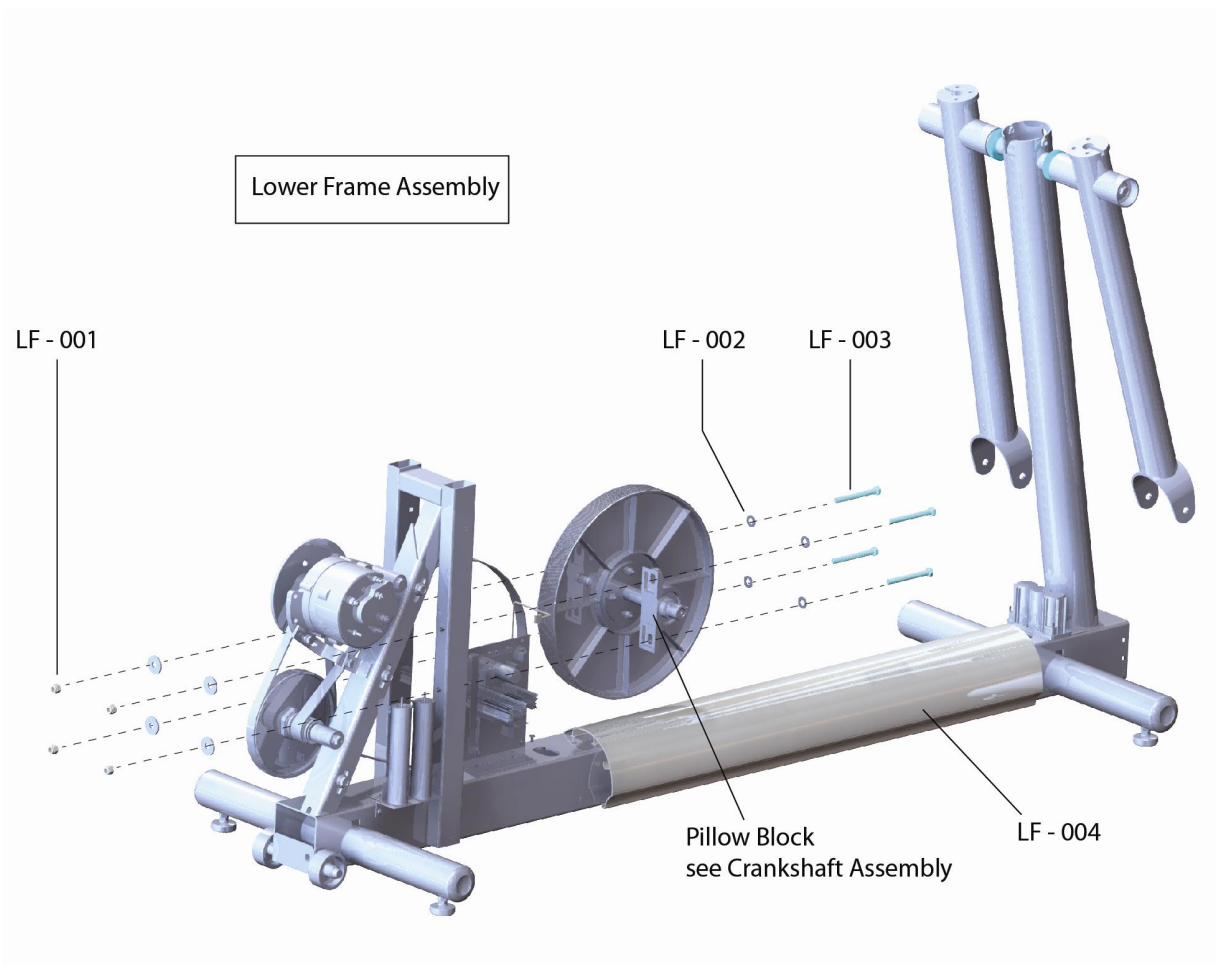


Item	Alpha Code	Part Number	Description
UF-001	CXX, CAX, PFX	0017-00101-1746	Console Support Cap Screws (4)
UF-002	CXX, CAX, PFX	AK61-00051-0001	LifePulse User-Arm Cable Assembly
UF-003	CXX, CAX, PFX	see <i>Console Assembly</i> section	Console Assembly
UF-004	CXX, CAX, CLE	0K61-01013-0201	Cup (Small)
		GK63-00002-0080	Cup (With O-Rings)
UF-005	CXX, CAX, PFX	0K61-05070-0700	Accessory Tray Pad
UF-006	CXX, CAX, PFX	0017-00101-1744	Screw 8-18x10 PHL PAN (4)
UF-007	CXX, CAX, PFX	0K61-06013-0201	Accessory Tray
	CXX8xxxxx	0K61-06013-0501	Accessory Tray - Retro Fitness
UF-008	CXX, CAX, PFX	0017-00042-1147	Grommet (4)
UF-009	CXX, CAX, PFX	0K62-01136-0002	Handgrip 11.75" (2)

Item	Alpha Code	Part Number	Description
UF-010	CXX, CAX, PFX	AK61-00505-0000	Console Support Assembly with Handgrips Note: Ordering replacement Cup Holder 0K61-01013-0201 is also needed.
“	CXX8xxxxx	AK61-00505-0002	Console Support Assembly with Handgrips - Retro Fitness
“	CXX6xxxxx, PFX	AK61-00505-0003	Console Support Assembly with Handgrips - Planet Fitness
UF-011	CXX, CAX, PFX	0017-00104-0192	Flat Washer (2)
UF-012	CXX, CAX, PFX	0017-00101-1645	Bolt (2)
UF-013	CXX, PFX	AK61-00136-0000	Main Cable
“	CAX	AK61-00138-0000	Main Cable
UF-014	CXX, CAX, PFX	0017-00101-1744	Phillips Pan Head Screws #8-18 x 3/4
UF-015	CXX, CAX, PFX	0K61-06012-5101	Console Cap
“	CXX8xxxxx	0K61-06012-0601	Console Cap - Retro Fitness
“	CXX6xxxxx, PFX	0K61-06012-0801	Console Cap - Planet Fitness

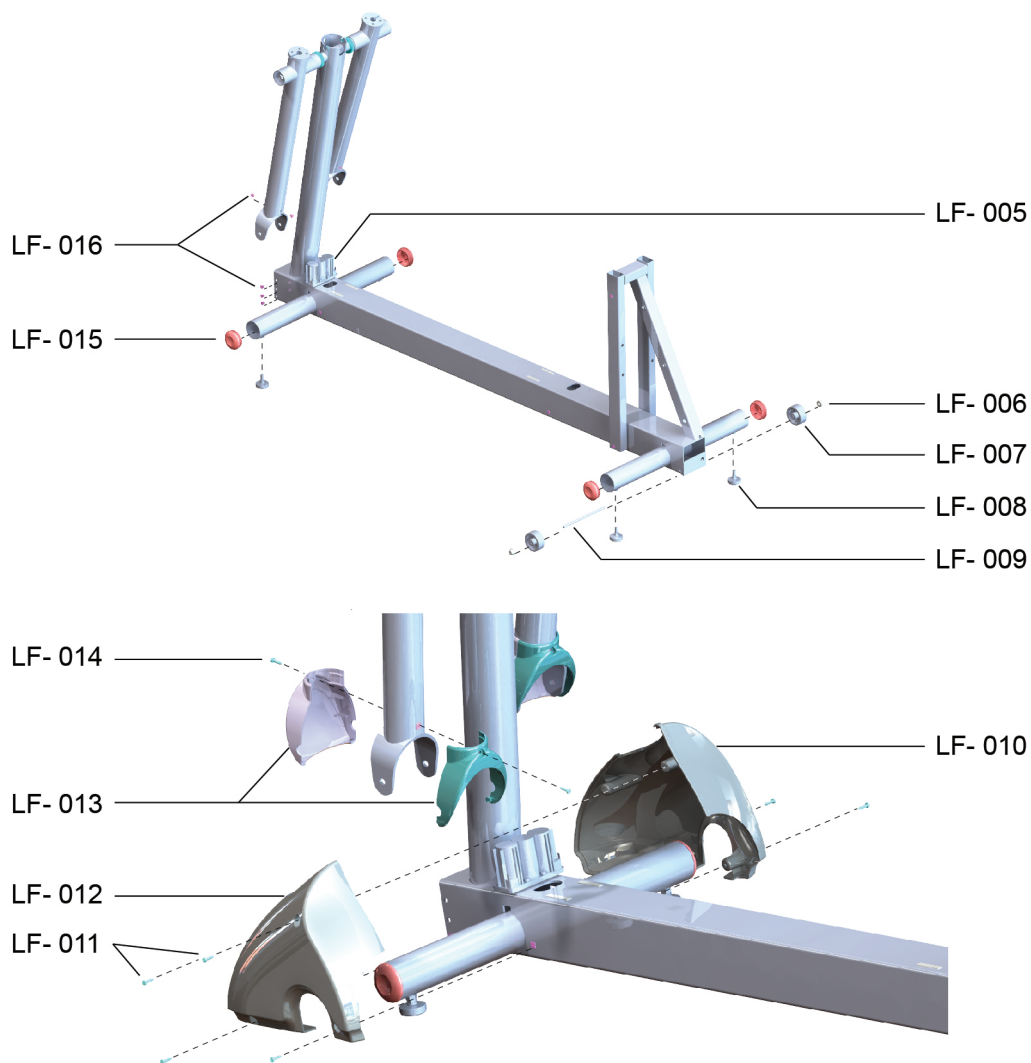
Lower Frame System (LF)

Pillow Block, Extrusion Cover



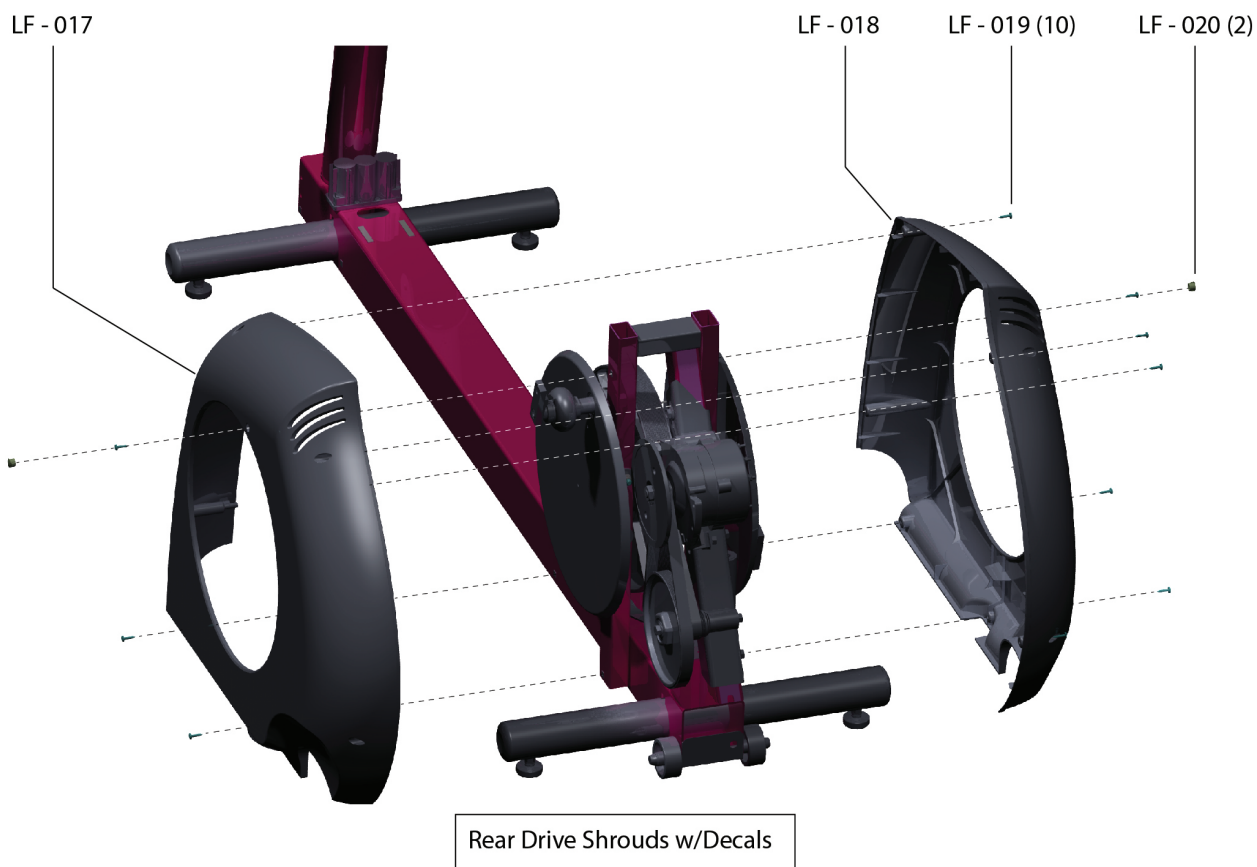
Item	Alpha Code	Part Number	Description
LF-001	CXX, CAX, PFX	0017-00103-0025	Pillow Block Bearing Nuts
LF-002	CXX, CAX, PFX	0017-00104-0192	Pillow Block Bearing Washers
LF-003	CXX, CAX, PFX	0017-00101-1635	Pillow Block Bearing Bolts
LF-004	CXX, CAX, PFX	0K61-06121-0008	Extrusion Cover
"	CXX8xxxxx	0K61-06121-0609	Extrusion Cover - Retro Fitness

Clevis and Front Frame Covers



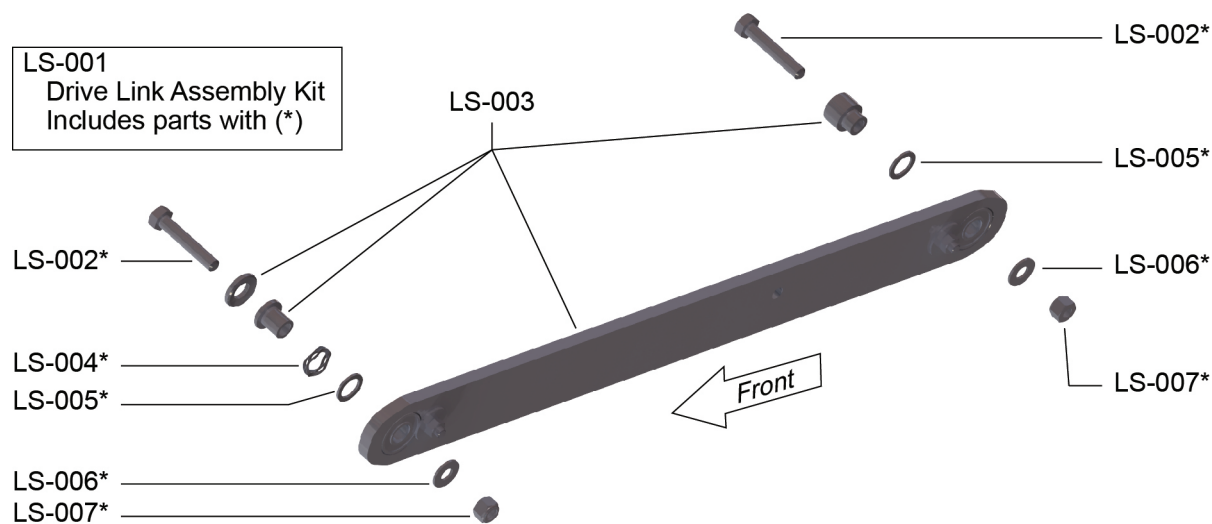
Item	Alpha Code	Part Number	Description
LF-005	CXX, PFX	0017-00003-0685	6V Battery (CSLX only)
LF-006	CXX, CAX, PFX	0017-00042-1066	Wheel Cap (2)
LF-007	CXX, CAX, PFX	0017-00042-0674	Wheel (2)
LF-008	CXX, CAX, PFX	AK61-00035-0000	Leg Leveler (4)
LF-009	CXX, CAX, PFX	0K61-01300-0000	Wheel Shaft
LF-010	CXX, CAX, PFX	0K61-06250-0003	Front Cover (right)
"	CXX8xxxxx	0K61-06250-0504	Front Cover- Retro Fitness (right)
LF-011	CXX, CAX, PFX	0017-00101-1242	Phillips Screw (18)
LF-012	CXX, CAX, PFX	0K61-06240-0003	Front Cover (left)
"	CXX8xxxxx	0K61-06240-0504	Front Cover - Retro Fitness (left)
LF-013	CXX, CAX, PFX	AK61-00062-0003	Clevis Cover (2)
"	CXX8xxxxx	AK61-00062-0002	Clevis Cover - Retro Fitness (2)
LF-014	CXX, CAX, PFX	0017-00101-1242	Clevis Cover Screws (2)
LF-015	CXX, CAX, PFX	0K61-01284-0204	Stabilizer Cap (4)
LF-016	CXX, CAX, PFX	0017-00042-1147	Grommets (14)

Rear Drive Shroud with Decals



Item	Alpha Code	Part Number	Description
LF-017	CXX, CAX, PFX	AK61-00176-0006	Left Rear Cover w/Decal
"	CXX8xxxxx	AK61-00176-0004	Left Rear Cover w/Decal - Retro Fitness
LF-018	CXX, CAX, PFX	AK61-00176-0005	Right Rear Cover w/Decal
"	CXX8xxxxx	AK61-00176-0003	Right Rear Cover w/Decal - Retro Fitness
LF-019	CXX, CAX, PFX	0017-00101-0991	Phillips Pan Screw (10)
LF-020	CXX, CAX, PFX	0K14-01384-0000	Plug (2)

Linkage System (LS)



Item	Alpha Code	Part Number	Description
LS-001	CXX, PFX	GK61-00002-0020	Drive Linkage Assembly Kit - includes parts in asterisk (*)
LS-002*	CXX, PFX	"	Bolt 5/16-18x28
LS-003*	CXX, PFX	"	Control link Assembly, 18"
LS-004*	CXX, PFX	"	Spring, Wave Washer
LS-005*	CXX, PFX	"	Washer 515-.750-062 FL-D ST ZN
LS-006*	CXX, PFX	"	Washer 328-.750-062 FL-D ST ZN
LS-007*	CXX, PFX	"	Hex Nut 5/16-18 Locking

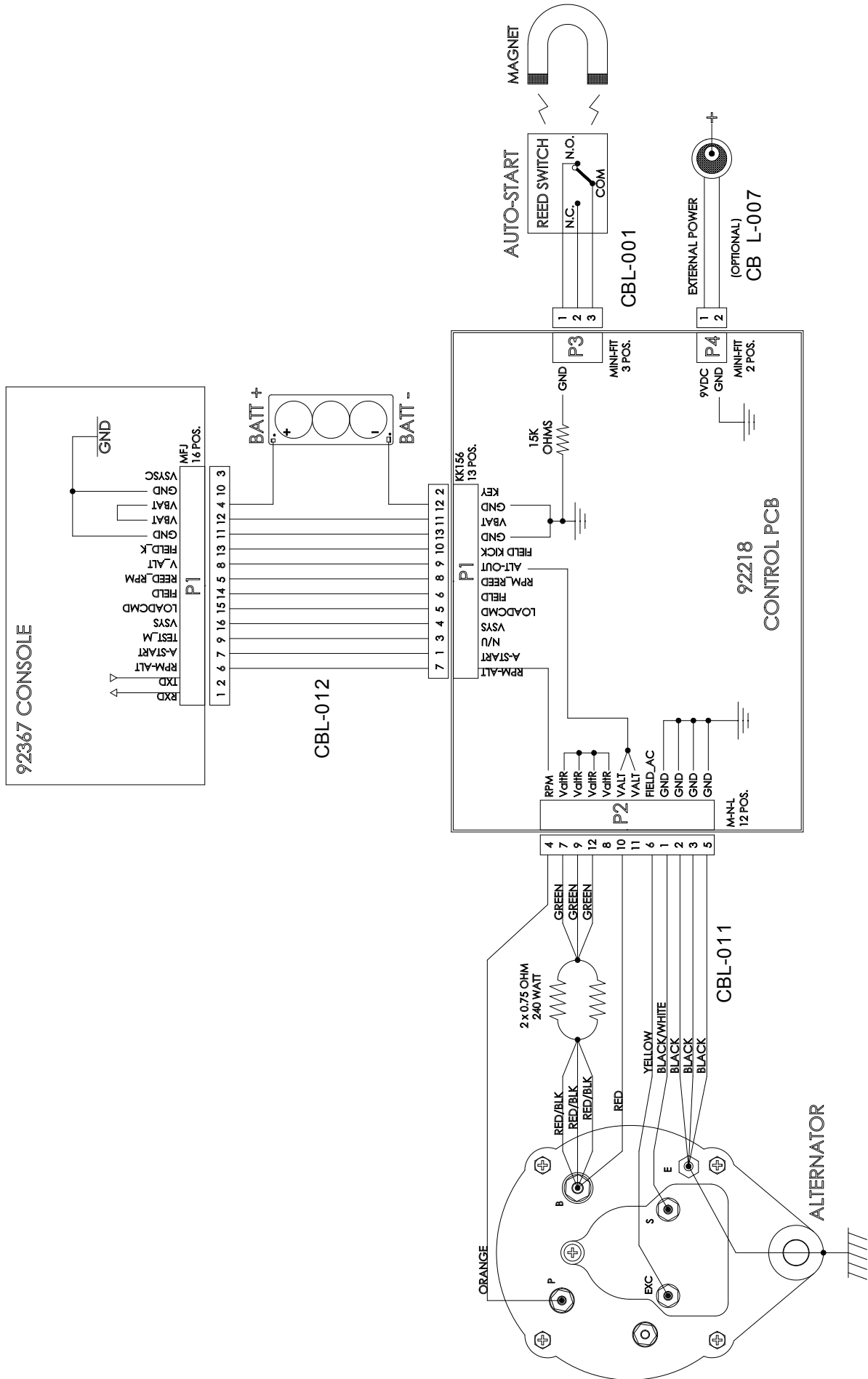
Wiring

Cables and Wiring Diagram

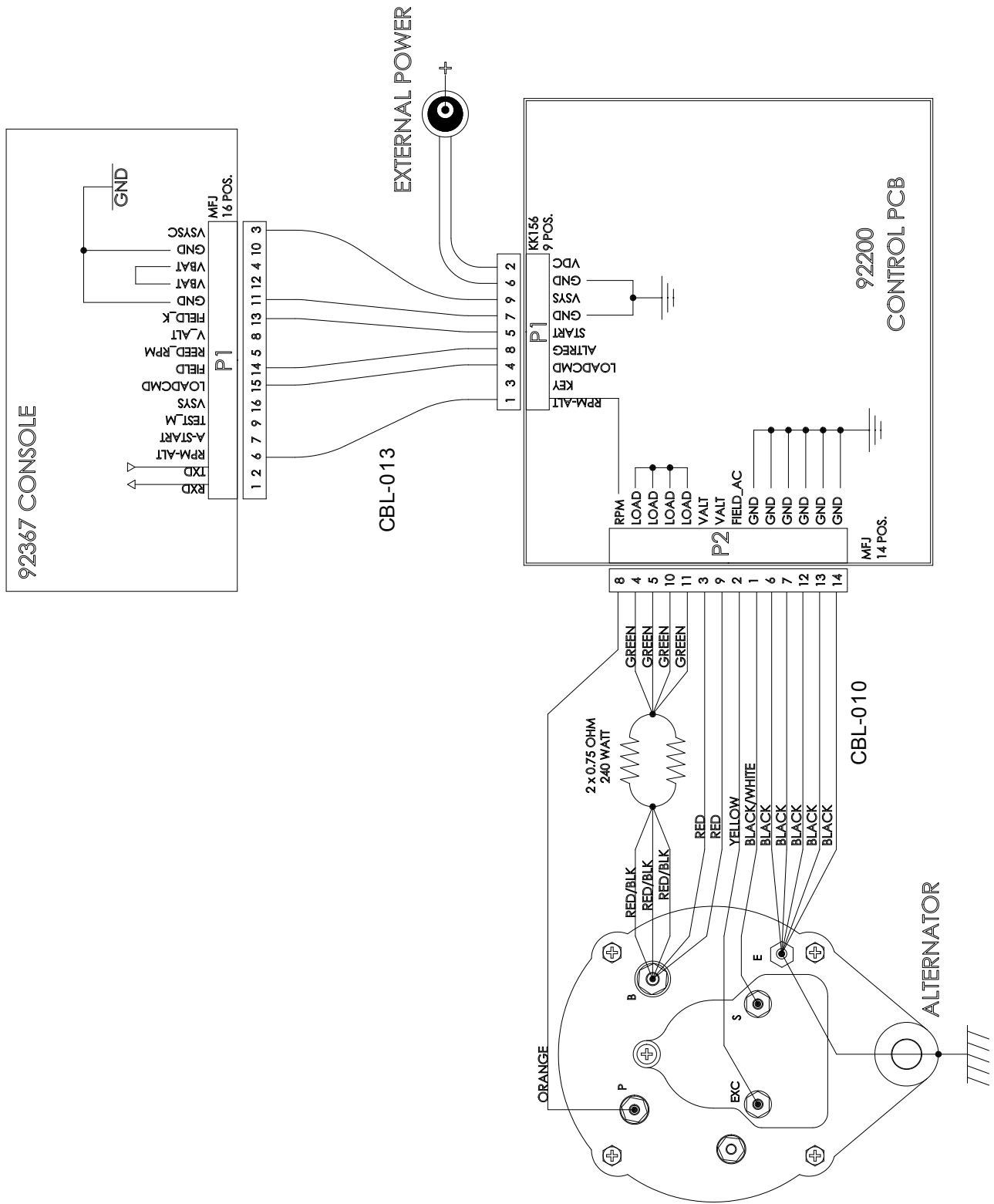
Item	Alpha Code	Part Number	Description
CBL-001	CXX, CAX, PFX	118E-00001-0140	Switch; Reed; SPST
CBL-002	CXX, CAX, PFX	118E-00001-0266	Lower Display Cable; FFC 16 Pin 1.25mm; 7in.
CBL-003	CXX, CAX, PFX	AK32-00020-0002	Coax Cbl Assy - 120 in.
CBL-004	CXX, CAX, PFX	AK32-00078-0001	Power Extension Cbl Assy - 120 in
CBL-005	CXX, CAX, PFX	AK86-00025-0201	Headphone Jack
CBL-007	CXX, CAX, PFX	AK47-00063-0001	DC Power
CBL-008	CXX, CAX, PFX	AK61-00051-0001	Lifepulse - User-Arm
CBL-009	CXX, CAX, PFX	AK61-00052-0002	Lifepulse - Console
CBL-010	CAX	AK61-00131-0000	Power-Control - CSX
CBL-011	CXX, PFX	AK61-00135-0000	Power-Control - CLSX
CBL-012	CXX, PFX	AK61-00136-0000	Console - CLSX
CBL-013	CAX	AK61-00138-0000	Console - CSX
CBL-017	CXX, CAX, PFX	AK69-00157-0000	Polar
CBL-018	CXX, CAX, PFX	AK86-00087-0200	iPod Cbl Assy - non-tread
CBL-019	CXX, CAX, PFX	AK86-00002-0000	TV Control - non-tread
CBL-020	CXX, CAX, PFX	AK86-00003-0000	Console iPod - non- tread

To find the part number for a cable, identify the cable item number in the wiring diagrams on the following pages. Then locate that number in the table above and match it with the corresponding part number.

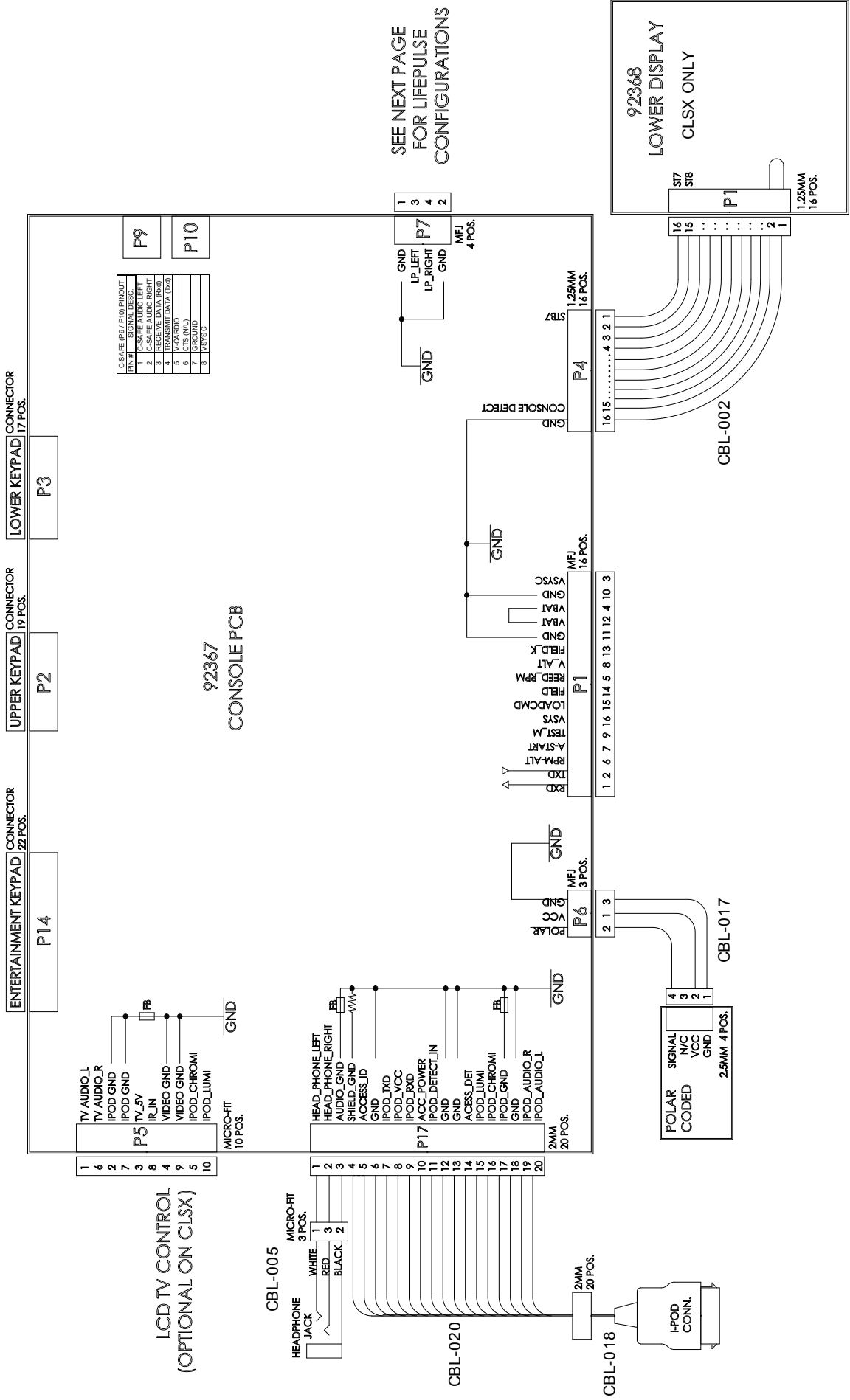
Wiring Diagram Control PCB - CLSX



Wiring Diagram Control PCB - CSX



Wiring Diagram Console PCB - All Models



Wiring Diagram LCD TV and HR Handles - All Models

