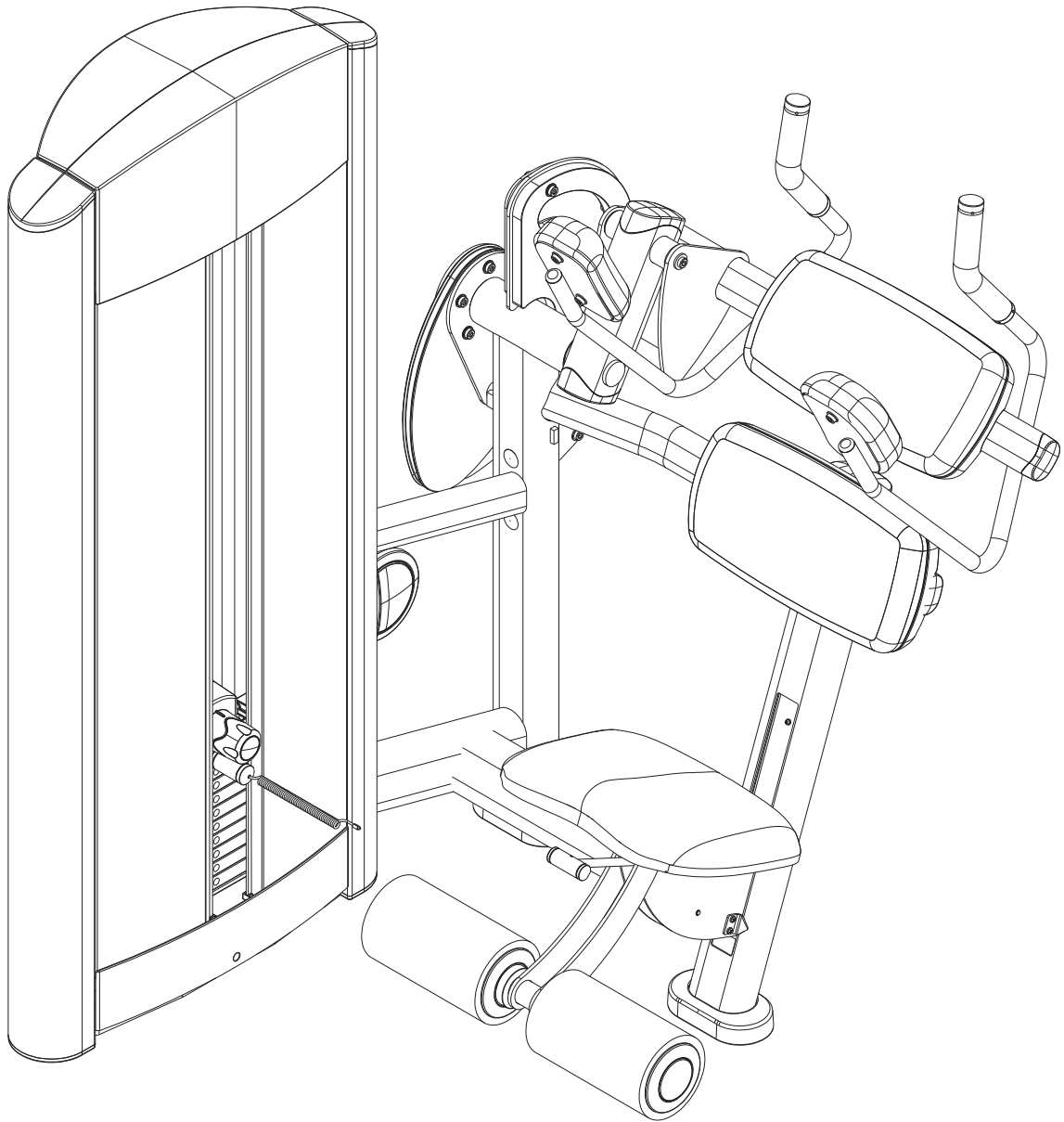




SIGNATURE SERIES  
FZAB  
ABDOMINAL



Customer Support Services  
**PARTS LIST**

# FZAB ABDOMINAL

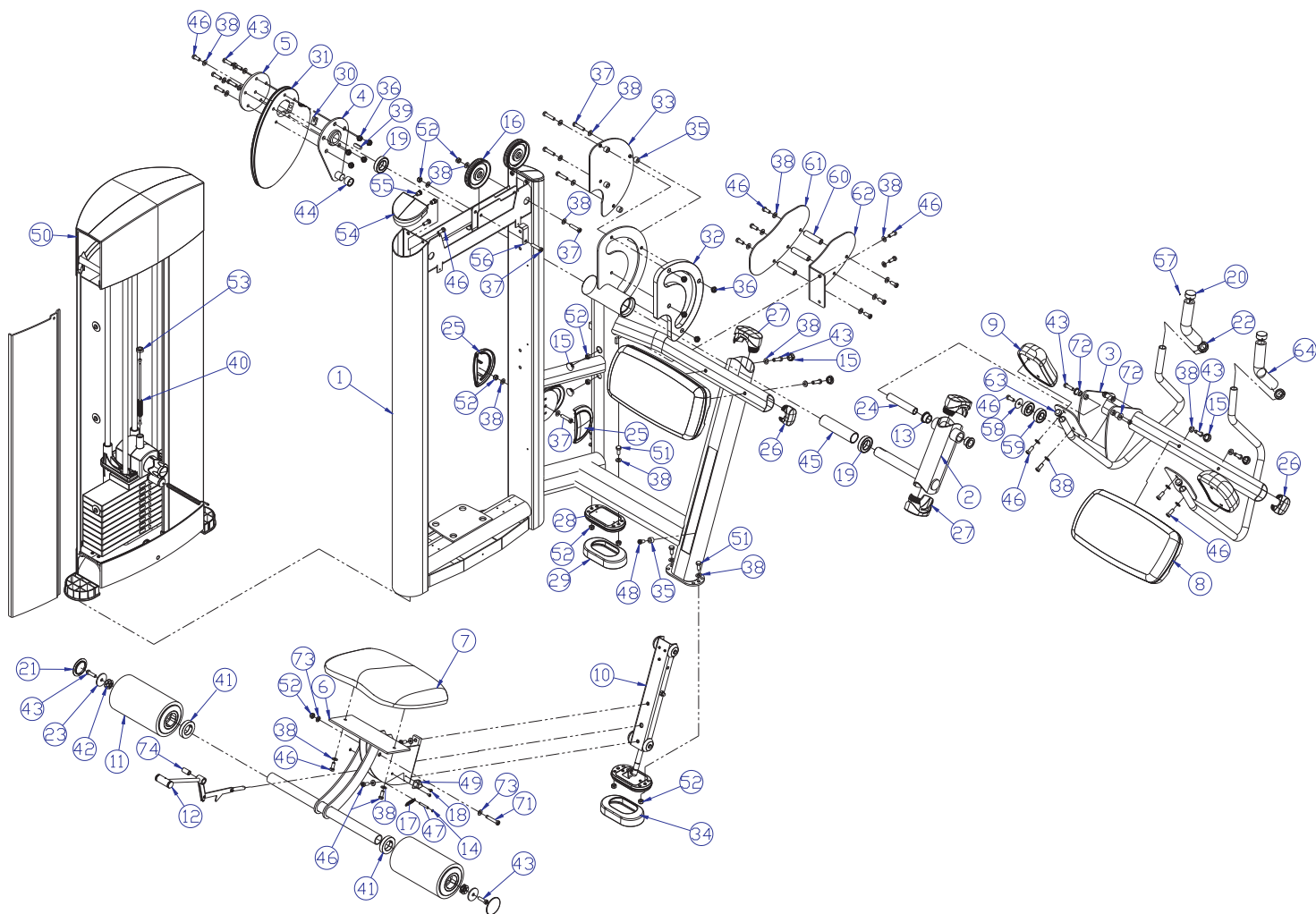
## Contents

---

	PAGE
COMPONENT ASSEMBLY	3
COMPONENT ASSEMBLY II	4
COMPONENT ASSEMBLY LEGEND	5
FZ SEAT CARRIAGE ASSEMBLY	6
FZAB ADJUSTER HANDLE ASSEMBLY	7
MID-9 TOWER ASSEMBLY	8
PLASTIC TOWER ASSEMBLY	9
MID-9 WEIGHT STACK ASSEMBLY	10
5 LB INCREMENT WEIGHT ASSEMBLY	11
10 LB INCREMENT WEIGHT ASSEMBLY	12
15 LB INCREMENT WEIGHT ASSEMBLY	13
HEAD PLATE ASSEMBLY	14
IMAGE	15

# FZAB ABDOMINAL COMPONENT ASSEMBLY

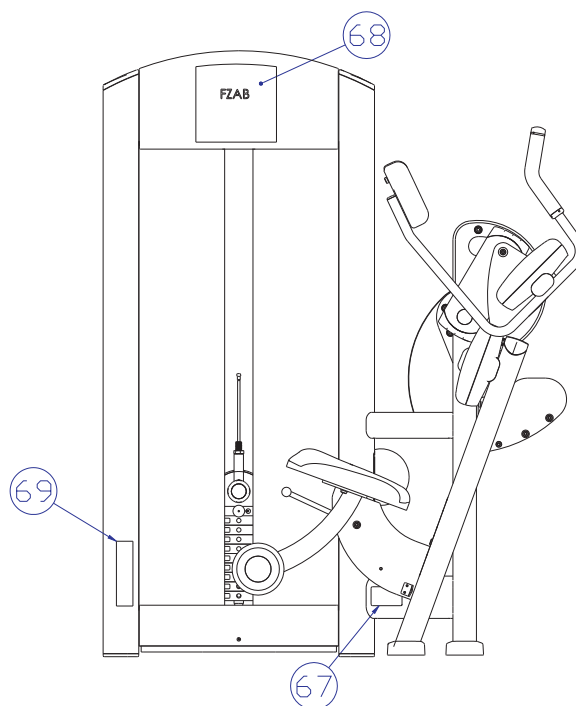
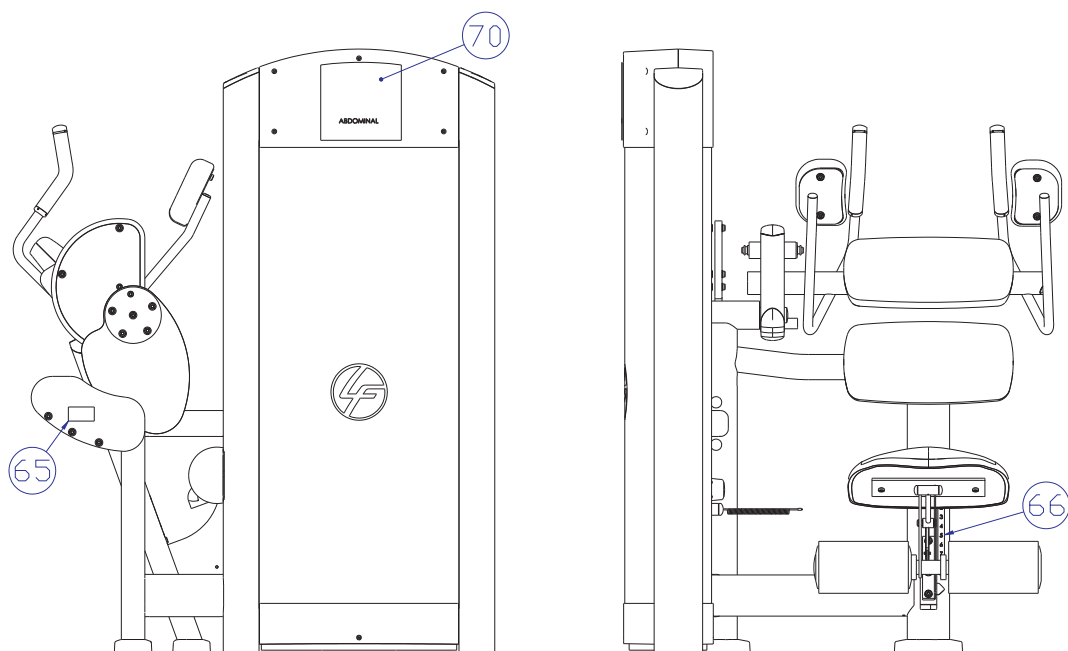
---



SEE PAGE 5 FOR LEGEND

# FZAB ABDOMINAL COMPONENT ASSEMBLY II

---

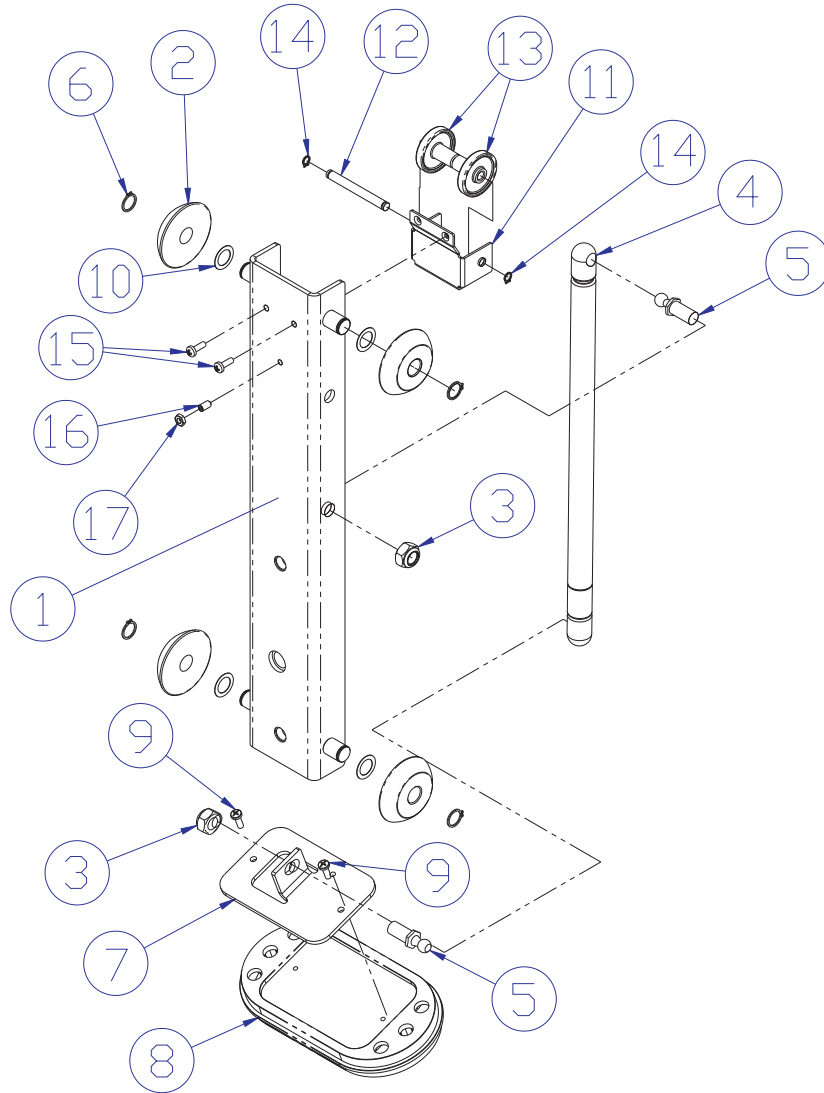


SEE PAGE 5 FOR LEGEND

# FZAB ABDOMINAL COMPONENT ASSEMBLY LEGEND

ITEM NO	QTY	PART NO	DESCRIPTION	ITEM NO	QTY	PART NO	DESCRIPTION
1	1	7491801	WLDMT, FZAB FRAME	38	39	3236601	WASHER, 3/8 SAE SS
2	1	7492601	WLDMT, FZAB PIVOT ARM	39	1	7511601	KEY, .375 SQUARE X 1.25
3	1	7764001	WLDMT, FZAB WORK ARM	40	1	7423710	CABLE, FZAB 123-1/4
4	1	7493601	WLDMT, FZAB CAM SPPRT	41	2	7357901	SHAFT COLLAR, 1-1/2" ID ALUM
5	1	7329101	PLATE, FZ, CAM COVER	42	2	7347301	NUT, SPIDER M10 X 1.5
6	1	7493801	WLDMT, FZAB SEAT SUPPORT	43	13	3236204	SCREW, M10 X 1.5 35MM
7	1	7297201	PAD, LARGE CHAIR	44	1	7690101	BUMPER, SLEEVE - 1 INCH DIA
8	2	7468901	PAD 18 X 9 CONVEX	45	1	7511505	SPACER, FZ/PS INTERNAL 6.345
9	2	7393301	PAD, ARM REST	46	22	3236202	SCREW, M10 X 1.5 25MM
10	1	7657501	ASSY, FZAB SEAT CARRIAGE	47	1	7407502	PIN, LINK
11	2	7424701	ASSY, ROLLER PAD - SHORT	48	1	3236201	SCREW, M10 X 1.5 20MM
12	1	7778101	ASSY, FZAB ADJUSTER HANDLE	49	1	7425295	BRKT, SEAT INDICATOR
13	2	3104903	1.00" ID 1.25" OD BRONZ BUSHING	50	1	7420301	ASSY, MID TOWER-9
14	2	3232401	RING, RETAINING, EXTERNAL	51	4	3251202	SCREW, M10 X 1.5 X 25MM UNS HEX CS ST ZN
15	6	3237403	PLUG, 1" HOLE	52	10	3236801	NUT, M10 HEX NYLOCK SS
16	3	3237801	PULLEY, 4.5" OD	53	1	3236902	NUT, M16 X 2 HEX JAM SS
17	1	3239201	SPRING, EXT, .375 X .049 X 2.00	54	2	7326201	CAP, D-TUBE - TOP
18	2	3239101	SCREW, M5X10 PHL PAN TT ST	55	4	3238601	M10X1.5 BLIND THREADED INSERT (HEX)
19	2	3243201	BEARING, 6007 BALL	56	1	6757701	CLIP, CABLE 2-7/8 X 1 X 1
20	2	7662902	CAP, GRIP 1.50 OD	57	8	3247701	M4 X .7 HXS NO CUP ST BO
21	2	7308701	CAP, BEARING HOUSING	58	1	3236701	WASHER, FENDER 3/8" ID X 1.5" OD SS
22	2	7662802	RING, GRIP 1.50 OD	59	2	3235601	BEARING, 6205 BALL
23	2	7322301	PLATE, 1.97 OD X .44 ID 10GA	60	3	7582501	SPACER, TAPPED 0.75 DIA X 3.25
24	1	7764301	SHAFT, TAPPED 1 DIA X 5.330	61	1	7582701	PLATE, FZAB CAM GUARD
25	2	7333601	COVER, PULLEY- PARTIAL	62	1	7582601	BRKT, FZAB CAM GUARD
26	2	7333801	CAP, SMALL FLOV- END	63	2	3119304	CAP, END 1 DIA RD 10-12GA
27	3	7333901	CAP, LARGE FLOV- END	64	2	3235802	GRIP, SHADOW GRAY, 8.00"
28	1	7334001	FOOT, 2.50 X 4.49 FLOV	65	1	7422003	LABEL, MOVING PARTS
29	1	7340201	COVER, FOOT - STRAIGHT	66	1	7524501	LABEL, 1-9 STRAIGHT
30	1	7342201	PLATE, CABLE END	67	1	7571301	LABEL, SERIAL NUMBER
31	1	7489301	CAM, FZAB	68	1	7508501	LABEL, FZAB PLACARD
32	1	9132501	CAM:FOLLOWER FZAB	69	1	7422004	LABEL, 2" ASTM WARN
33	1	7560601	SHROUD, FZAB CAM	70	1	7508601	LABEL, FZAB LOGO
34	1	7419601	COVER, FOOT-20 DEG.	71	1	3236208	SCREW, M10 X 1.5 55MM
35	5	7385203	SPACER, .406 X .750 X .500	72	2	7764401	SPACER, FLANGE
36	9	7335401	NUT, M10 X 1.5 SOCKET HEAD	73	2	7776401	SPACER, FLANGE .406 X .495 X .81
37	7	3236206	SCREW, M10 X 1.5 45MM	74	1	7776501	SHAFT, .625 X .406 X 1.200

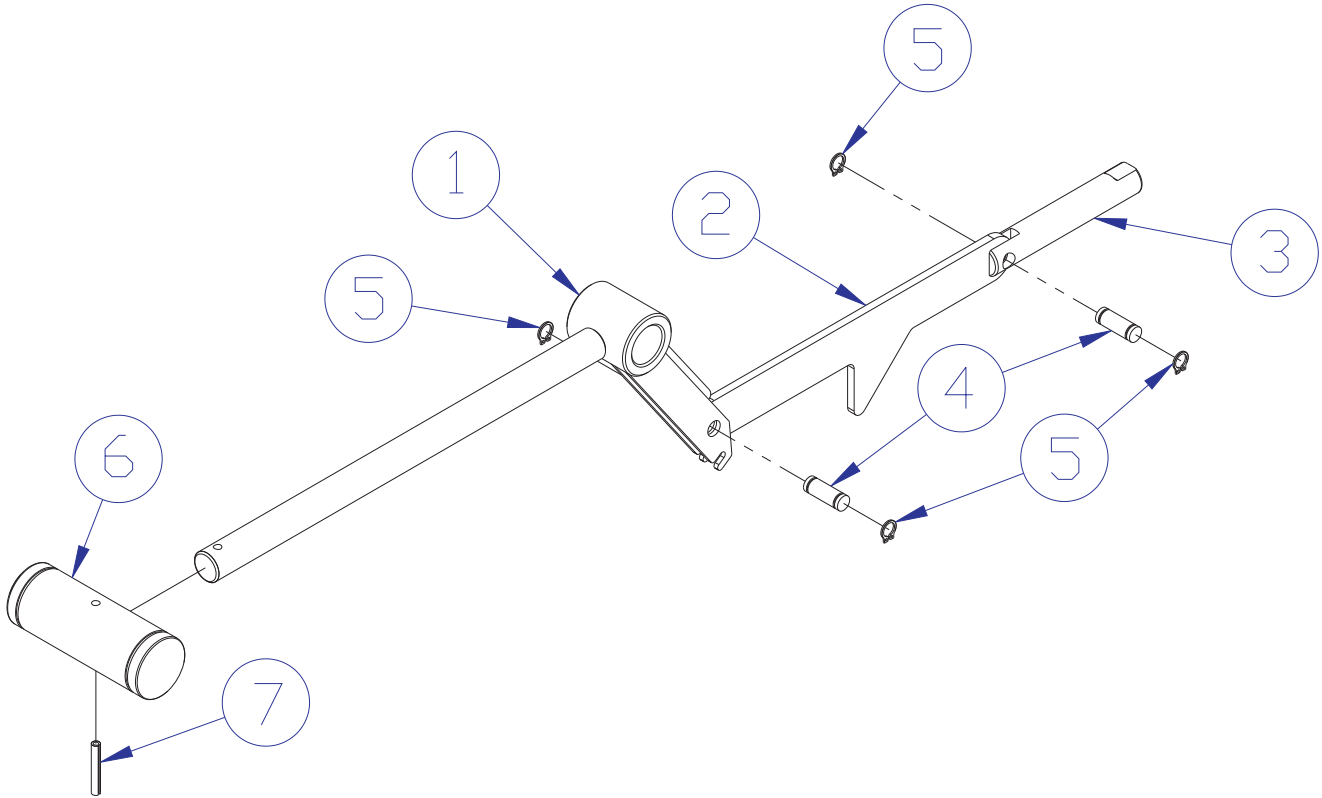
# FZAB ABDOMINAL FZ SEAT CARRIAGE ASSEMBLY - 7657501



ITEM NO	QTY	PART NO	DESCRIPTION
1	1	7626901	WLDMT, FZ SEAT CARRIAGE
2	4	7331501	ROLLER, SEAT CARRIAGE
3	2	3236801	NUT, M10 HEX NYLOCK SS
4	1	3235701	SPRING, GAS 150N
5	2	7414301	STUD, M10 BALL END M10 X 1.5
6	4	3232409	RING, RETAINING, EXTERNAL
7	1	7339401	BRACKET, GAS SPRING
8	1	7334001	FOOT, 2.50 X 4.49 FLOV
9	2	3241201	M4 PHL PAN F ST ZN
10	4	3243801	WASHER, .500 X .750 X .010 SHIM
11	1	3247501	NUT, M5 X 0.8 HEX JAM ST ZN
12	1	3247402	M5 X 0.8 X 10 HXS NO CUP ST BO
13	2	3236501	M4 X 0.7 PHL PAN MS ST ZN
14	2	7617501	ROLLER, FLANGE
15	1	7617401	BRKT, ROLLER
16	2	3232401	RING, RETAINING, EXTERNAL
17	1	7407503	PIN, LINK

# FZAB ABDOMINAL FZAB ADJUSTER HANDLE ASSEMBLY - 7778101

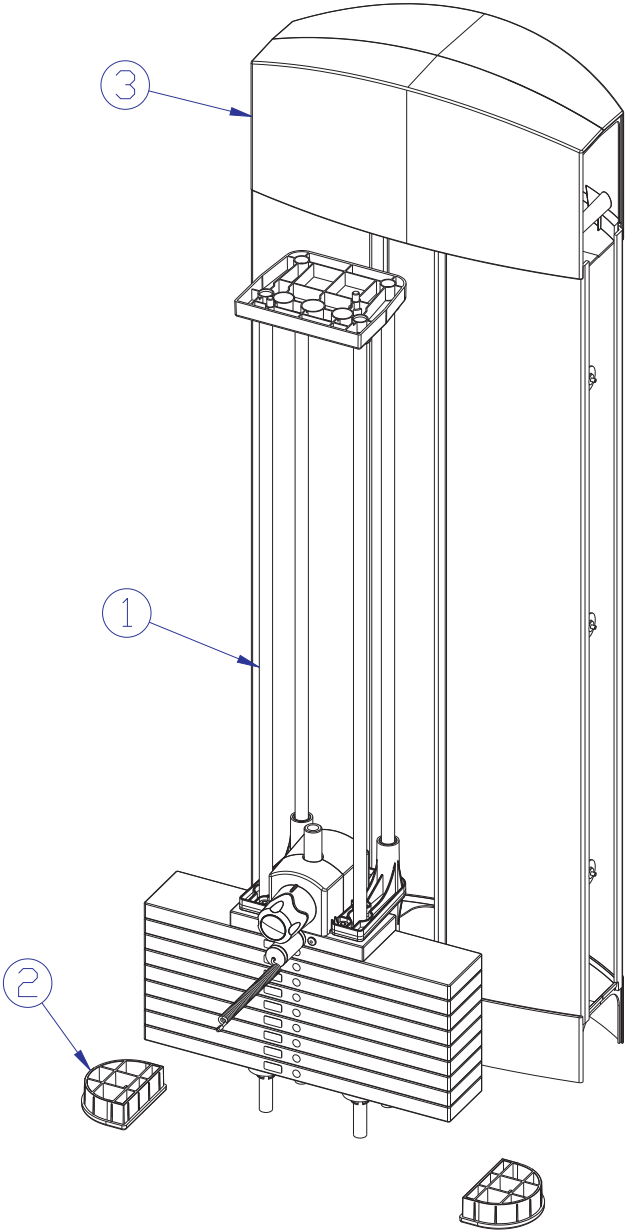
---



ITEM NO	QTY	PART NO	DESCRIPTION
1	1	7777695	WLDMT, FZAB ADJ HANDLE SHADOW GRAY
2	1	7331801	LINK, ADJUSTER
3	1	7331601	PIN, INDEX
4	2	7407501	PIN, LINK
5	4	3232401	RING, RETAINING, EXTERNAL
6	1	7287901	HANDLE, ADJUSTER
7	1	3110010	ROLL PIN, 1/8 X 7/8

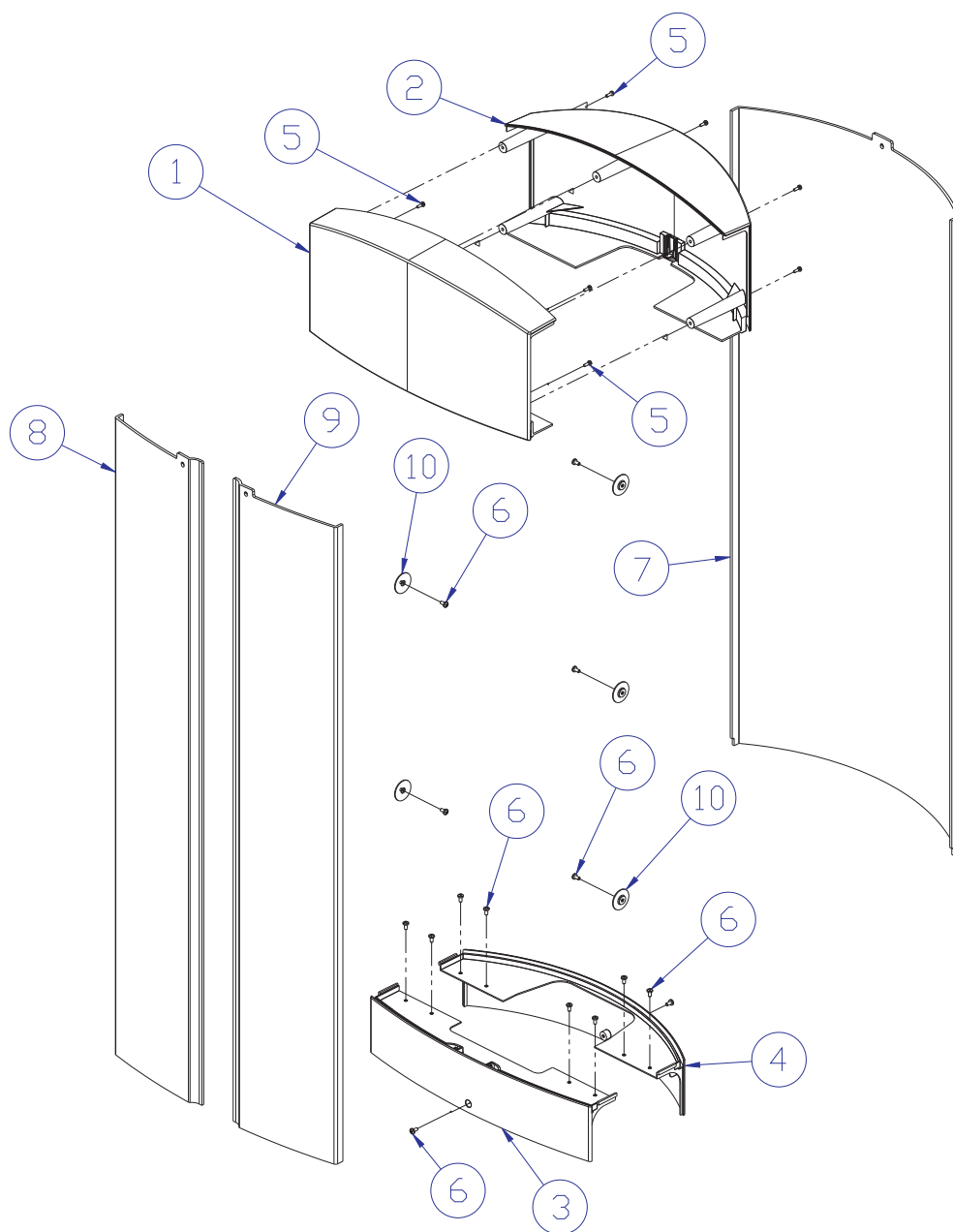
# FZAB ABDOMINAL MID-9 TOWER ASSEMBLY - 7420301

---



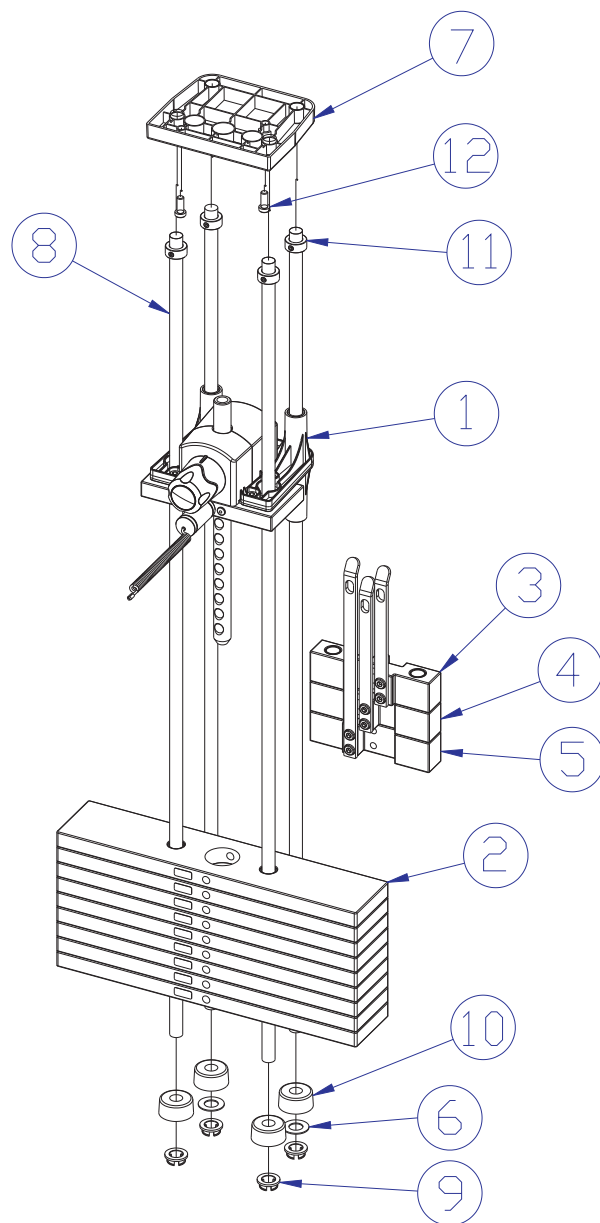
ITEM NO	QTY	PART NO	DESCRIPTION
1	1	7420001	ASSY, WEIGHT STACK MID-9
2	2	7326301	CAP, D-TUBE-BTM
3	1	7419801	ASSY, TOWER PLASTICS-MID

# FZAB ABDOMINAL PLASTIC TOWER ASSEMBLY - 7419801



ITEM NO	QTY	PART NO	DESCRIPTION
1	1	7318601	COVER, TOWER- TOP FRONT
2	1	7318701	COVER, TOWER- TOP REAR
3	1	7318801	COVER, TOWER- BOTTOM FRONT
4	1	7318901	COVER, TOWER- BOTTOM REAR
5	9	3236501	M4 X 0.7 PHL PAN MS ST ZN
6	16	3239101	SCREW, M5X10 PHL PAN TT ST
7	1	7318301	SHROUD, TOWER- REAR SHORT
8	1	7318401	SHROUD, TOWER- FRT SHORT RH
9	1	7318402	SHROUD, TOWER- FRT SHORT LH
10	6	7583501	RETAINER, FZ SHROUD

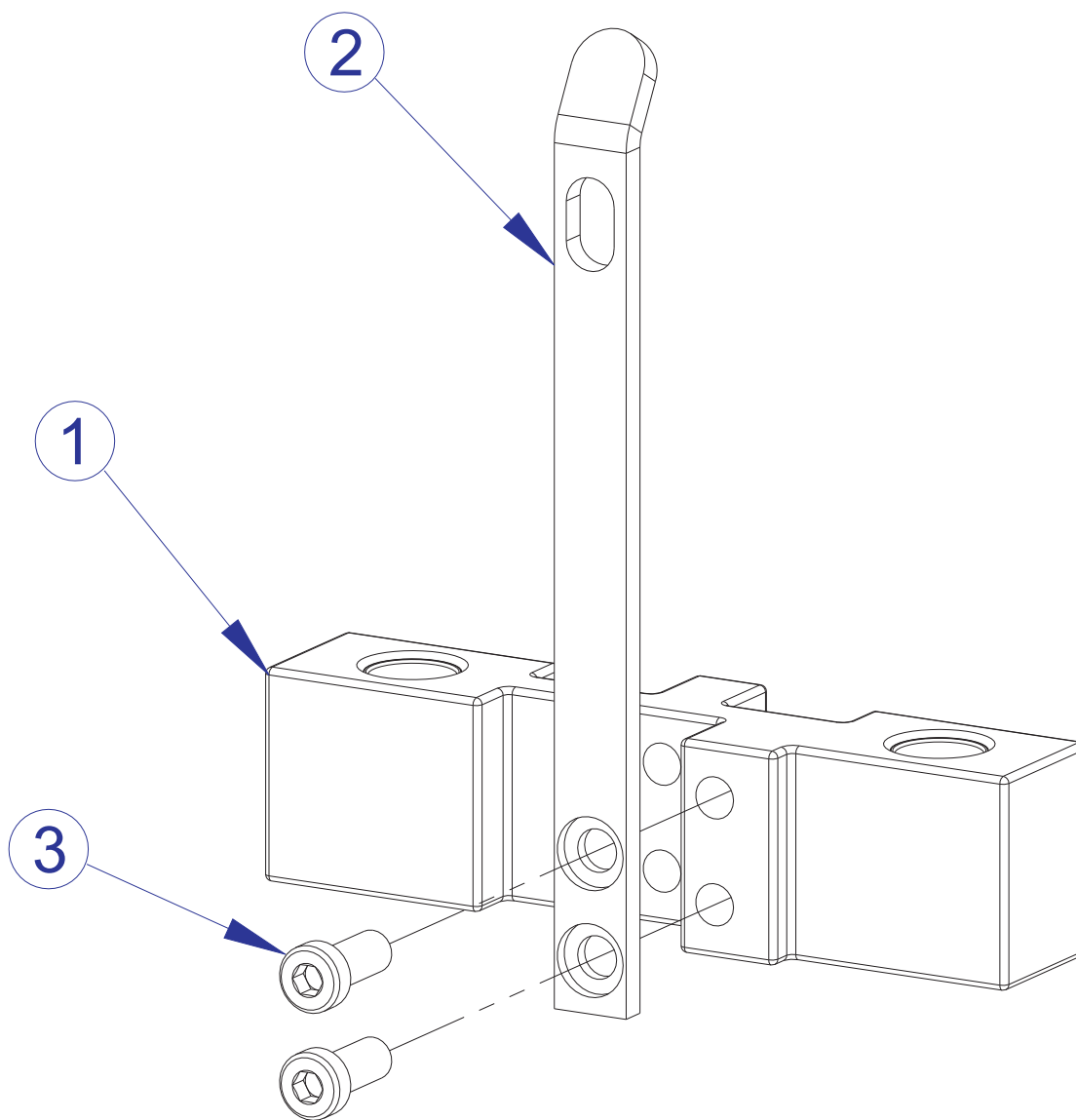
# FZAB ABDOMINAL MID-9 WEIGHT STACK ASSEMBLY - 7420001



ITEM NO	QTY	PART NO	DESCRIPTION
1	1	7350601	ASSY, HEAD PLATE (9)
2	9	7328401	WEIGHT PLATE, 20 LB
3	1	7327601	ASSY, INCREMENT WT-5LB
4	1	7327701	ASSY, INCREMENT WT-10LB
5	1	7327801	ASSY, INCREMENT WT-15LB
6	2	7351001	SPACER, INC WT STACK
7	1	7621101	RETAINER, GUIDE ROD-TOP
8	4	7328602	GUIDE ROD, .75 OD SOLID X 53.50
9	4	7337901	BUSHING, GUIDE ROD
10	4	7352101	CUSHION, WEIGHT STACK
11	4	3103301	SHAFT COLLAR, 3/4" ID ZINC
12	2	3236202	M10 X 1.5 X 25 HXS SOC CS SS

# FZAB ABDOMINAL 5 LB INCREMENT WEIGHT ASSEMBLY - 7327601

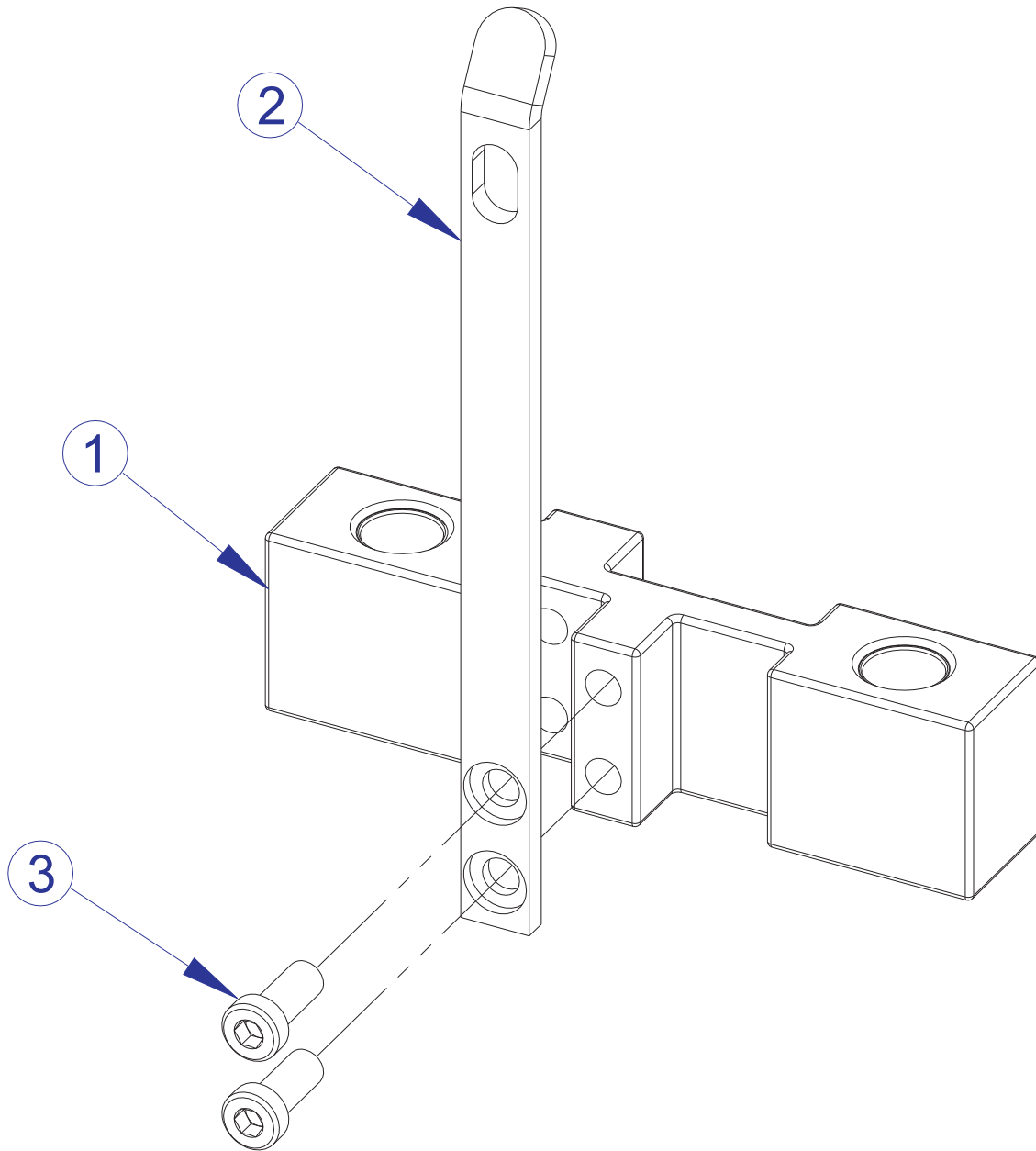
---



ITEM NO.	QTY.	PART NO.	DESCRIPTION
1	1	7968501	ASSY, FZ INC WEIGHT 5LB
2	1	7328001	BRKT, INCREMENT WT - 5 LB
3	2	3236202	SCREW, M10 X1.5 25MM

# FZAB ABDOMINAL 10 LB INCREMENT WEIGHT ASSEMBLY - 7327701

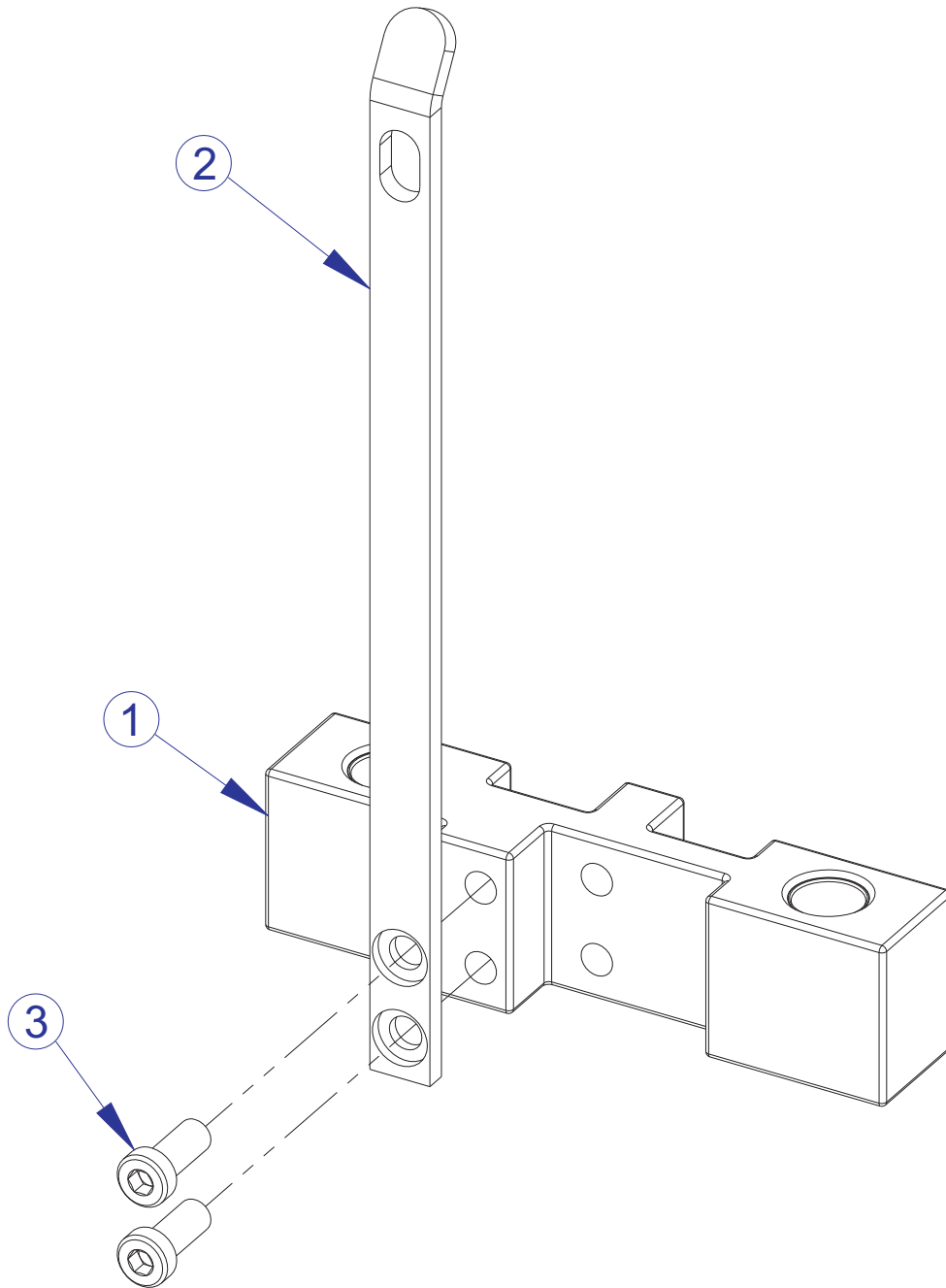
---



ITEM NO.	QTY.	PART NO.	DESCRIPTION
1	1	7968501	ASSY, FZ INC WEIGHT 5LB
2	1	7328101	BRKT, INCREMENT WT - 10 LB
3	2	3236202	SCREW, M10 X1.5 25MM

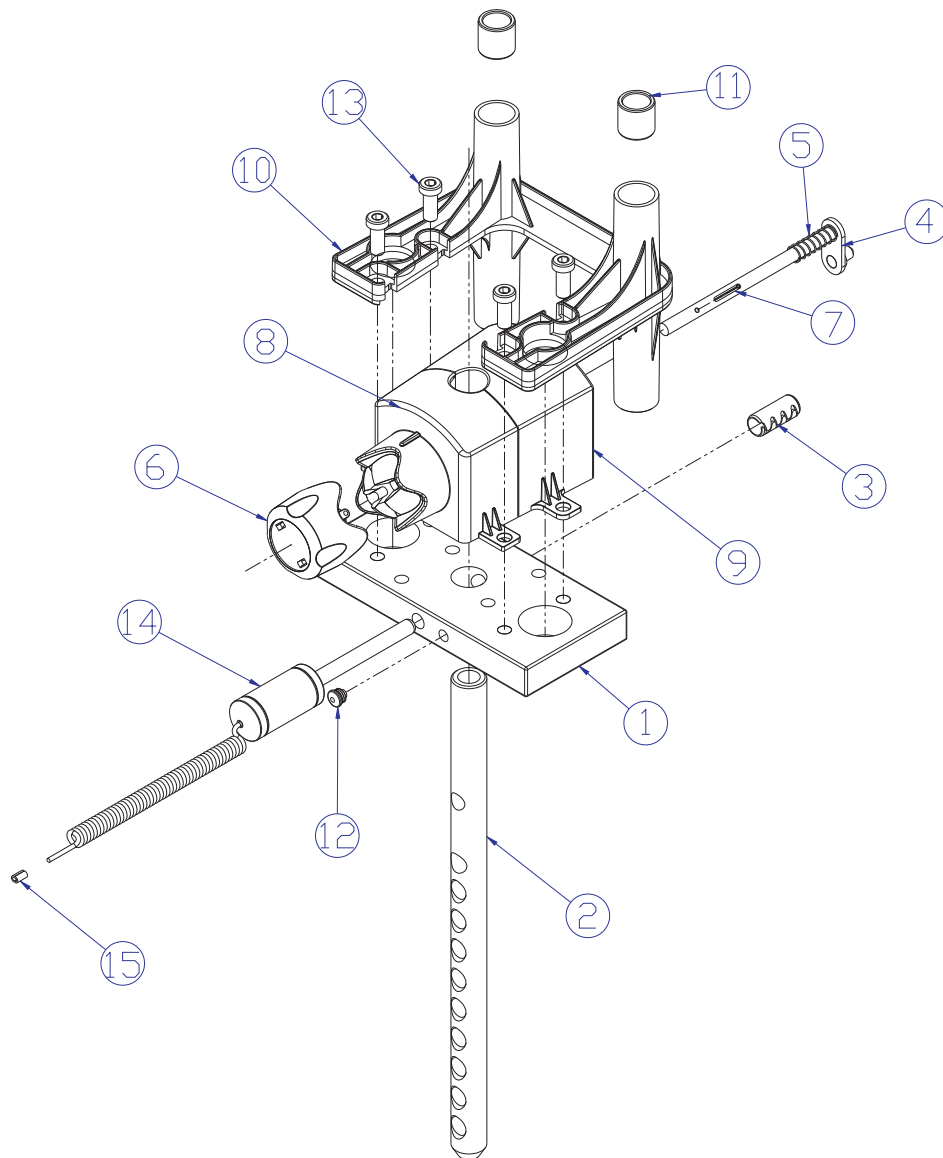
# FZAB ABDOMINAL 15 LB INCREMENT WEIGHT ASSEMBLY - 7327801

---



ITEM NO.	QTY.	PART NO.	DESCRIPTION
1	1	7968501	ASSY, FZ INC WEIGHT 5LB
2	1	7328201	BRKT, INCREMENT WT - 15 LB
3	2	3236202	SCREW, M10 X1.5 25MM

# FZAB ABDOMINAL HEAD PLATE ASSEMBLY - 7350601



ITEM NO	QTY	PART NO	DESCRIPTION
1	1	7326701	HEAD PLATE
2	1	7347801	STEM, 9 PLATE
3	1	3236001	BUSHING, SPRING PIN
4	1	7327201	WLDMT, INCREMENT WT PIN
5	1	6411801	SPRING, POP PIN 3/8 DIA X 2-3/4
6	1	7326101	KNOB, INC WT SELECTOR
7	1	3110008	ROLL PIN, 1/8 X 1-1/4
8	1	7326401	HOUSING, SELECTOR - FRONT
9	1	7326501	HOUSING, SELECTOR - REAR
10	1	7362101	STABILIZER, HEAD PLATE
11	4	7459601	BUSHING, HEAD PLT STABILIZER
12	1	7356501	PLUG, LANYARD ATTACHMENT
13	4	3236202	SCREW, M10 X1.5 25MM
14	1	7338101	ASSY, WT STACK SELECTOR PIN
15	1	7523601	CRIMP, CABLE

# FZAB ABDOMINAL IMAGE

---

