

HAMMER
STRENGTH

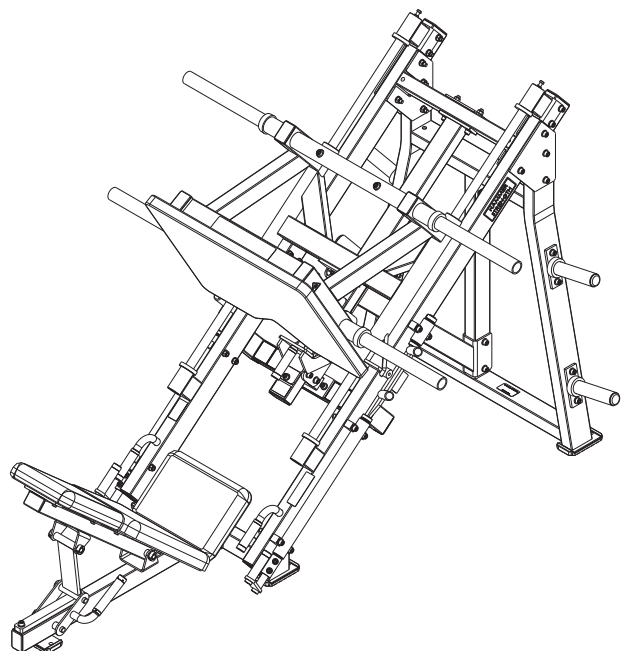
**HAMMER
STRENGTH®**

building champions

HAMMER STRENGTH HSLLP LINEAR LEG PRESS

PARTS LIST

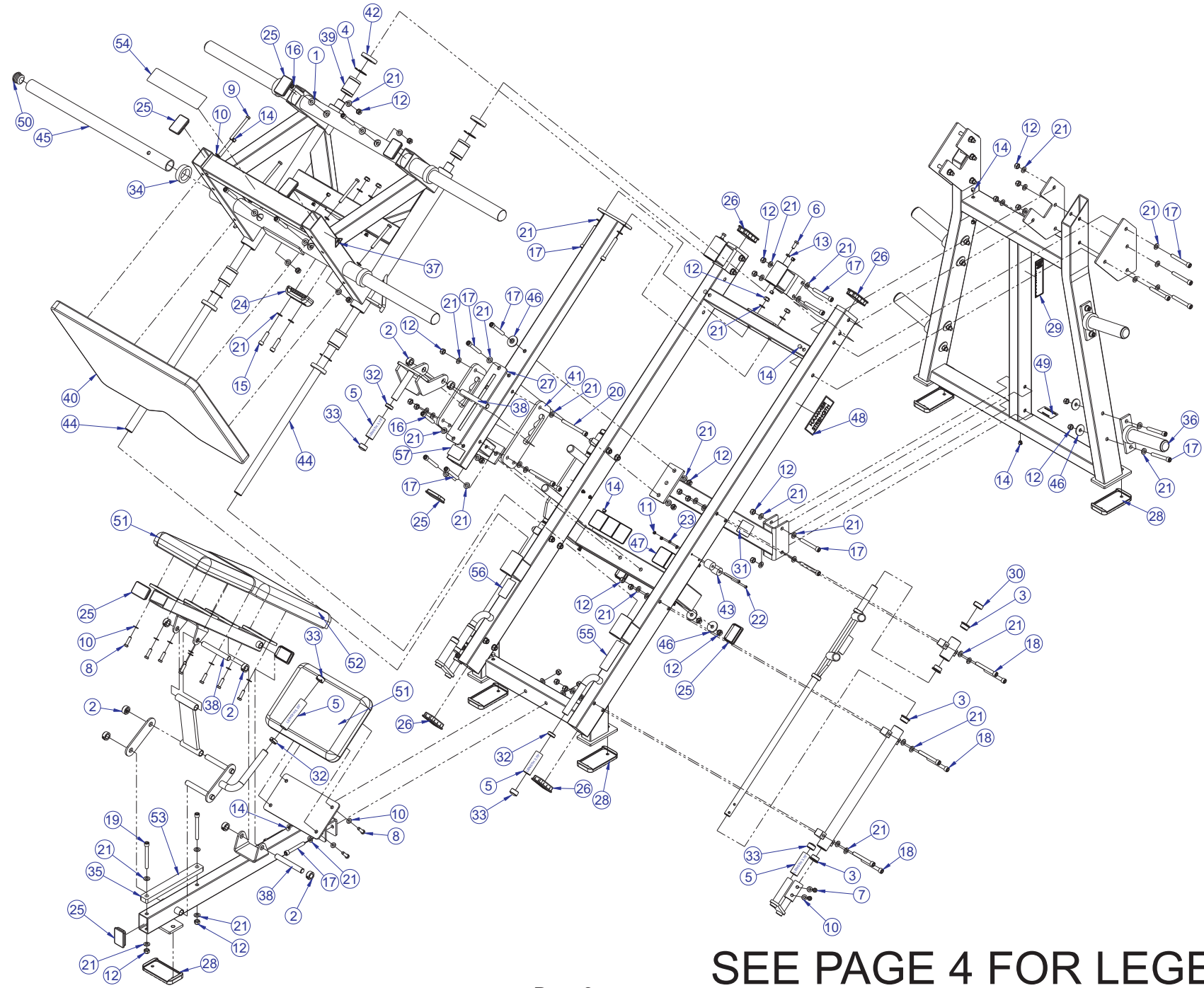
HSLLP / 4/26/2012



HSLLP LINEAR LEG PRESS CONTENTS

	PAGE
COMPONENT ASSEMBLY	3
COMPONENT ASSEMBLY LEGEND	4
UPHOLSTERY PADS	5
WELDMENT LIST	6
WELDMENT LIST LEGEND	7
WEIGHT HORN ASSEMBLY	8
IMAGE	9

HSLLP LINEAR LEG PRESS COMPONENT ASSEMBLY



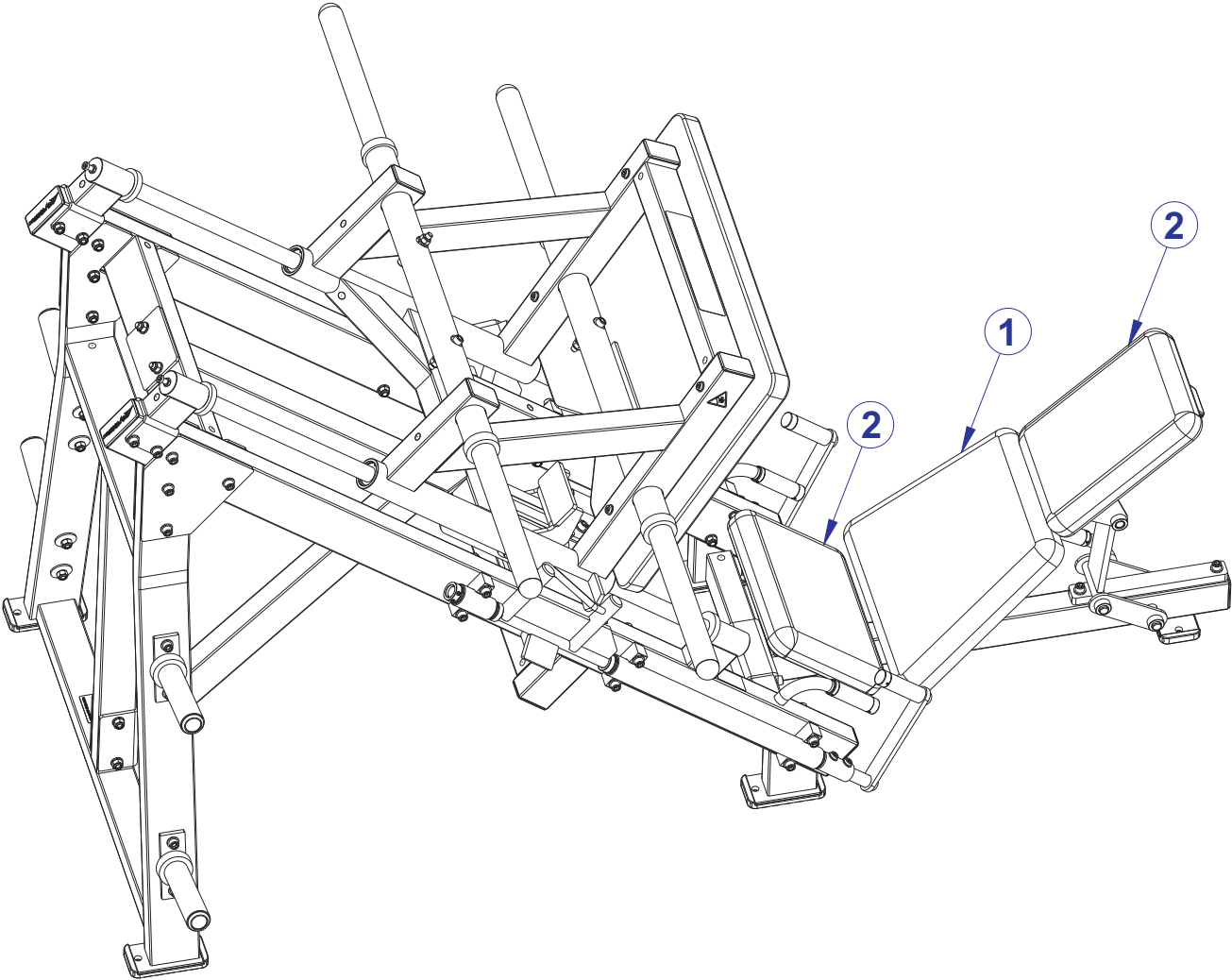
SEE PAGE 4 FOR LEGEND

HSLLP LINEAR LEG PRESS COMPONENT ASSEMBLY LEGEND

ITEM NO.	QTY.	PART NO.	DESCRIPTION
1	4	3102507	WASHER, TYPE A PLAIN
2	8	3103301	SHAFT COLLAR, 3/4 I.D. ZINC
3	8	3104906	1.00" ID 1.25" OD BRONZ BUSHING
4	4	3202602	RING, INCH SERIES INT RETAINING
5	5	3235801	GRIP, HSLLP 3.6875
6	2	3236202	SCREW, M10 X1.5 25MM
7	4	3236203	SCREW, M10 X1.5 30MM
8	12	3236204	SCREW, M10 X1.5 35MM
9	4	3236218	SCREW, M10 X1.5 110MM
10	20	3236601	WASHER, 3/8 SAE SS
11	4	3236802	NUT, M6 HEX NYLOCK SS
12	54	3236803	NUT, M12 HEX NYLOCK SS
13	2	3236901	NUT, M10 X 1.5 JAM
14	26	3237402	PLUG, HOLE
15	2	3241306	SCREW, M12 X1.75 45MM
16	5	3241313	SCREW, M12 X1.75 80MM
17	30	3241315	SCREW, M12 X1.75 90MM
18	12	3241317	SCREW, M12 X1.75 100MM
19	2	3241319	SCREW, M12 X1.75 110MM
20	3	3241320	SCREW, M12 X1.75 120MM
21	93	3241401	WASHER, FLAT 12MM SS
22	4	3241712	SCREW, M6 X1 75MM
23	4	3241801	WASHER, FLAT 6MM SS
24	1	7352001	BUMPER, 2-1/8 X 4-5/8
25	10	7352301	CAP, END 2 X 3
26	4	7352401	CAP, END 2 X 4
27	1	7359701	SEATRACK FRONT
28	5	7388201	FOOTPAD, PS RUBBER
29	1	87737XX	LABEL, 2" ASTM WARN
30	2	7435301	COLLAR, SHAFT 1.020 ID
31	1	7571302	LABEL, SERIAL NUMBER HAMMER
32	4	7662801	RING, GRIP 1.25 OD
33	6	7662901	CAP, GRIP 1.25 OD
34	4	7671601	MM5 RING
35	1	7709801	BUMPER, 1" STRIP
36	4	7760201	ASSY, WEIGHT HORN
37	2	8039501	LABEL, WARNING, TRIANGLE
38	3	8074901	SHAFT, P11L2, SEAT ADJ
39	4	8271101	BEARING, LINEAR BALL 1.25
40	1	8273701	BOARD, HSLLP LINE-X
41	2	8273901	PLATE, HSLLP STOP
42	4	8274001	BUMPER, HSLLP CARRIAGE
43	4	8274301	BUMPER, HSLLP RACKOUT
44	2	8274401	GUIDE ROD, HSLLP 1.25 CASE HARDENED
45	4	8307801	TUBE, HSLLP WT ROD
46	11	H-BACK-WASH	BACKING WASHER
47	2	H-PLATE-G3	LARGE PLATE GUARD
48	2	M051-00289-A000	HAMMER STRENGTH NAME PLATE
49	1	M051-00299-A000	HAMMER PATENT DECAL
50	4	RUBCAP1	RUBBER CAP #1
51	2	74221XX	PAD, BACK 15 X 11-1/4
52	1	73991XX	PAD, SEAT 17 X 18-5/8
53	1	7709801	BUMPER, 1" STRIP
54	1	8270601	HSLLP INSTRUCTIONAL PLACARD
55	1	82702XX	LABEL, HSLLP EXERCISE INSTR
56	1	82705XX	LABEL, HSLLP LOCK WARNING
57	1	83272XX	HSLLP E-STOP LABEL

NOTE: ITEMS ENDING IN XX ARE COLOR OR LANGUAGE SPECIFIC.

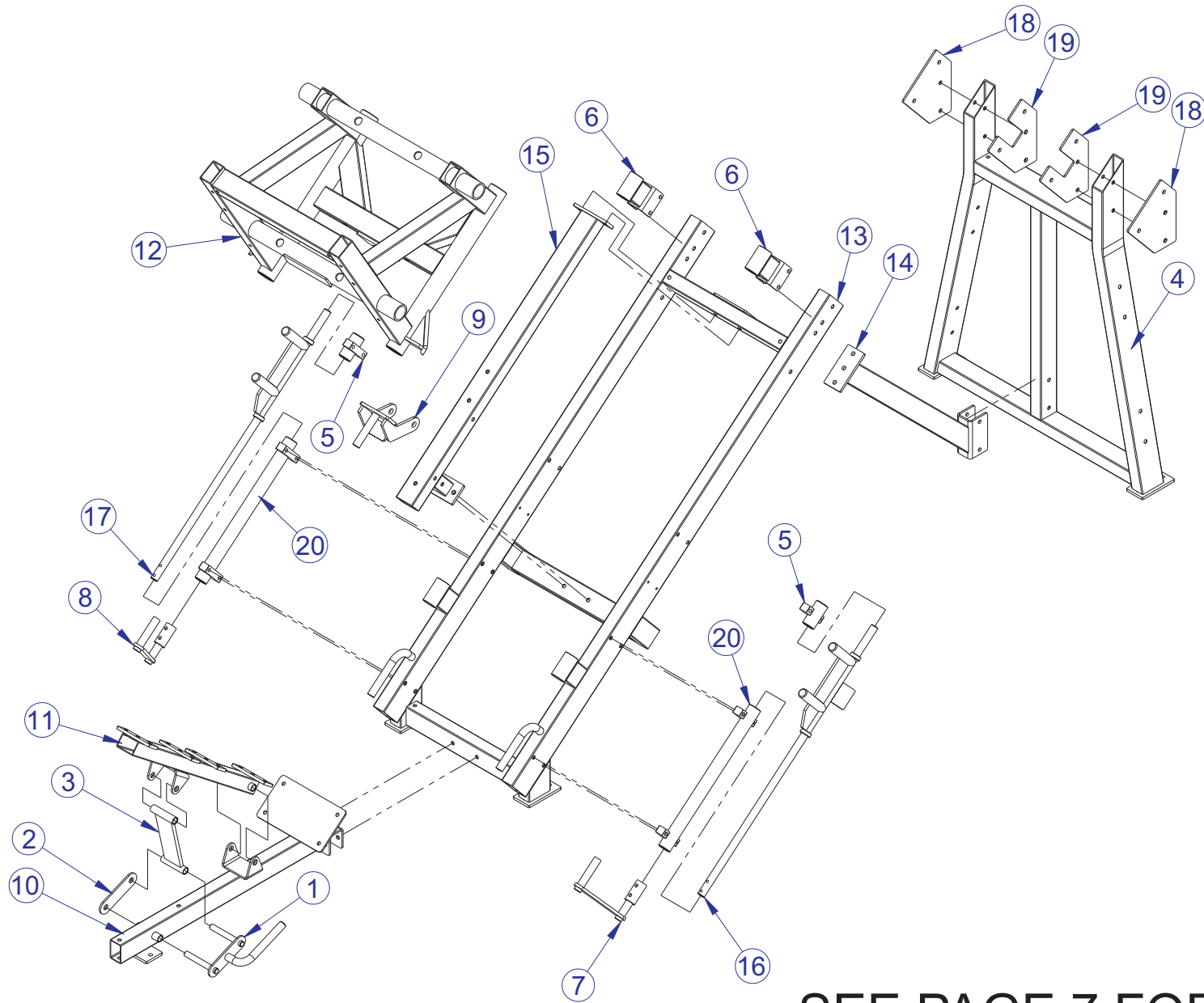
HSLLP LINEAR LEG PRESS UPHOLSTERY PADS



ITEM NO.	QTY.	PART NO.	DESCRIPTION
1	1	73991XX	PAD, SEAT 17 X 18-5/8
2	2	74221XX	PAD, BACK 15 X 11-1/4

NOTE: ITEMS ENDING IN XX ARE COLOR SPECIFIC.

HSLLP LINEAR LEG PRESS WELDMENT LIST

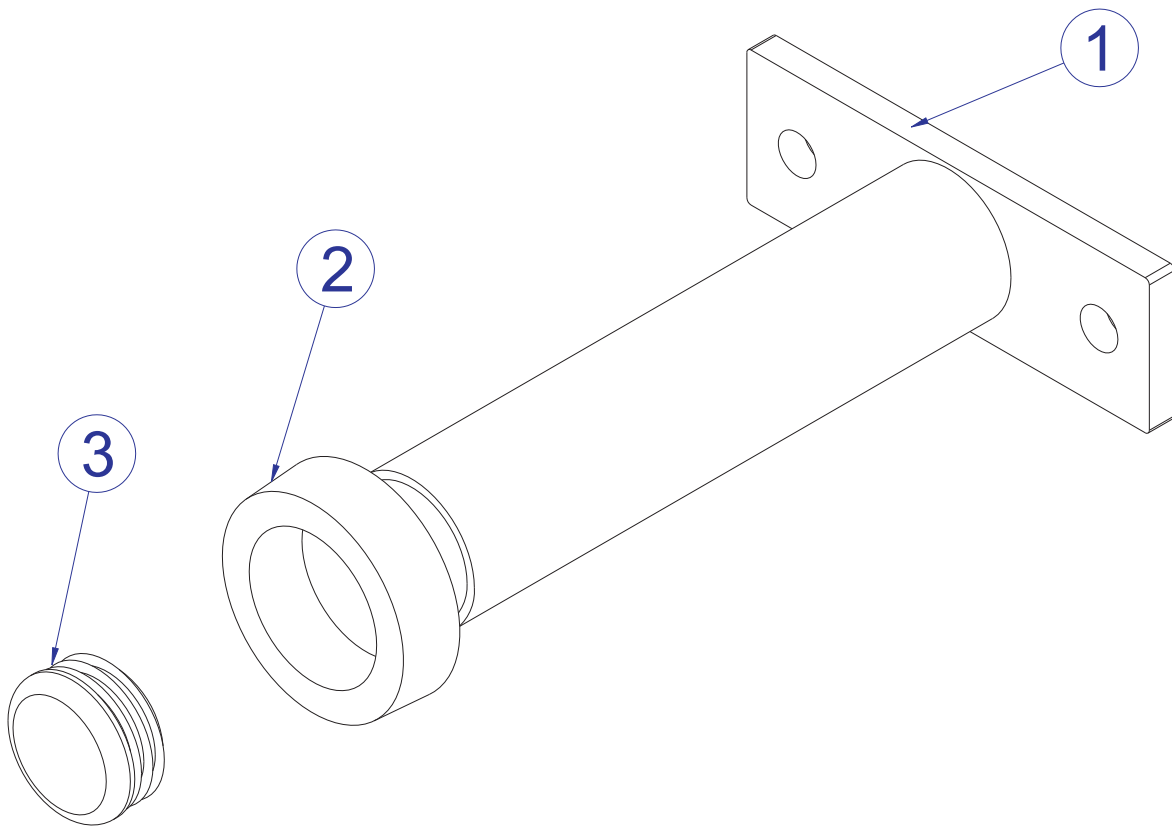


SEE PAGE 7 FOR LEGEND

HSLLP LINEAR LEG PRESS WELDMENT LIST LEGEND

ITEM NO.	QTY.	PART NO.	DESCRIPTION
1	1	7699601	WLDMT, PLL2 SEAT ADJ. HANDLE
2	1	7699701	PLATE, PLL2 .25" SEAT ADJ.
3	1	7699901	WLDMT, PLL2 SEAT ADJ LNK
4	1	8266501	WLDMT, HSLLP FRAME
5	2	8267201	WLDMT, HSLLP HSG
6	2	8267501	WLDMT, HSLLP HSG
7	1	8267901	WLDMT, HSLLP HANDLE (R)
8	1	8268401	WLDMT, HSLLP HANDLE (L)
9	1	8268501	WLDMT, HSLLP STOP
10	1	8268801	WLDMT, HSLLP SEAT FRAME
11	1	8269101	WLDMT, HSLLP SEATBACK
12	1	8269301	WLDMT, HSLLP CARRIAGE
13	1	8271301	WLDMT, HSLLP MAIN
14	1	8272401	WLDMT, HSLLP SUPPORT
15	1	8272601	WLDMT, HSLLP
16	1	8272901	WLDMT, HSLLP RIGHT RACKOUT
17	1	8273601	WLDMT, HSLLP LEFT RACKOUT
18	2	8284701	PLATE, HSLLP OUTER
19	2	8284801	PLATE, HSLLP INNER
20	2	8285001	WLDMT, HSLLP HSG

HSLLP LINEAR LEG PRESS WEIGHT HORN ASSEMBLY



ITEM NO.	QTY.	PART NO.	DESCRIPTION
1	1	7762701	WEIGHT HORN
2	1	7671601	MM5 RING
3	1	3119302	CAP, END 1.75 DIA RD 14-20 GA

HSLLP LINEAR LEG PRESS IMAGE

