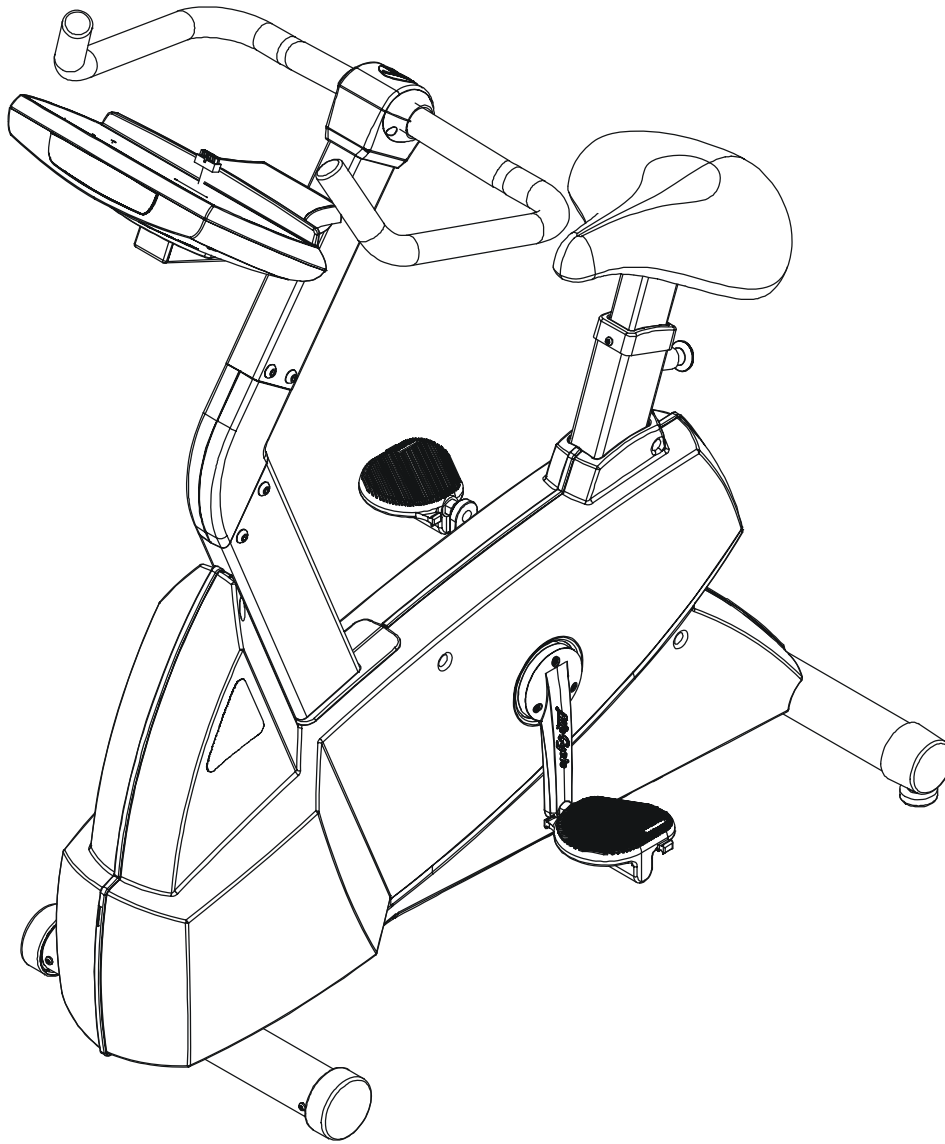


# LifeFitness

ARCTIC SILVER 90CW Upright Bike



Customer Support Services  
**PARTS MANUAL** revised 29 Apr 2008

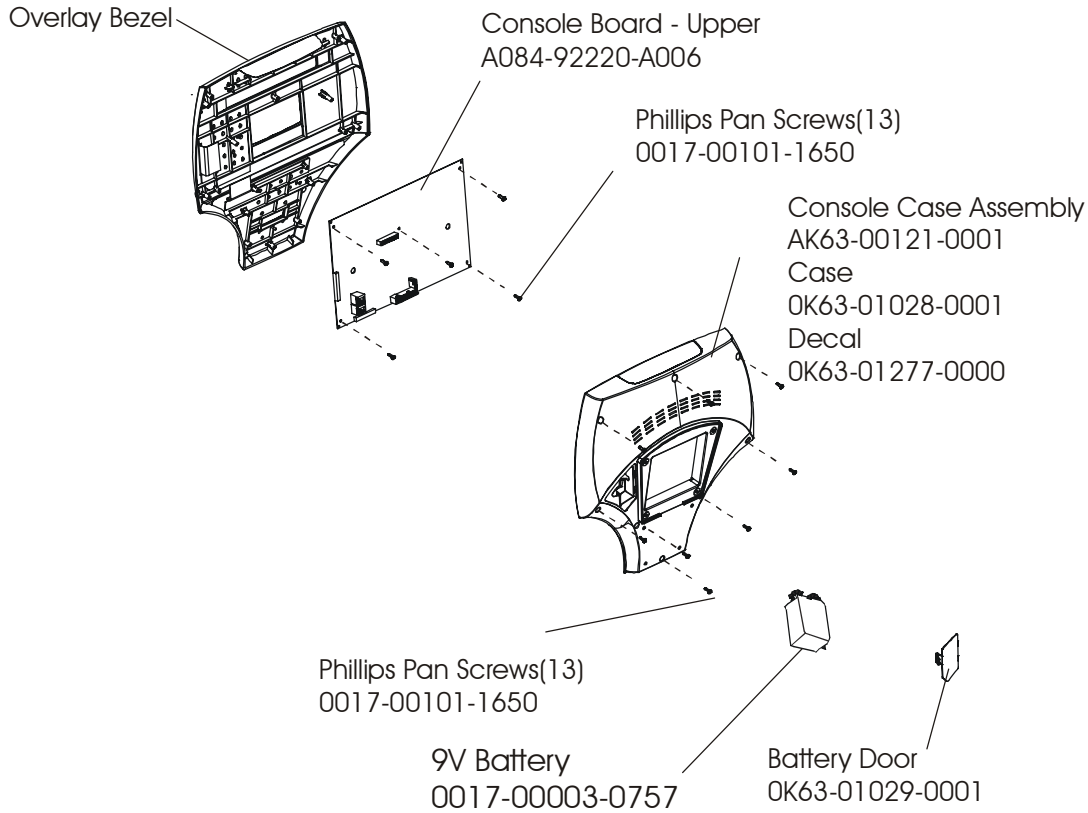
|  |  |
|--|--|
| OPERATION MANUAL   | M051-00K63-A068  |
| ACCESSORY TRAY   | GK63-00002-0004  |
| HARDWARE BAG   | GK63-00002-0044  |
| POLAR UPGRADE KIT  | GK63-00002-0002  |
| TOUCH UP PAINT:<br>SPRAY CAN<br>.5 OZ BOTTLE<br>.33 OZ PEN   | 0017-00008-0204<br>0017-00008-0205<br>0017-00008-0206                    |
| COAX CABLE   | AK32-00020-0002  |
| ER READY BRACKET ASSEMBLY<br>ASSEMBLY CONSISTS OF:<br>1) POWER CABLE<br>2) ER READY BRACKET<br>3) F TYPE CONNECTOR | AK63-00215-0000<br>AK32-00078-0001<br>OK63-01329-0000<br>0017-00021-2846 |
| SERVICE MANUAL   | M051-00K63-A009  |

**NOTE: ADDING THE BOLT ON LCD SCREEN TO THE  
90CW-0XXX-01 MAKES THE UNIT A 90CER-0XXX-02.**

|   | Page |
|---|------|
| CONSOLE COMPONENTS .....                      | 4    |
| CONSOLE MOUNTING SCREWS AND POLAR COVERS..... | 5    |
| ALTERNATOR W/PULLEY .....                     | 6    |
| CRANKSHAFT AND BEARING ASSEMBLY.....          | 7    |
| INTERMEDIATE SHAFT AND BEARING ASSEMBLY.....  | 8    |
| SEAT LATCH ASSEMBLY.....                      | 9    |
| SEAT POST ASSEMBLY .....                      | 10   |
| SEAT POST SHROUDS.....                        | 11   |
| IDLER BRACKET ASSEMBLY.....                   | 12   |
| CONSOLE SUPPORT ASSEMBLY.....                 | 13   |
| LEFT SIDE SHROUD AND CRANKARM.....            | 14   |
| RIGHT SIDE SHROUD AND CRANKARM.....           | 15   |
| PCB MOUNTING BRACKET ASSEMBLY.....            | 16   |
| FRONT WHEELS.....                             | 17   |
| RESISTOR ASSEMBLY.....                        | 18   |
| HANDLEBAR ASSEMBLY.....                       | 19   |
| BELTS.....                                    | 20   |
| CABLES.....                                   | 21   |

**ARCTIC SILVER 90CW**  
**Console Components**

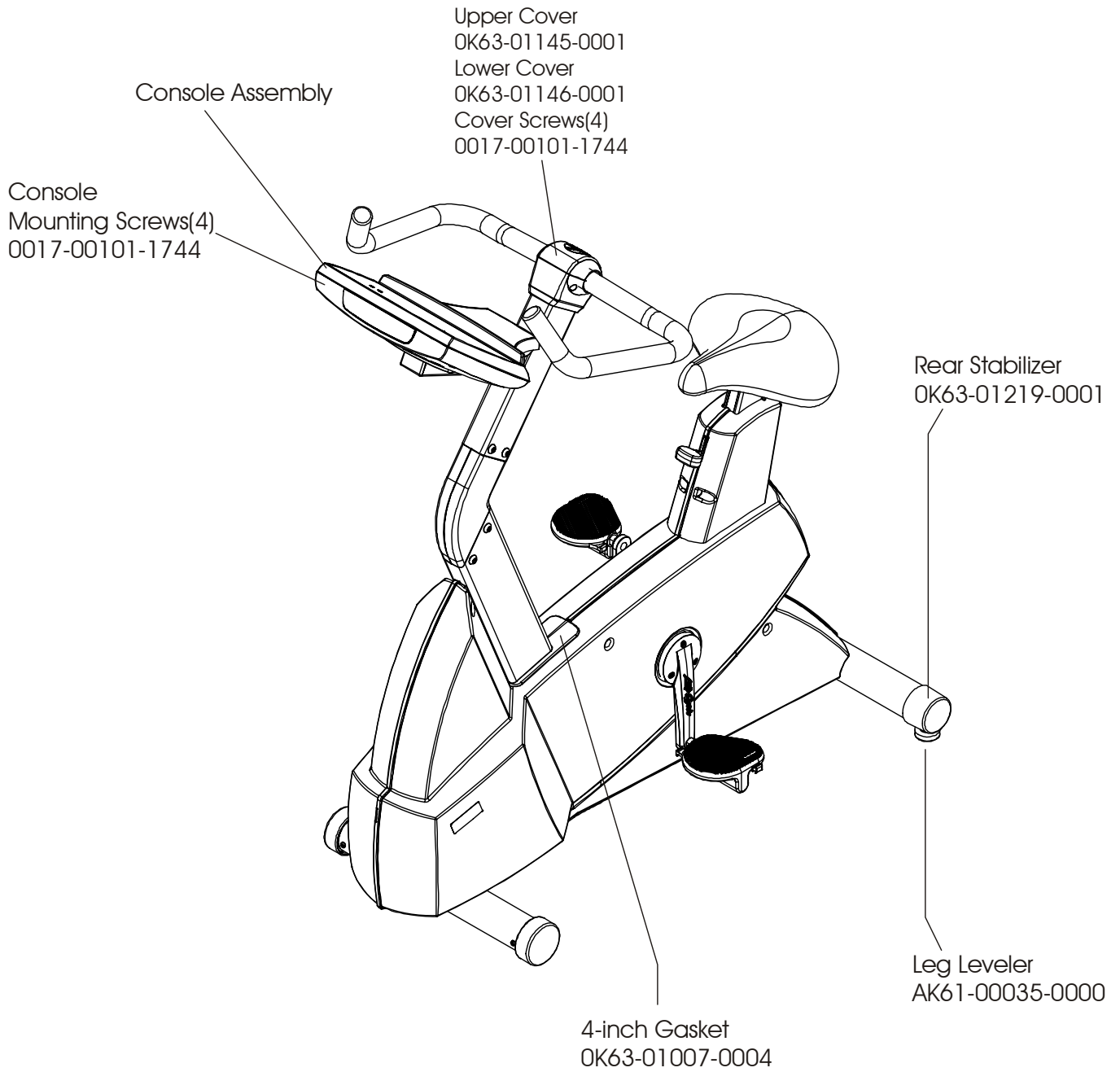
**90CW-0XXX-01**  
**S/N CCI100000 and UP**



| Console Assembly        | Bezel W/Overlay Assy.   |
|-------------------------|-------------------------|
| AK63-00162-0001 Eng Met | AK63-00167-0001 Eng Met |
| AK63-00162-0003 Ger Met | AK63-00167-0003 Ger Met |
| AK63-00162-0004 Spn Met | AK63-00167-0004 Spn Met |
| AK63-00162-0006 Jap Met | AK63-00167-0006 Jap Met |
| AK63-00162-0007 Frn Met | AK63-00167-0007 Frn Met |
| AK63-00162-0008 Itl Met | AK63-00167-0008 Itl Met |
| AK63-00162-0009 Dut Met | AK63-00167-0009 Dut Met |
| AK63-00162-0010 Por Met | AK63-00167-0010 Por Met |

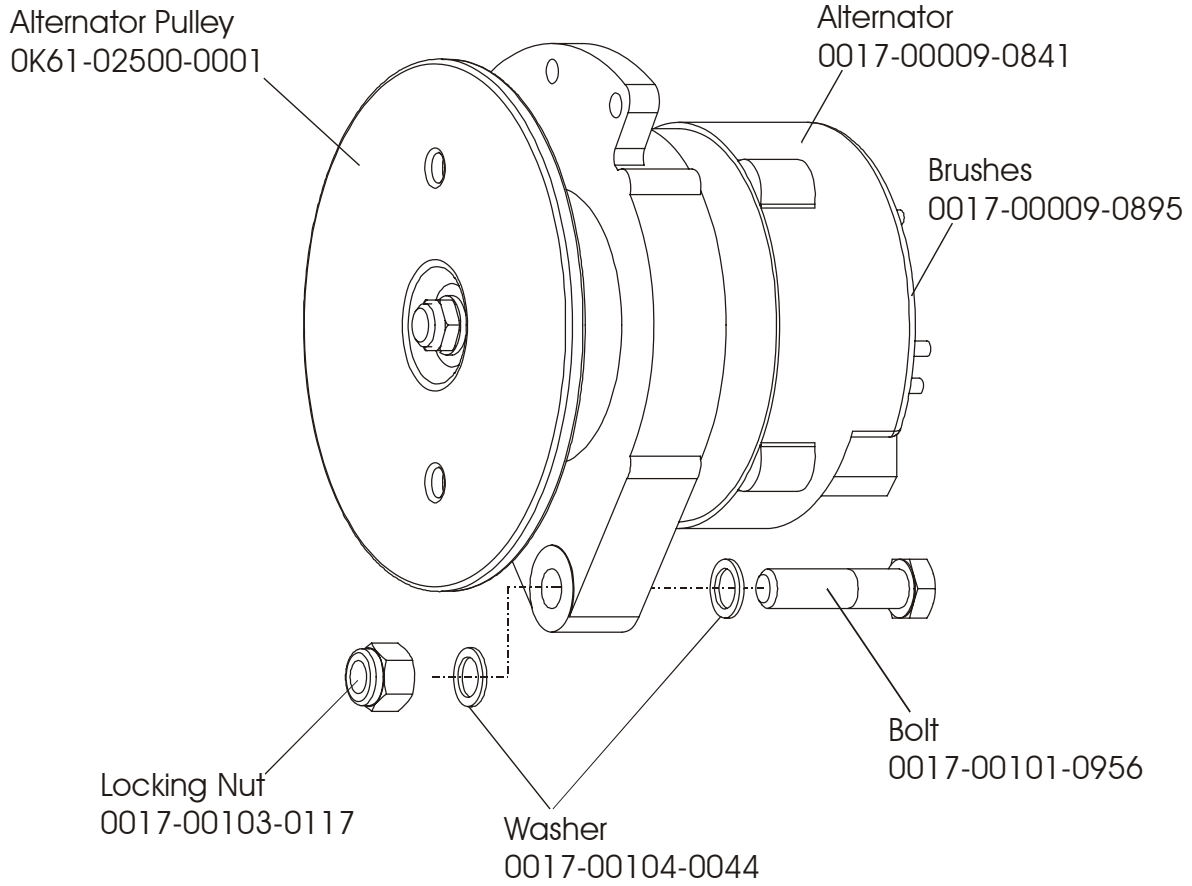
**ARCTIC SILVER 90CW**  
**Console Screws & Polar Covers**

**90CW-0XXX-01**  
**S/N CCI100000 and UP**



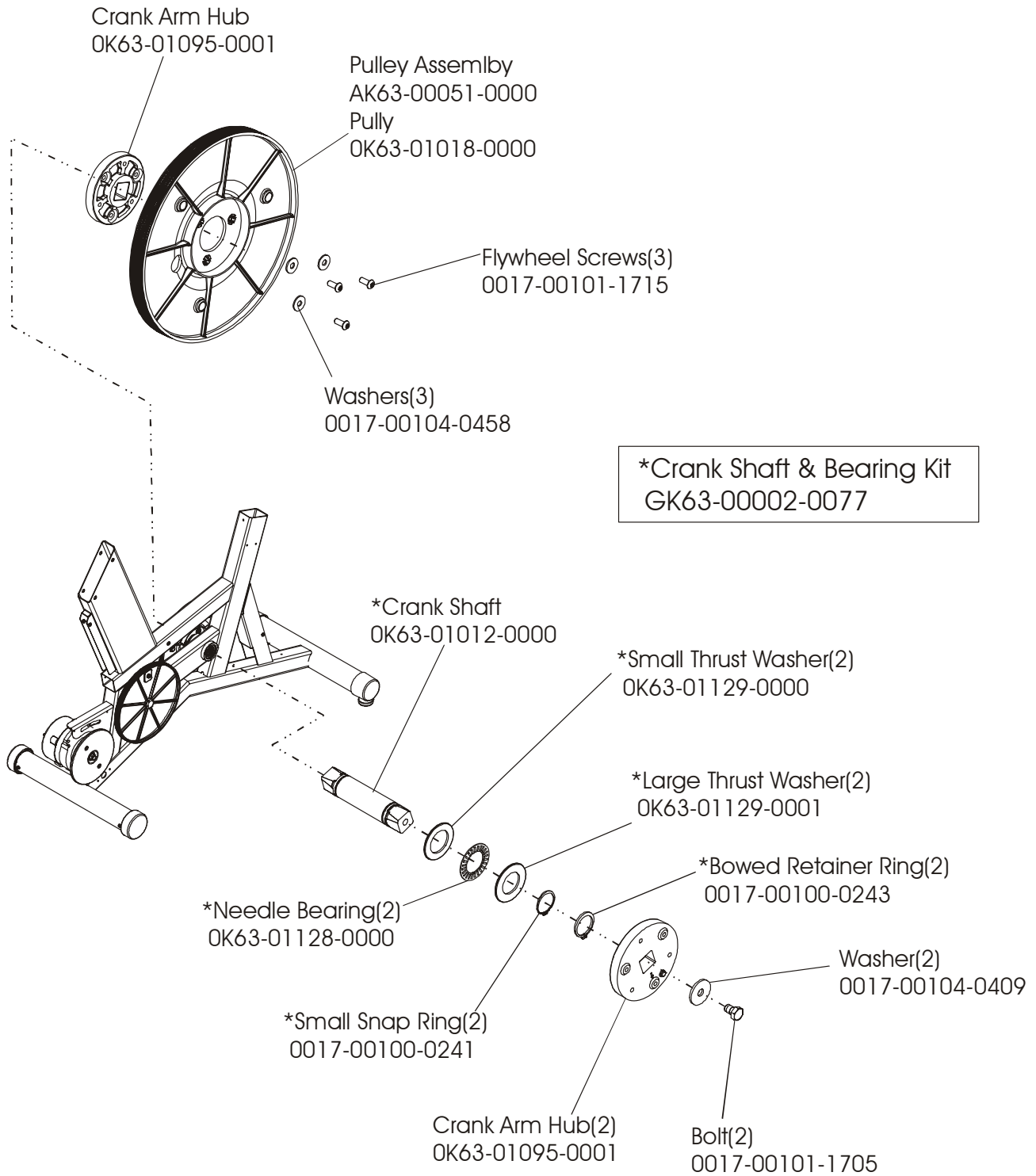
**ARCTIC SILVER 90CW**  
**Alternator w/Pulley - AK63-00093-0000**

**90CW-0XXX-01**  
**S/N CCI100000 and UP**



**ARCTIC SILVER 90CW**  
**Crankshaft and Bearing Assembly**

**90CW-0XXX-01**  
**S/N CCI100000 and UP**



# ARCTIC SILVER 90CW

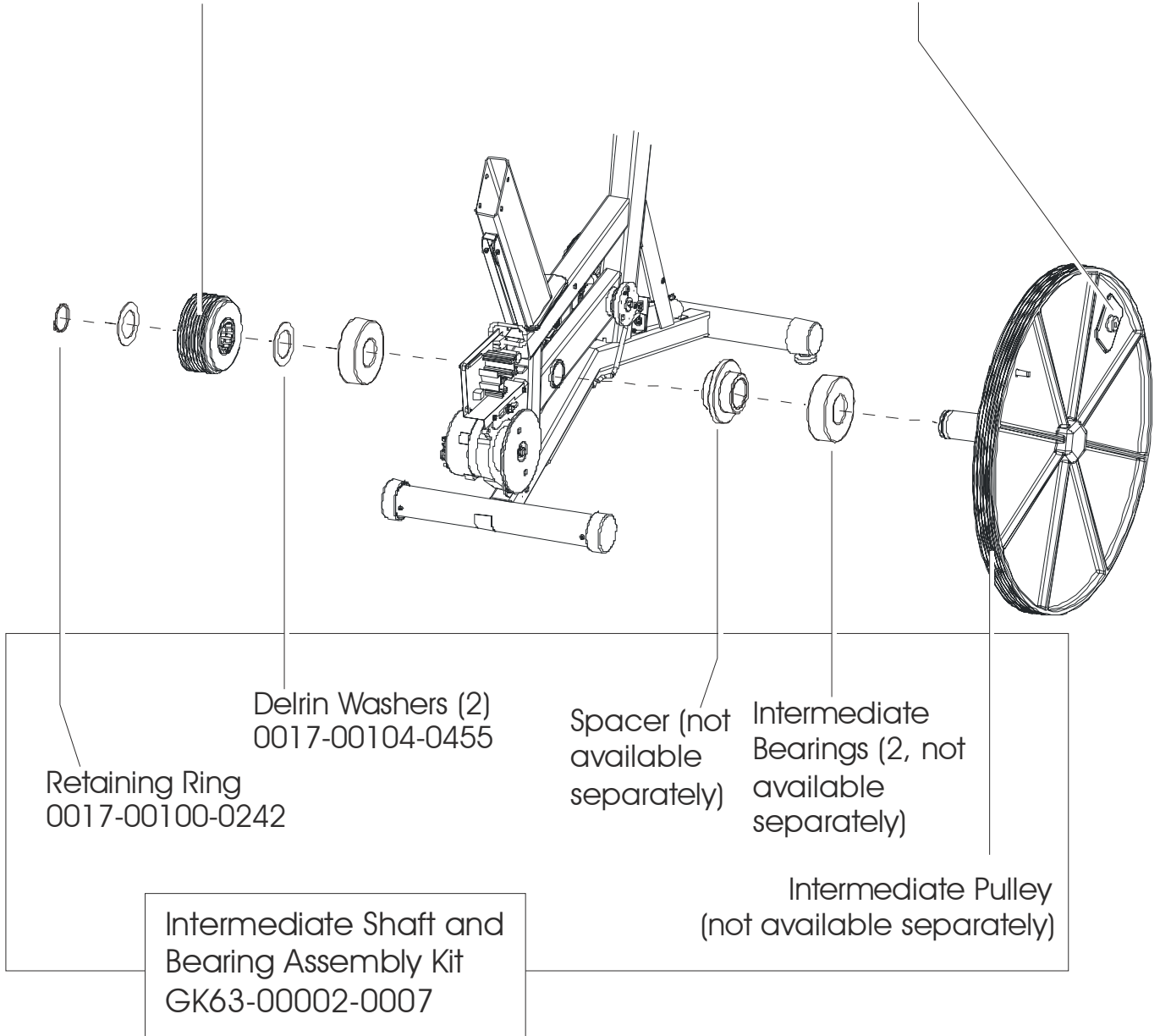
## Intermediate Shaft & Bearing Assembly

90CW-0XXX-01

S/N CCI100000 and UP

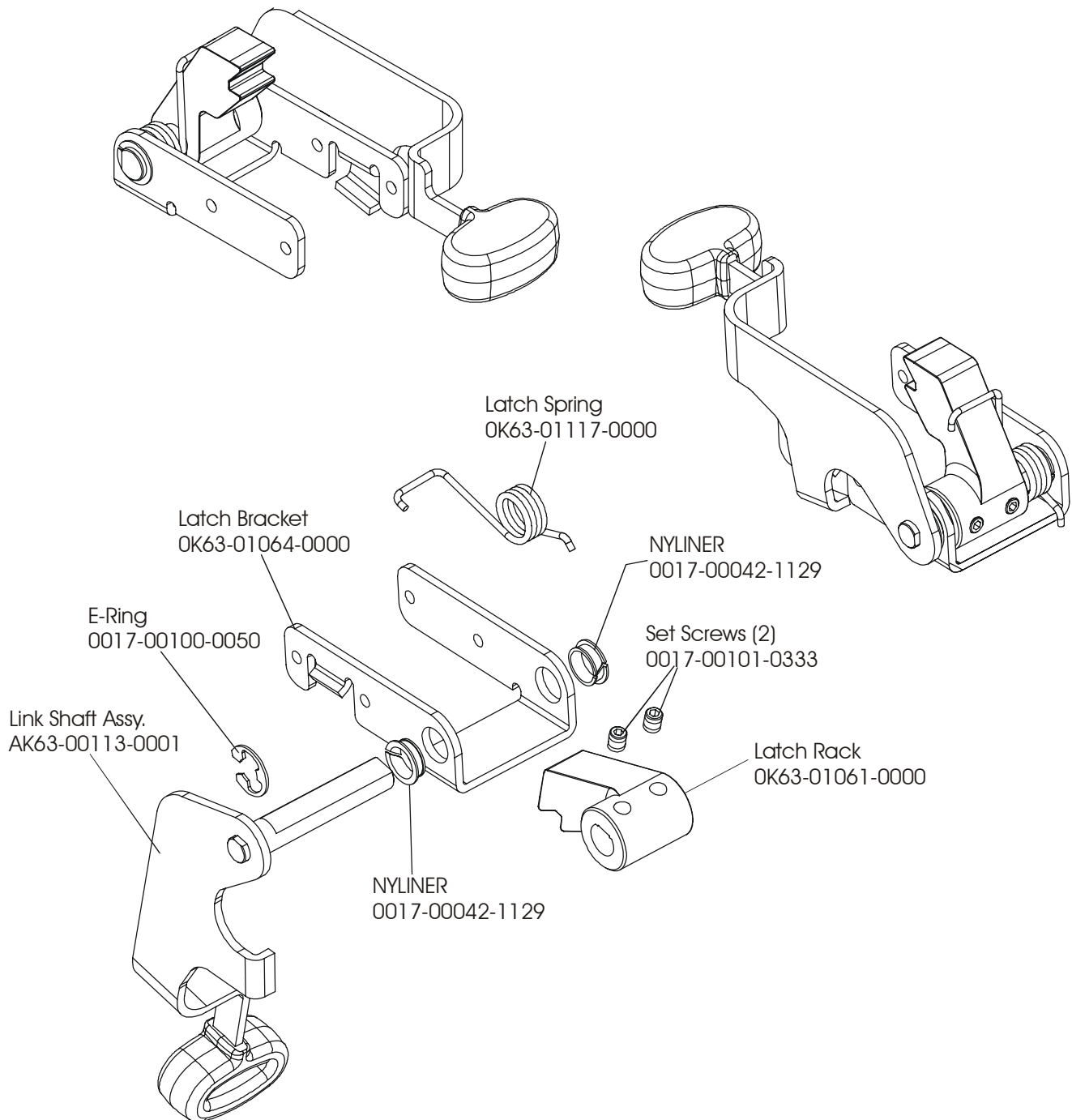
Clutch Assembly  
AK63-00026-0000  
(not included in kit)

Magnet  
118E-00001-0124  
(not included in kit)



**ARCTIC SILVER 90CW**  
**Seat Latch Assembly - AK63-00043-0001**

**90CW-0XXX-01**  
**S/N CCI100000 and UP**

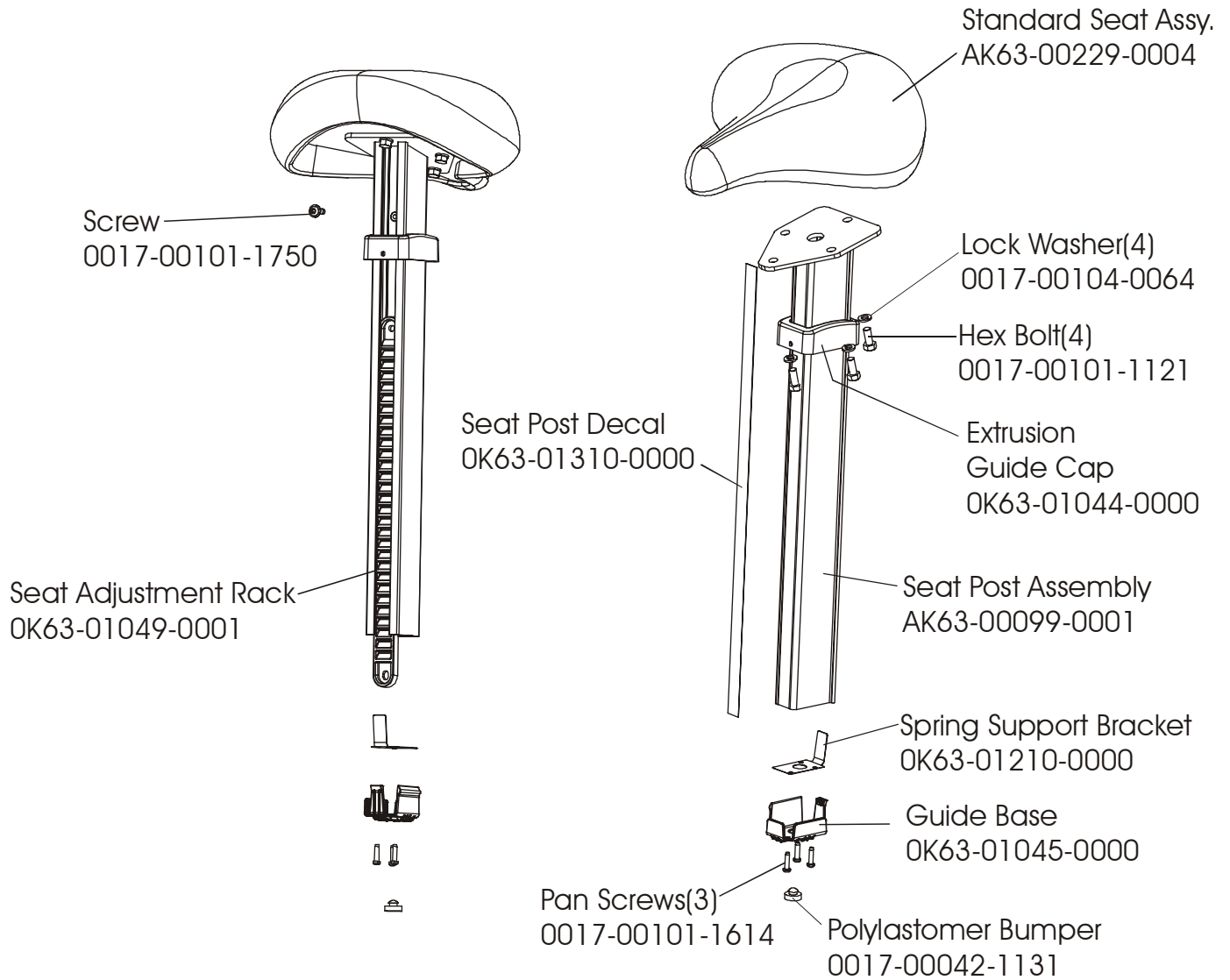


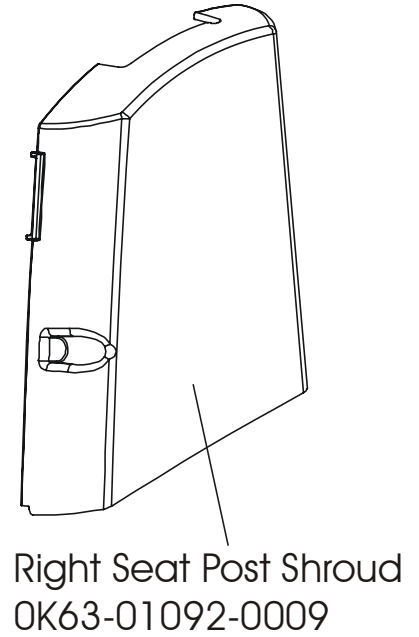
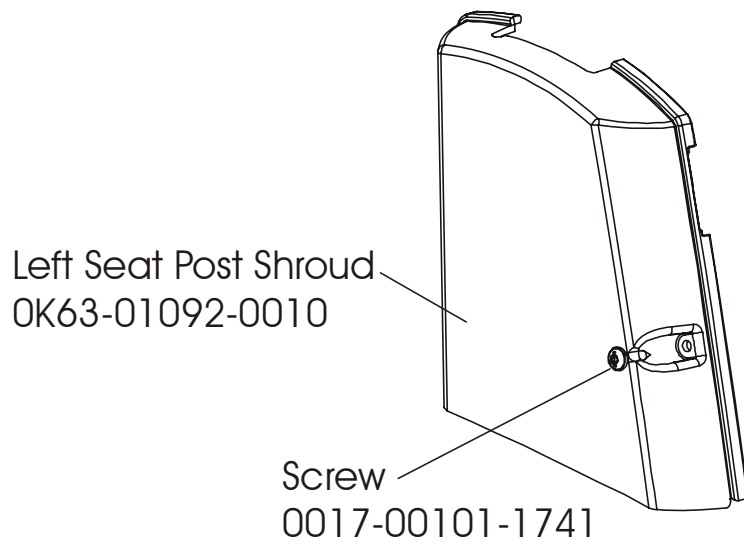
# ARCTIC SILVER 90CW

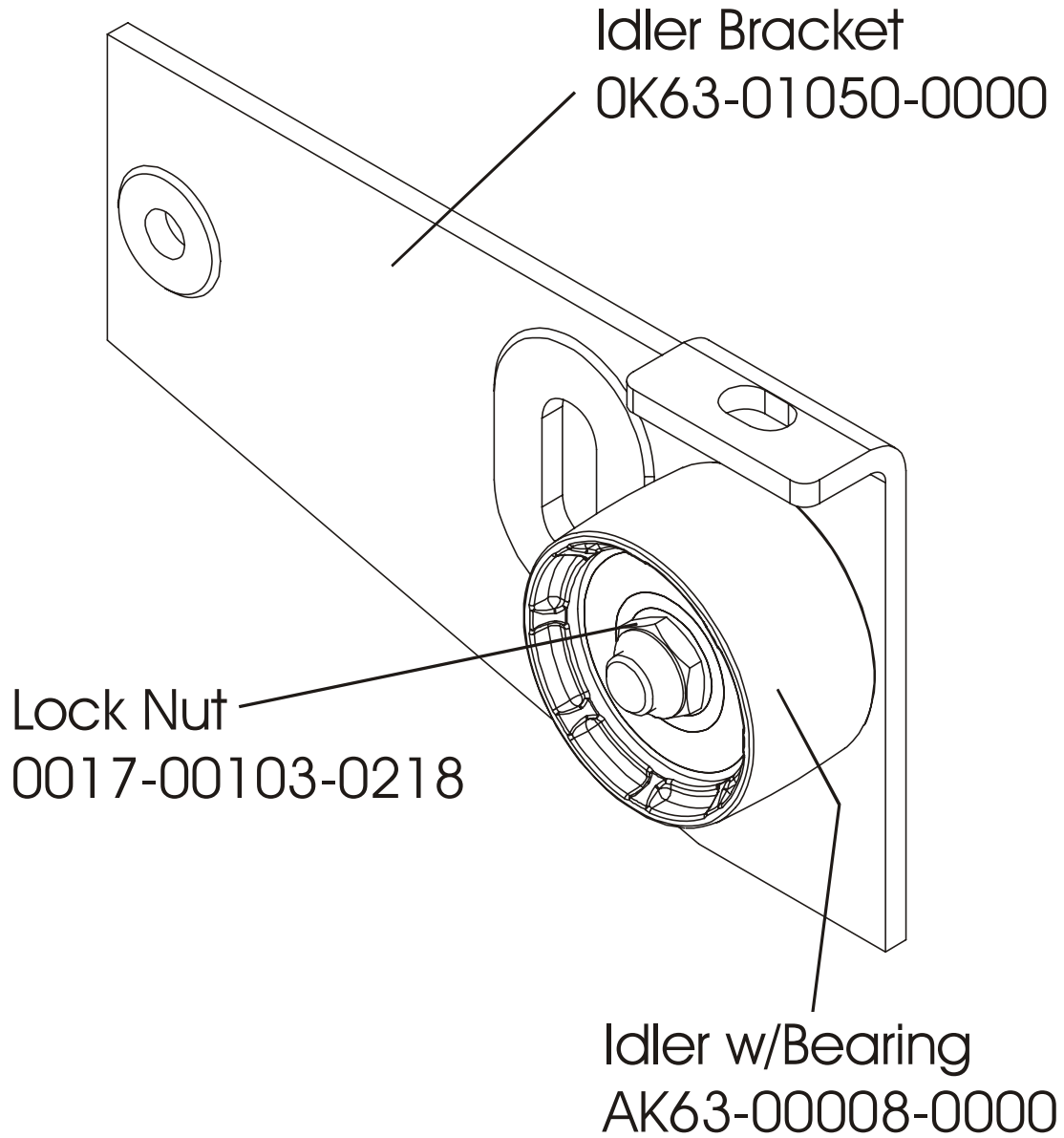
## Seat Post Assembly. – AK63-00232-0003

90CW-0XXX-01

S/N CCI100000 and UP

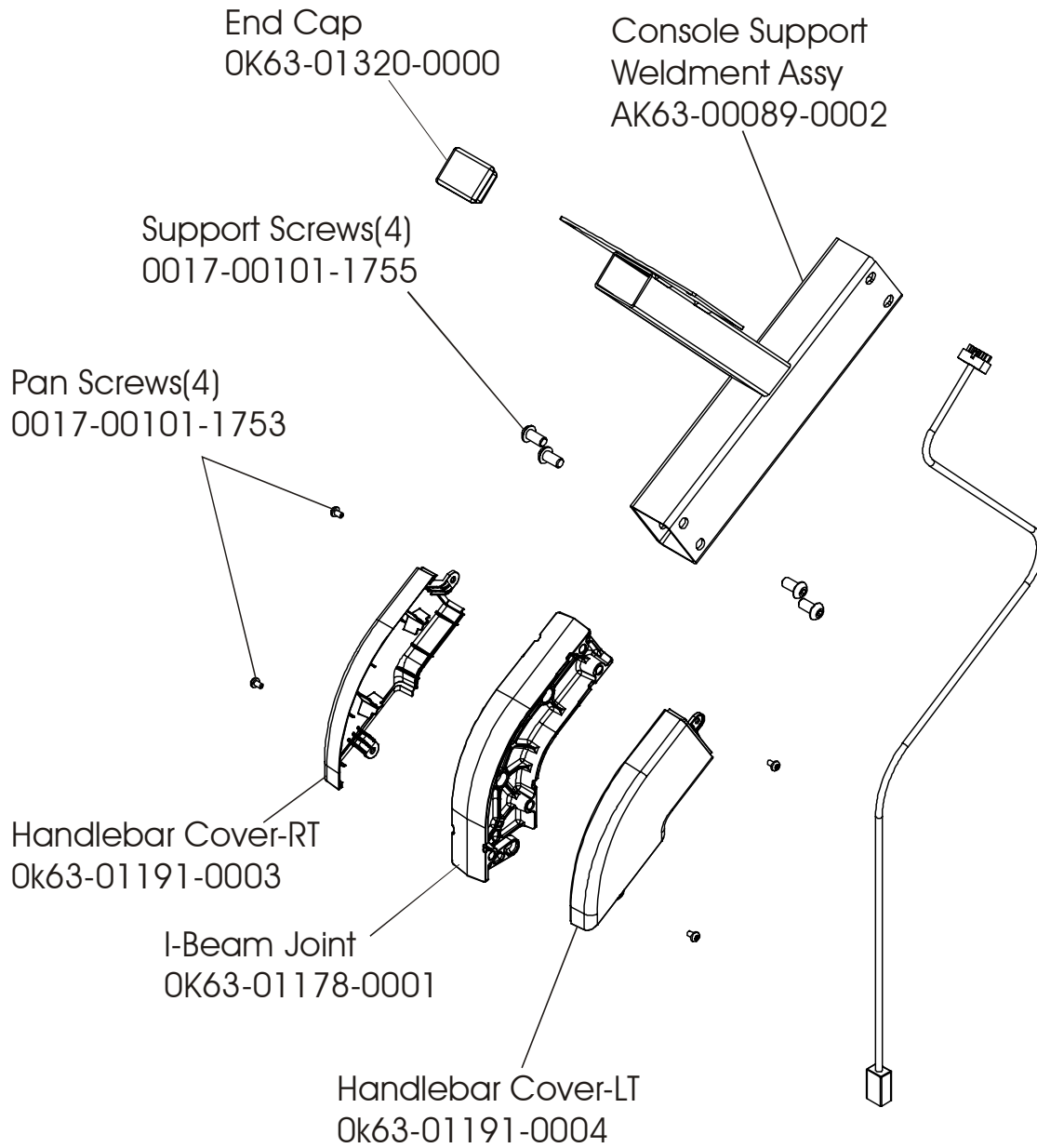






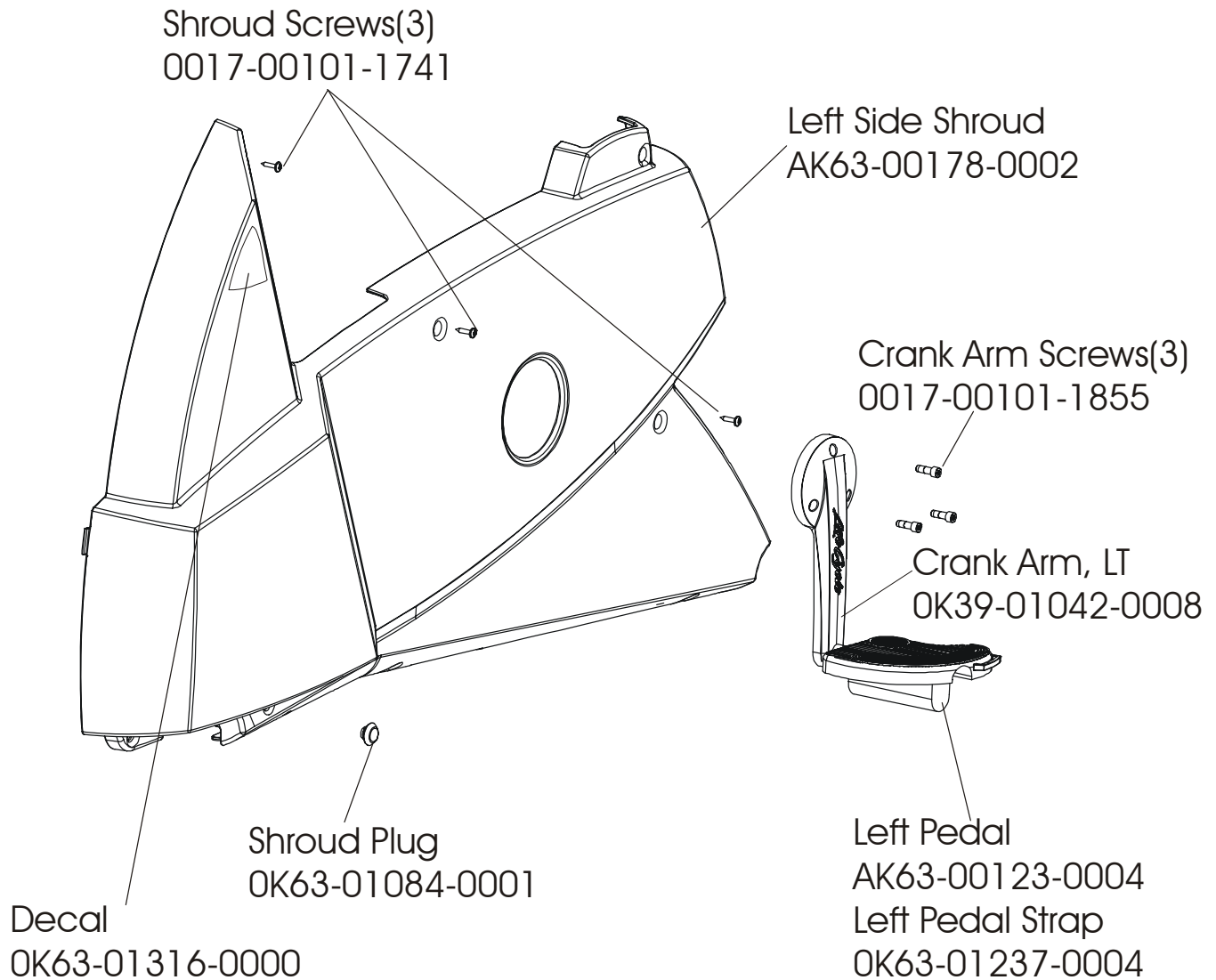
**ARCTIC SILVER 90CW**  
**Console Support Assembly**

**90CW-0XXX-01**  
**S/N CCI100000 and UP**



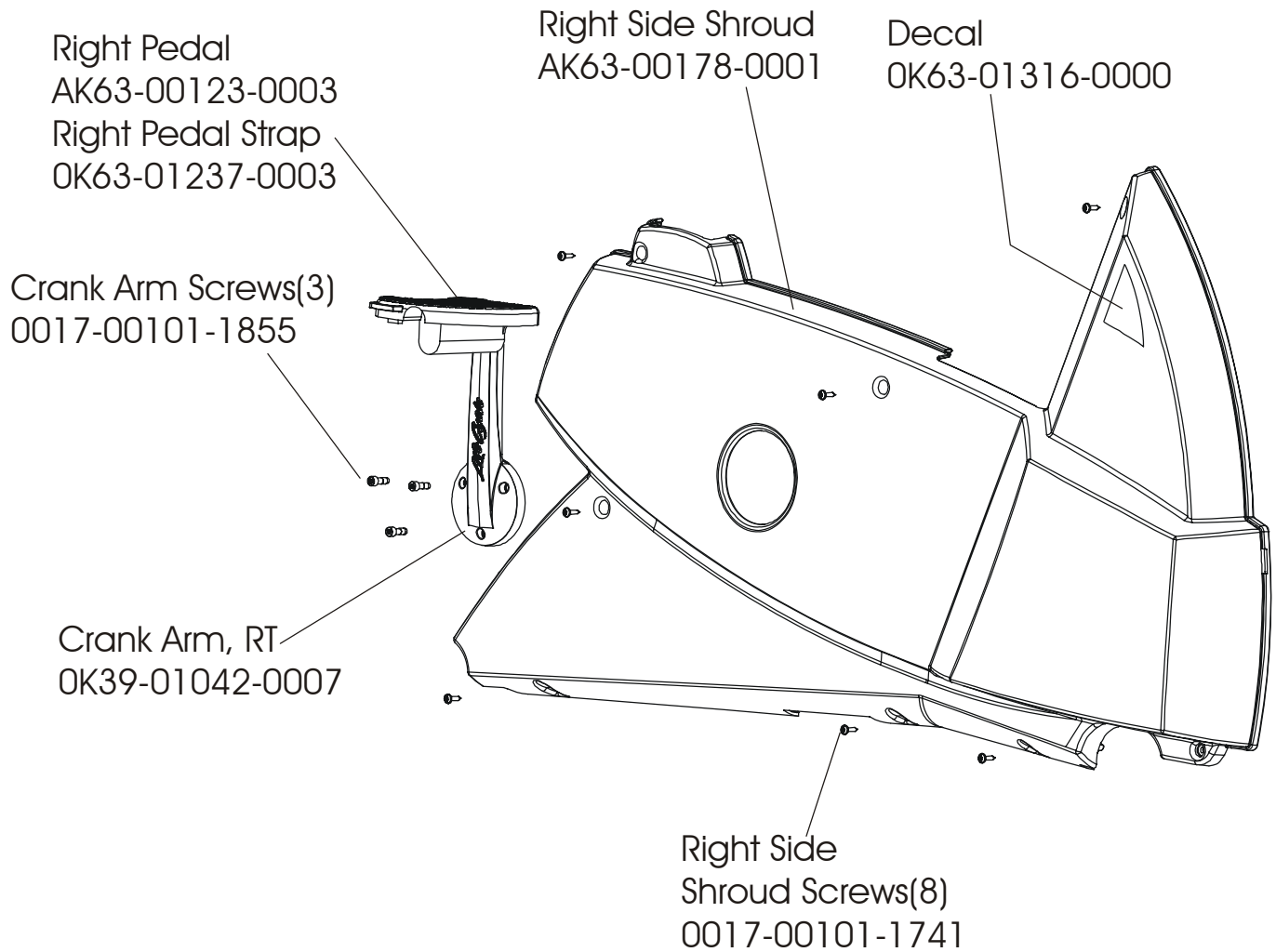
**ARCTIC SILVER 90CW**  
**Left Side Shroud and Crankarm**

**90CW-0XXX-01**  
**S/N CCI100000 and UP**



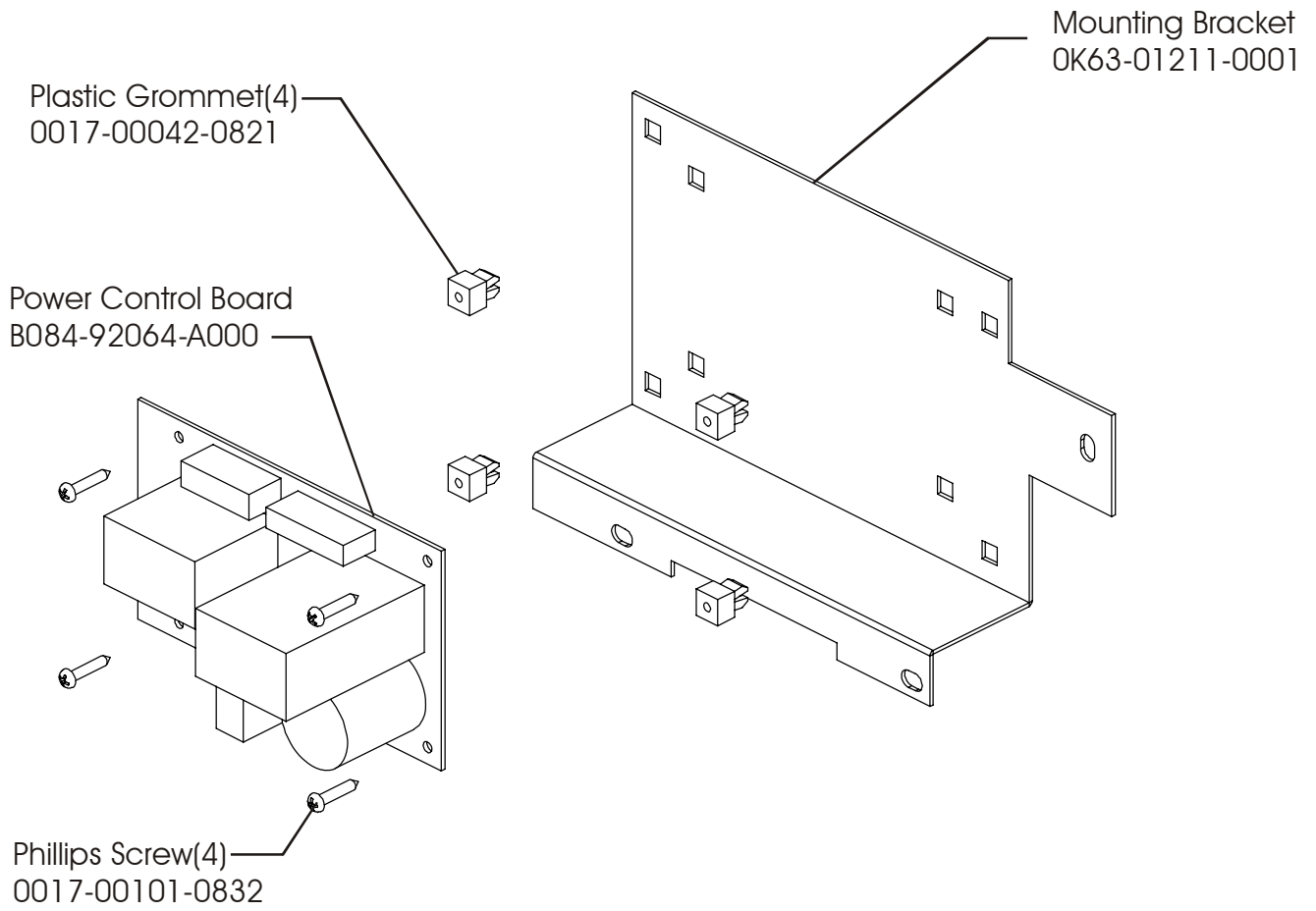
**ARCTIC SILVER 90CW**  
**Right Side Shroud and Crankarm**

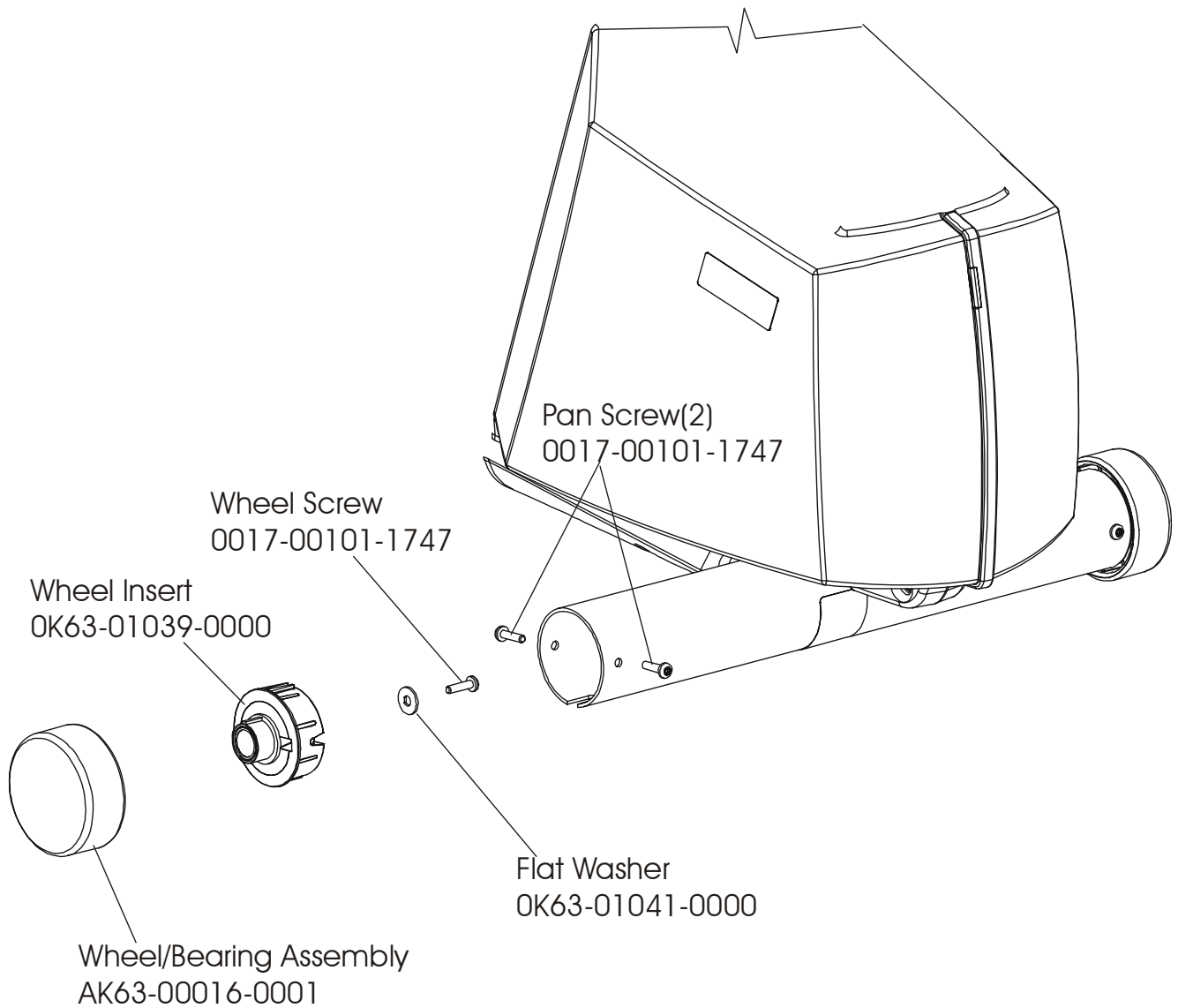
**90CW-0XXX-01**  
**S/N CCI100000 and UP**



**ARCTIC SILVER 90CW**  
**PCB Mounting Bracket Assembly**

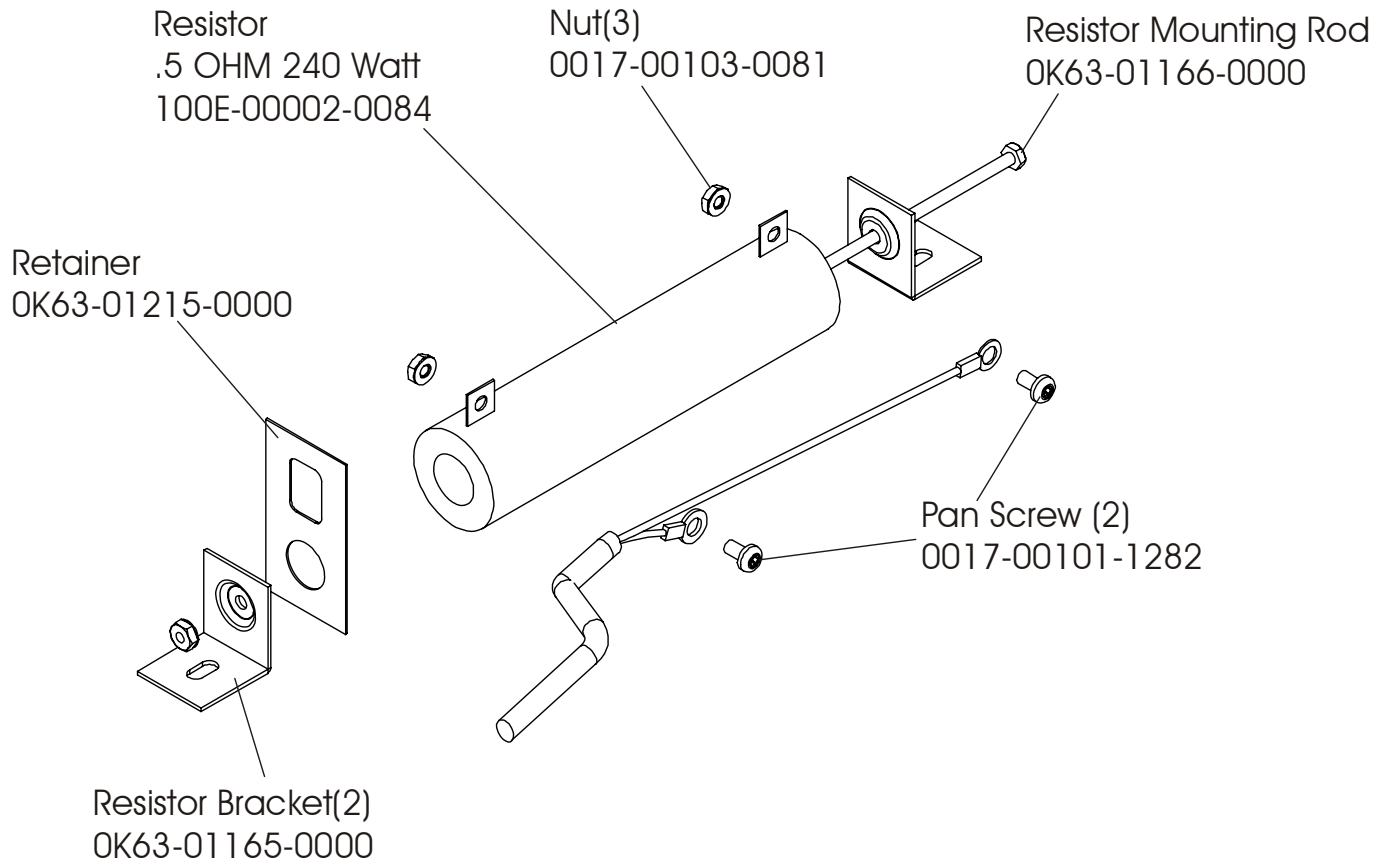
**90CW-0XXX-01**  
**S/N CCI100000 and UP**





**ARCTIC SILVER 90CW**  
**Resistor Assembly – AK63-00114-0000**

**90CW-0XXX-01**  
**S/N CCI100000 and UP**

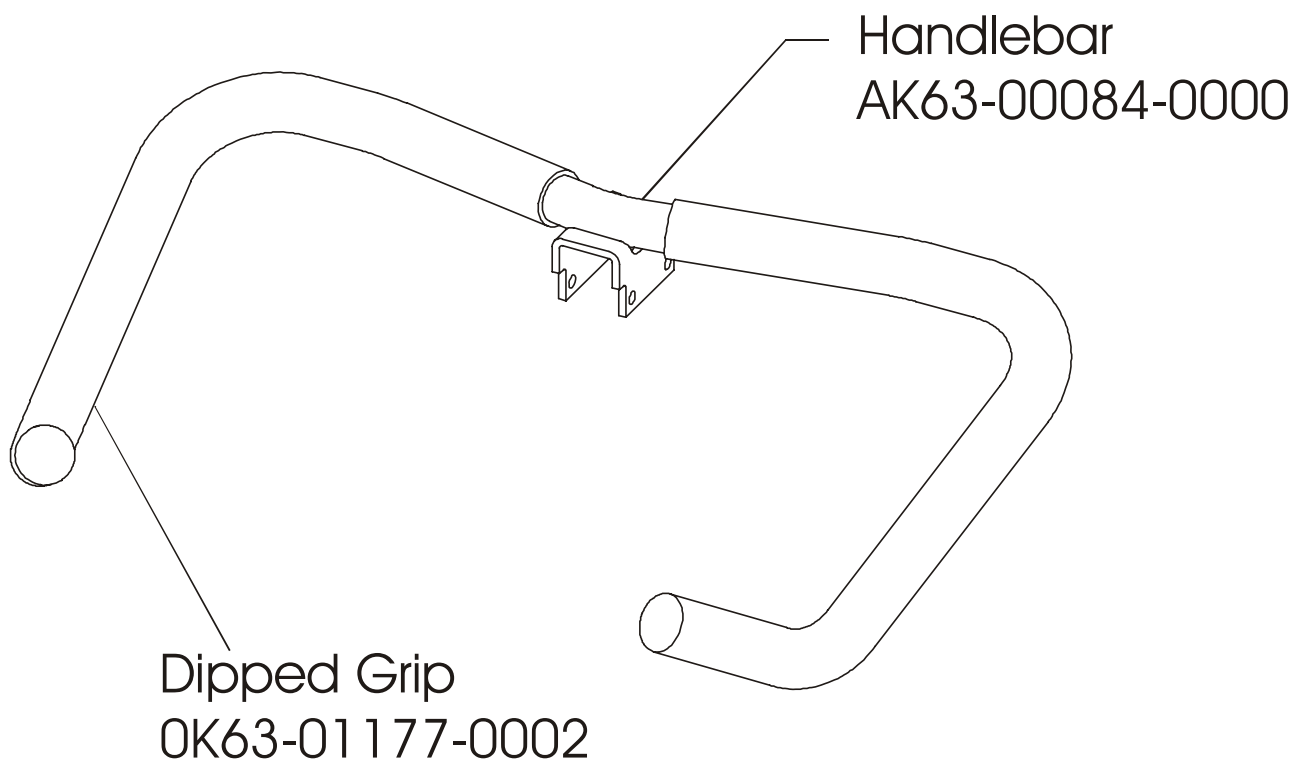


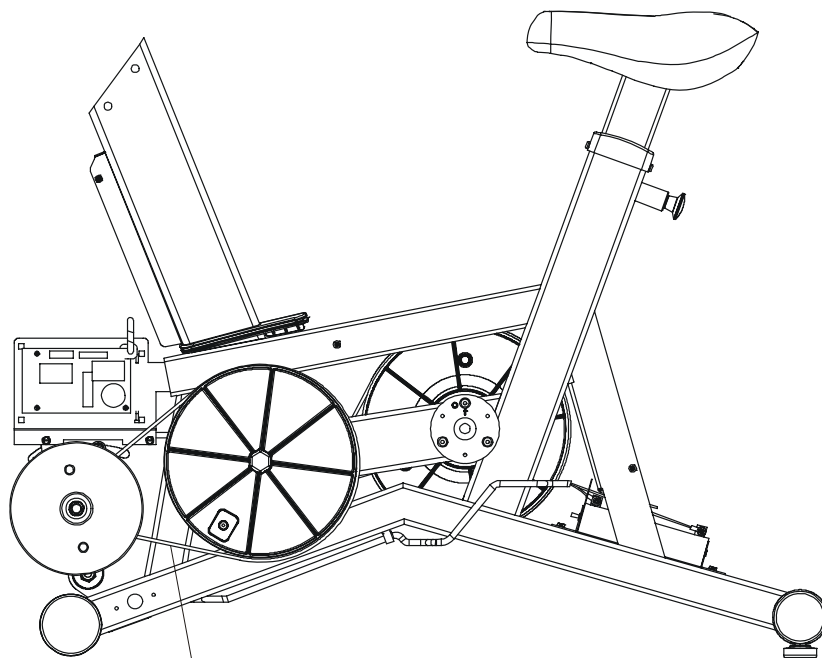
**ARCTIC SILVER 90CW**

**Handlebar Assembly – AK63-00101-0001**

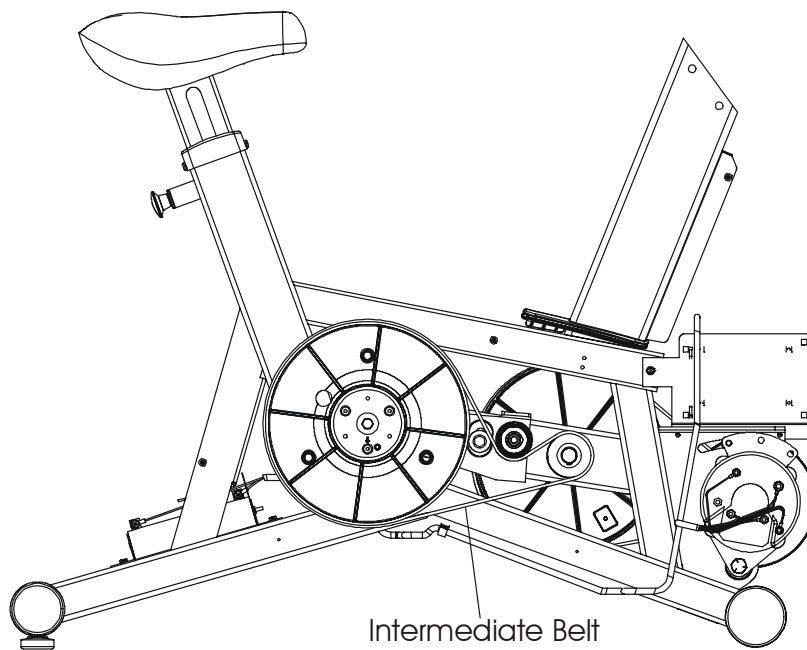
**90CW-0XXX-01**

**S/N CCI100000 and UP**





Alternator Belt  
OK63-01065-0000



Intermediate Belt  
OK63-01066-0001

# ARCTIC SILVER 90CW Cables

90CW-0XXX-01  
S/N CCI100000 and UP

