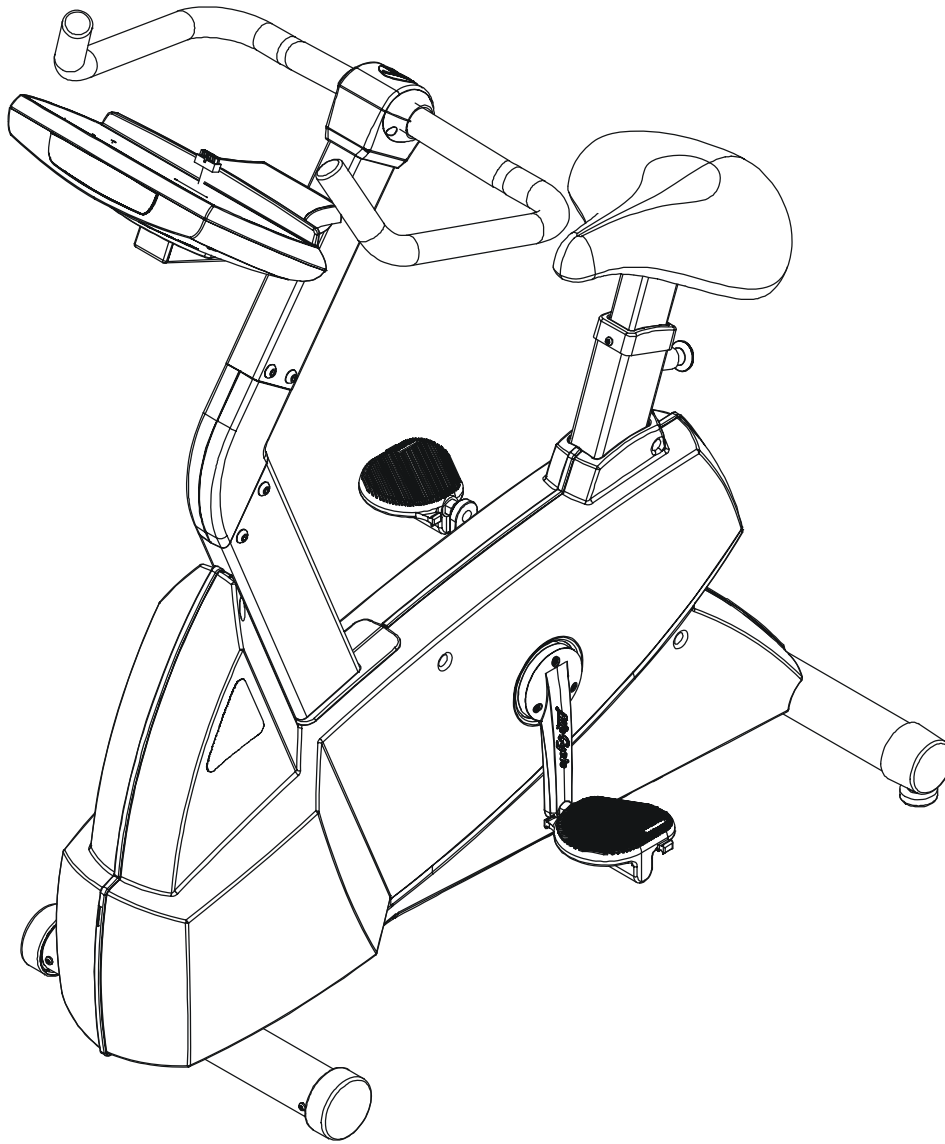


LifeFitness

ARCTIC SILVER 90CW Upright Bike



Customer Support Services
PARTS MANUAL revised 29 Apr 2008

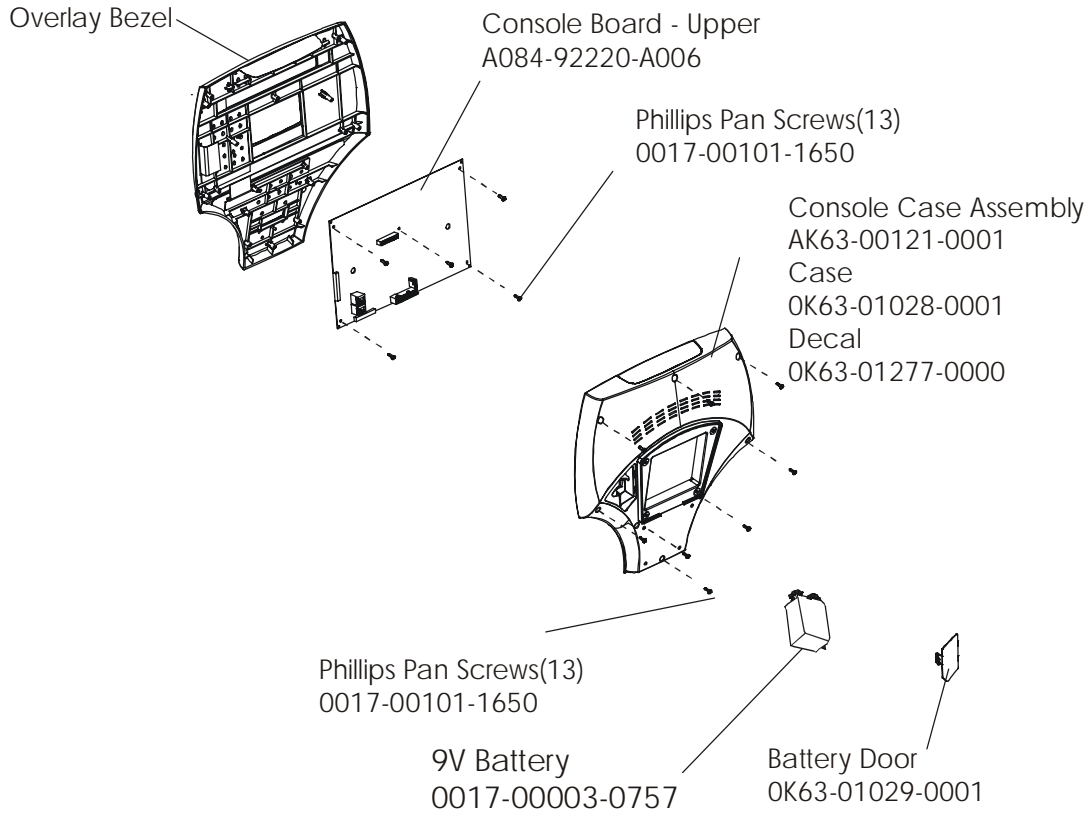
OPERATION MANUAL	M051-00K63-A068
ACCESSORY TRAY	GK63-00002-0004
HARDWARE BAG	GK63-00002-0044
POLAR UPGRADE KIT	GK63-00002-0002
TOUCH UP PAINT: SPRAY CAN .5 OZ BOTTLE .33 OZ PEN	0017-00008-0204 0017-00008-0205 0017-00008-0206
COAX CABLE	AK32-00020-0002
ER READY BRACKET ASSEMBLY ASSEMBLY CONSISTS OF: 1) POWER CABLE 2) ER READY BRACKET 3) F TYPE CONNECTOR	AK63-00215-0000 AK32-00078-0001 OK63-01329-0000 0017-00021-2846
SERVICE MANUAL	M051-00K63-A009

**NOTE: ADDING THE BOLT ON LCD SCREEN TO THE
90CW-0XXX-02 MAKES THE UNIT A 90CER-0XXX-02.**

	Page
CONSOLE COMPONENTS	4
CONSOLE MOUNTING SCREWS AND POLAR COVERS.....	5
ALTERNATOR W/PULLEY	6
CRANKSHAFT AND BEARING ASSEMBLY.....	7
INTERMEDIATE SHAFT AND BEARING ASSEMBLY.....	8
SEAT LATCH ASSEMBLY.....	9
SEAT POST ASSEMBLY	10
SEAT POST SHROUDS.....	11
IDLER BRACKET ASSEMBLY.....	12
CONSOLE SUPPORT ASSEMBLY.....	13
LEFT SIDE SHROUD AND CRANKARM.....	14
RIGHT SIDE SHROUD AND CRANKARM.....	15
PCB MOUNTING BRACKET ASSEMBLY.....	16
FRONT WHEELS.....	17
RESISTOR ASSEMBLY.....	18
HANDLEBAR ASSEMBLY.....	19
BELTS.....	20
CABLES.....	21

ARCTIC SILVER 90CW
Console Components

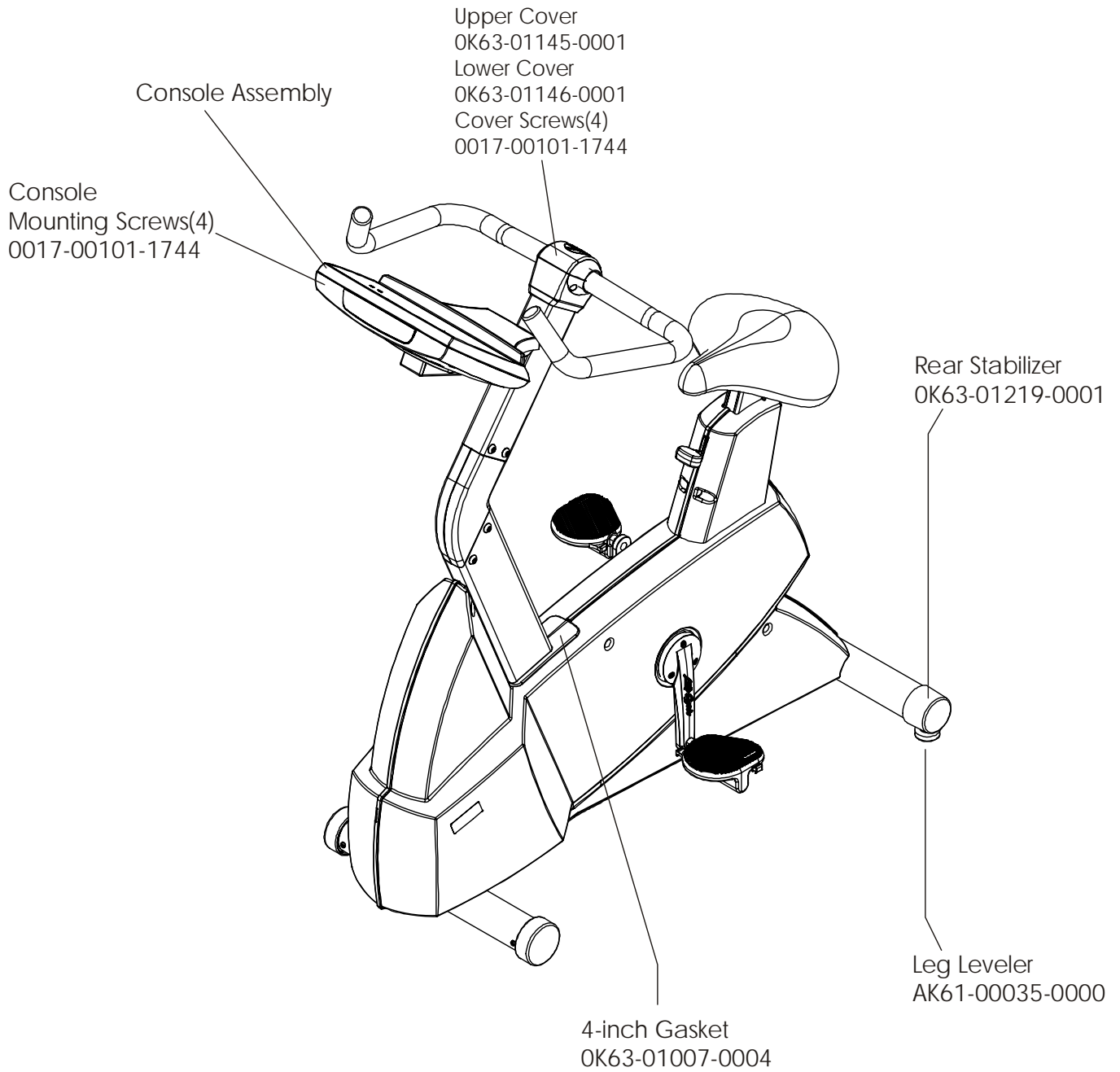
90CW-0XXX-02
S/N CCI100000 and UP



Console Assembly	Bezel W/Overlay Assy.
AK63-00162-0001 Eng Met	AK63-00167-0001 Eng Met
AK63-00162-0003 Ger Met	AK63-00167-0003 Ger Met
AK63-00162-0004 Spn Met	AK63-00167-0004 Spn Met
AK63-00162-0006 Jap Met	AK63-00167-0006 Jap Met
AK63-00162-0007 Frn Met	AK63-00167-0007 Frn Met
AK63-00162-0008 Itl Met	AK63-00167-0008 Itl Met
AK63-00162-0009 Dut Met	AK63-00167-0009 Dut Met
AK63-00162-0010 Por Met	AK63-00167-0010 Por Met

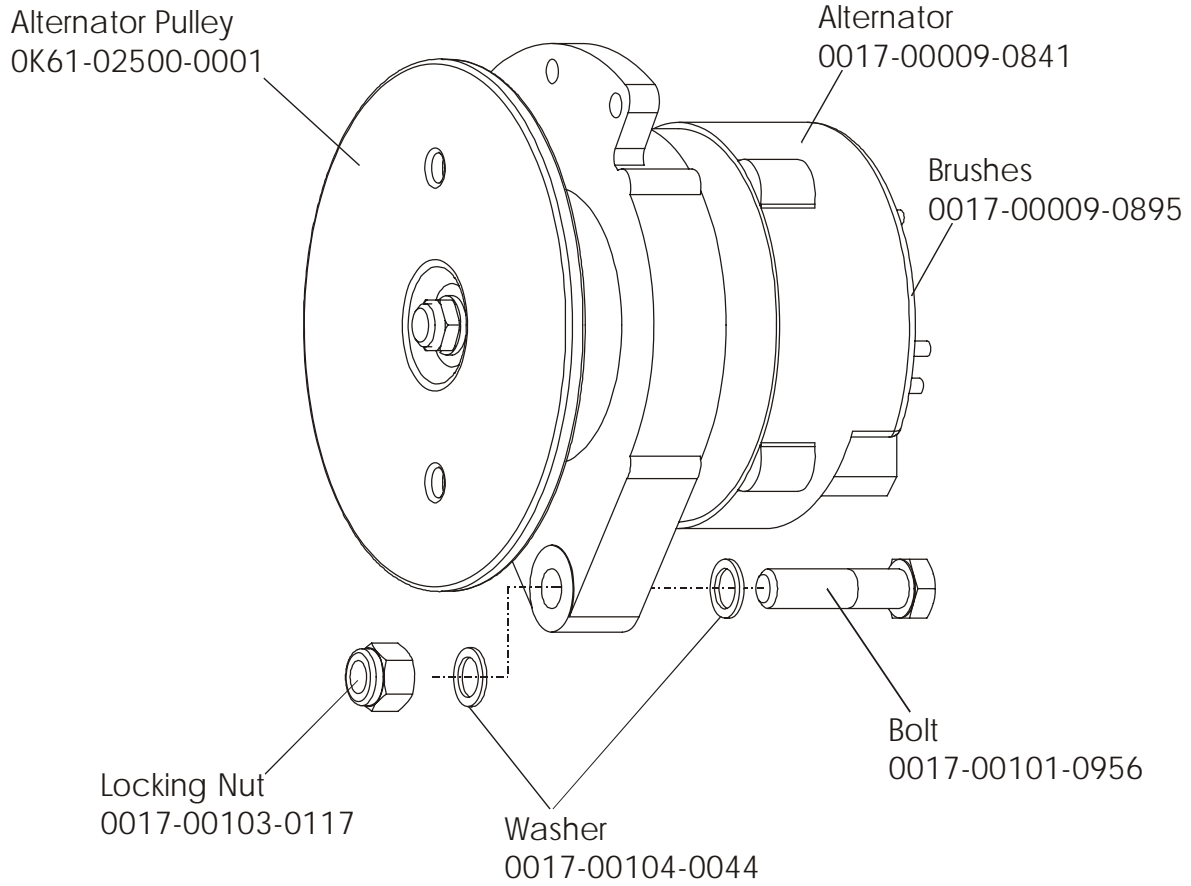
ARCTIC SILVER 90CW
Console Screws & Polar Covers

90CW-0XXX-02
S/N CCI100000 and UP



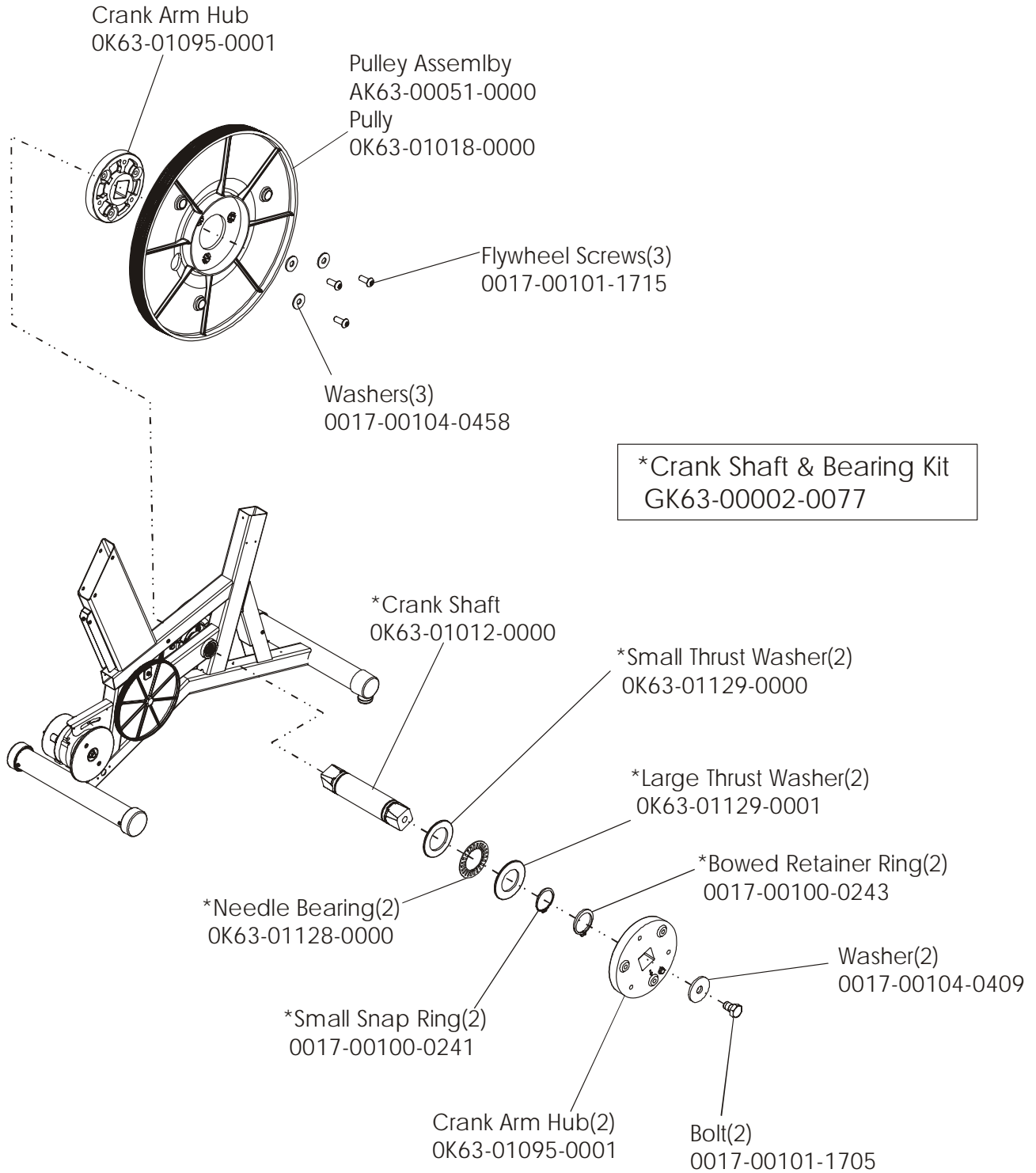
ARCTIC SILVER 90CW
Alternator w/Pulley - AK63-00093-0000

90CW-0XXX-02
S/N CCI100000 and UP



ARCTIC SILVER 90CW
Crankshaft and Bearing Assembly

90CW-0XXX-02
S/N CCI100000 and UP



ARCTIC SILVER 90CW

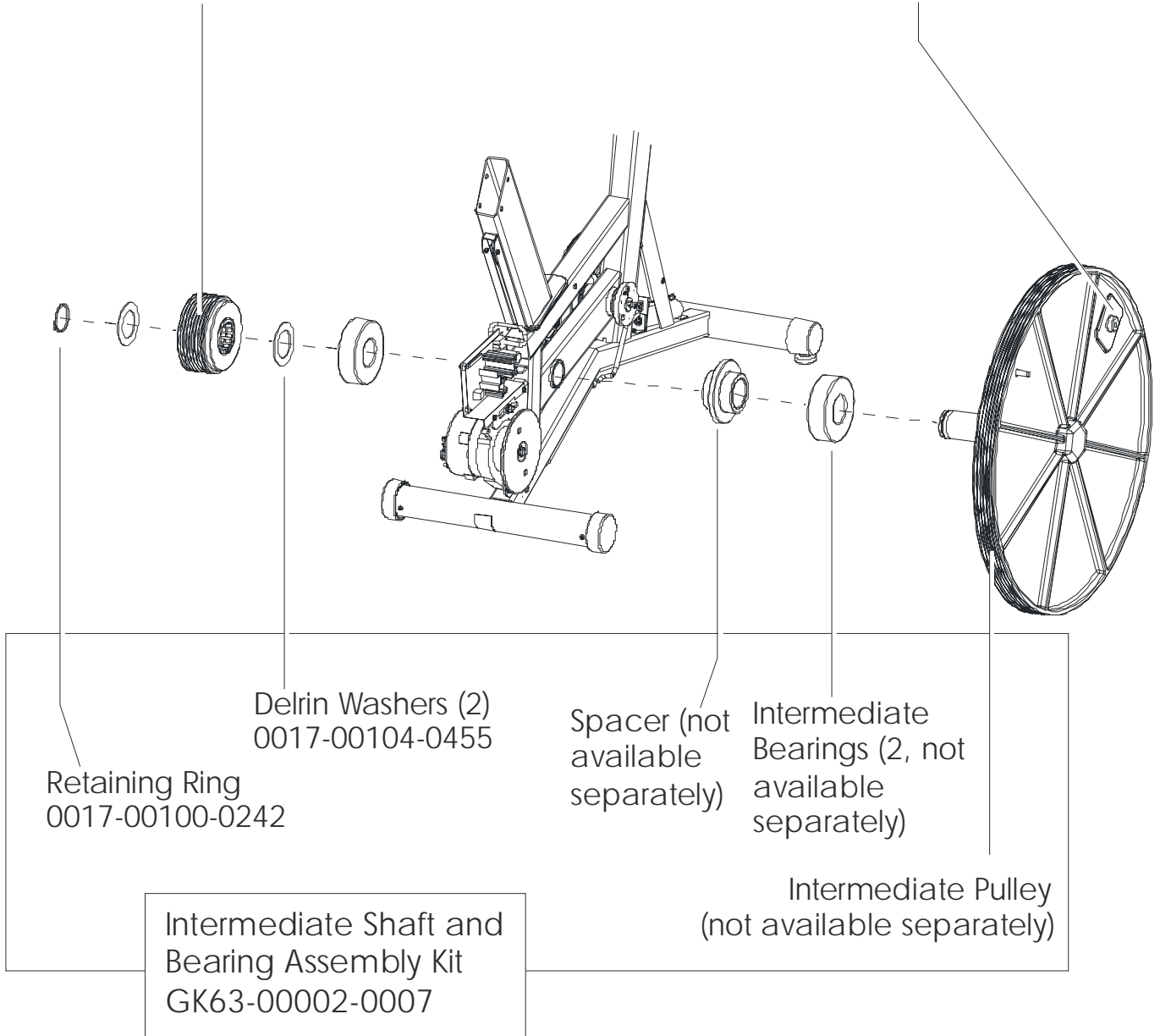
Intermediate Shaft & Bearing Assembly

90CW-0XXX-02

S/N CCI100000 and UP

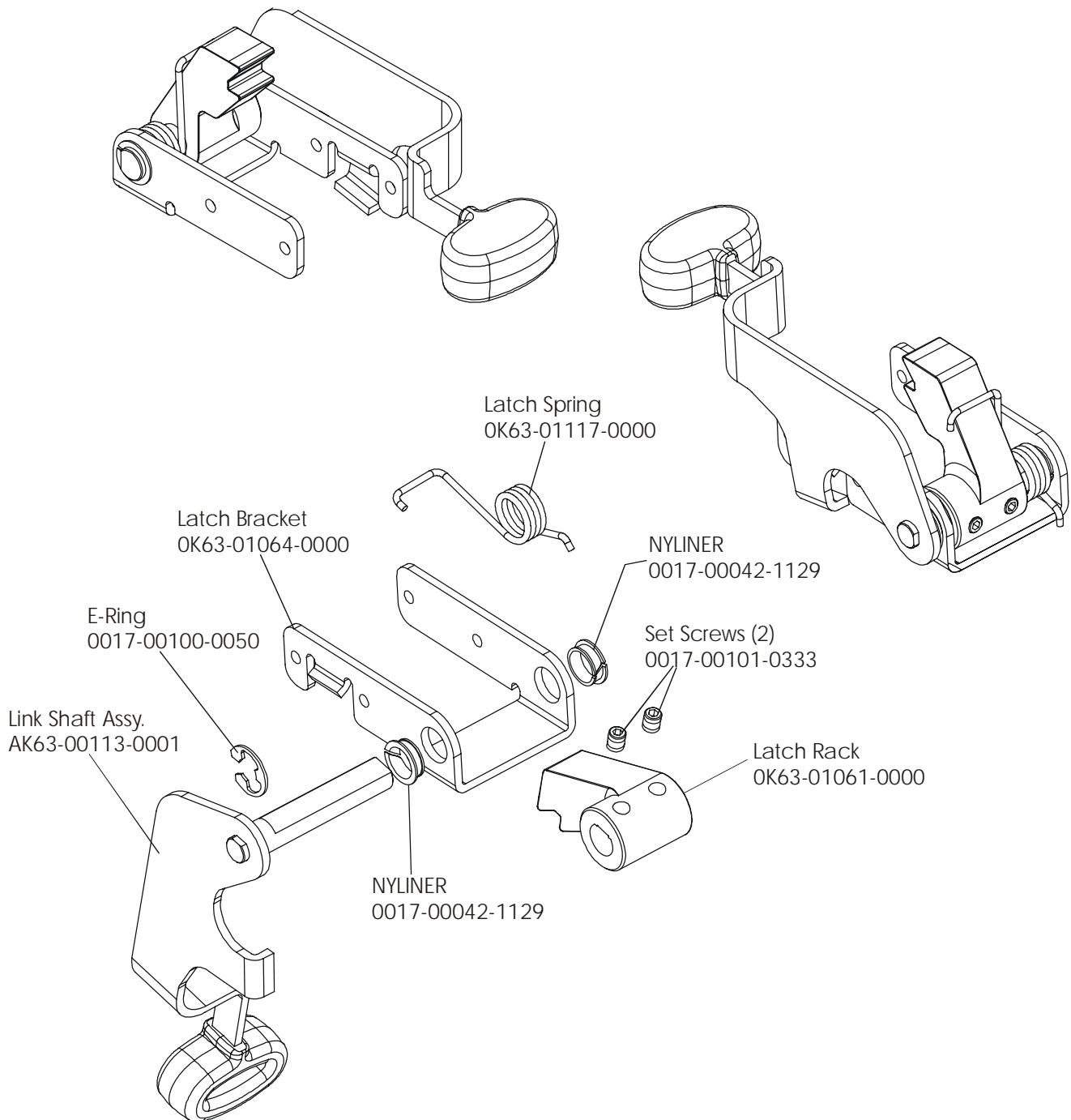
Clutch Assembly
AK63-00026-0000
(not included in kit)

Magnet
118E-00001-0124
(not included in kit)



ARCTIC SILVER 90CW
Seat Latch Assembly - AK63-00043-0001

90CW-0XXX-02
S/N CCI100000 and UP

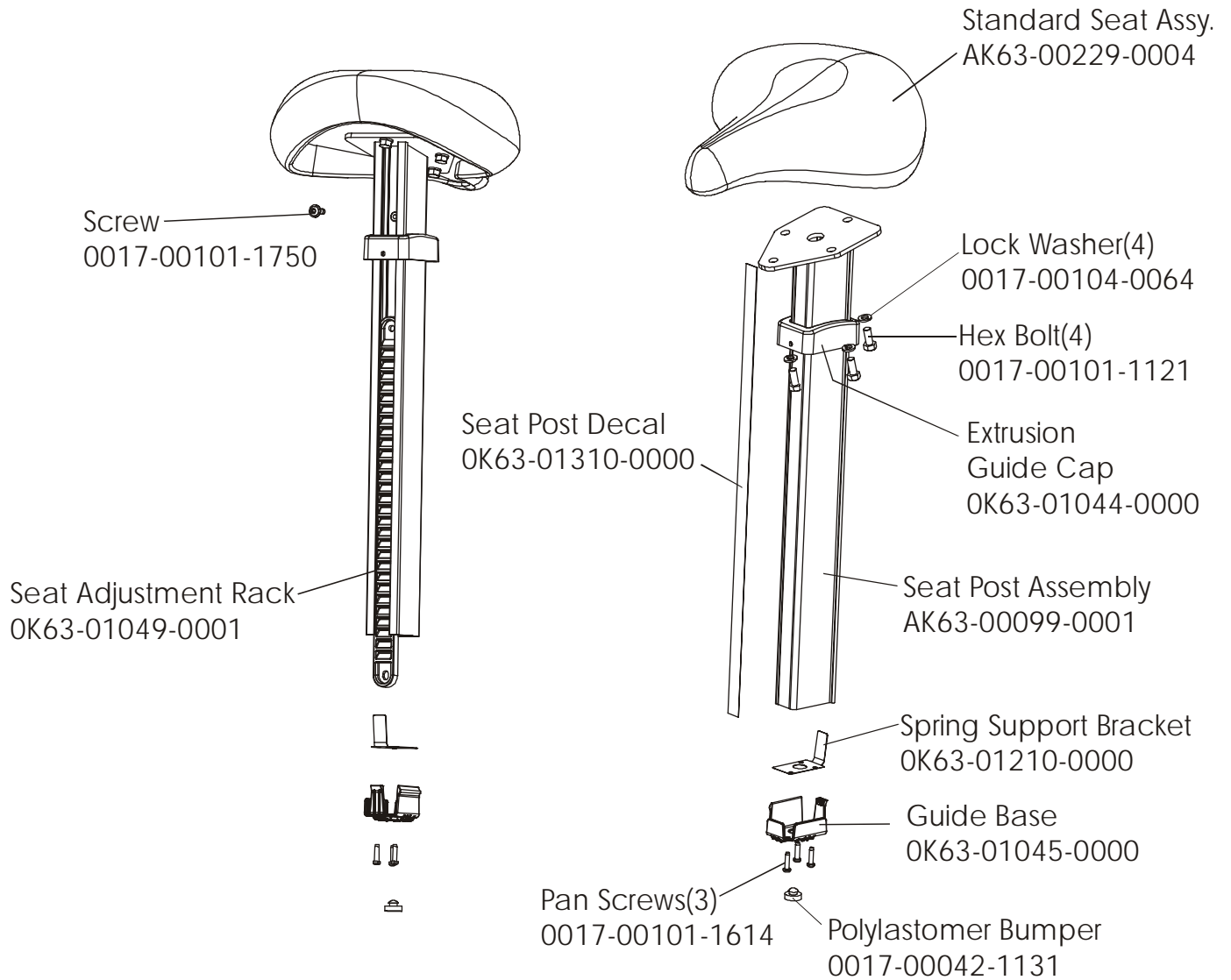


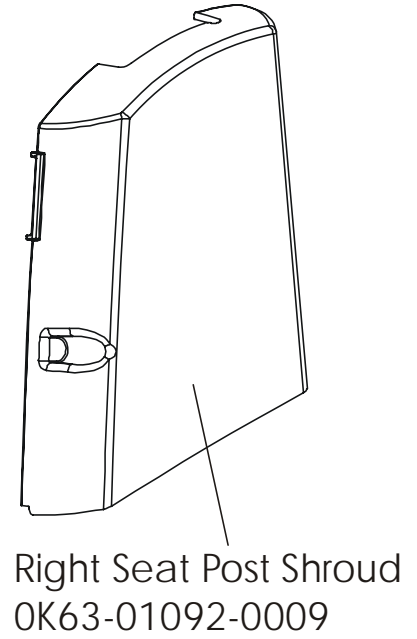
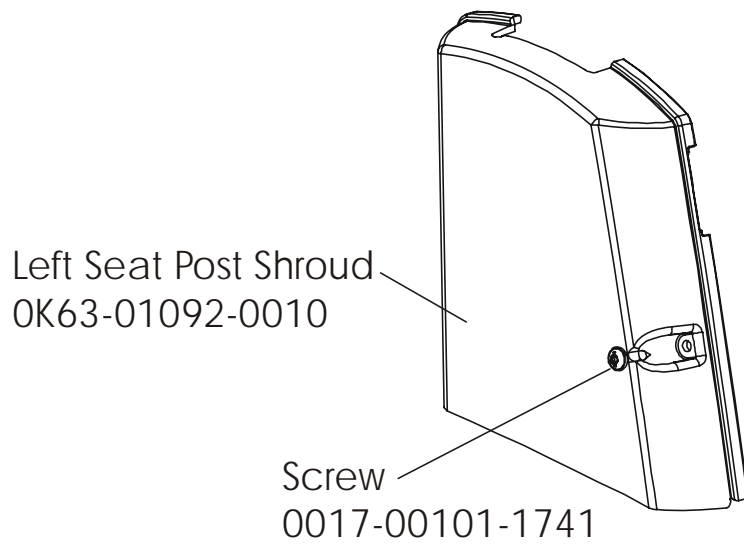
ARCTIC SILVER 90CW

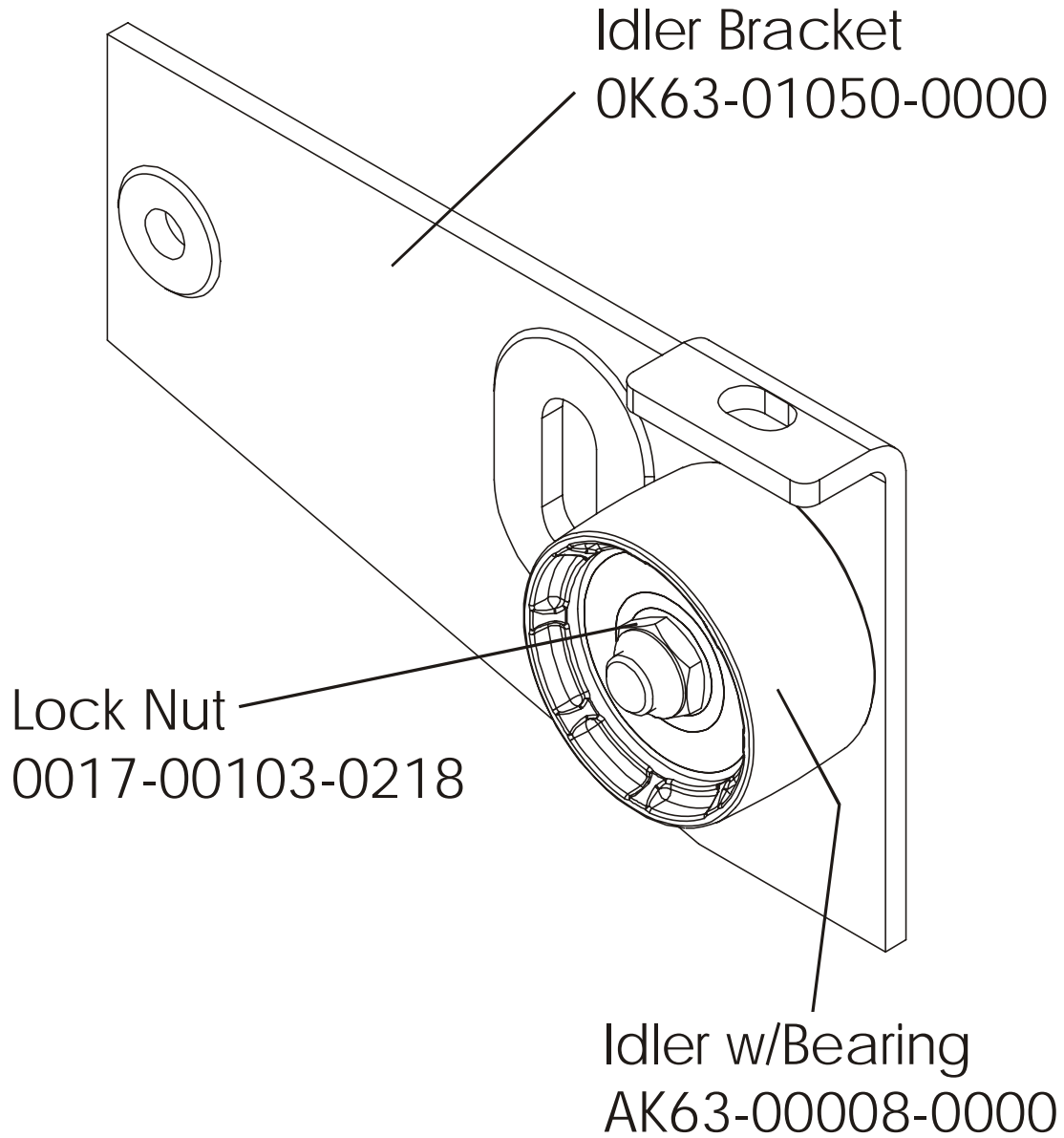
Seat Post Assembly. – AK63-00232-0003

90CW-0XXX-02

S/N CCI100000 and UP

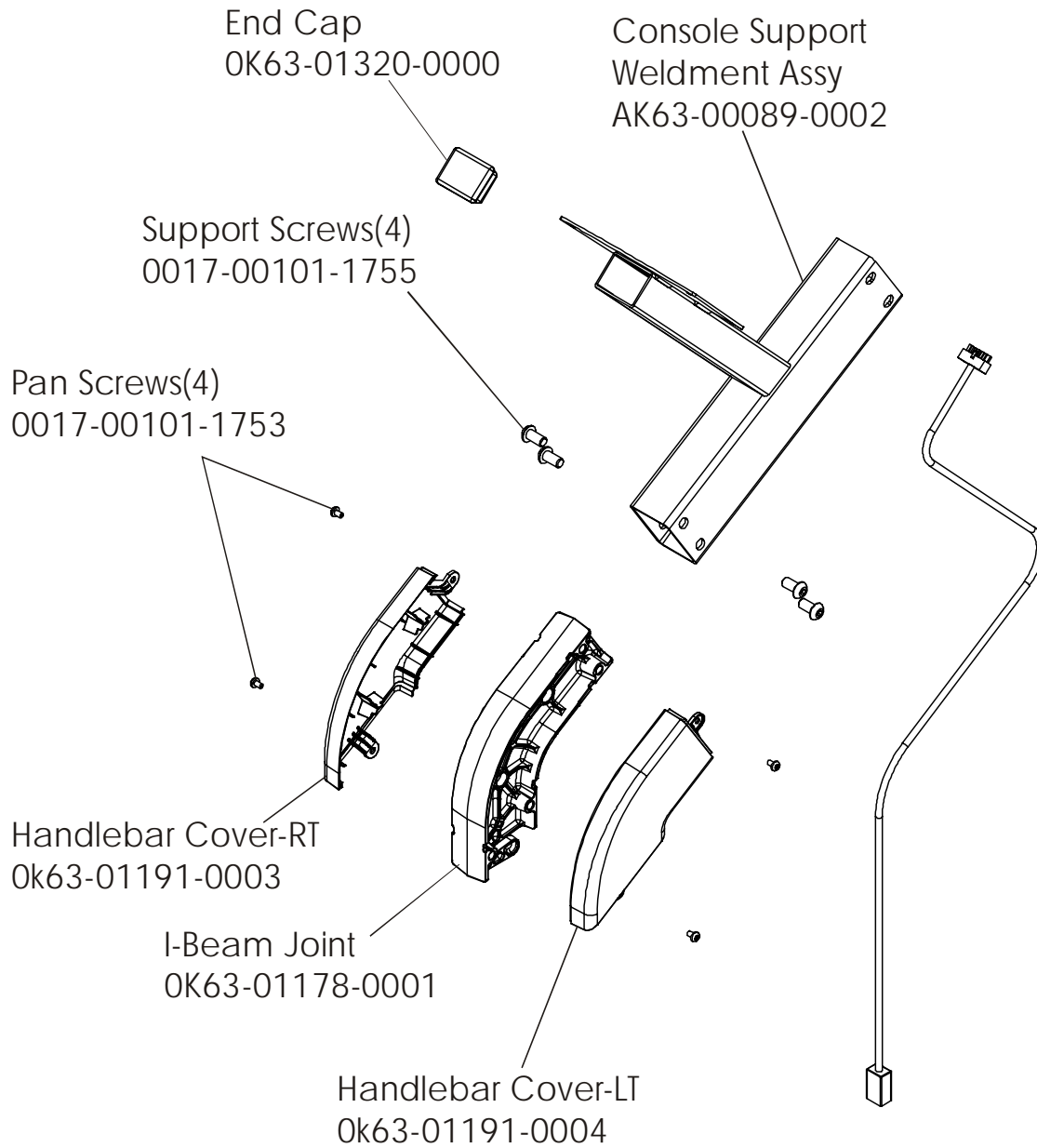






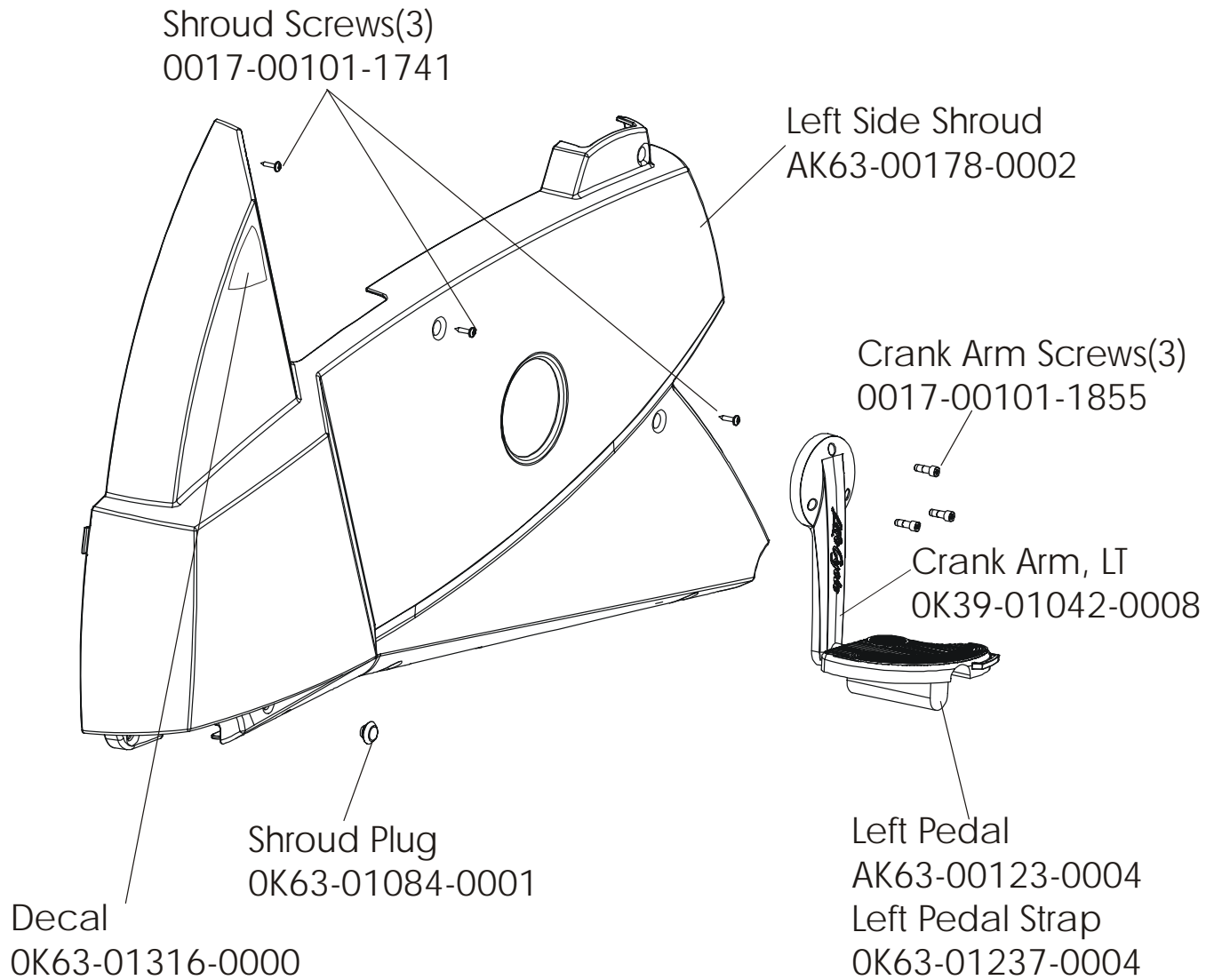
ARCTIC SILVER 90CW
Console Support Assembly

90CW-0XXX-02
S/N CCI100000 and UP



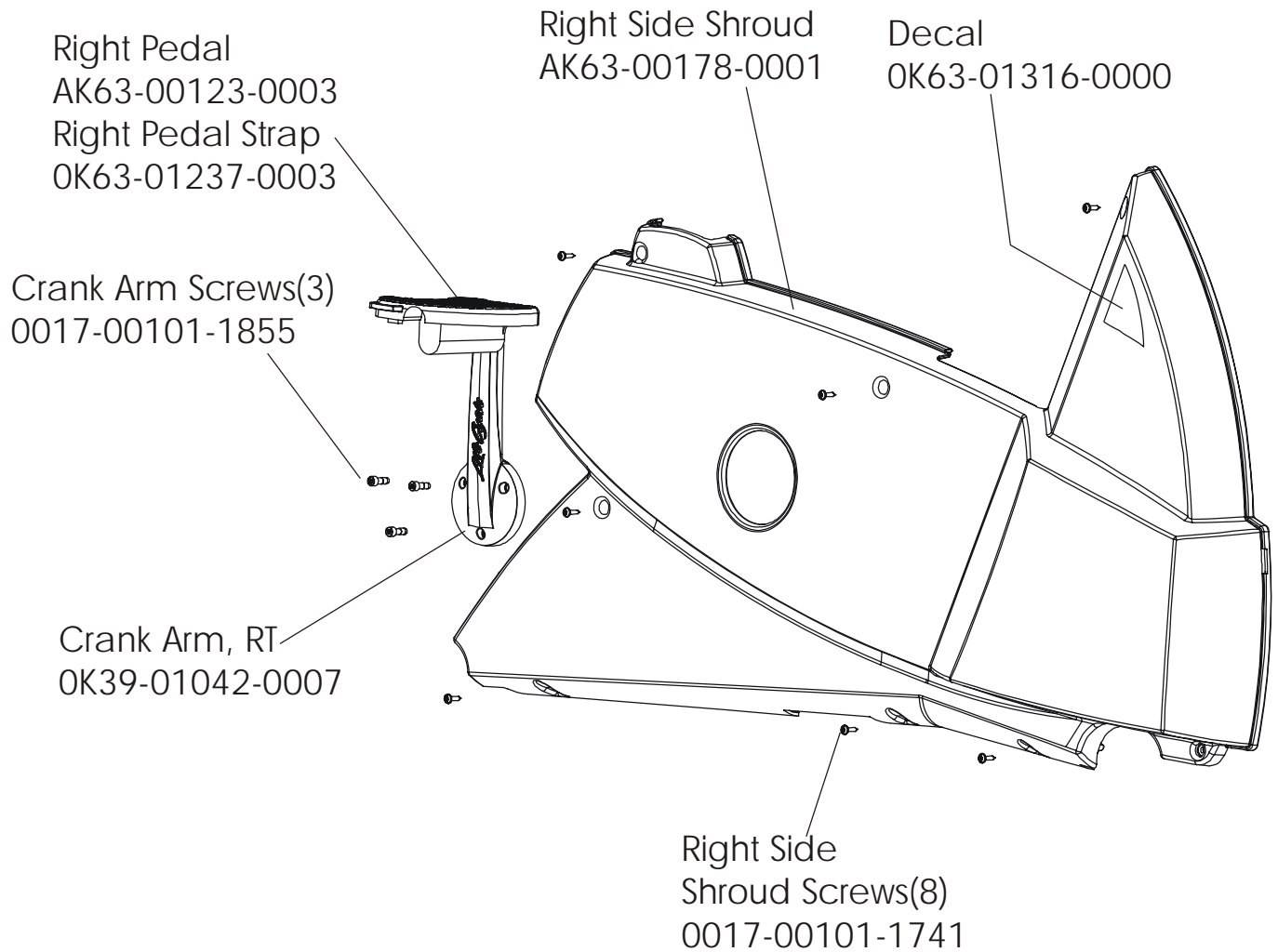
ARCTIC SILVER 90CW
Left Side Shroud and Crankarm

90CW-0XXX-02
S/N CCI100000 and UP



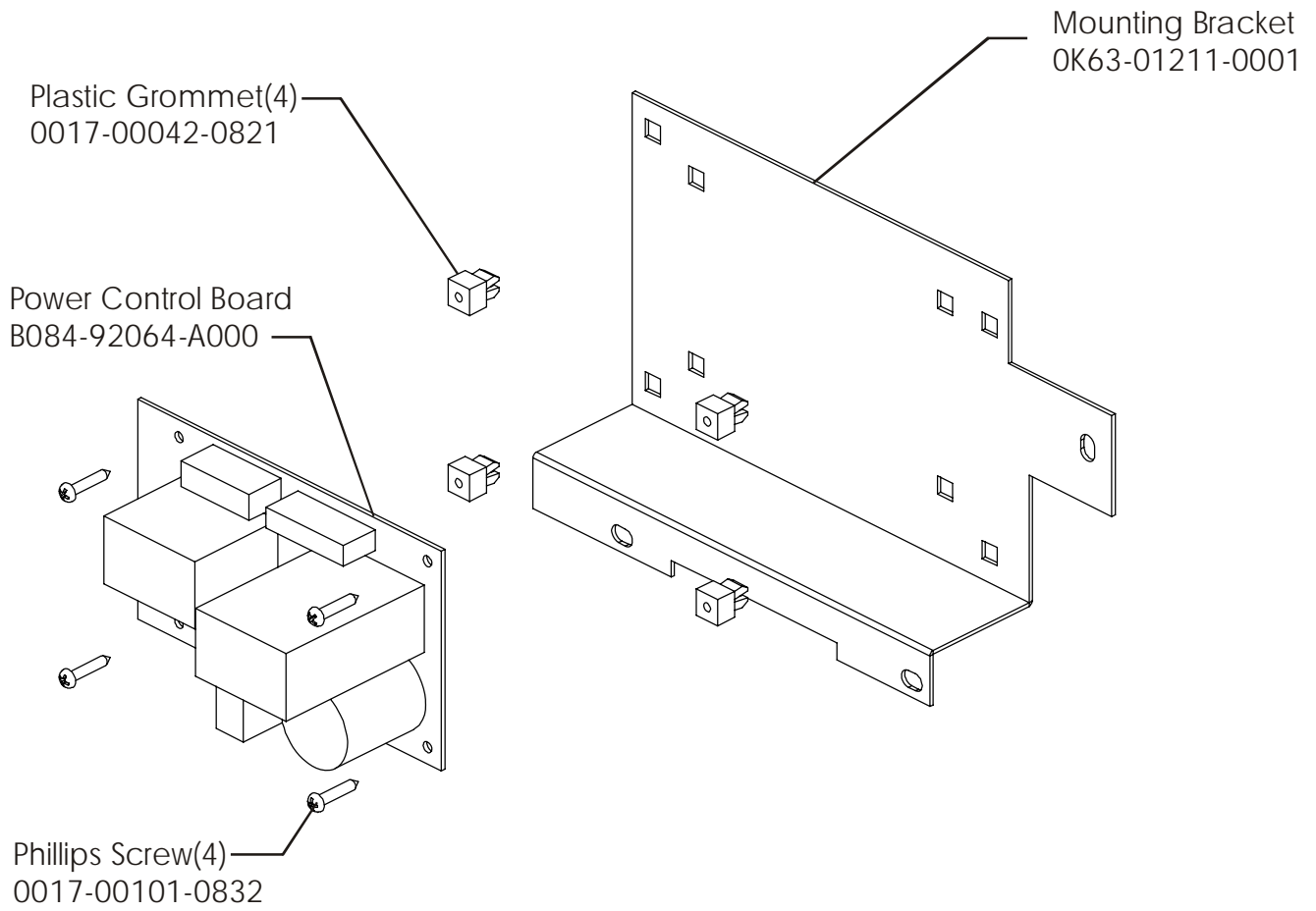
ARCTIC SILVER 90CW
Right Side Shroud and Crankarm

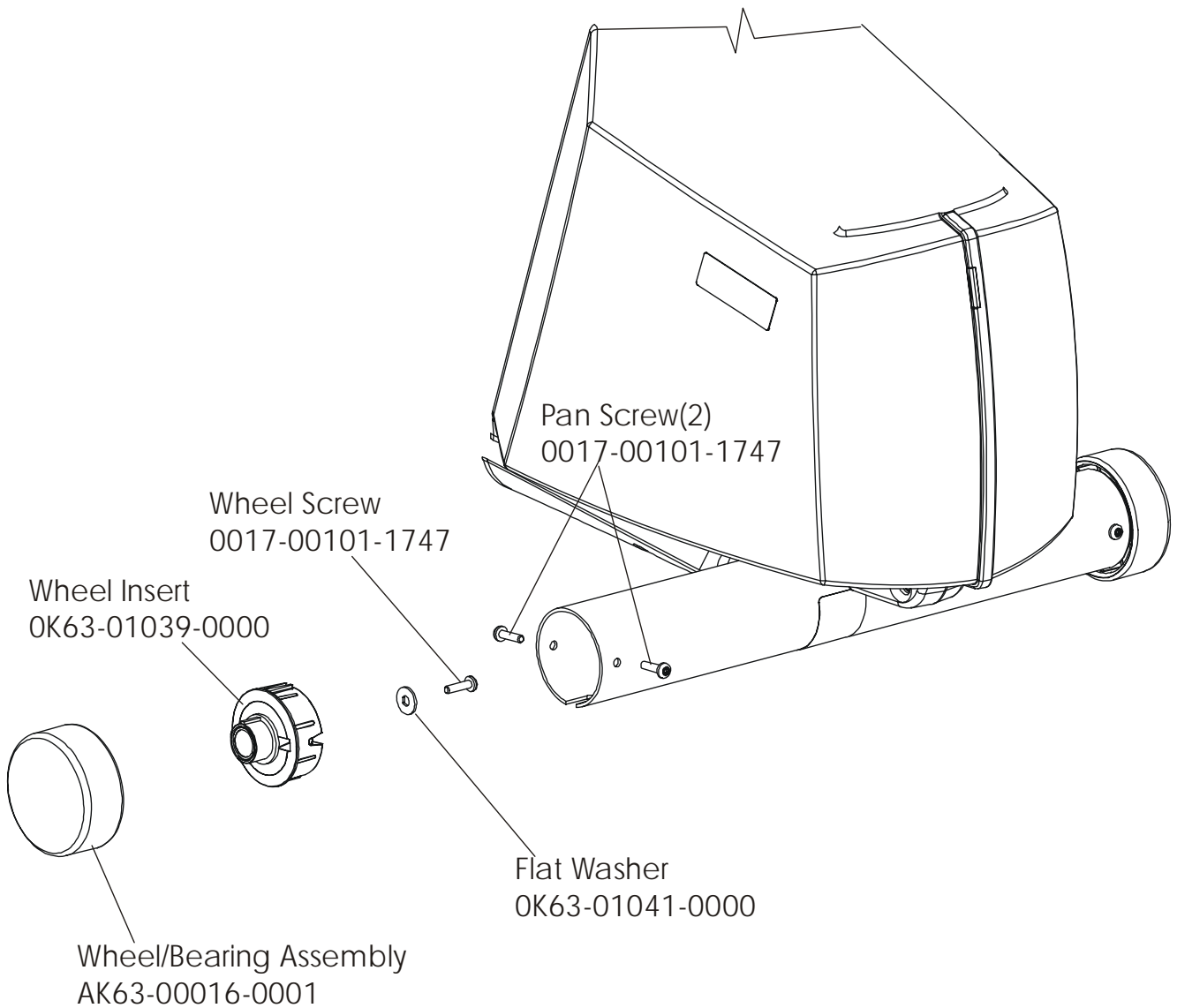
90CW-0XXX-02
S/N CCI100000 and UP



ARCTIC SILVER 90CW
PCB Mounting Bracket Assembly

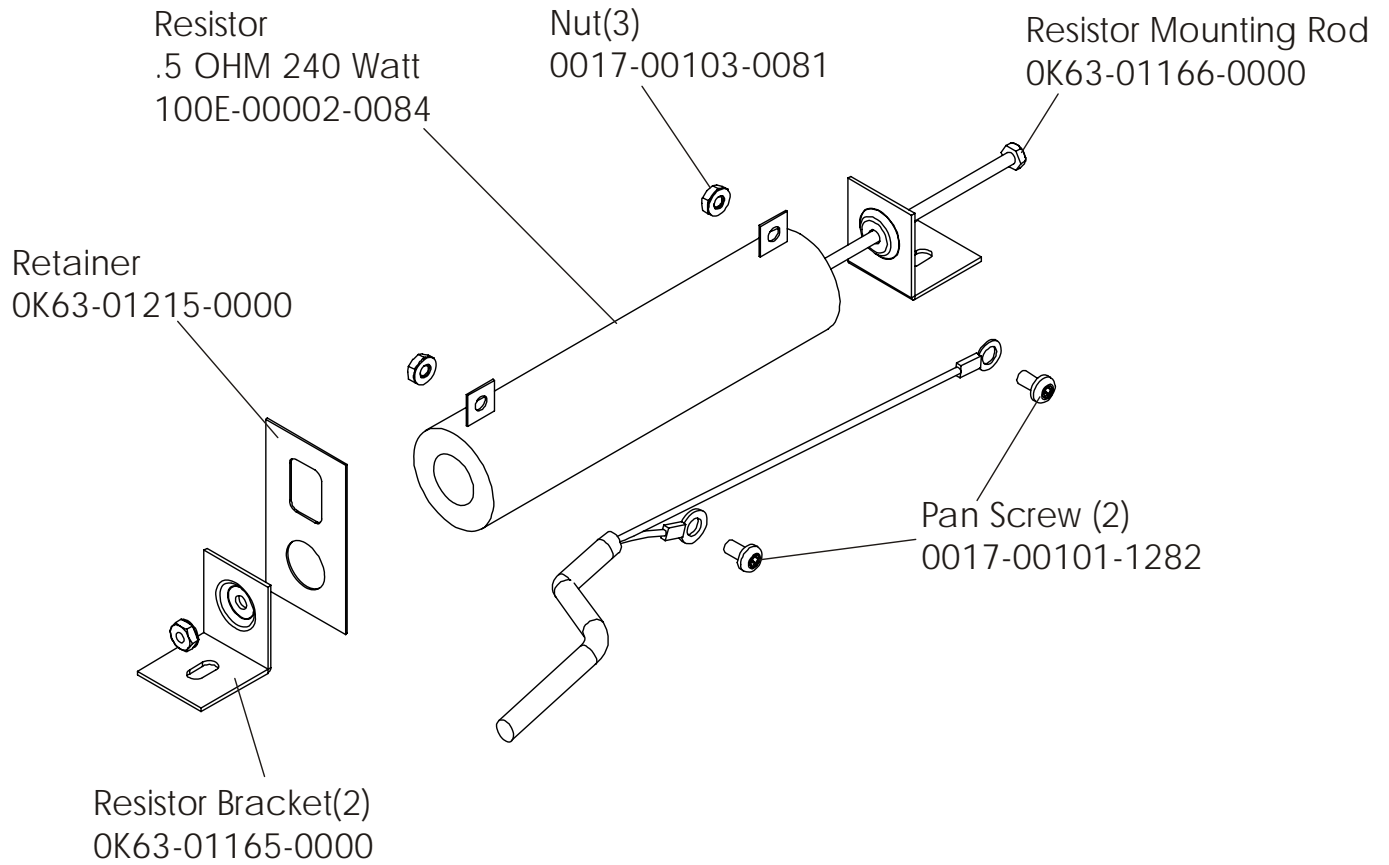
90CW-0XXX-02
S/N CCI100000 and UP





ARCTIC SILVER 90CW
Resistor Assembly – AK63-00114-0000

90CW-0XXX-02
S/N CCI100000 and UP

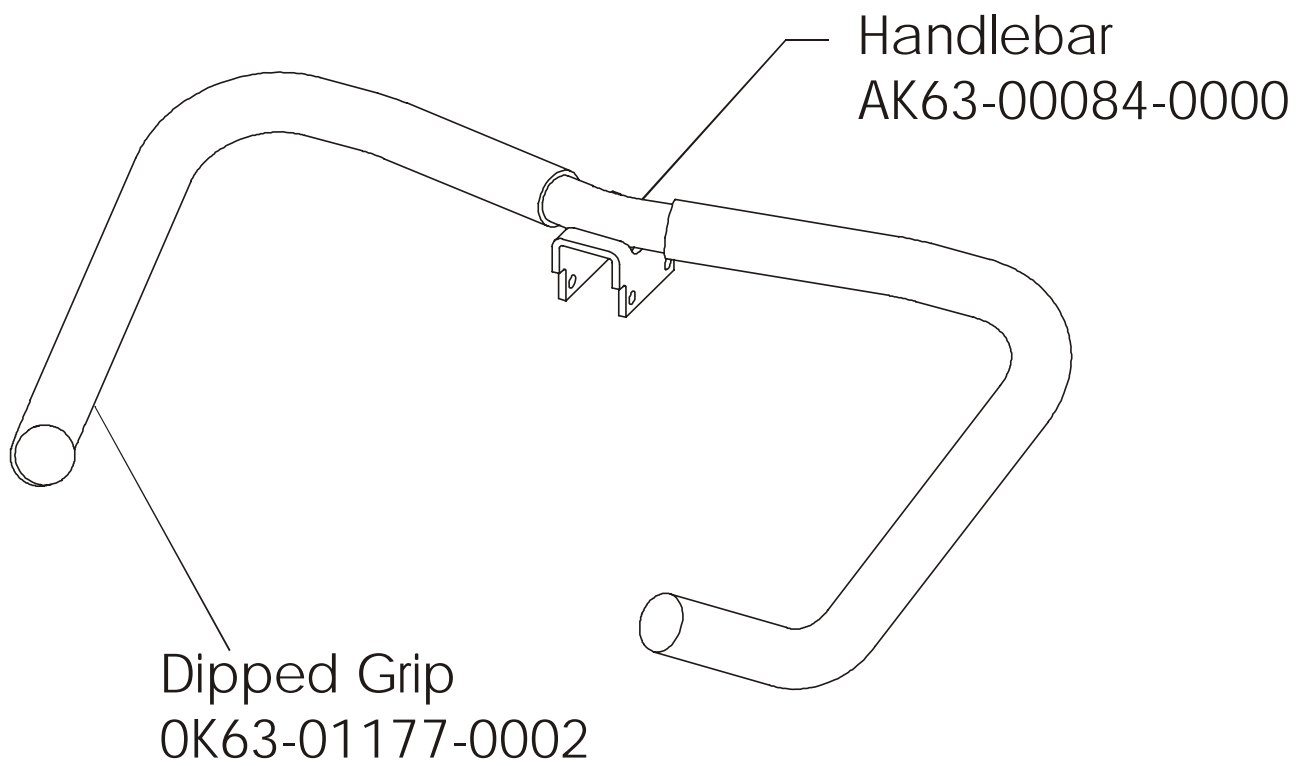


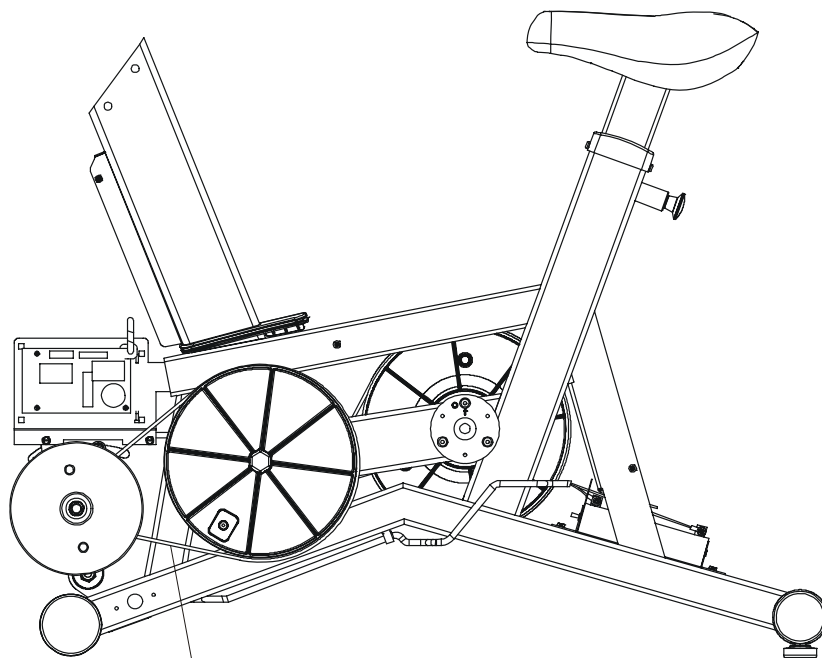
ARCTIC SILVER 90CW

Handlebar Assembly – AK63-00101-0001

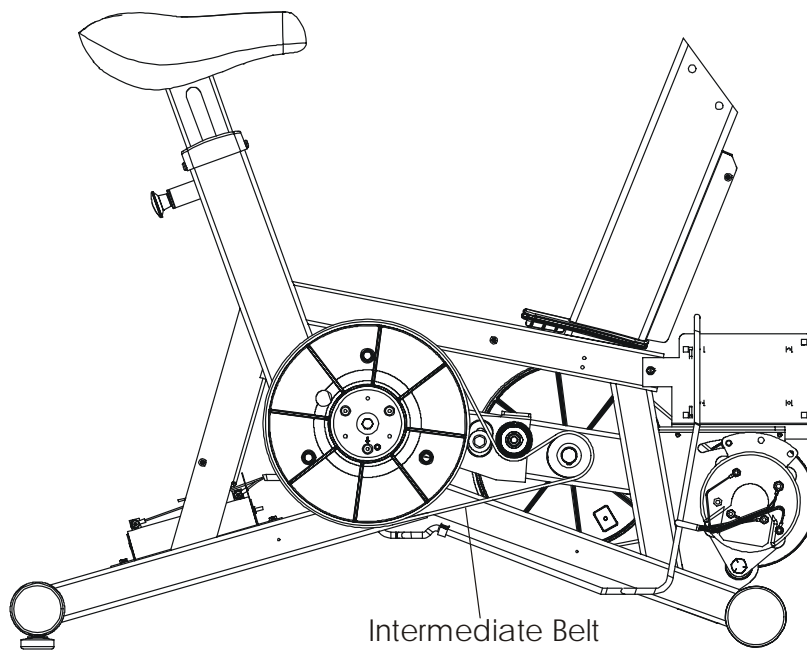
90CW-0XXX-02

S/N CCI100000 and UP





Alternator Belt
OK63-01065-0000



Intermediate Belt
OK63-01066-0001

ARCTIC SILVER 90CW Cables

90CW-0XXX-02
S/N CCI100000 and UP

