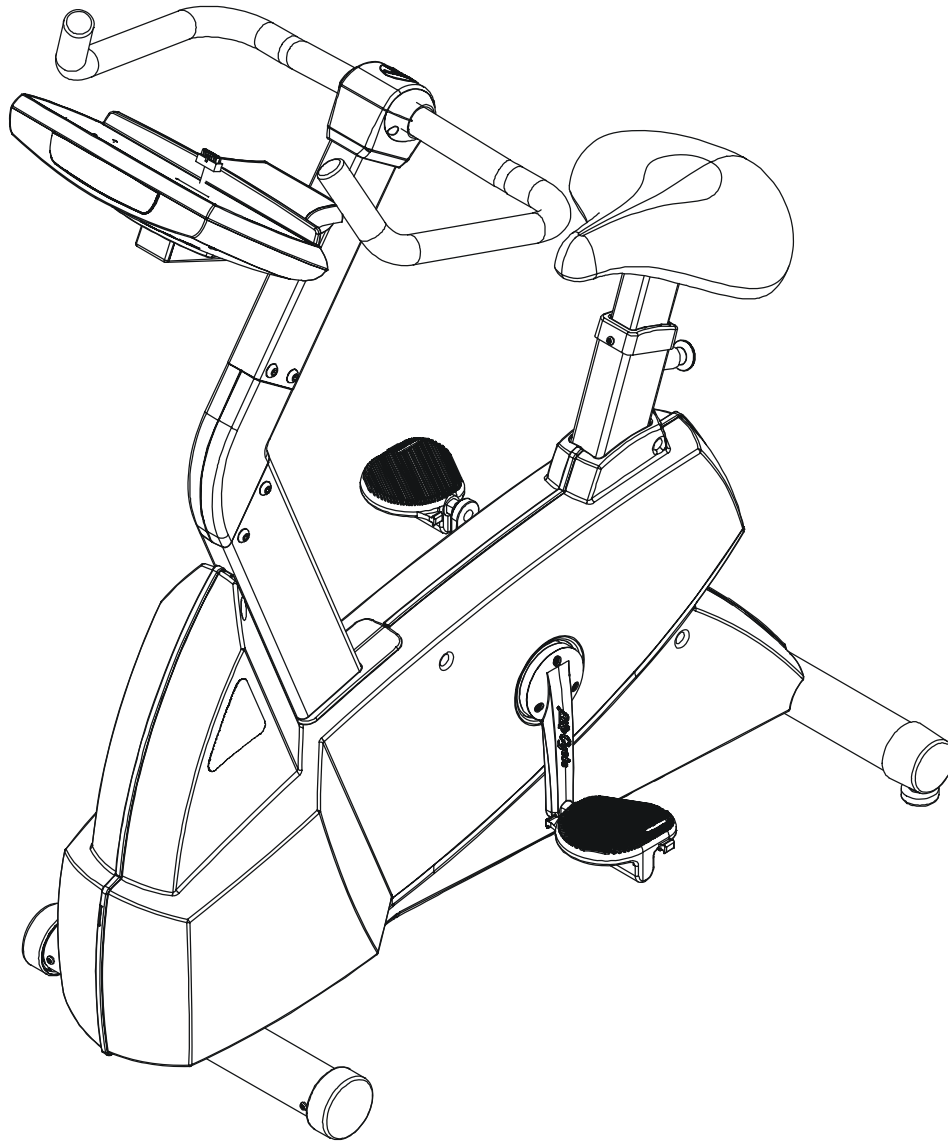


# LifeFitness

ARCTIC SILVER 95CWEZ Upright Bike



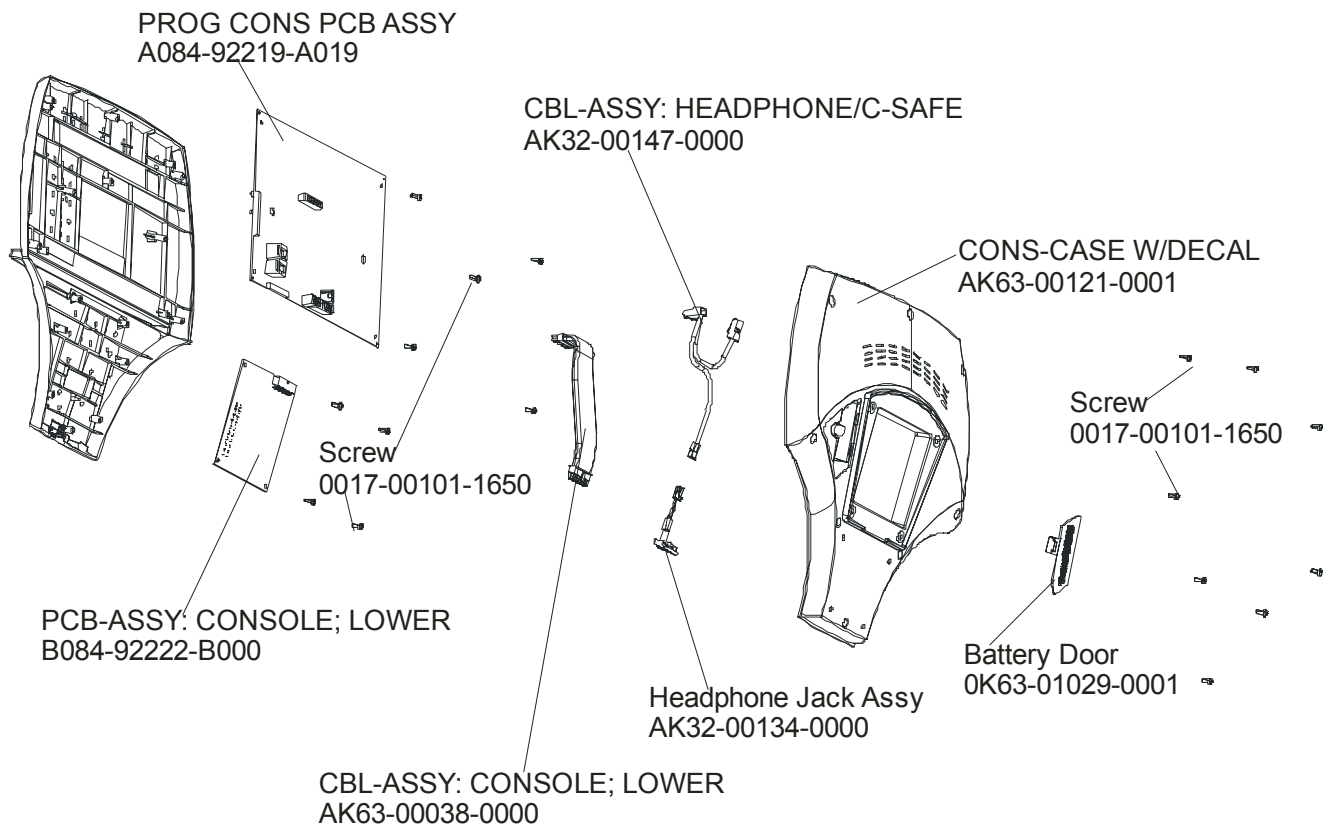
Customer Support Services  
**PARTS MANUAL**

rev 17 May 2012

Miscellaneous .....	3
Console and Related Components .....	4
Console Mounting Screws and Polar Covers .....	5
Alternator w/Pulley.....	6
Crankshaft and Bearing Assembly .....	7
Intermediate Shaft and Bearing Assembly .....	8
Seat Latch Assembly .....	9
Seat Post Assembly.....	10
Seat Post Shrouds .....	11
Idler Bracket Assembly .....	12
Console Support Assembly .....	13
Left Side Shroud and Crankarm .....	14
Right Side Shroud and Crankarm.....	15
PCB Mounting Bracket Assembly .....	16
Front Wheels .....	17
Resistor Assembly .....	18
Handlebar Assembly .....	19
Belts .....	20
Cables .....	21

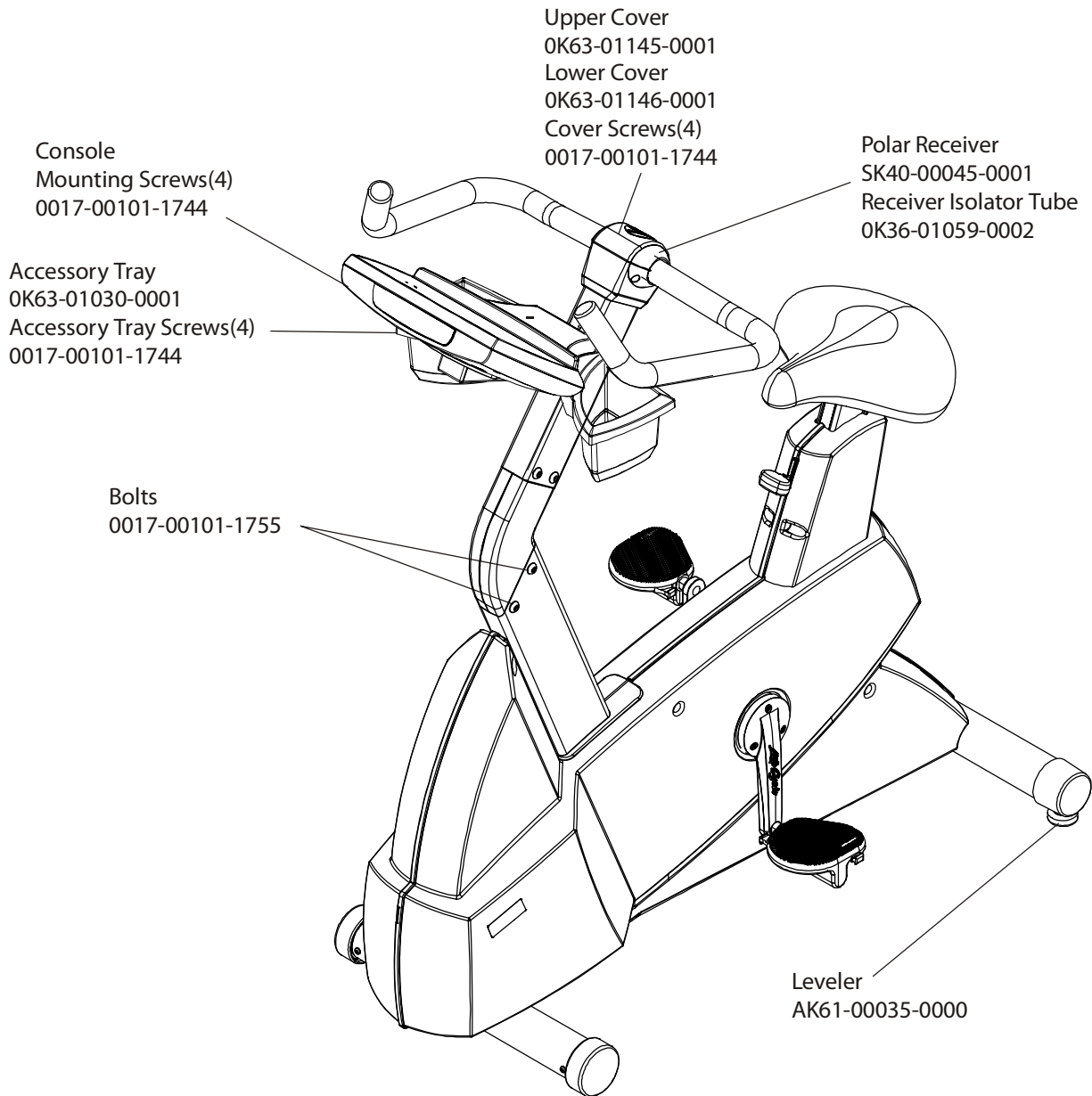
Description	Part No.
OPERATION MANUAL - ( ENG )	M051-00K63-A200
OPERATION MANUAL - ( F/S/P )	M051-00K63-A201
OPERATION MANUAL - ( G/D/I )	M051-00K63-A202
OPERATION MANUAL - ( JAP )	M051-00K63-A203
HARDWARE BAG	GK63-00002-0044
POWER OPTION KIT - 120V	GK63-00002-0005
POWER OPTION KIT - 220/50 UK	GK63-00002-0039
POWER OPTION KIT - 240V+ AUS	GK63-00002-0040
POWER OPTION KIT - 220/50	GK63-00002-0041
TOUCH UP PAINT: SPRAY CAN .5 OZ BOTTLE W/APPLICATOR .33 OZ PEN	0017-00008-0204 0017-00008-0205 0017-00008-0206
120" POWER EXTENSION CABLE	AK32-00078-0001
90" COAX CABLE	AK32-00020-0001
ER READY BRACKET ASSEMBLY ASEMBLY CONSISTS OF: 1) ER READY BRACKET 2) F TYPE CONNECTOR	AK63-00215-0000 OK63-01329-0000 0017-00021-2846
SERVICE MANUAL	M051-00K63-A009

Note: This model is a combination of the attachable LCD TV (LCDCEZ-XXXX-01) and the base unit 95CWEZ-XXXX-04 (alpha code CWE). The unit has both Lifepulse sensors and telemetry for reading heart rate.



Console Assembly	Part No.
CONS-ASSY: 95CWEZ; ENG	AK63-00251-0001
CONS-ASSY; 95CWEZ; EUR	AK63-00251-0002
CONS-ASSY; 95CWEZ; GER	AK63-00251-0003
CONS-ASSY; 95CWEZ; SPN	AK63-00251-0004
CONS-ASSY; 95CWEZ; JAP	AK63-00251-0006
CONS-ASSY; 95CWEZ; FRN	AK63-00251-0007
CONS-ASSY; 95CWEZ; ITL	AK63-00251-0008
CONS-ASSY; 95CWEZ; DUT	AK63-00251-0009
CONS-ASSY; 95CWEZ; POR	AK63-00251-0010
CONS-ASSY; 95CWEZ; TUR	AK63-00251-0014

Bezel/Switch w/Overlay Assembly	Part No.
BZL/SW W/OVERLAY ASSY: MFG; 95CWEZ/95REZ ENG	AK63-00250-0001
BZL/SW W/OVERLAY ASSY: MFG; 95CWEZ/95REZ ENG	AK63-00250-0001
BZL/SW W/OVERLAY ASSY: 95CWEZ/95REZ GER	AK63-00250-0003
BZL/SW W/OVERLAY ASSY: 95CWEZ/95REZ SPN	AK63-00250-0004
BZL/SW W/OVERLAY ASSY: 95CWEZ/95REZ JAP	AK63-00250-0006
BZL/SW W/OVERLAY ASSY: 95CWEZ/95REZ FRN	AK63-00250-0007
BZL/SW W/OVERLAY ASSY: 95CWEZ/95REZ ITL	AK63-00250-0008
BZL/SW W/OVERLAY ASSY: 95CWEZ/95REZ DUT	AK63-00250-0009
BZL/SW W/OVERLAY ASSY:: 95CWEZ/95REZ POR	AK63-00250-0010
BZL/SW W/OVERLAY ASSY: MFG; 95CWEZ/95REZ ENG	AK63-00250-0001



Alternator w/Pulley  
AK63-00093-0000

Alternator Pulley  
OK61-02500-0001

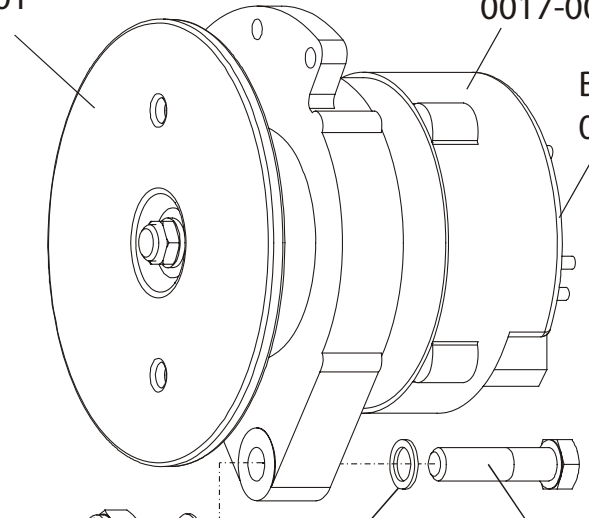
Alternator  
0017-00009-0841

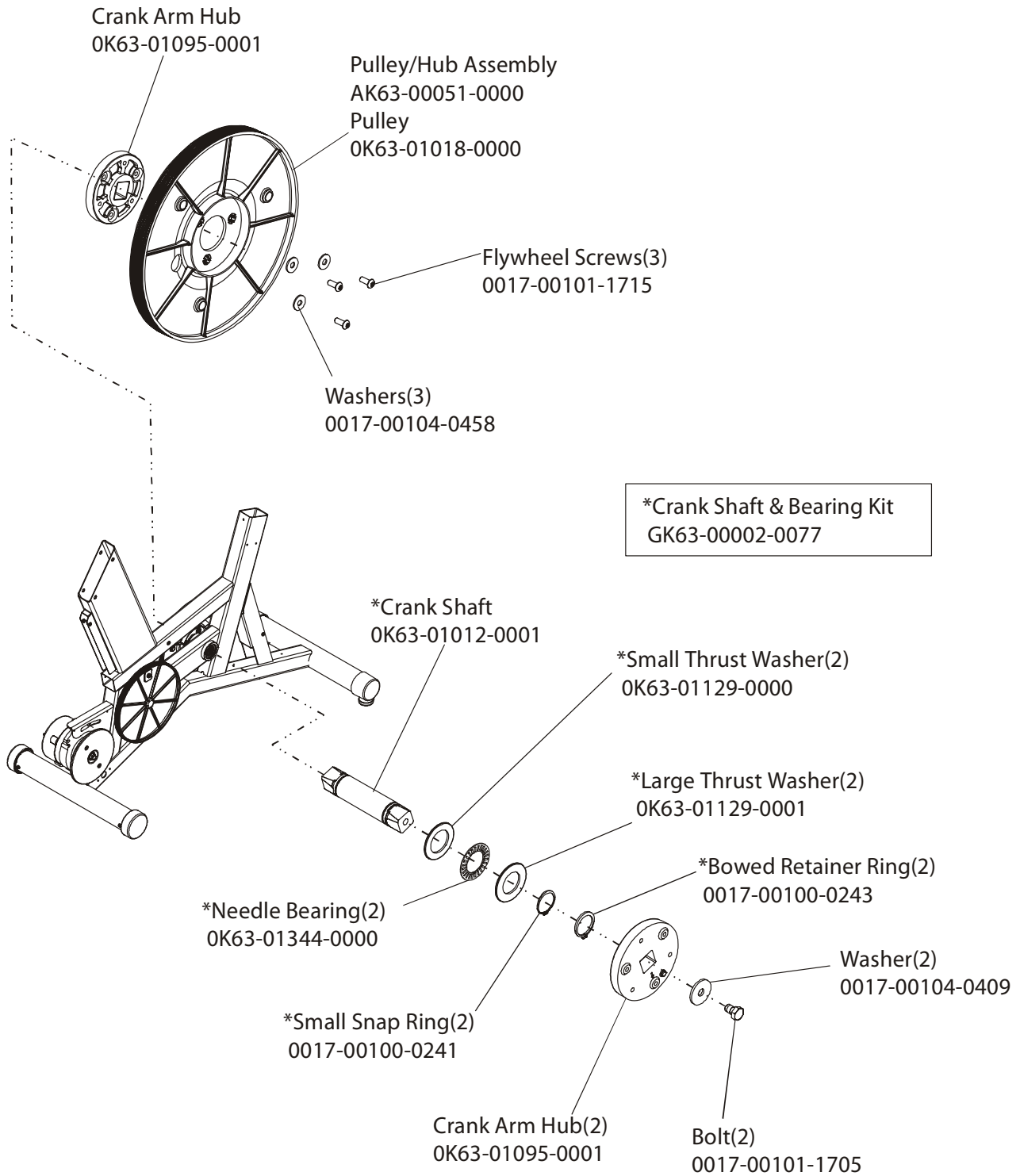
Brushes  
0017-00009-0895

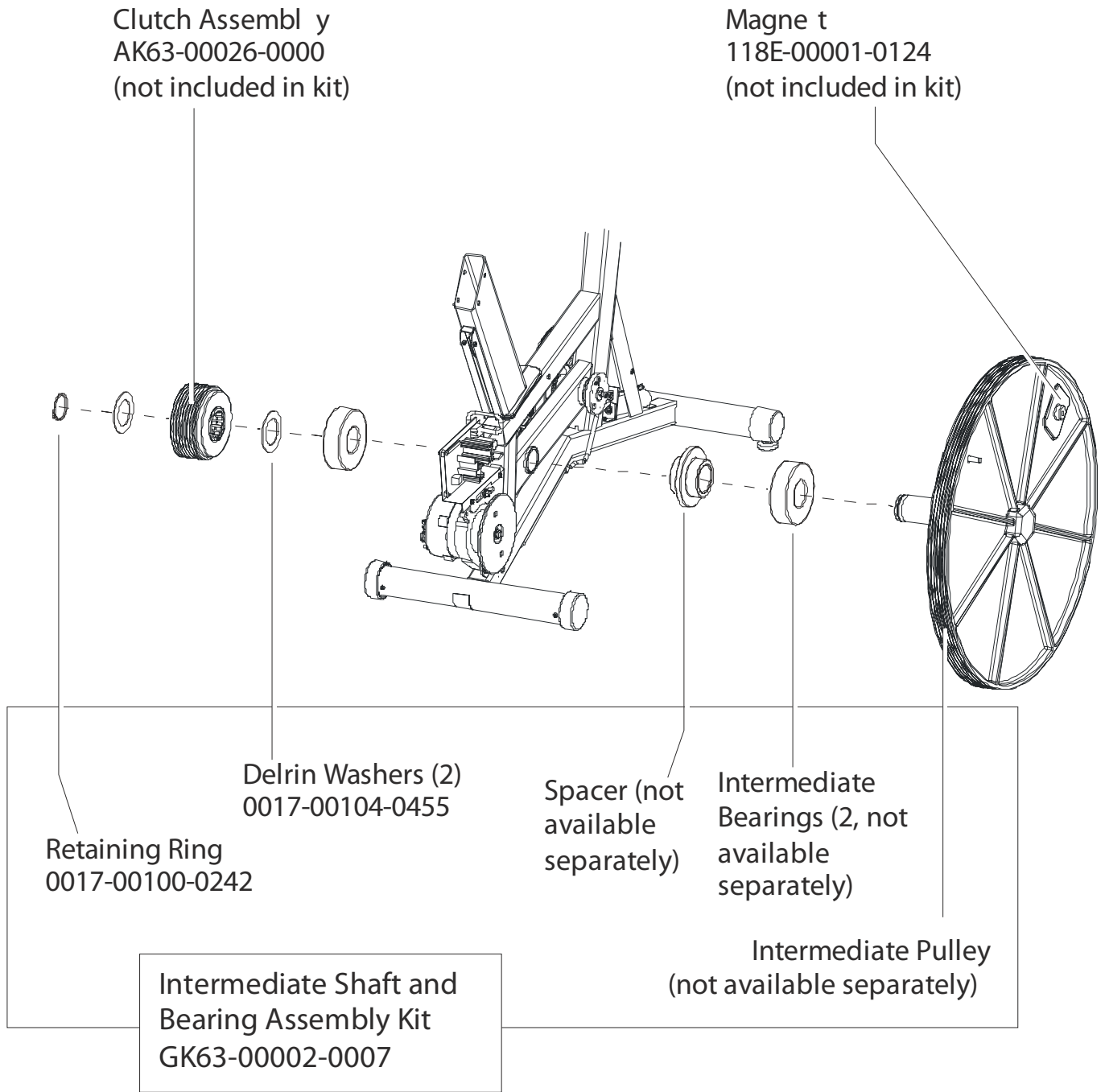
Locking Nut  
0017-00103-0117

Washer  
0017-00104-0044

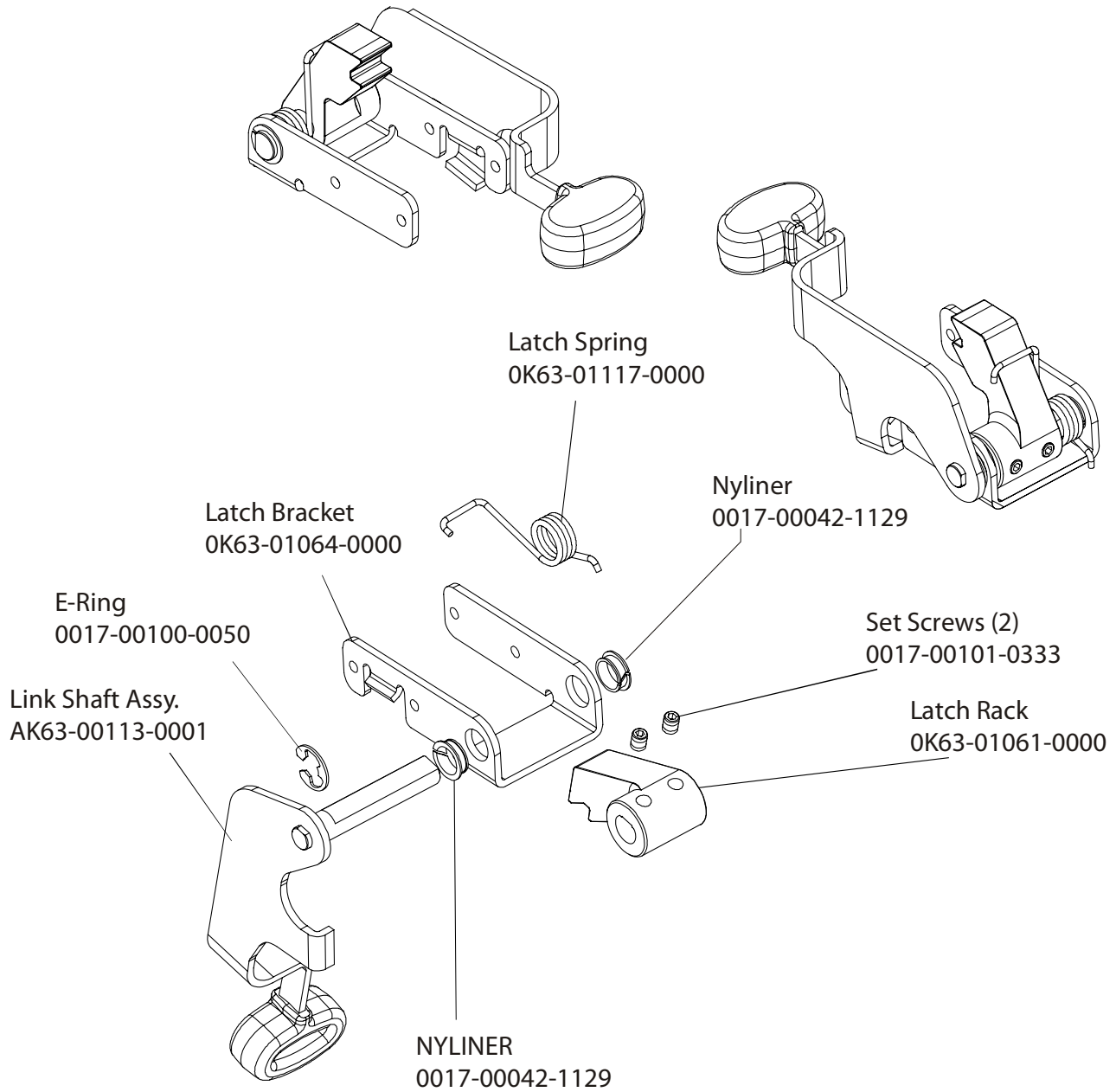
Bolt  
0017-00101-0956

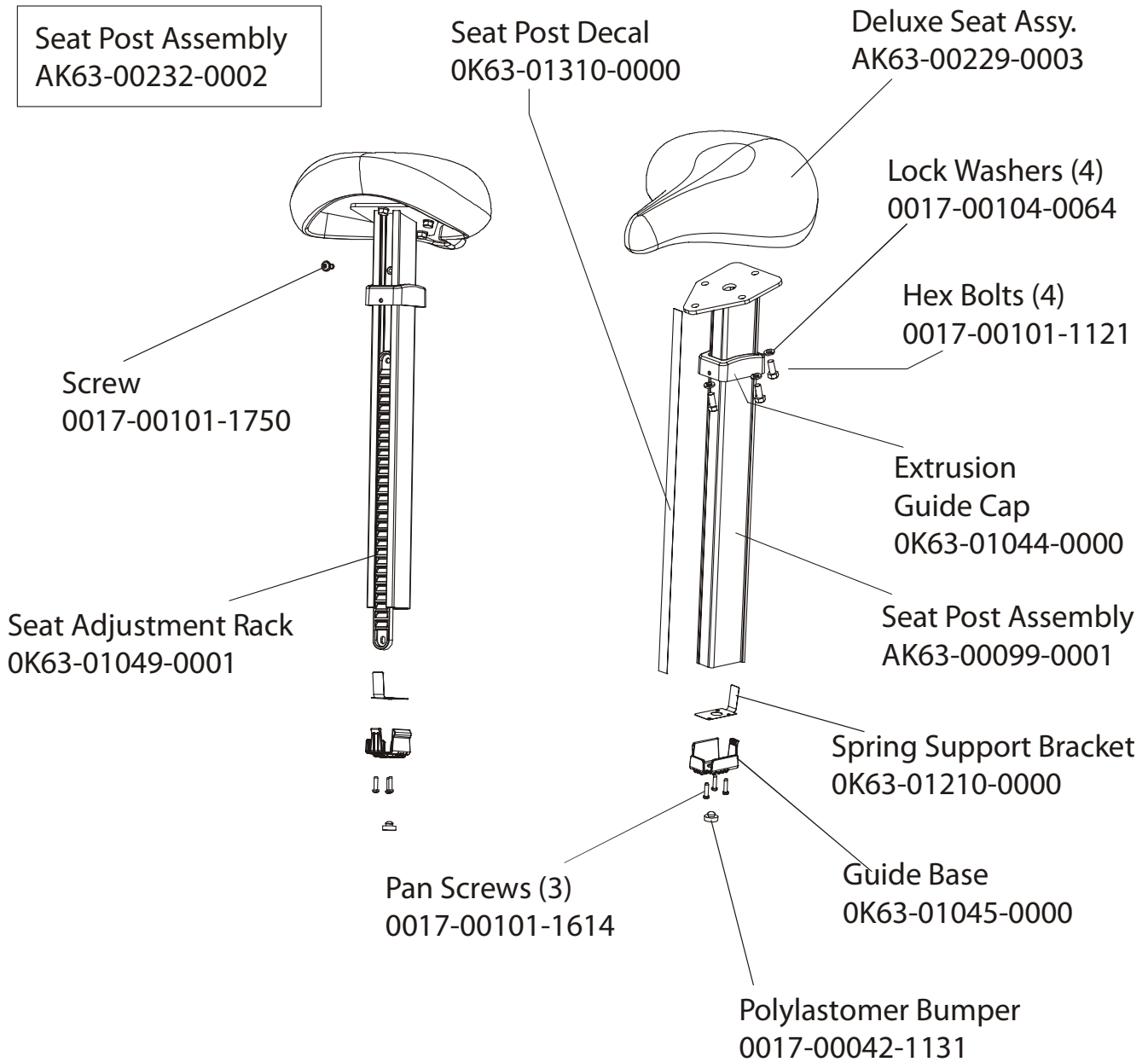






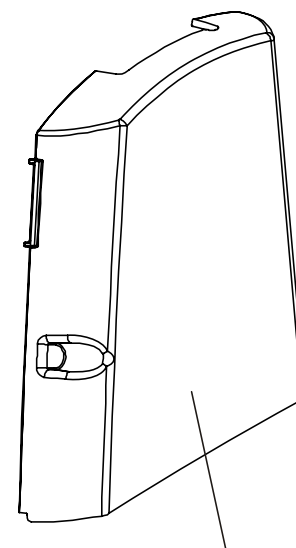
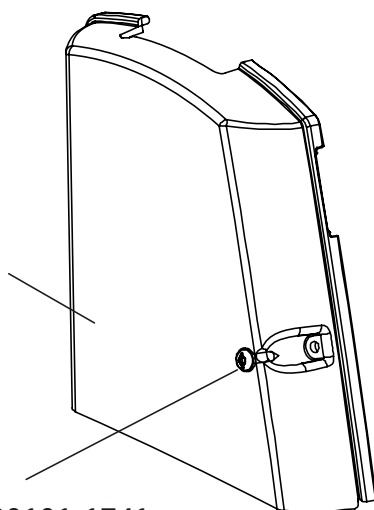
Seat Latch Assembly  
AK63-00043-0001



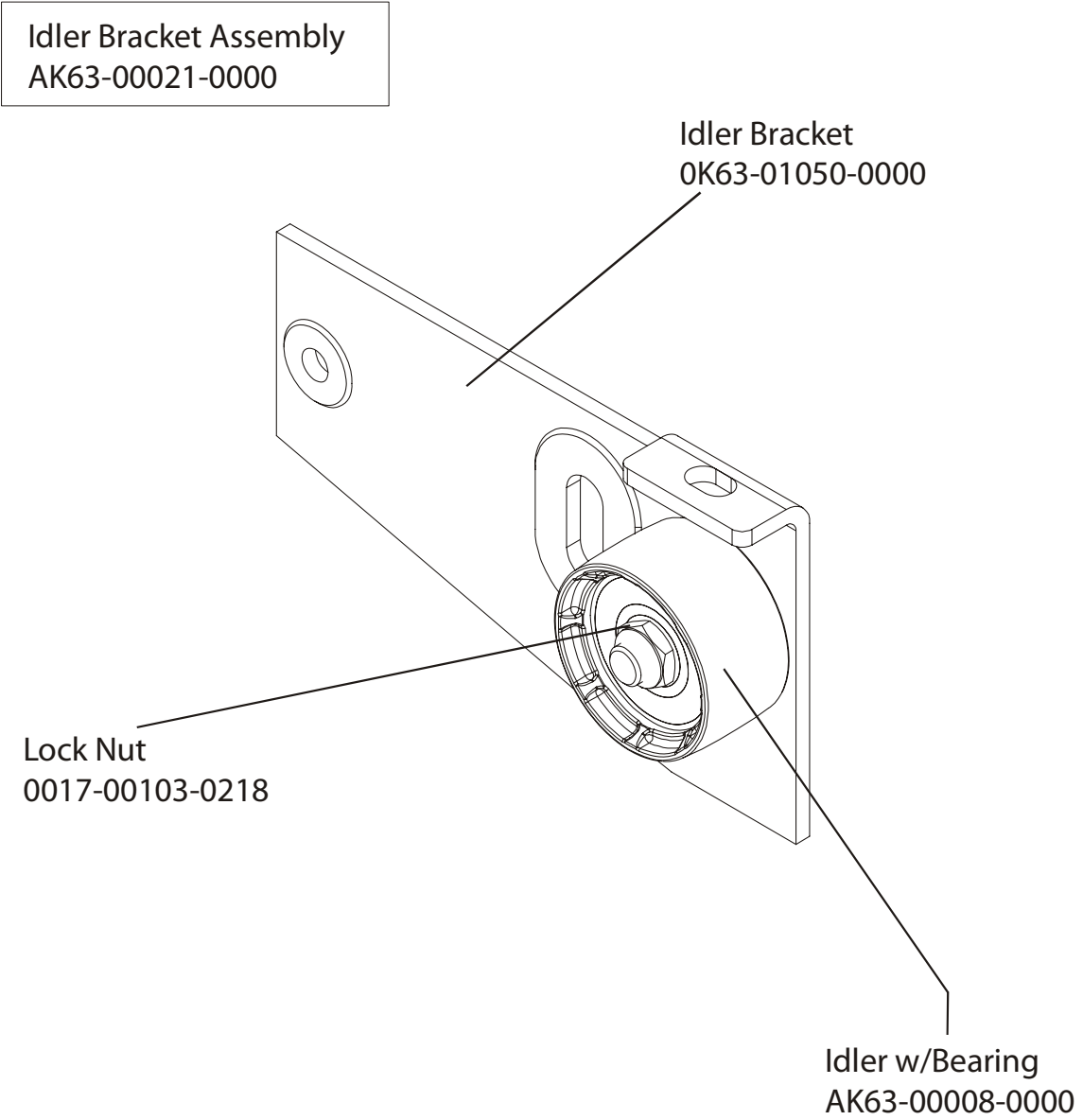


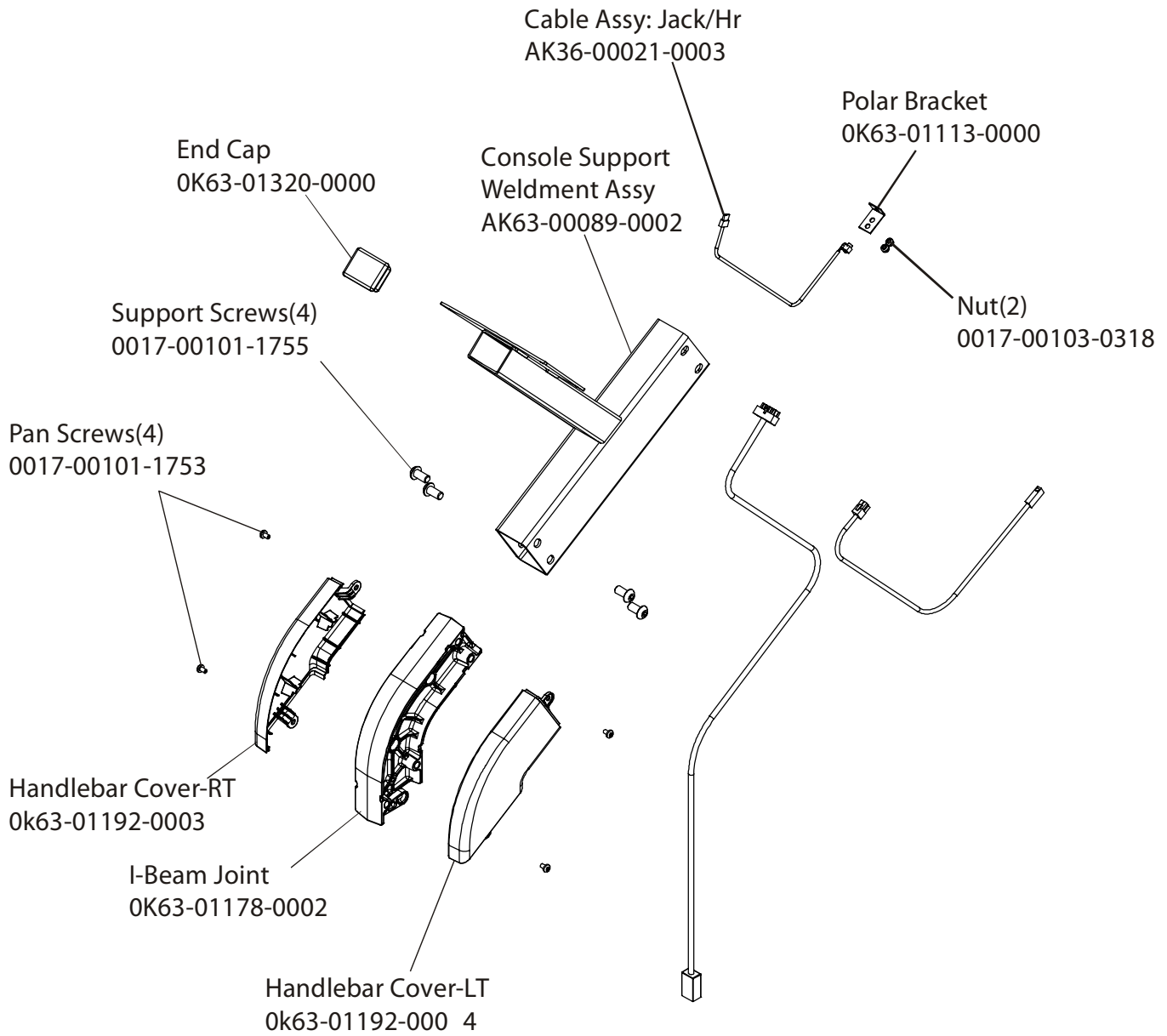
Left Seat Post Shroud  
OK63-01092-0010

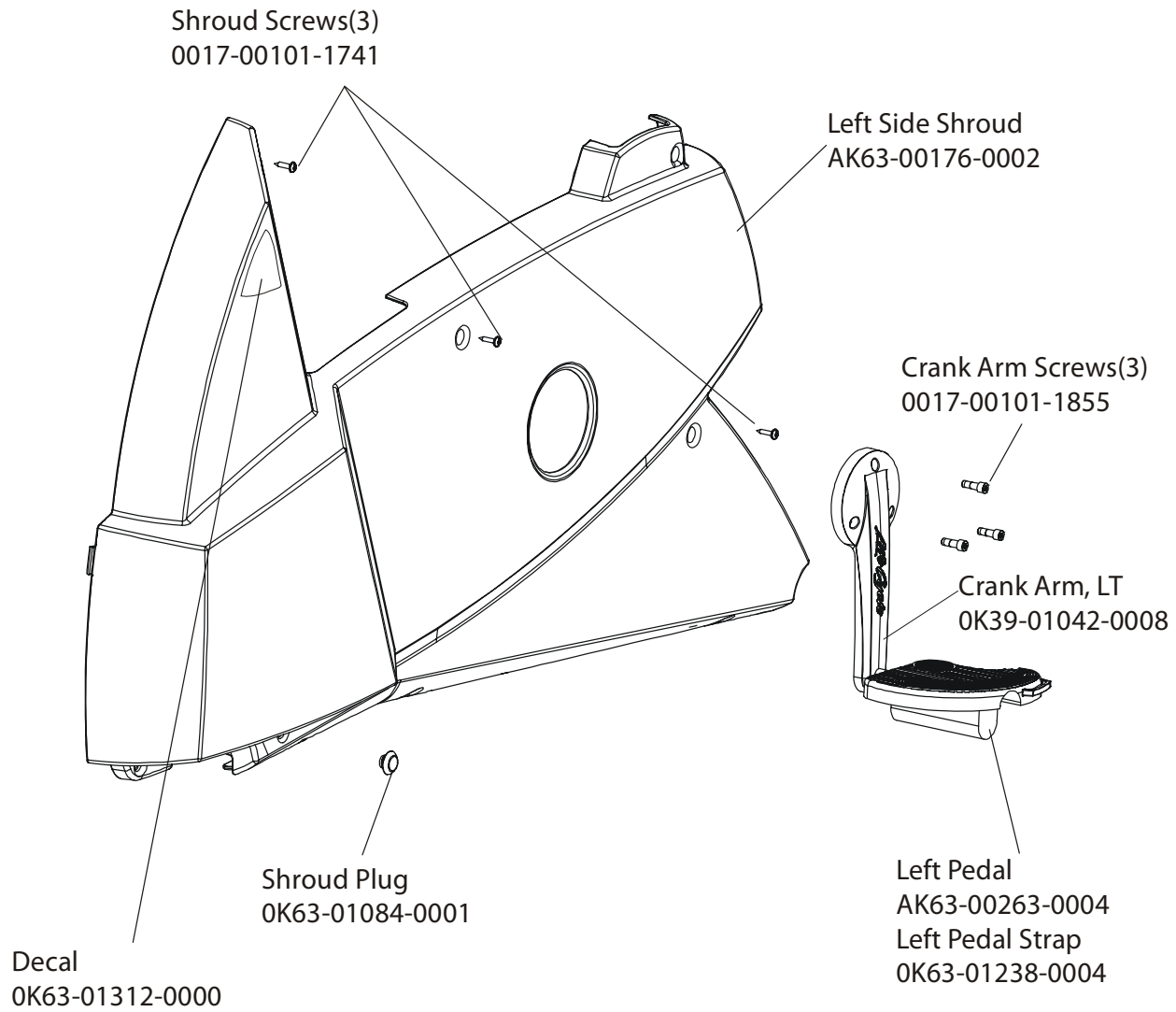
Screw  
0017-00101-1741

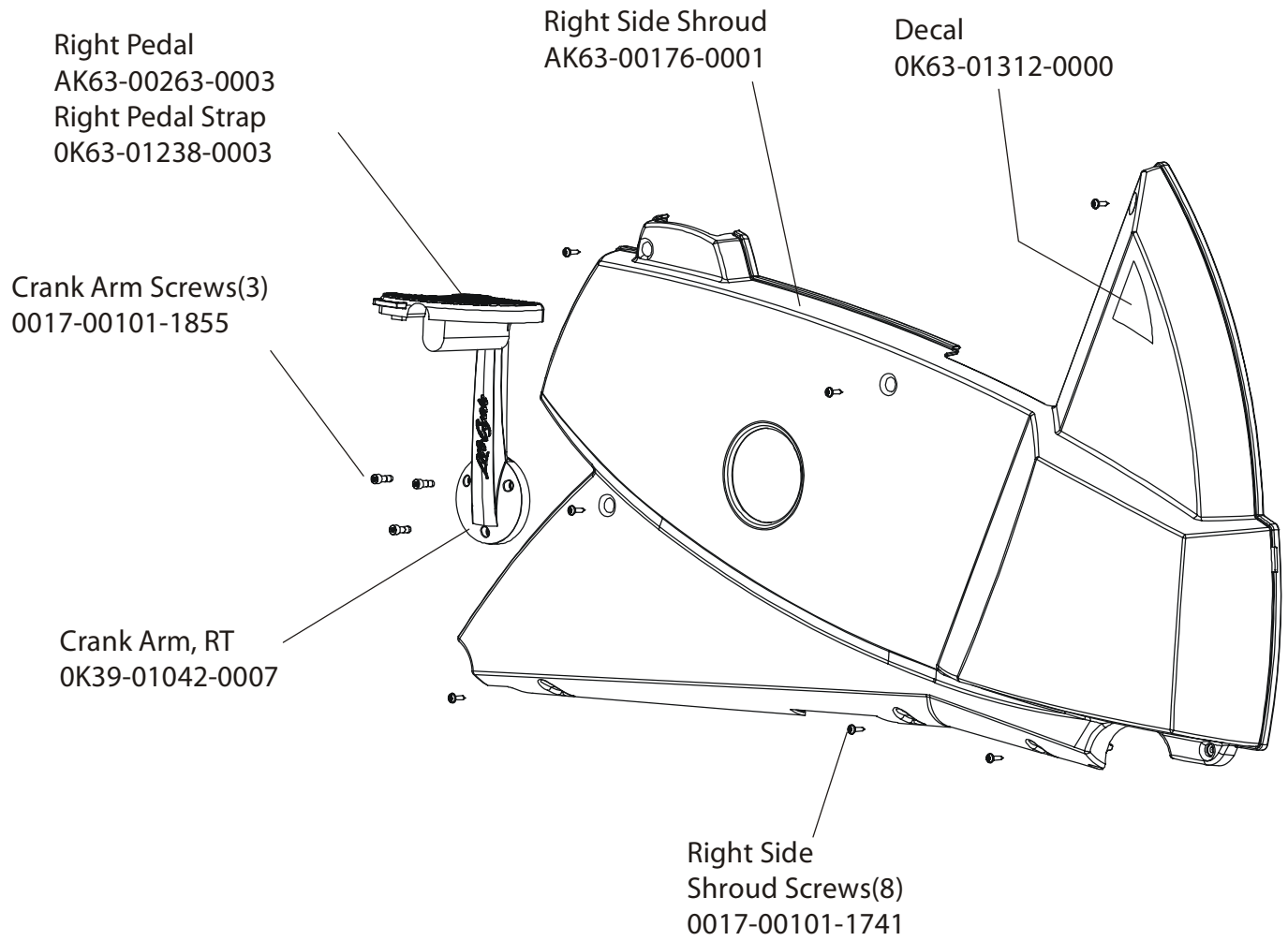


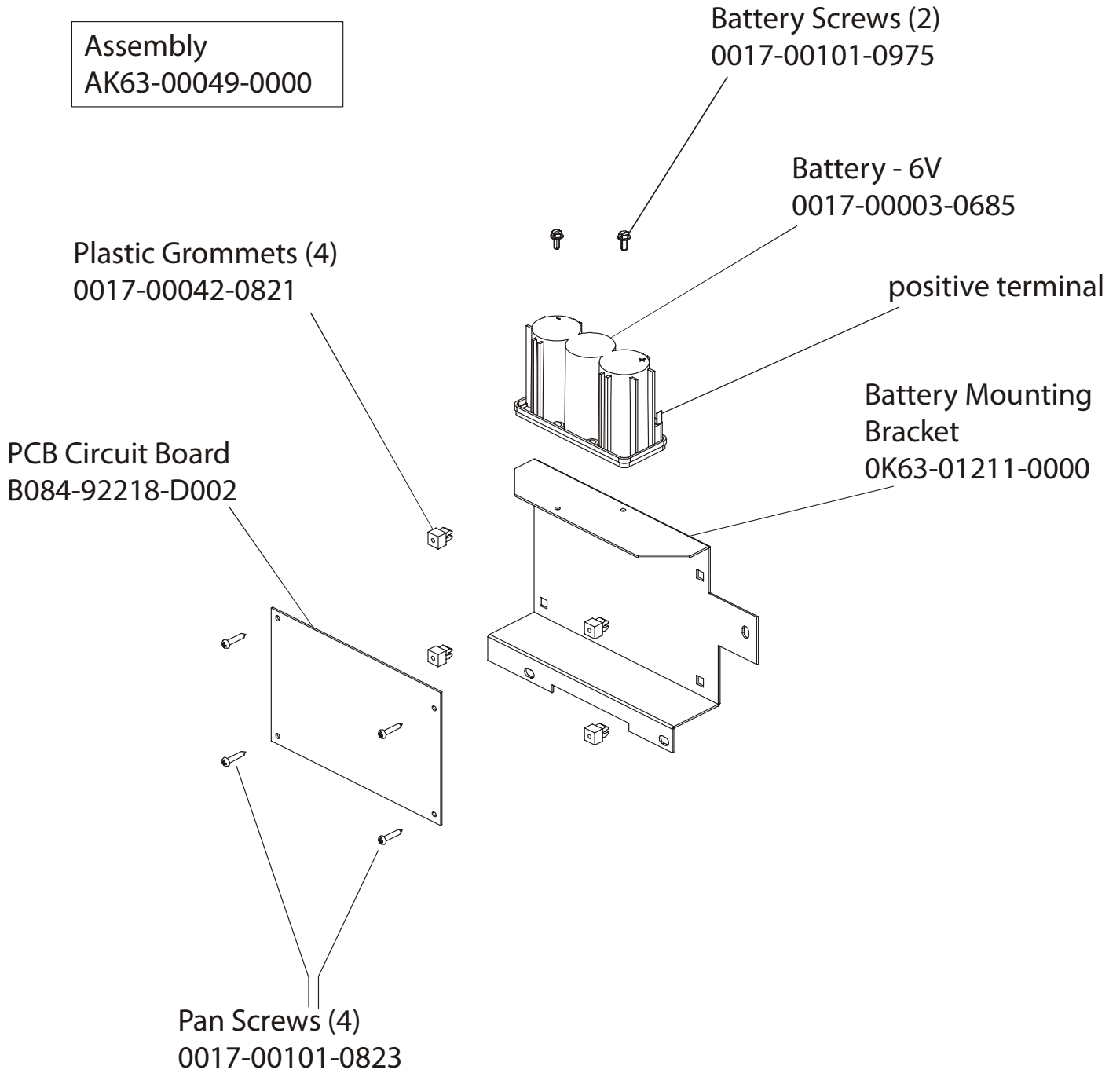
Right Seat Post Shroud  
OK63-01092-0009







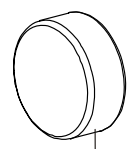




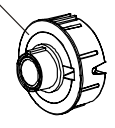
Front Wheels  
AK63-00017-0001

Wheel Screw  
0017-00101-1747

Wheel Insert  
OK63-01039-0000

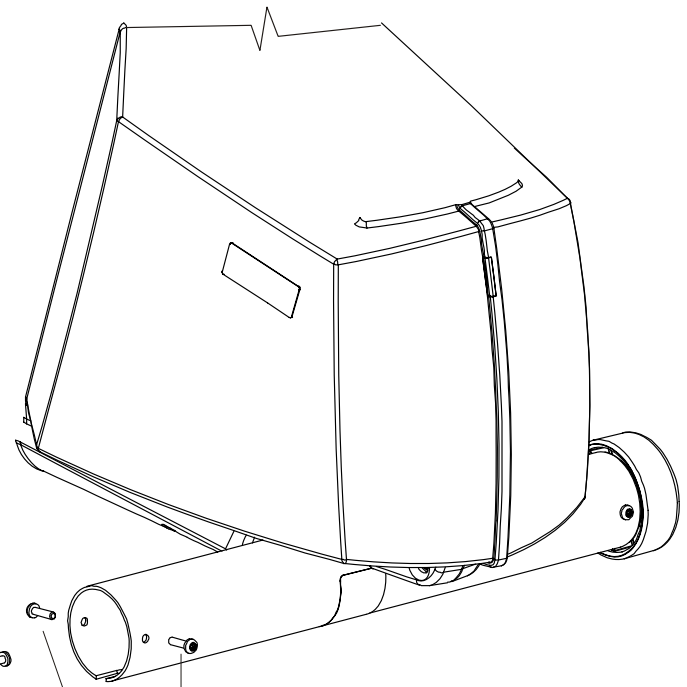


Wheel/Bearing Assembly  
AK63-00016-0001

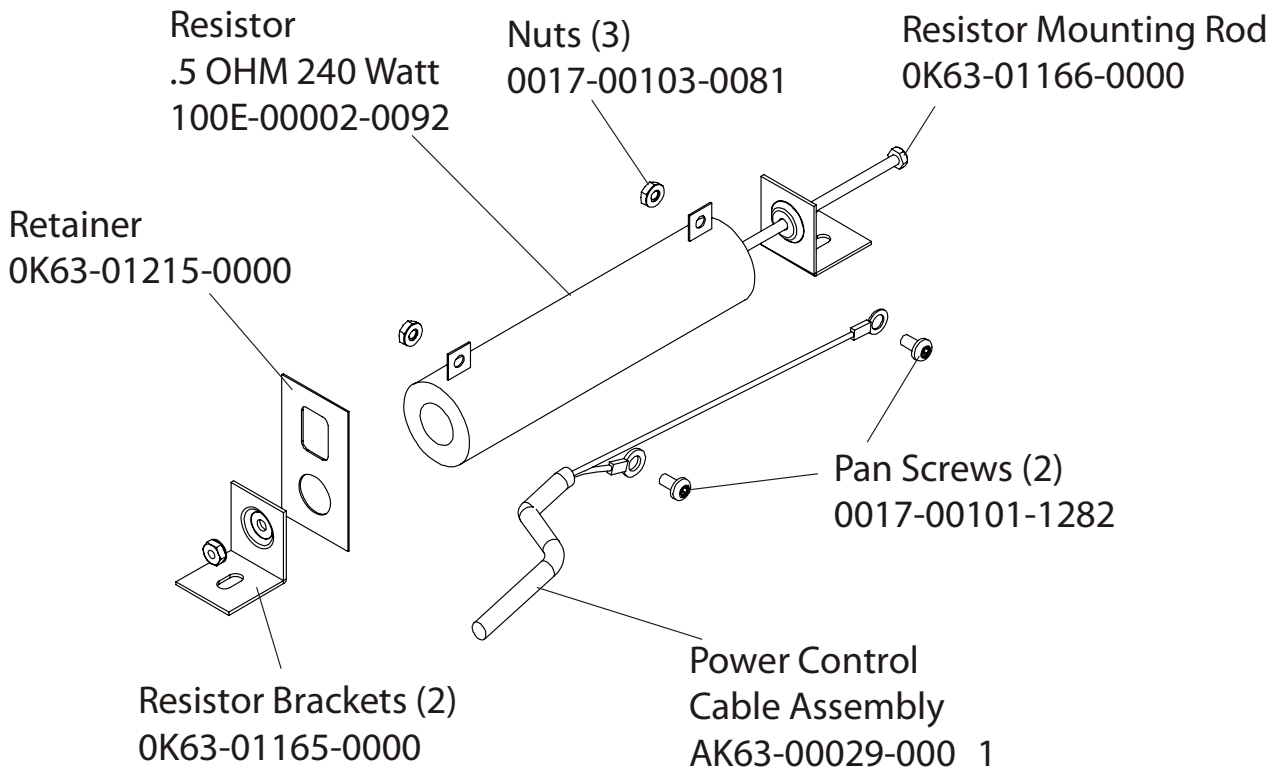


Flat Washer  
OK63-01041-0000

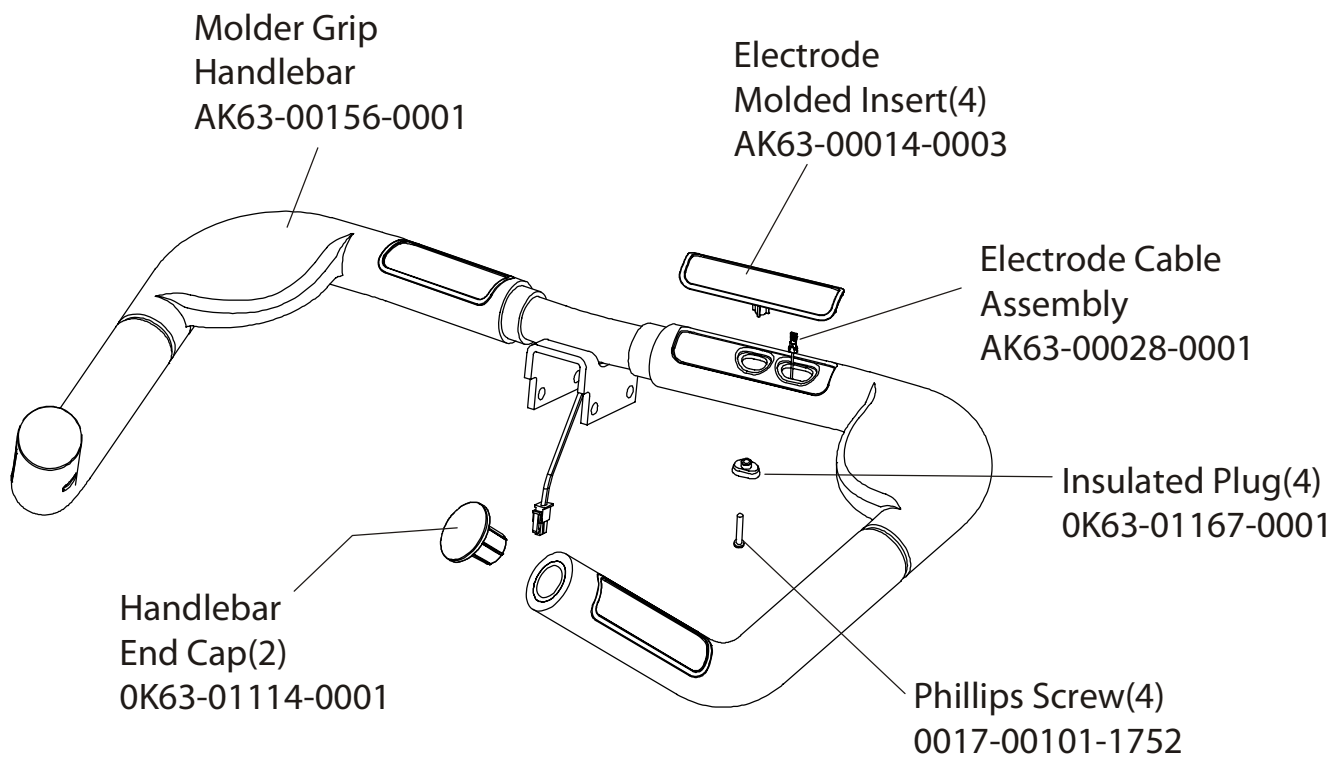
Pan Screws (2)  
0017-00101-1747

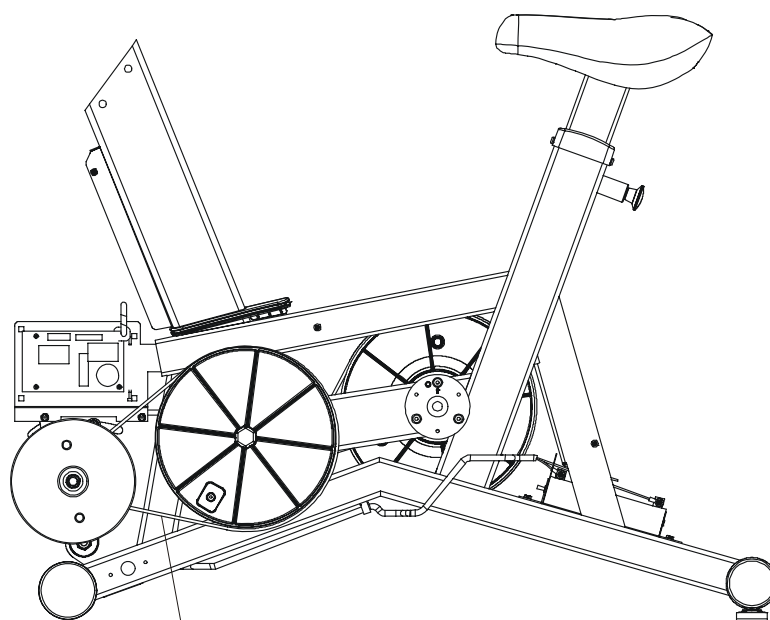


Resistor Assembly  
AK63-00047-0001

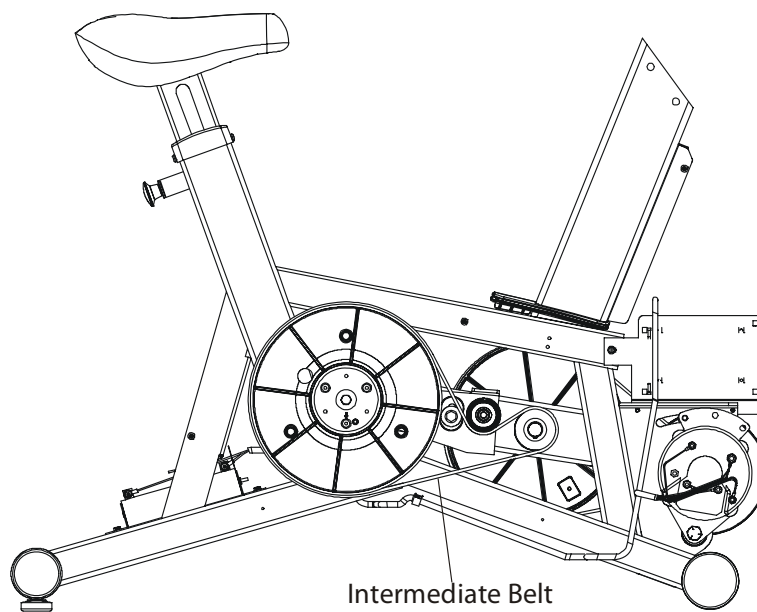


Handlebar Assembly  
AK63-00091-0001





Alternator Belt  
0K63-01065-0000



Intermediate Belt  
0K63-01066-0001

