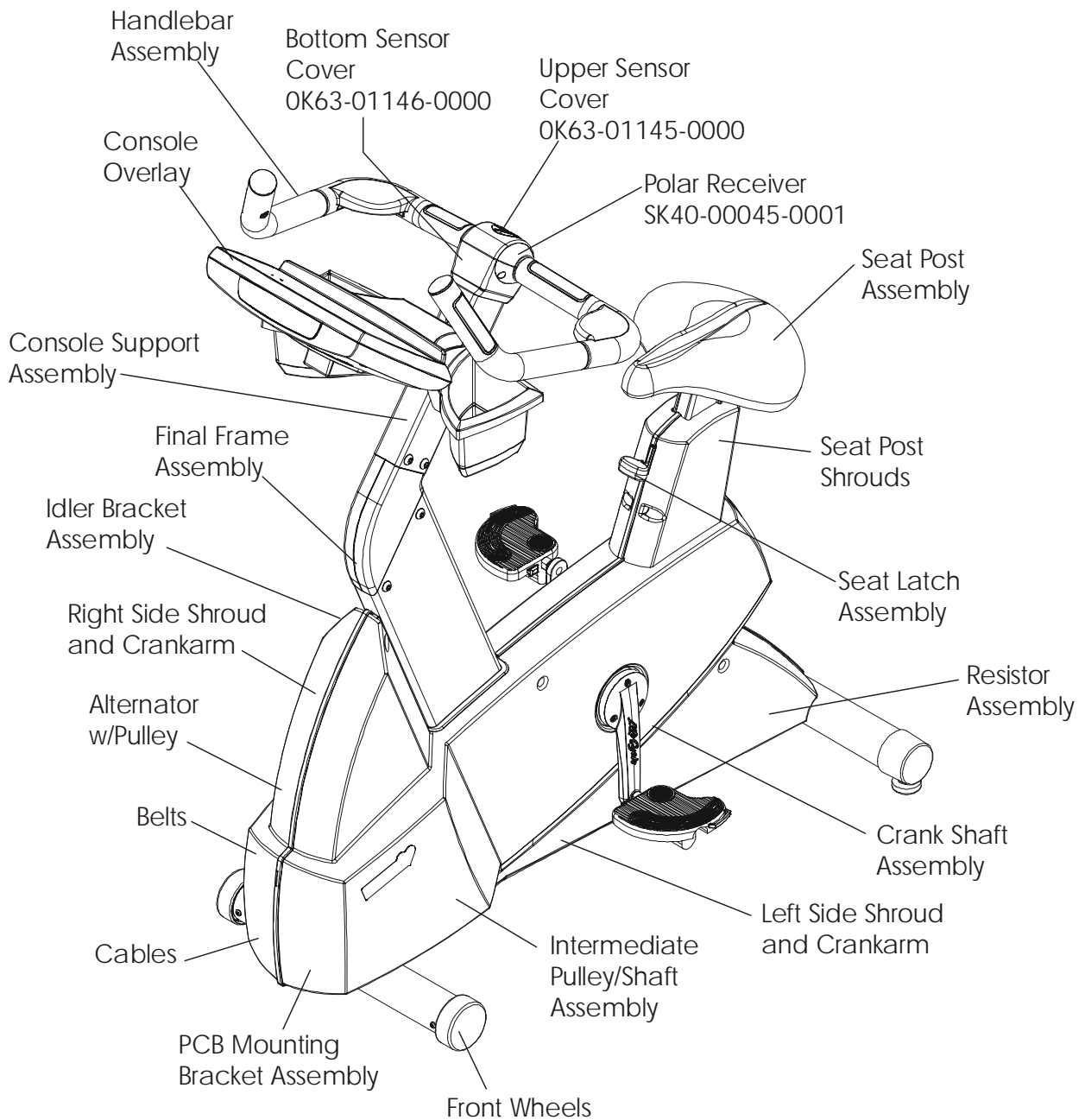


**LifeCycle 95CXXL**  
**General Assembly**

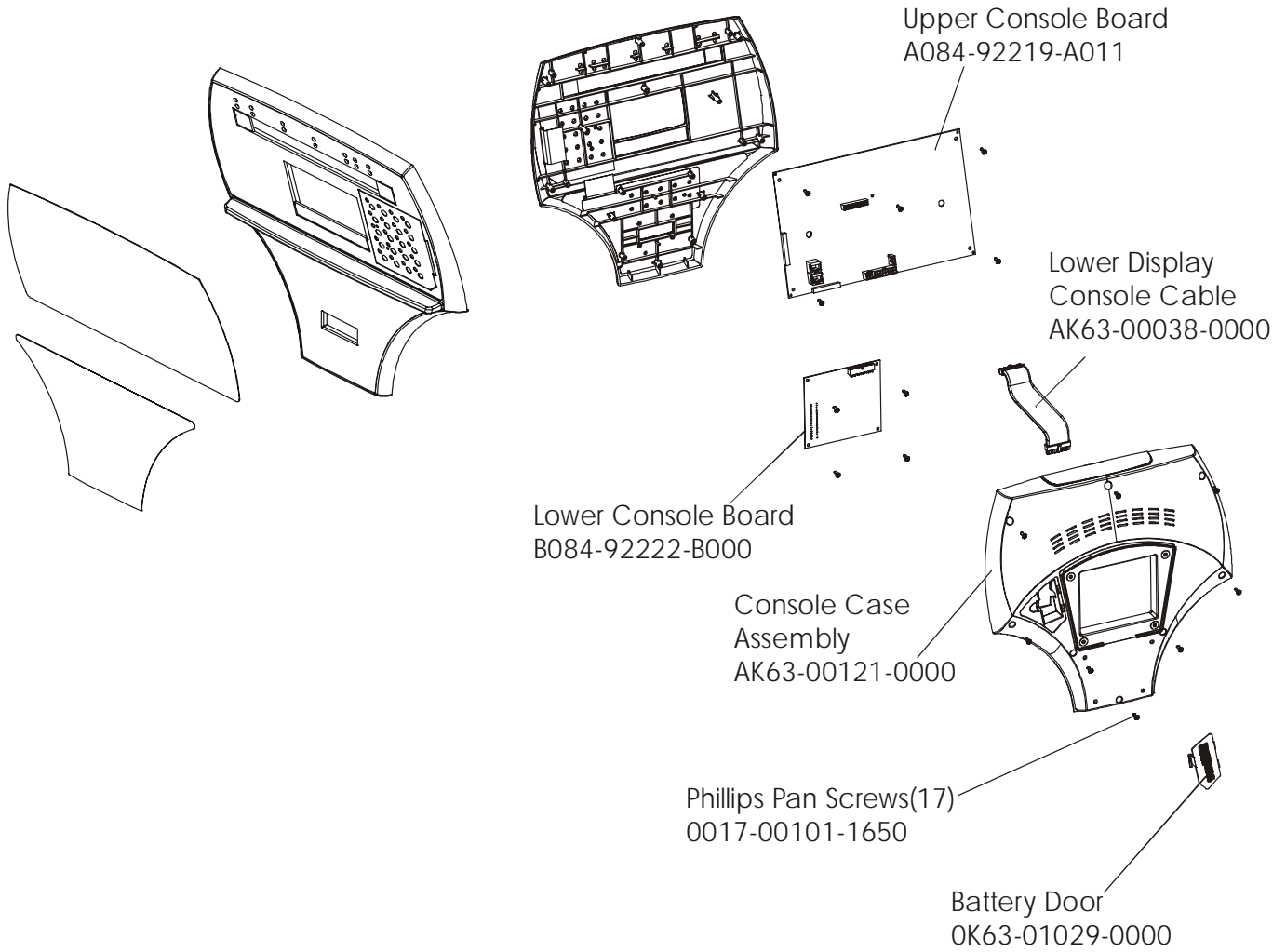
**95CXXL-0000, -0100, -0601-04**  
**SN CXL100000 and up**



Operation Manual – ( ENG )	M051-00K63-A186
Operation Manual – ( F/S/P )	M051-00K63-A187
Operation Manual – ( G/D/I )	M051-00K63-A188
Operation Manual – ( JAP )	M051-00K63-A189
Service Manual	M051-00K39-A012
Polar Transmitter XS	AK40-00045-0003
Polar Transmitter MED	AK40-00045-0002
Polar Transmitter XL	AK40-00045-0004
Optional Power Plug-In Unit (Not a battery charger)	
Kit SERV Power 120/60	GK63-00002-0005
Kit SERV Power 220/50UK	GK63-00002-0039
Kit SERV Power 240UK	GK63-00002-0040
Kit SERV Power 220/50CON	GK63-00002-0041

**LifeCycle 95CXXL  
Console Overlay Bezel Assembly**

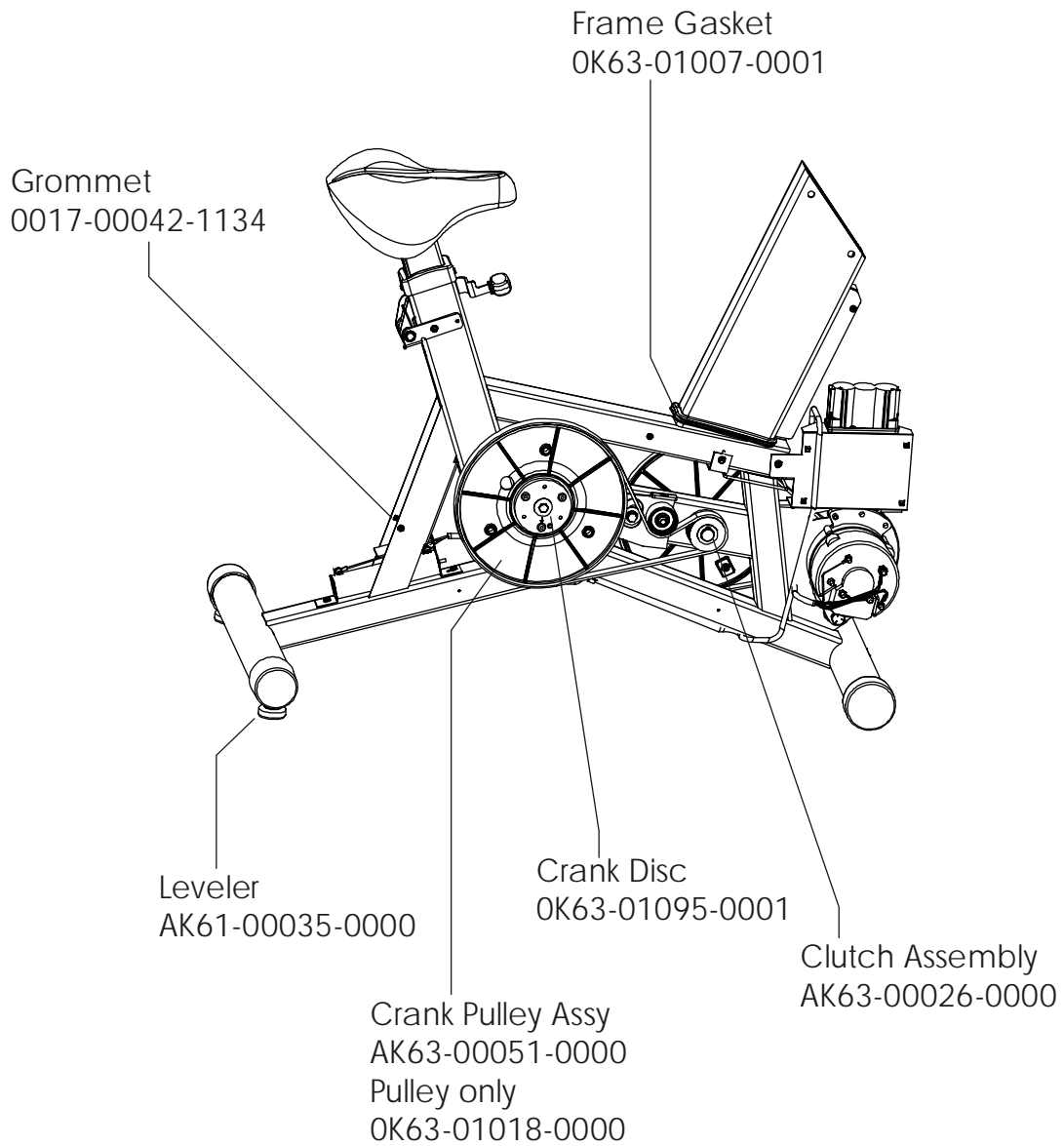
**95CXXL-0000, -0100, -0601-04  
SN CXL100000 and up**



Console Assembly	Bezel/Switch w/Overlay
AK63-00141-0001 Eng Met	AK63-00142-0001 Eng Met
AK63-00141-0009 Dut Met	AK63-00142-0009 Dut Met

**LifeCycle 95CXXL**  
**Final Frame Assembly**

**95CXXL-0000, -0100, -0601-04**  
**SN CXL100000 and up**

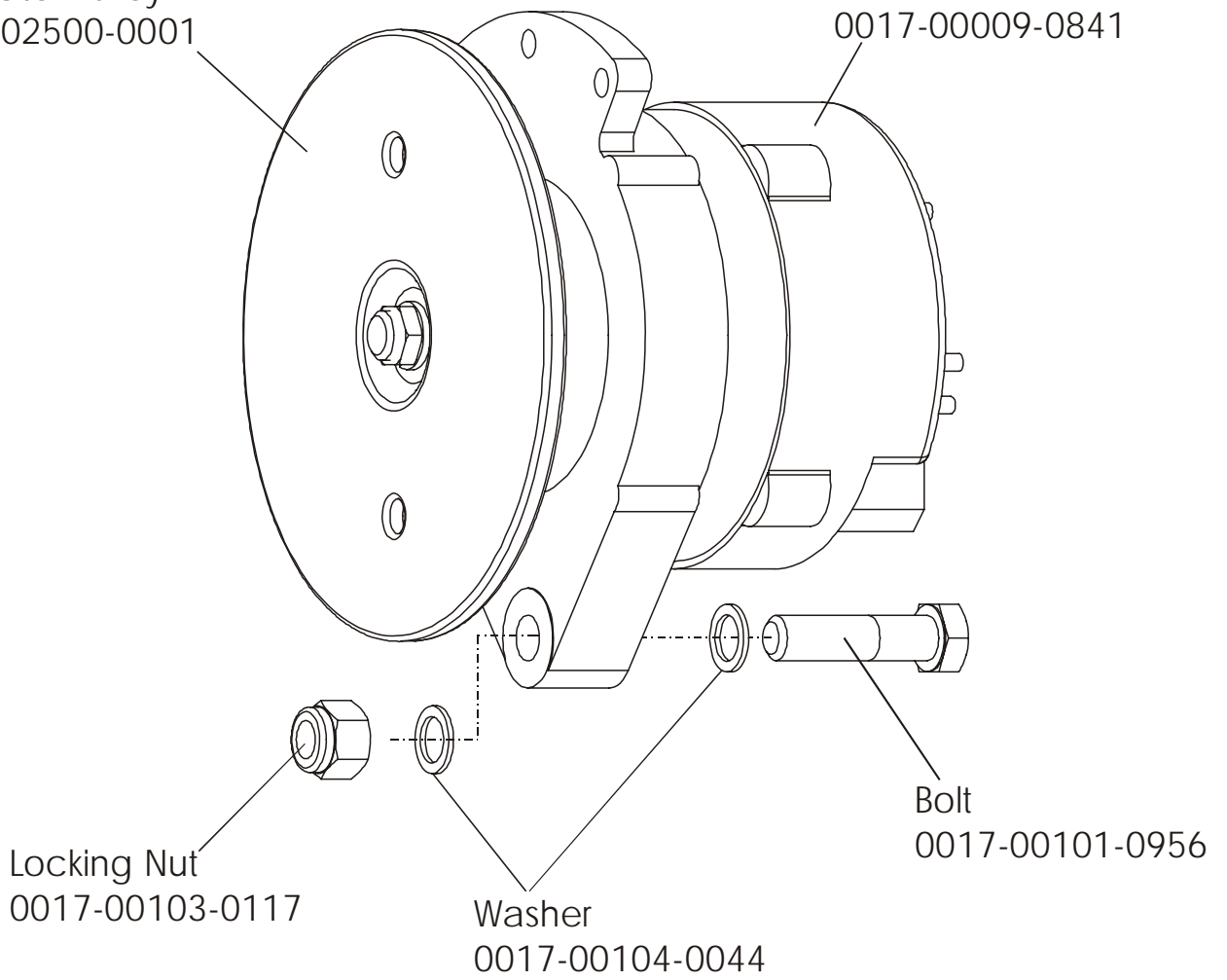


**LifeCycle 95CXXL**  
**Alternator w/Pulley - AK63-00093-0000**

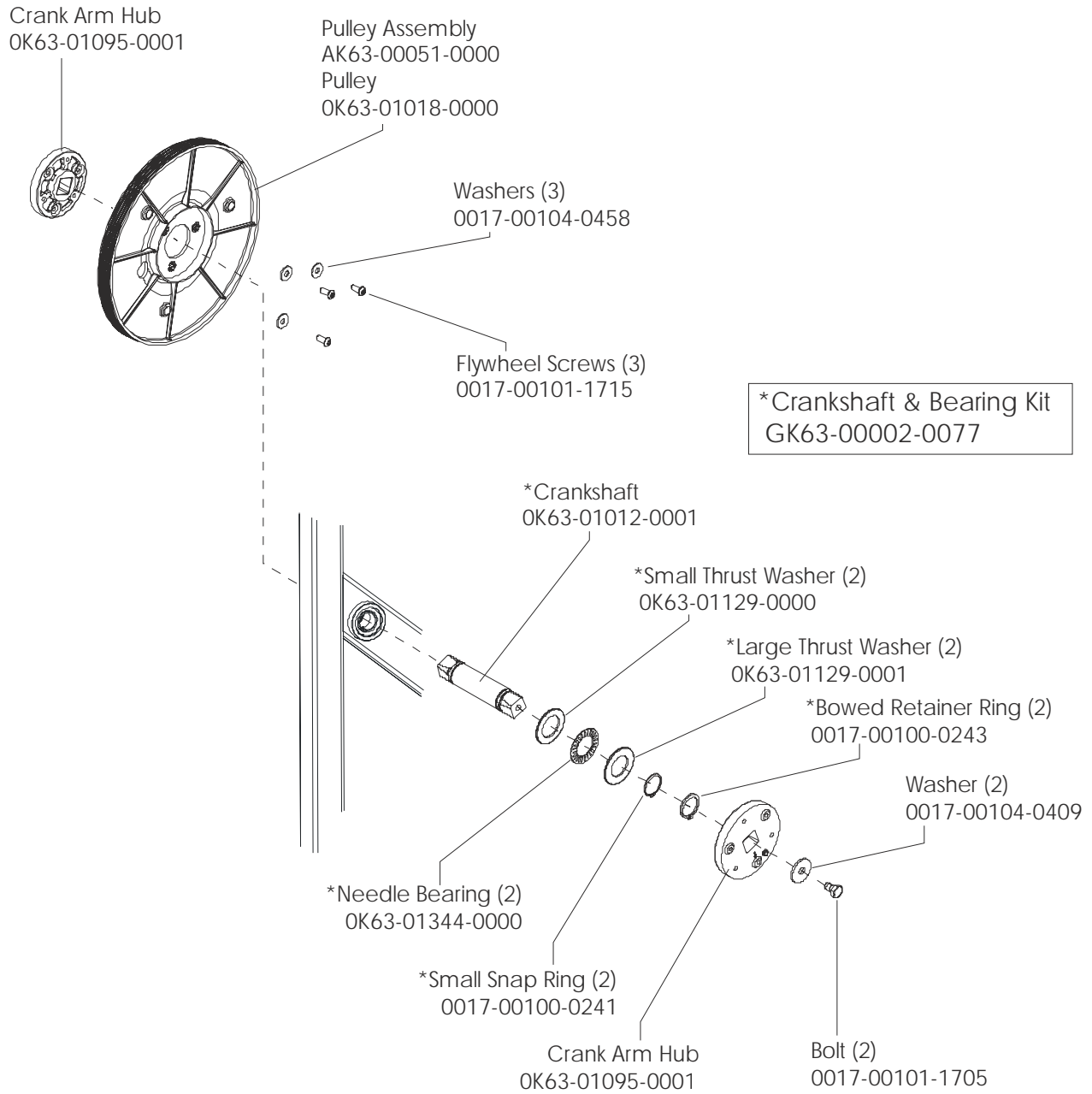
**95CXXL-0000, -0100, -0601-04**  
**SN CXL100000 and up**

Alternator Pulley  
OK61-02500-0001

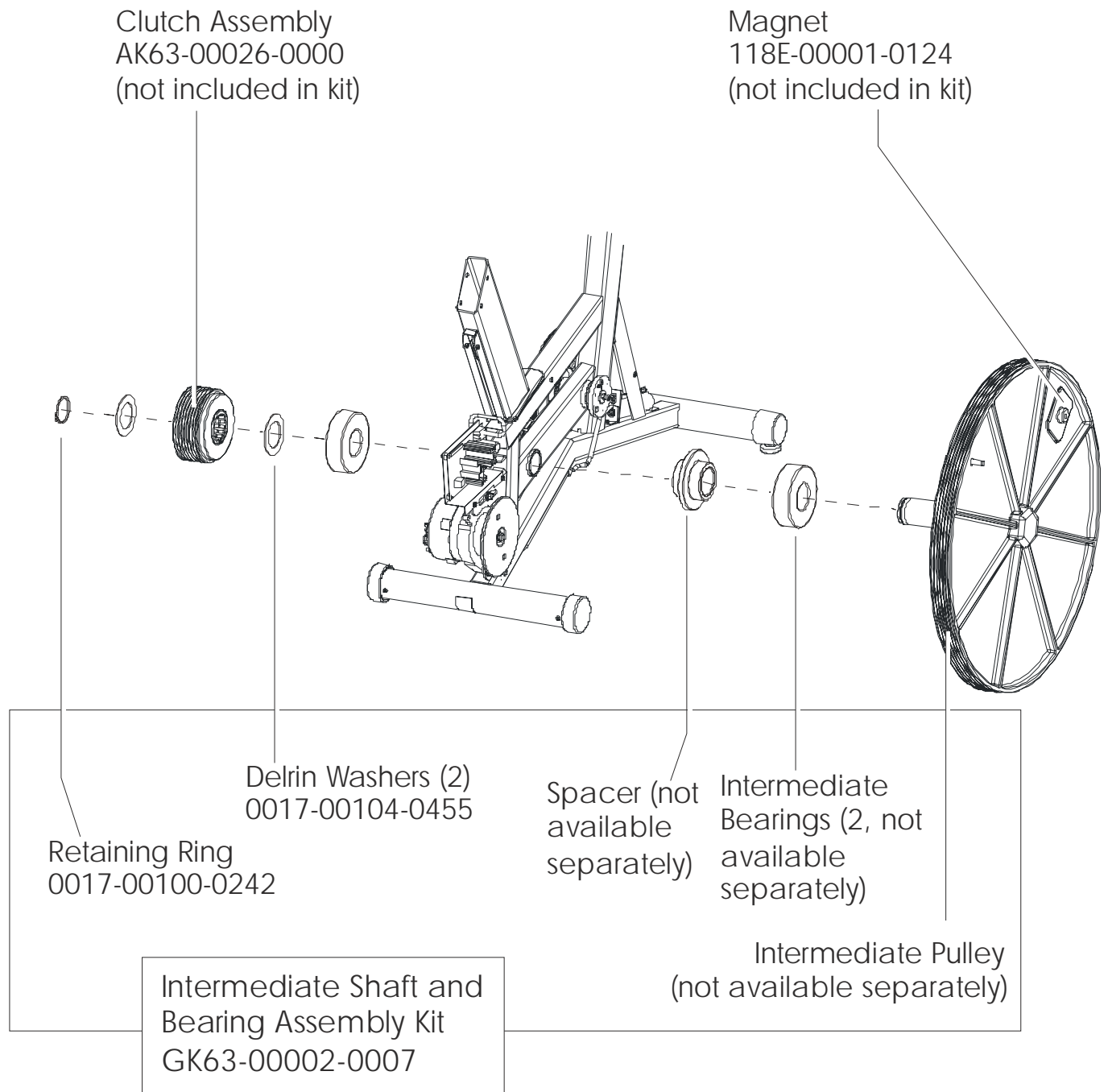
Alternator  
0017-00009-0841



**Crank Shaft and Crank Bearing Assembly**



**Intermediate Shaft and Bearing Assembly – GK63-00002-0007**

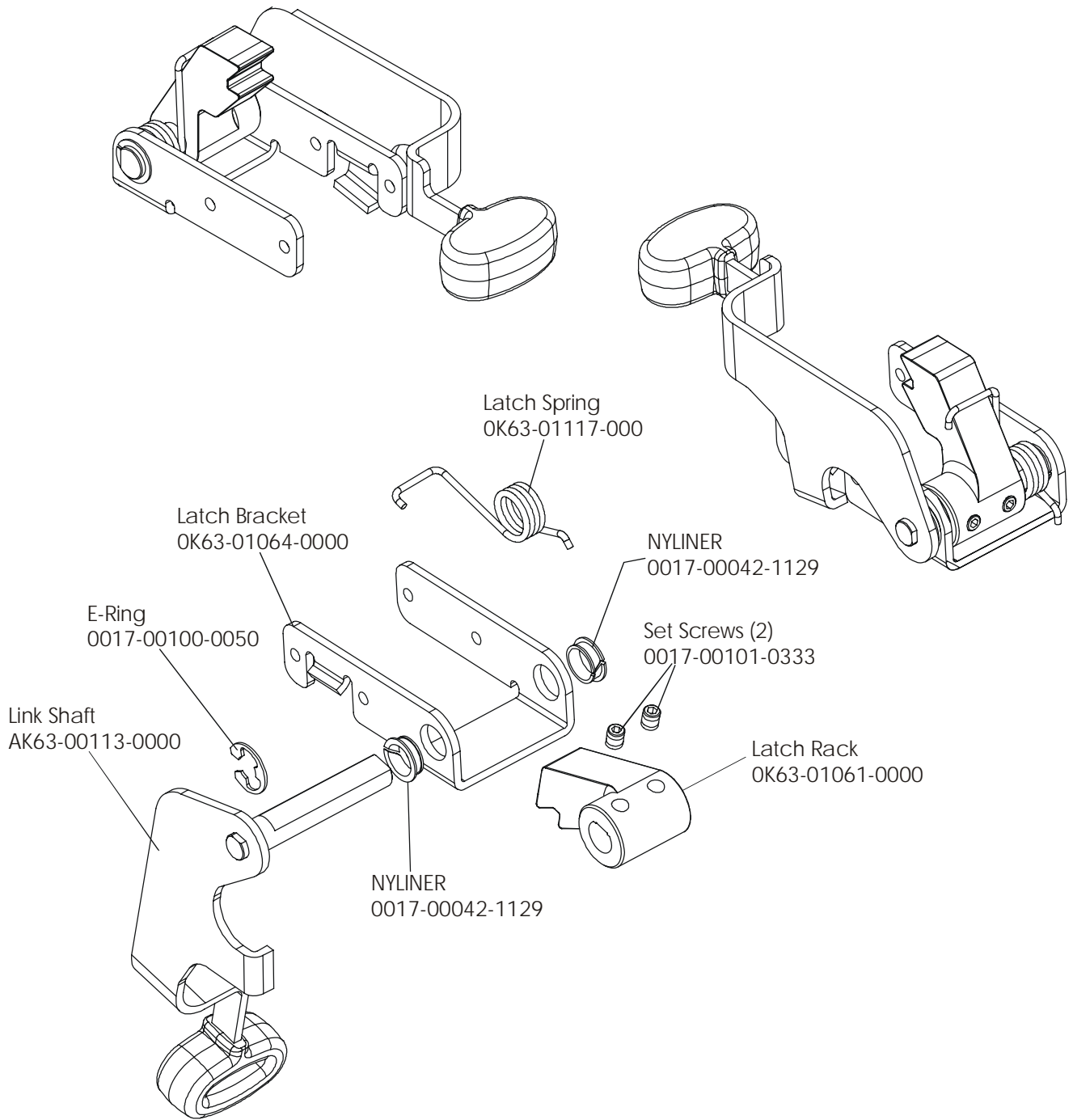


**LifeCycle 95CXXL**

**Seat Latch Assembly - AK63-00043-0000**

**95CXXL-0000, -0100, -0601-04**

**SN CXL100000 and up**

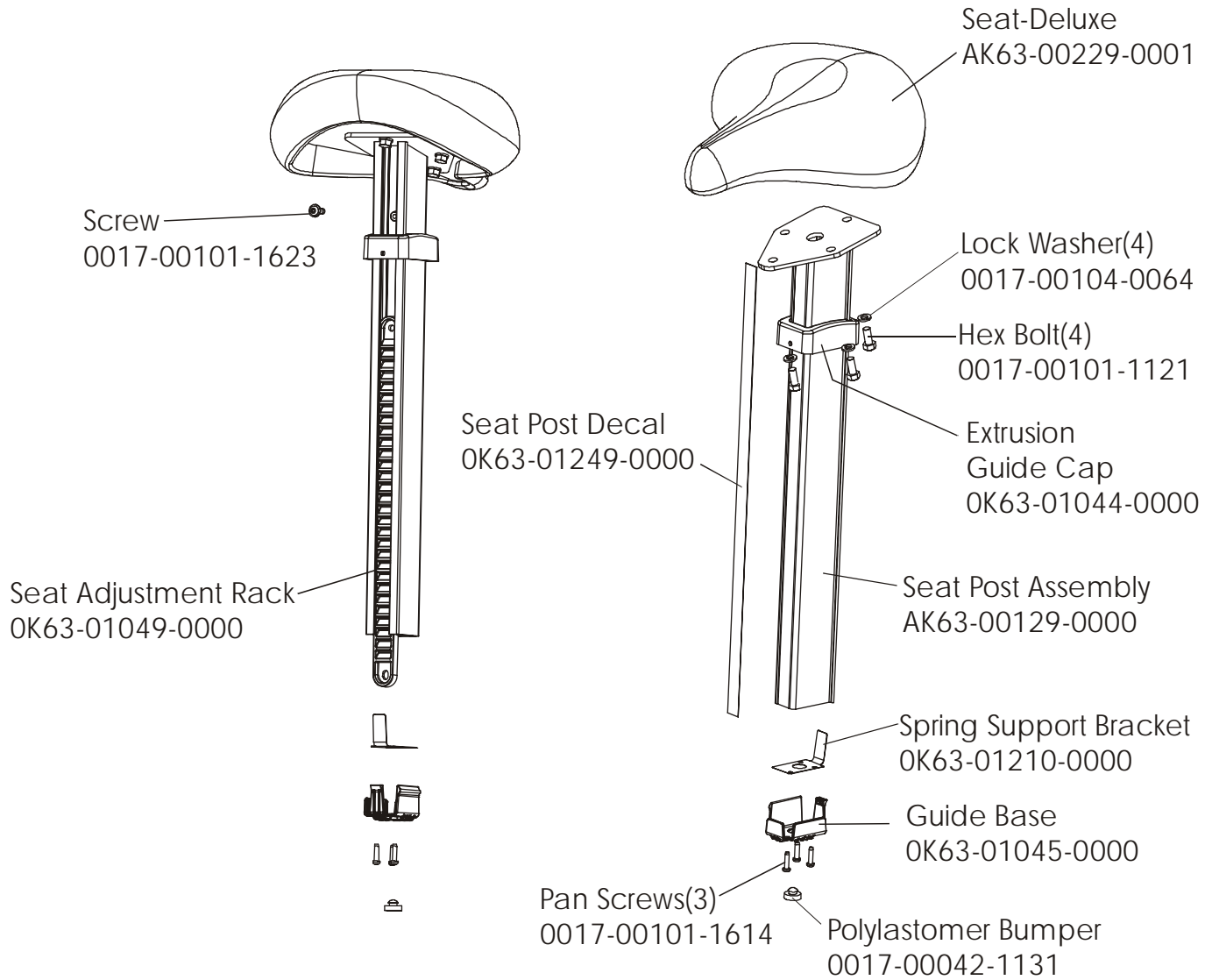


**LifeCycle 95CXXL**

**Seat Post Assembly - AK63-00134-0000**

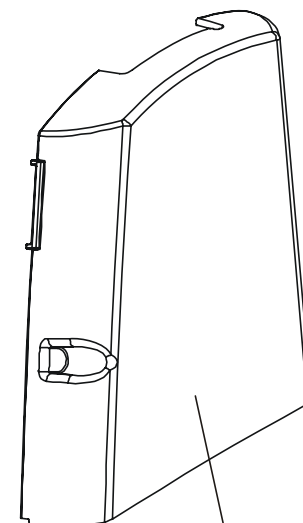
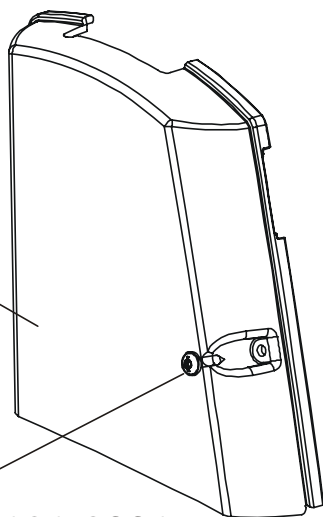
**95CXXL-0000, -0100, -0601-04**

**SN CXL100000 and up**

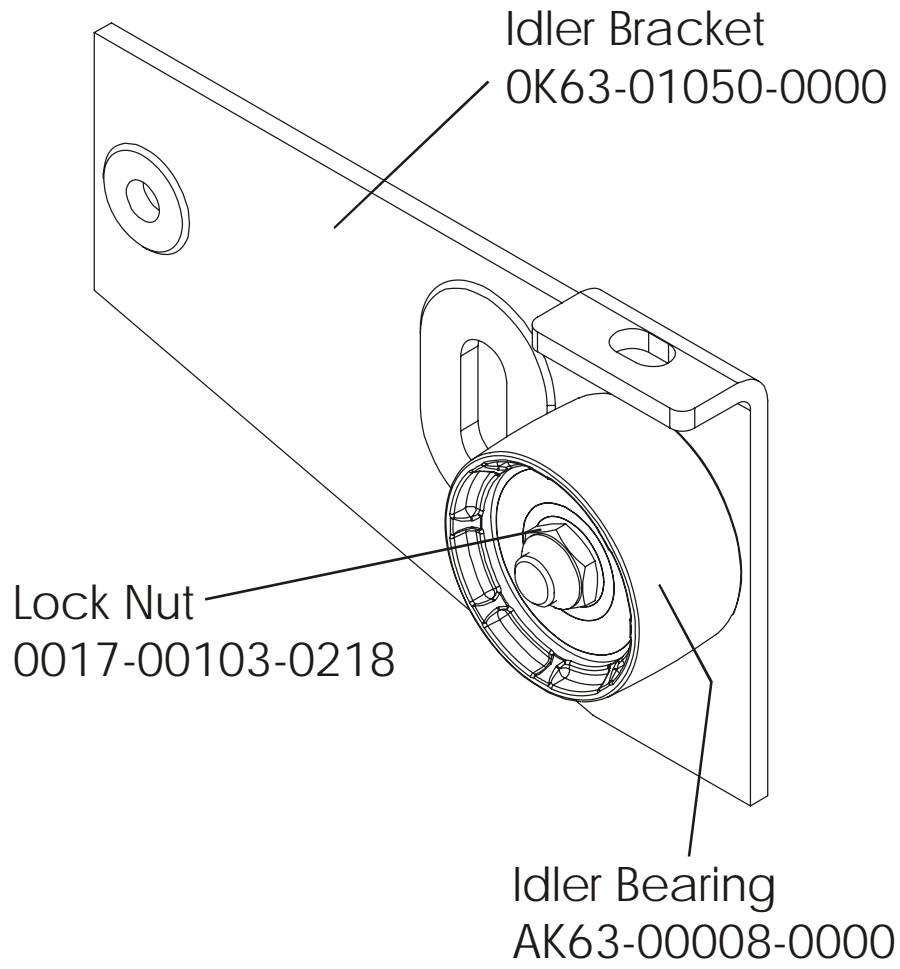


Left Seat Post Shroud  
OK63-01092-0006

Screw  
0017-00101-0991



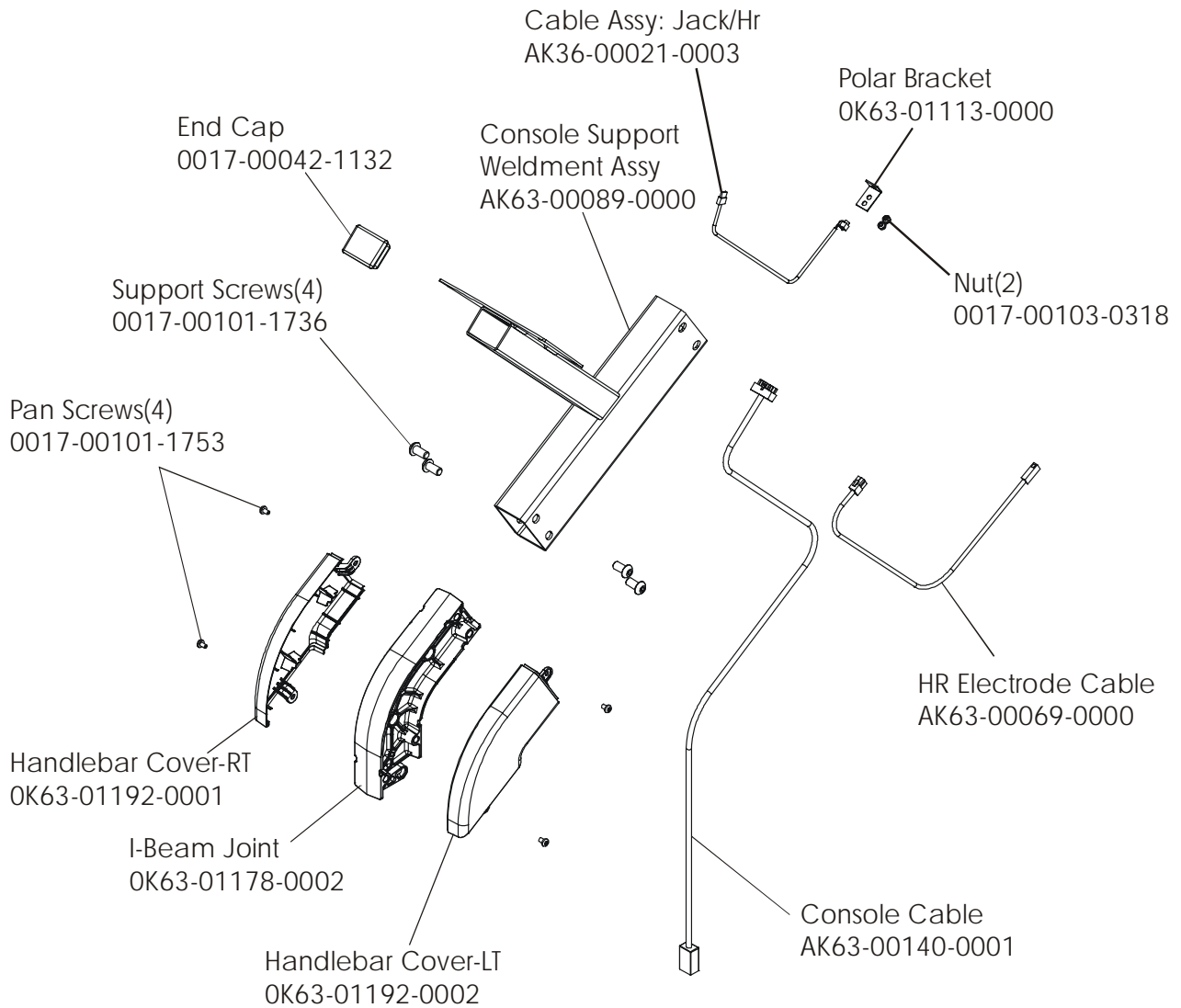
Right Seat Post Shroud  
OK63-01092-0005



**LifeCycle 95CXXL**

**95CXXL-0000, -0100, -0601-04**

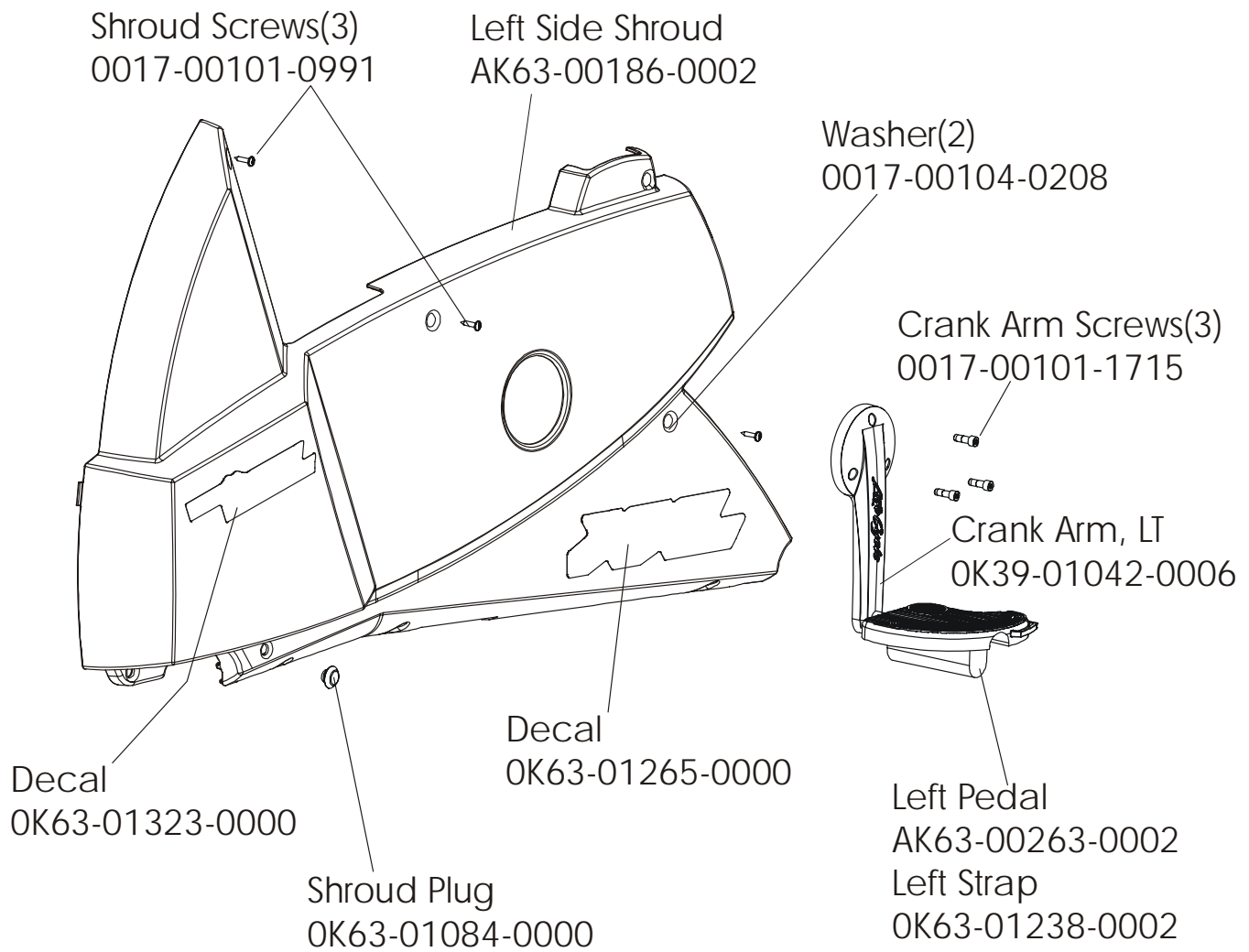
**Console Support Assembly - AK63-00233-0005 SN CXL100000 and up**



Note: GK63-00139-0000 Kit includes all parts above.

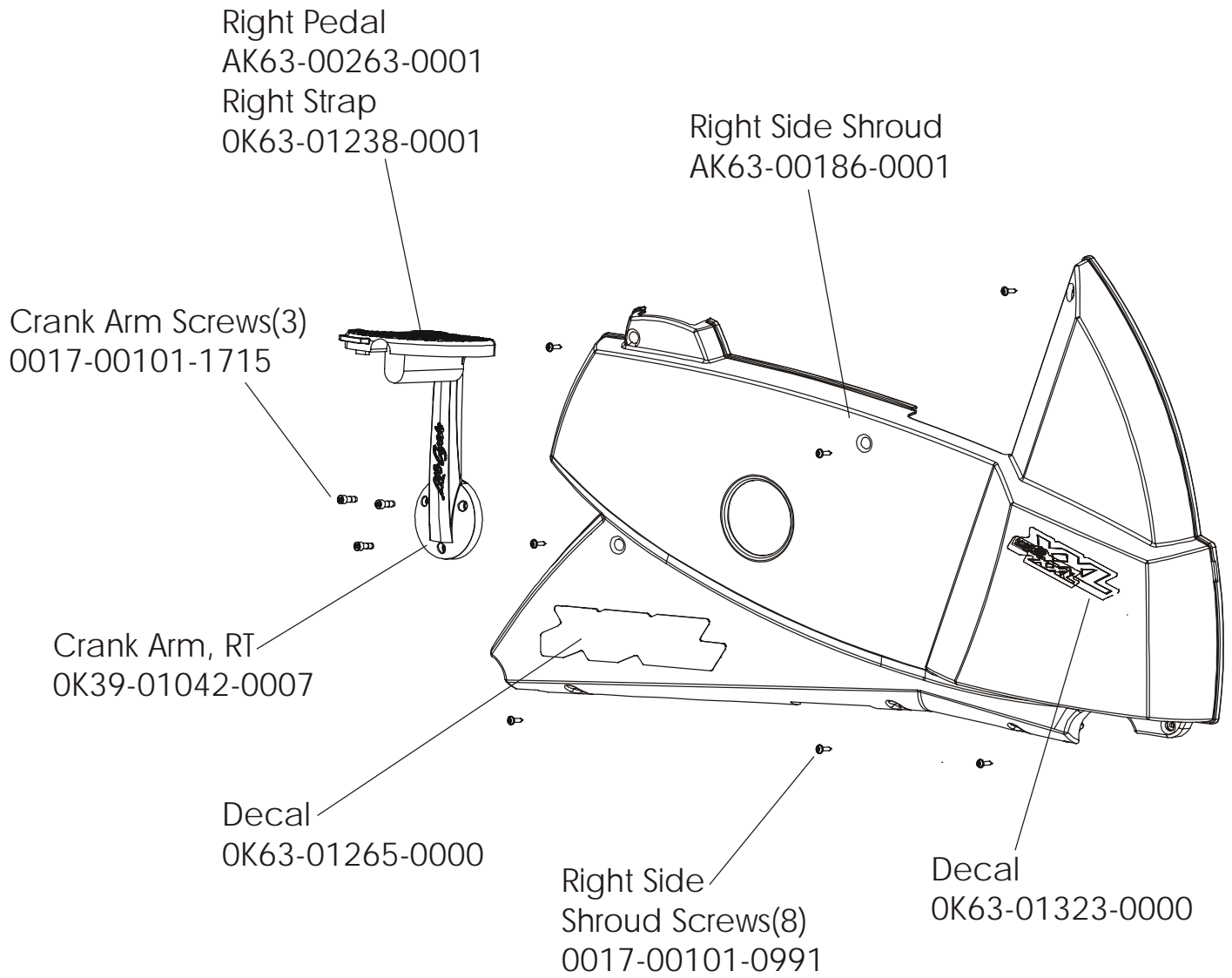
**LifeCycle 95CXXL**  
**Left Side Shroud and Crankarm**

**95CXXL-0000, -0100, -0601-04**  
**SN CXL100000 and up**



**LifeCycle 95CXXL**  
**Right Side Shroud and Crankarm**

**95CXXL-0000, -0100, -0601-04**  
**SN CXL100000 and up**

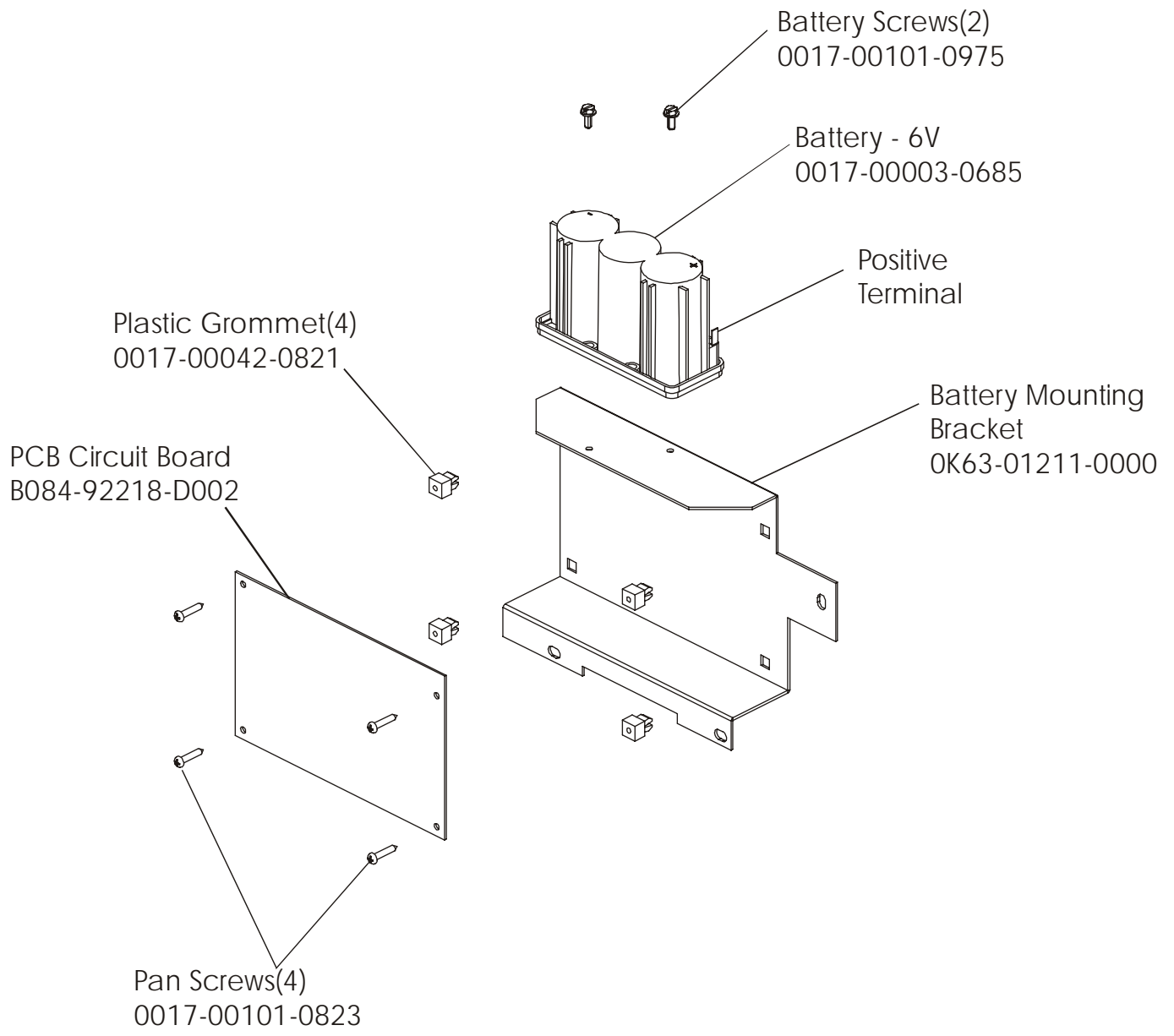


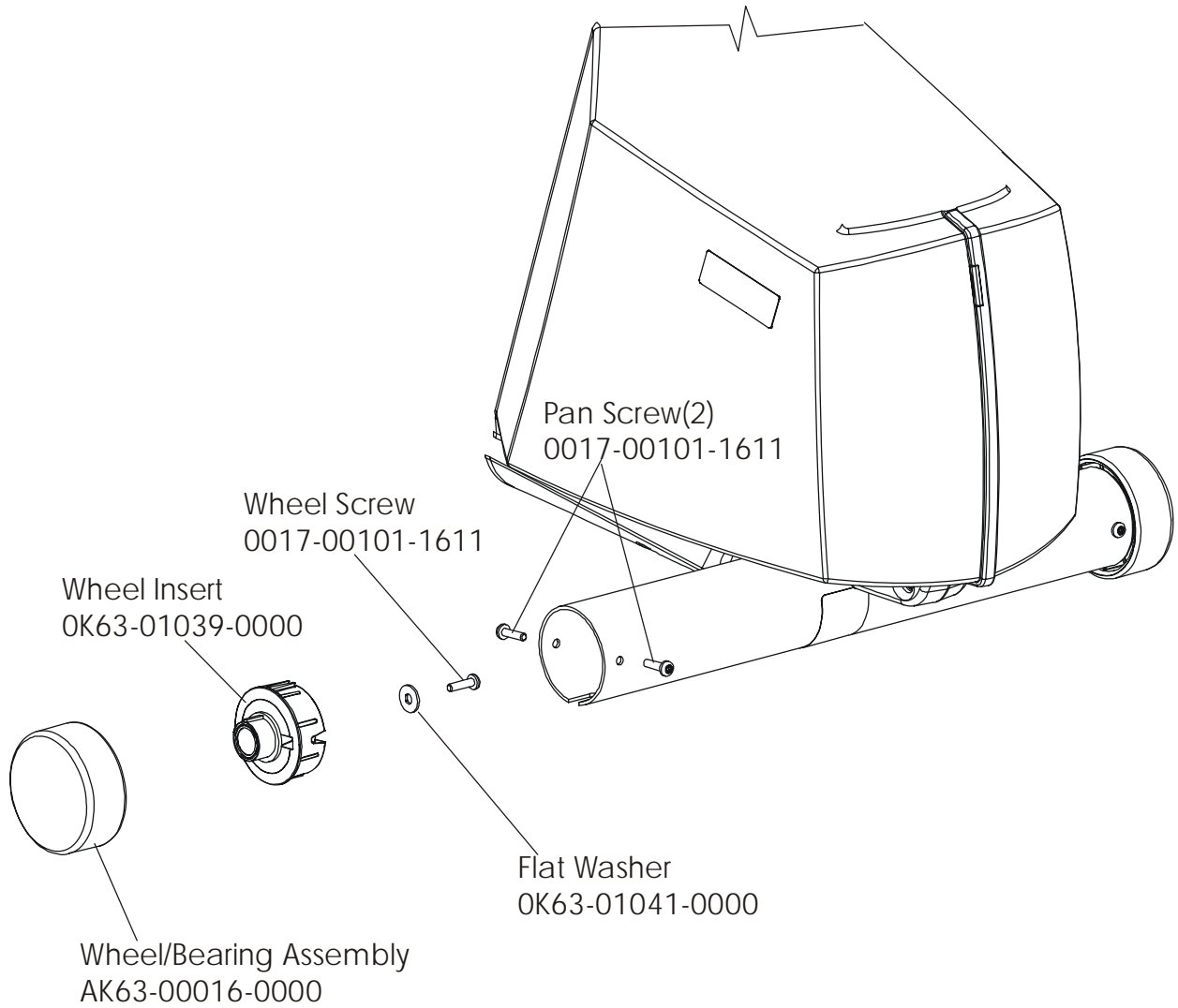
**LifeCycle 95CXXL**

**95CXXL-0000, -0100, -0601-04**

**P.C.B. Mounting Bracket Assembly – AK63-00049-0000**

---



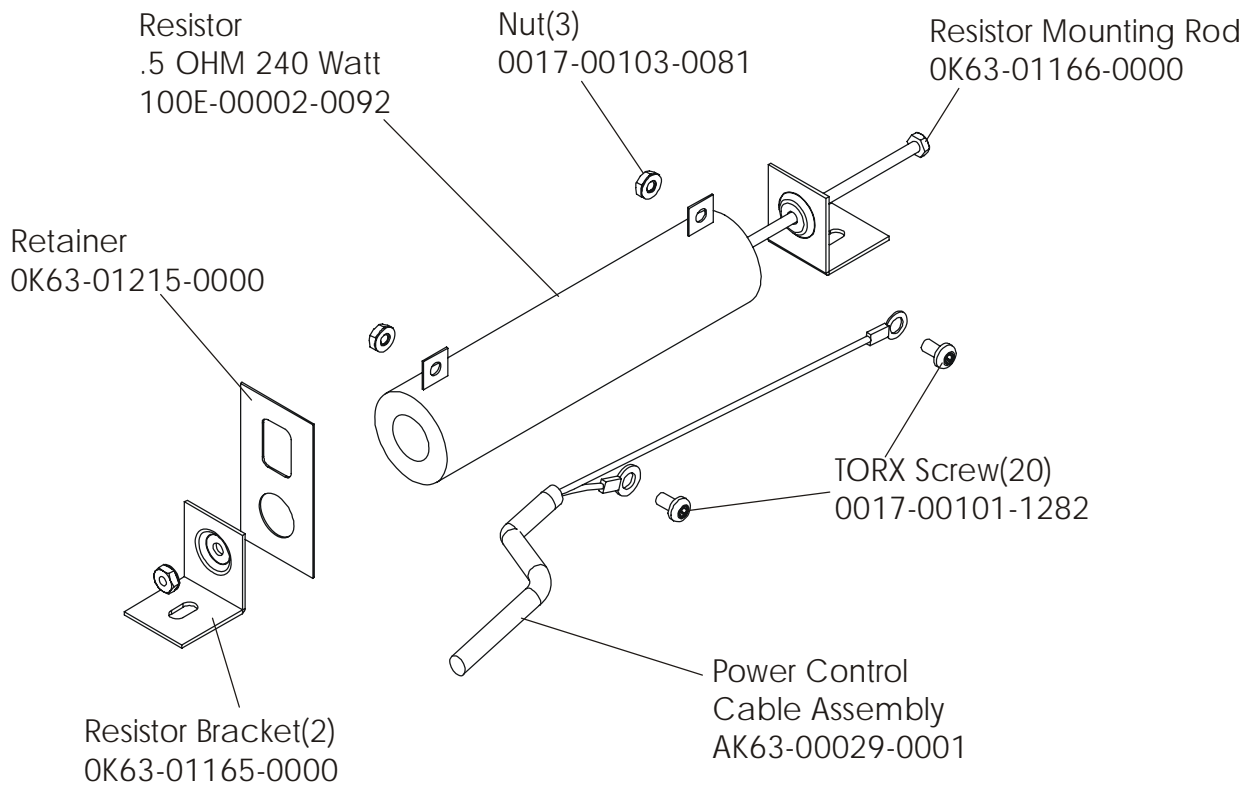


Note: AK63-00017-0000 Assembly includes all parts above.

I

**LifeCycle 95CXXL**  
**Resistor Assembly – AK63-00047-0001**

**95CXXL-0000, -0100, -0601-04**  
**SN CXL100000 and up**

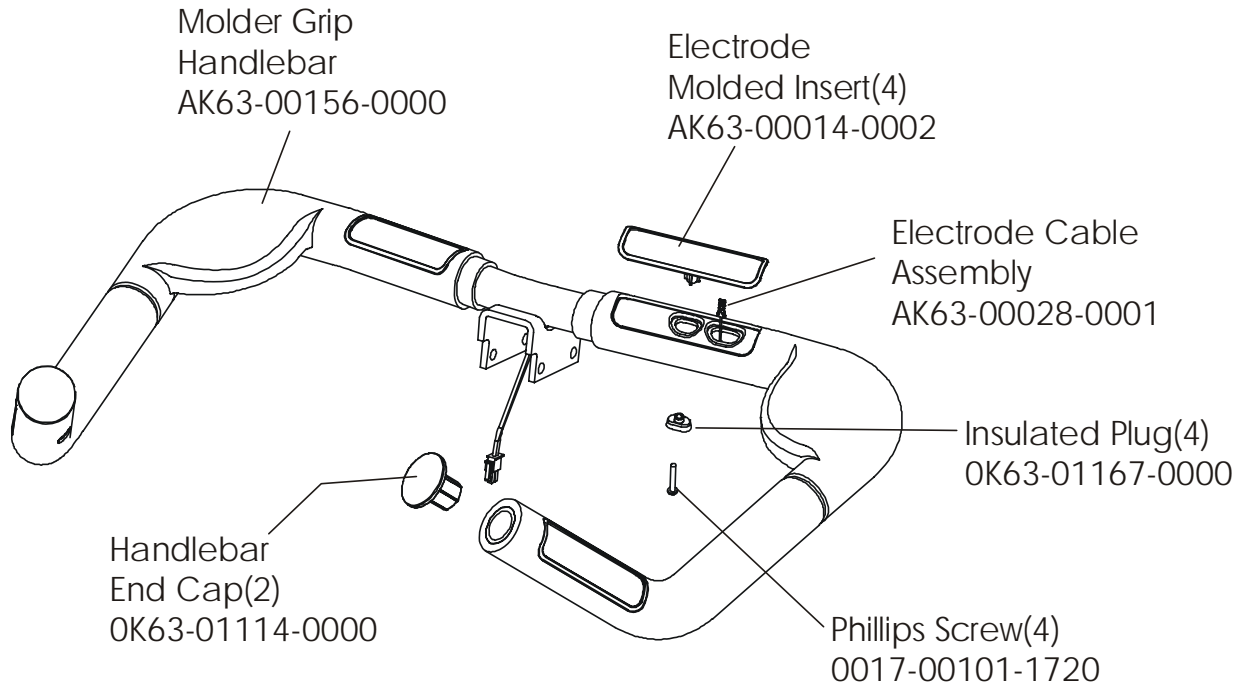


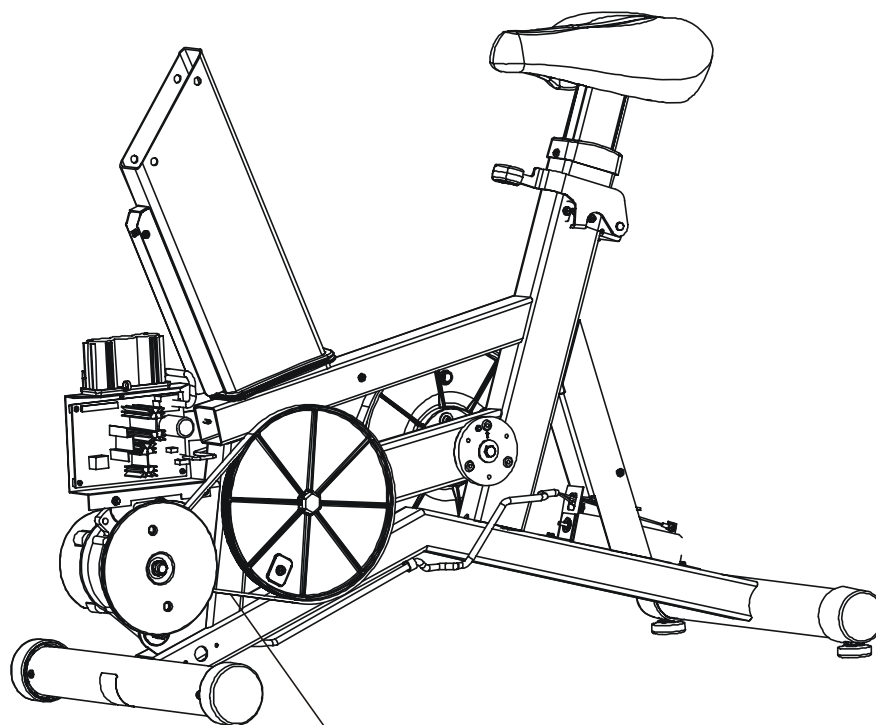
Note: AK63-00047-0001 Assembly includes all parts shown.

**LifeCycle 95CXXL**  
**Handlebar Assembly - AK63-00091-0000**

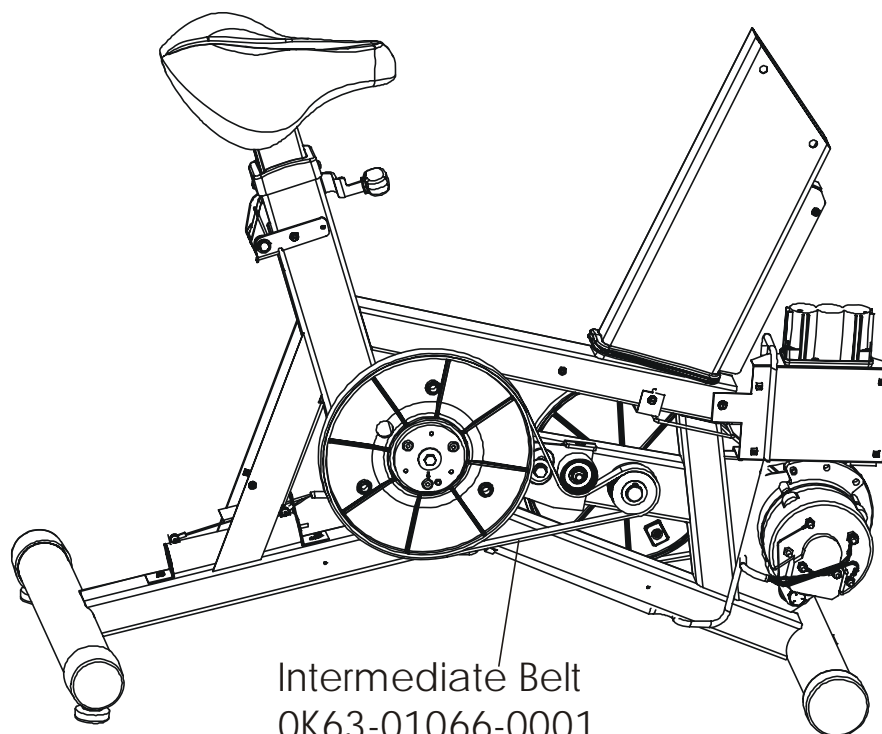
**95CXXL-0000, -0100, -0601-04**  
**SN CXL100000 and up**

Note: AK63-00091-0000 Assembly includes all parts above.





Alternator Belt  
OK63-01065-0000



Intermediate Belt  
OK63-01066-0001

