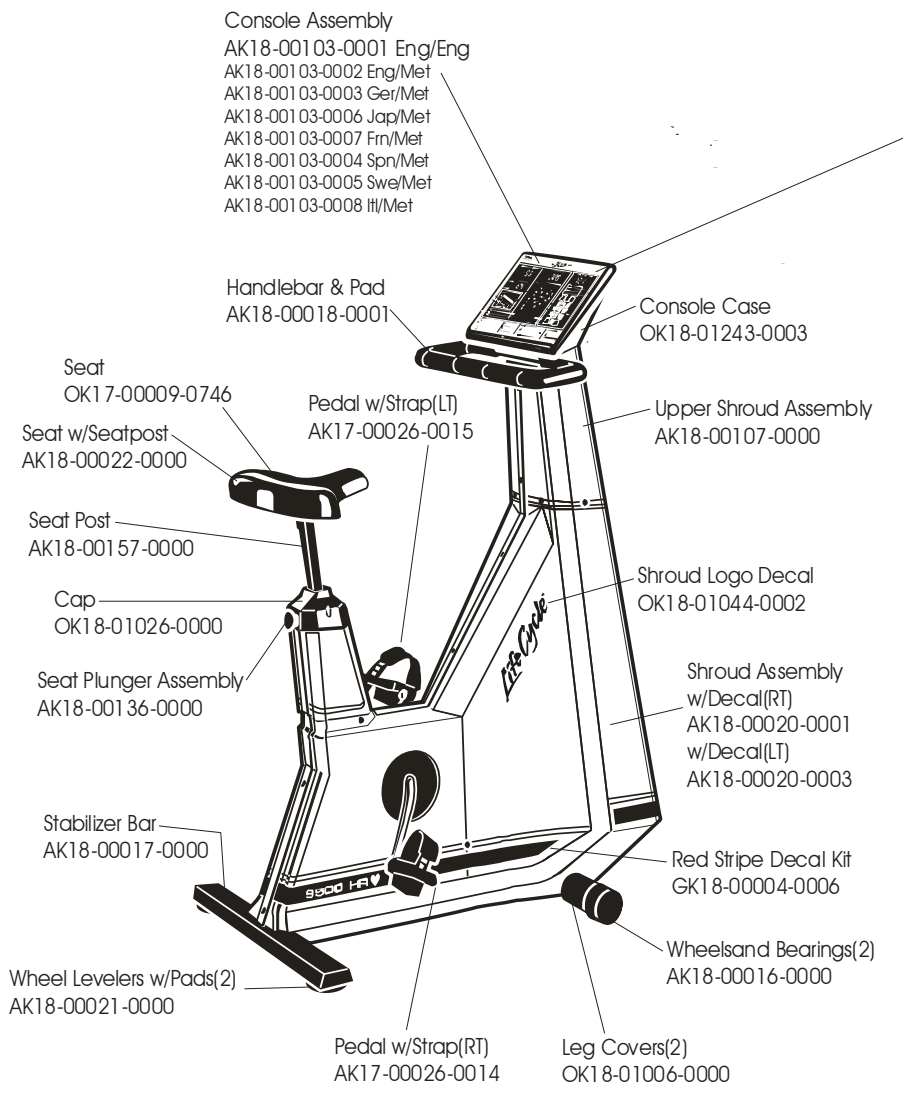


# 9500 LC- EXERCISE BIKE

**GK18-00008-XXXX**  
SN# 451-475, 149744-150042, 150284-150416

END OF LIFE



Overlay Bezel  
AK18-00108-0001 Eng/En  
AK18-00108-0002 Eng/Met  
AK18-00108-0003 Ger/Met  
AK18-00108-0006 Jap/Met  
AK18-00108-0007 Frn/Met  
AK18-00108-0004 Spn/Met  
AK18-00108-0005 Swe/Met  
AK18-00108-0008 Itl/Met

UNLABELED PARTS	
DESCRIPTION	PARTS NO.
CAP: SEAT-POST	OK18-01242-0000
CRANK-ARM/SPRDT ASSY: MFG. B	+AK18-00019-0000
NLA/DISCONT. – NC ALT-CNTRL ASSY: MFG	+AK18-000133-0000

# 9500 LC- EXERCISE BIKE

**GK18-00008-XXXX**  
**SN# 451-475, 149744-150042, 150284-150416**

