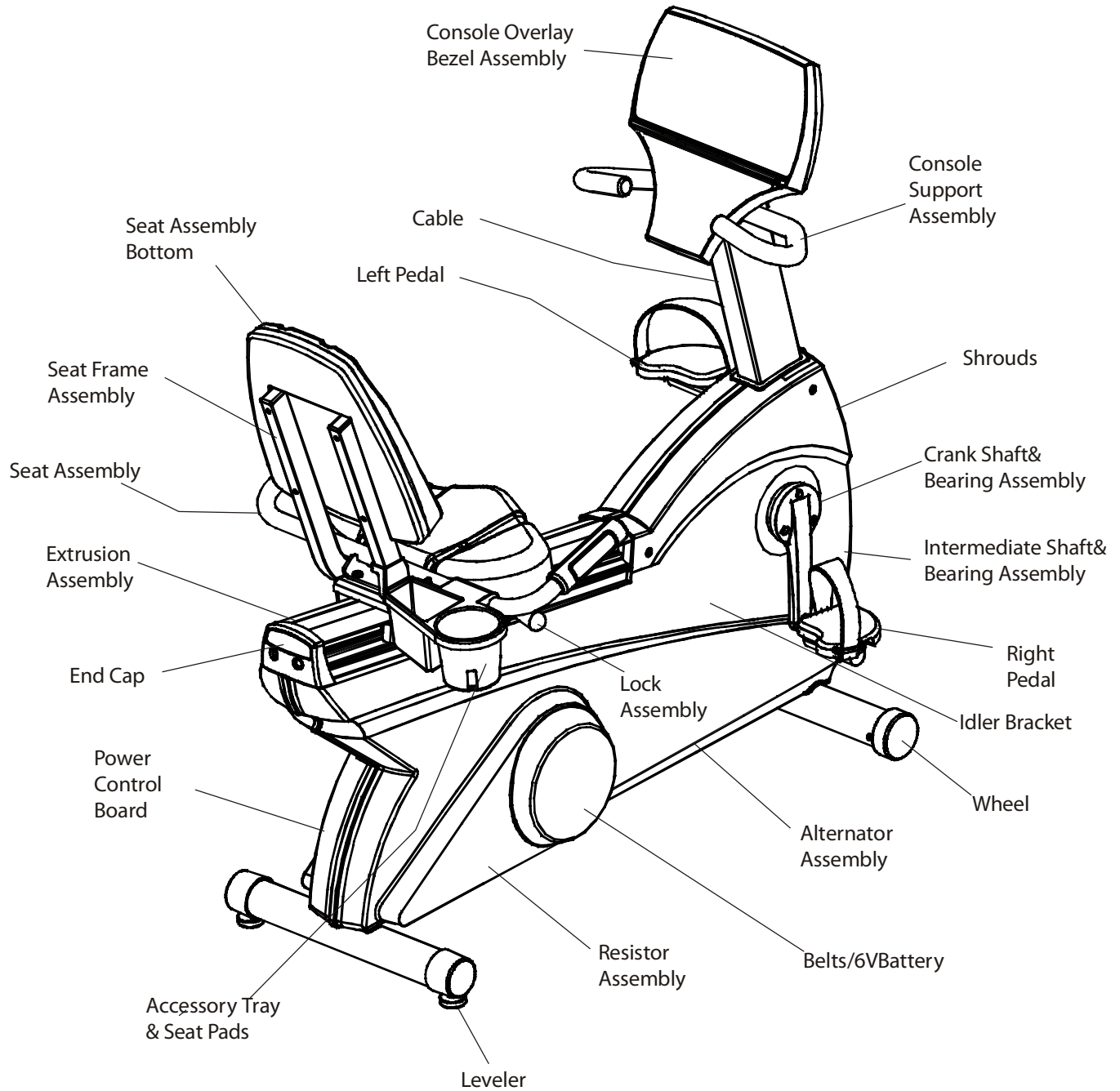
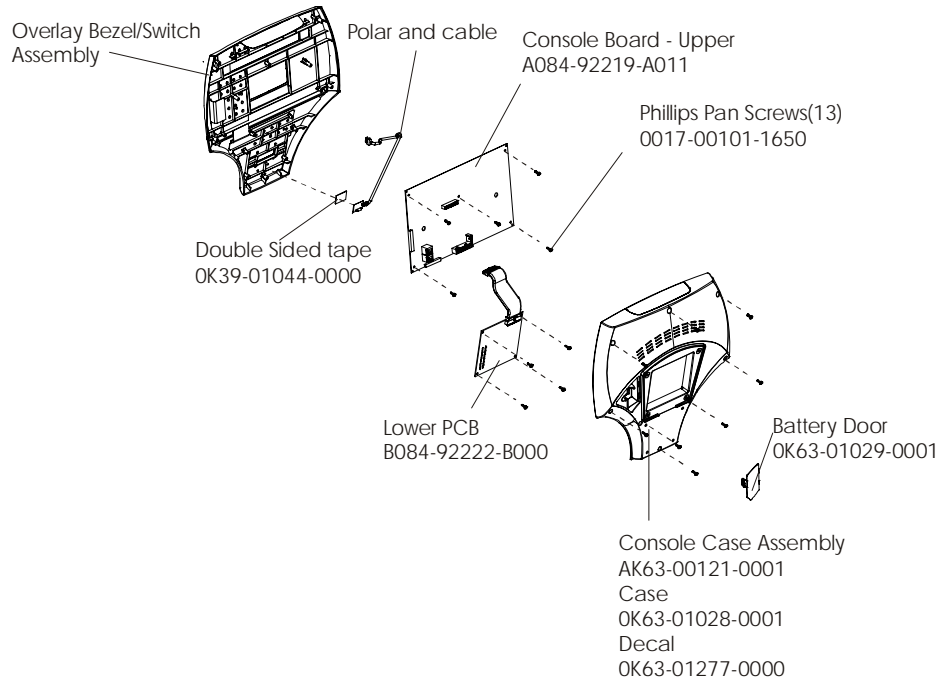


**Life Cycle 95R**  
**General Assembly**

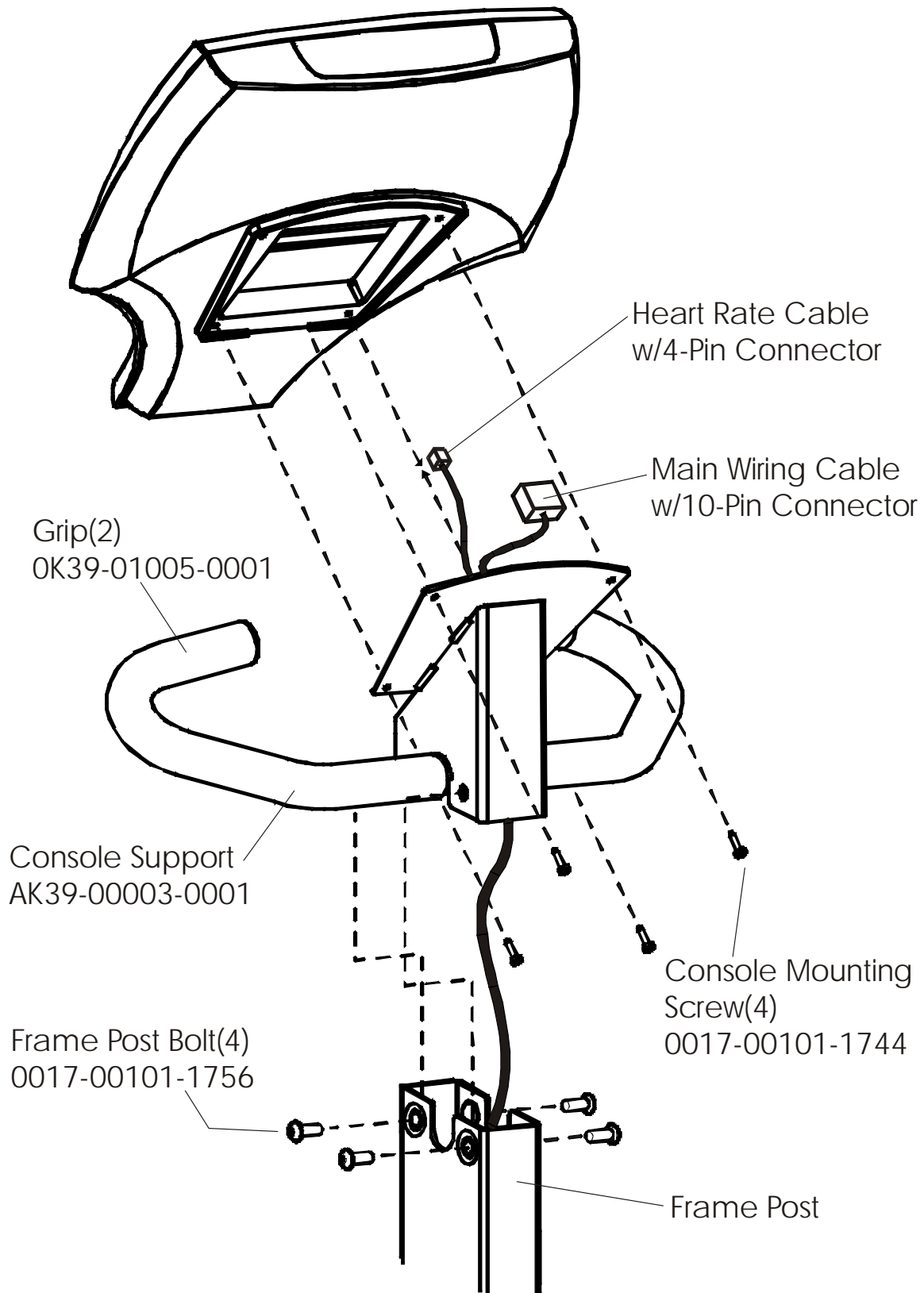
**95R-0XXX-01**  
**S/N LRI10001**



Description	Part Number
Service Manual	M051-00K39-A012
Operation Manual	M051-00K39-A016
Hardware Bag	GK39-00002-00008
Power Option Kit 120V	GK39-00002-00002
Power Option Kit 220/50V	GK39-00002-00004
Power Option Kit 240V+AUS	GK39-00002-00005
Power Option Kit 220/50V	GK39-00002-00006

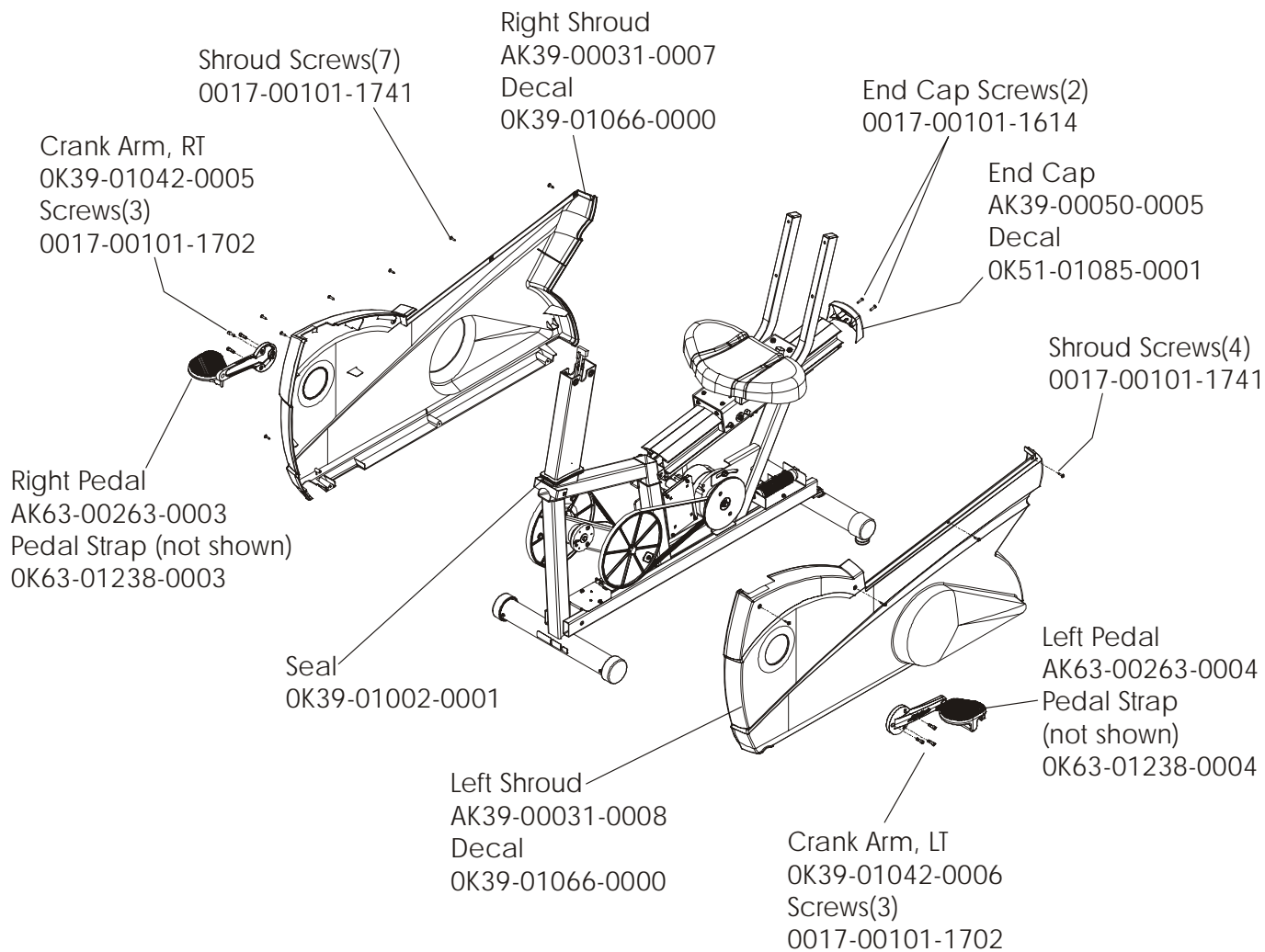


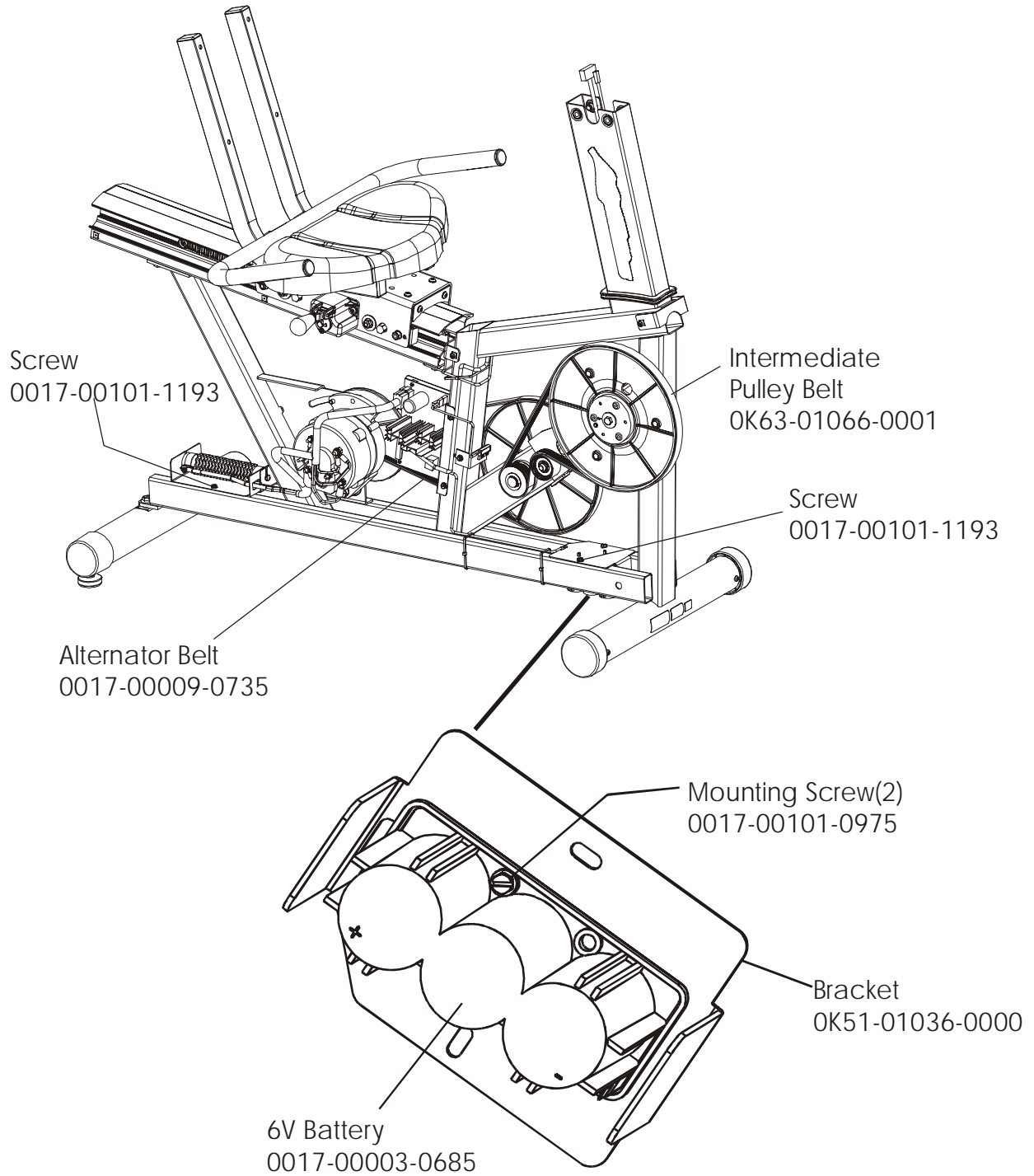
<b>Console Assembly</b>	<b>Overlay Bezel</b>
AK39-00070-0001 Eng Met	AK63-00165-0001 Eng Met
AK39-00070-0003 Ger Met	AK63-00165-0003 Ger Met
AK39-00070-0004 Spn Met	AK63-00165-0004 Spn Met
AK39-00070-0006 Jap Met	AK63-00165-0006 Jap Met
AK39-00070-0007 Frn Met	AK63-00165-0007 Frn Met
AK39-00070-0008 Itl Met	AK63-00165-0008 Itl Met
AK39-00070-0009 Dut Met	AK63-00165-0009 Itl Met
AK39-00070-0010 Por Met	AK63-00165-0010 Por Met

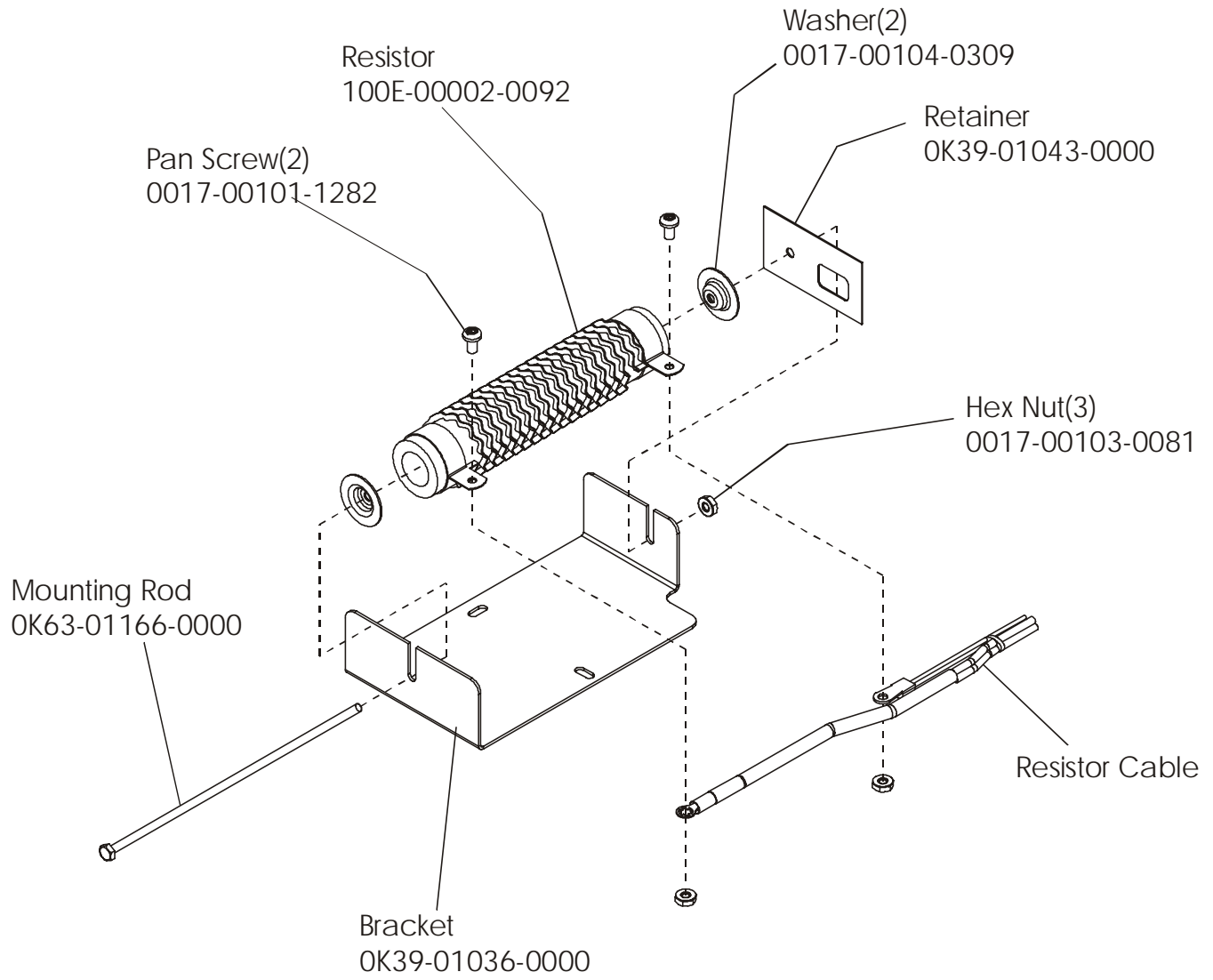


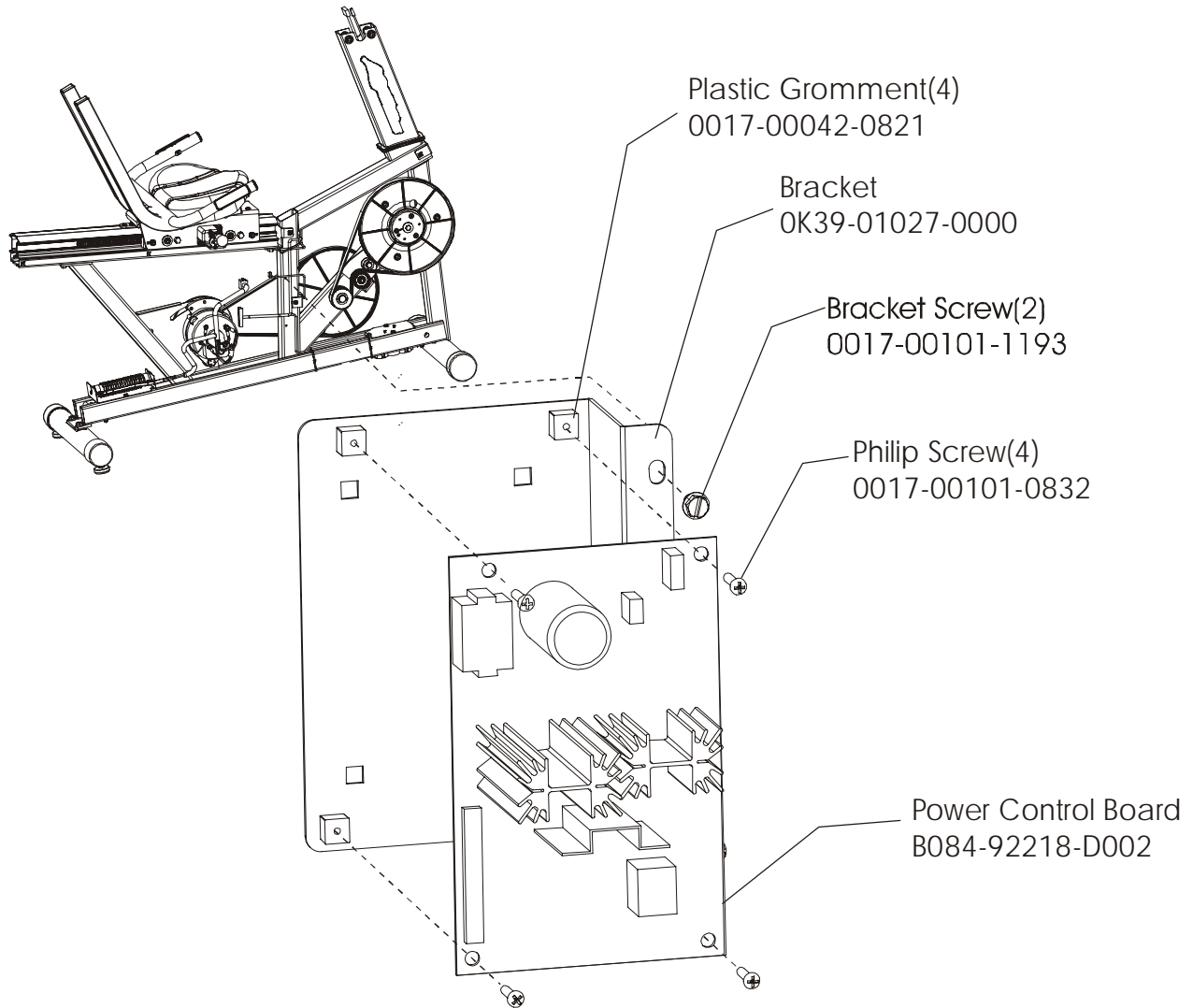
**Life Cycle 95R**  
**Shrouds, End Cap, Crank Arm**

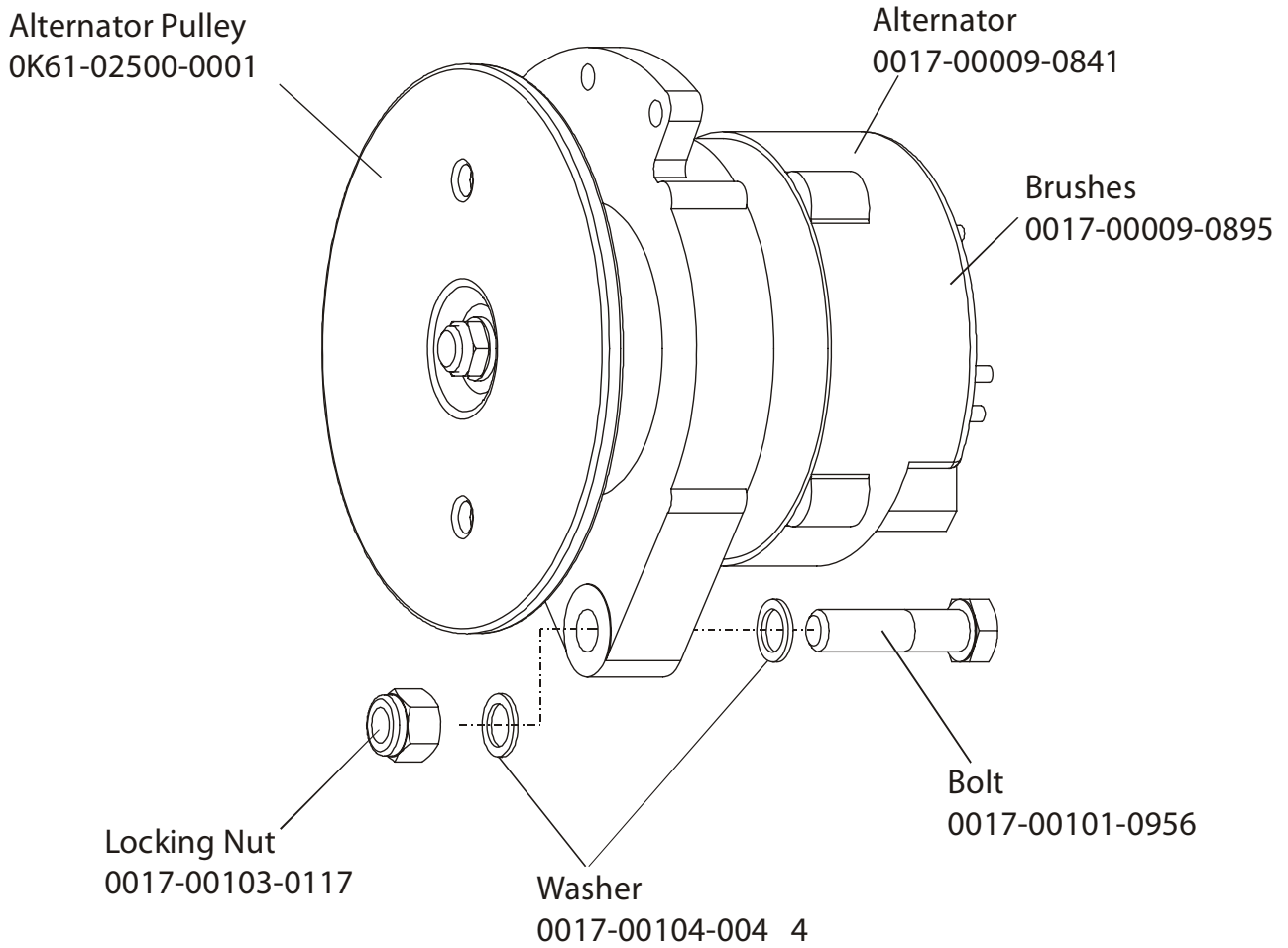
**95R-0XXX-01**  
**S/N LRI10001**





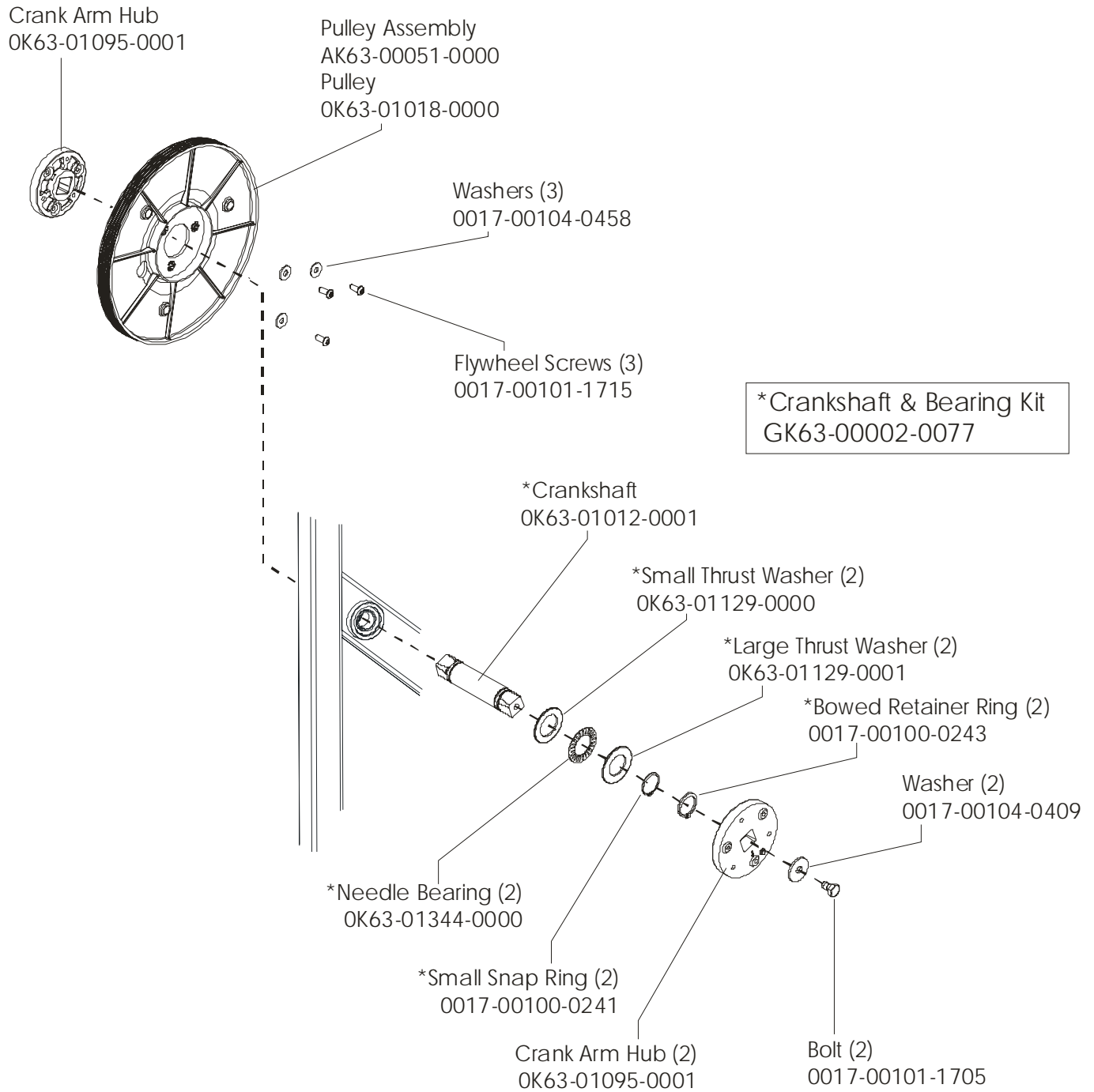






**Life Cycle 95R**  
**Crank Shaft and Bearing Assembly**

**95R-0XXX-01**  
**S/N LRI10001**

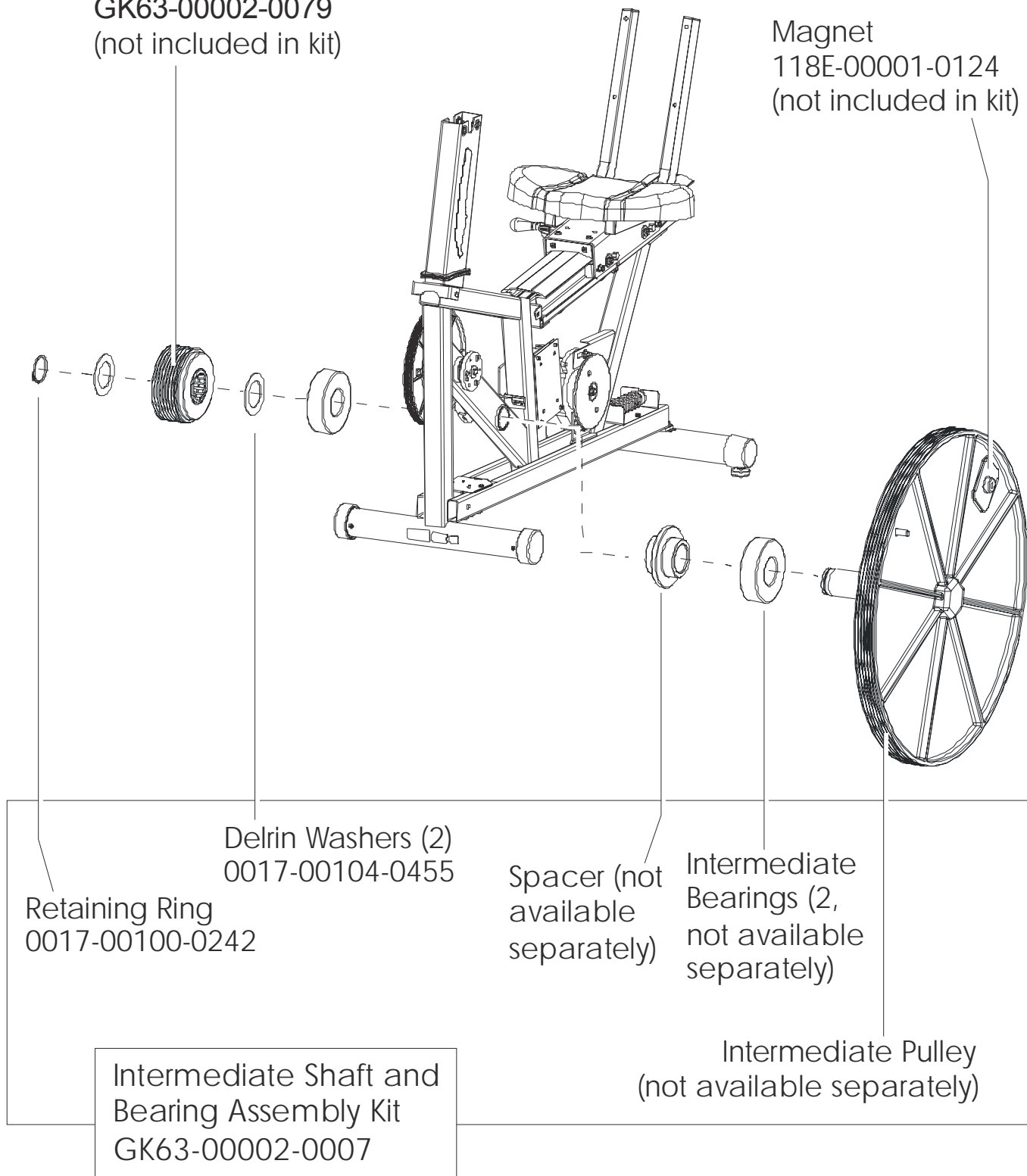


**Life Cycle 95R**  
**Intermediate Shaft and Bearing Assembly**

**95R-0XXX-01**  
**S/N LRI10001**

Clutch Assembly  
GK63-00002-0079  
(not included in kit)

Magnet  
118E-00001-0124  
(not included in kit)



Retaining Ring  
0017-00100-0242

Delrin Washers (2)  
0017-00104-0455

Spacer (not  
available  
separately)

Intermediate  
Bearings (2,  
not available  
separately)

Intermediate Pulley  
(not available separately)

Intermediate Shaft and  
Bearing Assembly Kit  
GK63-00002-0007

