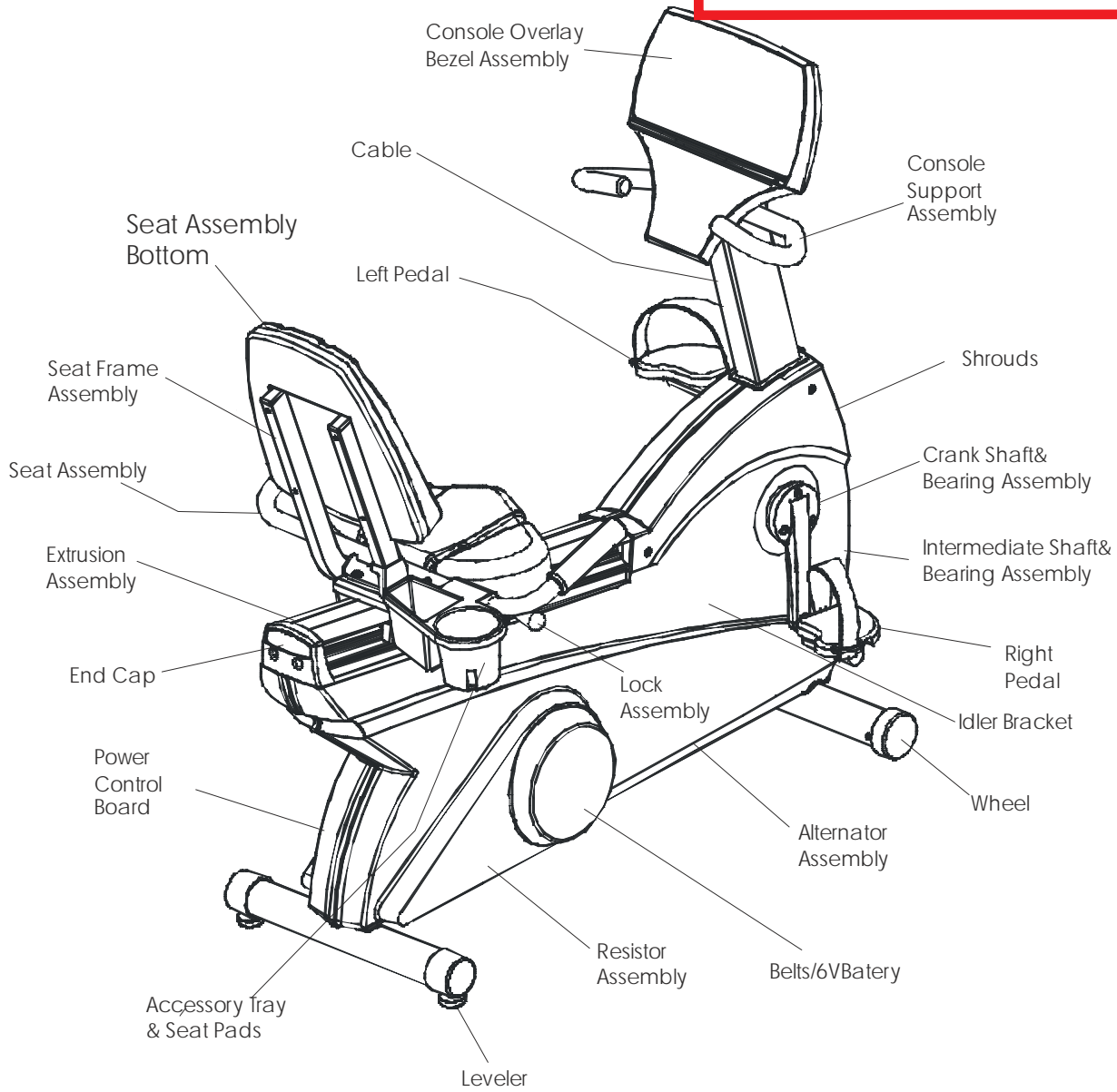
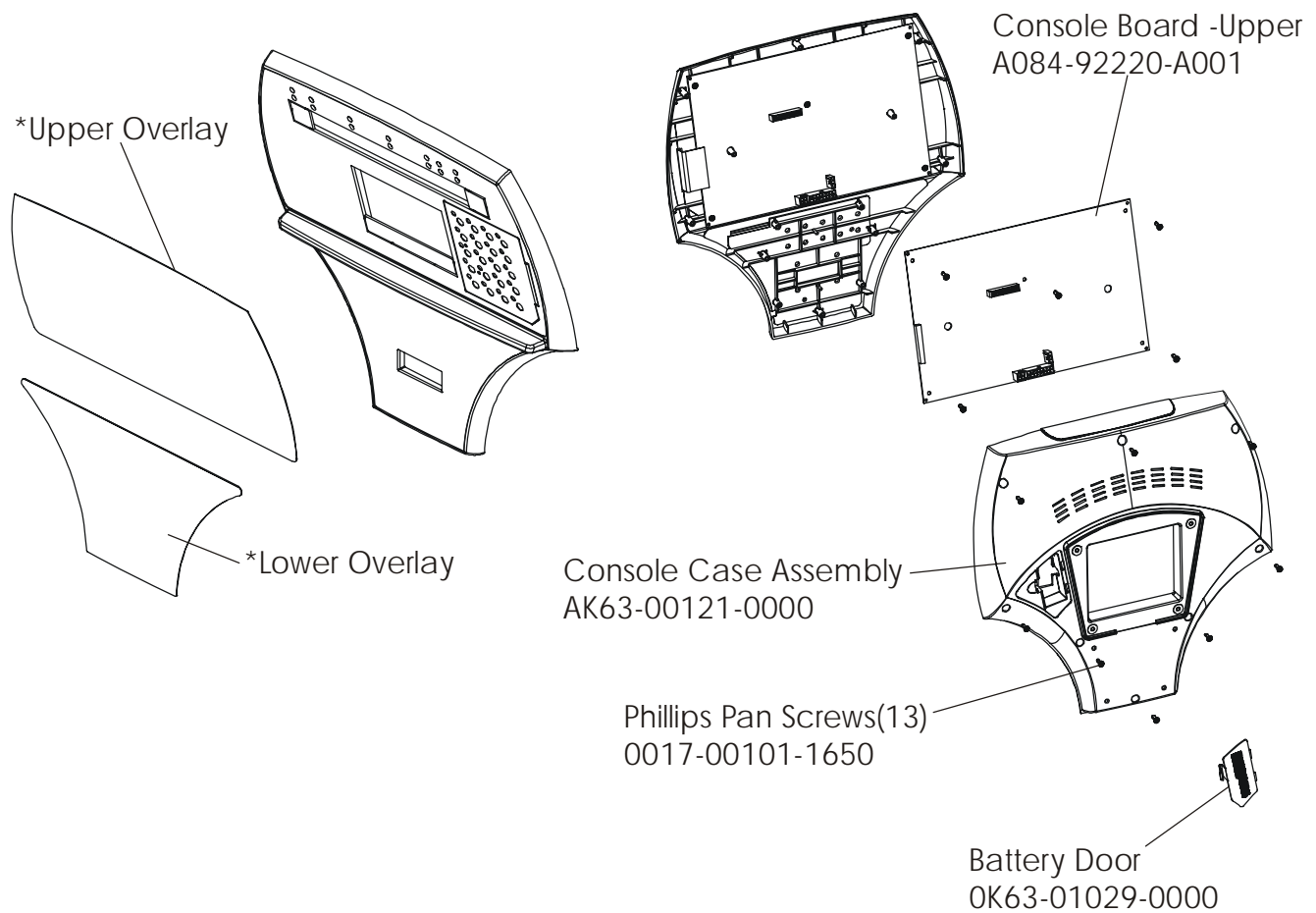


END OF LIFE



Manuals	Part No.
Operation	M051-00K20-A347
Service	M051-00K39-A012

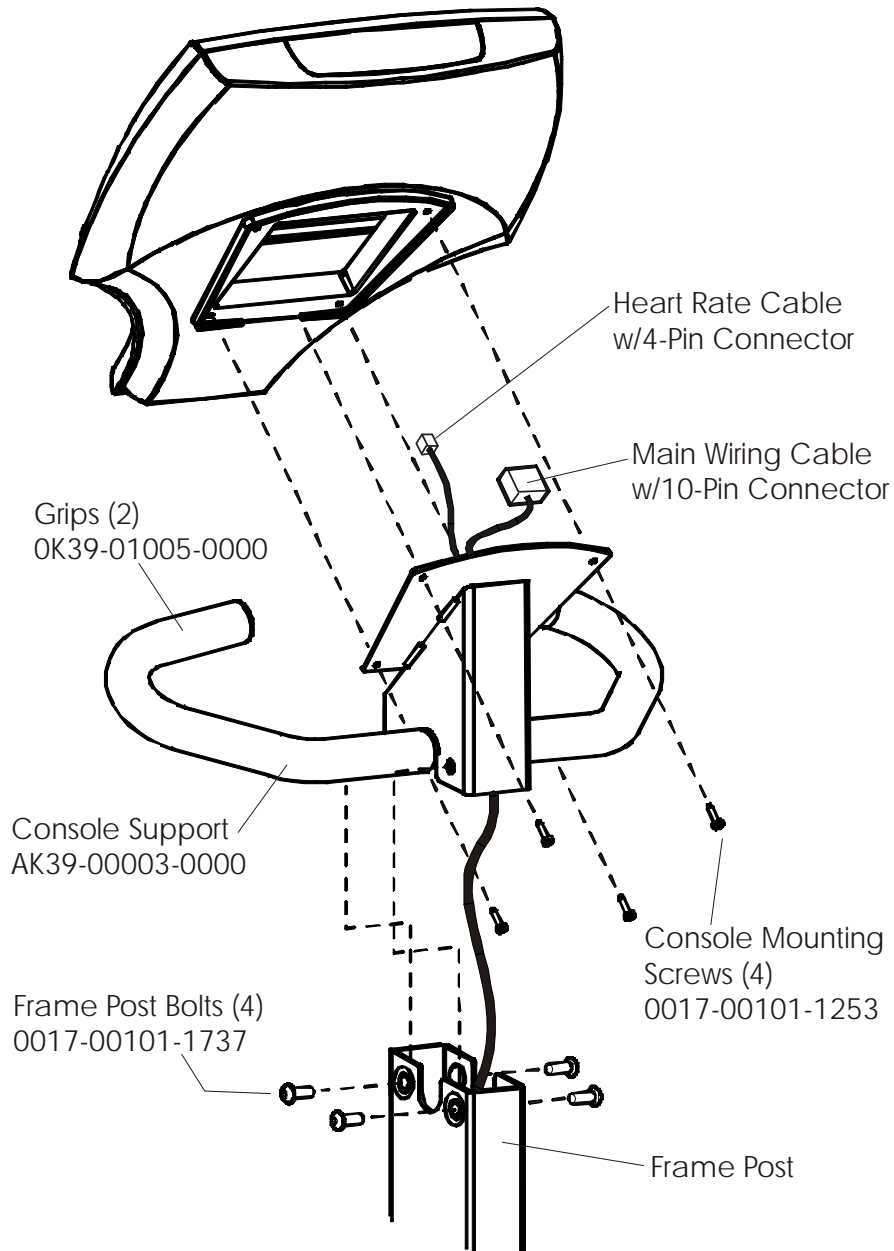
LifeCycle Recumbent Bike - Model LC91R-XXXX-30 S/N CEG100001
Console Overlay Bezel Assembly



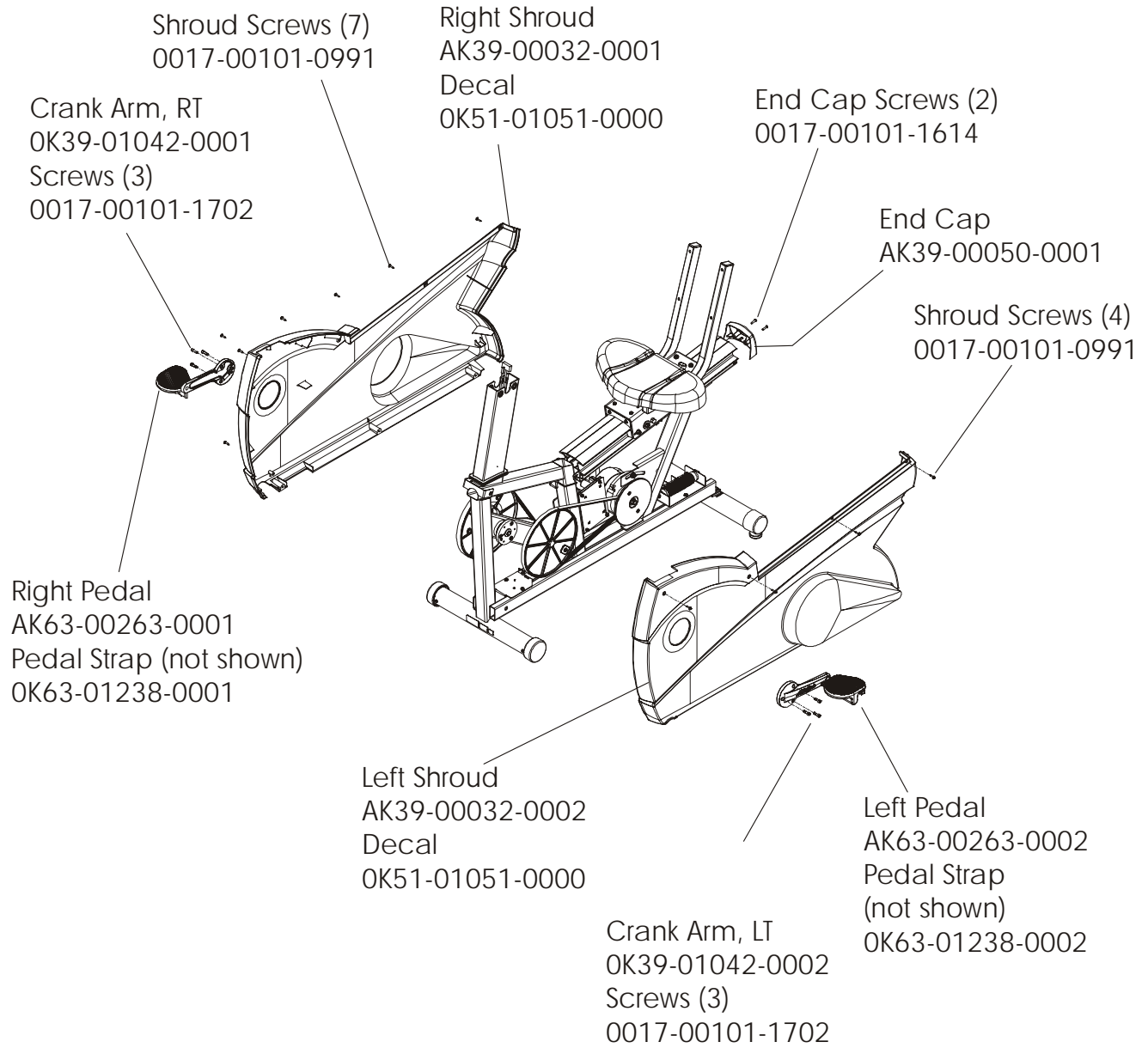
*Included in "Overlay Bezel".
 Console Assembly AK39-57-XXX includes all parts above.

Language	Part Nos.	
	Console Assembly	Overlay Bezel
Eng Met	AK39-00057-0001	AK63-00079-0001
Ger Met	AK39-00057-0003	AK63-00079-0003
Spn Met	AK39-00057-0004	AK63-00079-0004
Jap Met	AK39-00057-0006	AK63-00079-0006
Frn Met	AK39-00057-0007	AK63-00079-0007
Itl Met	AK39-00057-0008	AK63-00079-0008
Dut Met	AK39-00057-0009	AK63-00079-0009
Por Met	AK39-00057-0010	AK63-00079-0010

LifeCycle Recumbent Bike - Model LC91R-XXXX-30 S/N CEG100001
Console Support Assembly

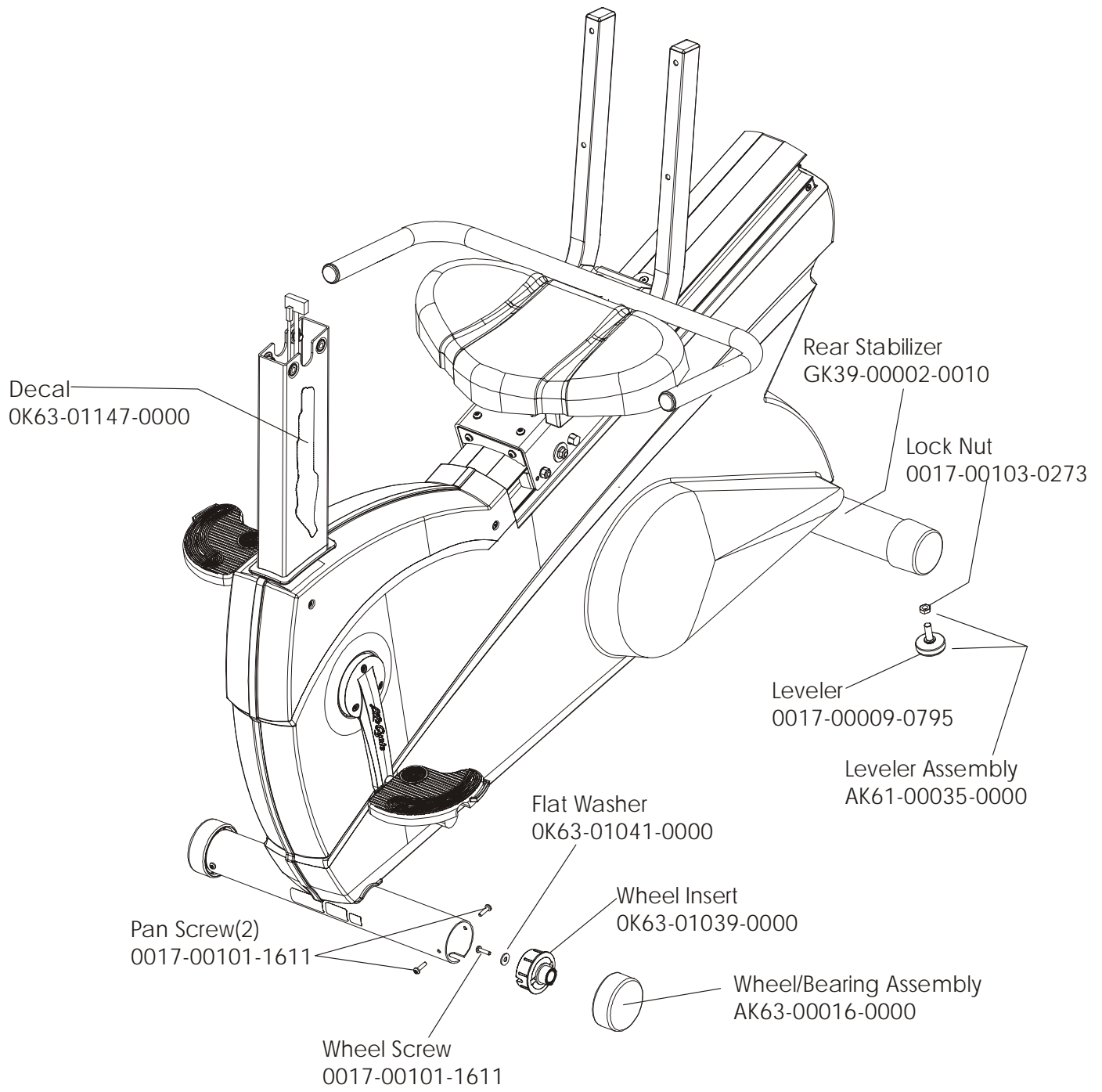


LifeCycle Recumbent Bike - Model LC91R-XXXX-30 S/N CEG100001
Shrouds, End Cap, and Pedals

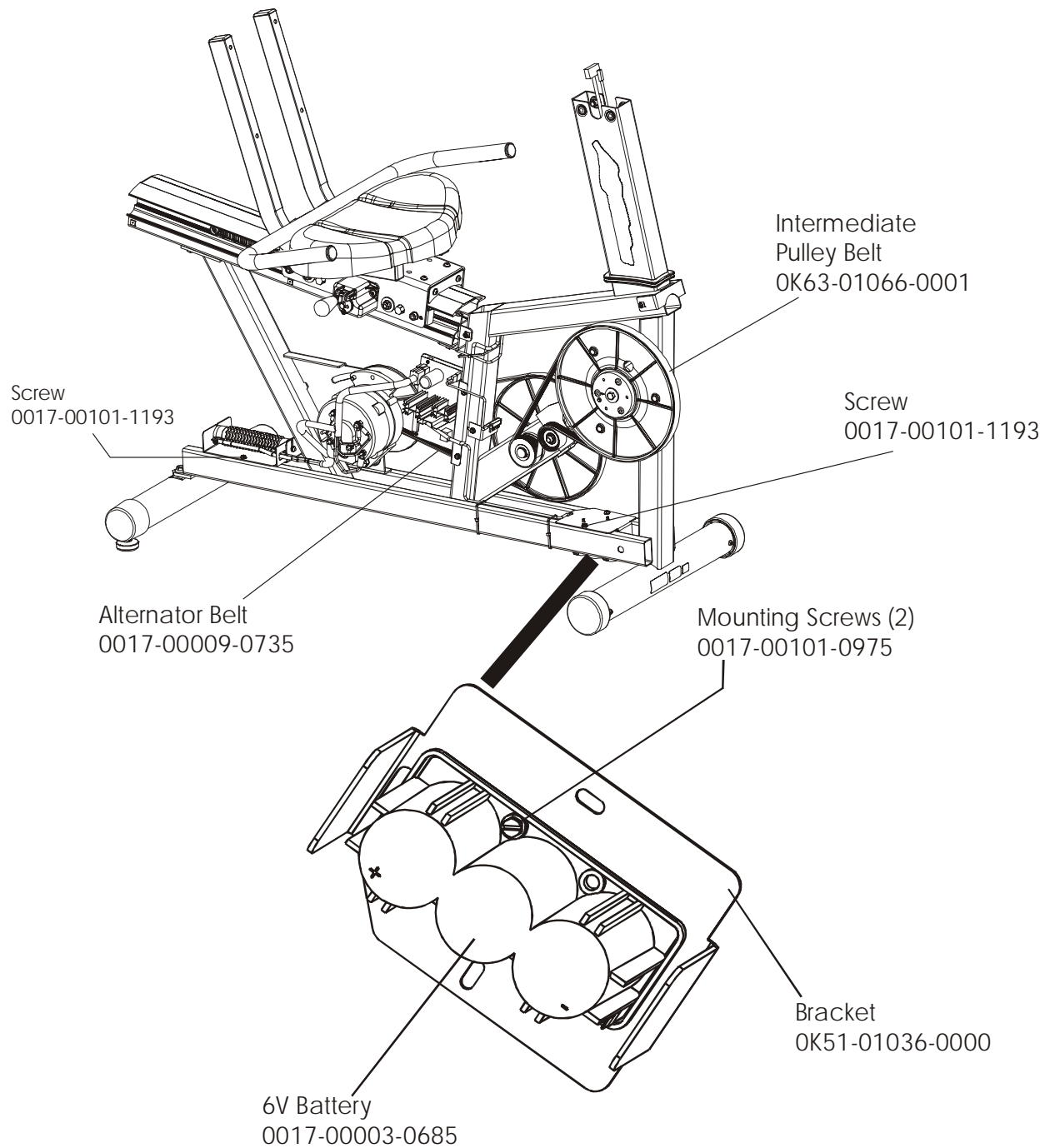


LifeCycle Recumbent Bike - Model LC91R-XXXX-30 S/N CEG100001

Wheels and Levelers

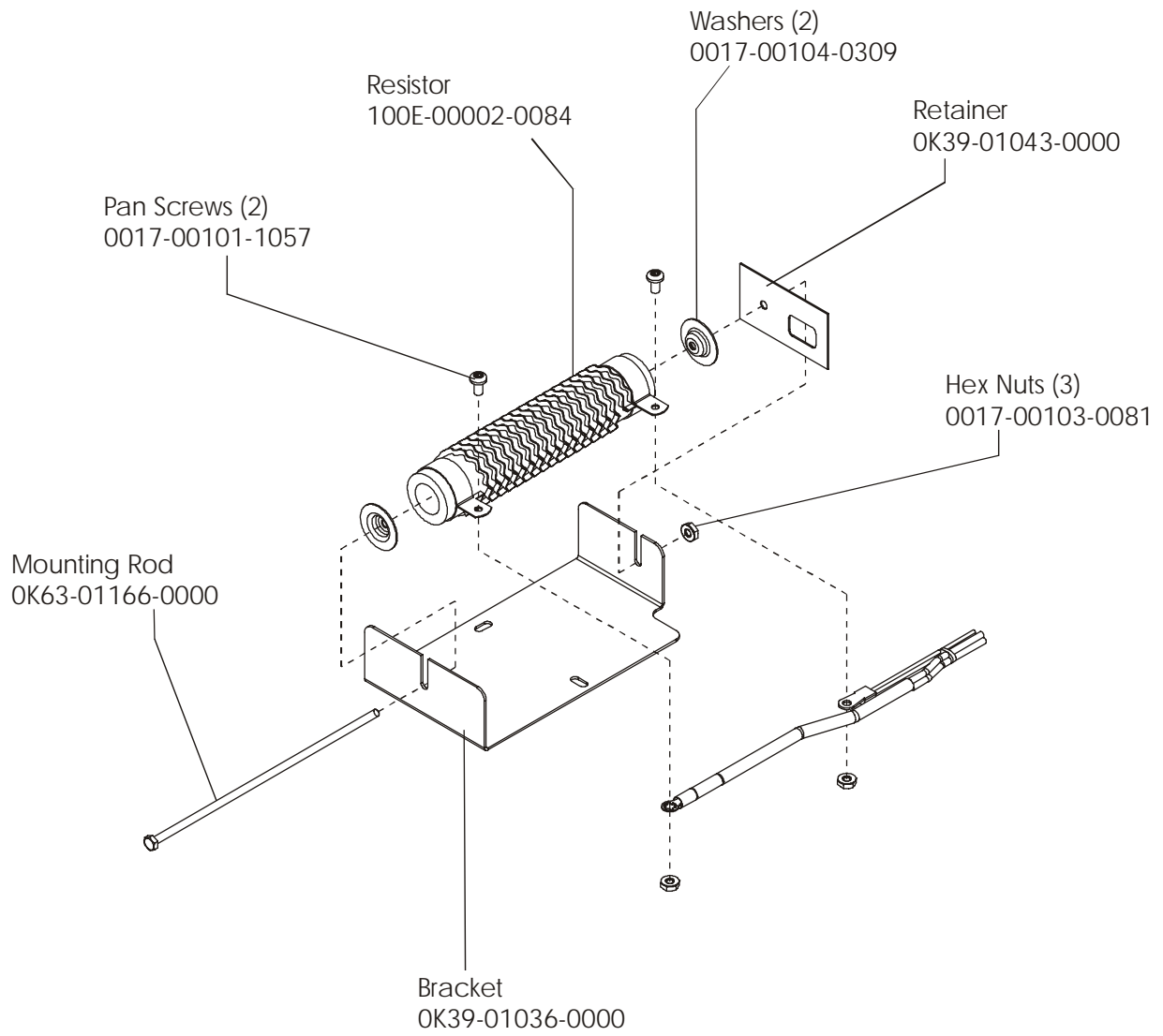


LifeCycle Recumbent Bike - Model LC91R-XXXX-30 S/N CEG100001
Belts and 6V Battery



LifeCycle Recumbent Bike - Model LC91R-XXXX-30 S/N CEG100001

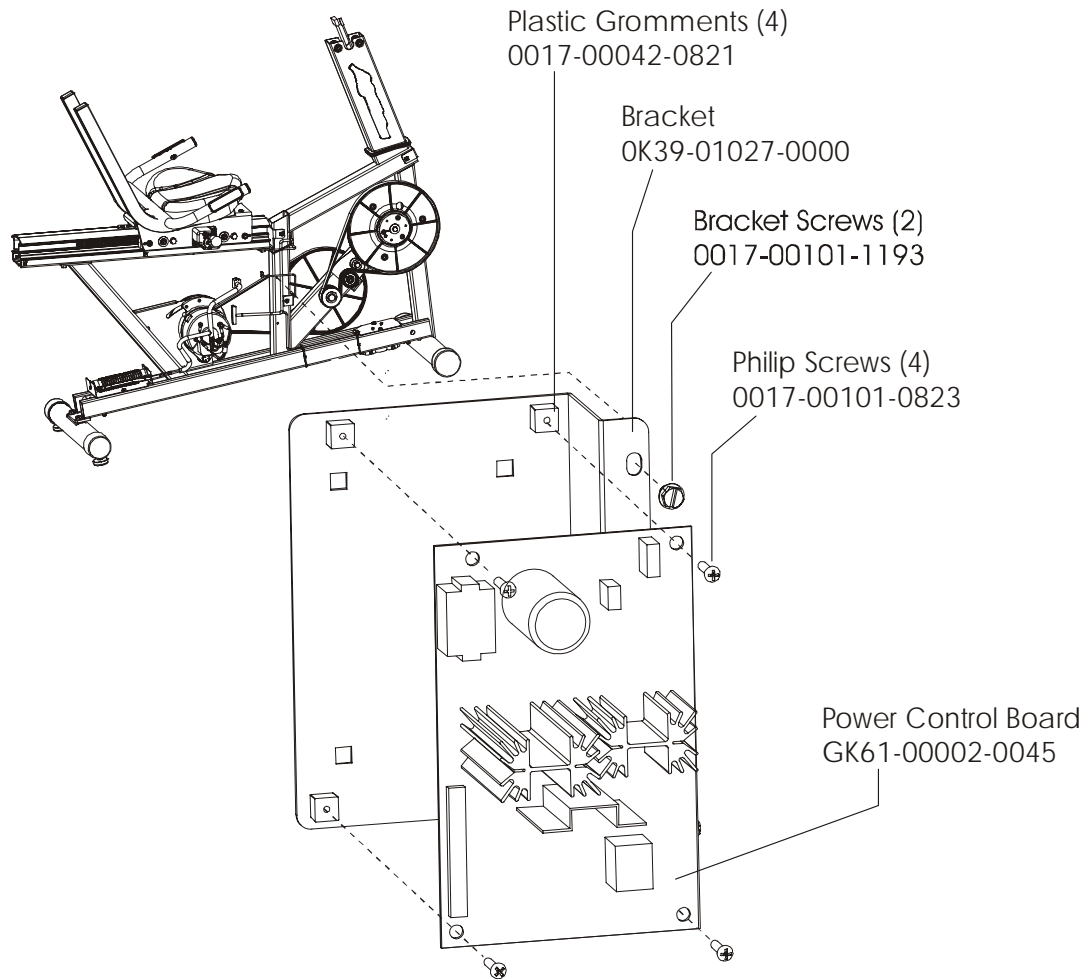
Resistor Assembly



LifeCycle Recumbent Bike - Model LC91R-XXXX-30 S/N CEG100001

Power Control Board

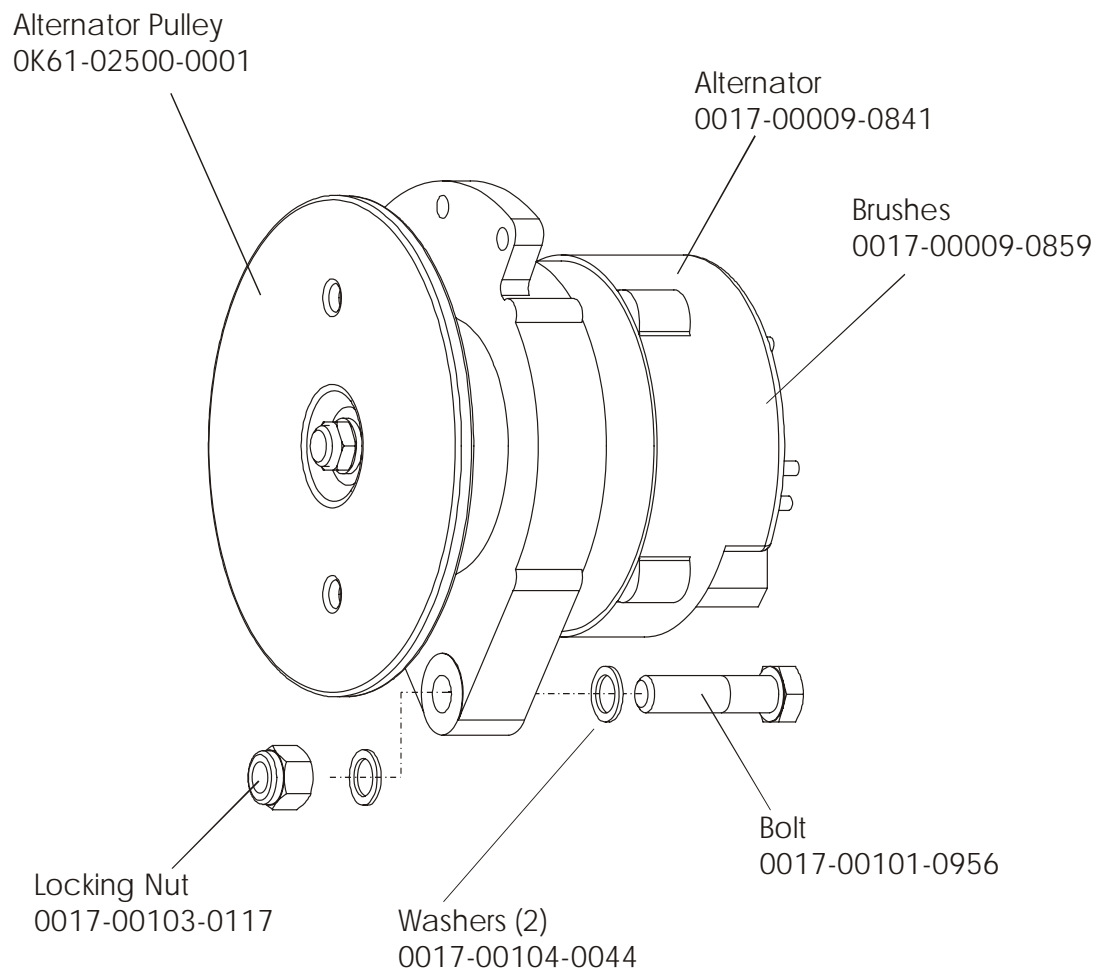
Power Control Board Assembly AK39-00022-0001 includes all parts shown.



LifeCycle Recumbent Bike - Model LC91R-XXXX-30 S/N CEG100001

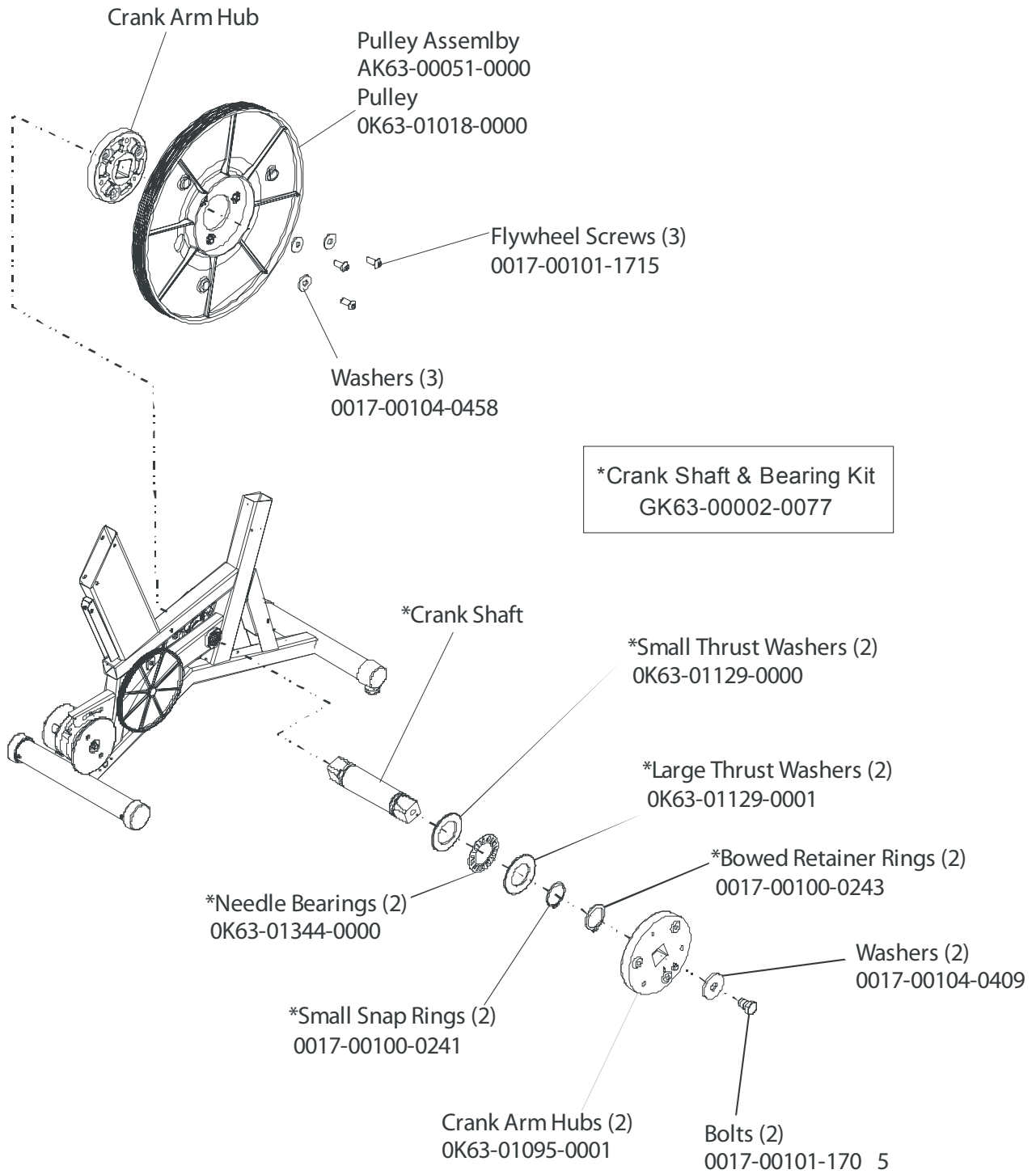
Alternator w/Pulley Assembly

Alternator w/Pulley Assembly AK63-00093-0000 includes all parts shown.



LifeCycle Recumbent Bike - Model LC91R-XXXX-30 S/N CEG100001

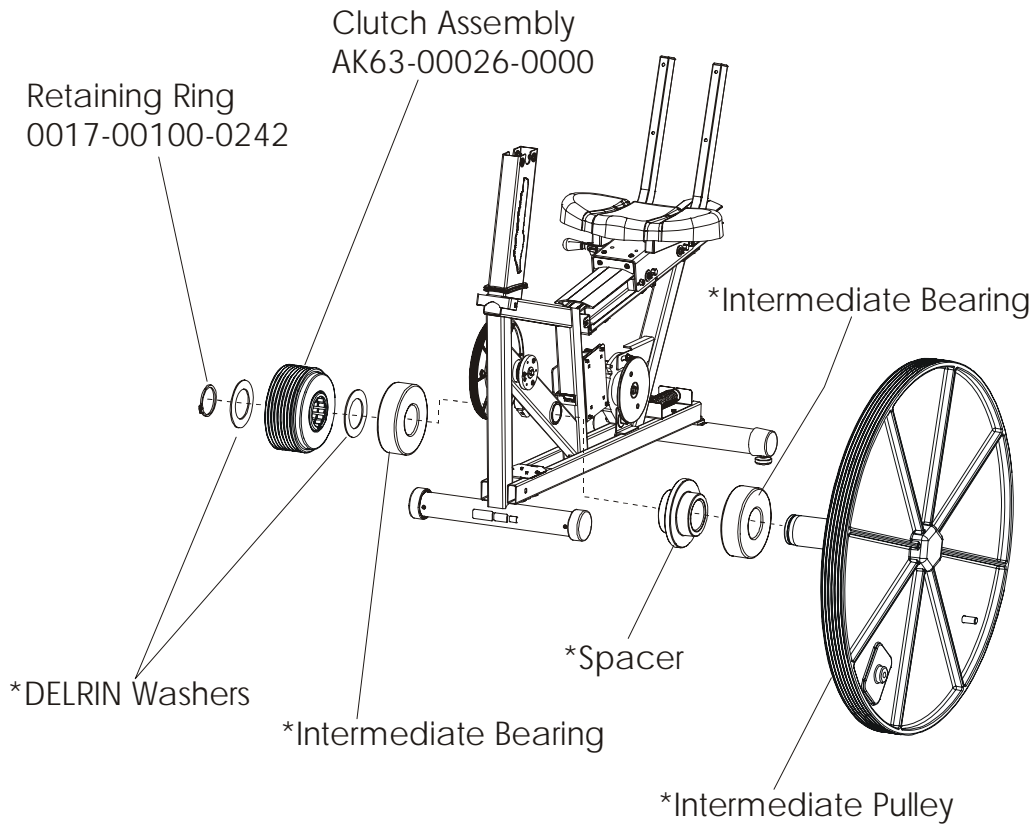
Crank Shaft and Bearing Assembly



LifeCycle Recumbent Bike - Model LC91R-XXXX-30 S/N CEG100001

Intermediate Shaft and Bearing Assembly

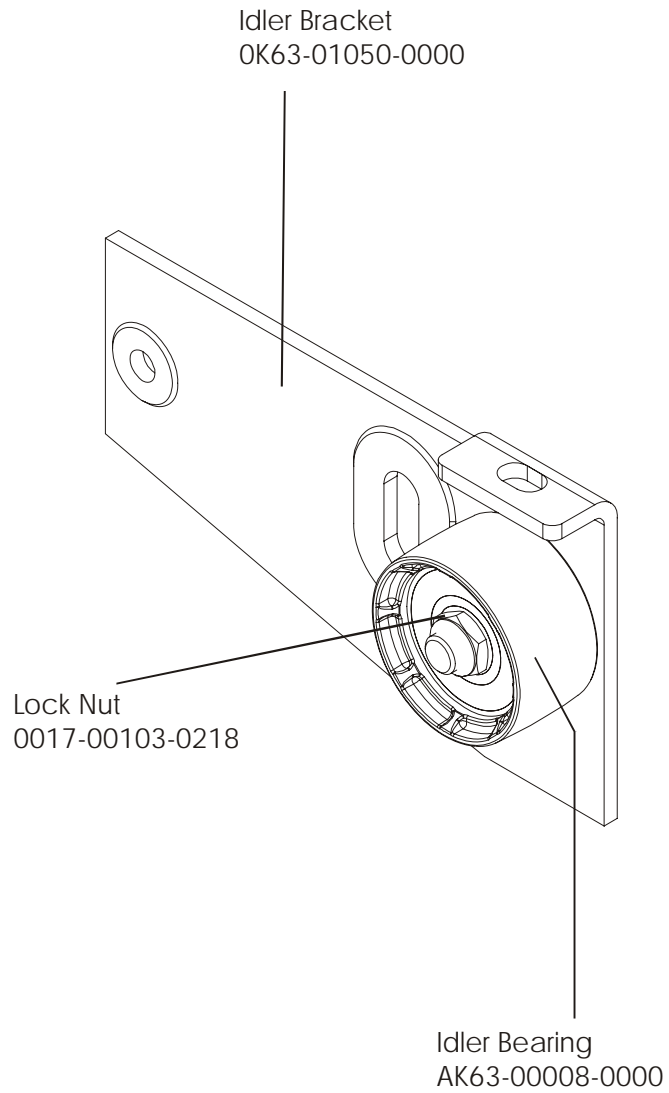
Intermediate Shaft and Bearing Assembly Kit GK63-00002-0007 includes all parts above.
*Items with asterisks are not available separately.



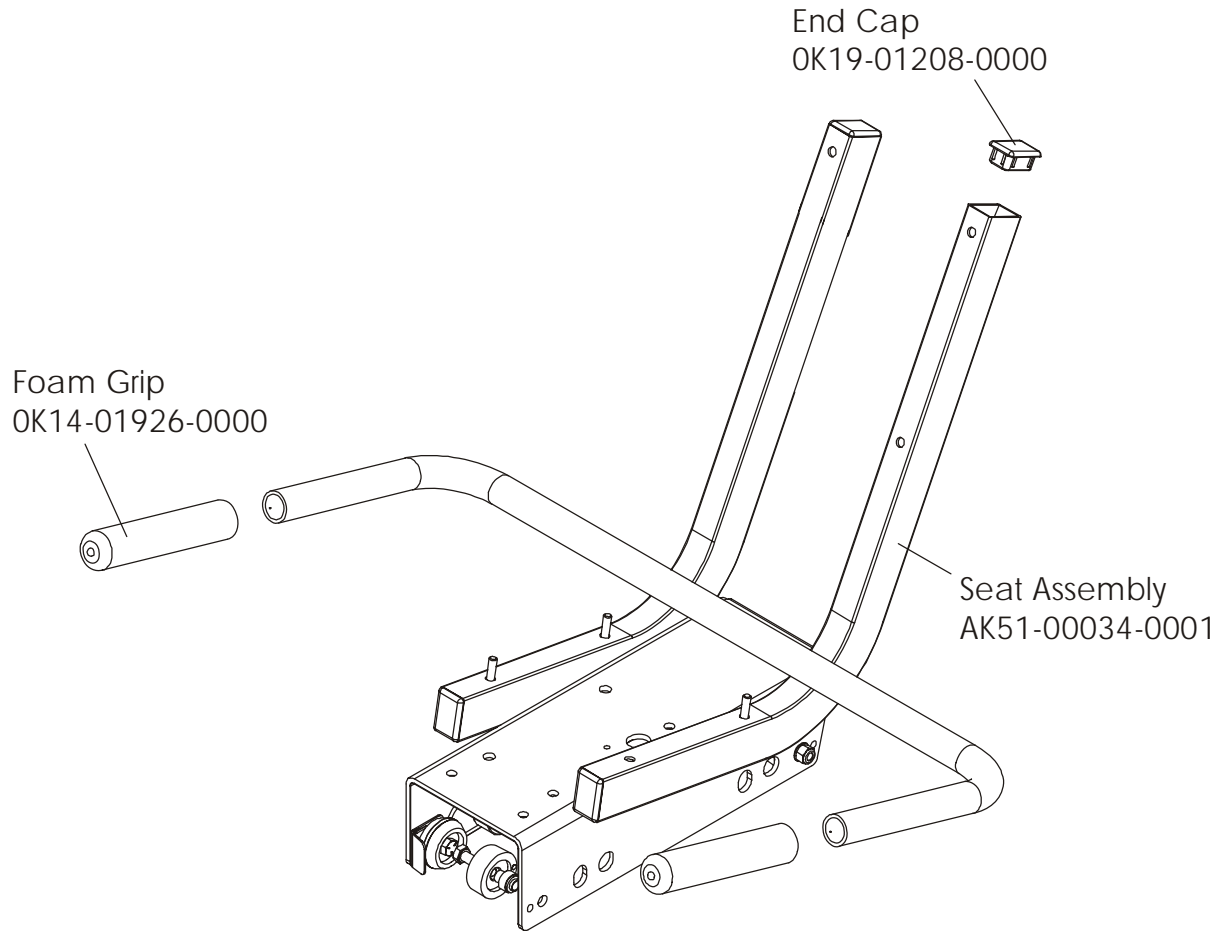
LifeCycle Recumbent Bike - Model LC91R-XXXX-30 S/N CEG100001

Idler Bracket Assembly

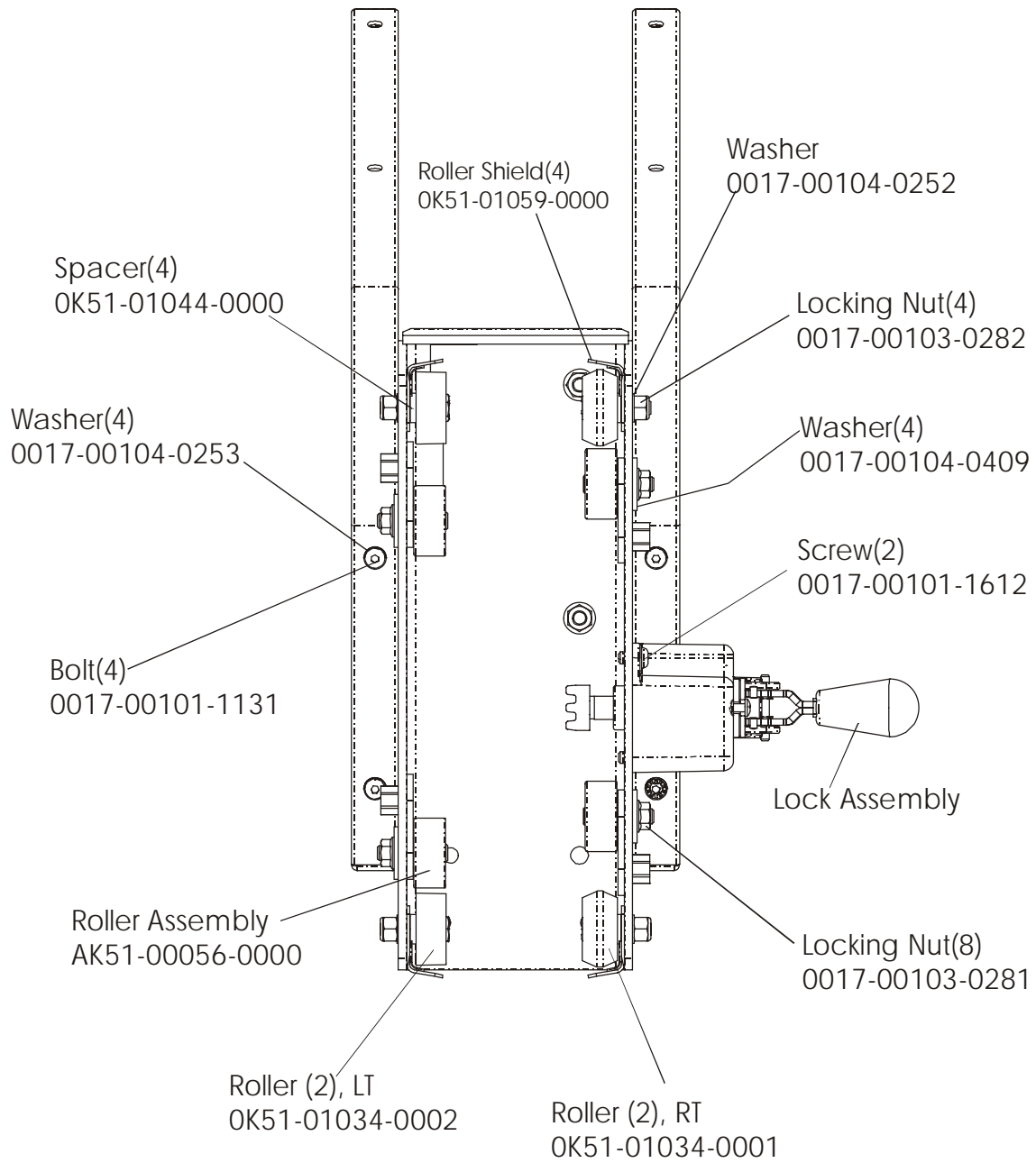
Idler Bracket Assembly AK63-00021-0000 includes all parts shown.



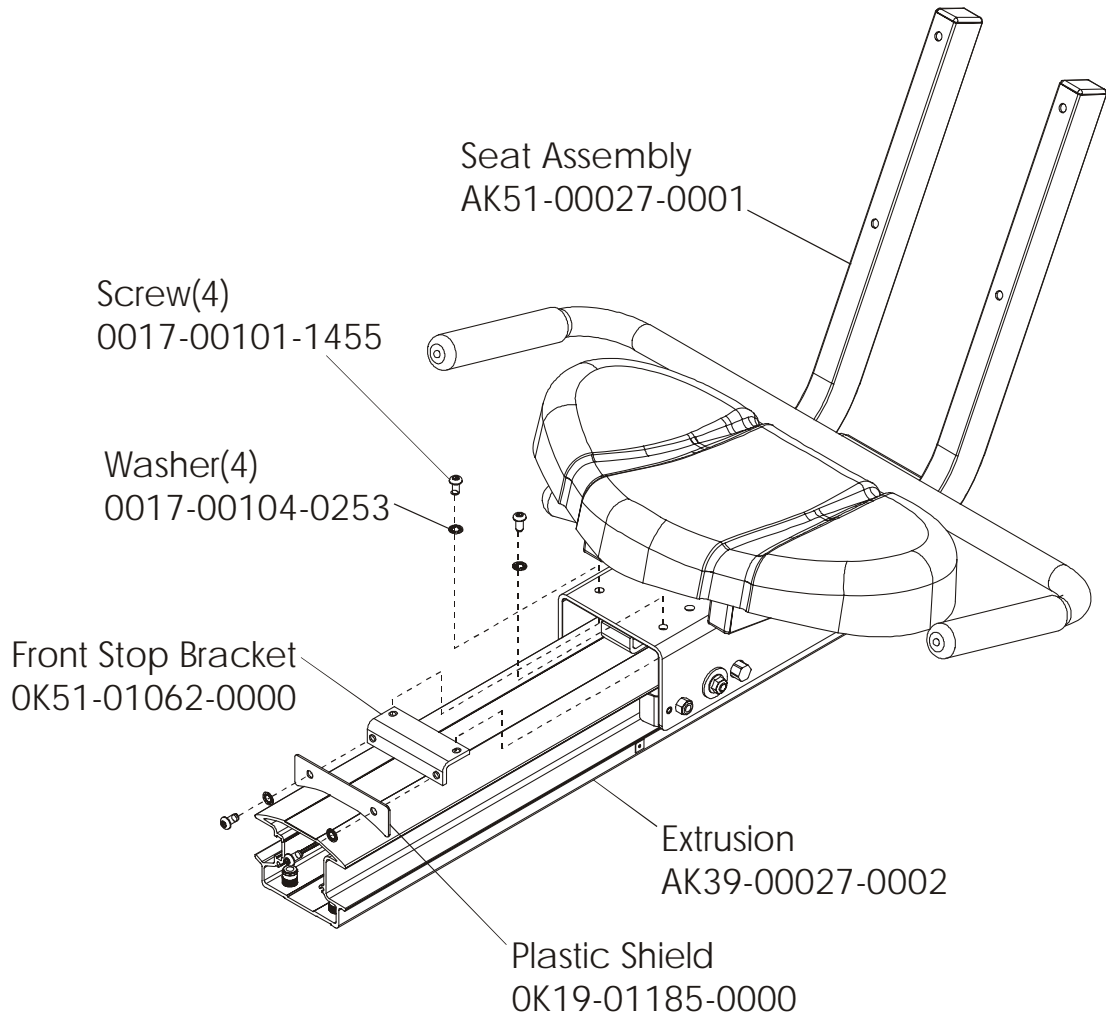
LifeCycle Recumbent Bike - Model LC91R-XXXX-30 S/N CEG100001
Seat Assembly



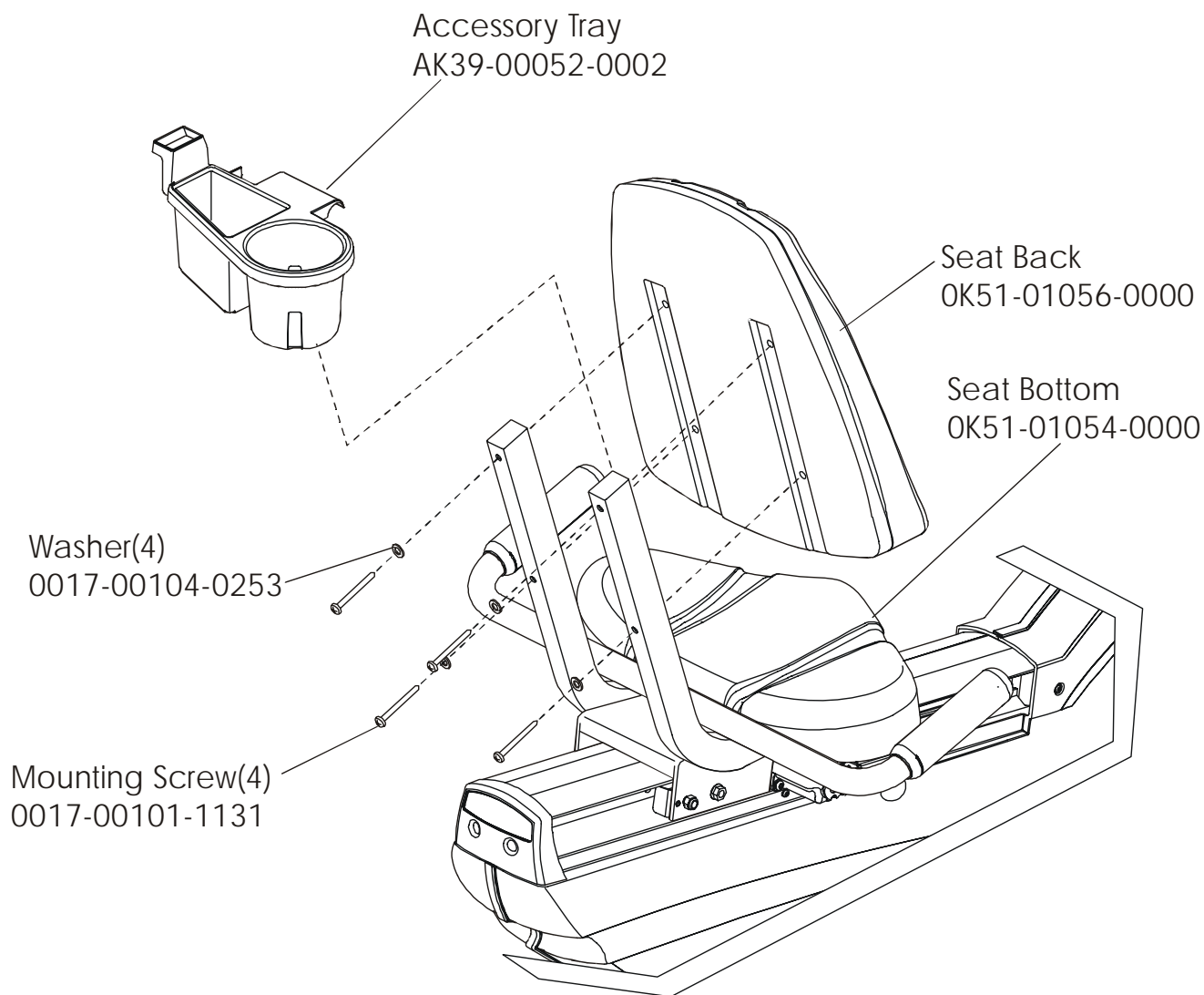
LifeCycle Recumbent Bike - Model LC91R-XXXX-30 S/N CEG100001
Seat Assembly - Bottom



LifeCycle Recumbent Bike - Model LC91R-XXXX-30 S/N CEG100001
Seat Frame Assembly

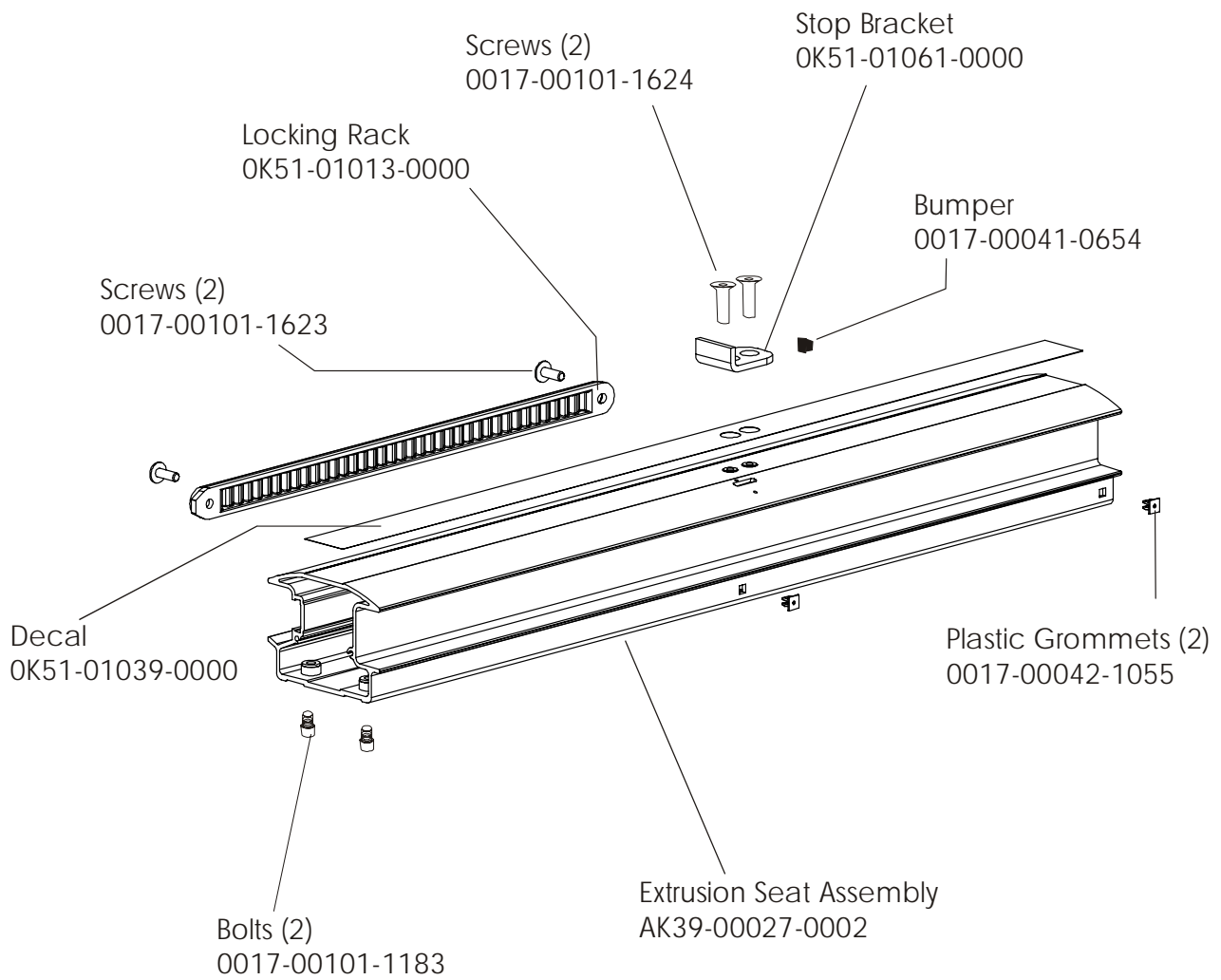


LifeCycle Recumbent Bike - Model LC91R-XXXX-30 S/N CEG100001
Seat Pads and Accessory Tray



LifeCycle Recumbent Bike - Model LC91R-XXXX-30 S/N CEG100001

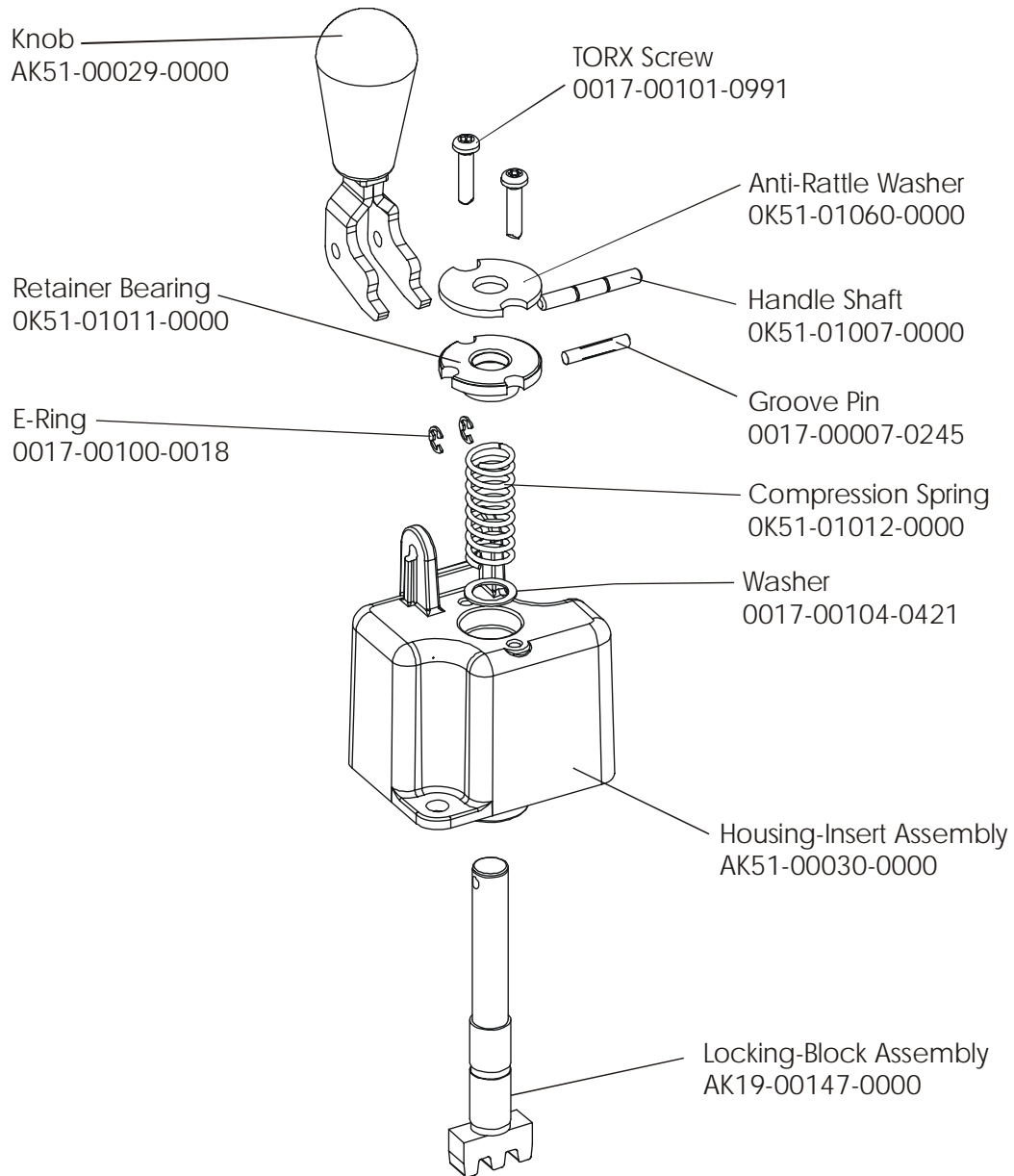
Extrusion Assembly



LifeCycle Recumbent Bike - Model LC91R-XXXX-30 S/N CEG100001

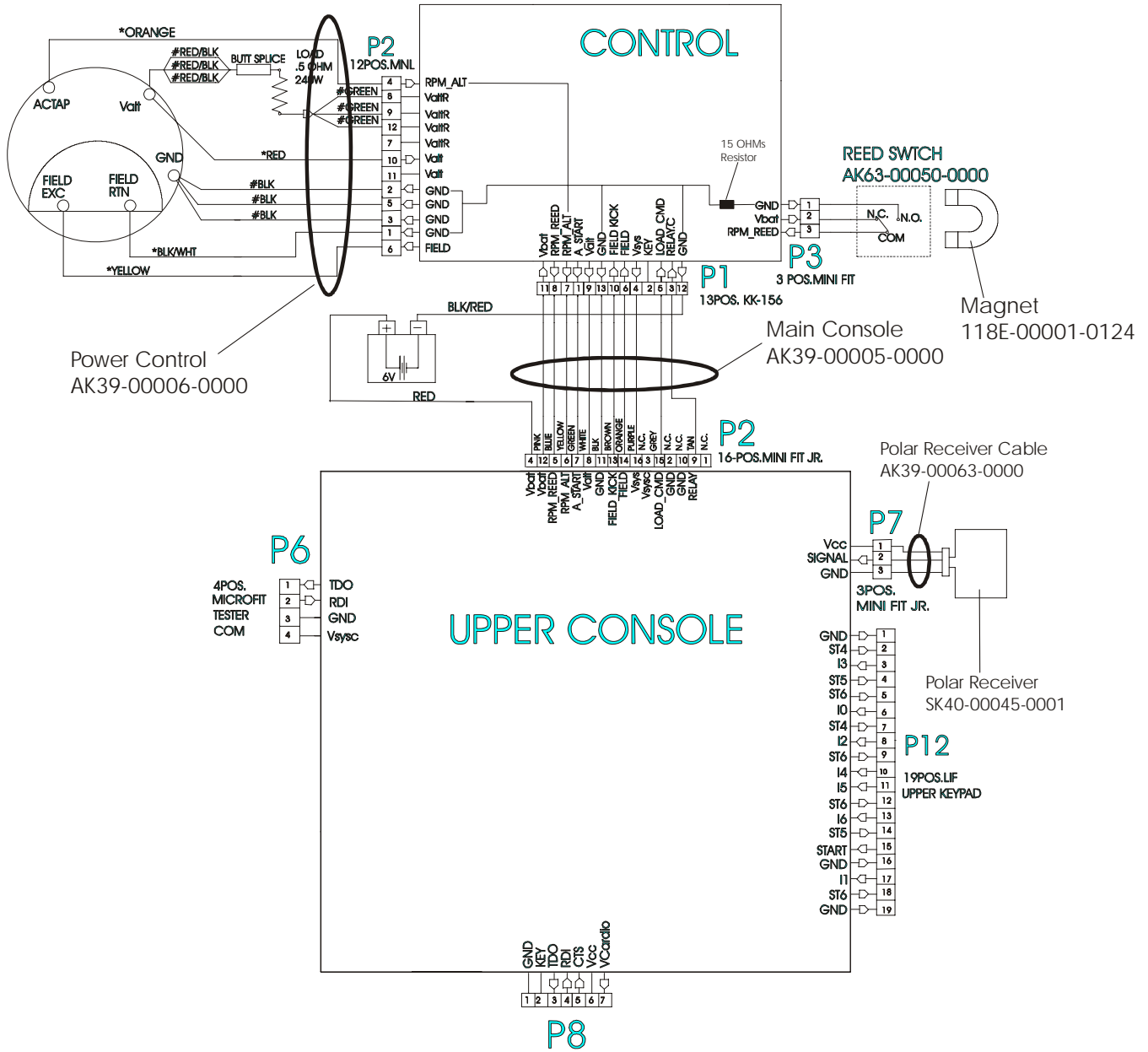
Lock Assembly

Lock Assembly AK51-00053-0000 includes all parts shown.



LifeCycle Recumbent Bike - Model LC91R-XXXX-30 S/N CEG100001

Cable – Electrical Schematic



Description		Part No.
Network Kit		GK63-00002-0003
Polar Transmitter	Medium	AK40-00045-0002
	Extra Small	AK40-00045-0003
	Extra Large	AK40-00045-0004