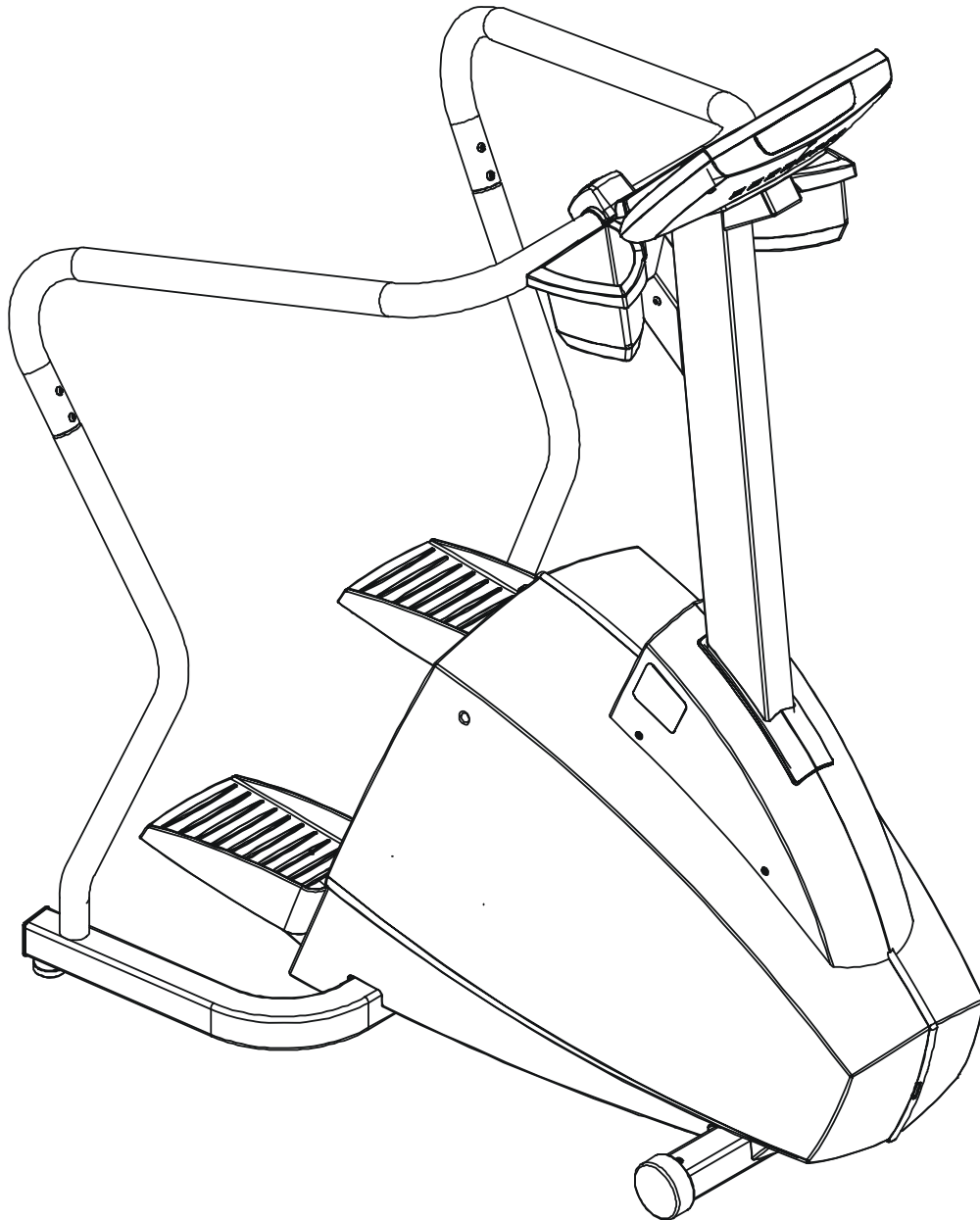


**END OF LIFE**

*LifeFitness*

**ARCTIC SILVER 90SW Stairclimber**



**Customer Support Services**  
**PARTS MANUAL** revised 19 Nov 2012

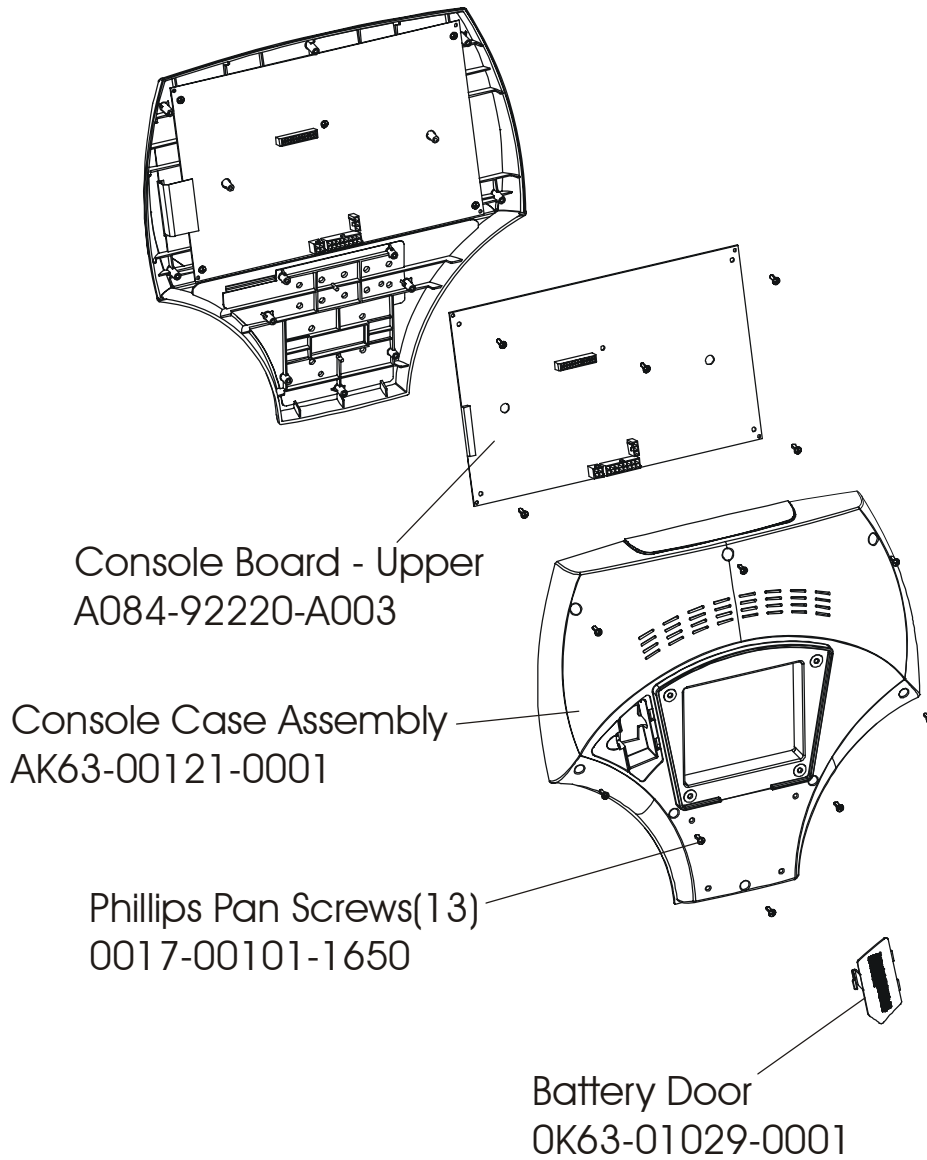
|   |   |
|---|---|
| OPERATION MANUAL  | M051-00K47-A076   |
| ACCESS PANEL ASSEMBLY<br>CONSISTS OF:<br>1) COAX CABLE<br>2) POWER EXT. CABLE<br>3) MOUNTING PLATE<br>4) F TYPE CONNECTOR | AK32-00020-0002<br>AK32-00078-0001<br>0K47-01197-0001<br>0017-0021-2846 |
| OPTIONAL TELEMETRY KIT  | GK47-00002-0003   |
| HARDWARE BAG  | AK47-00108-0000   |
| TOUCH UP PAINT:<br>SPRAY CAN<br>.5 OZ BOTTLE W/APPLICATOR<br>.33 OZ PEN   | 0017-00008-0204<br>0017-00008-0205<br>0017-00008-0206                   |
| SERVICE MANUAL  | M051-00K47-A013   |

**NOTE: ADDING THE LCD BOLT-ON SCREEN TO  
THE 90SW-0XXX-02 MAKES IT A 90SER-0XXX-02.**

|                                       | Page |
|---------------------------------------|------|
| CONSOLE COMPONENTS .....              | 4    |
| FRAME COMPONENTS.....                 | 5    |
| SHROUDS AND PEDAL TUBE .....          | 6    |
| PEDAL ASSEMBLY.....                   | 7    |
| CLUTCH,SHAFT/PULLEY ASSEMBLY .....    | 8    |
| LEFT CLUTCH ASSEMBLY .....            | 9    |
| CROSSOVER PULLEY ASSEMBLY .....       | 10   |
| ALTERNATOR ASSEMBLY.....              | 11   |
| GUIDE ROLLERS .....                   | 12   |
| POWER CONTROL BOARD & RESISTORS ..... | 13   |
| POLAR RECEIVER CAP .....              | 14   |
| CABLES.....                           | 15   |

**ARCTIC SILVER 90SW**  
**Console Components**

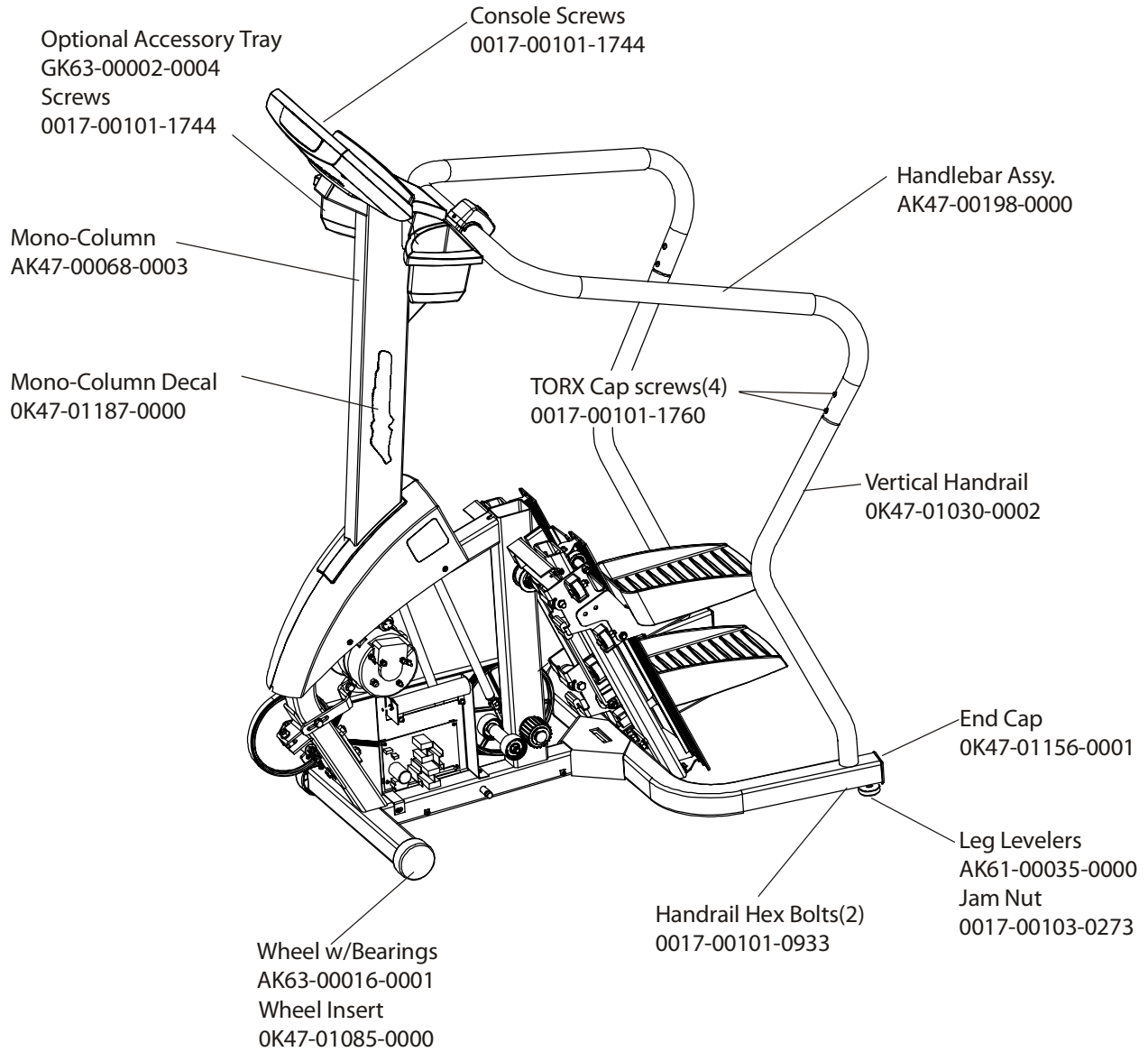
**90SW-0XXX-02**  
**S/N AWA100000 and UP**



|                         |                            |
|-------------------------|----------------------------|
| Console Assembly        | Overlay/Bezel/Switch Assy. |
| AK47-00096-0001 Eng Met | AK47-00100-0001 Eng Met    |
| AK47-00096-0003 Ger Met | AK47-00100-0003 Ger Met    |
| AK47-00096-0004 Spn Met | AK47-00100-0004 Spn Met    |
| AK47-00096-0006 Jap Met | AK47-00100-0006 Jap Met    |
| AK47-00096-0007 Frn Met | AK47-00100-0007 Frn Met    |
| AK47-00096-0008 Itl Met | AK47-00100-0008 Itl Met    |
| AK47-00096-0009 Dut Met | AK47-00100-0009 Dut Met    |
| AK47-00096-0010 Por Met | AK47-00100-0010 Por Met    |

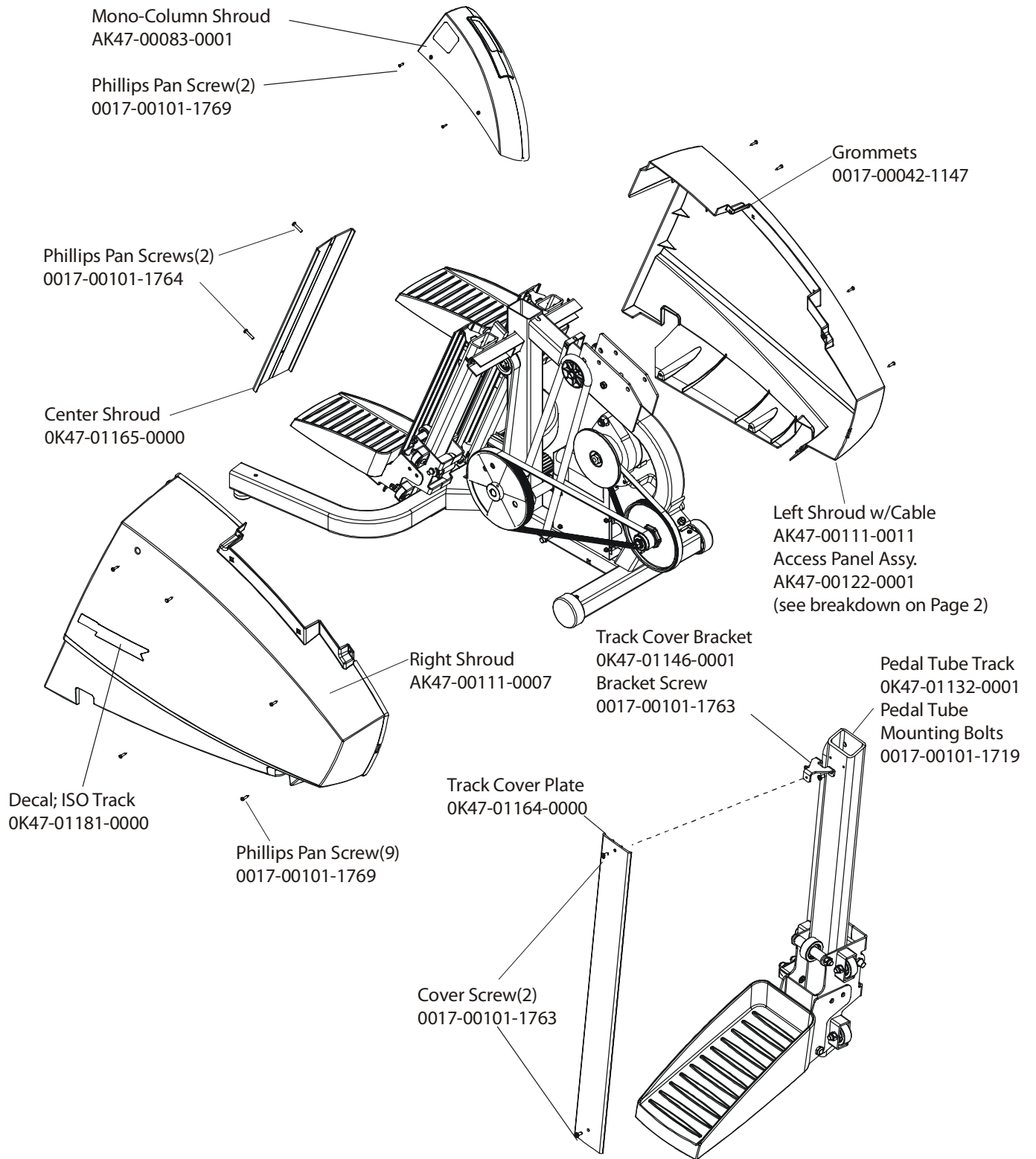
**ARCTIC SILVER 90SW**  
**Frame Components**

**90SW0XXX-02**  
**S/N AWA100000 and UP**



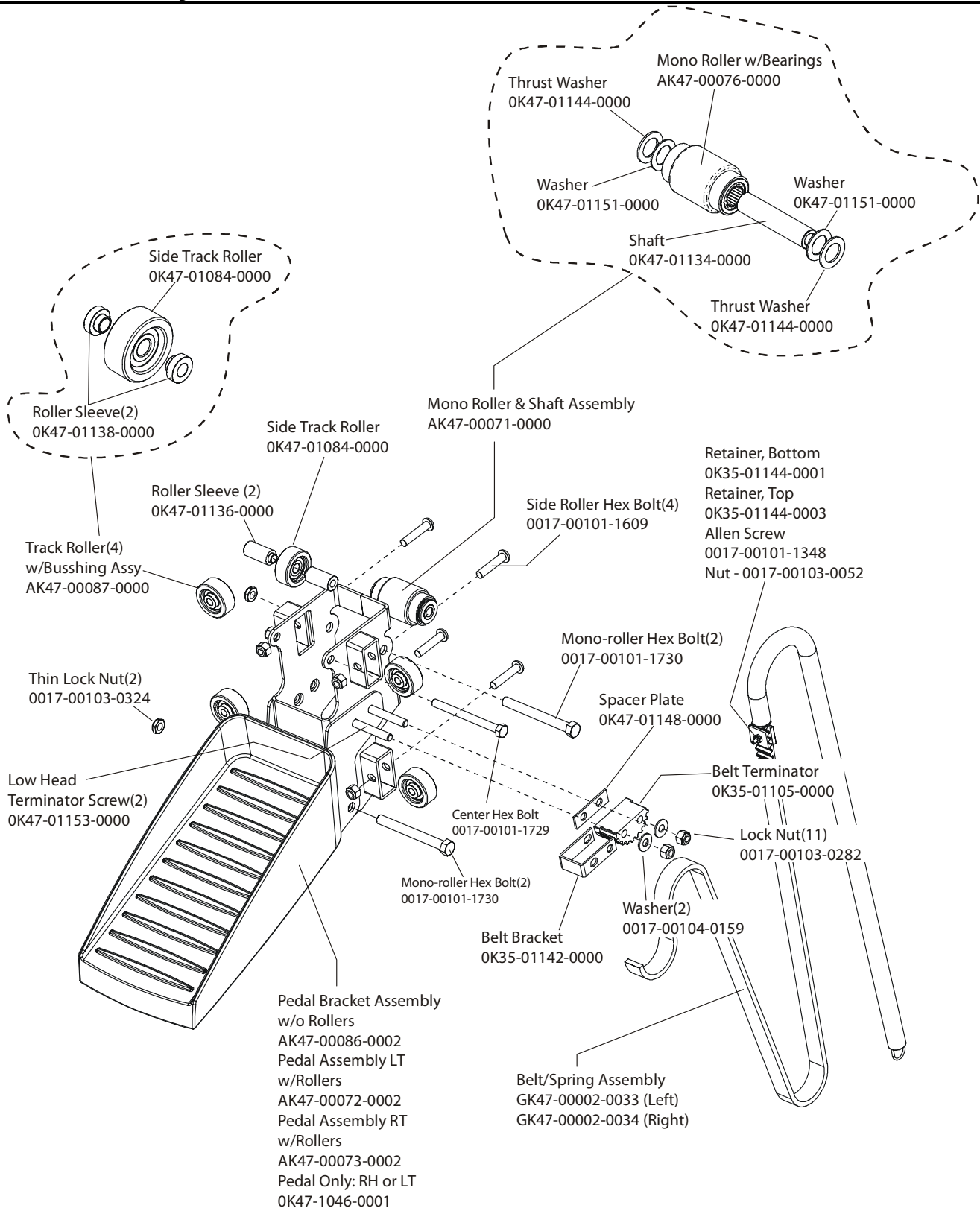
**ARCTIC SILVER 90SW**  
**Shrouds and Pedal Tube**

**90SW-0XXX-02**  
**S/N AWA100000 and UP**



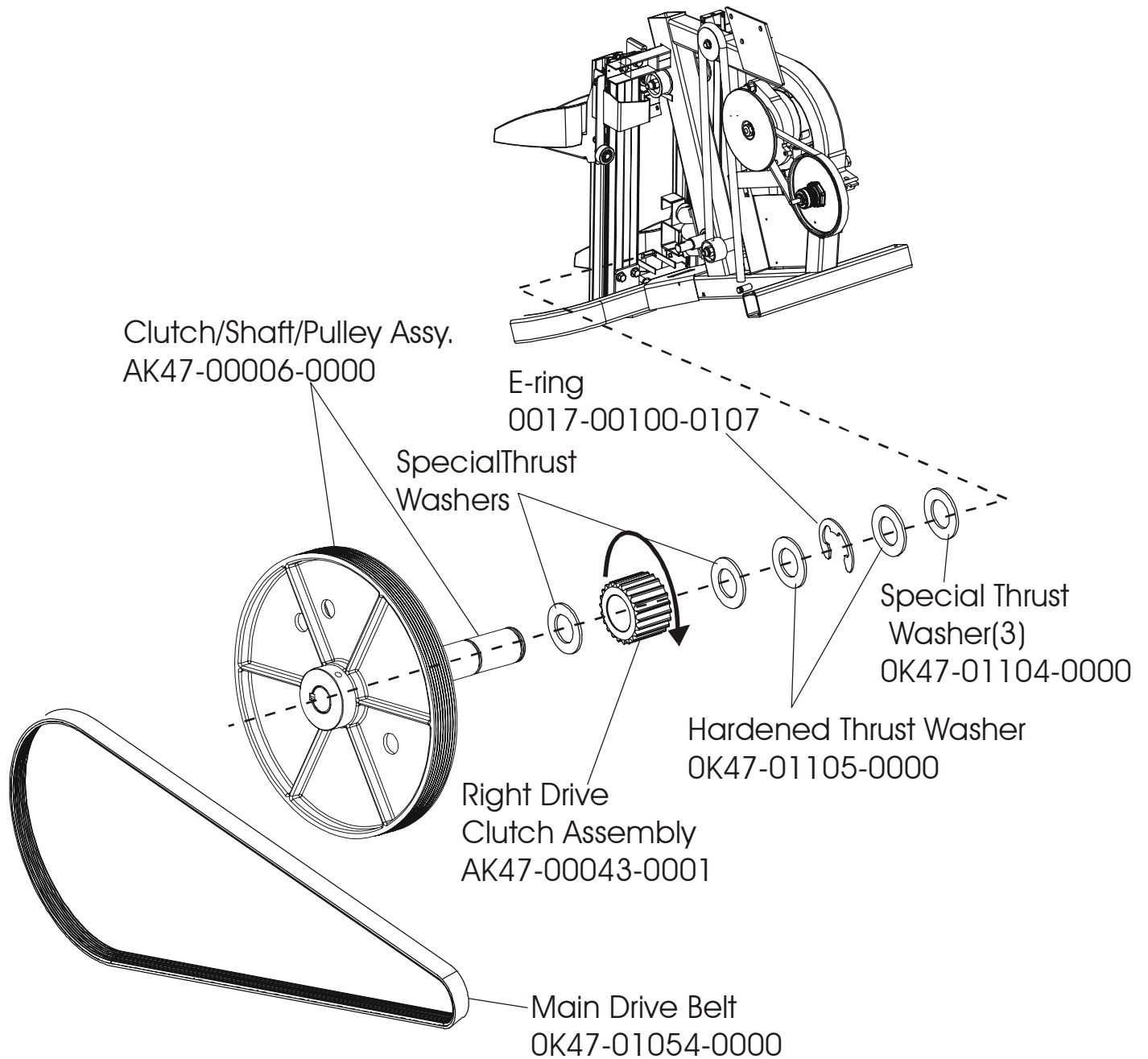
**ARCTIC SILVER 90SW**  
**Pedal assembly**

**90SW-0XXX-02**  
**S/N AWA100000 and UP**



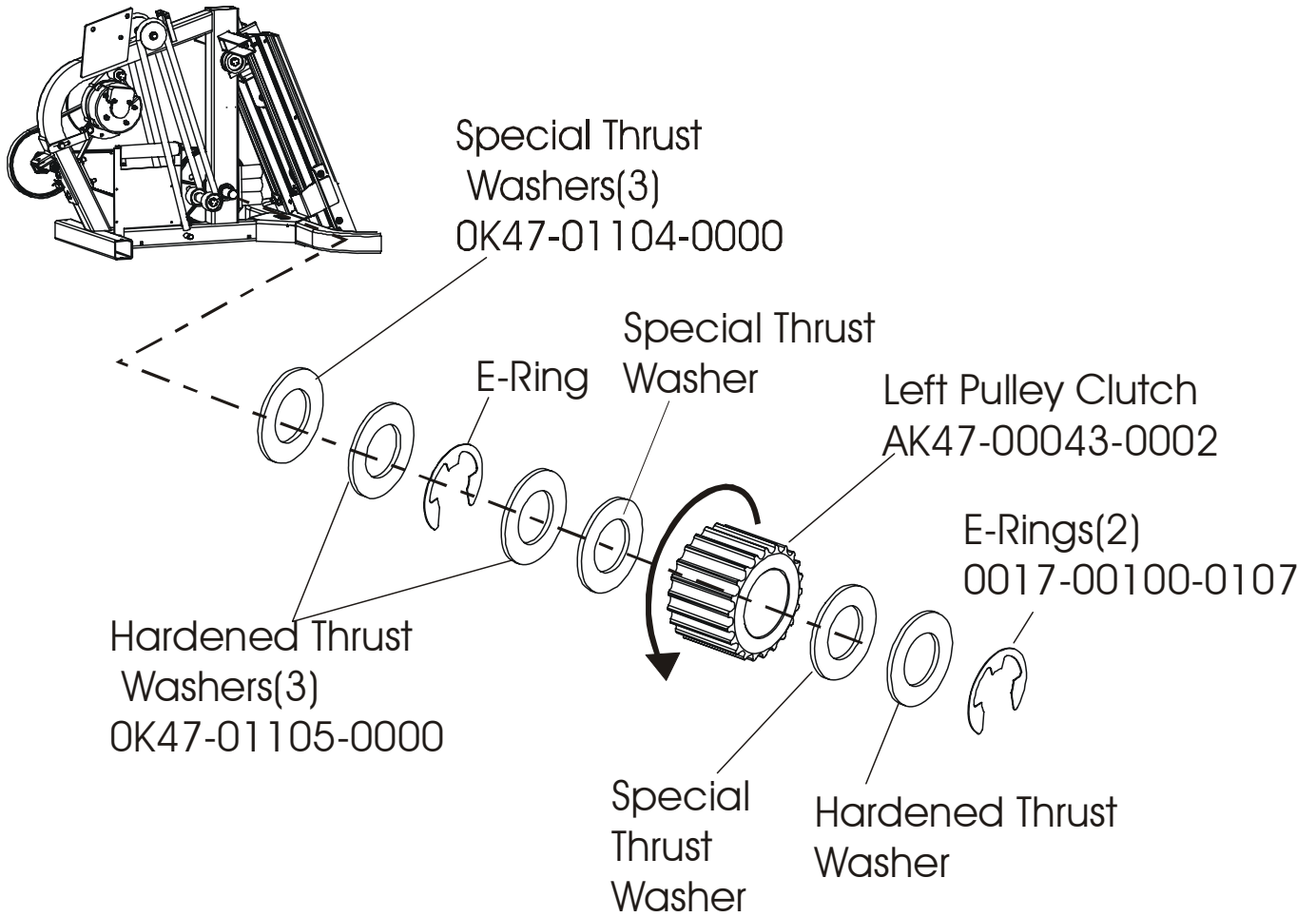
**ARCTIC SILVER 90SW**  
**Clutch/Shaft/Pulley Assembly**

**90SW-0XXX-02**  
**S/N AWA100000 and UP**



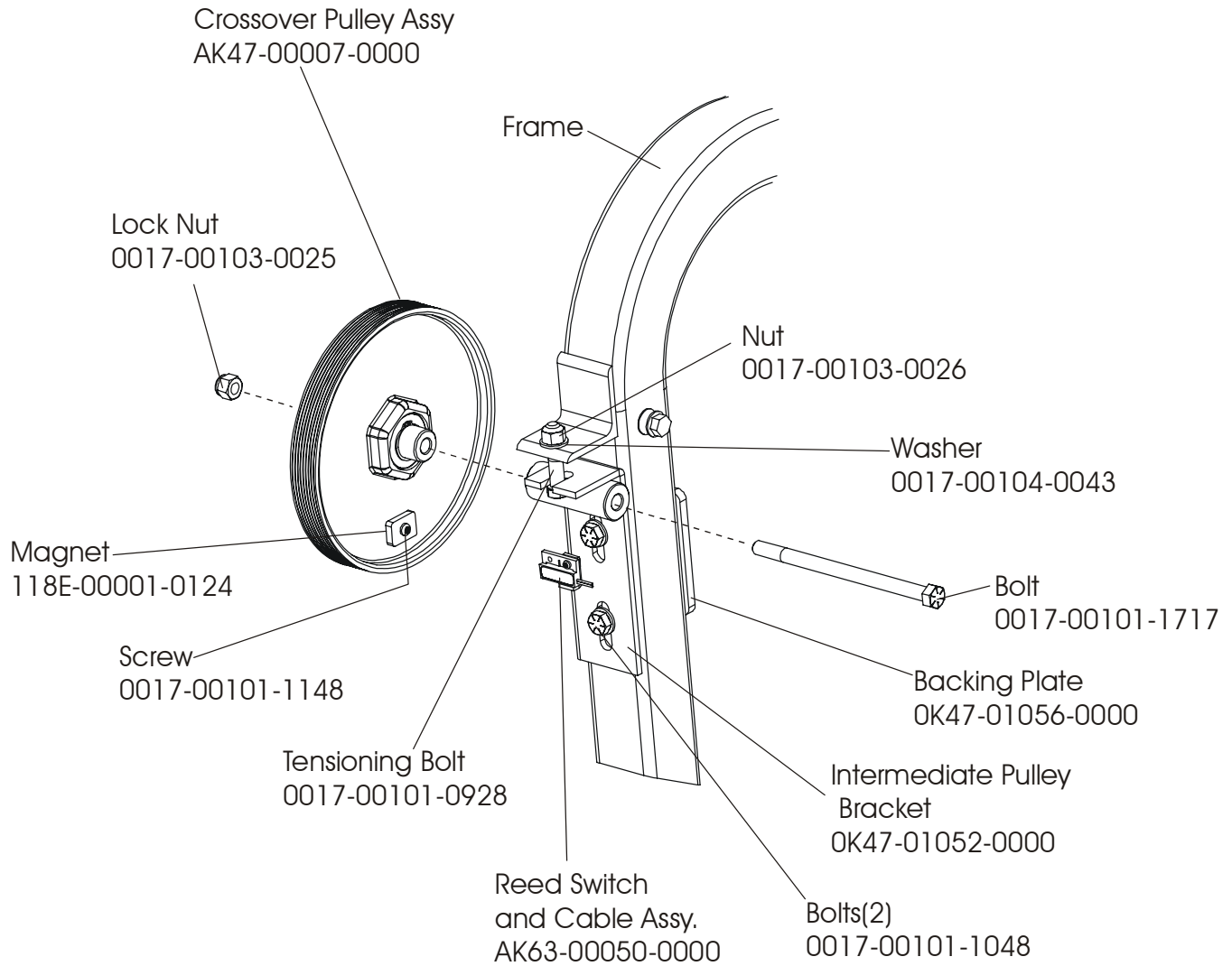
**ARCTIC SILVER 90SW**  
**Left Clutch Assembly**

**90SW-0XXX-02**  
**S/N AWA100000 and UP**



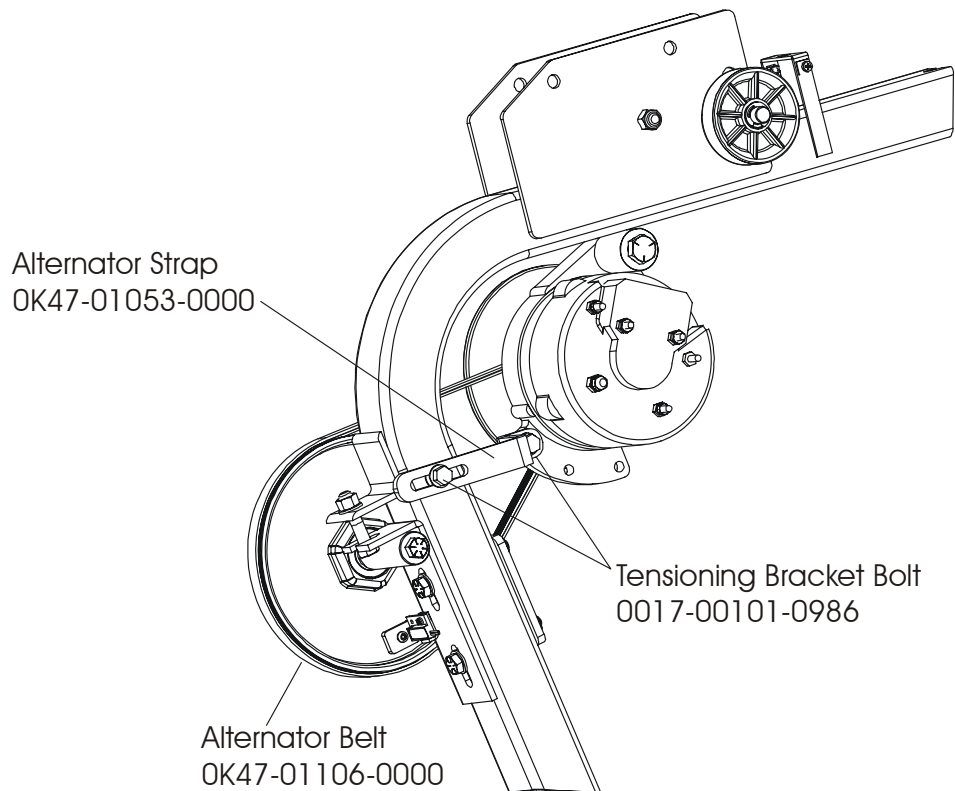
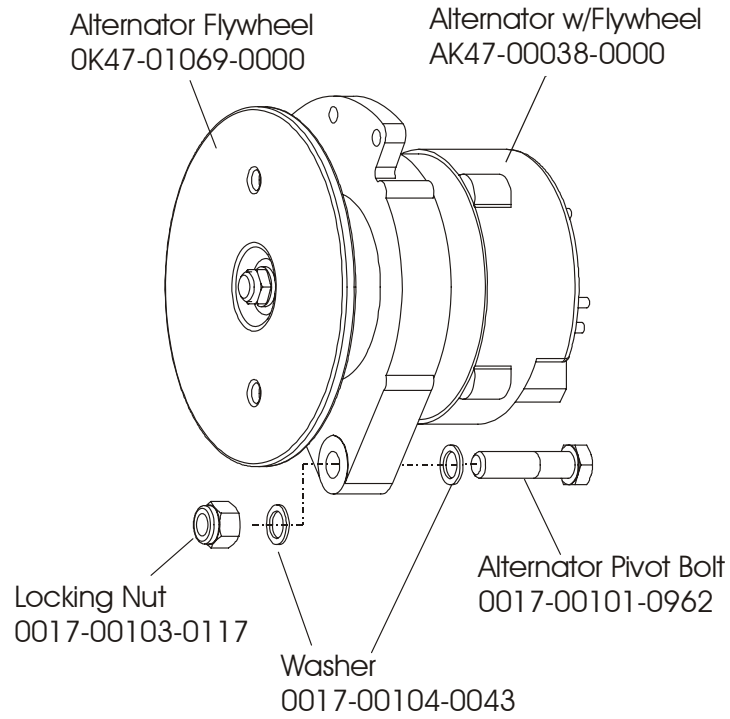
**ARCTIC SILVER 90SW**  
**Crossover Pulley Assembly**

**90SW-0XXX-02**  
**S/N AWA100000 and UP**



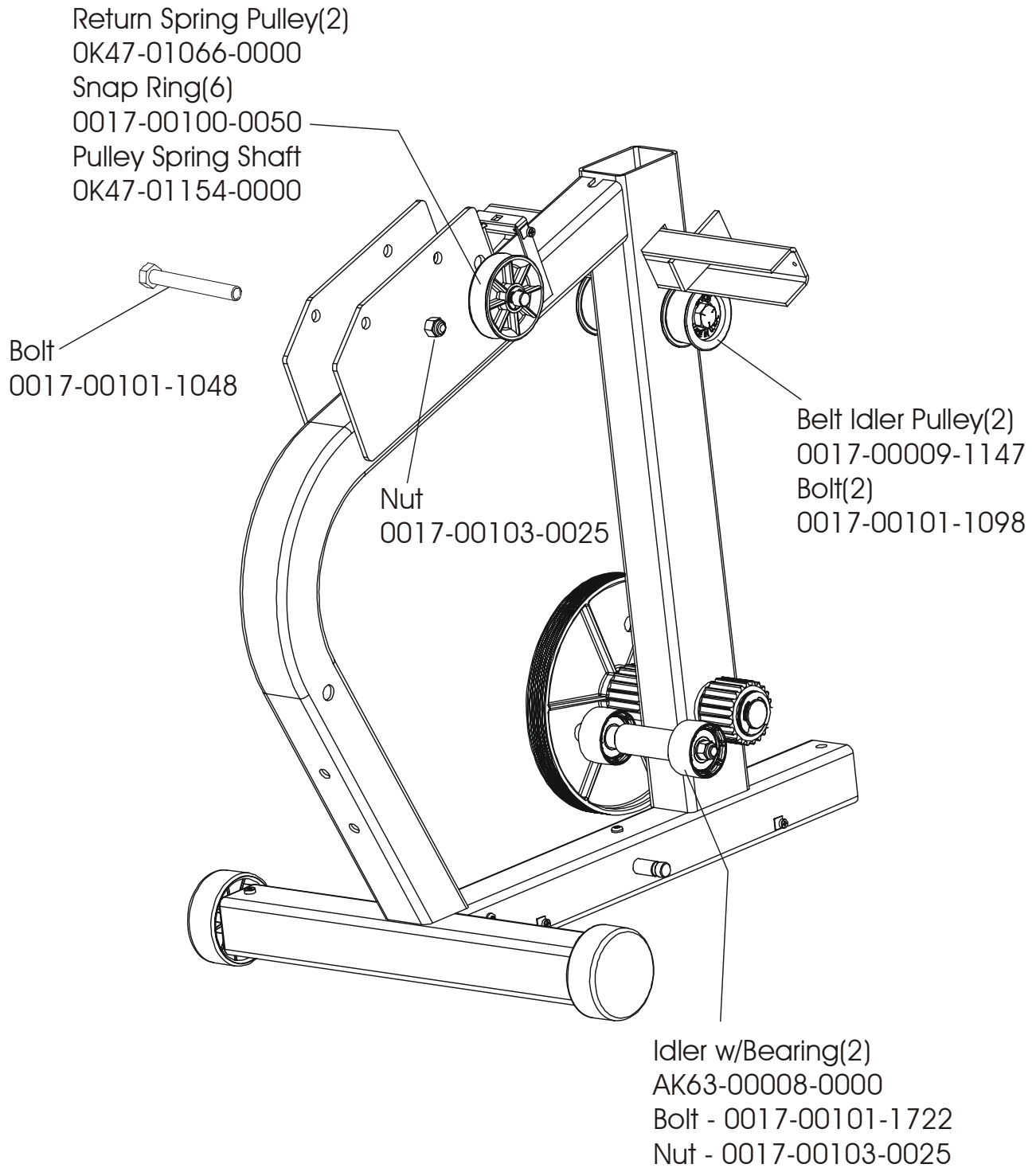
**ARCTIC SILVER 90SW**  
**Alternator Assembly**

**90SW-0XXX-02**  
**S/N AWA100000 and UP**



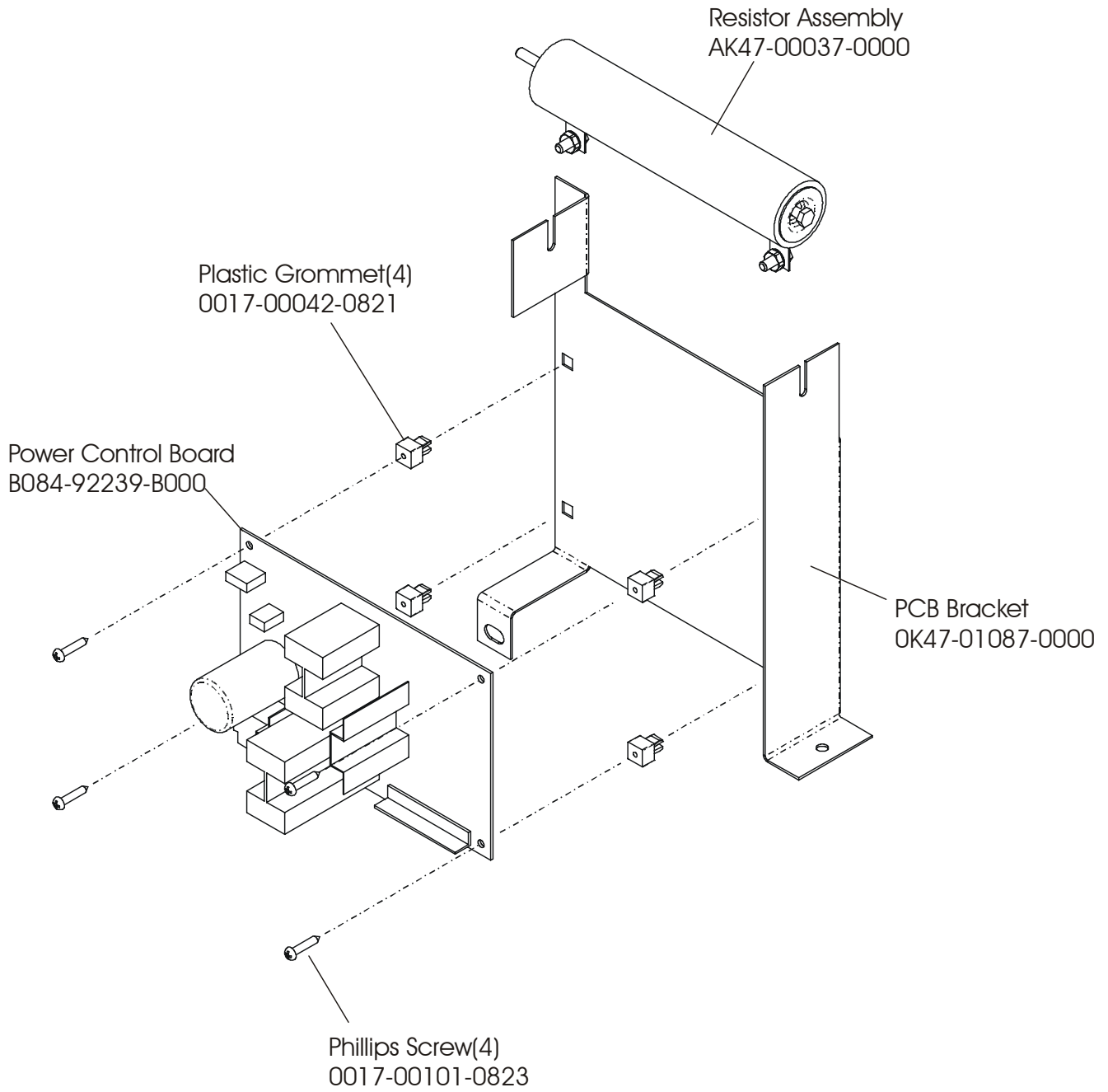
**ARCTIC SILVER 90SW**  
**Guide Rollers**

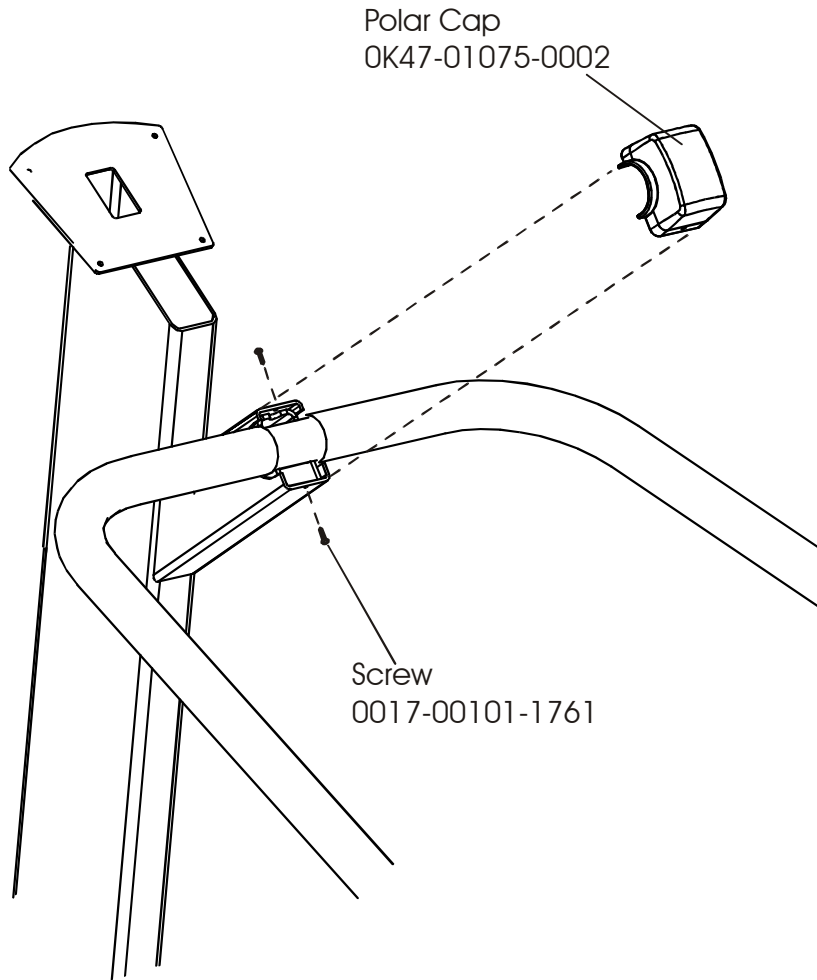
**90SW-0XXX-02**  
**S/N AWA100000 and UP**



**ARCTIC SILVER 90SW**  
**Power Control Board & Resistor**

**90SW-0XXX-02**  
**S/N AWA100000 and UP**

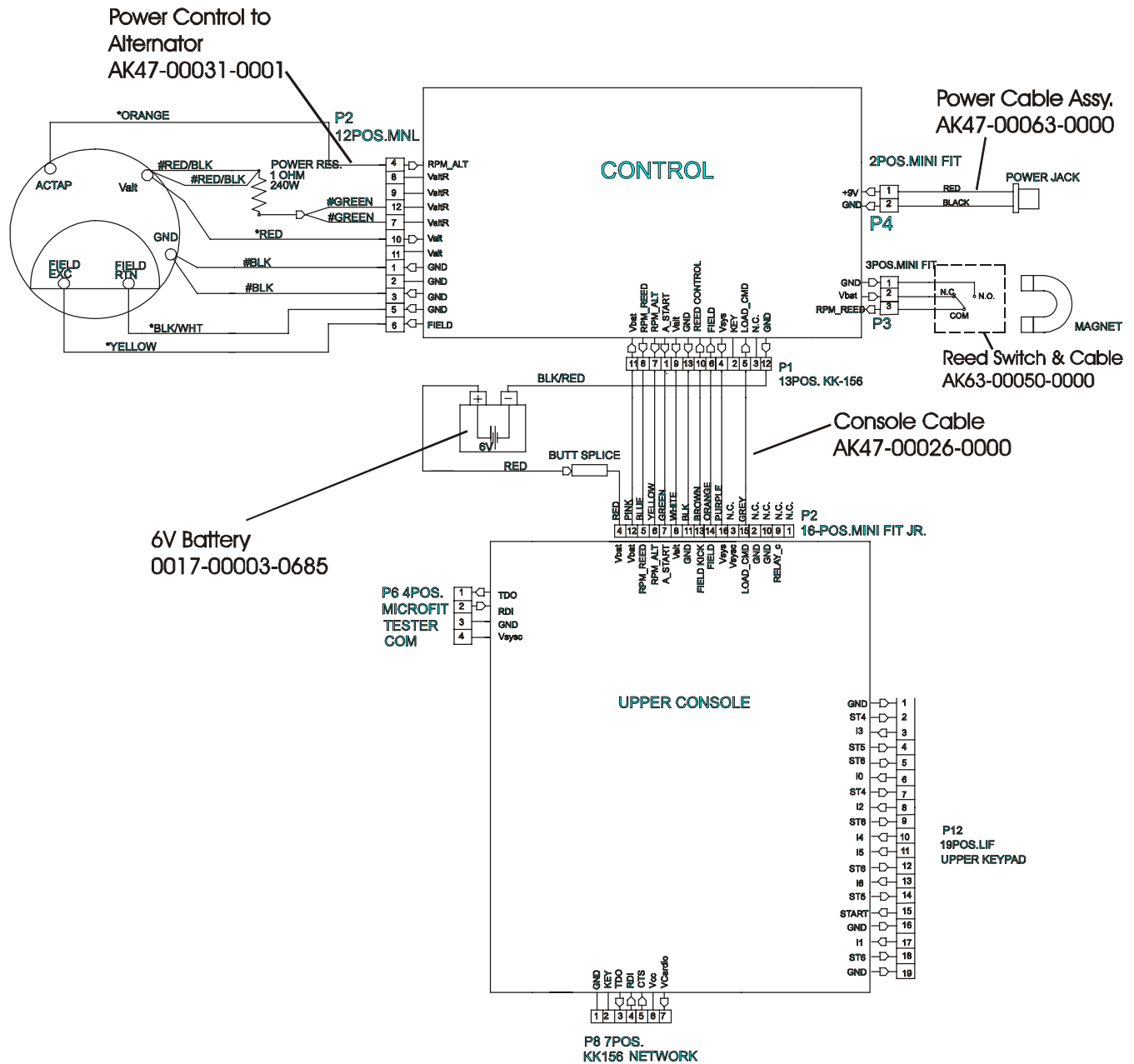




# ARCTIC SILVER 90SW

## Cables

90SW-0XXX-02  
S/N AWA100000 and UP



| Description                             | Part Number     |
|---|-----------------|
| Domestic 120/60 Battery Charge w/Cord   | 118E-00001-0165 |
| Universal Battery Charger w/o Line Cord | 118E-00001-0166 |
| Line Cord 220V/60Hz                     | 0017-00003-0704 |
| Line Cord 100V/50Hz                     |                 |
| Line Cord 240+                          | 0017-00003-0918 |
| Line Cord 220V/50Hz                     | 0017-00003-0691 |
| Line Cord 200V/50Hz                     |                 |
| Line Cord 230V/50Hz                     |                 |