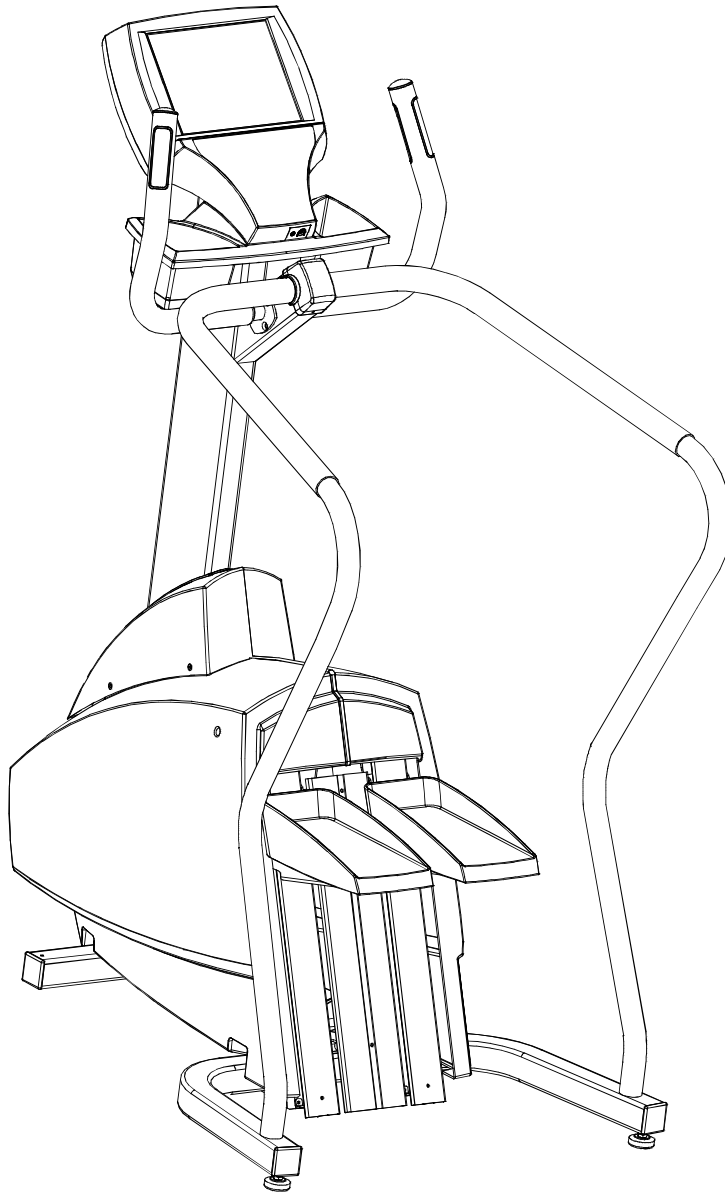


# *LifeFitness*

**STEPPER 95SE**



**Customer Support Services**  
***PARTS MANUAL*** rev 14 Jul 2008

## **STEPPER 95SE**

### **Notes:**

---

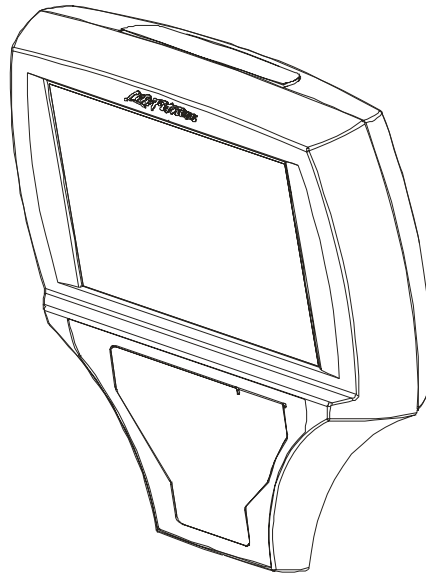
<b>Manual/Video</b>	<b>Part Number</b>
Operation Manual	M051-00K20-A387
Service Manual	M051-00K47-A013
Hardware Bag	AK47-00106-0000
Parts Bag	AK47-00123-0000
POWER SUPPLY 12V, 4.5A Without Line Cord	118E-00001-0161
LINE CORD, DOM. 10A 125V	0017-00003-0704
LINE CORD, CON. 10A 250V	0017-00003-0691
LINE CORD, 10A U.K.	0017-00003-0889
LINE CORD, AUSTRALIA	0017-00003-0918

# **STEPPER 95SE**

## **Contents**

---

	<b>PAGE</b>
<b>CONSOLE.....</b>	<b>4</b>
<b>CONSOLE COMPONENTS .....</b>	<b>5</b>
<b>FRAME COMPONENTS .....</b>	<b>6</b>
<b>SHROUDS.....</b>	<b>7</b>
<b>PEDAL ASSEMBLY.....</b>	<b>8</b>
<b>MAIN DRIVE PULLEY AND CLUTCH .....</b>	<b>9</b>
<b>LEFT CLUTCH ASSEMBLY .....</b>	<b>10</b>
<b>CROSSOVER PULLEY ASSEMBLY .....</b>	<b>11</b>
<b>ALTERNATOR ASSEMBLY .....</b>	<b>12</b>
<b>GUIDE ROLLERS .....</b>	<b>13</b>
<b>PCB AND RESISTOR .....</b>	<b>14</b>
<b>POLAR RECEIVER ASSEMBLY .....</b>	<b>15</b>
<b>CABLE .....</b>	<b>16</b>

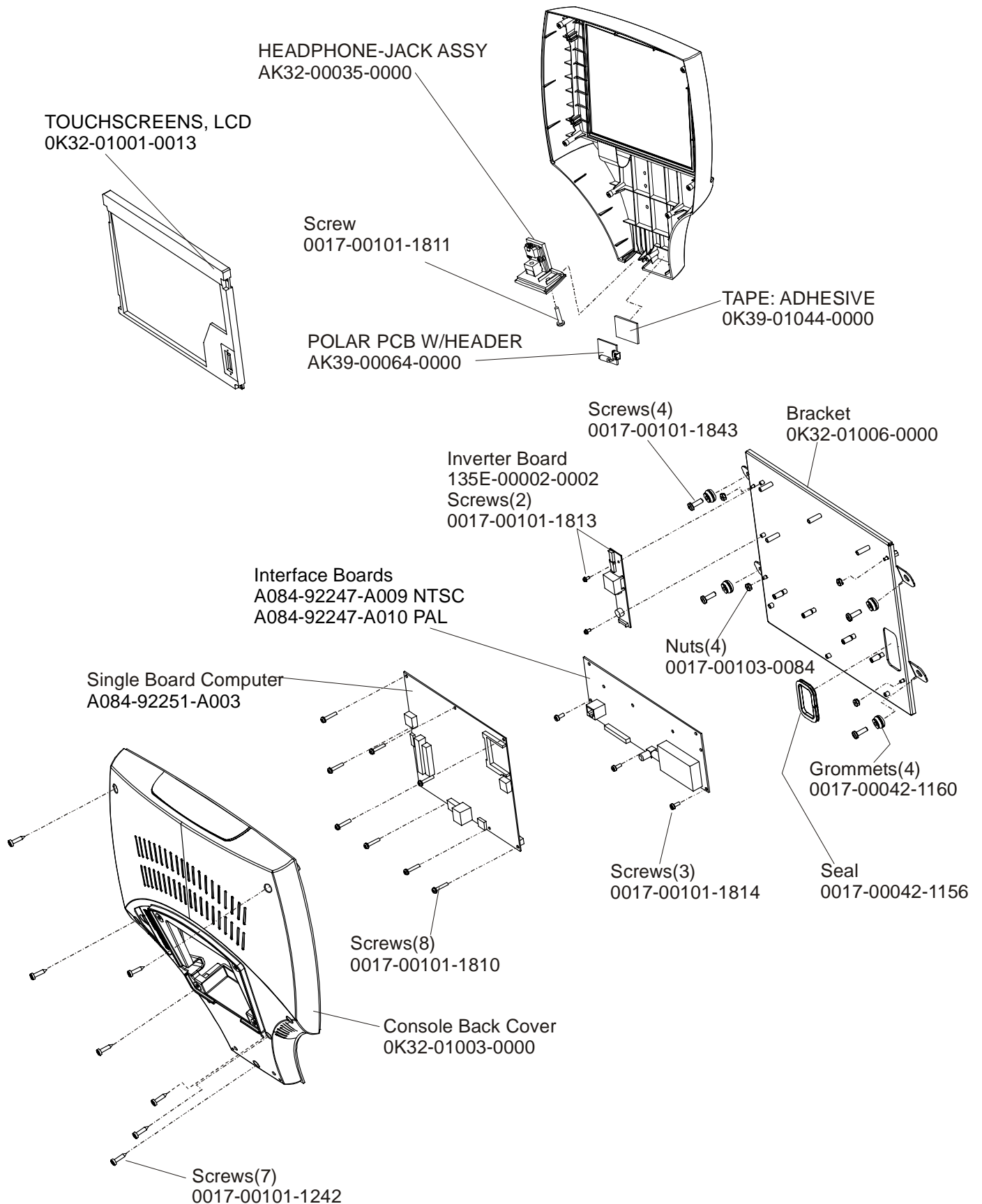


<b>CONSOLE ASSEMBLY</b>	
<b>Part Number</b>	<b>Description</b>
GK47-00002-0005	SERV KIT LCD CONS NTSC ENG
GK47-00002-0006	SERV KIT LCD CONS NTSC SPN
GK47-00002-0007	SERV KIT LCD CONS NTSC JAP
GK47-00002-0008	SERV KIT LCD CONS NTSC FRN
GK47-00002-0009	SERV KIT LCD CONS PAL ENG
GK47-00002-0010	SERV KIT LCD CONS PAL GER
GK47-00002-0011	SERV KIT LCD CONS PAL SPN
GK47-00002-0012	SERV KIT LCD CONS PAL FRN
GK47-00002-0013	SERV KIT LCD CONS PAL ITL
GK47-00002-0014	SERV KIT LCD CONS PAL DUT
GK47-00002-0015	SERV KIT LCD CONS PAL POR

<b>OVERLAY BEZEL ASSEMBLY</b>	
<b>Part Number</b>	<b>Description</b>
AK63-00247-0001	BZL/SW W/OVERLAY ASSY: MFG; ENG
AK63-00247-0003	BZL/SW W/OVERLAY ASSY: MFG; GER
AK63-00247-0004	BZL/SW W/OVERLAY ASSY: MFG; SPN
AK63-00247-0006	BZL/SW W/OVERLAY ASSY: MFG; JAP
AK63-00247-0007	BZL/SW W/OVERLAY ASSY: MFG; FRN
AK63-00247-0008	BZL/SW W/OVERLAY ASSY: MFG; ITL
AK63-00247-0009	BZL/SW W/OVERLAY ASSY: MFG; DUT
AK63-00247-0010	BZL/SW W/OVERLAY ASSY: MFG; POR
AK47-00145-0001	BZL/SW OVERLAY ASSY: ENG/PAL
AK47-00145-0003	BZL/SW OVERLAY ASSY: GER/PAL
AK47-00145-0001	BZL/SW OVERLAY ASSY: SPN/PAL
AK47-00145-0007	BZL/SW OVERLAY ASSY: FRN/PAL
AK47-00145-0008	BZL/SW OVERLAY ASSY: ITL/PAL
AK47-00145-0009	BZL/SW OVERLAY ASSY: DUT/PAL
AK47-00145-0010	BZL/SW OVERLAY ASSY: POR/PAL

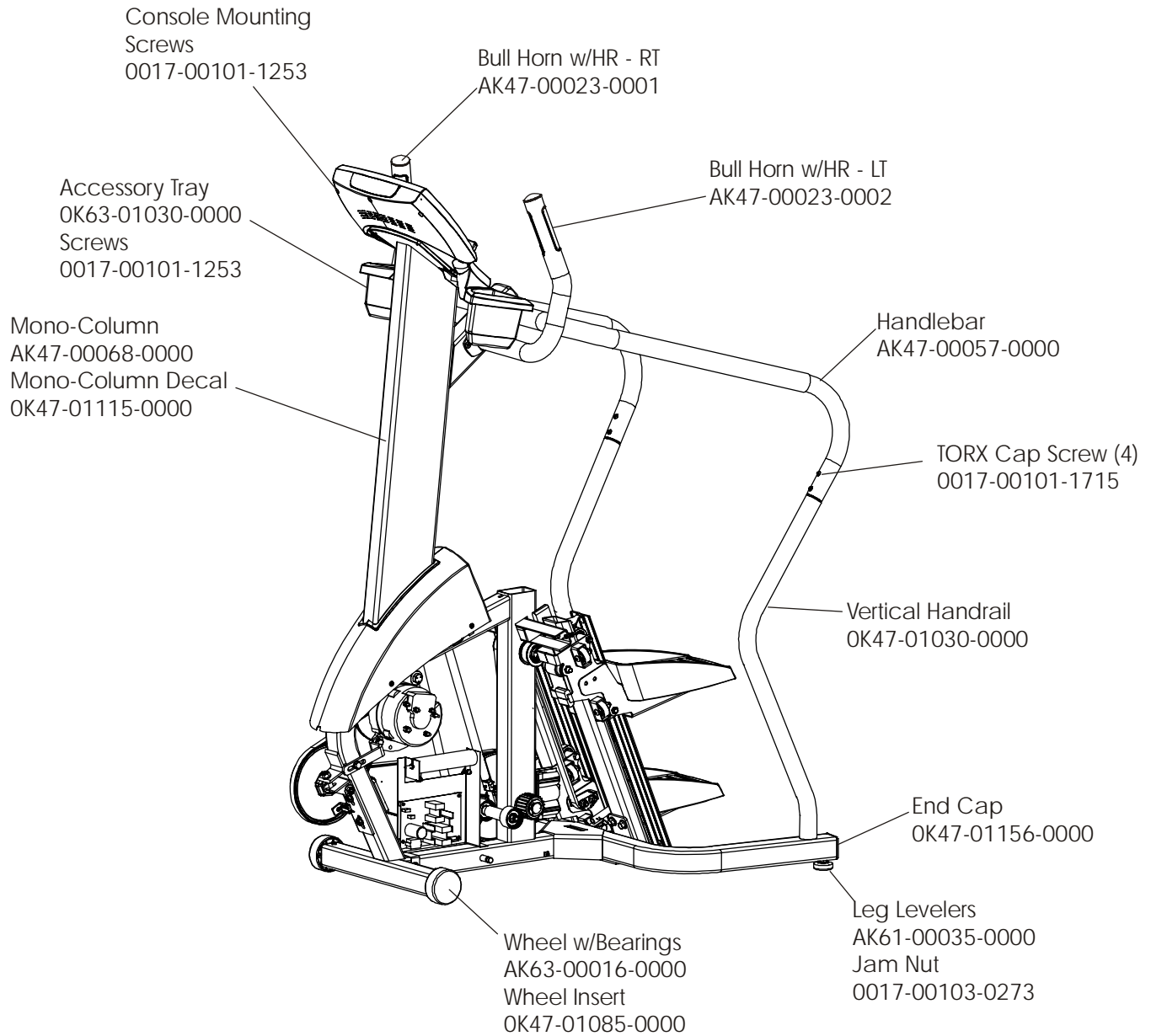
**Stepper 95SE**  
**Console Components**

**95SE-0\_\_-01**  
**S/N SCE10000 and up**



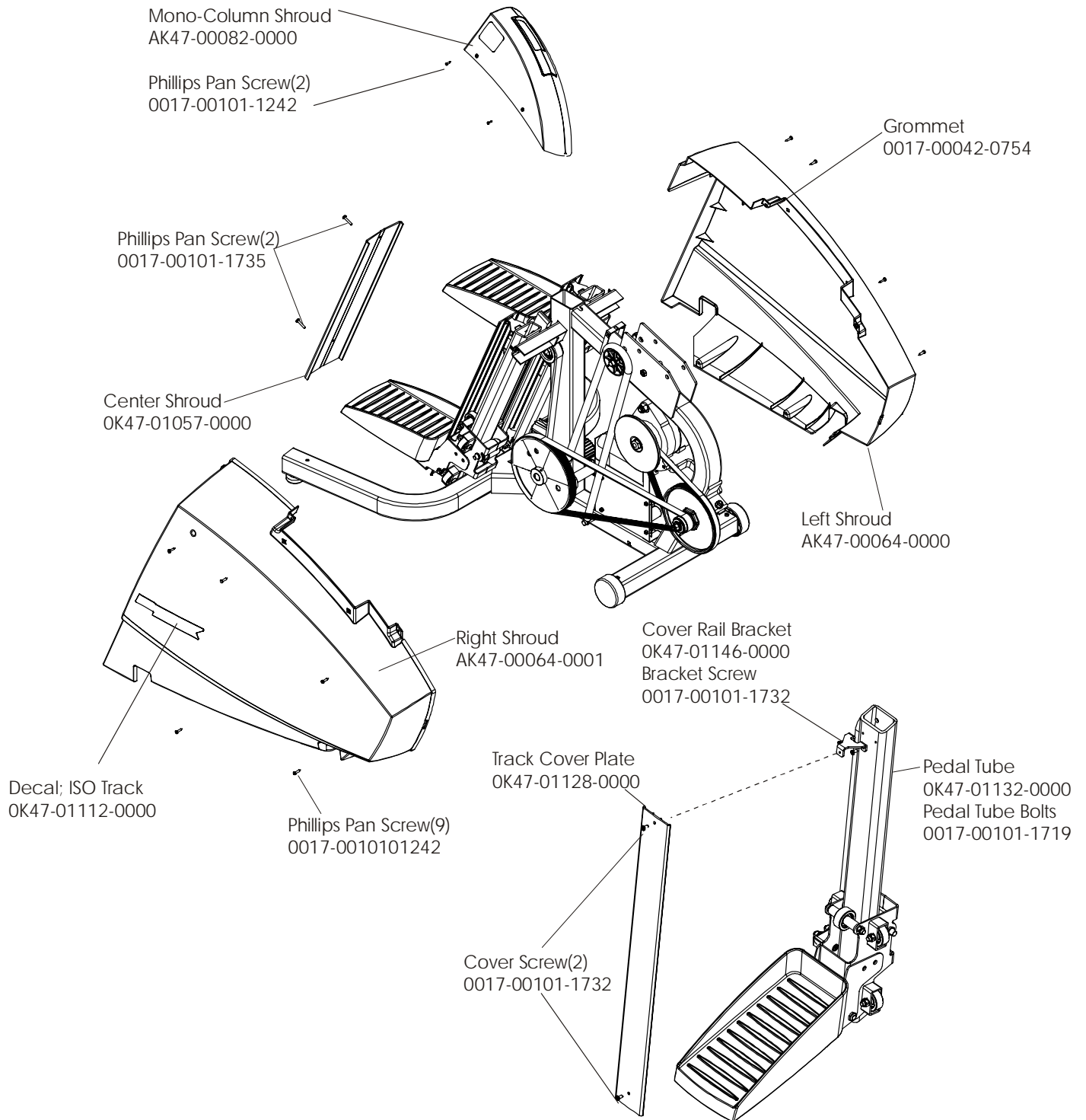
# Stepper 95SE Frame Components

95SE-0\_\_-01  
S/N SCE10000 and up



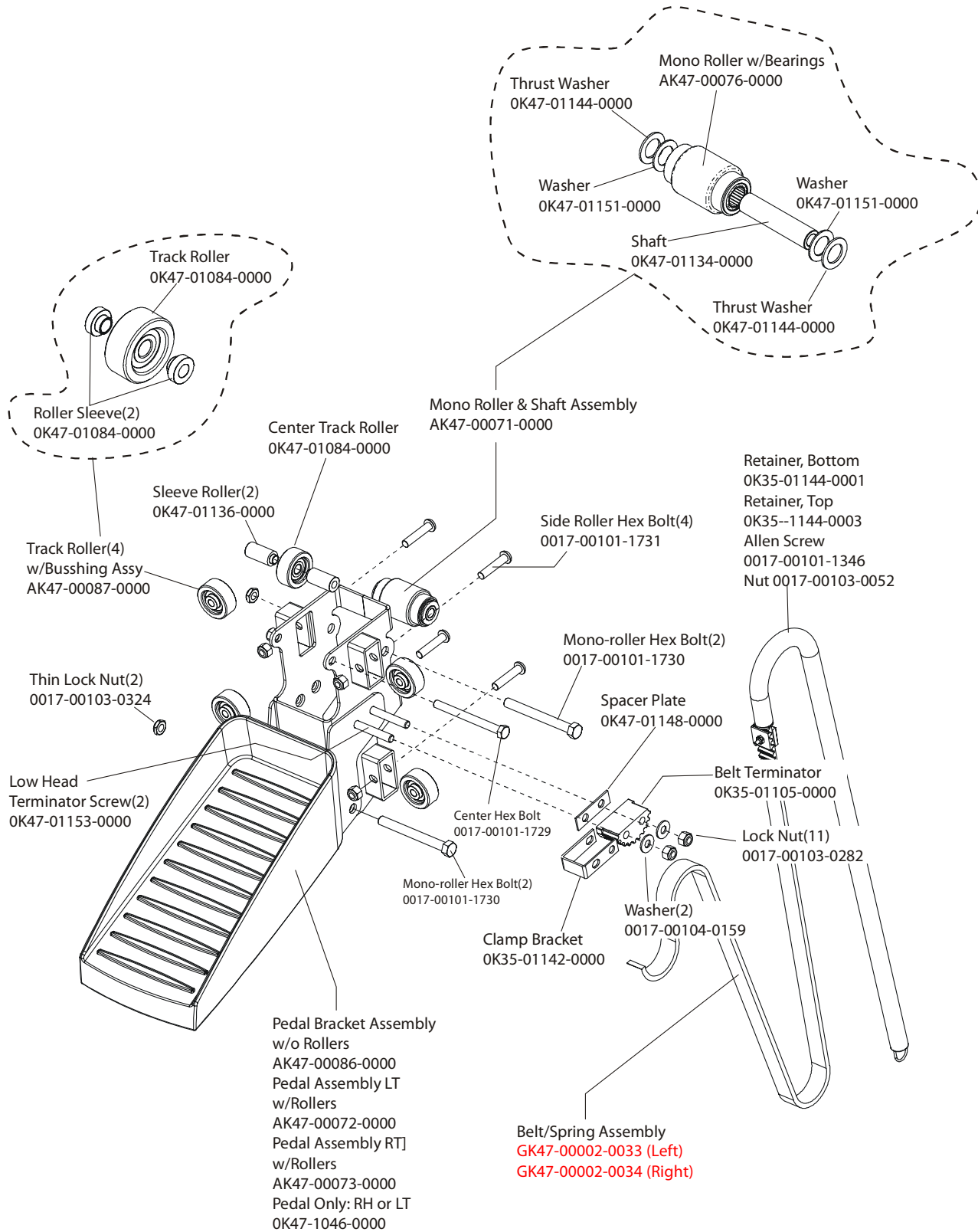
# Stepper 95SE Shrouds

95SE-0\_\_-01  
S/N SCE100000 and up



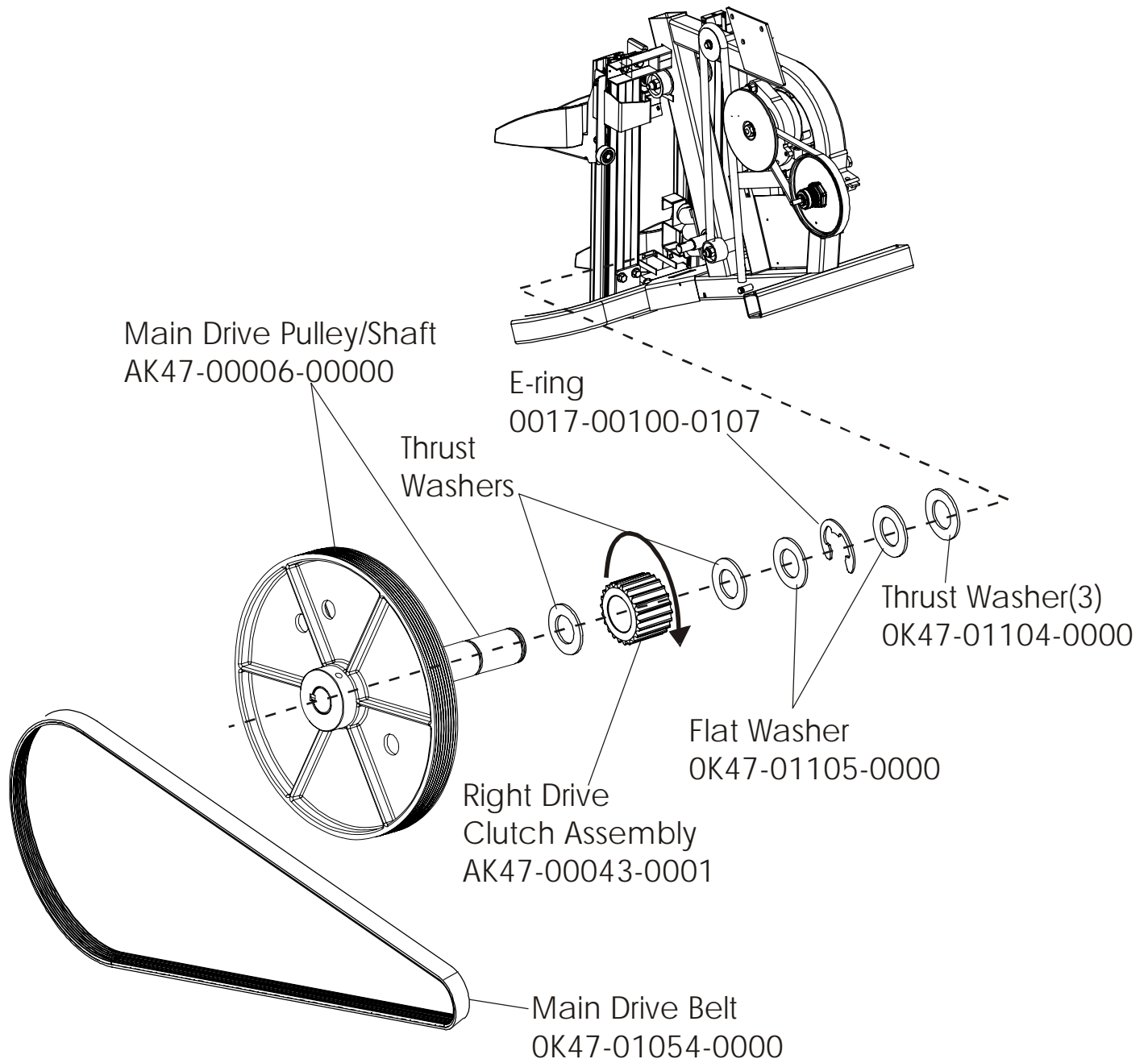
# Stepper 95SE Pedal Assembly

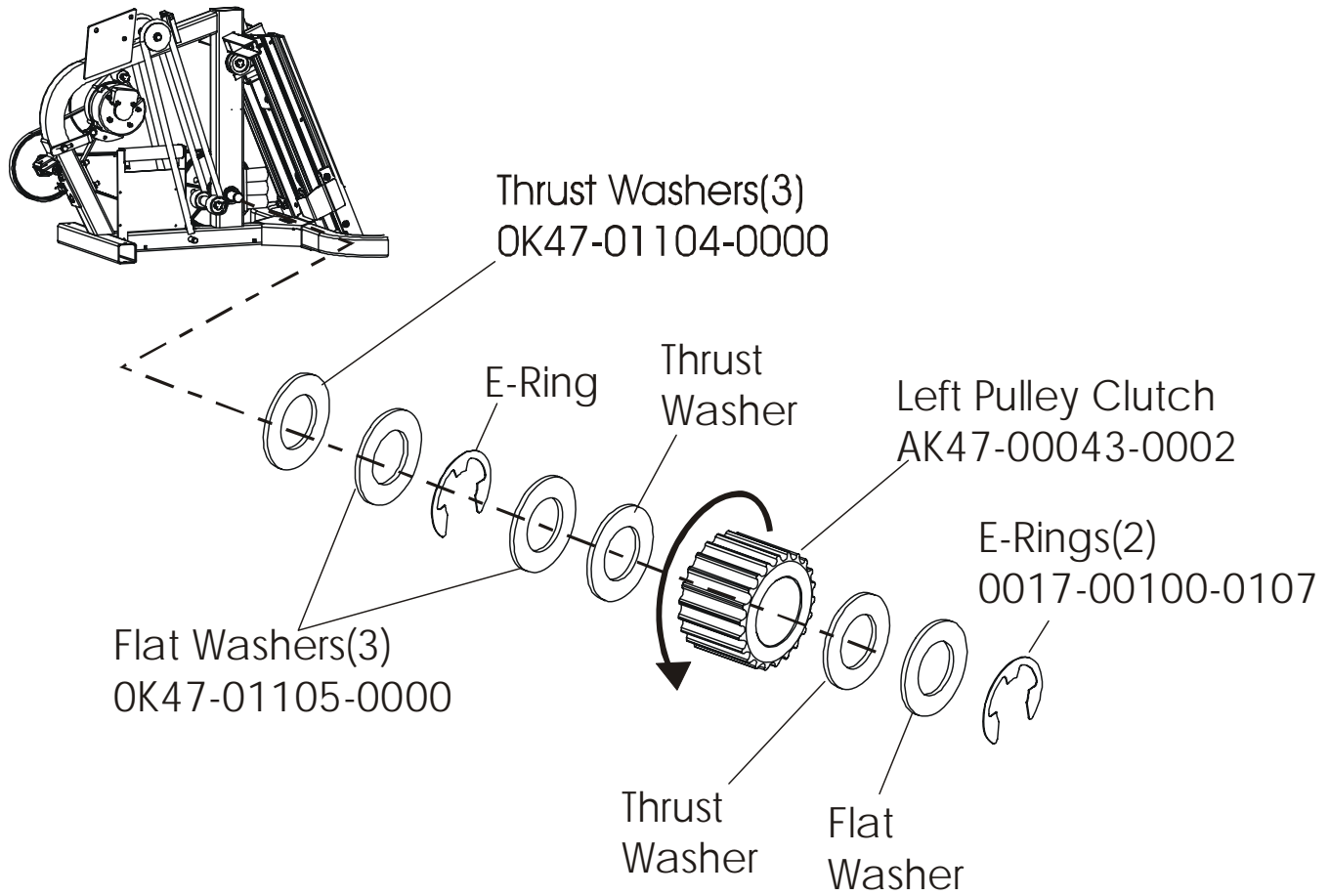
95SE-0\_\_-01  
S/N SCE100000 and up



**Stepper 95SE**  
**Main Drive Pulley and Clutch**

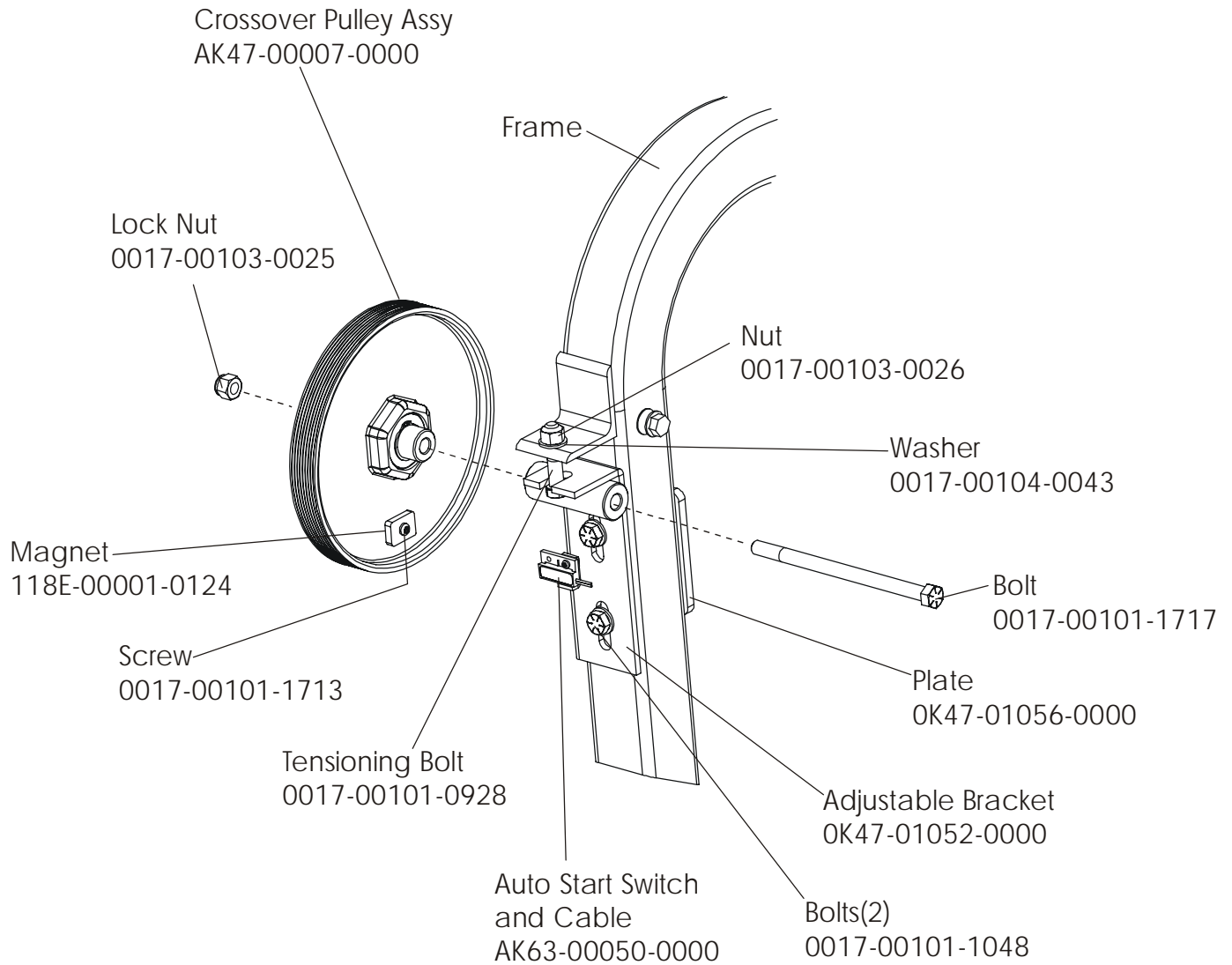
**95SE-0\_\_-01**  
**S/N SCE100000 and up**





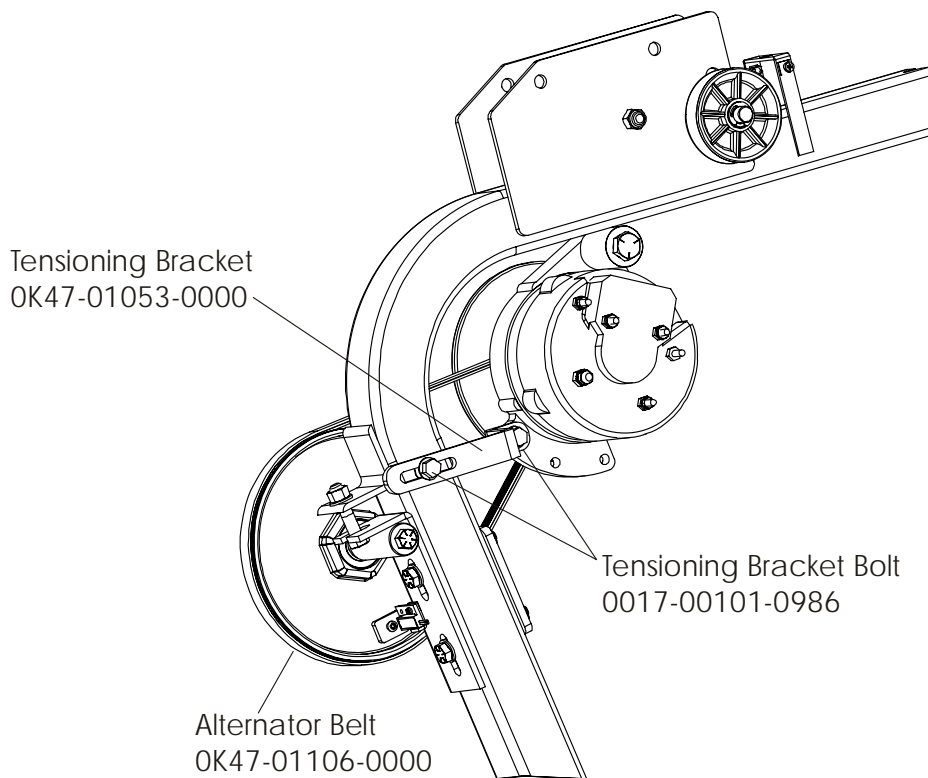
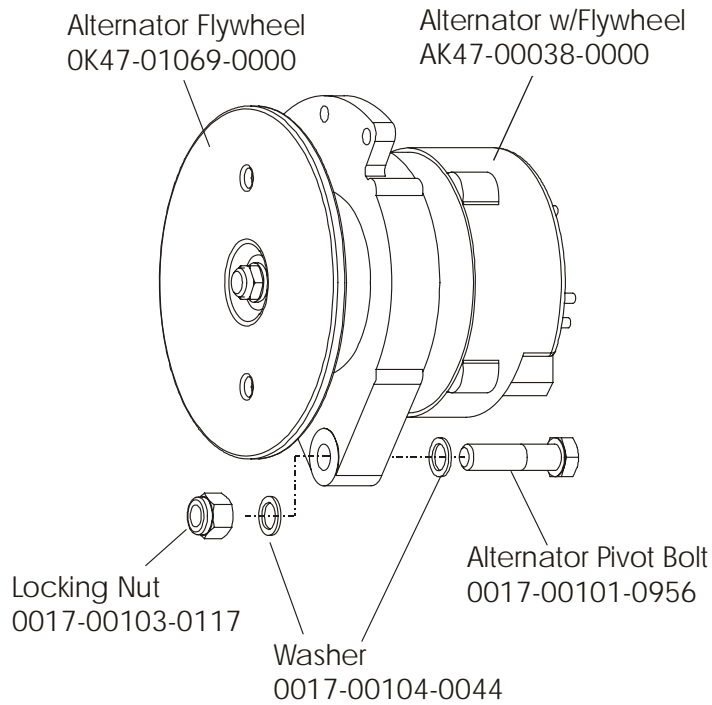
**Stepper 95SE**  
**Crossover Pulley Assembly**

**95SE-0\_\_-01**  
**S/N SCE100000 and up**



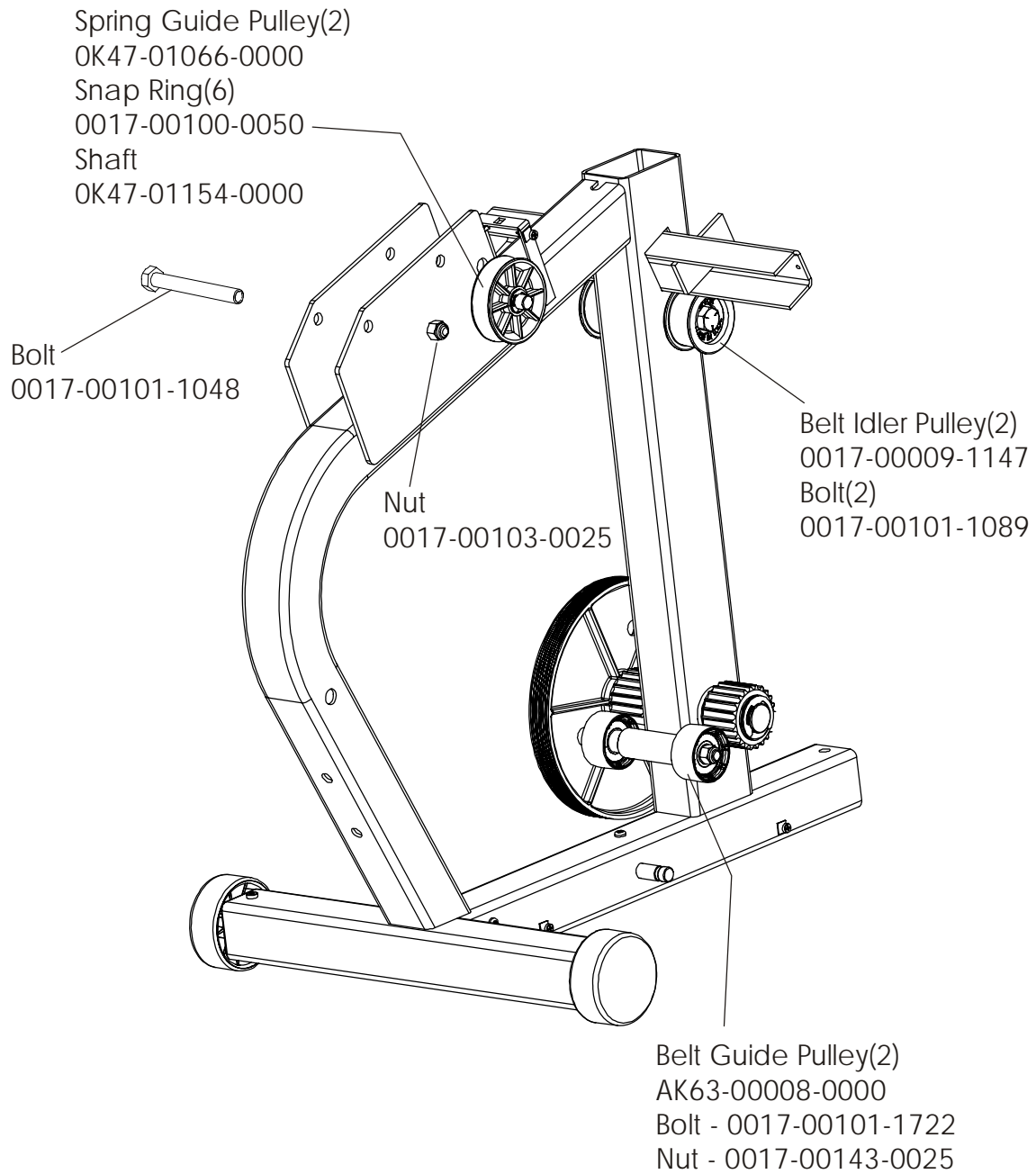
**Stepper 95SE**  
**Alternator Assembly**

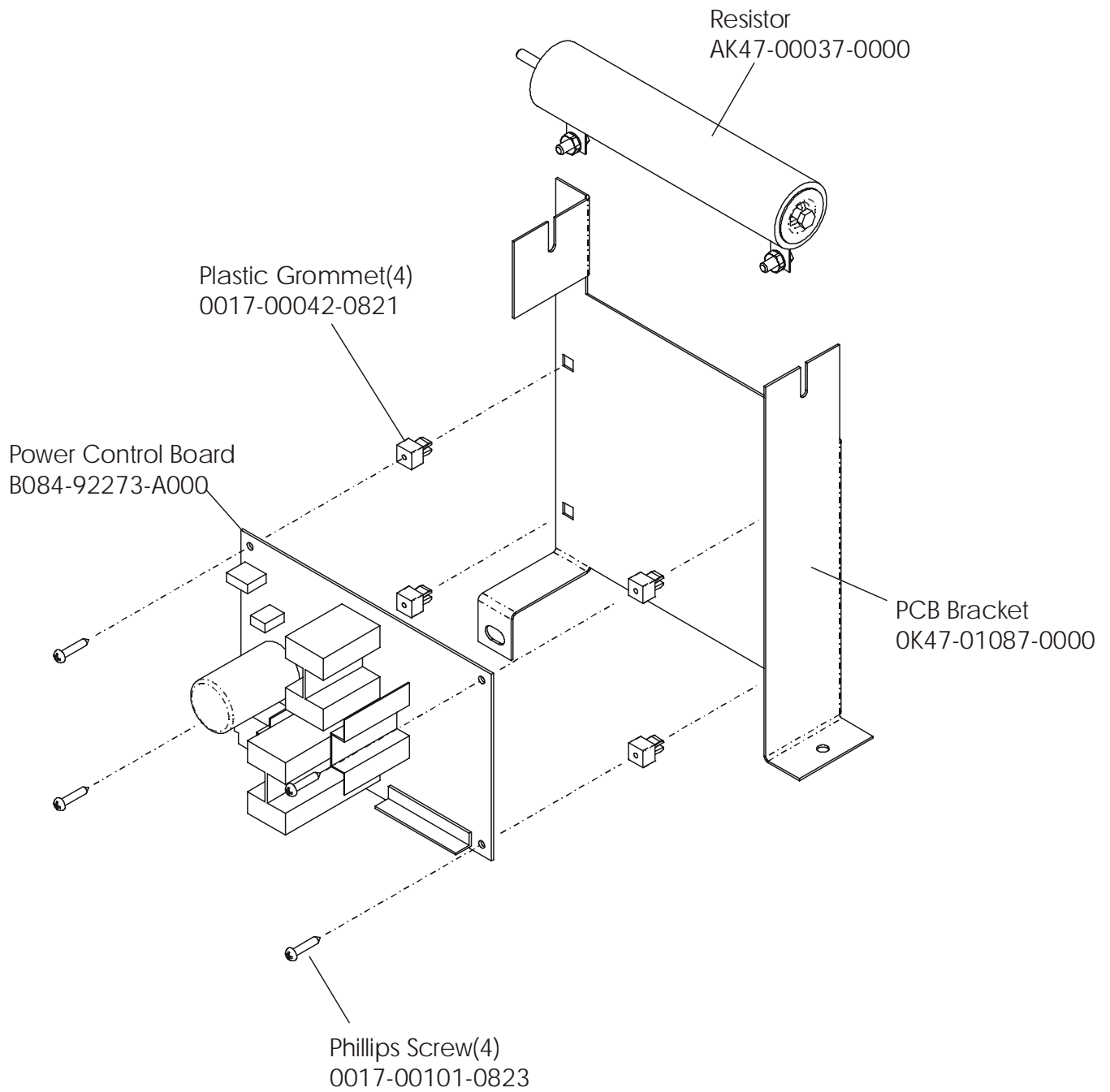
**95SE-0\_\_-01**  
**S/N SCE100000 and up**

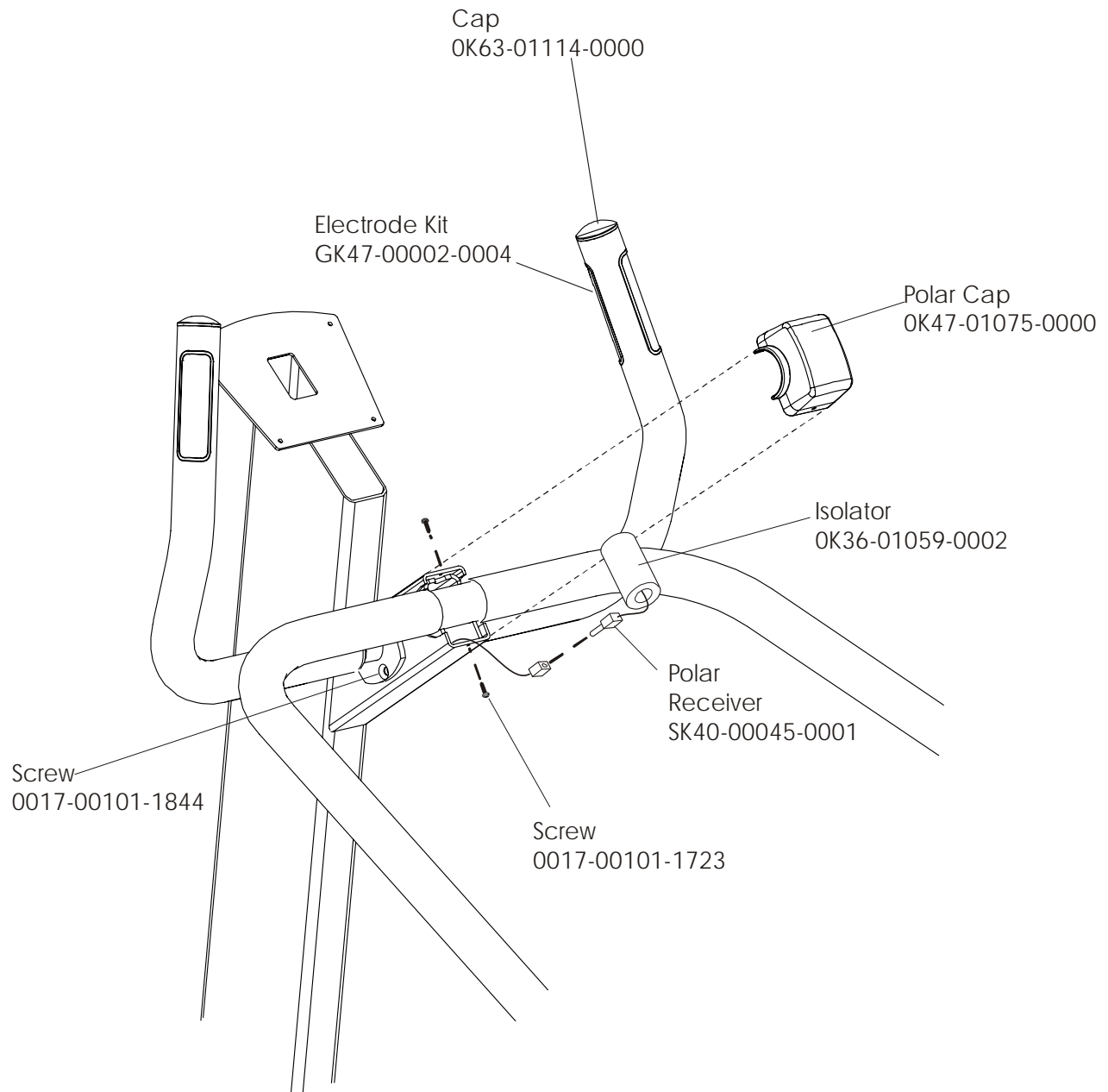


**Stepper 95SE**  
**Guide Rollers**

**95SE-0\_\_-01**  
**S/N SCE100000 and up**







# Stepper 95SE Cable

95SE-0\_\_-01  
S/N SCE10000 and up

