

Serial Number Ranges

Ramsey Produced:

SS-GL0714001 - SS-GL0718B049

Hungarian Produced:

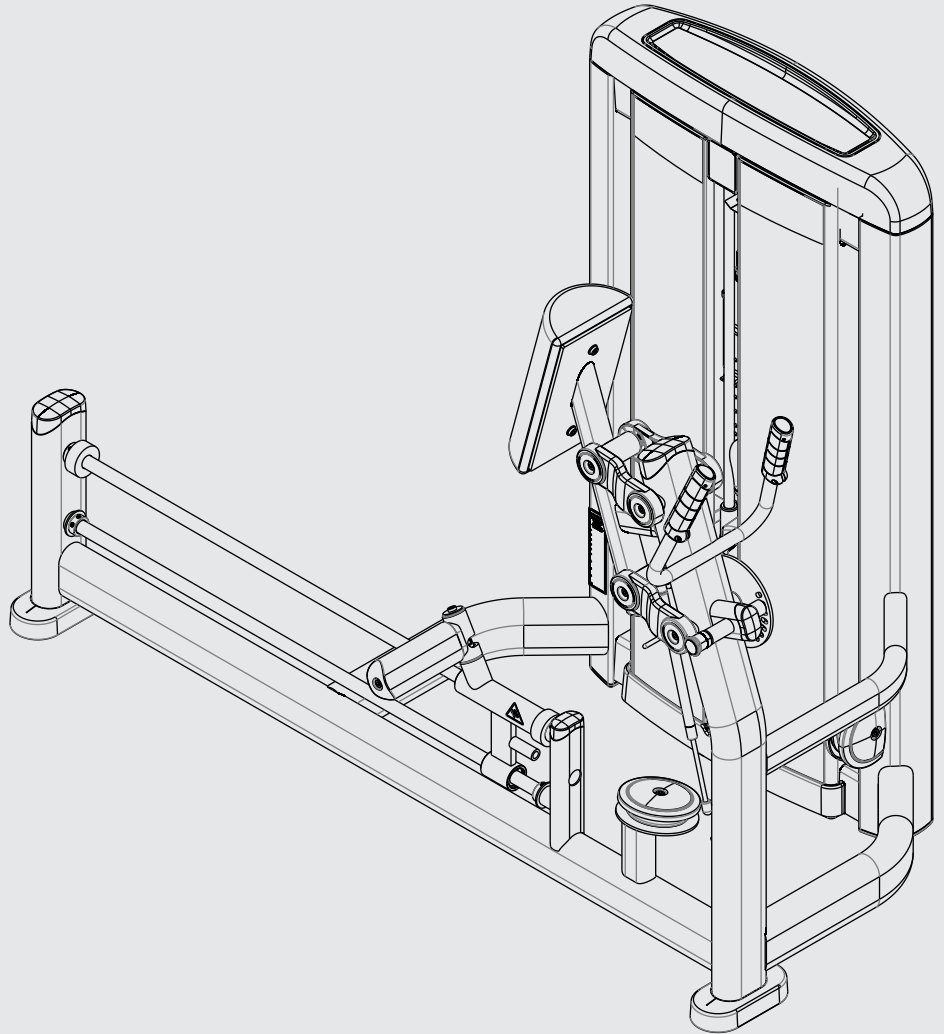
101430G00001 - 101833G07826

INSIGNIA SERIES

GLUTE

SS-GL

PARTS MANUAL



Insignia Series Glute

Contents

Options and Key	3
Powder Coat Painted Frame Weldments	4
Component Assembly	5
Chest Support Components	6
Labels	7
Table	8
Tower Plastics	9
Shroud Wraps	10
Weight Stack Assemblies	11
T Trim Head Plate and Drop Down Increment Weights	12
C and X Trim Stack Components	13
C and X Trim Head Plate Assemblies	14
C and X Trim Incremental Weights	15
Stack Pulleys	16
Grip Assemblies	17
Sensor Assemblies	18

Insignia Series Glute

Options and Key

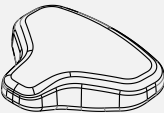
FRAME COLOR OPTION

SELECT POWDERCOAT COLOR

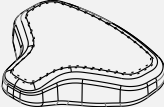
- BLACK
- BLUE
- CANDY APPLE RED
- CHARCOAL
- DIAMOND WHITE
- ELECTRIC BLUE
- ICE BLUE METALLIC
- MIDNIGHT METALLIC
- MOCHA SAND
- NICKEL
- PLATINUM
- RED
- TITANIUM
- WHITE
- YELLOW
- CUSTOM

UPHOLSTERY OPTION

SINGLE STITCH



DOUBLE STITCH



UPHOLSTERY COLOR OPTION

- AMERICAN BEAUTY RED
- AZURE
- BLACK
- BLACK CARBON FIBER
- BURGUNDY
- CANDLY APPLE RED
- CHESTNUT
- CONCORD
- CRANBERRY
- CROCUS
- DARK WALNUT
- DOVE GRAY
- EMERALD
- GRAPHITE
- GROTTTO
- GUN METAL
- HUNTER GREEN
- IMPERIAL BLUE
- JADE
- NAVY
- NORTHWOODS GREEN
- PAPRIKA
- PLUM
- PUTTY
- REGIMENTAL BLUE
- ROYAL BLUE
- SLATE
- SPACE BLUE
- SUEDE
- TERRA COTTA
- TURQUOISE
- WHEAT
- CUSTOM

LANGUAGE OPTION

SELECT LANGUAGE

- 01 ENGLISH
- 02 GERMAN
- 03 FRENCH
- 04 SPANISH
- 05 ITALIAN
- 06 DUTCH
- 07 JAPANESE
- 08 PORTUGUESE
- 10 RUSSIAN
- 11 TURKISH
- 12 CHINESE
- 13 ARABIC

WEIGHT STACK OPTION

- T - BASE STACK
- C - LIGHT STACK
- X - HEAVY STACK

POUNDS

KILOGRAMS

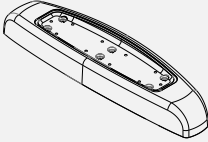

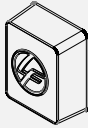
SHROUD WRAP OPTION

- BAMBOO
- BLACK CARBON FIBER
- BRONZE
- FULL SHROUD
- PREMIUM STAINLESS STEEL
- ROSEWOOD
- SKY
- STAINLESS STEEL
- STEM
- CUSTOM

TRIM OPTION

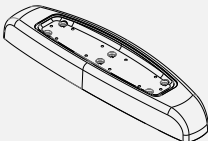

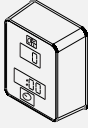
S

PLASTIC TOWER CAP
STANDARD GRIP
NO REP COUNTER

L

PAINTED CAST TOWER CAP
ERGO GRIP
REP COUNTER

KEY

LANGUAGE 1 2 3

Items with Black call-outs require the last two digits (XX) to be replaced with language codes listed above. IE: 12345XX should be 1234501 for English.

UPHOLSTERY 1 2 3

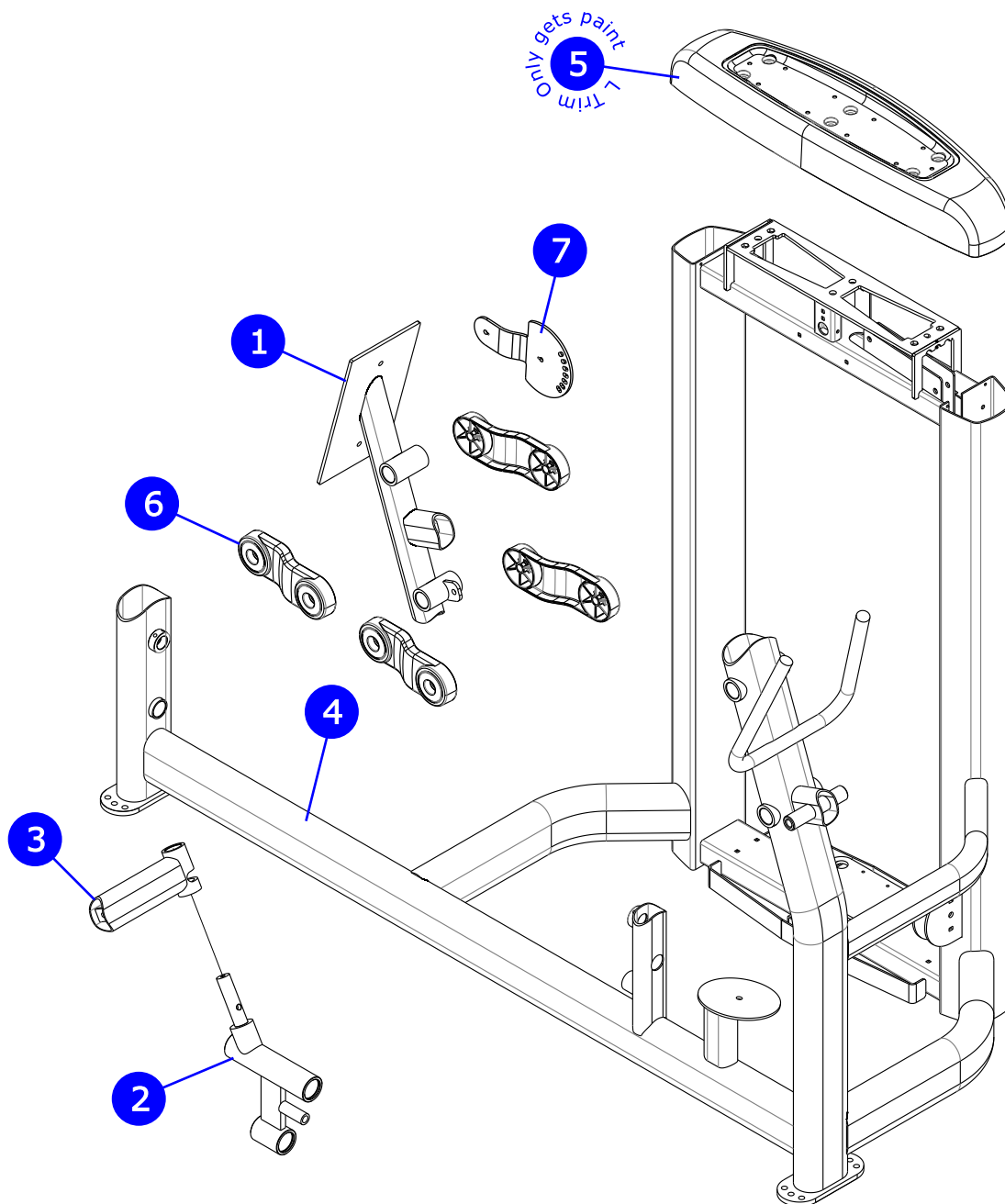
Items with Gray call-outs require the upholstery color within the order notes. IE: Putty.

FRAME COLOR 1 2 3

Items with Blue call-outs require the powder coat frame color to be within the order notes.

Insignia Series Glute

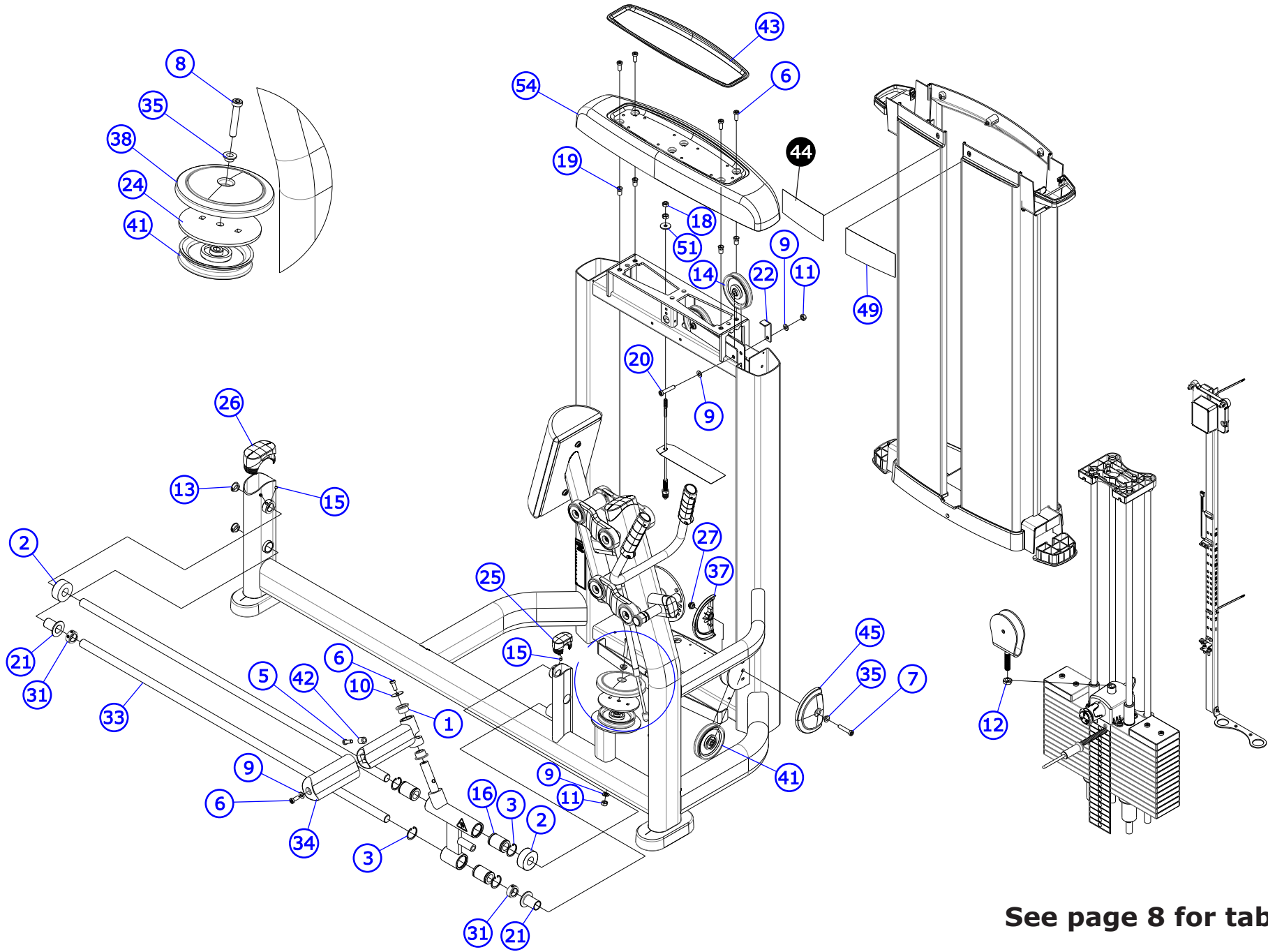
Powder Coat Painted Frame Weldments



ITEM NO.	QTY.	PART NO.	DESCRIPTION	TRIM	
1	1	7619499	WLDMT, FZGL CHEST SUPPORT	S	L
2	1	9486799	WLDMT, SS-GL CART	S	L
3	1	9486699	WLDMT, SS-GL FOOT BAR	S	L
4	1	POSSIBLE RMA	WLDMT, SS-GL FRAME	S	L
5	1	9412699	CAP, SS CAST	-	L
6	4	9343999	LINK, SS, CHEST	S	L
7	1	9486301	BRKT, SS-GL PIVOT ADJ LINK	S	L

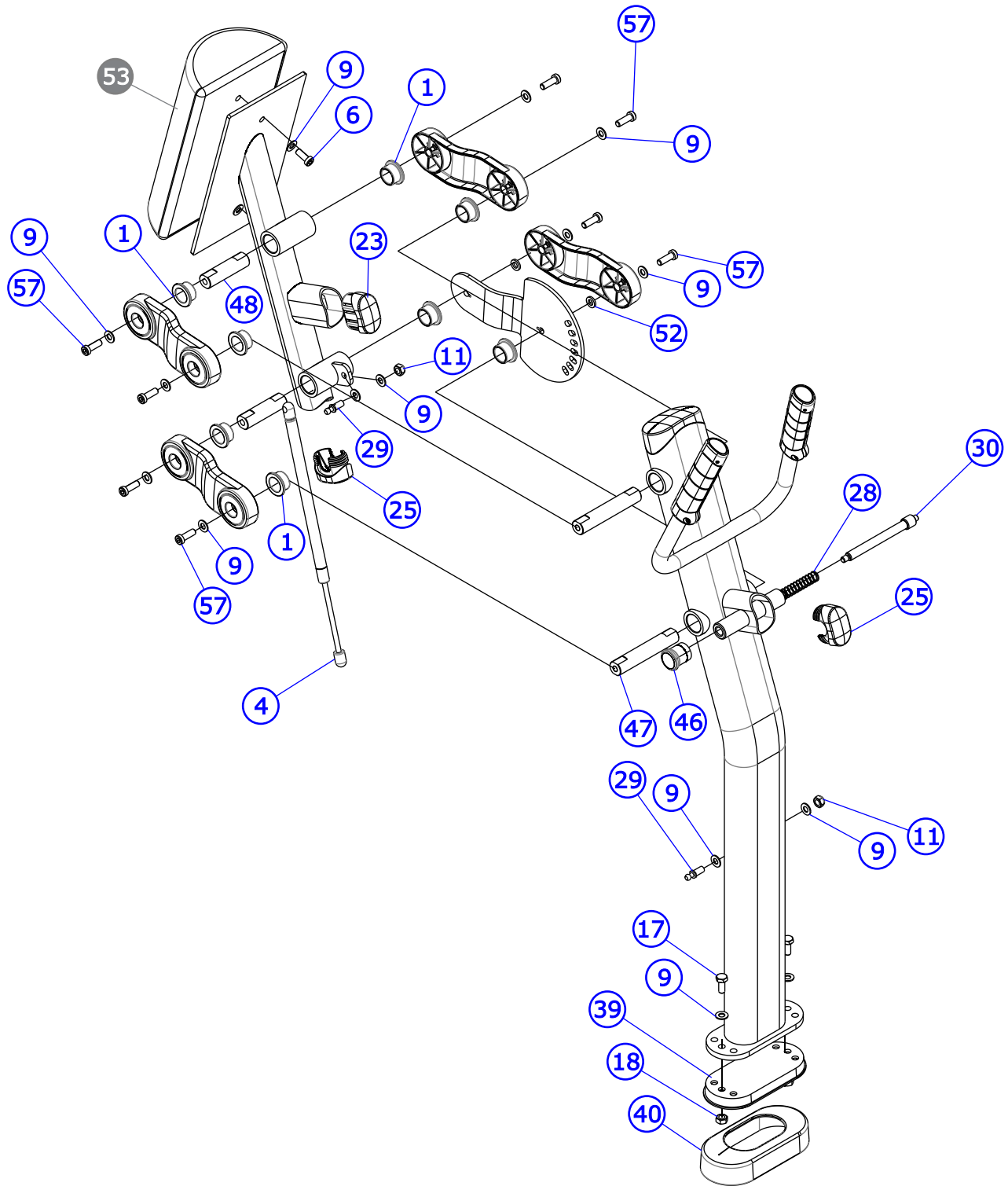
ITEMS ON THIS PAGE ARE POWDER COAT PAINTED. REFER TO PAGE 3 FOR ORDERING INSTRUCTIONS.

Insignia Series Glute Component Assembly



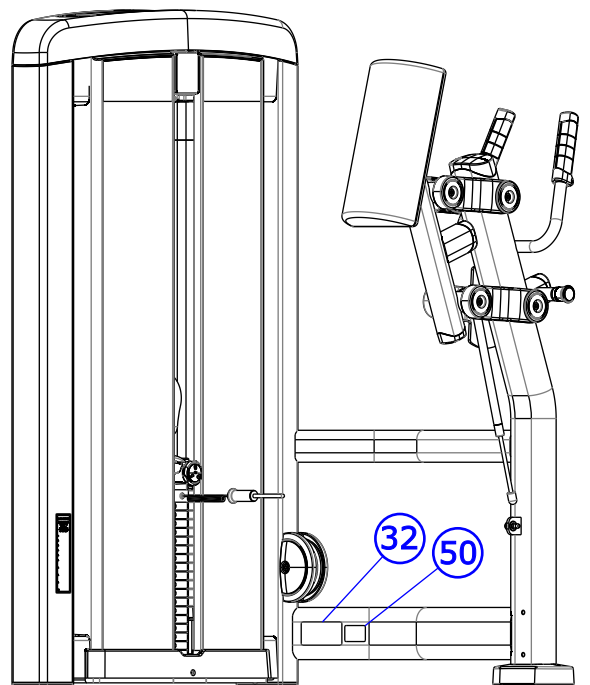
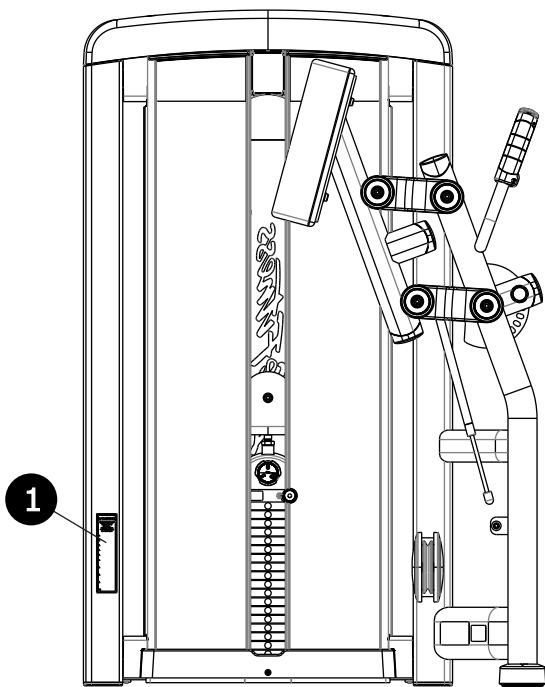
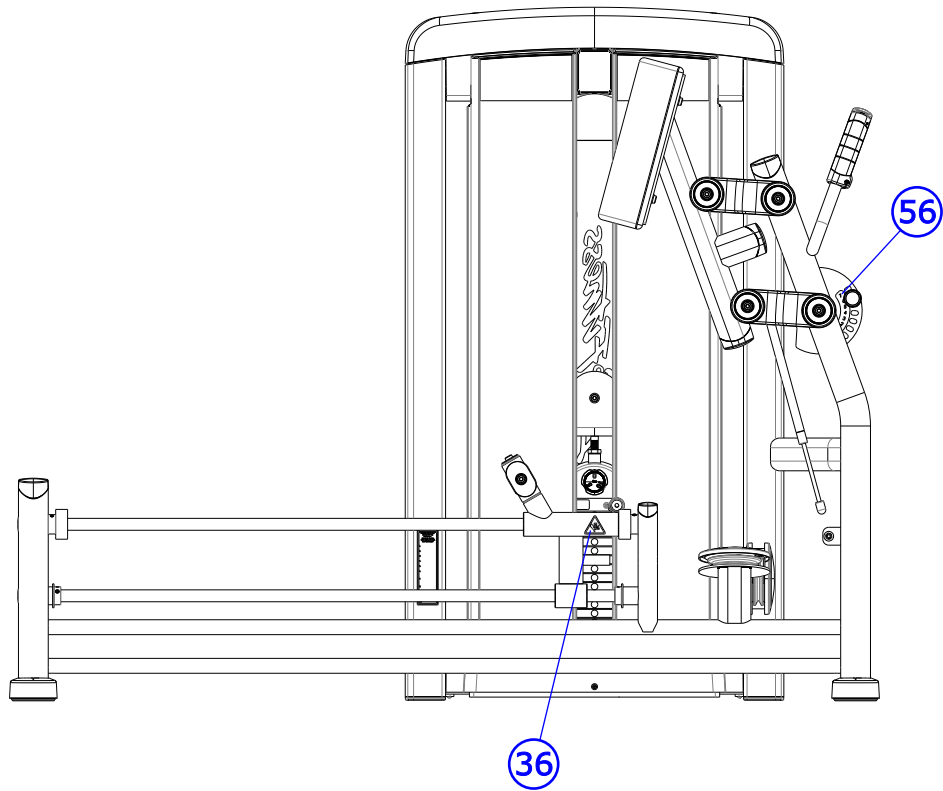
See page 8 for table

Insignia Series Glute Chest Support Components



See page 8 for table

Insignia Series Glute Labels

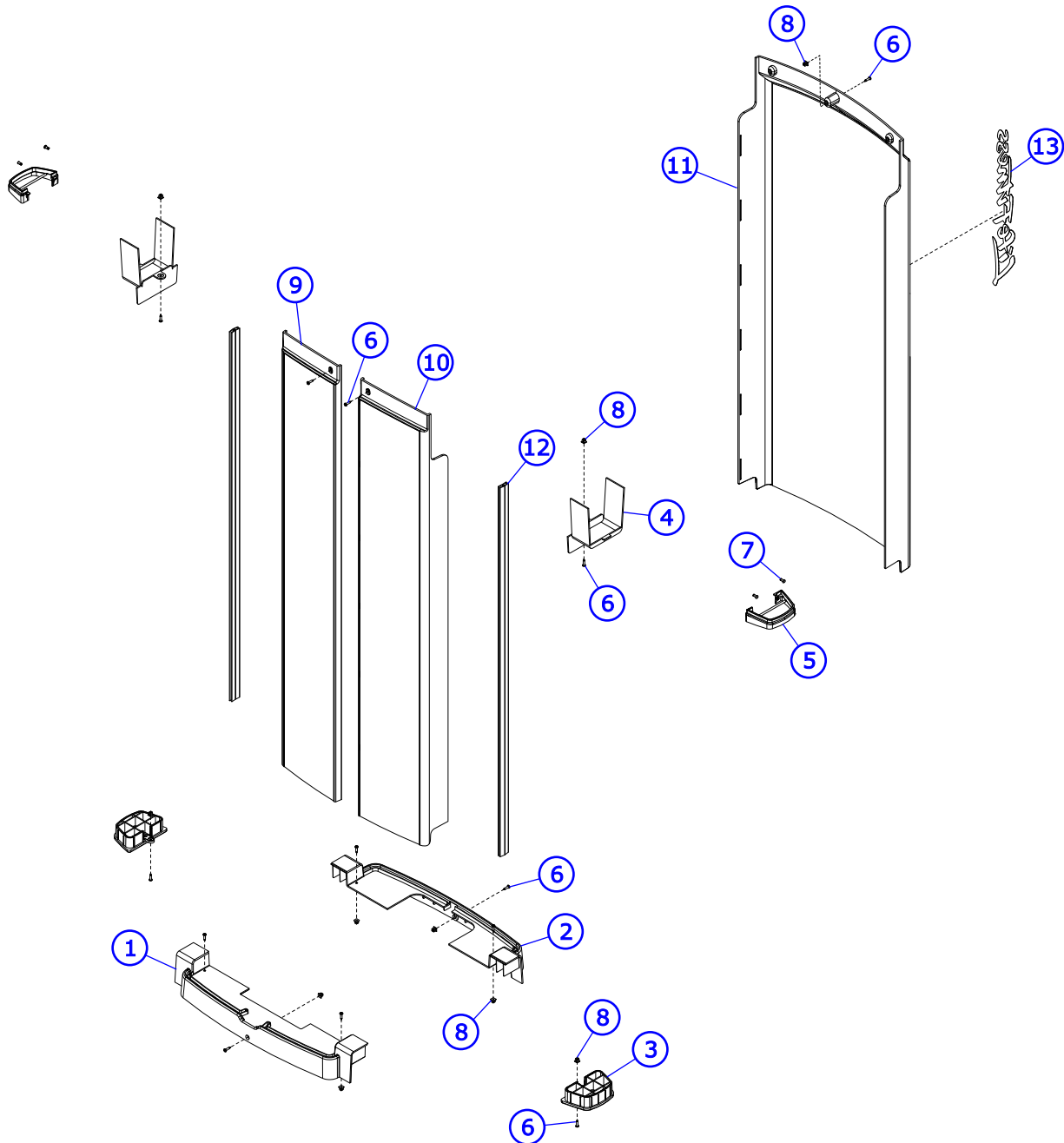


See page 8 for table

Insignia Series Glute Table

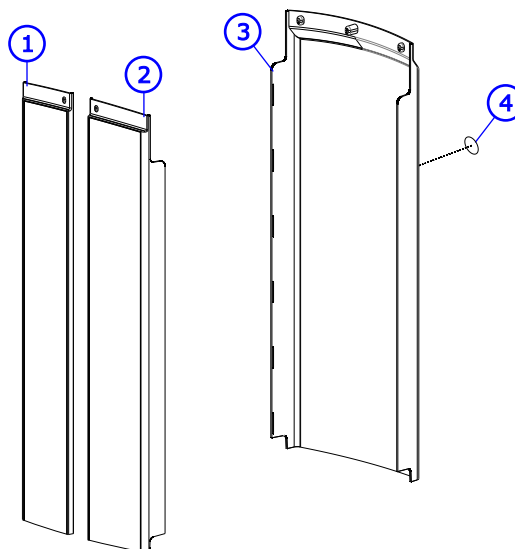
ITEM NO.	QTY.	PART NO.	DESCRIPTION	TRIM	
1	10	3104903	1.00" ID 1.25" OD BRONZ BUSHING	S	L
2	2	3108001	CUSHION, WEIGHT STACK	S	L
3	4	3202601	RING, INCH SERIES INT RETAINING	S	L
4	1	3235703	SPRING, GAS 80N	S	L
5	1	3236203	SCREW, M10 X1.5 30MM	S	L
6	8	3236202	SCREW, M10 X1.5 25MM	S	L
7	1	3236207	SCREW, M10 X1.5 50MM	S	L
8	1	3236208	SCREW, M10 X1.5 55MM	S	L
9	24	3236601	WASHER, 3/8 SAE SS	S	L
10	1	3236701	WASHER, FENDER 3/8" ID X 1.5" OD SS	S	L
11	5	3236801	NUT, M10 HEX NYLOCK SS	S	L
12	1	3236902	NUT, HEX JAM M16 X 2 SS	S	L
13	2	3237407	PLUG, 1" HOLE	S	L
14	3	3237802	PULLEY, 1/4 IN CABLE (T3), 4.5 IN OD	S	L
15	4	3242901	SCREW, SET BO	S	L
16	3	3245601	BEARING, LINEAR 1" ID	S	L
17	4	3251202	SCREW, M10 X1.5 X 25MM UNS HEX CS ST ZN	S	L
18	6	3254703	NUT, M10 X 1.5 HEX ZINC	S	L
19	4	3275401	M10X1.5 BLIND THREADED INSERT (HEX) -HVY	S	L
20	2	3275507	SCREW, M10 X 1.5 X 50 SHCS, LOW HEAD -NO PATCH	S	L
21	2	6714901	BUSHING, GUIDE ROD 1 ID X 2	S	L
22	1	6757701	CLIP, CABLE 2-7/8 X 1 X 1	S	L
23	1	7317902	STOP, BUMPER	S	L
24	1	7318201	PLATE, PULLEY	S	L
25	3	7333802	CAP, SMALL FLOV- END	S	L
26	2	7333902	CAP, LARGE FLOV- END	S	L
27	1	7335401	NUT, M10 X 1.5 SOCKET HEAD	S	L
28	1	7351501	SPRING, PULL PIN LARGE	S	L
29	2	7414301	STUD, M10 BALL END M10 X 1.5	S	L
30	1	7425102	PIN, PULL X 6.75	S	L
31	2	7435301	COLLAR, SHAFT 1.020 ID	S	L
32	1	-	LABEL, SERIAL NUMBER, BLANK	S	L
33	2	7619801	GUIDE ROD, 1" DIA CASE HARDNED X 52"	S	L
34	1	7620902	SLEEVE, 1.63 X 2.75 FLOV	S	L
35	2	7630101	RETAINER, CM/MJ, PULLEY	S	L
36	1	8039501	LABEL, WARNING, TRIANGLE	S	L
37	1	8094102	COVER, PULLEY-BOLTED PARTIAL -CHGR	S	L
38	1	8102902	COVER, PULLEY-BOLTED FULL	S	L
39	2	9319301	FOOT, 2.50 X 4.49 FLOV	S	L
40	2	9319401	COVER, FOOT - STRAIGHT	S	L
41	2	9319901	PULLEY, 3/16 IN CABLE (T2), 4.5 IN OD	S	L
42	1	9344401	SPACER, .406 X .750 X .750	S	L
43	1	9411201	TRAY, TOWER TOP CAP	S	L
44	1	9465099	LABEL, SS-GL PLACARD, LH	S	L
45	1	9450002	COVER, PULLEY-BOLTED PARTIAL	S	L
46	1	9454703	KNOB, ADJ	S	L
47	2	9472902	SHAFT, TAPPED 1 DIA X 5.330	S	L
48	2	9472904	SHAFT, TAPPED 1 DIA X 3.580	S	L
49	1	9476601	LABEL, SS-GL PLACARD, RH	S	L
50	1	9488901	LABEL, INSIGNIA, FCC	S	L
51	1	3236602	WASHER, 3/8 ID X 1.25 OD SS	S	L
52	2	9486801	WASHER, 10.5 ID X 19 OD	S	L
53	1	7626401	PAD, LUMBAR, NO BACKER, BLK, SNGL STITCH	S	L
		1000010-0101	PAD, LUMBAR, NO BACKER, BLK, DBL STITCH	S	L
		1000010-0199	PAD, LUMBAR, NO BACKER, CUS, DBL STITCH	S	L
		1000010-0099	PAD, LUMBAR, NO BACKER, CUS, SNGL STITCH	S	L
54	1	9436701	CAP, TOWER, TOP, PLASTIC	S	-
55	1	8220099	LABEL, ASTM, SELECT VERT	S	L
56	1	9514701	LABEL, SS-GL, 1-7 CURVED RIGHT	S	L
57	8	3236204	M10 X 1.5 X 35 SHCS, LOW HEAD	S	L

Insignia Series Glute Tower Plastics



ITEM NO.	QTY.	PART NO.	DESCRIPTION
1	1	9410801	COVER, TOWER BOTTOM -FRONT
2	1	9411001	COVER, TOWER BOTTOM -REAR
3	2	9412701	ASSY, TRAP TUBE, CAP, BOTTOM
4	2	9415701	COVER, UPPER CROSS MEMBER
5	2	9415801	GASKET, TRAP TUBE
6	13	3275801	SCREW, 8 X 3/4 DIN PHL PAN AB ST ZB
7	4	0017-00101-1587	RVT 201X0413X.354 T NY NO
8	11	0017-00042-1147	GROMMET: SCREW; 8 OR 10
9	1	9410601	SHROUD, TOWER FRONT, LT - SHORT
10	1	9410701	SHROUD, TOWER FRONT, RT - SHORT
11	1	9411101	SHROUD, TOWER REAR - SHORT
12	2	9414601	SHROUD EXTRUSION - SHORT
13	1	9489101	LABEL, LIFE FITNESS

Insignia Series Glute Shroud Wraps



BAMBOO	DATE MADE	SERIAL #	ITEM	QTY.	PART NO.	DESCRIPTION
	1/1/2015 - 3/31/2016	PRIOR TO SS-XX0416001	1	1	9511802	SHROUD, SS, FNT, LT, SRT-BAM
			2	1	9511702	SHROUD, SS, FNT, RT, SRT-BAM
			3	1	9511902	SHROUD, SS, REAR, SRT-BAM
	4/01/2016 - PRESENT	ON OR AFTER SS-XX0416001	1	1	1003204-0002	SHROUD, SS, FNT, LT, SRT, ABS-BAM
			2	1	1003203-0002	SHROUD, SS, FNT, RT, SRT, ABS-BAM
			3	1	1003205-0002	SHROUD, SS, REAR, SRT, ABS-BAM

SKY	DATE MADE	SERIAL #	ITEM	QTY.	PART NO.	DESCRIPTION
	1/1/2015 - 3/31/2016	PRIOR TO SS-XX0416001	1	1	9511803	SHROUD, SS, FNT, LT, SRT-SKY
			2	1	9511703	SHROUD, SS, FNT, RT, SRT-SKY
			3	1	9511903	SHROUD, SS, REAR, SRT-SKY
	4/01/2016 - PRESENT	ON OR AFTER SS-XX0416001	1	1	1003204-0003	SHROUD, SS, FNT, LT, SRT, ABS-SKY
			2	1	1003203-0003	SHROUD, SS, FNT, RT, SRT, ABS-SKY
			3	1	1003205-0003	SHROUD, SS, REAR, SRT, ABS-SKY

BRONZE	DATE MADE	SERIAL #	ITEM	QTY.	PART NO.	DESCRIPTION
	1/1/2015 - 3/31/2016	PRIOR TO SS-XX0416001	1	1	9511804	SHROUD, SS, FNT, LT, SRT-BRZ
			2	1	9511704	SHROUD, SS, FNT, RT, SRT-BRZ
			3	1	9511904	SHROUD, SS, REAR, SRT-BRZ
	4/01/2016 - PRESENT	ON OR AFTER SS-XX0416001	1	1	1003204-0004	SHROUD, SS, FNT, LT, SRT, ABS-BRZ
			2	1	1003203-0004	SHROUD, SS, FNT, RT, SRT, ABS-BRZ
			3	1	1003205-0004	SHROUD, SS, REAR, SRT, ABS-BRZ

STEM	DATE MADE	SERIAL #	ITEM	QTY.	PART NO.	DESCRIPTION
	1/1/2015 - 3/31/2016	PRIOR TO SS-XX0416001	1	1	9511805	SHROUD, SS, FNT, LT, SRT-STM
			2	1	9511705	SHROUD, SS, FNT, RT, SRT-STM
			3	1	9511905	SHROUD, SS, REAR, SRT-STM
	4/01/2016 - PRESENT	ON OR AFTER SS-XX0416001	1	1	1003204-0005	SHROUD, SS, FNT, LT, SRT, ABS-STM
			2	1	1003203-0005	SHROUD, SS, FNT, RT, SRT, ABS-STM
			3	1	1003205-0005	SHROUD, SS, REAR, SRT, ABS-STM

ROSEWOOD	DATE MADE	SERIAL #	ITEM	QTY.	PART NO.	DESCRIPTION
	1/1/2015 - 3/31/2016	PRIOR TO SS-XX0416001	1	1	9511806	SHROUD, SS, FNT, LT, SRT-RSW
			2	1	9511706	SHROUD, SS, FNT, RT, SRT-RSW
			3	1	9511906	SHROUD, SS, REAR, SRT-RSW
	4/01/2016 - PRESENT	ON OR AFTER SS-XX0416001	1	1	1003204-0006	SHROUD, SS, FNT, LT, SRT, ABS-RSW
			2	1	1003203-0006	SHROUD, SS, FNT, RT, SRT, ABS-RSW
			3	1	1003205-0006	SHROUD, SS, REAR, SRT, ABS-RSW

STAINLESS STEEL	DATE MADE	SERIAL #	ITEM	QTY.	PART NO.	DESCRIPTION
	1/1/2015 - 3/31/2016	PRIOR TO SS-XX0416001	1	1	9511807	SHROUD, SS, FNT, LT, SRT-SS
			2	1	9511707	SHROUD, SS, FNT, RT, SRT-SS
			3	1	9511907	SHROUD, SS, REAR, SRT-SS
	4/01/2016 - PRESENT	ON OR AFTER SS-XX0416001	1	1	1003204-0007	SHROUD, SS, FNT, LT, SRT, ABS-SS
			2	1	1003203-0007	SHROUD, SS, FNT, RT, SRT, ABS-SS
			3	1	1003205-0007	SHROUD, SS, REAR, SRT, ABS-SS

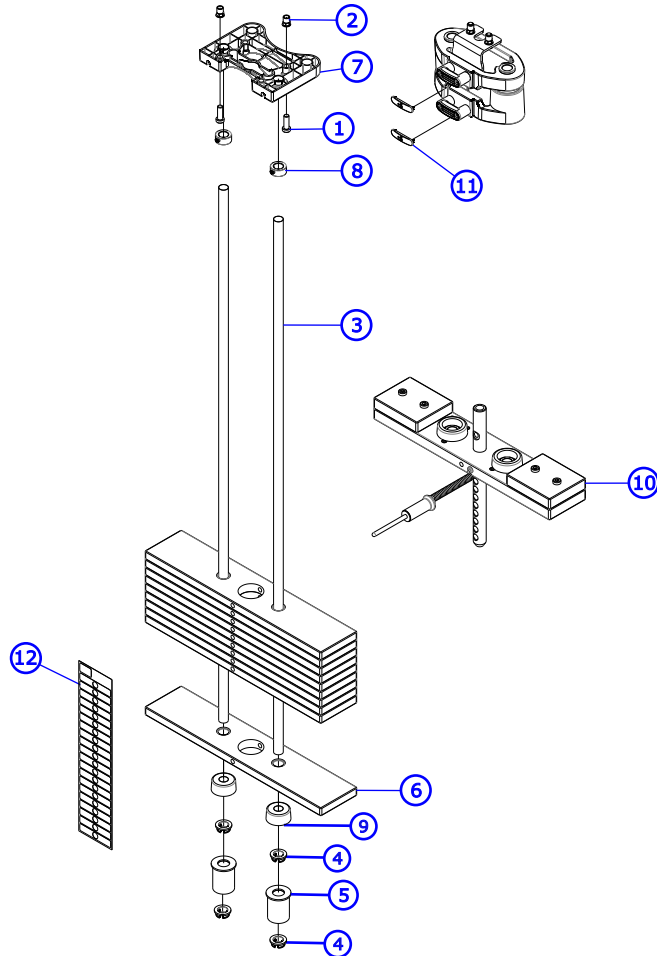
PREMIUM STAINLESS STEEL	DATE MADE	SERIAL #	ITEM	QTY.	PART NO.	DESCRIPTION
	4/01/2016 - PRESENT	ON OR AFTER SS-XX0416001	1	1	1003204-0008	SHROUD, SS, FNT, LT, SRT, ABS-PSS
			2	1	1003203-0008	SHROUD, SS, FNT, RT, SRT, ABS-PSS
			3	1	1003205-0008	SHROUD, SS, REAR, SRT, ABS-PSS

PREMIUM BLACK CARBON FIBER	DATE MADE	SERIAL #	ITEM	QTY.	PART NO.	DESCRIPTION
	4/01/2016 - PRESENT	ON OR AFTER SS-XX0416001	1	1	1003204-0009	SHROUD, SS, FNT, LT, SRT, ABS-PBCF
			2	1	1003203-0009	SHROUD, SS, FNT, RT, SRT, ABS-PBCF
			3	1	1003205-0009	SHROUD, SS, REAR, SRT, ABS-PBCF

4	1	AK58-00245-2401	MEDALLION-ASSY;LF-BUG B
---	---	-----------------	-------------------------

Insignia Series Glute Weight Stack Assemblies

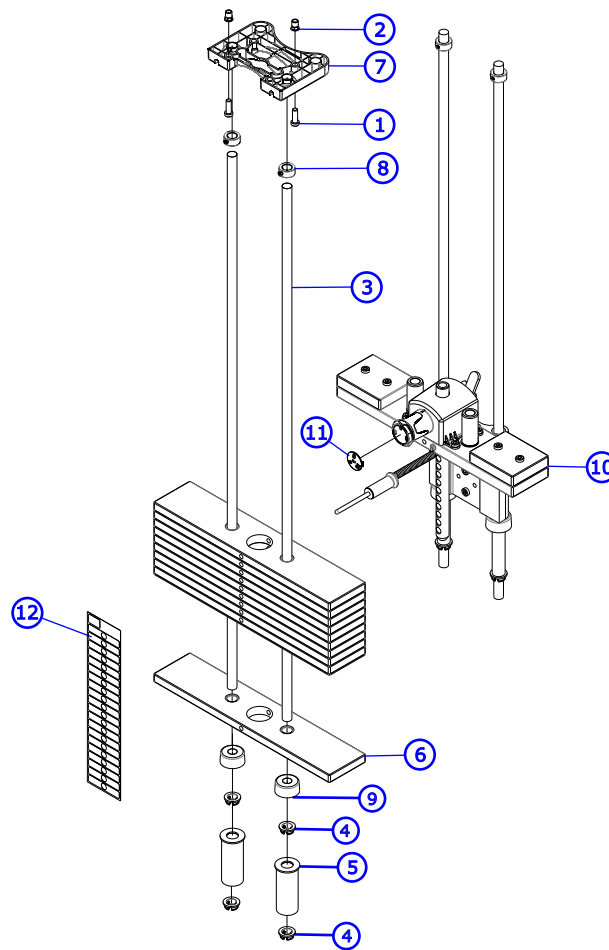
T - Base



Uses Cable 9423515 (160.5")

ITEM NO.	QTY.	PART NO.	DESCRIPTION
1	2	3236203	SCREW, M10 X1.5 30MM
2	2	3238601	M10X1.5 BLIND THREADED INSERT (HEX)
3	2	7328612	GUIDE ROD, .75 OD SOLID 50.36
4	2	7337901	BUSHING, GUIDE ROD
5	2	9495913	WLDMT, WGT STK SPACER X 3.00 -CHR
6	10	9407601	WGT PL, 3/4IN X 4IN, 15 LB
7	1	9412801	RETAINER, GUIDE ROD - TOP
8	2	3103301	SHAFT COLLAR, 3/4 IN ID
9	1	7352101	CUSHION, WEIGHT STACK
10	1	SEE PAGE 12	ASSY, SS-GL, HEAD PLATE, STD -10
11	1	9462303	CAP, DD INC WGT, YEL -LBS
		9462403	CAP, DD INC WGT, YEL -KG
12	1	9475301	LABEL, 3/4 IN WGT STACK, 295 LB
		9475201	LABEL, 3/4 IN WGT STACK, 147.5 KG

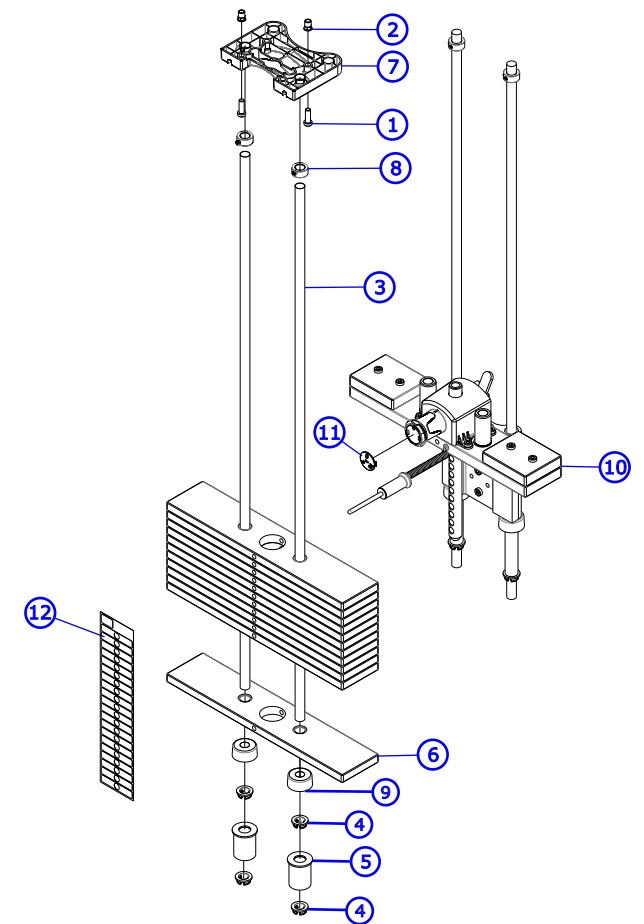
C - Light



Uses Cable 9423514 (156.5")

ITEM NO.	QTY.	PART NO.	DESCRIPTION
1	2	3236203	SCREW, M10 X1.5 30MM
2	2	3238601	M10X1.5 BLIND THREADED INSERT (HEX)
3	2	7328612	GUIDE ROD, .75 OD SOLID 50.36
4	2	7337901	BUSHING, GUIDE ROD
5	2	9495914	WLDMT, WGT STK SPACER X 4.50 -CHR
6	10	9407601	WGT PL, 3/4IN X 4IN, 15 LB
7	1	9412801	RETAINER, GUIDE ROD - TOP
8	2	3103301	SHAFT COLLAR, 3/4 IN ID
9	1	7352101	CUSHION, WEIGHT STACK
10	1	SEE PAGE 13	ASSY, SS-GL, INC WGT, DIAL, STD -10
11	1	9431403	CAP, SELECTOR KNOB -LBS
		9450103	CAP, SELECTOR KNOB -KGS
12	1	9475301	LABEL, 3/4 IN WGT STACK, 295 LB
		9475201	LABEL, 3/4 IN WGT STACK, 147.5 KG

X - Heavy



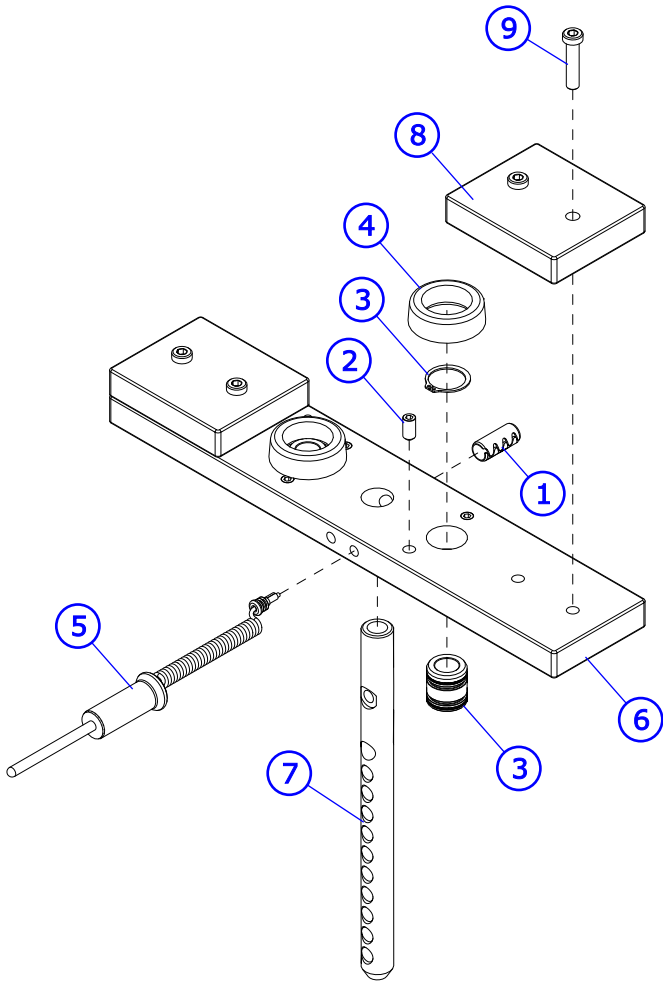
Uses Cable 9423514 (156.5")

ITEM NO.	QTY.	PART NO.	DESCRIPTION
1	2	3236203	SCREW, M10 X1.5 30MM
2	2	3238601	M10X1.5 BLIND THREADED INSERT (HEX)
3	2	7328612	GUIDE ROD, .75 OD SOLID 50.36
4	2	7337901	BUSHING, GUIDE ROD
5	2	9495913	WLDMT, WGT STK SPACER X 3.00 -CHR
6	10	9407601	WGT PL, 3/4IN X 4IN, 15 LB
7	1	9412801	RETAINER, GUIDE ROD - TOP
8	2	3103301	SHAFT COLLAR, 3/4 IN ID
9	1	7352101	CUSHION, WEIGHT STACK
10	1	SEE PAGE 13	ASSY, SS-GL, INC WGT, DIAL, STD -10
11	1	9431403	CAP, SELECTOR KNOB -LBS
		9450103	CAP, SELECTOR KNOB -KGS
12	1	9475301	LABEL, 3/4 IN WGT STACK, 295 LB
		9475201	LABEL, 3/4 IN WGT STACK, 147.5 KG

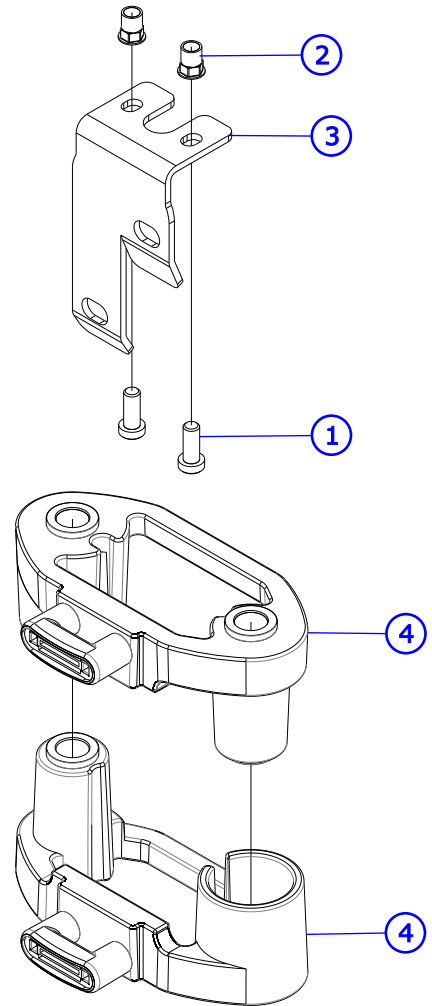
Insignia Series Glute

T Trim Head Plate and Drop Down Increment Weights

T Trim



ITEM NO.	QTY.	PART NO.	DESCRIPTION
1	1	3236001	BUSHING, SPRING PIN
2	4	3240501	M10 X 1.5 HXS NO CUP ST BO
3	2	7338001	BUSHING, HEADPLATE
4	2	7767602	BUMPER, INCREMENT WT -BLK
5	1	1003679-0003	ASSY, WGT STK SELECTOR PIN -YELLOW
6	1	9431101	HEADPLATE, WT. STACK, 20LB
7	1	9434201	BAYONET, 10 PLATE
8	2	9433301	COUNTER WEIGHT, HEAD PLATE, 5LB
9	4	3236206	M10 X 1.5 X 45 SHCS, LOW HEAD

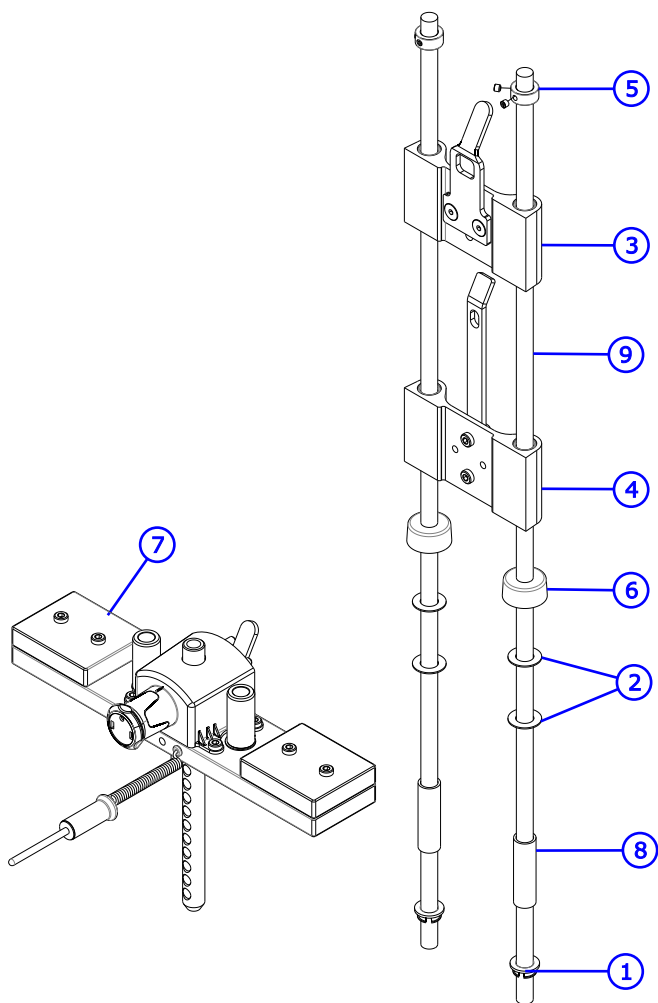


ITEM NO.	QTY.	PART NO.	DESCRIPTION
1	2	3236202	SCREW, M10 X1.5 25MM
2	2	3238601	M10X1.5 BLIND THREADED INSERT (HEX)
3	1	9430801	BRKT, INC WGT STRIKER
4	2	9455403	ASSY, DD INC WGT -YEL

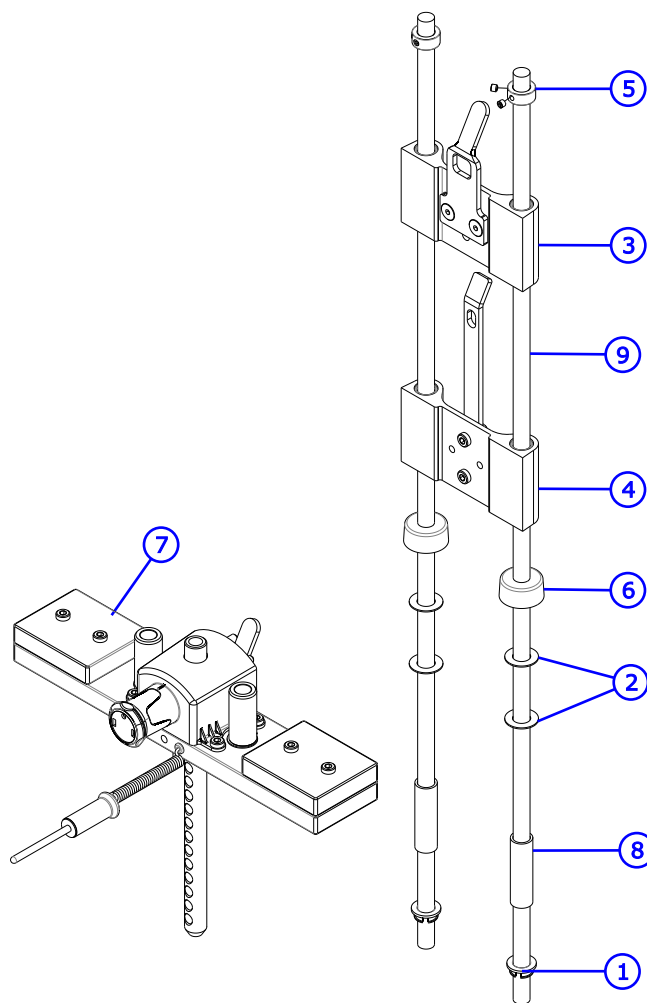
Insignia Series Glute

C and X Trim Stack Components

C Trim



X Trim

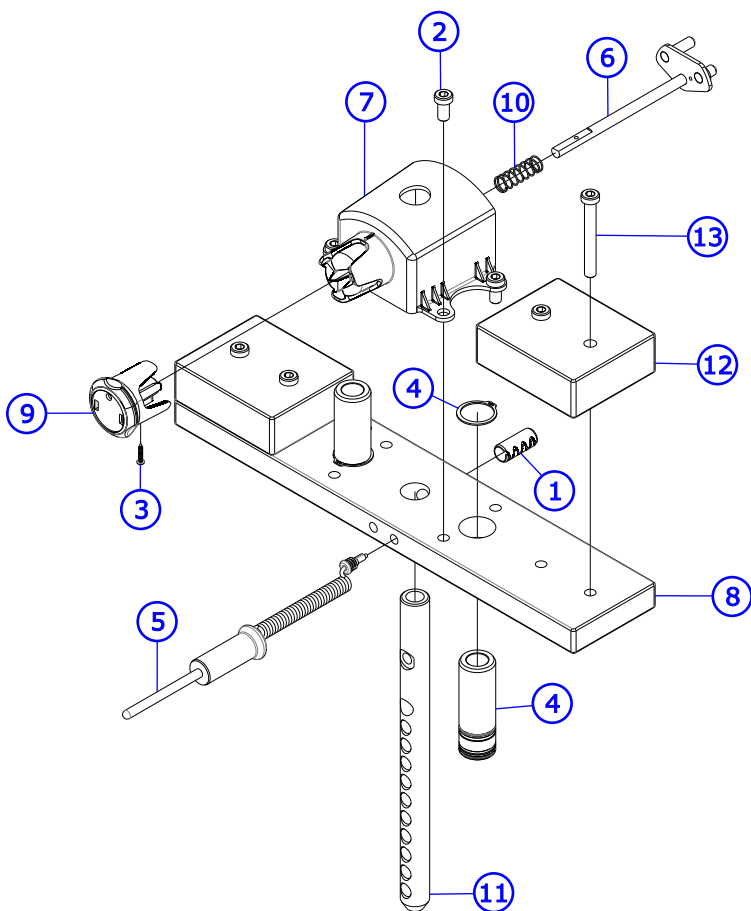


ITEM NO.	QTY.	PART NO.	DESCRIPTION
1	2	7337901	BUSHING, GUIDE ROD
2	4	7351001	SPACER, INC WT STACK
3	1	SEE PAGE 15	ASSY, INC WGT -5LB
4	1	SEE PAGE 15	ASSY, INC WGT -10LB
5	2	3103301	SHAFT COLLAR, 3/4 IN ID
6	2	7352101	CUSHION, WEIGHT STACK
7	1	SEE PAGE 14	ASSY, SS-GL, WEIGHTED, DIAL, STD -10
8	2	7328706	SPACER, INC WT STACK -4.38
9	2	7328612	GUIDE ROD, .75 OD SOLID X 50.36

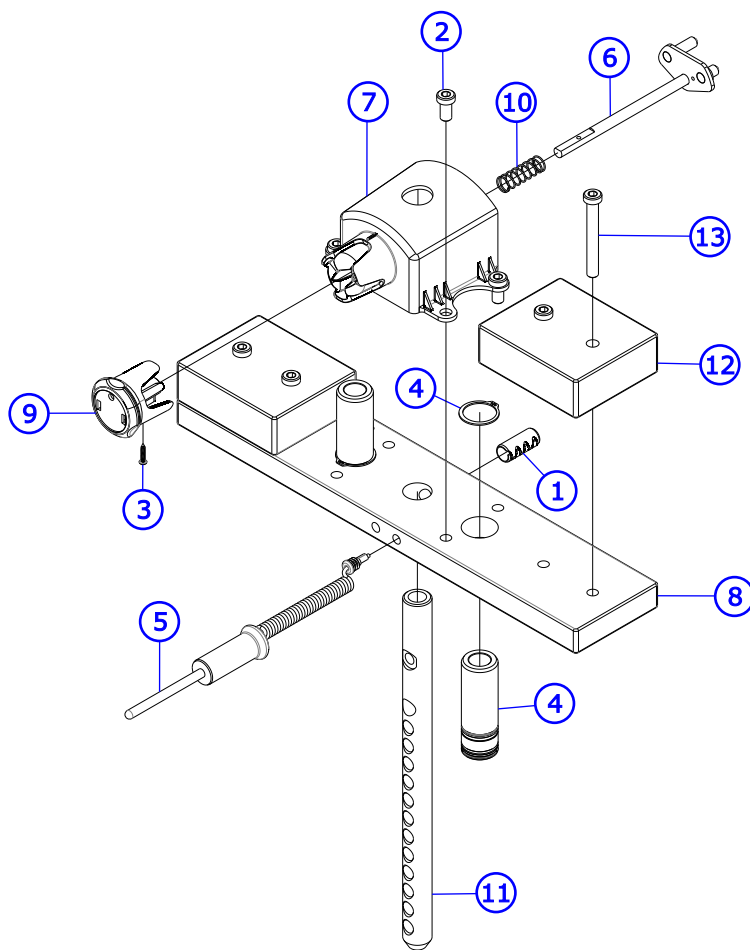
ITEM NO.	QTY.	PART NO.	DESCRIPTION
1	2	7337901	BUSHING, GUIDE ROD
2	4	7351001	SPACER, INC WT STACK
3	1	SEE PAGE 15	ASSY, INC WGT -5LB
4	1	SEE PAGE 15	ASSY, INC WGT -10LB
5	2	3103301	SHAFT COLLAR, 3/4 IN ID
6	2	7352101	CUSHION, WEIGHT STACK
7	1	SEE PAGE 14	ASSY, SS-GL, WEIGHTED, DIAL, HVY -12
8	2	7328706	SPACER, INC WT STACK -4.38
9	2	7328612	GUIDE ROD, .75 OD SOLID X 50.36

Insignia Series Glute C and X Trim Head Plate Assemblies

C Trim



X Trim



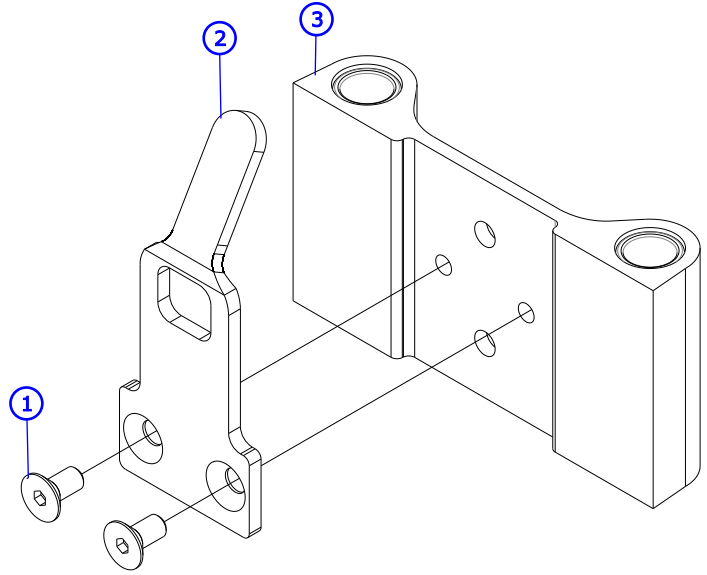
ITEM NO.	QTY.	PART NO.	DESCRIPTION
1	1	3236001	BUSHING, SPRING PIN
2	4	3236201	M10 X 1.5 X 20 SHCS, LOW HEAD
3	1	3275601	SCREW, 6 X 3/4 DIN PHL PAN AB ST ZB
4	2	9296001	BUSHING, HEADPLATE, LONG
5	1	1003679-0003	ASSY, WGT STK SELECT PIN -YELLOW
6	1	9427501	WLDMT, INC WGT PIN
7	1	9430501	HSNG, INC WEIGHT
8	1	9431101	HEADPLATE, WT. STACK, 20LB
9	1	9443201	KNOB, INC WEIGHT
10	1	9443301	SPRING, INC WGT PIN
11	1	9434201	BAYONET, 10 PLATE
12	2	9433301	COUNTER WEIGHT, HEAD PLATE, 5LB
13	4	3236206	M10 X 1.5 X 45 SHCS, LOW HEAD

ITEM NO.	QTY.	PART NO.	DESCRIPTION
1	1	3236001	BUSHING, SPRING PIN
2	4	3236201	M10 X 1.5 X 20 SHCS, LOW HEAD
3	1	3275601	SCREW, 6 X 3/4 DIN PHL PAN AB ST ZB
4	2	9296001	BUSHING, HEADPLATE, LONG
5	1	1003679-0003	ASSY, WGT STK SELECT PIN -YELLOW
6	1	9427501	WLDMT, INC WGT PIN
7	1	9430501	HSNG, INC WEIGHT
8	1	9431101	HEADPLATE, WT. STACK, 20LB
9	1	9443201	KNOB, INC WEIGHT
10	1	9443301	SPRING, INC WGT PIN
11	1	9426001	BAYONET, 12 PLATE
12	2	9433301	COUNTER WEIGHT, HEAD PLATE, 5LB
13	4	3236206	M10 X 1.5 X 45 SHCS, LOW HEAD

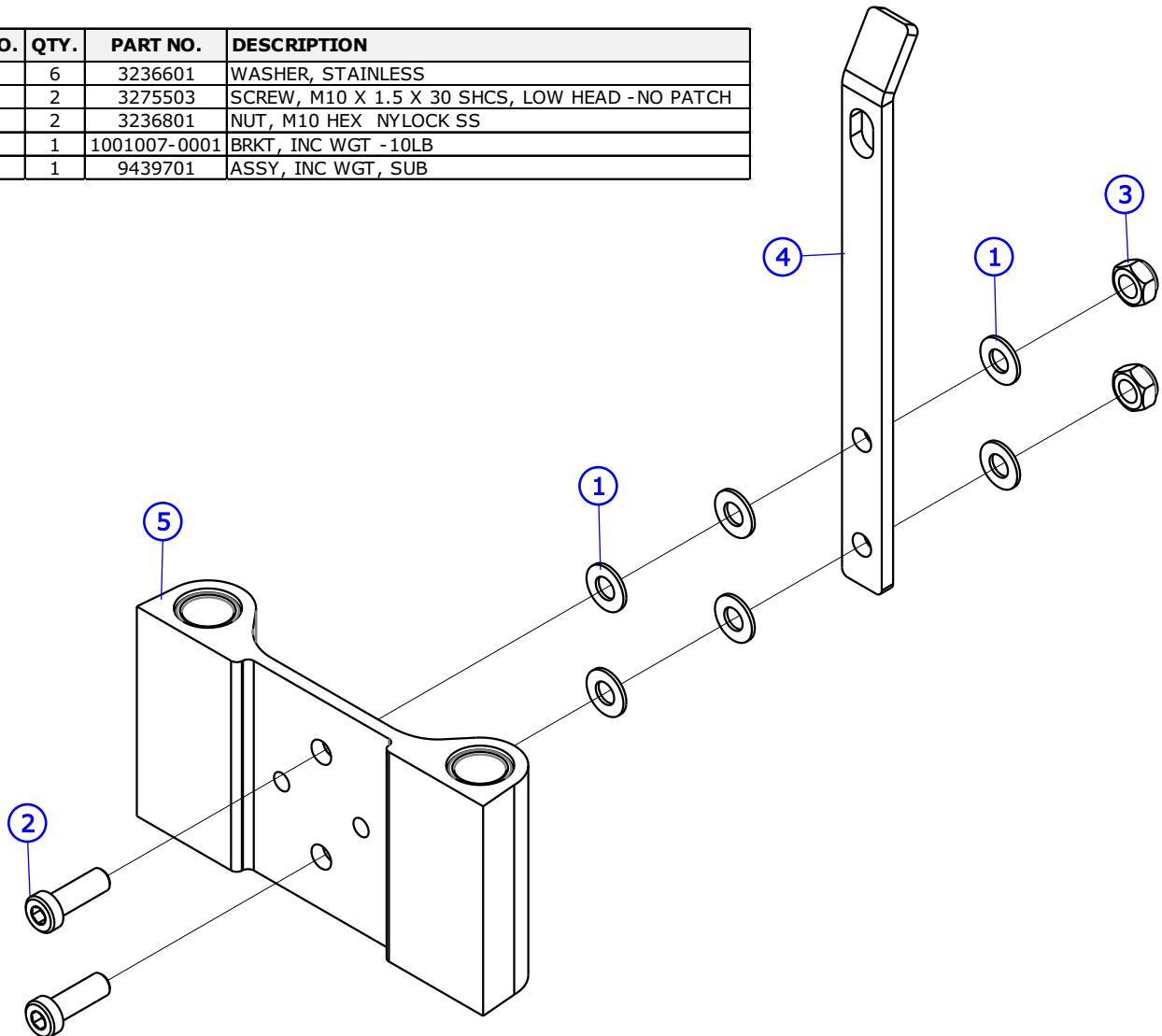
Insignia Series Glute

C and X Trim Incremental Weights

ITEM NO.	QTY.	PART NO.	DESCRIPTION
1	2	3238301	M10x1.5x20mm
2	1	9428201	BRKT, INC WGT -5 LB
3	1	9439701	ASSY, INC WGT, SUB

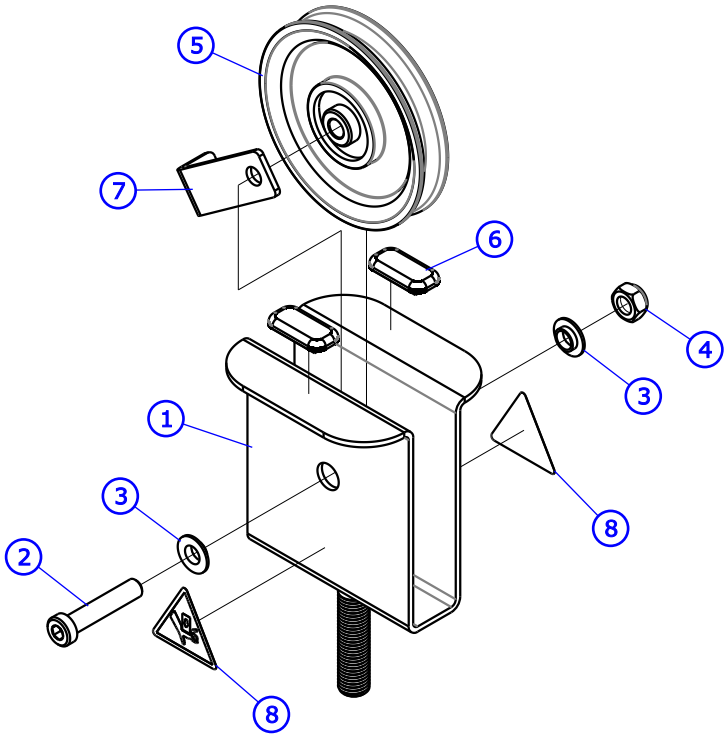


ITEM NO.	QTY.	PART NO.	DESCRIPTION
1	6	3236601	WASHER, STAINLESS
2	2	3275503	SCREW, M10 X 1.5 X 30 SHCS, LOW HEAD -NO PATCH
3	2	3236801	NUT, M10 HEX NYLOCK SS
4	1	1001007-0001	BRKT, INC WGT -10LB
5	1	9439701	ASSY, INC WGT, SUB



Insignia Series Glute Stack Pulleys

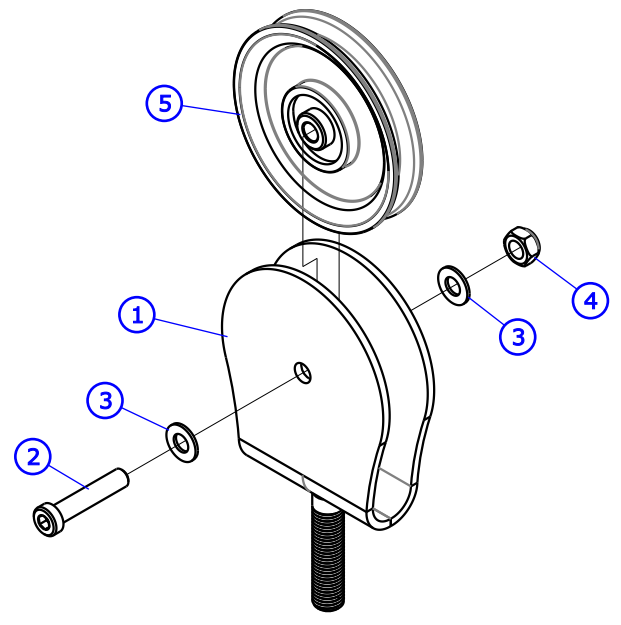
T Trim



ITEM NO.	QTY.	PART NO.	DESCRIPTION
1	1	7425728	WLDMT, FLOATING PULLEY
2	1	3275507	SCREW, M10 X 1.5 X 50 SHCS, LOW HEAD -NO PATCH
3	2	7776401	SPACER, FLANGE .406 X .495 X .81
4	1	3236801	NUT, M10 HEX NYLOCK SS
5	1	9319901	PULLEY, 3/16 IN CABLE (T2), 4.5 IN OD
6	2	7570802	GUARD, PAINT 1.25"x.75"x.25"
7	1	6757701	CLIP, CABLE 2-7/8 X 1 X 1
8	2	8039501	LABEL, WARNING, TRIANGLE

C Trim

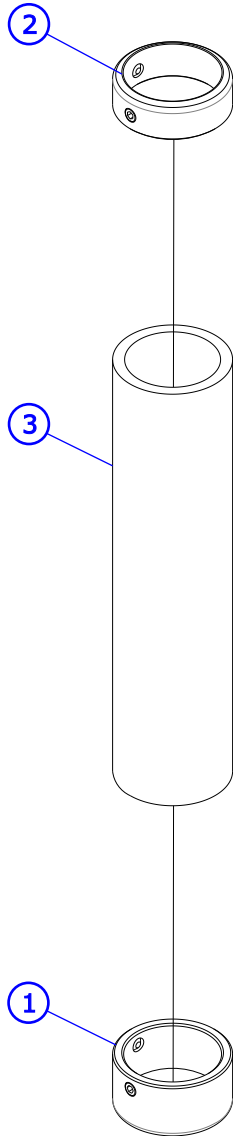
X Trim



ITEM NO.	QTY.	PART NO.	DESCRIPTION
1	1	7625028	WLDMT, FZ WT STK PULLEY BRKT
2	1	3275507	SCREW, M10 X 1.5 X 50 SHCS, LOW HEAD -NO PATCH
3	2	3236601	WASHER, 3/8 SAE SS
4	1	3236801	NUT, M10 HEX NYLOCK SS
5	1	9319901	PULLEY, 3/16 IN CABLE (T2), 4.5 IN OD

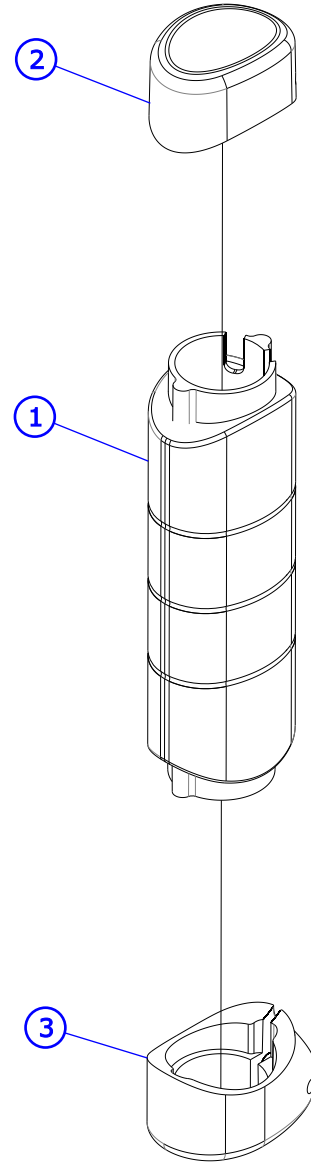
Insignia Series Glute Grip Assemblies

S Trim



ITEM NO.	QTY.	PART NO.	DESCRIPTION
1	1	7662901	CAP, GRIP 1.25 OD
2	1	7662801	RING, GRIP
3	1	3235806	GRIP, 1.25 OD X .125 WALL, OPEN END

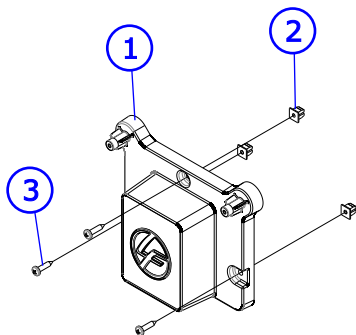
L Trim



ITEM NO.	QTY.	PART NO.	DESCRIPTION
1	1	9453001	GRIP, ERGO, OVERMOLD
2	1	1001761-0001	ASSY, CAP, GRIP
3	1	1001760-0001	ASSY, COLLAR, ERGO GRIP

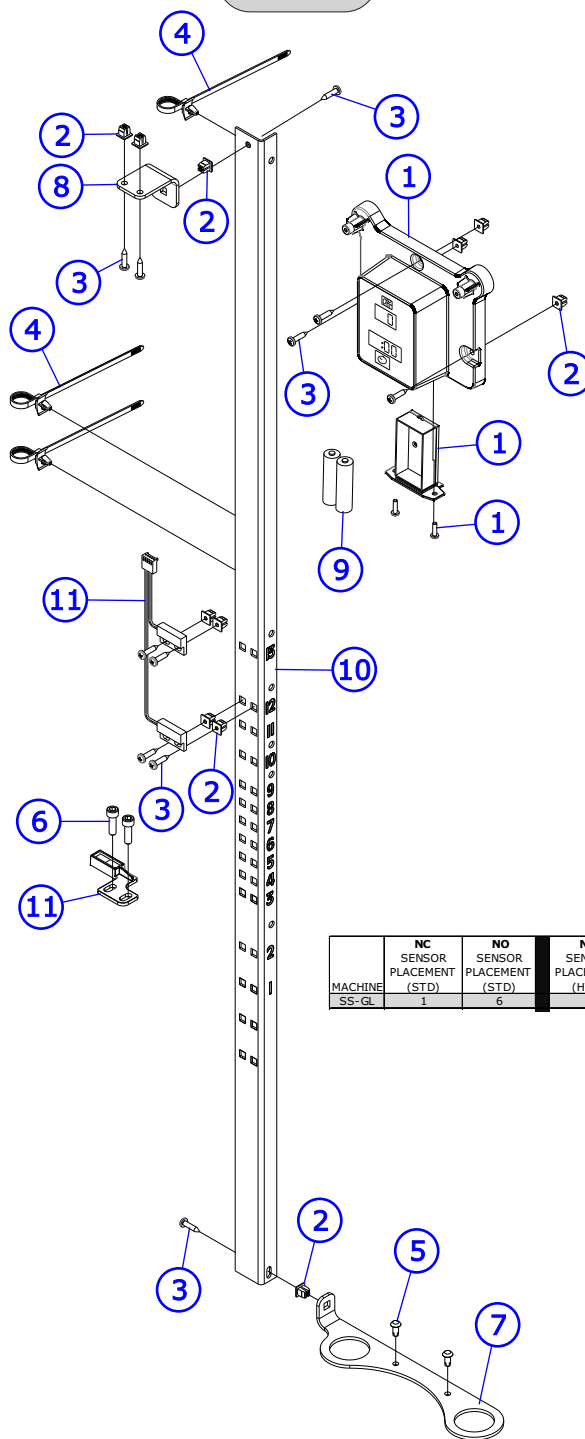
Insignia Series Glute Sensor Assemblies

S Trim



ITEM NO.	QTY.	PART NO.	DESCRIPTION
1	1	9437401	SS - ASSY, DISPLAY, BASE
2	3	0017-00042-1147	GROMMET: SCREW; 8 OR 10
3	3	3275801	SCREW, 8 X 3/4 DIN PHL PAN AB ST ZB

L Trim



MACHINE	NC SENSOR PLACEMENT (STD)	NO SENSOR PLACEMENT (STD)	NC SENSOR PLACEMENT (HVY)	NO SENSOR PLACEMENT (HVY)
SS-GL	1	6	2	8

ITEM NO.	QTY.	PART NO.	DESCRIPTION
1	1	9417701	ASSY, DISPLAY, COUNTER
2	11	0017-00042-1147	GROMMET: SCREW; 8 OR 10
3	11	3275801	SCREW, 8 X 3/4 DIN PHL PAN AB ST ZB
4	3	3276101	GROMMET, CABLE TIE
5	2	0017-00101-1587	RVT 201X0413X.354 T NY NO
6	2	3241701	SCREW, M6 X1 20MM
7	1	9432728	BRKT, SS, SWITCH MNT -CHGR
8	1	9434828	BRKT, SS, SWITCH MNT
9	2	-	BATTERY, AA
10	1	9434628	BRKT, SS, SWITCH MNT, STD -CHR
11	1	1000585-0001	ASSY, SS, PROX SWITCH/MAGNET