

Serial Number Ranges  
SS-HAB0818B001 - Current

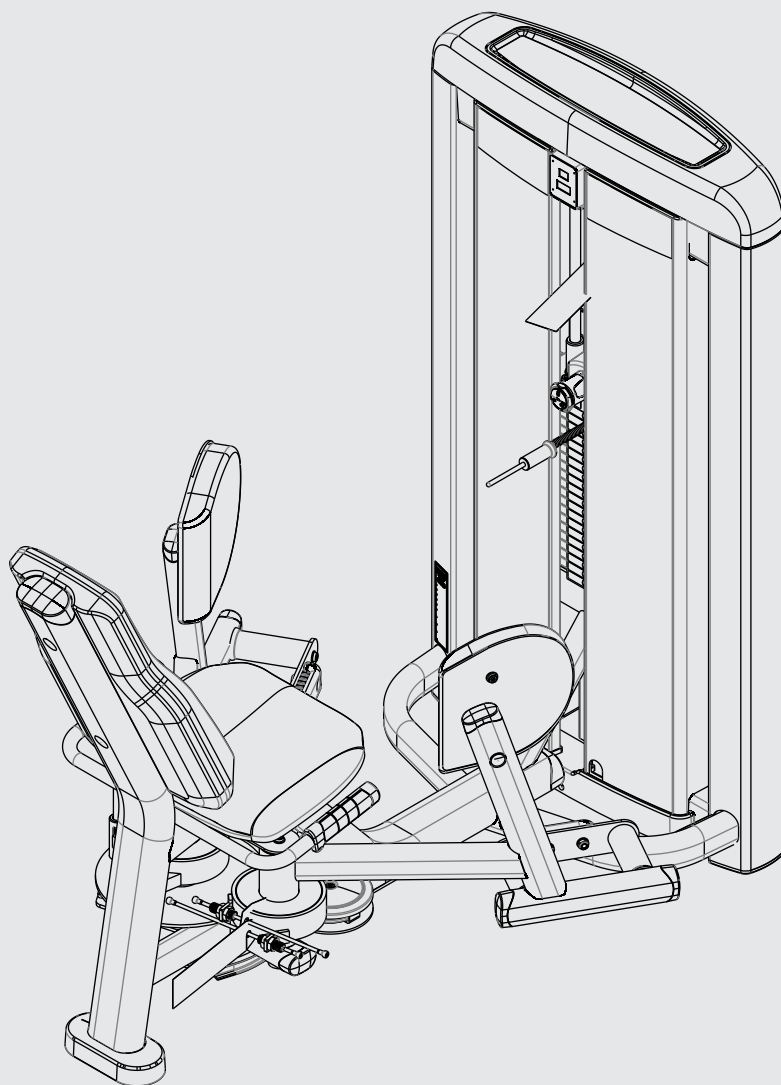
Hungarian Produced:  
101833G07838 - Current

# INSIGNIA SERIES

## HIP ABDUCTOR

### SS-HAB

### PARTS MANUAL



# Insignia Series Hip Abductor

## Contents

---

Options and Key .....	3
Powder Coat Painted Frame Weldments .....	4
Component Assembly .....	5
Work Arm Components .....	6
Seat Components .....	7
Labels .....	8
Table .....	9
Full Shroud Assembly .....	10
Full Shroud Wraps .....	11
Rear Shroud Assembly .....	12
Weight Stack Assemblies .....	13
Increment Weights .....	14
P Trim Head Plate Assembly .....	15
C and X Trim Head Plate Assemblies .....	15
Grip Assemblies .....	17
Sensor Assemblies .....	18
Cable Routing .....	19

# Insignia Series Hip Abductor

## Options and Key

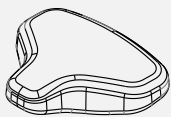
### FRAME COLOR OPTION

SELECT POWDERCOAT COLOR

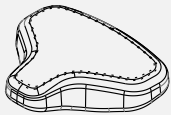
- BLACK
- BLUE
- CANDY APPLE RED
- CHARCOAL
- DIAMOND WHITE
- ELECTRIC BLUE
- ICE BLUE METALLIC
- MIDNIGHT METALLIC
- MOCHA SAND
- NICKEL
- PLATINUM
- RED
- TITANIUM
- WHITE
- YELLOW
- CUSTOM

### UPHOLSTERY OPTION

SINGLE STITCH



DOUBLE STITCH



### UPHOLSTERY COLOR OPTION

- AMERICAN BEAUTY RED
- AZURE
- BLACK
- BLACK CARBON FIBER
- BURGUNDY
- CANDLY APPLE RED
- CHESTNUT
- CONCORD
- CRANBERRY
- CROCUS
- DARK WALNUT
- DOVE GRAY
- EMERALD
- GRAPHITE
- GROTTO
- GUN METAL
- HUNTER GREEN
- IMPERIAL BLUE
- JADE
- NAVY
- NORTHWOODS GREEN
- PAPRIKA
- PLUM
- PUTTY
- REGIMENTAL BLUE
- ROYAL BLUE
- SLATE
- SPACE BLUE
- SUEDE
- TERRA COTTA
- TURQUOISE
- WHEAT
- CUSTOM

### LANGUAGE OPTION

SELECT LANGUAGE

- 01 ENGLISH
- 02 GERMAN
- 03 FRENCH
- 04 SPANISH
- 05 ITALIAN
- 06 DUTCH
- 07 JAPANESE
- 08 PORTUGUESE
- 10 RUSSIAN
- 11 TURKISH
- 12 CHINESE
- 13 ARABIC

### WEIGHT STACK OPTION

- P - BASE STACK
- C - LIGHT STACK
- X - HEAVY STACK
- POUNDS
- KILOGRAMS

### SHROUD OPTION

- REAR
- FRONT/REAR

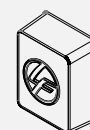
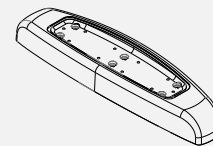
### SHROUD WRAP OPTION

(FRONT ONLY)

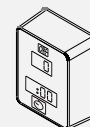
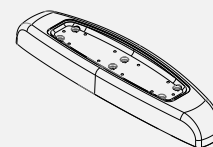
- BAMBOO
- BLACK CARBON FIBER
- BRONZE
- FULL SHROUD
- PREMIUM STAINLESS STEEL
- ROSEWOOD
- SKY
- STAINLESS STEEL
- STEM
- CUSTOM

### TRIM OPTION

S  
PLASTIC TOWER CAP  
STANDARD GRIP  
NO REP COUNTER



L  
PAINTED CAST TOWER CAP  
ERGO GRIP  
REP COUNTER



### KEY

LANGUAGE ① ② ③

Items with Black call-outs require the last two digits (XX) to be replaced with language codes listed above. IE: 12345XX should be 1234501 for English.

UPHOLSTERY ① ② ③

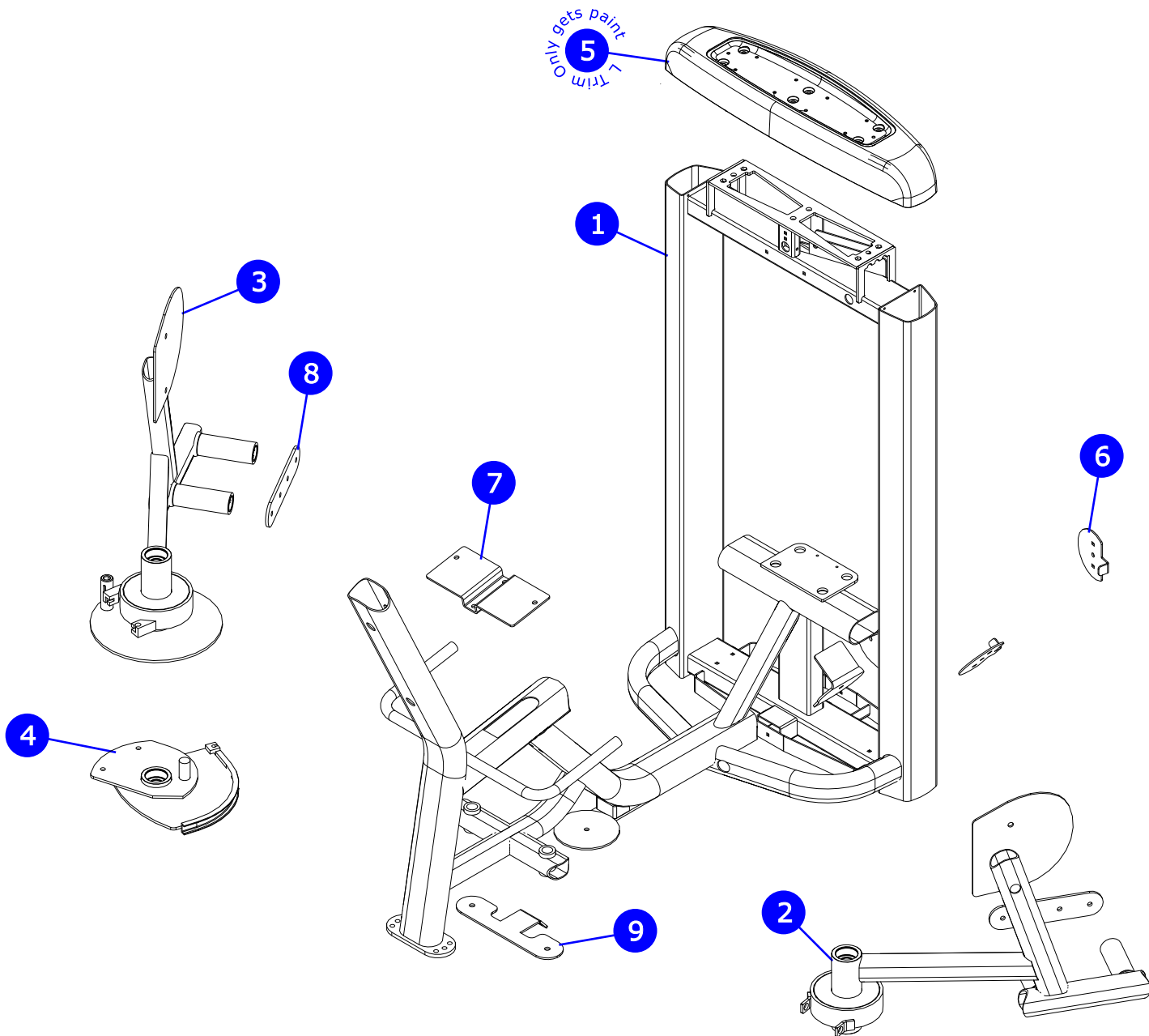
Items with Gray call-outs require the upholstery color within the order notes. IE: Putty.

FRAME COLOR ① ② ③

Items with Blue call-outs require the powder coat frame color to be within the order notes.

# Insignia Series Hip Abductor

## Powder Coat Painted Frame Weldments



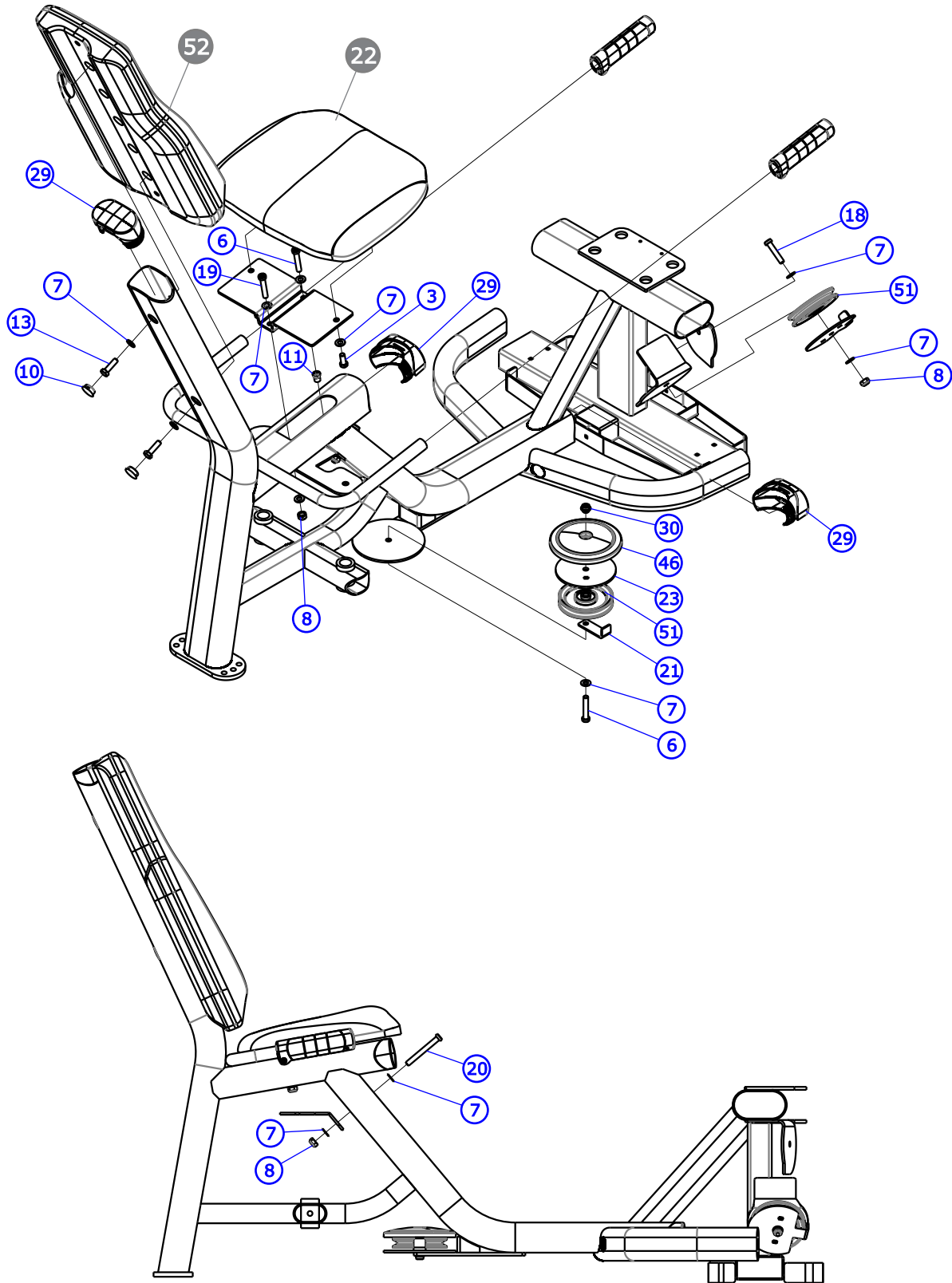
ITEM NO.	QTY.	PART NO.	DESCRIPTION	TRIM	
1	1	POSSIBLE RMA	WLDMT, SS-HAD/HAB, FRAME	S	L
2	1	9441899	WLDMT, SS-HAB, PIVOT LEG - RT	S	L
3	1	9441999	WLDMT, SS-HAB, PIVOT LEG - LT	S	L
4	1	9482699	WLDMT, SS-HAB, CAM	S	L
5	1	9412699	CAP, SS, CAST	-	L
6	2	7730999	BRKT, COVER/CABLE RETAINER	S	L
7	1	7593499	BRACKET, FZ, SEAT	S	L
8	2	9441699	PLATE, SS-HAB, FOOT	S	L
9	1	9482799	BRKT, SS-HAD/HAB	S	L

**ITEMS ON THIS PAGE ARE POWDER COAT PAINTED. REFER TO PAGE 3 FOR ORDERING INSTRUCTIONS.**





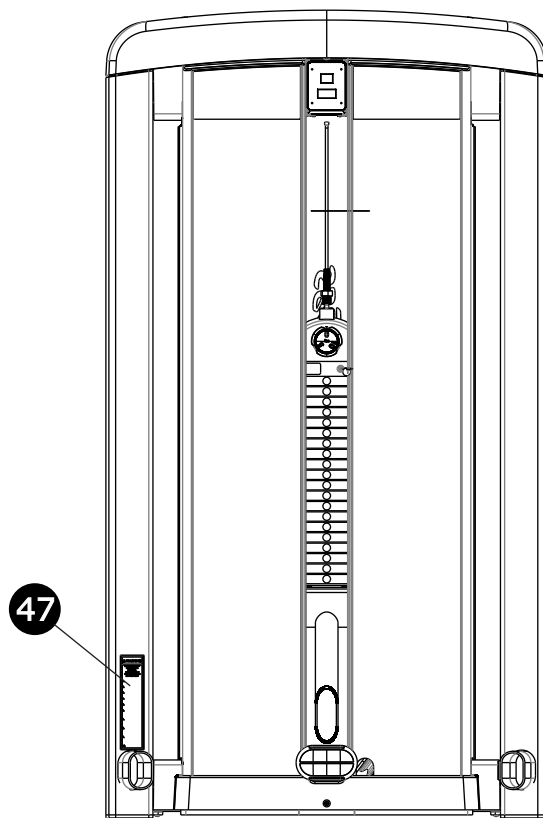
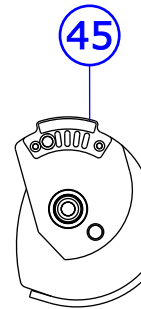
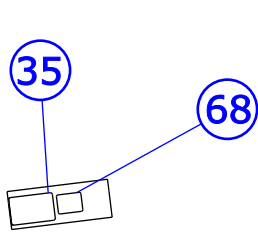
# Insignia Series Abductor Seat Components



**See page 9 for table**

# Insignia Series Abductor Labels

---



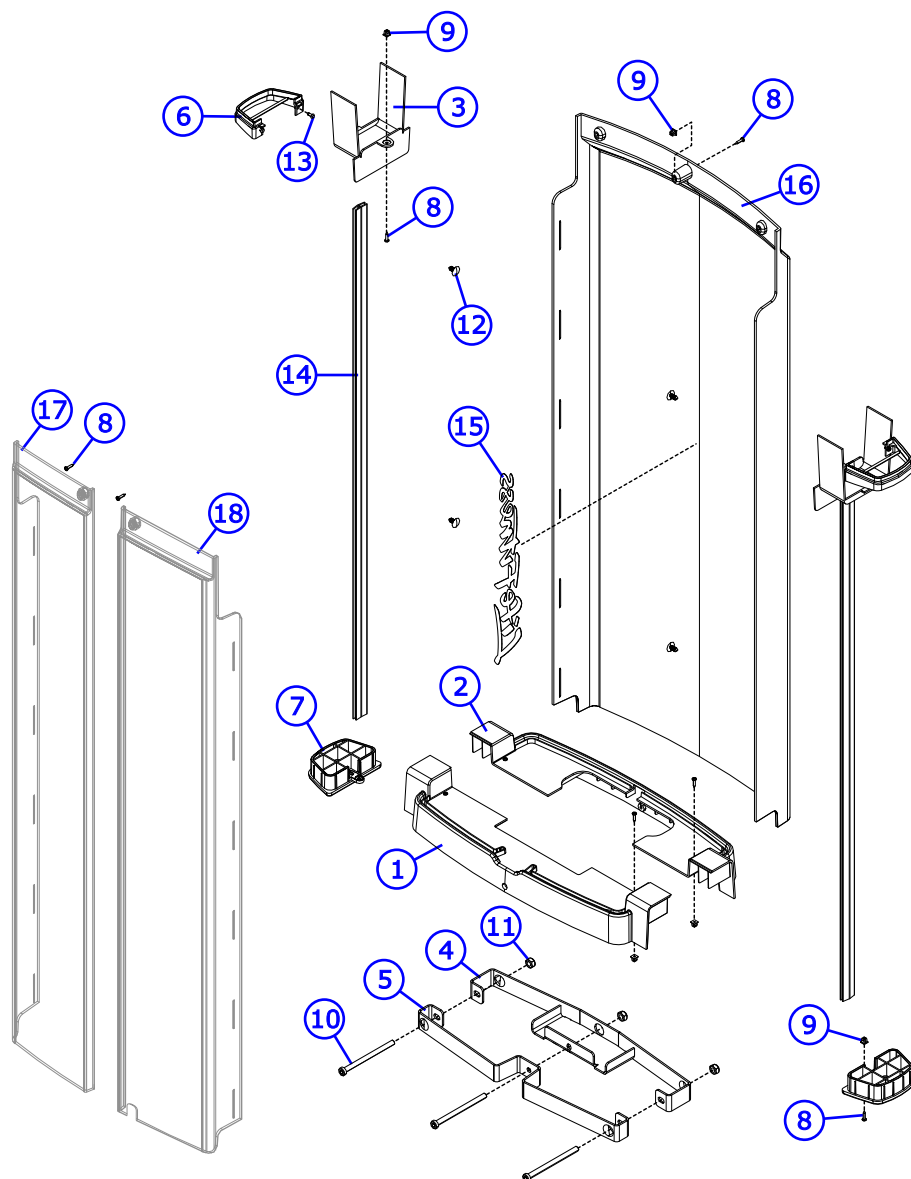
**See page 9 for table**

# Insignia Series Abductor Table

ITEM NO.	QTY.	PART NO.	DESCRIPTION	TRIM
1	1	3110008	ROLL PIN, 1/8 X 1-1/4	S L
2	6	3235601	BEARING, 6205 BALL	S L
3	12	3236202	SCREW, M10 X1.5 25MM	S L
4	5	3236204	SCREW, M10 X1.5 35MM	S L
5	2	3236205	SCREW, M10 X1.5 40MM	S L
6	2	3236208	SCREW, M10 X1.5 55MM	S L
7	42	3236601	WASHER, 3/8 SAE SS	S L
8	13	3236801	NUT, M10 HEX NYLOCK SS	S L
9	4	3236902	NUT, HEX JAM M16 X 2 SS	S L
10	4	3237407	PLUG, 1" HOLE	S L
11	1	3238601	M10X1.5 BLIND THREADED INSERT (HEX)	S L
12	2	3251202	SCREW, M10 X1.5 X 25MM UNS HEX CS ST ZN	S L
13	2	3251204	SCREW, M10 X1.5 X 35MM UNS HEX CS ST ZN	S L
14	2	3254703	NUT, M10 X 1.5 HEX ZINC	S L
15	4	3275401	M10X1.5 BLIND THREADED INSERT (HEX) -HVY	S L
16	4	3275504	SCREW, M10 X 1.5 X 35 SHCS, LOW HEAD -NO PATCH	S L
17	2	3275505	SCREW, M10 X 1.5 X 40 SHCS, LOW HEAD -NO PATCH	S L
18	4	3275507	SCREW, M10 X 1.5 X 50 SHCS, LOW HEAD -NO PATCH	S L
19	1	3275508	SCREW, M10 X 1.5 X 55 SHCS, LOW HEAD -NO PATCH	S L
20	2	3275514	SCREW, M10 X 1.5 X 85 SHCS, LOW HEAD -NO PATCH	S L
21	2	6757701	CLIP, CABLE 2-7/8 X 1 X 1	S L
22	1	7297201	PAD, LARGE CHAIR BLK, SNGL STITCH	S L
		1000000-0101	PAD, LARGE CHAIR BLK, DBL STITCH	S L
		1000000-0199	PAD, LARGE CHAIR CUS, DBL STITCH	S L
		1000000-0099	PAD, LARGE CHAIR CUS, SNGL STITCH	S L
23	1	7318201	PLATE, PULLEY	S L
24	1	7322301	PLATE, 1.97 OD X .44 ID 10GA	S L
25	3	7330001	SPACER, INTERNAL X .403	S L
26	2	7330005	SPACER, INTERNAL X 6.265	S L
27	1	7330006	SPACER, INTERNAL X 1.765	S L
28	8	7333802	CAP, SMALL FLOV- END	S L
29	3	7333902	CAP, LARGE FLOV- END	S L
30	1	7335401	NUT, M10 X 1.5 SOCKET HEAD	S L
31	4	7347301	NUT, SPIDER M10 X 1.5	S L
32	1	7351501	SPRING, PULL PIN LARGE	S L
33	2	7352002	BUMPER, 2-1/8 X 4-5/8	S L
34	2	7385203	SPACER, .406 X .750 X .500	S L
35	1	-	LABEL, SERIAL NUMBER, BLANK	S L
36	1	7592001	SHAFT, FZ, 25MM	S L
37	1	7592101	SHAFT, FZ, 25MM X 10.12 LG.	S L
38	1	7593401	BRACKET, FZ, SEAT	S L
39	4	7606202	GRIP, USER ARM	S L
40	1	7626501	PAD, FZHIP HAD/HAB-LH BLK SNGL STITCH	S L
		1000011-0101	PAD, HIP HAD/HAD LH, NO BACKER BLK, DBL STITCH	S L
		1000011-0199	PAD, HIP HAD/HAD LH, NO BACKER CUS, DBL STITCH	S L
		1000011-0099	PAD, HIP HAD/HAD LH, NO BACKER CUS, SNGL STITCH	S L
41	1	7626601	PAD, HIP HAD/HAB-RH	S L
		1000012-0101	HIP HAD/HAD RH, NO BACKER BLK, DBL STITCH	S L
		1000012-0199	HIP HAD/HAD RH, NO BACKER CUS, DBL STITCH	S L
		1000012-0099	HIP HAD/HAD RH, NO BACKER CUS, SNGL STITCH	S L
42	2	7690103	BUMPER, SLEEVE - 1 INCH DIA	S L
43	2	7730901	BRKT, COVER/CABLE RETAINER	S L
44	1	7795202	PIN, SPRING RATCHET - LONG	S L
45	1	9499802	LABEL, SS-HAB, ADJ	S L
46	1	8102902	COVER, PULLEY-BOLTED FULL	S L
47	1	8220099	LABEL, ASTM WARNING SELECT	S L
48	1	9500001	PLATE, SS-HAB ADJ	S L
49	1	9319301	FOOT, 2.50 X 4.49 FLOV	S L
50	1	9461301	COVER, FOOT - 10 deg	S L
51	5	9319901	PULLEY, 3/16 IN CABLE (T2), 4.5 IN OD	S L
52	1	1000018-0001	PAD, LARGE BACK BLK, SNGL STITCH	S L
		1000018-0099	PAD, LARGE BACK CUS, SNGL STITCH	S L
		1000018-0101	PAD, LARGE BACK BLK, DBL STITCH	S L
		1000018-0199	PAD, LARGE BACK CUS, DBL STITCH	S L
53	1	9411201	TRAY, TOWER TOP CAP	S L
54	1	9412601	CAP, TOWER -TOP	S L
55	1	9465199	LABEL, SS-HAB PLACARD, LH	S L
56	1	9436701	CAP, TOWER, TOP, PLASTIC	S -
59	2	9441600	PLATE, FOOT, HAB	S L
62	1	9454703	KNOB, ADJ	S L
64	1	9476701	LABEL, SS-HAB PLACARD, RH	S L
67	1	9482701	BRKT, SS-HAD/HAB	S L
68	1	9488901	LABEL, INSIGNIA, FCC	S L
69	2	9498901	CABLE, SS-HAB/HAD, BE, BE	S L
70	1	9423906	CABLE, SS-HAB, DIAL	S L

# Insignia Series Hip Abductor

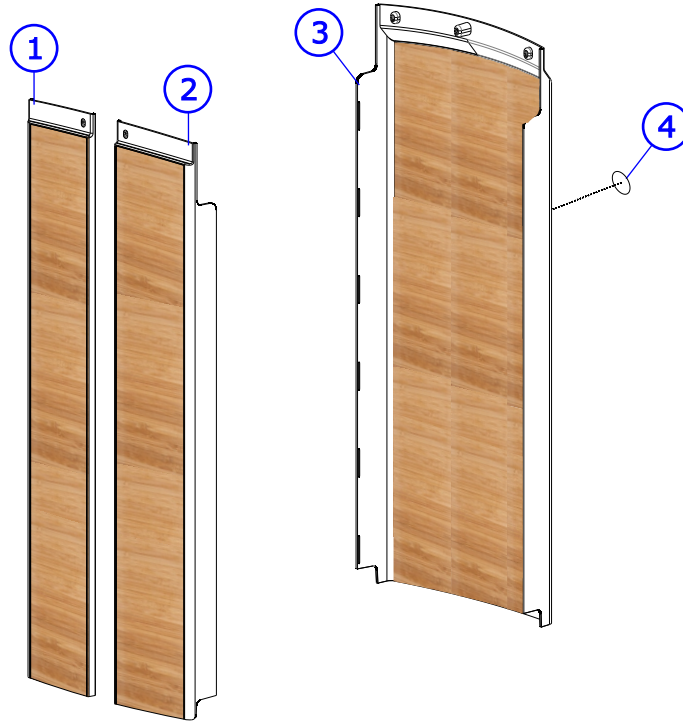
## Full Shroud Assembly



ITEM NO.	QTY.	PART NO.	DESCRIPTION
1	1	9410801	SHROUD, TOWER FRONT, SHORT - LT
2	1	1007064-0001	COVER: TOWER BOTTOM, REAR
3	2	9415701	COVER, UPPER CROSS MEMBER
4	1	1007151-0001	WLDMT: TOWER GUARD BRACKET, REAR
5	1	1007622-0001	BRACKET: TOWER GUARD, FRONT
6	2	9415801	GASKET, TRAP TUBE
7	2	9412701	ASSY, TRAP TUBE, CAP -BTM
8	11	3275801	SCREW, 8 X 3/4 DIN PHL PAN AB ST ZB
9	9	0017-00042-1147	GROMMET: SCREW,
10	3	3236220	SCREW, M10 X1.5 130MM
11	3	3236801	NUT, M10 HEX NYLOCK SS
12	4	1006620-0001	RETAINER: PANEL, 9/32 X 1/2 NYL
13	4	0017-00101-1587	RIVET, SHIELD
14	2	9414601	SHROUD EXTRUSION - SHORT
15	1	9489101	LABEL, LIFE FITNESS, 20IN.
16	1	9489001	SHROUD, SS, REAR, SRT
17	1	9410601	SHROUD, TOWER FRONT, LT - SHORT
18	1	9410703	SHROUD, SS-HAB/HAD, FNT, RT

# Insignia Series Hip Abductor

## Full Shroud Wraps



BAMBOO	DATE MADE	SERIAL #	ITEM	QTY.	PART NO.	DESCRIPTION
1/1/2015 - 3/31/2016	PRIOR TO SS-XX0416001	1	1	9511802	SHROUD, SS, FNT, LT, SRT-BAM	
		2	1	9511702	SHROUD, SS, FNT, RT, SRT-BAM	
		3	1	9511902	SHROUD, SS, REAR, SRT-BAM	
4/01/2016 - PRESENT	ON OR AFTER SS-XX0416001	1	1	1003204-0002	SHROUD, SS, FNT, LT, SRT, ABS-BAM	
		2	1	1003203-0002	SHROUD, SS, FNT, RT, SRT, ABS-BAM	
		3	1	1003205-0002	SHROUD, SS, REAR, SRT, ABS-BAM	

SKY	DATE MADE	SERIAL #	ITEM	QTY.	PART NO.	DESCRIPTION
1/1/2015 - 3/31/2016	PRIOR TO SS-XX0416001	1	1	9511803	SHROUD, SS, FNT, LT, SRT-SKY	
		2	1	9511703	SHROUD, SS, FNT, RT, SRT-SKY	
		3	1	9511903	SHROUD, SS, REAR, SRT-SKY	
4/01/2016 - PRESENT	ON OR AFTER SS-XX0416001	1	1	1003204-0003	SHROUD, SS, FNT, LT, SRT, ABS-SKY	
		2	1	1003203-0003	SHROUD, SS, FNT, RT, SRT, ABS-SKY	
		3	1	1003205-0003	SHROUD, SS, REAR, SRT, ABS-SKY	

BRONZE	DATE MADE	SERIAL #	ITEM	QTY.	PART NO.	DESCRIPTION
1/1/2015 - 3/31/2016	PRIOR TO SS-XX0416001	1	1	9511804	SHROUD, SS, FNT, LT, SRT-BRZ	
		2	1	9511704	SHROUD, SS, FNT, RT, SRT-BRZ	
		3	1	9511904	SHROUD, SS, REAR, SRT-BRZ	
4/01/2016 - PRESENT	ON OR AFTER SS-XX0416001	1	1	1003204-0004	SHROUD, SS, FNT, LT, SRT, ABS-BRZ	
		2	1	1003203-0004	SHROUD, SS, FNT, RT, SRT, ABS-BRZ	
		3	1	1003205-0004	SHROUD, SS, REAR, SRT, ABS-BRZ	

STEM	DATE MADE	SERIAL #	ITEM	QTY.	PART NO.	DESCRIPTION
1/1/2015 - 3/31/2016	PRIOR TO SS-XX0416001	1	1	9511805	SHROUD, SS, FNT, LT, SRT-STM	
		2	1	9511705	SHROUD, SS, FNT, RT, SRT-STM	
		3	1	9511905	SHROUD, SS, REAR, SRT-STM	
4/01/2016 - PRESENT	ON OR AFTER SS-XX0416001	1	1	1003204-0005	SHROUD, SS, FNT, LT, SRT, ABS-STM	
		2	1	1003203-0005	SHROUD, SS, FNT, RT, SRT, ABS-STM	
		3	1	1003205-0005	SHROUD, SS, REAR, SRT, ABS-STM	

ROSEWOOD	DATE MADE	SERIAL #	ITEM	QTY.	PART NO.	DESCRIPTION
1/1/2015 - 3/31/2016	PRIOR TO SS-XX0416001	1	1	9511806	SHROUD, SS, FNT, LT, SRT-RSW	
		2	1	9511706	SHROUD, SS, FNT, RT, SRT-RSW	
		3	1	9511906	SHROUD, SS, REAR, SRT-RSW	
4/01/2016 - PRESENT	ON OR AFTER SS-XX0416001	1	1	1003204-0006	SHROUD, SS, FNT, LT, SRT, ABS-RSW	
		2	1	1003203-0006	SHROUD, SS, FNT, RT, SRT, ABS-RSW	
		3	1	1003205-0006	SHROUD, SS, REAR, SRT, ABS-RSW	

STAINLESS STEEL	DATE MADE	SERIAL #	ITEM	QTY.	PART NO.	DESCRIPTION
1/1/2015 - 3/31/2016	PRIOR TO SS-XX0416001	1	1	9511807	SHROUD, SS, FNT, LT, SRT-SS	
		2	1	9511707	SHROUD, SS, FNT, RT, SRT-SS	
		3	1	9511907	SHROUD, SS, REAR, SRT-SS	
4/01/2016 - PRESENT	ON OR AFTER SS-XX0416001	1	1	1003204-0007	SHROUD, SS, FNT, LT, SRT, ABS-SS	
		2	1	1003203-0007	SHROUD, SS, FNT, RT, SRT, ABS-SS	
		3	1	1003205-0007	SHROUD, SS, REAR, SRT, ABS-SS	

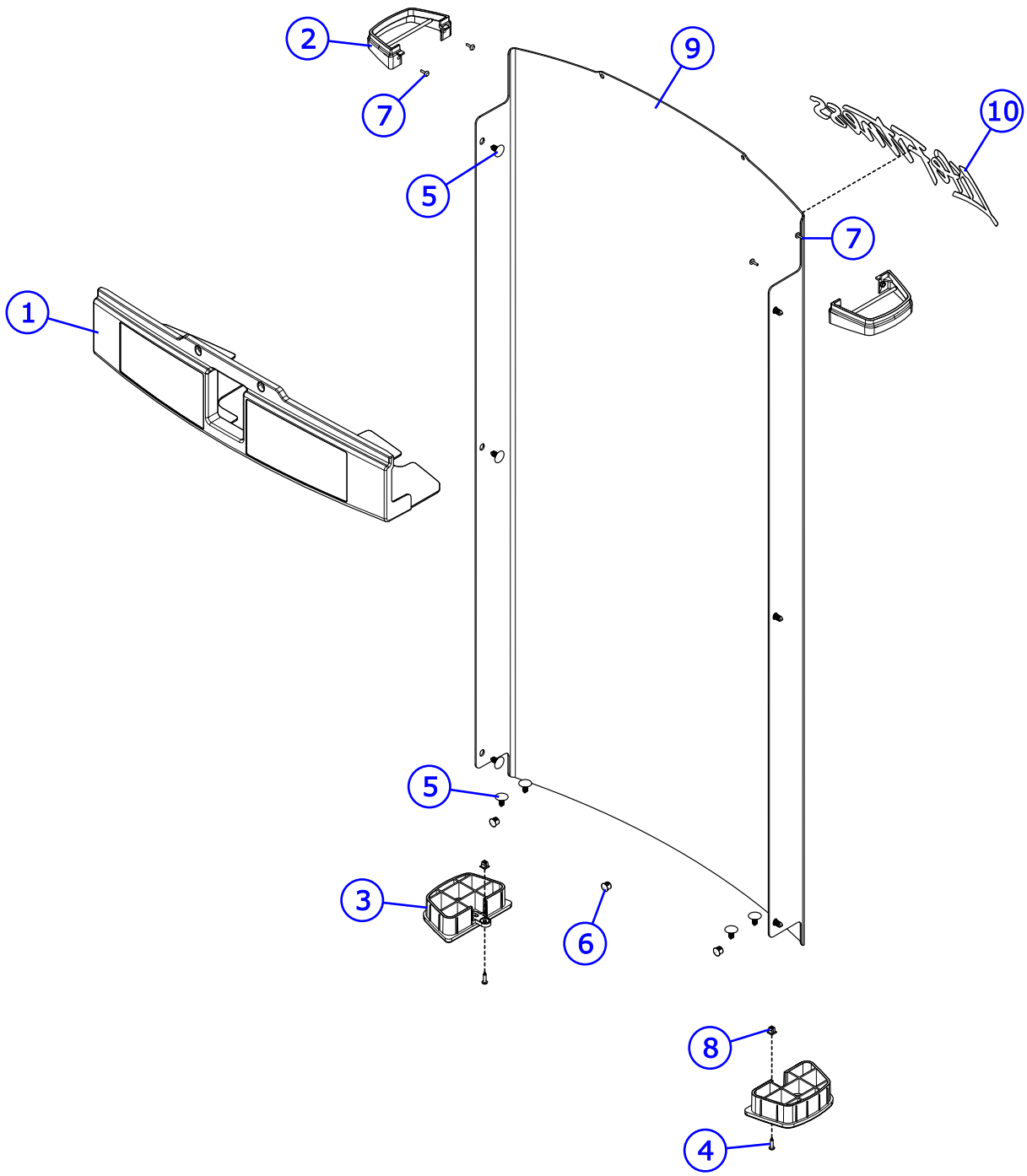
PREMIUM STAINLESS STEEL	DATE MADE	SERIAL #	ITEM	QTY.	PART NO.	DESCRIPTION
4/01/2016 - PRESENT	ON OR AFTER SS-XX0416001	1	1	1003204-0008	SHROUD, SS, FNT, LT, SRT, ABS-PSS	
		2	1	1003203-0008	SHROUD, SS, FNT, RT, SRT, ABS-PSS	
		3	1	1003205-0008	SHROUD, SS, REAR, SRT, ABS-PSS	

PREMIUM BLACK CARBON FIBER	DATE MADE	SERIAL #	ITEM	QTY.	PART NO.	DESCRIPTION
4/01/2016 - PRESENT	ON OR AFTER SS-XX0416001	1	1	1003204-0009	SHROUD, SS, FNT, LT, SRT, ABS-PBCF	
		2	1	1003203-0009	SHROUD, SS, FNT, RT, SRT, ABS-PBCF	
		3	1	1003205-0009	SHROUD, SS, REAR, SRT, ABS-PBCF	

4	1	AK58-00245-2401	MEDALLION-ASSY,LF-BUG B
---	---	-----------------	-------------------------

# Insignia Series Hip Abductor

## Rear Shroud Assembly

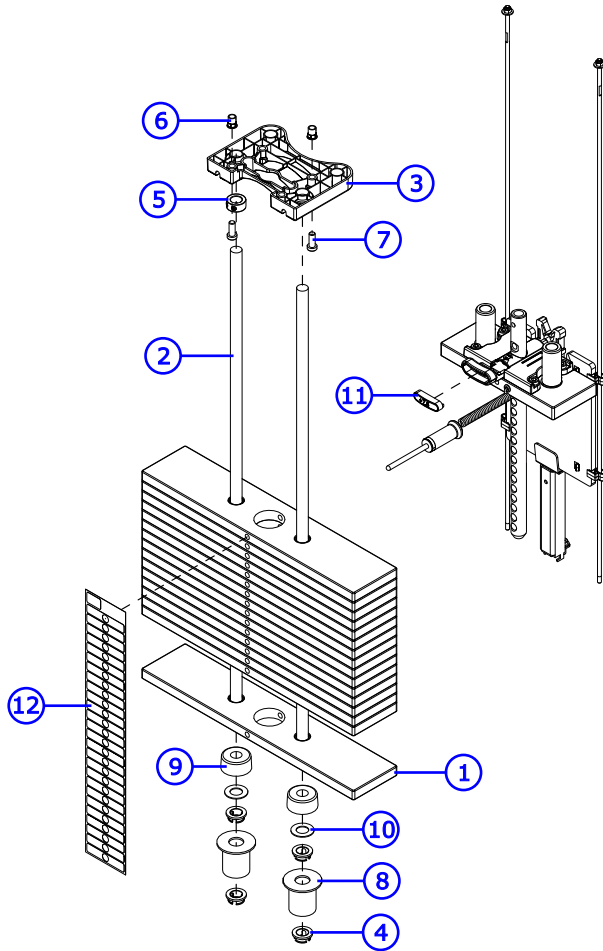


ITEM NO.	QTY.	PART NO.	DESCRIPTION
1	1	1008444-0001	ASSY: TOP TRIM, PLACARD MNT
2	2	9415801	GASKET, TRAP TUBE
3	2	9412701	ASSY, TRAP TUBE, CAP -BTM
4	2	3275801	SCREW, 8 X 3/4 DIN PHL PAN AB ST ZB
5	10	1006620-0001	RETAINER: PANEL, 9/32 X 1/2 NYL
6	3	3237405	PLUG, 7/16" HOLE
7	4	0017-00101-1587	RIVET, SHIELD
8	2	0017-00042-1147	GROMMET: SCREW,
9	1	1009335-0001	SHROUD: REAR, W/LOGO, STD
10	1	1008491-0001	LABEL, LIFE FITNESS, 16IN

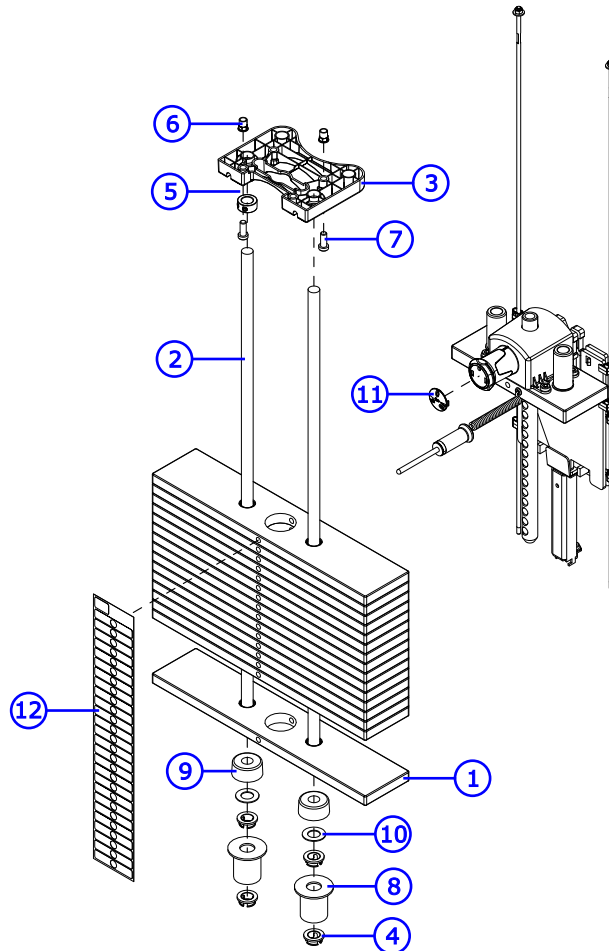
# Insignia Series Hip Abductor

## Weight Stack Assemblies

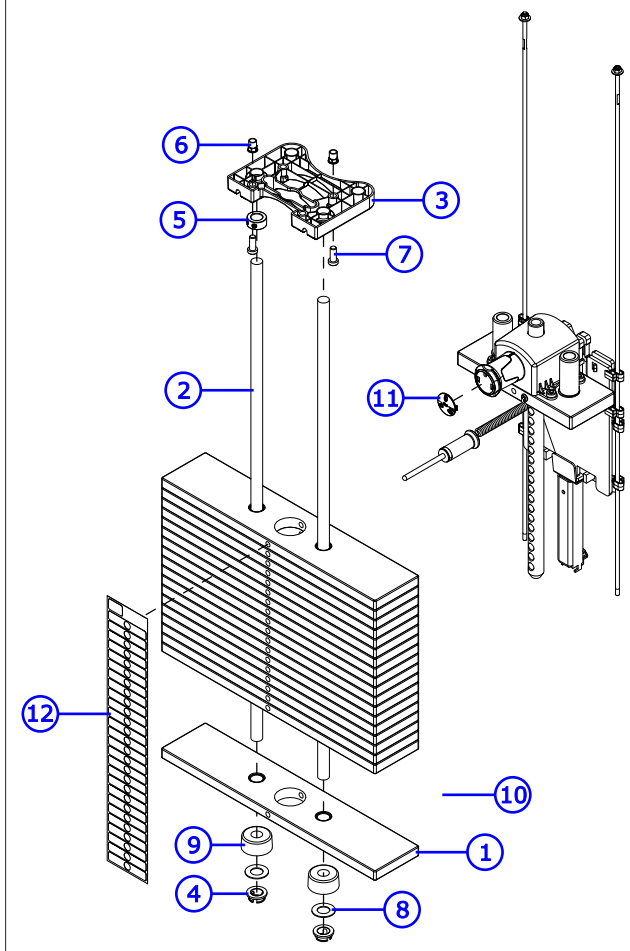
**P - Base**



**C - Light**



**X - Heavy**



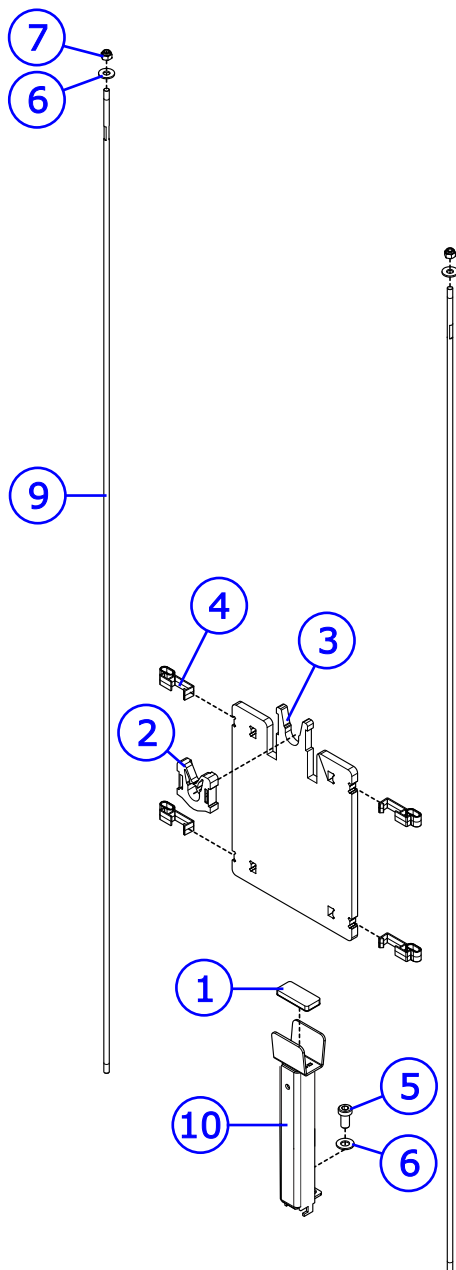
ITEM NO.	QTY.	PART NO.	DESCRIPTION
1	16	9407601	WEIGHT PLATE
2	2	7328612	GUIDE ROD, .75 OD SOLID 50.36
3	1	9412801	RETAINER, GUIDE ROD -TOP
4	4	7337901	BUSHING, GUIDE ROD
5	1	3103301	SHAFT COLLAR,
6	2	3238601	M10X1.5 BLIND THREADED INSERT (HEX)
7	2	3236202	SCREW, M10 X1.5 25MM
8	2	9495912	WLDMT, WGT STK SPACER X 2.50 -CHR
9	2	7352101	CUSHION, WEIGHT STACK
10	2	7351001	SPACER, INC WT STACK
11	1	1006750-0001	CAP, 7.5 LB INC WEIGHT - LBS
		1006751-0001	CAP, 3.75 KG INC WEIGHT - KG
12	1	9475101	LABEL, 3/4 IN WGT STACK, 385 LB
		9475401	LABEL, 3/4 IN WGT STACK, 192.5 KG

ITEM NO.	QTY.	PART NO.	DESCRIPTION
1	16	9407601	WEIGHT PLATE
2	2	7328612	GUIDE ROD, .75 OD SOLID 50.36
3	1	9412801	RETAINER, GUIDE ROD -TOP
4	4	7337901	BUSHING, GUIDE ROD
5	1	3103301	SHAFT COLLAR,
6	2	3238601	M10X1.5 BLIND THREADED INSERT (HEX)
7	2	3236202	SCREW, M10 X1.5 25MM
8	2	9495912	WLDMT, WGT STK SPACER X 2.25 -CHR
9	2	7352101	CUSHION, WEIGHT STACK
10	2	7351001	SPACER, INC WT STACK
11	1	9431403	CAP, SELECTOR KNOB -LBS
		9450103	CAP, SELECTOR KNOB -KG
12	1	9475101	LABEL, 3/4 IN WGT STACK, 385 LB
		9475401	LABEL, 3/4 IN WGT STACK, 192.5 KG

ITEM NO.	QTY.	PART NO.	DESCRIPTION
1	19	9407601	WEIGHT PLATE
2	2	7328612	GUIDE ROD, .75 OD SOLID 50.36
3	1	9412801	RETAINER, GUIDE ROD -TOP
4	4	7337901	BUSHING, GUIDE ROD
5	1	3103301	SHAFT COLLAR,
6	2	3238601	M10X1.5 BLIND THREADED INSERT (HEX)
7	2	3236202	SCREW, M10 X1.5 25MM
8	2	7352101	CUSHION, WEIGHT STACK
9	2	7351001	SPACER, INC WT STACK
10	1	9431403	CAP, SELECTOR KNOB -LBS
		9450103	CAP, SELECTOR KNOB -KG
11	1	9475101	LABEL, 3/4 IN WGT STACK, 385 LB
		9475401	LABEL, 3/4 IN WGT STACK, 192.5 KG

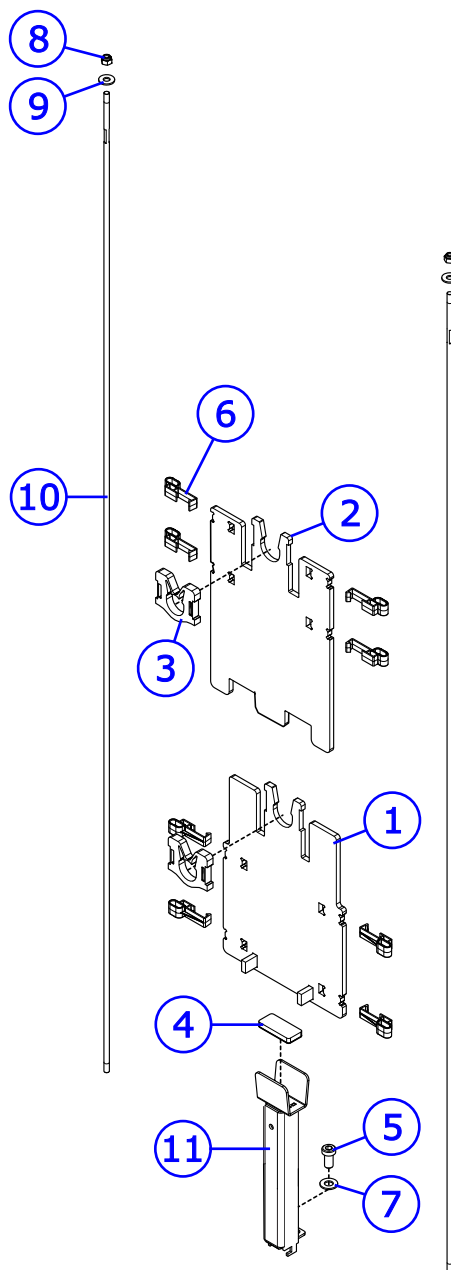
# Insignia Series Hip Abductor Increment Weights

## P - Base



ITEM NO.	QTY.	PART NO.	DESCRIPTION
1	1	1008552-0001	BUMPER: EA FOAM, INC WEIGHT
2	1	1008566-0001	GUARD: INCREMENT WEIGHT, 0.375
3	1	1008366-0028	PLATE: INCREMENT WEIGHT, 7.5LB - CHR
4	4	1008368-0001	CLIP: INCREMENT WEIGHT PLATE, 0.375
5	1	3236201	SCREW, M10 X1.5 20MM
6	1	3236601	WASHER, 3/8 SAE SS
7	2	3102506	WASHER, FLAT 1/4 ID ZN
8	2	3102806	NUT, NYLOCK 1/4-20 ZN
9	2	1008192-0002	GUIDE ROD: INC WEIGHT, 0.25 OD SOLID
10	1	1009179-0026	WLDMT: BRACKET, INC WEIGHT SPACER -

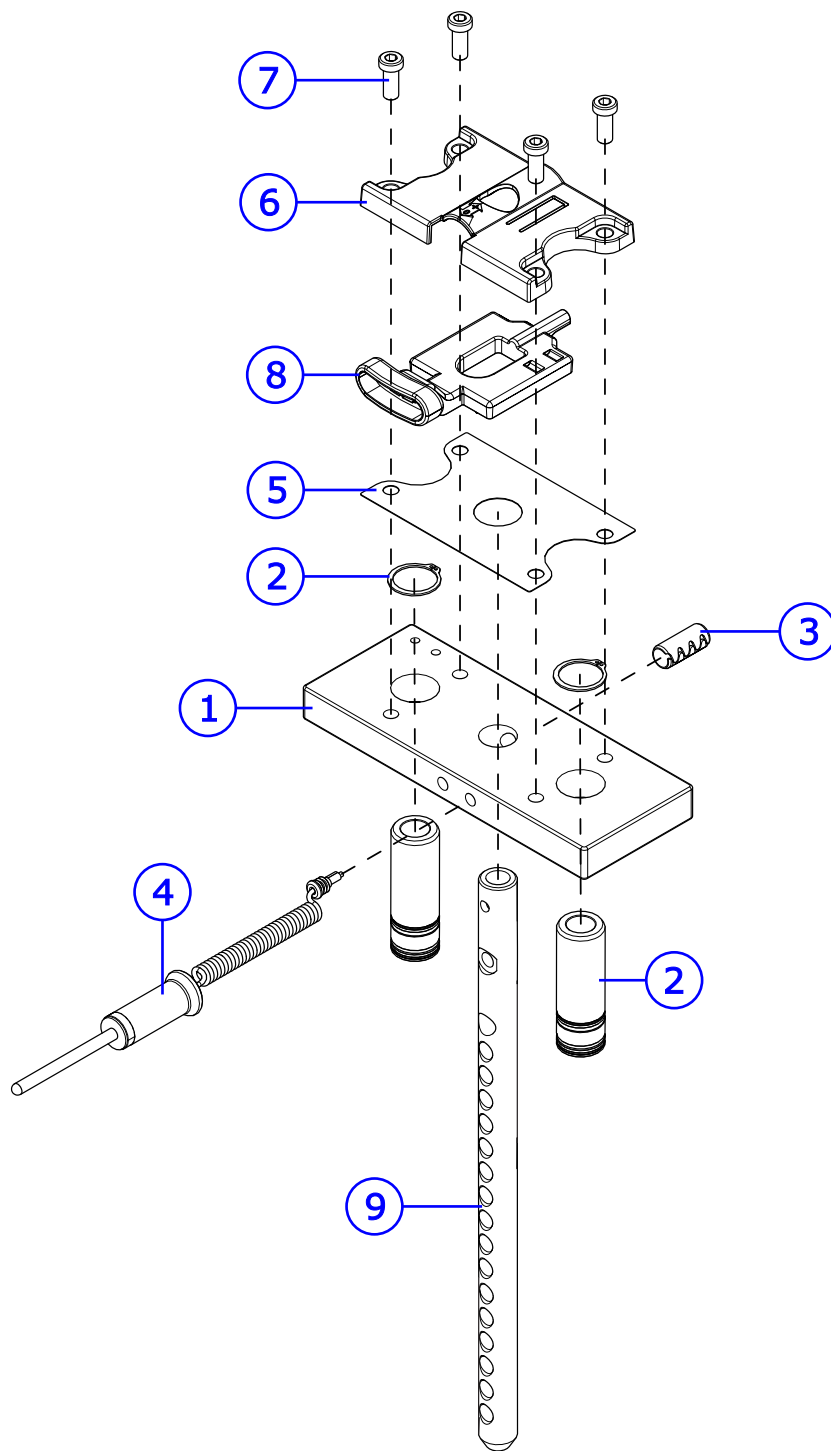
## C - Light & X - Heavy



ITEM NO.	QTY.	PART NO.	DESCRIPTION
1	1	1009264-0028	WLDMT: DIAL INCREMENT WEIGHT, 5LB, REAR - CHR
2	1	1009266-0028	PLATE: INCREMENT WEIGHT, 5LB, FRONT - CHR
3	2	1008920-0001	GUARD: INCREMENT WEIGHT, 0.25
4	1	1008552-0001	BUMPER: EA FOAM, INC WEIGHT
5	1	3236201	SCREW, M10 X1.5 20MM
6	8	1008367-0001	CLIP: INCREMENT WEIGHT PLATE, 0.25
7	1	3236601	WASHER, 3/8 SAE SS
8	2	3102806	NUT, NYLOCK 1/4-20 ZN
9	2	3102506	WASHER, FLAT 1/4 ID ZN
10	2	1008192-0001	GUIDE ROD: INC WEIGHT, 0.25 OD SOLID
11	1	1009178-0026	WLDMT: BRACKET, INC WEIGHT SPACER

# Insignia Series Hip Abductor

## P Trim Head Plate Assembly

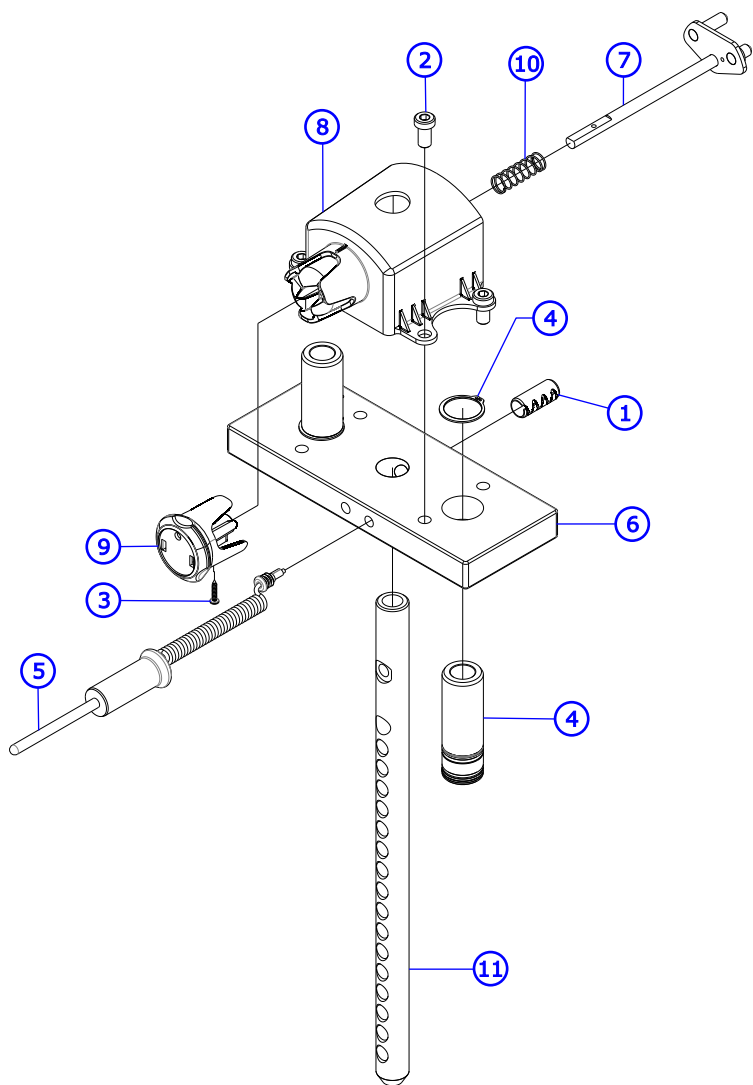


ITEM NO.	QTY.	PART NO.	DESCRIPTION
1	1	9427401	HEADPLATE, WT. STACK, 10LB
2	2	9296001	BUSHING, HEADPLATE, LONG
3	1	3236001	BUSHING, SPRING PIN
4	1	1003679-0003	ASSY, WGT STK SELECTOR PIN -YELLOW
5	1	1006707-0001	DIE CUT: 7.5LB INC WEIGHT, NYLON SHEET, 0.020"
6	1	1007806-0001	HSNG, 7.5LB INC WEIGHT
7	4	3236202	SCREW, M10 X1.5 25MM
8	1	1008675-0001	HANDLE: 7.5LB INC WT, PLASTIC
9	1	9434202	BAYONET, 16 PLATE

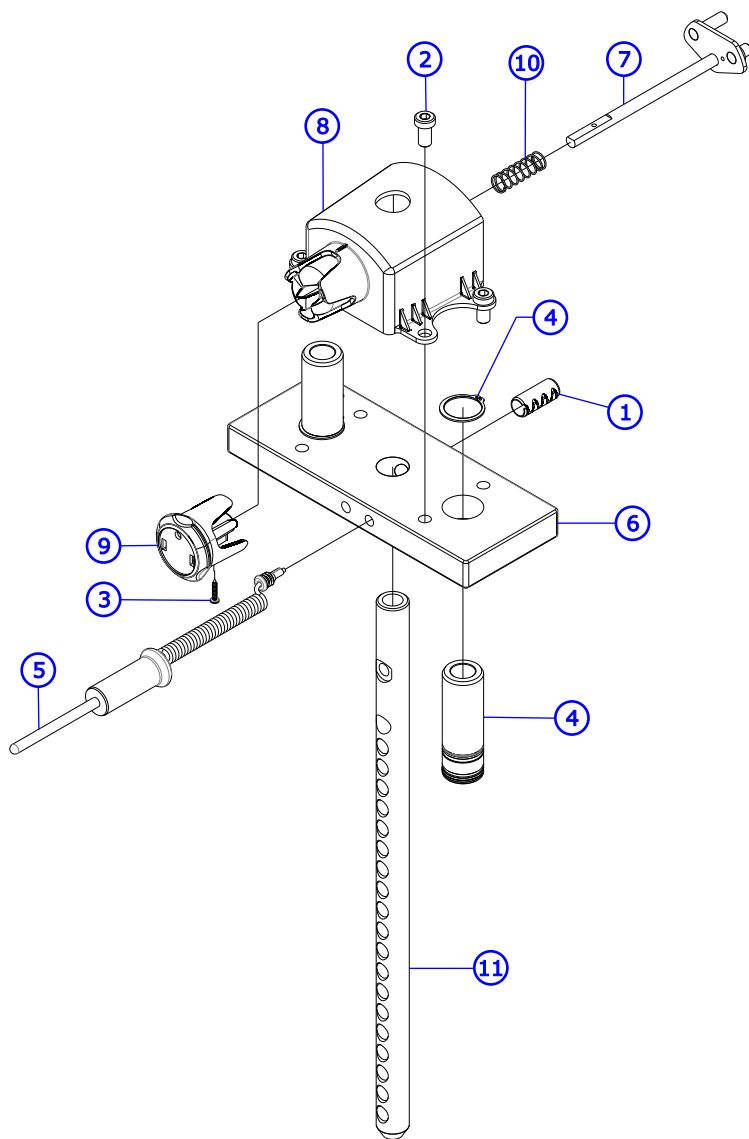
# Insignia Series Hip Abductor

## C and X Trim Head Plate Assemblies

**C Trim**



**X Trim**

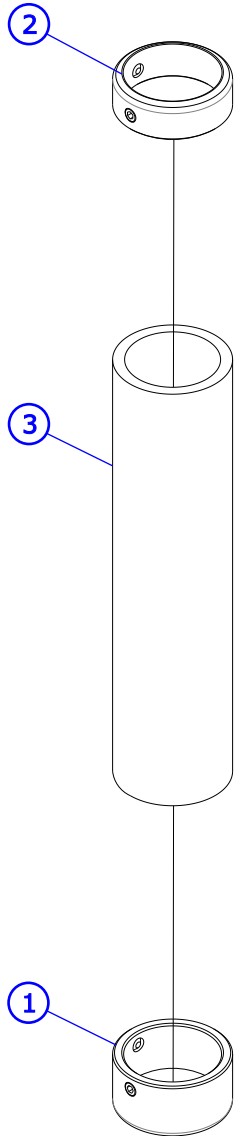


ITEM NO.	QTY.	PART NO.	DESCRIPTION
1	1	3236001	BUSHING, SPRING PIN
2	4	3236201	SCREW, M10 X1.5 20MM
3	1	3275601	SCREW, 6 X 3/4 DIN PHL PAN AB ST ZB
4	2	9296001	BUSHING, HEADPLATE, LONG
5	1	1003679-0003	ASSY, WGT STK SEL PIN -YEL
6	1	9427401	HEADPLATE, WT. STACK, 10LB
7	1	1008989-0001	WLDMT, INC WGT PIN
8	1	9430501	HSNG, INC WEIGHT
9	1	9443201	KNOB, INC WEIGHT
10	1	9443301	SPRING, INC WGT PIN
11	1	9434202	BAYONET, 16 PLATE

ITEM NO.	QTY.	PART NO.	DESCRIPTION
1	1	3236001	BUSHING, SPRING PIN
2	4	3236201	SCREW, M10 X1.5 20MM
3	1	3275601	SCREW, 6 X 3/4 DIN PHL PAN AB ST ZB
4	2	9296001	BUSHING, HEADPLATE, LONG
5	1	1003679-0003	ASSY, WGT STK SEL PIN -YEL
6	1	9427401	HEADPLATE, WT. STACK, 10LB
7	1	1008989-0001	WLDMT, INC WGT PIN
8	1	9430501	HSNG, INC WEIGHT
9	1	9443201	KNOB, INC WEIGHT
10	1	9443301	SPRING, INC WGT PIN
11	1	9426002	BAYONET, 19 PLATE

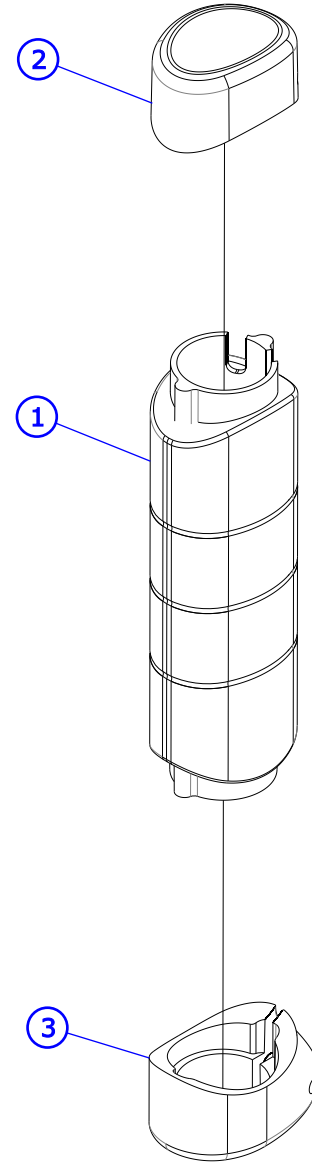
# Insignia Series Hip Abductor Grip Assemblies

## S Trim



ITEM NO.	QTY.	PART NO.	DESCRIPTION
1	1	7662901	CAP, GRIP 1.25 OD
2	1	7662801	RING, GRIP
3	1	3235806	GRIP, 1.25 OD X .125 WALL, OPEN END

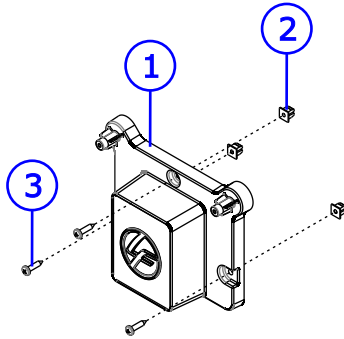
## L Trim



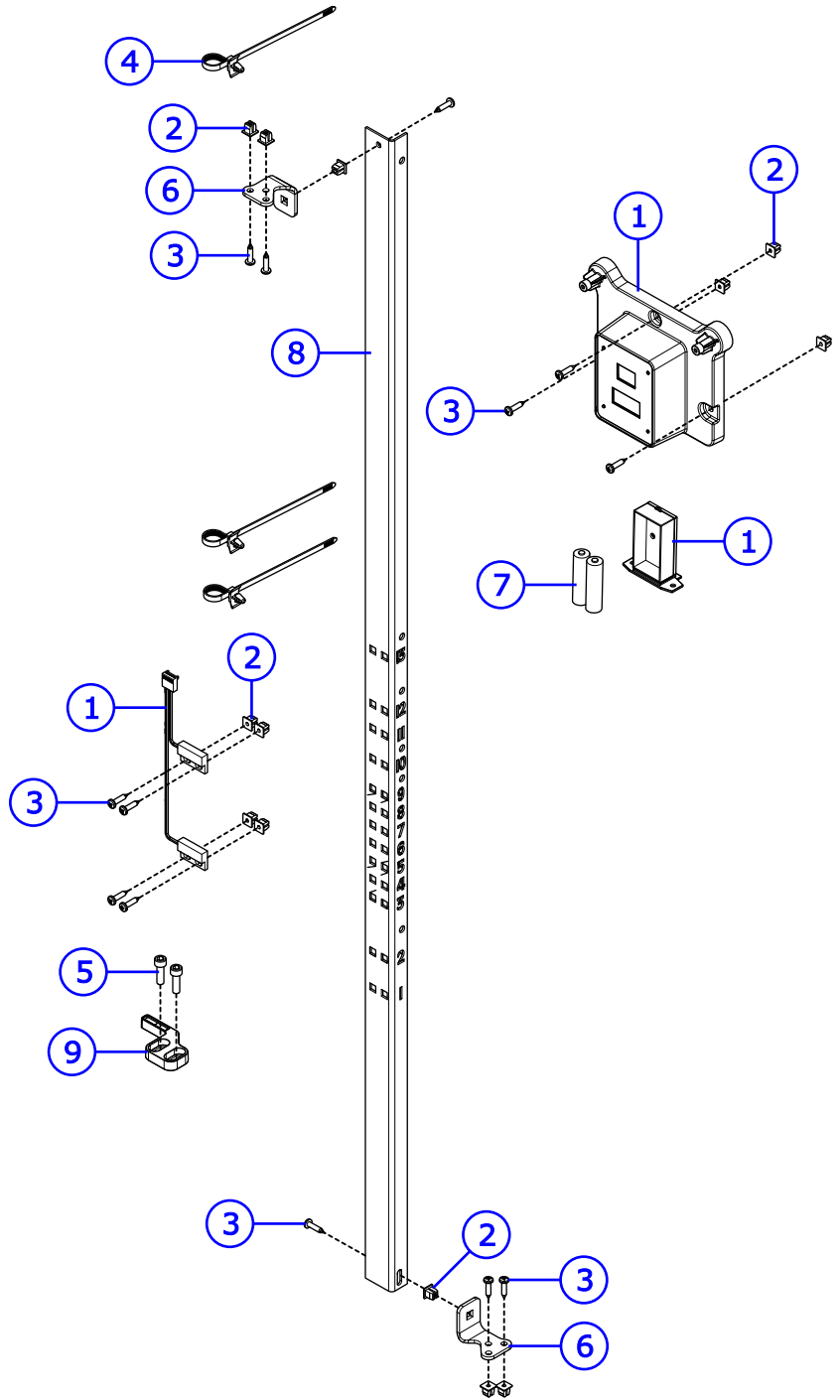
ITEM NO.	QTY.	PART NO.	DESCRIPTION
1	1	9453001	GRIP, ERGO, OVERMOLD
2	1	1001761-0001	ASSY, CAP, GRIP
3	1	1001760-0001	ASSY, COLLAR, ERGO GRIP

# Insignia Series Hip Abductor Sensor Assemblies

## S Trim



## L Trim



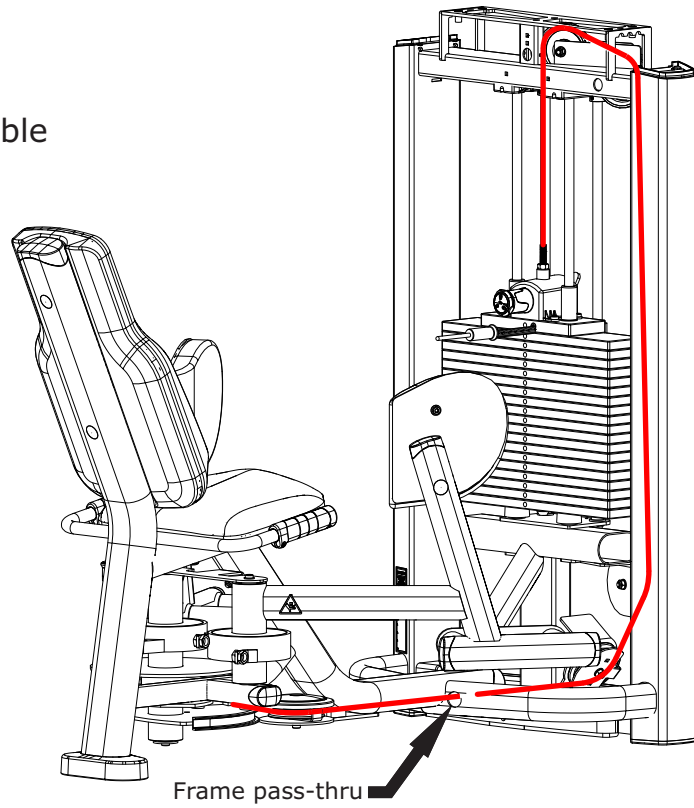
ITEM NO.	QTY.	PART NO.	DESCRIPTION
1	1	1006334-0001	ASSY_DUMMY HOUSING
2	3	0017-00042-1147	GROMMET: SCREW, 8 OR 10
3	3	3275801	SCREW, 8 X 3/4 DIN PHL PAN AB ST ZB

ITEM NO.	QTY.	PART NO.	DESCRIPTION
1	1	1008199-0001	ASSY: REP COUNTER/SWITCH/MAGNET
2	13	0017-00042-1147	GROMMET: SCREW,
3	13	3275801	SCREW, 8 X 3/4 DIN PHL PAN AB ST ZB
4	3	3276101	GROMMET, CABLE TIE
5	2	3241701	SCREW, M6 X1 20MM
6	2	1007269-0028	BRACKET: RAIL MOUNT, REP CNTR
7	2	-	BATTERY, AA
8	1	1008003-0028	BRACKET: SWITCH MNT, STD
9	1	1007177-0001	ASSY: MAGNET, REP CNTR

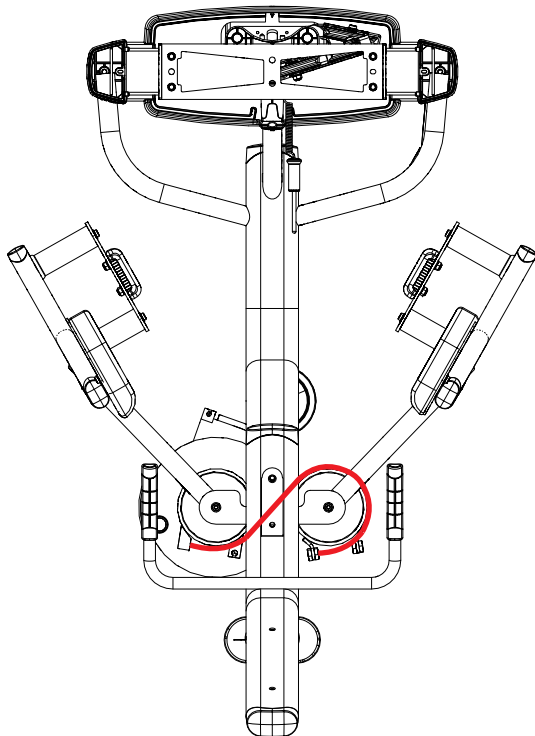
# Insignia Series Hip Abductor Cable Routing

---

Weight Stack Cable



Top Figure 8 Cable



Lower Figure 8 Cable

