

LifeFitness

Arctic Silver 93T DSP Treadmill



Customer Support Services
PARTS MANUAL rev 28 Nov 2007

MANUALS & MISC	
M051-00K58-A215	MANUAL: OPER; 93T; ENG
M051-00K58-A253	MANUAL: SERVICE; 97T/95T-05/93T-06
M051-00K58-A219	INSTR: ASSY; 93T; ENG
AK58-00489-0000	INSTR-BAG ASSY: MFG; 93T; ENG

AK58-00227-0000	HDWR-BAG ASSY: MFG; 93T	
Part Number	Description	Qty
0K58-01305-0002	PLUG: UPRIGHT S/C-C	2
0K58-01347-0000	GASKET: ERGOBAR C	2
0K58-01348-0000	COLLAR: HANDRAIL B	2
0017-00009-1049	WRENCH: TORX; T27 B	1
0017-00042-0326	GROMMET: PLASTI; .130/.005 S/C#13-B	2
0017-00042-0840	CLIP: WIRE; PUSH-MTG; 3/4"; S/C#80-B	5
0017-00101-1770	8-15X 8 PHL PAN A SS NO B	6
0017-00101-1772	10-16X 8 PHL PAN B ST ZS B	6
0017-00101-1773	1/4 -20X 8 TRX BUT CS SS NO B	6
0017-00101-1774	5/16-18X40 TRX FLT CS ST ZS B	4
0017-00101-1778	1/2 -13X16 UNS HEX CS G5 ZB B	4
0017-00101-1780	8- X20 PHL TRS AB SS NO B	8
0017-00104-0325	WSH 516-.873-125 SL-D ST ZN B	4
0017-00103-0327	NUT 5/16-18 HEX; JAM D ST ZS B	4

GK58-00002-0095	KIT: SERV; ROLLER-GUARDS; 93/95Ti BM	
" Parts that are included in this kit is as follows "		
Part Number	Description	Qty
AK58-00360-0001	GUARD-ASSY: MFG; RT; 3.50 B	1
AK58-00360-0002	GUARD-ASSY: MFG; LT; 3.50 B	1
M051-00K58-B128	INSTR: SERV; ROLLER-GUARDS +	1
0017-00042-0326	GROMMET: PLASTI; .130/.005 S/C#13-B	2
0017-00042-1147	GROMMET: NYLON; SCREW B	2
0017-00101-1776	10-16X 8 PHL PAN B ST ZB B	4

GK58-00002-0071	KIT: SERV; ANTI-SLIP RAIL BM	
Part Number	Description	Qty
Only available in the kit	INSTR:TEMPLT; ANTI-SLIP RAIL B	4
Only available in the kit	INSTR: KIT; ANTI-SLIP RAIL +	1
OK58-01376-0000	RAIL: ANTI-SLIP;STEALTH-GREY E	2
Only available in the kit	PAD: WIPE; ALCOHOL/DRY B	

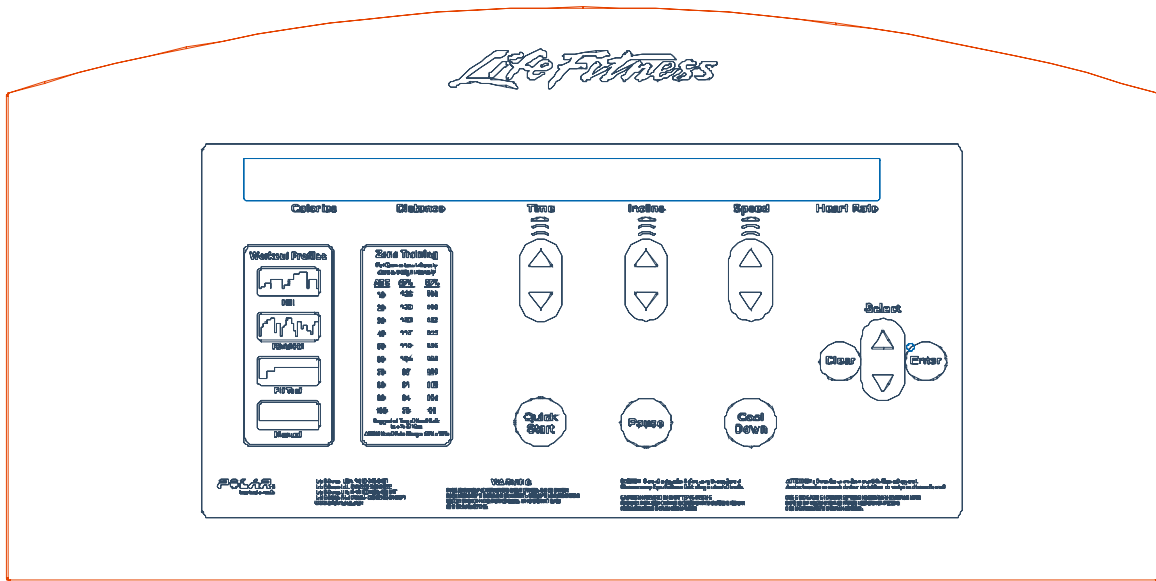
TOUCH UP PAINT:		
0017-00008-0204	PAINT: CAN; SPRAY; ARCTIC SILVER	
0017-00008-0205	PAINT: BOTTLE; ARCTIC SILVER (.5 OZ)	
0017-00008-0206	PAINT: PEN; ARCTIC SILVER (.33 OZ)	

INK TRANSFOR TOUCH-UP PAINT: SB No. GN05032101N		
0017-00008-0210	PAINT: TOUCH-UP; SHADOW-GRAY; .6 OZ BTL.	
0017-00008-0211	PAINT: TOUCH-UP; SHADOW-GRAY; .6 OZ. PEN	

	Page
Console and Overlay Assembly	5
Console Components	6
Uprights, Hand Rails, and Ergo Bar	7
Ergo Bar with Lifepulse	8
Rear Endcaps and Cup Holders	9
Motor Cover, Front Cover, and Endcaps	10
Scuff Pad and Tinsel	11
On-Off Switch, Access Plate, and Grommets	12
Belt, Deck, and Rear Roller	13
Lift Frame and Lift Motor	14
Idler Arm Assembly	15
Leg Leveler Assembly	16
Front Roller Assembly	17
Drive Motor Assembly	18
DSP Controller Assembly	19
Line Cords	20
Power Components Schematic (Domestic)	21
Power Components Schematic (International)	22

ARCTIC SILVER 93T DSP
Console and Overlay Assembly

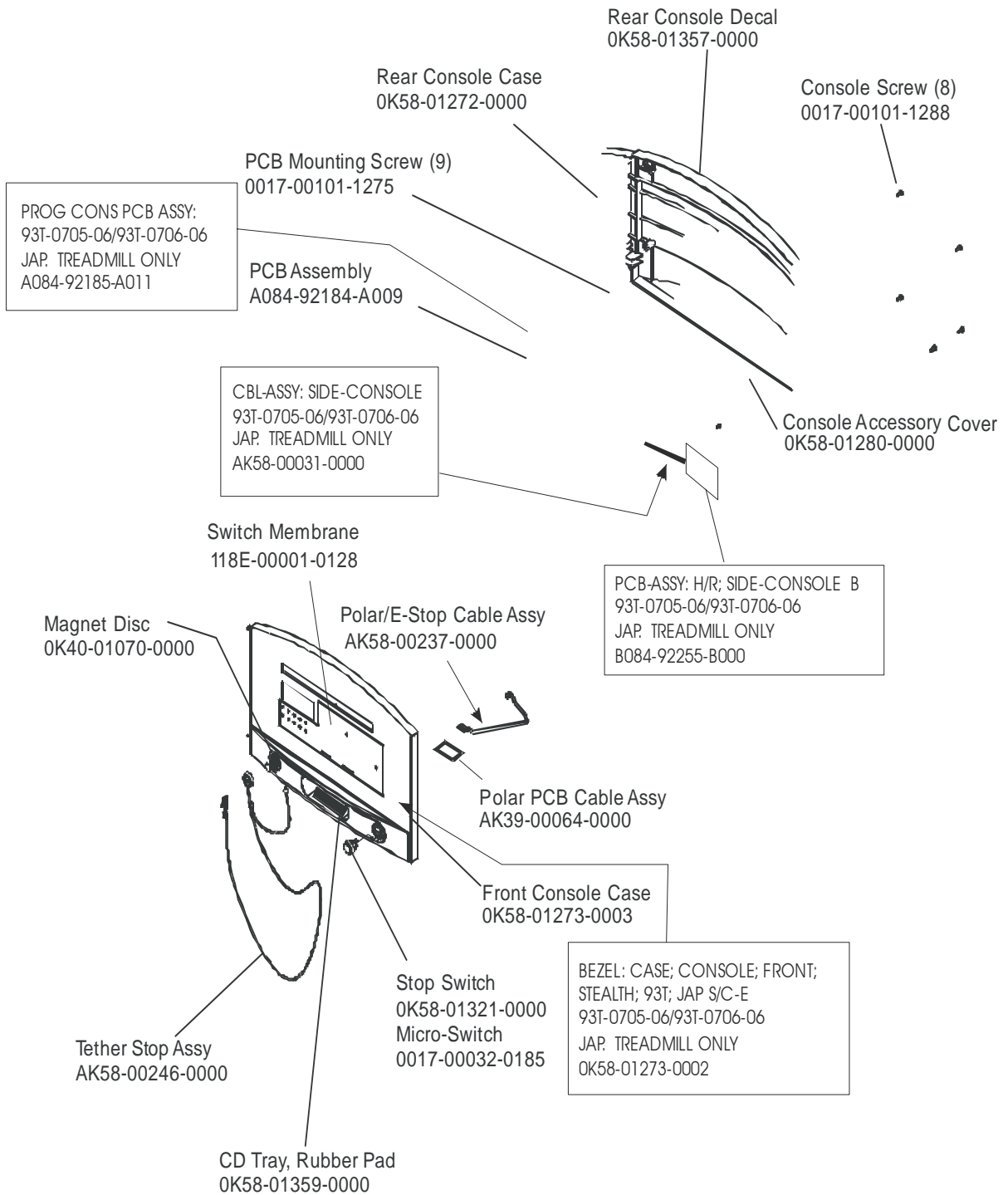
93T-XXXX-06
S/N TH100000 and up



MODEL #	LANGUAGE	CONSOLE	OVERLAY/BEZEL ASSY	OVERLAY
93T-0100-06	ENG/ENG	AK58-00481-0001	AK58-00526-0001	0K58-01432-0001
93T-0101-06	ENG+MET	AK58-00481-0002	AK58-00526-0001	0K58-01432-0001
93T-0102-06	ENG+MET	AK58-00481-0002	AK58-00526-0001	0K58-01432-0001
93T-0103-06	ENG+MET	AK58-00481-0002	AK58-00526-0001	0K58-01432-0001
93T-0104-06	ENG+MET	AK58-00481-0002	AK58-00526-0001	0K58-01432-0001
93T-0201-06	GER/MET	AK58-00481-0003	AK58-00526-0003	0K58-01432-0003
93T-0301-06	FRN/MET	AK58-00481-0007	AK58-00526-0007	0K58-01432-0007
93T-0401-06	SPN/MET	AK58-00481-0004	AK58-00526-0004	0K58-01432-0004
93T-0501-06	ITL/MET	AK58-00481-0008	AK58-00526-0008	0K58-01432-0008
93T-0601-06	DUT/MET	AK58-00481-0009	AK58-00526-0009	0K58-01432-0009
93T-0705-06	JAP/MET	AK58-00481-0006	AK58-00526-0006	0K58-01445-0006
93T-0706-06	JAP/MET	AK58-00481-0006	AK58-00526-0006	0K58-01445-0006
93T-0801-06	POR/MET	AK58-00481-0010	AK58-00526-0010	N/A

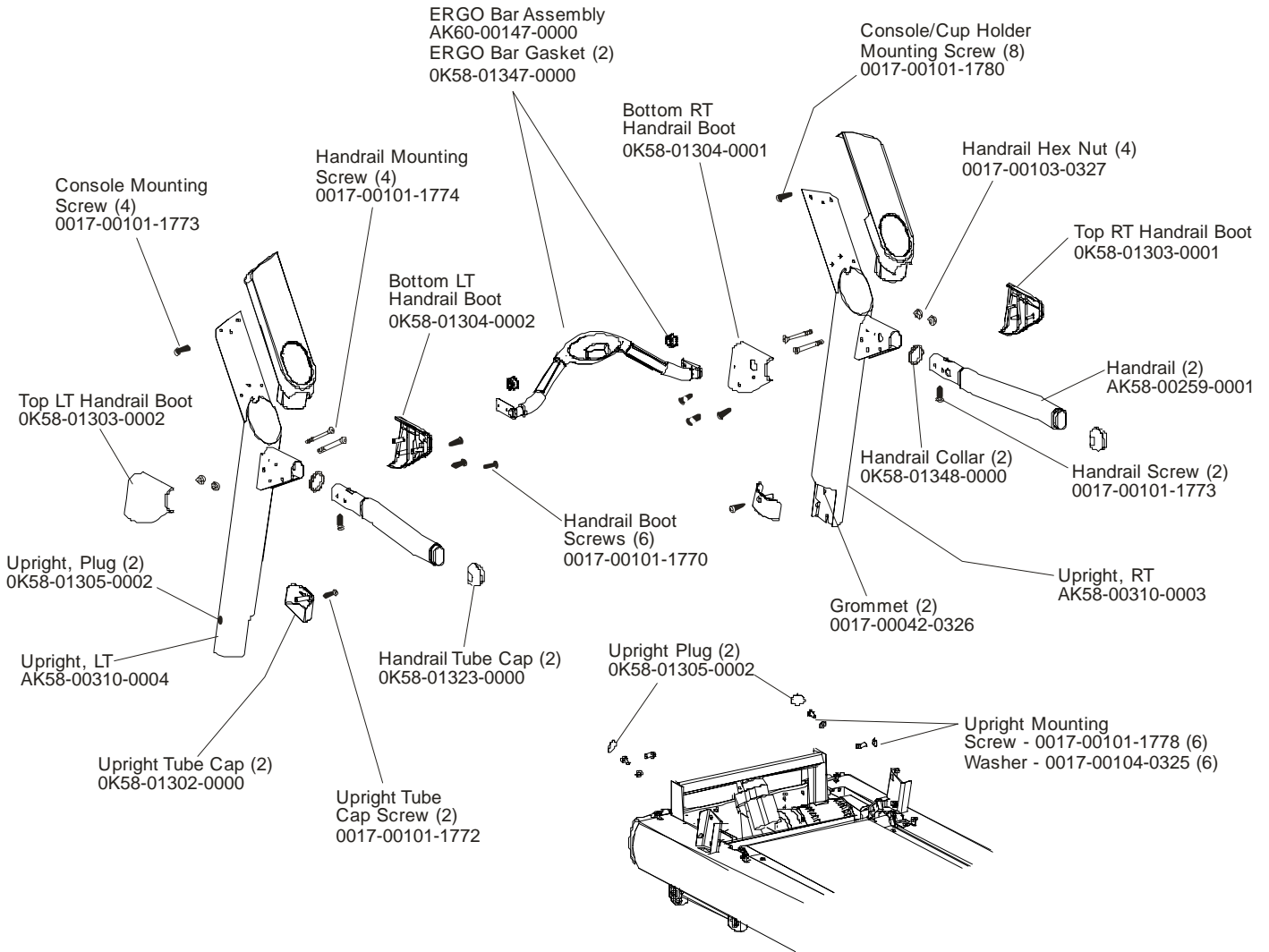
ARCTIC SILVER 93T DSP
Console Components

93T-XXXX-06
S/N TH100000 and up



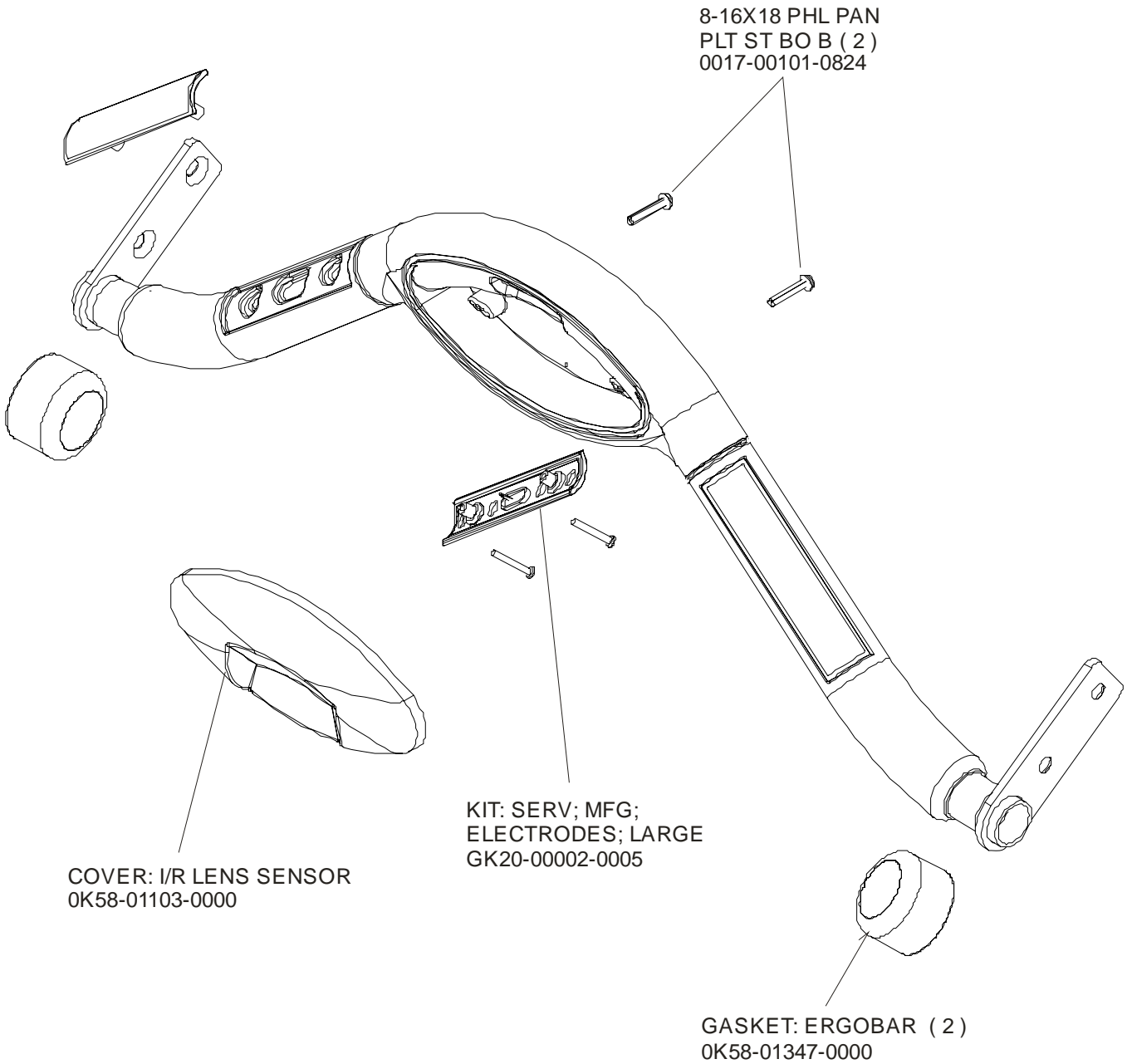
ARCTIC SILVER 93T DSP
Uprights, Handrails, and Ergo Bar

93T-XXXX-06
S/N TH100000 and up



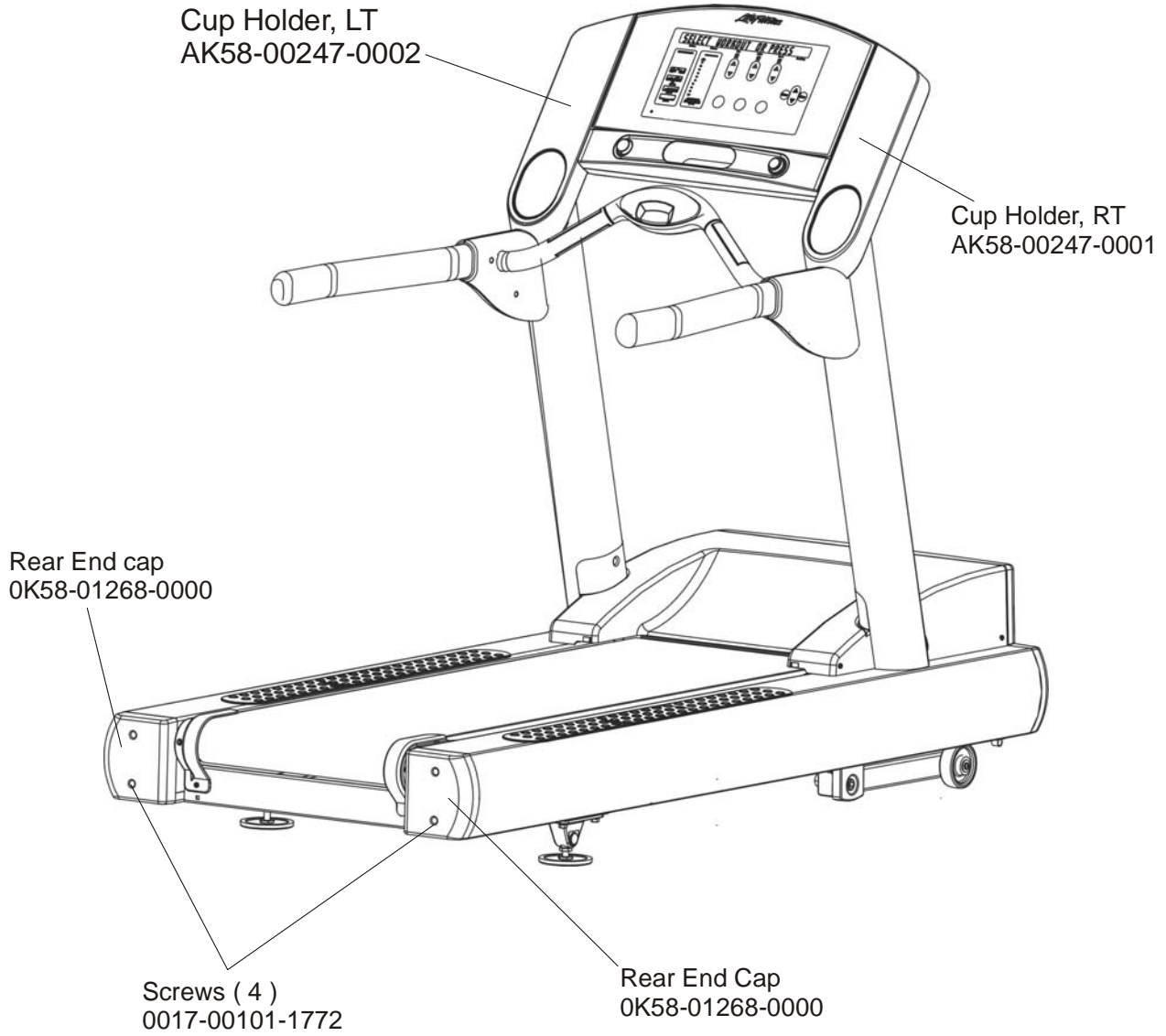
ARCTIC SILVER 93T DSP
Ergo Bar w/Lifepulse

93T-XXXX-06
S/N TH1100000 and up



ARCTIC SILVER 93T DSP
Rear End Caps and Cup Holders

93T-XXXX-06
S/N THI100000 and up

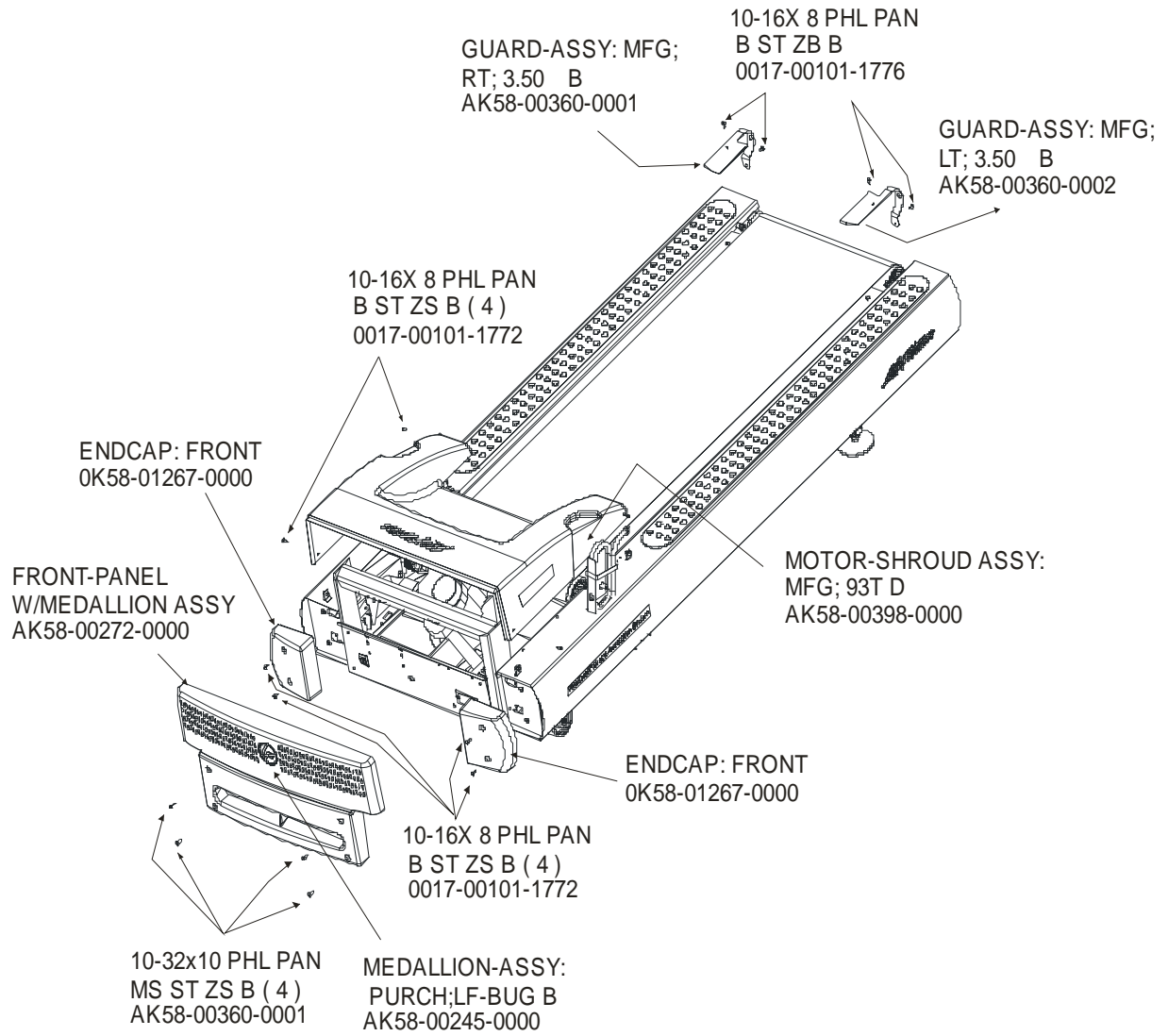


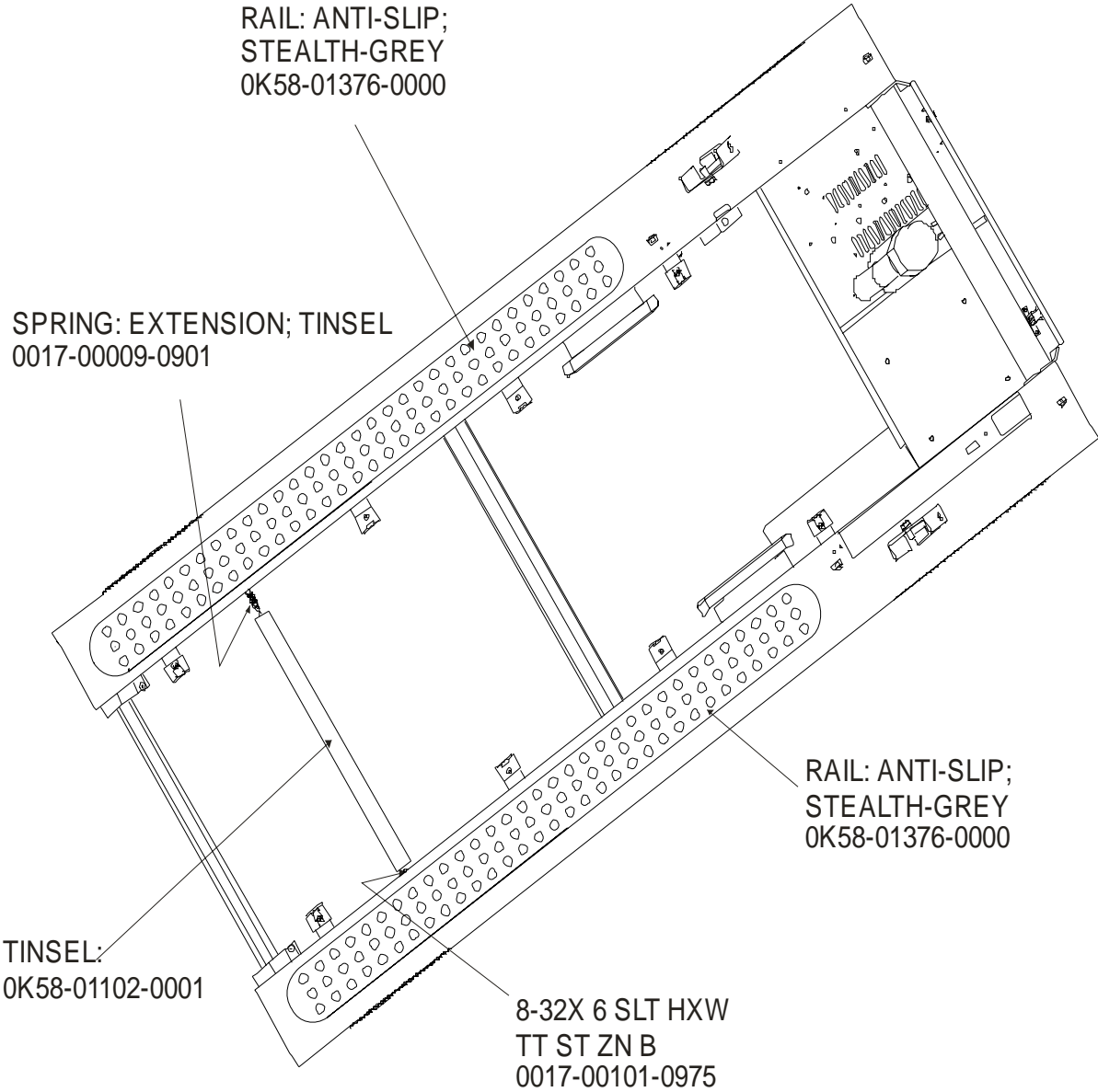
ARCTIC SILVER 93T DSP

93T-XXXX-06

Motor Cover, Front Cover, and Front End Caps

S/N TH100000 and up



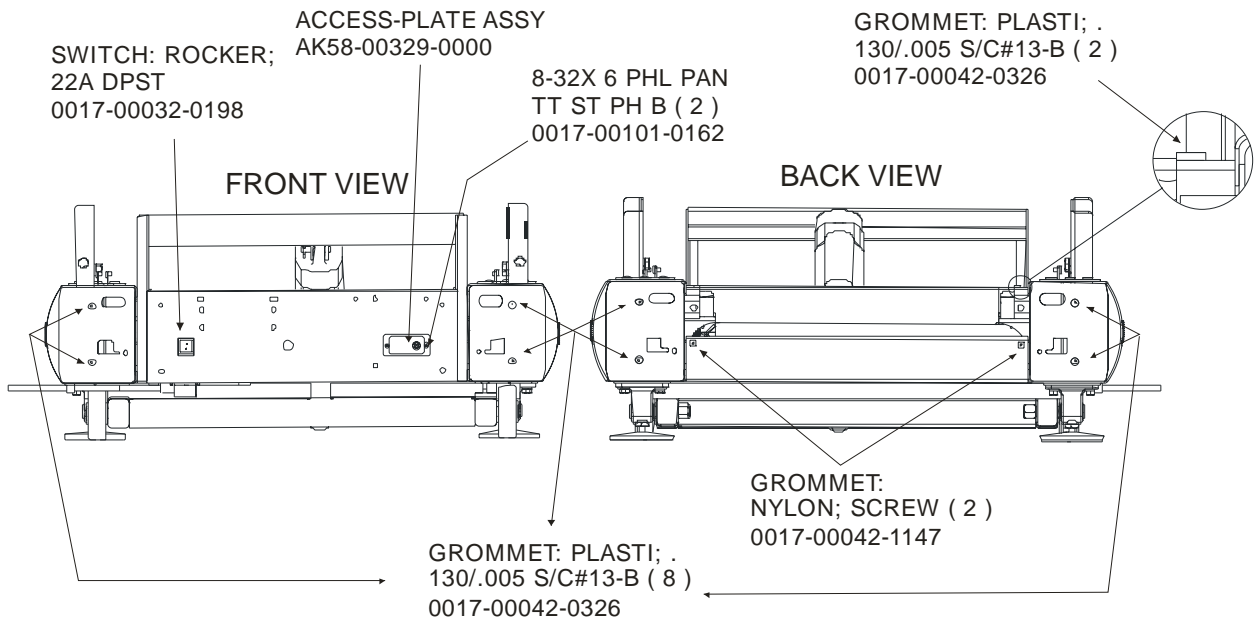
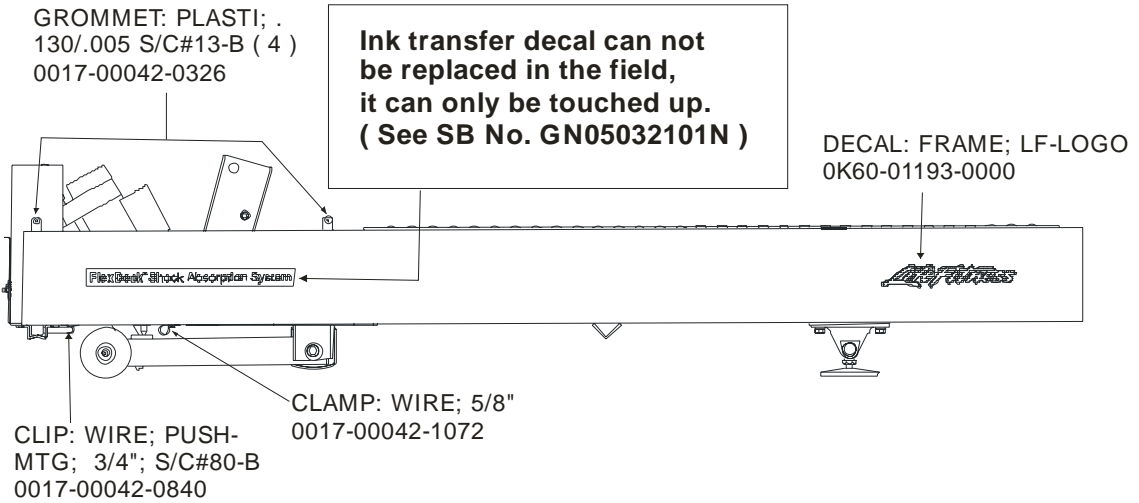


ARCTIC SILVER 93T DSP

On-Off Switch, Access Plate, and Grommets

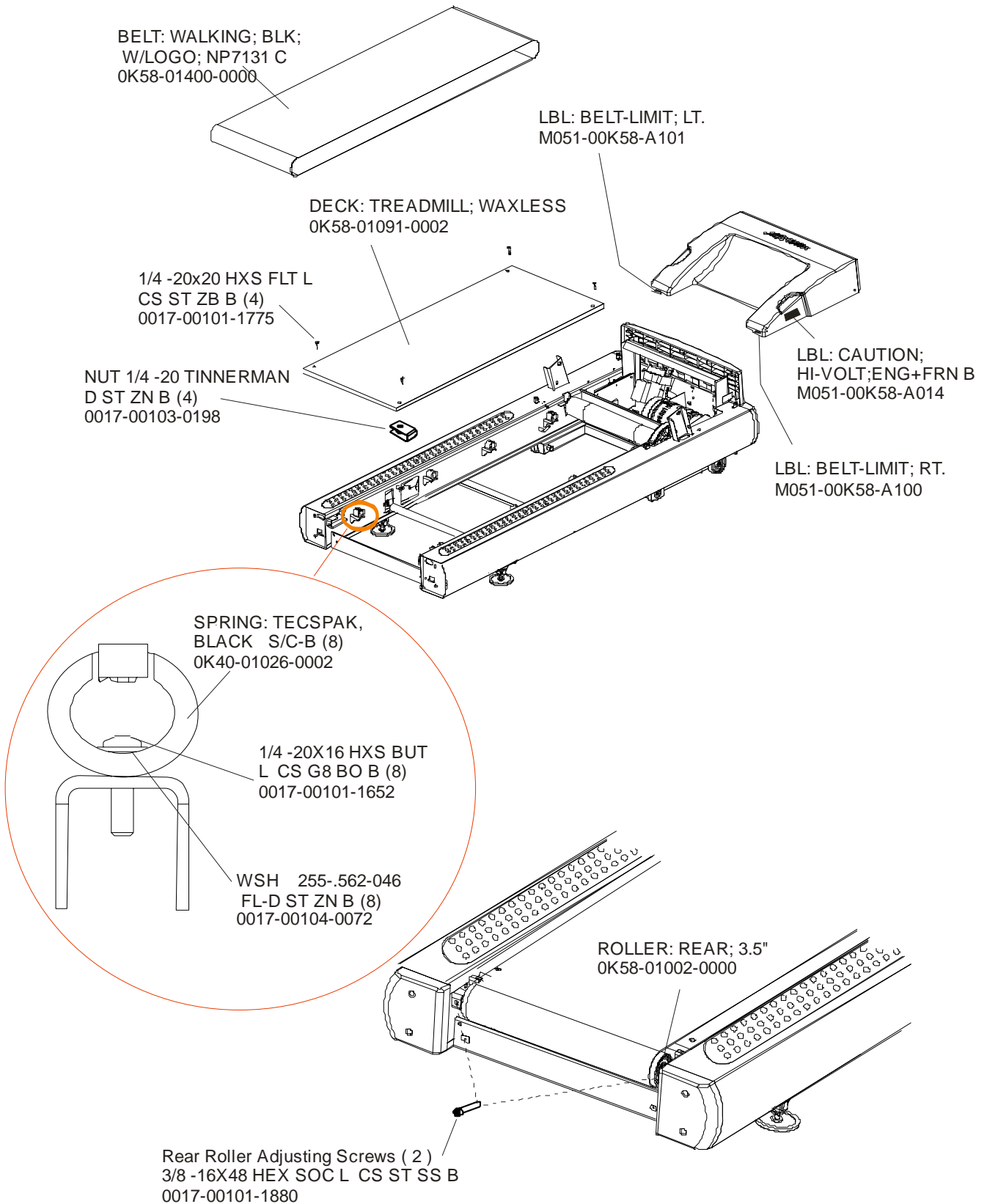
93T-XXXX-06

S/N TH100000 and up



ARCTIC SILVER 93T DSP
Belt, Deck, and Rear Roller

93T-XXXX-06
S/N TH100000 and up

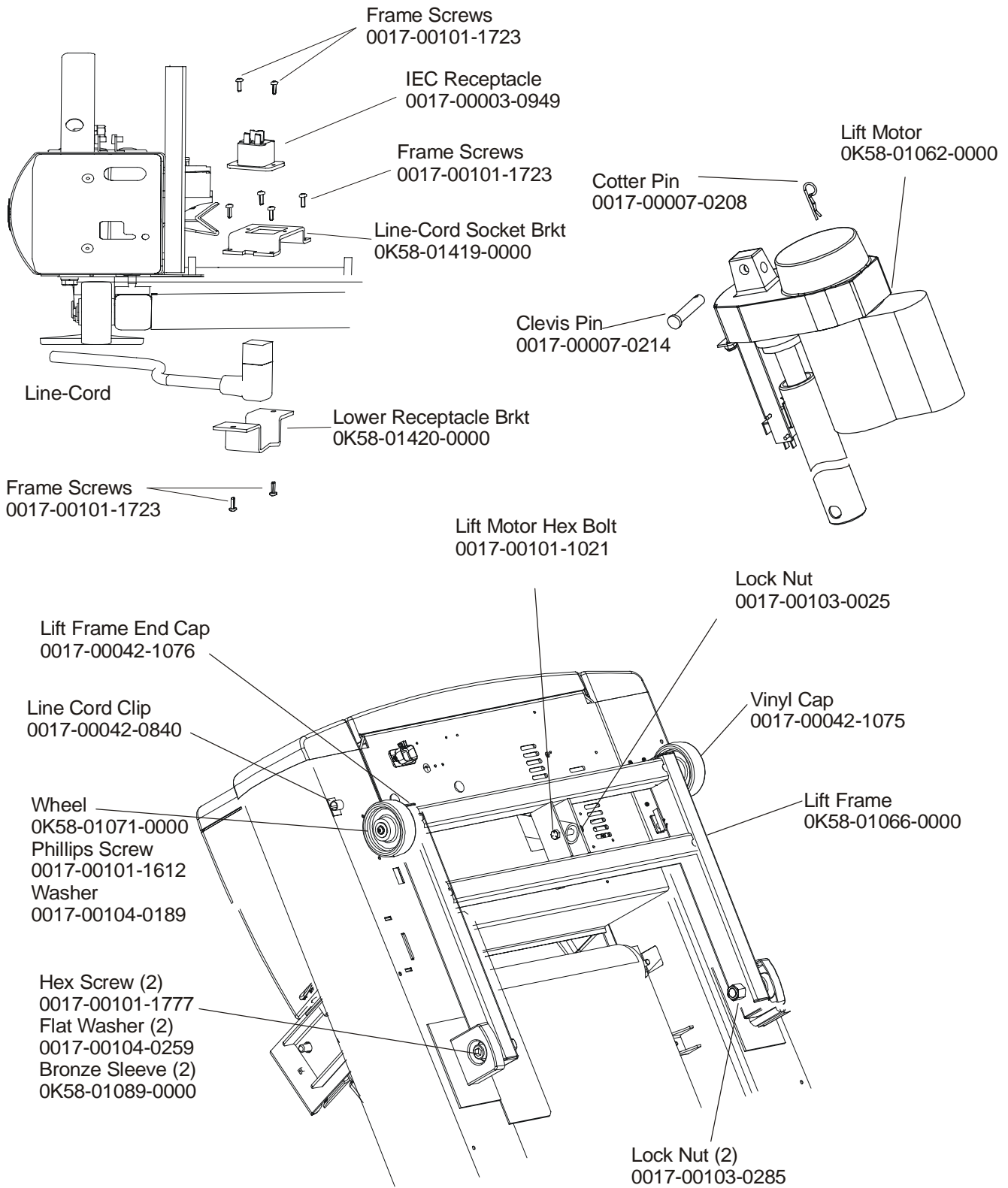


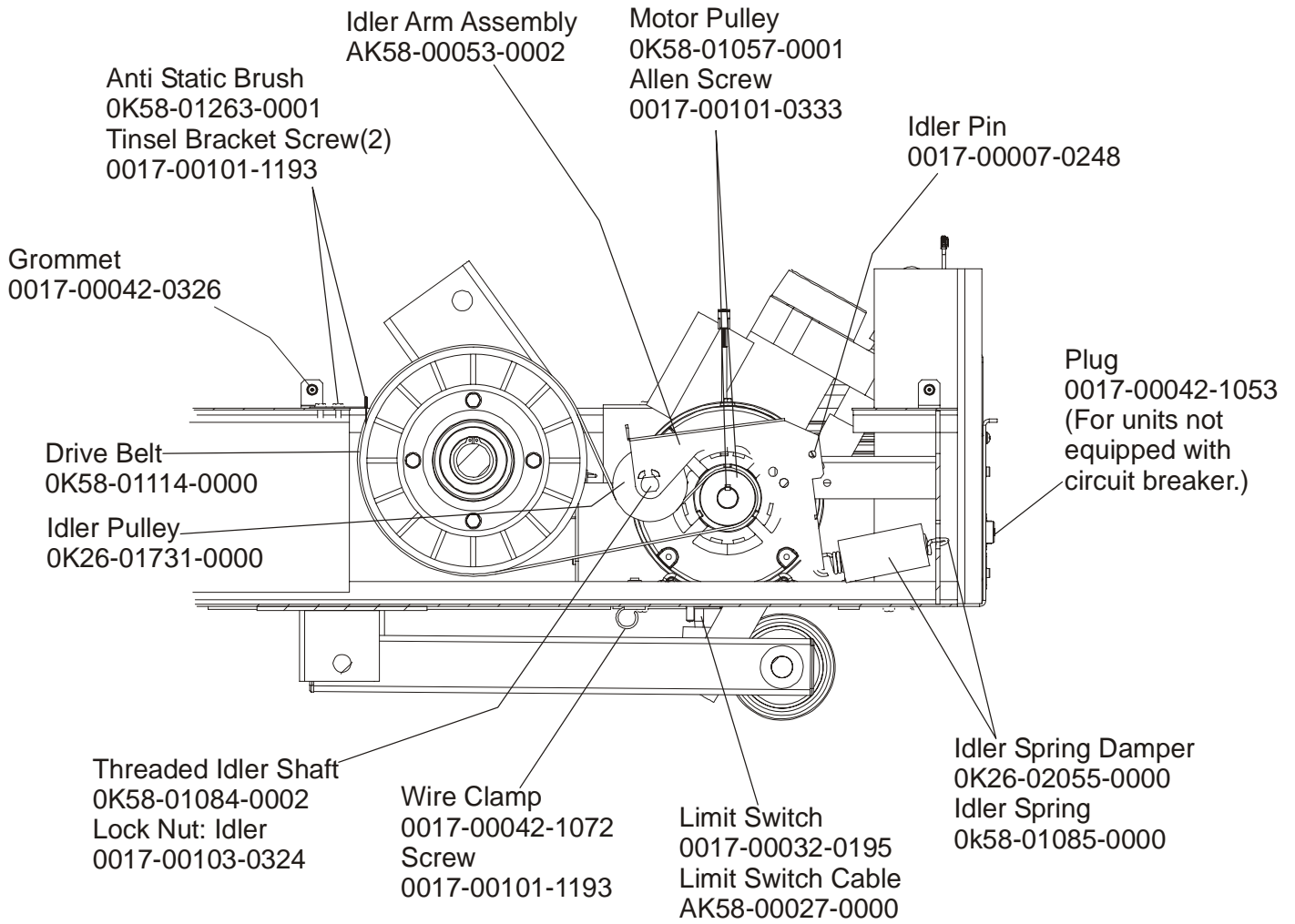
ARCTIC SILVER 93T DSP

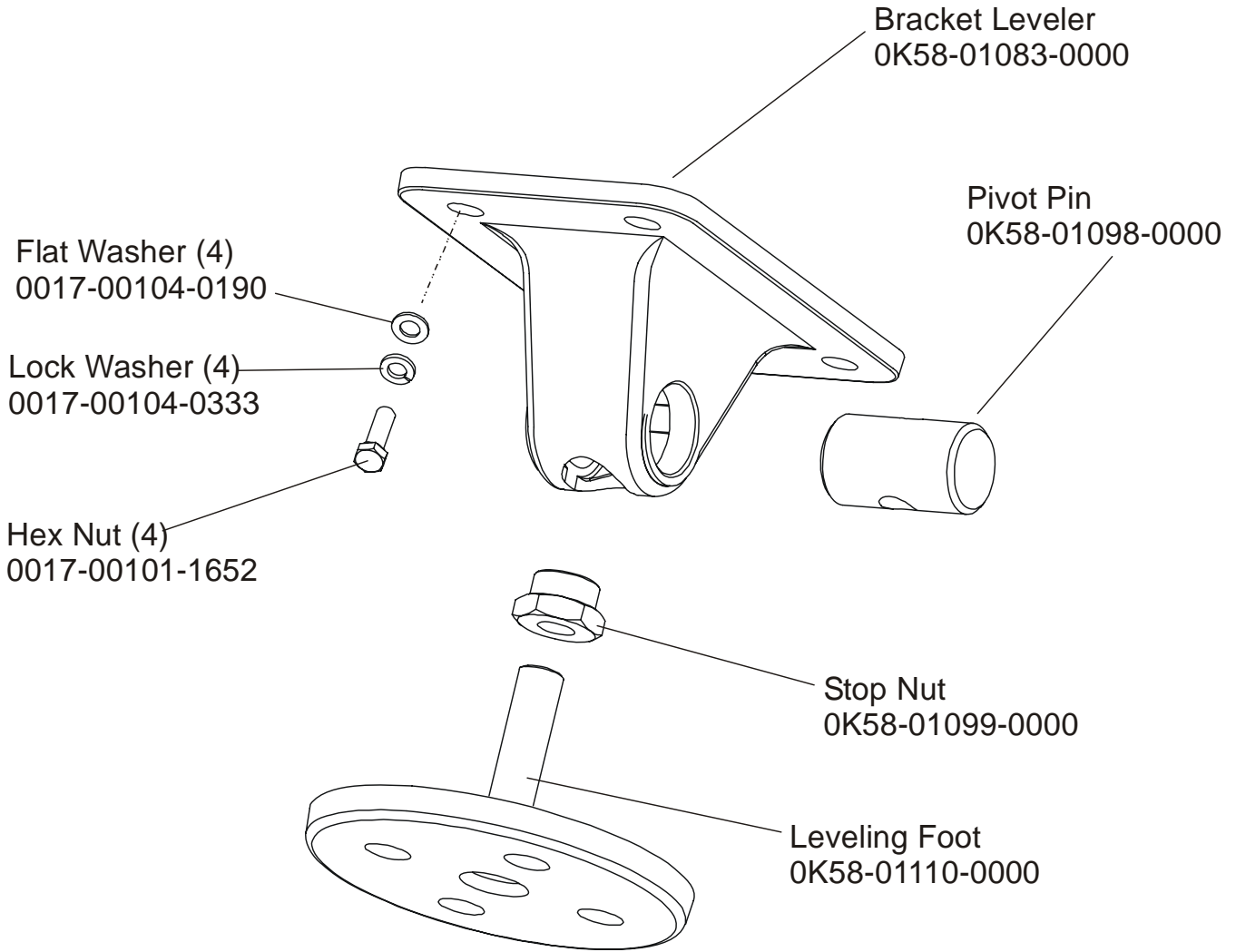
Lift Frame and Lift Motor

93T-XXXX-06

S/N TH100000 and up





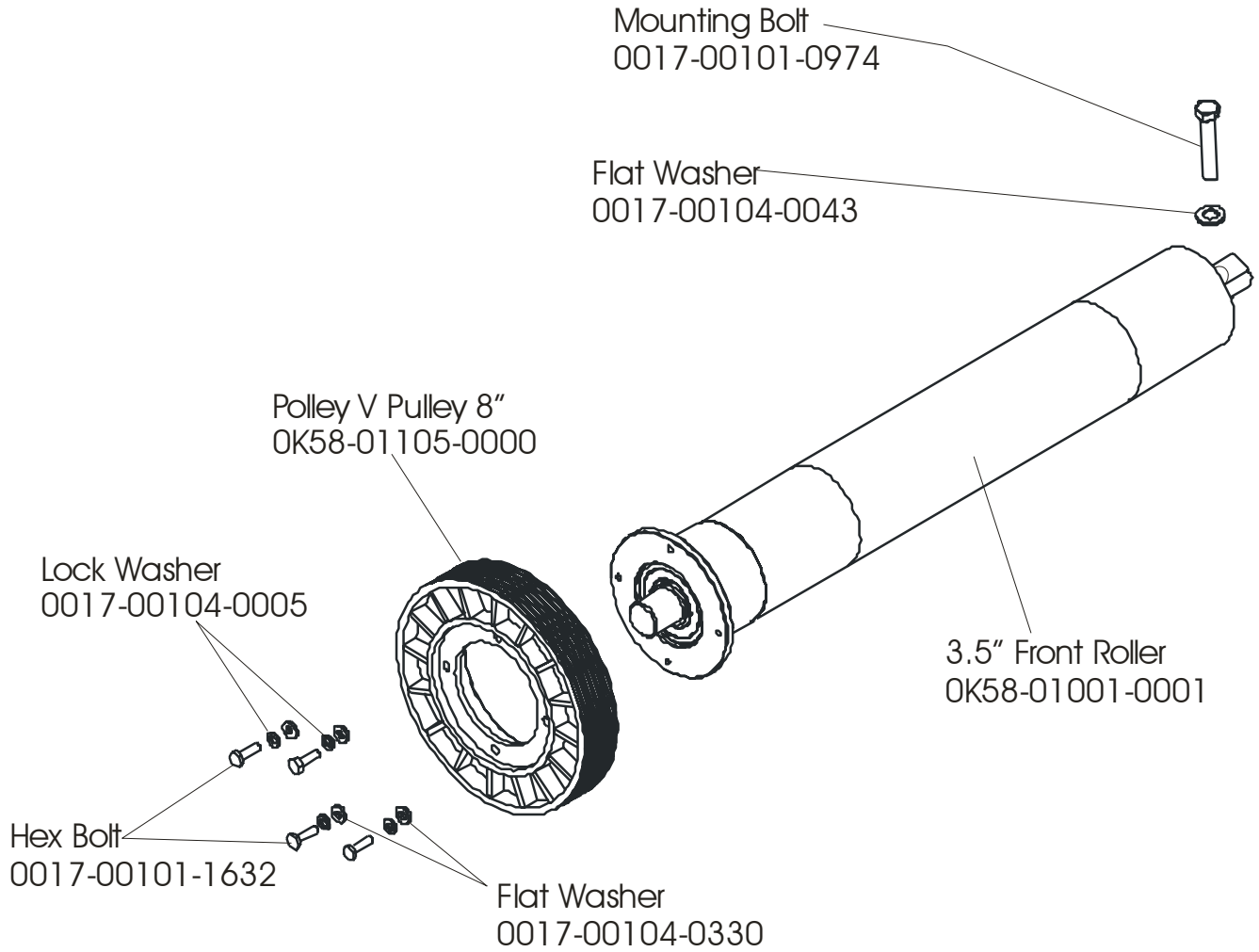


ARCTIC SILVER 93T DSP

Front Roller Assembly - AK58-00066-0000

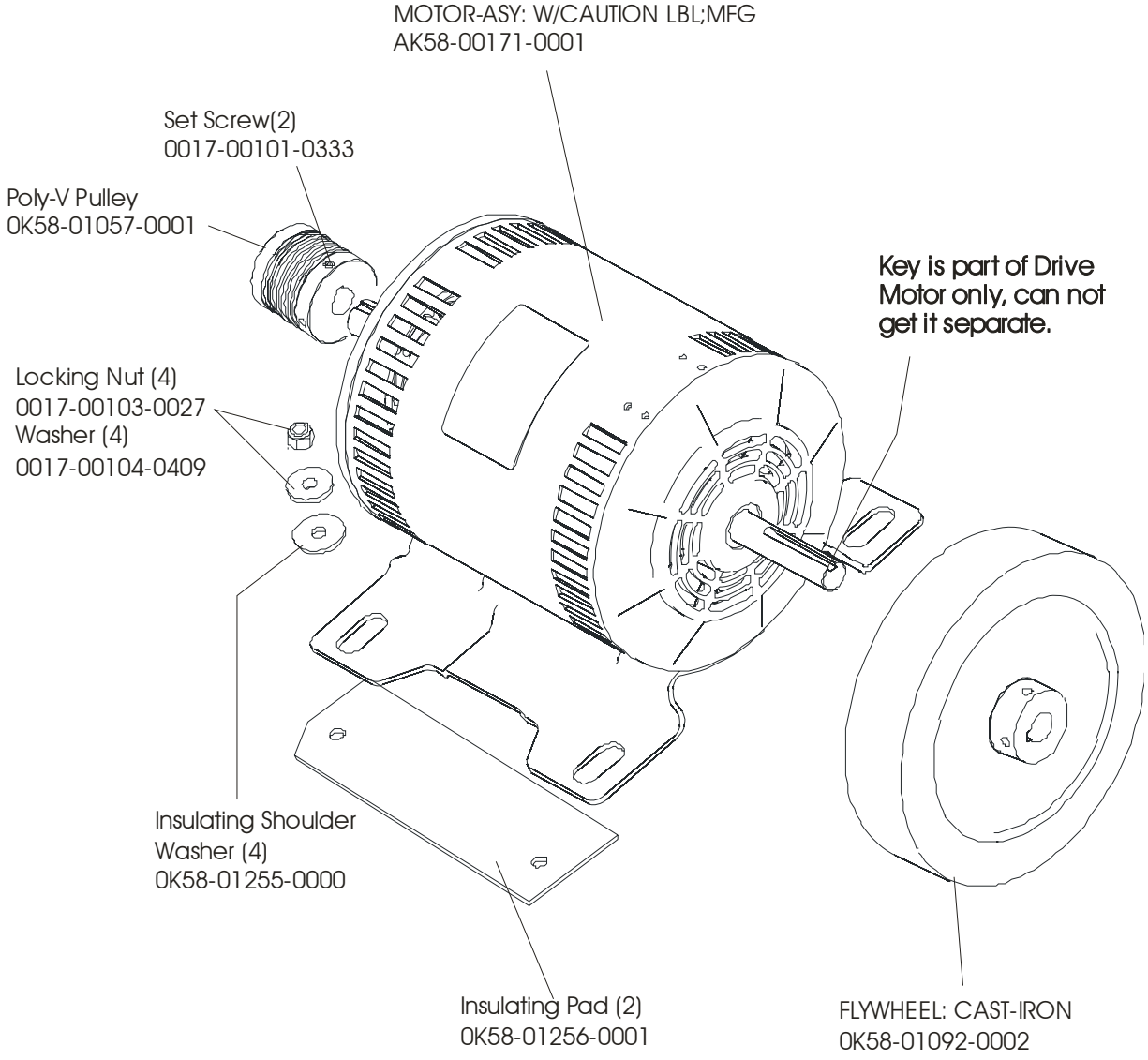
93T-XXXX-06

S/N TH100000 and up



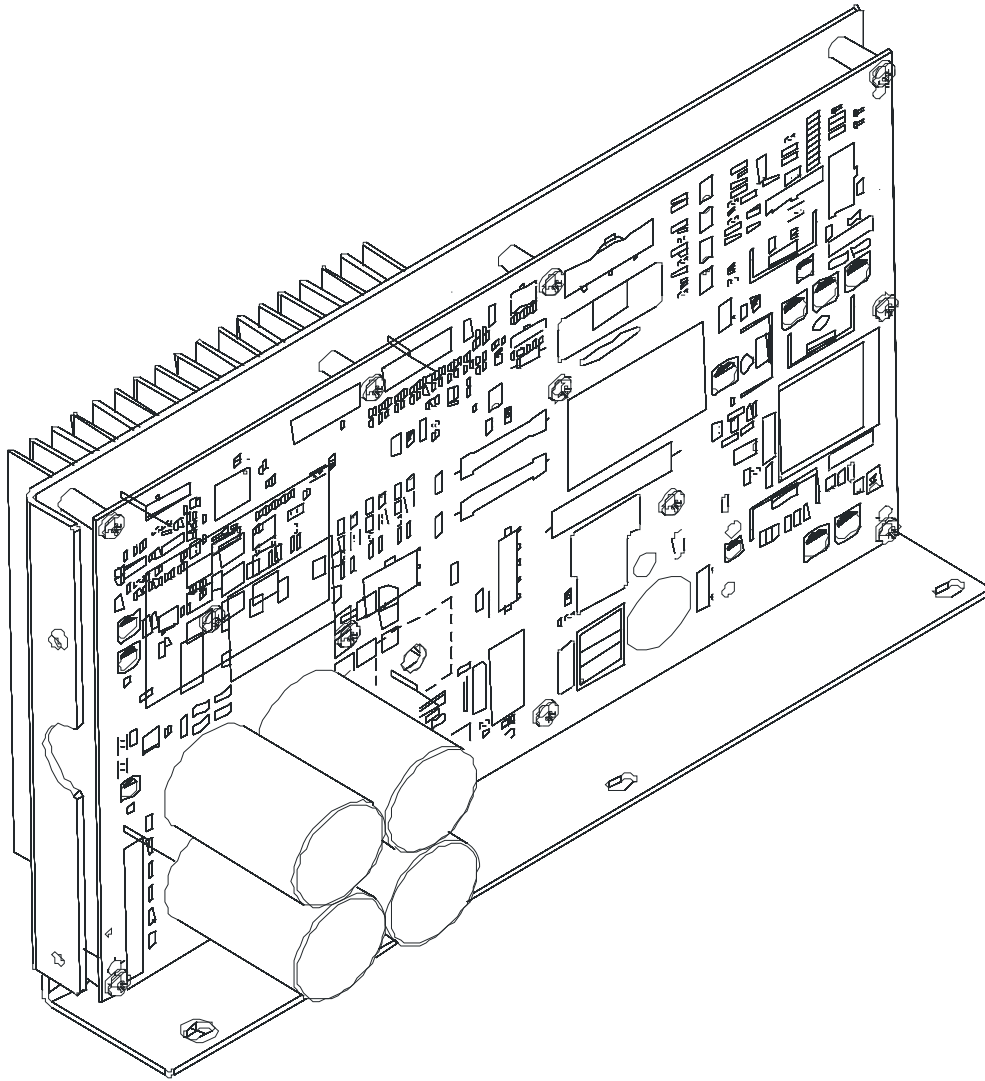
ARCTIC SILVER 93T DSP
Drive Motor Assembly

93T-XXXX-06
S/N TH100000 and up



ARCTIC SILVER 93T DSP
DSP Controller Assembly

93T-XXXX-06
S/N TH100000 and up



Voltage	PART No.	Description
100-120	GK58-00002-0118	KIT: SERV; MFG; DSP CONTROLLER 100-120; LED
200-240	GK58-00002-0120	KIT: SERV; MFG; DSP CONTROLLER 200-240; LED

ARCTIC SILVER 93T DSP

93T-XXXX-06

Line Cords

S/N TH100000 and up

MODEL #	MODEL DESCRIPTION	LINE CORD
93T-0100-06	93T ENG/ENG 120/60 DOM	0017-00003-0974
93T-0101-06	93T ENG+MET 230/50 CON	0017-00003-0696
93T-0102-06	93T ENG+MET 240/50 UK	0017-00003-0890
93T-0103-06	93T ENG+MET 220/60 DOM	0017-00003-0781
93T-0104-06	93T ENG+MET 240V+ AUS	0017-00003-0996
93T-0201-06	93T GER/MET 230/50 CON	0017-00003-0696
93T-0301-06	93T FRN/MET 230/50 CON	0017-00003-0696
93T-0401-06	93T SPN/MET 230/50 CON	0017-00003-0696
93T-0501-06	93T ITL/MET 230/50 CON	0017-00003-0696
93T-0601-06	93T DUT/MET 230/50 CON	0017-00003-0696
93T-0705-06	93T JAP/MET 100/50 DOM	0017-00003-0781
93T-0706-06	93T JAP/MET 200/50 DOM	0017-00003-0781
93T-0801-06	93T POR/MET 230/50 CON	0017-00003-0696

UNLABELED PARTS	
DESCRIPTION	PART NO.
FILTER: LINE; 20A 3-SHTS C	0017-00003-1015
CONN FTYPE ADP H02A RD GP N B	0017-00021-2810
GUARD: ROLLER; RT; 3.5 S/C-D	OK58-01390-0001
GUARD: ROLLER; LT; 3.5 S/C-D	OK58-01390-0002
CBL-ASSY: COAX; 120" S/C-C	AK32-00020-0002
CBL-ASSY: PWR EXT; 120" S/C-B	AK32-00078-0001
CBL-ASSY: CONSOLE; PWR; UPR C	AK58-00034-0001
CBL-ASSY: EMERGENCY-STOP C	AK58-00036-0000
CBL-ASSY: H/R SENSORS	AK58-00041-0001
CBL-ASSY: JUMPER; BLK; 4" B	AK58-00081-0000
CBL-ASSY: JUMPER; WHT; 6" B	AK58-00082-0000
CBL-ASSY: JUMPER; GR/YL; 5" B	AK58-00083-0000
CBL-ASSY: MOV; FILTER	AK58-00224-0001
HDWR-BAG ASSY: MFG; 93T BM	AK58-00227-0000
CBL-ASSY: HI-POT JUMPER B	AK58-00263-0000
SIGN: FACILITY SAFETY; ENG B	M051-00K20-A409
RECEPTABLE-ASSY: MFG; RECESS B	+AK58-00514-0000
HARNESS-ASSY: MFG;120/60 20A E	+AK58-00546-0001



