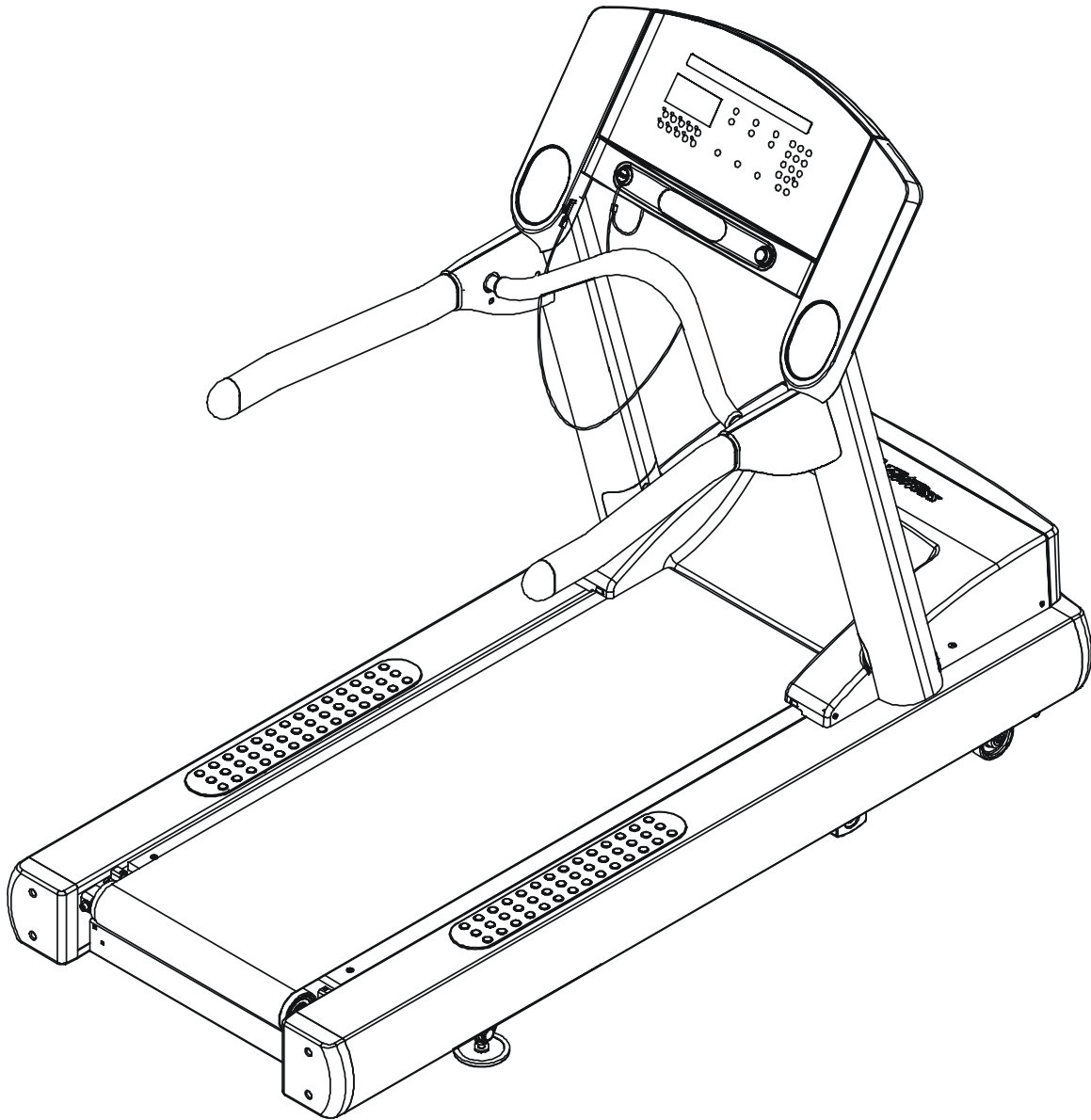


LifeFitness

Arctic Silver 93TW Treadmill



Customer Support Services
PARTS MANUAL rev 03 Jul 2008

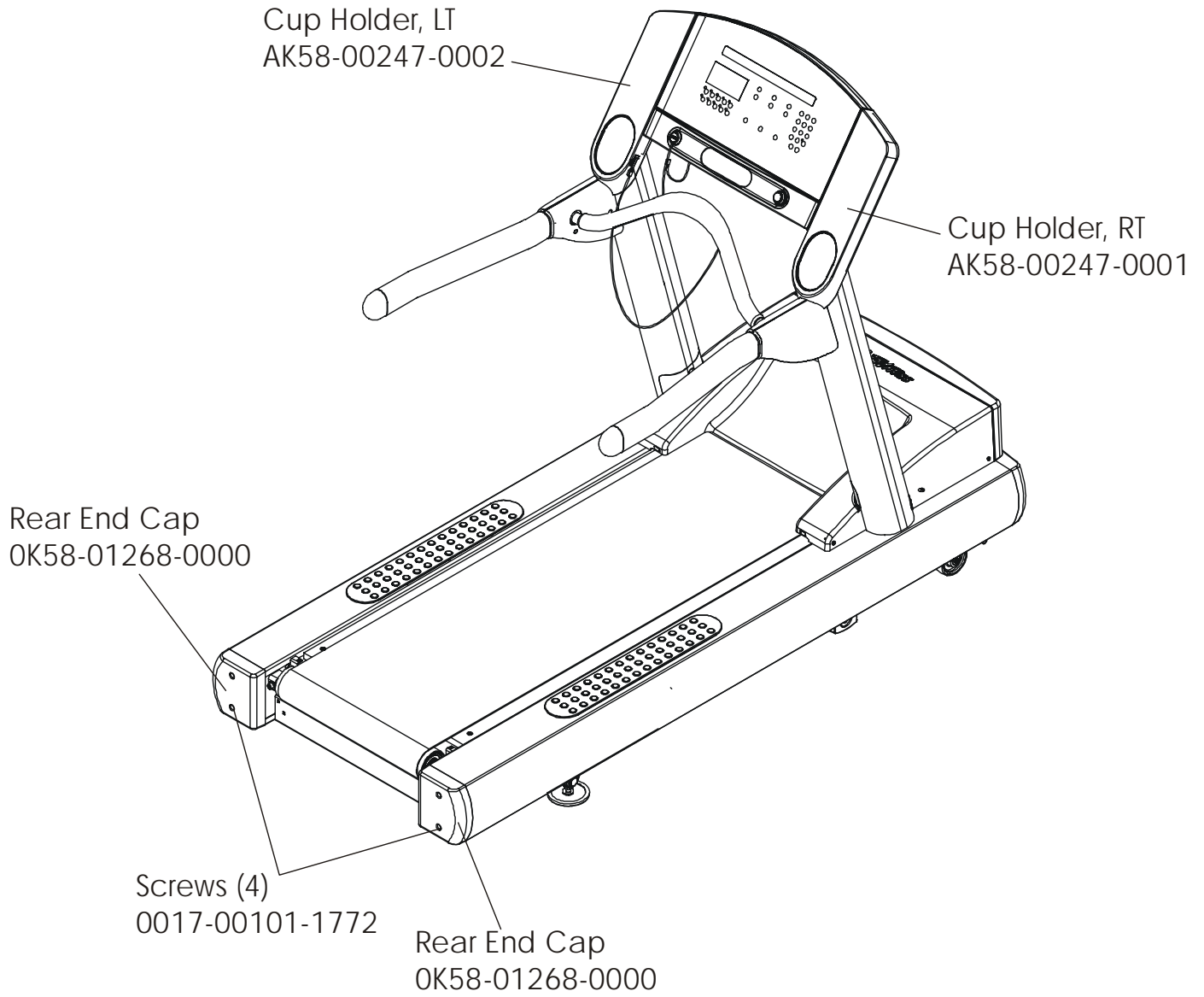
OPERATION MANUAL	M051-00K58-A173
SERVICE MANUAL	M051-00K58-A159
HARDWARE BAG	AK58-00227-0000
ACCESS-PLATE ASSY. ASSEMBLY INCLUDES: 1) CONNECTOR PLATE 2) F TYPE CONNECTOR	AK58-00329-0000 0K58-01392-0000 0017-00021-2846
TOUCH UP PAINT: SPRAY CAN .5 OZ BOTTLE W/APPLICATOR .33 OZ PEN	 0017-00008-0204 0017-00008-0205 0017-00008-0206
INSTALLATION VIDEO	M051-00K58-A098
SERVICE VIDEO	M051-00K58-A099

**NOTE: ADDING THE BOLT-ON LCD SCREEN TO THE
93TW-XXXX-03 MAKES THE UNIT A 93TER-XXXX-03.**

	Page
REAR ENDCAPS AND CUP HOLDERS	4
SCUFF PAD, TINSEL AND FRAME TAG BOARD	5
CONSOLE AND RELATED COMPONENTS.....	6
UPRIGHTS, HAND RAILS AND ERGO BAR	7
MOTOR COVER, FRONT COVER AND ENDCAPS	8
BELT, DECK AND REAR ROLLER.....	9
LIFT FRAME AND MOTOR	10
WAX/LIFT ASSEMBLY	11
MOTOR CONTROLLER ASSEMBLY.....	12
DRIVE MOTOR ASSEMBLY	13
IDLER ARM ASSEMBLY AND STATIC BRUSH.....	14
LEG LEVELER ASSEMBLY	15
FRONT ROLLER ASSEMBLY	16
POWER COMPONENTS SCHEMATIC	17
CABLES	18

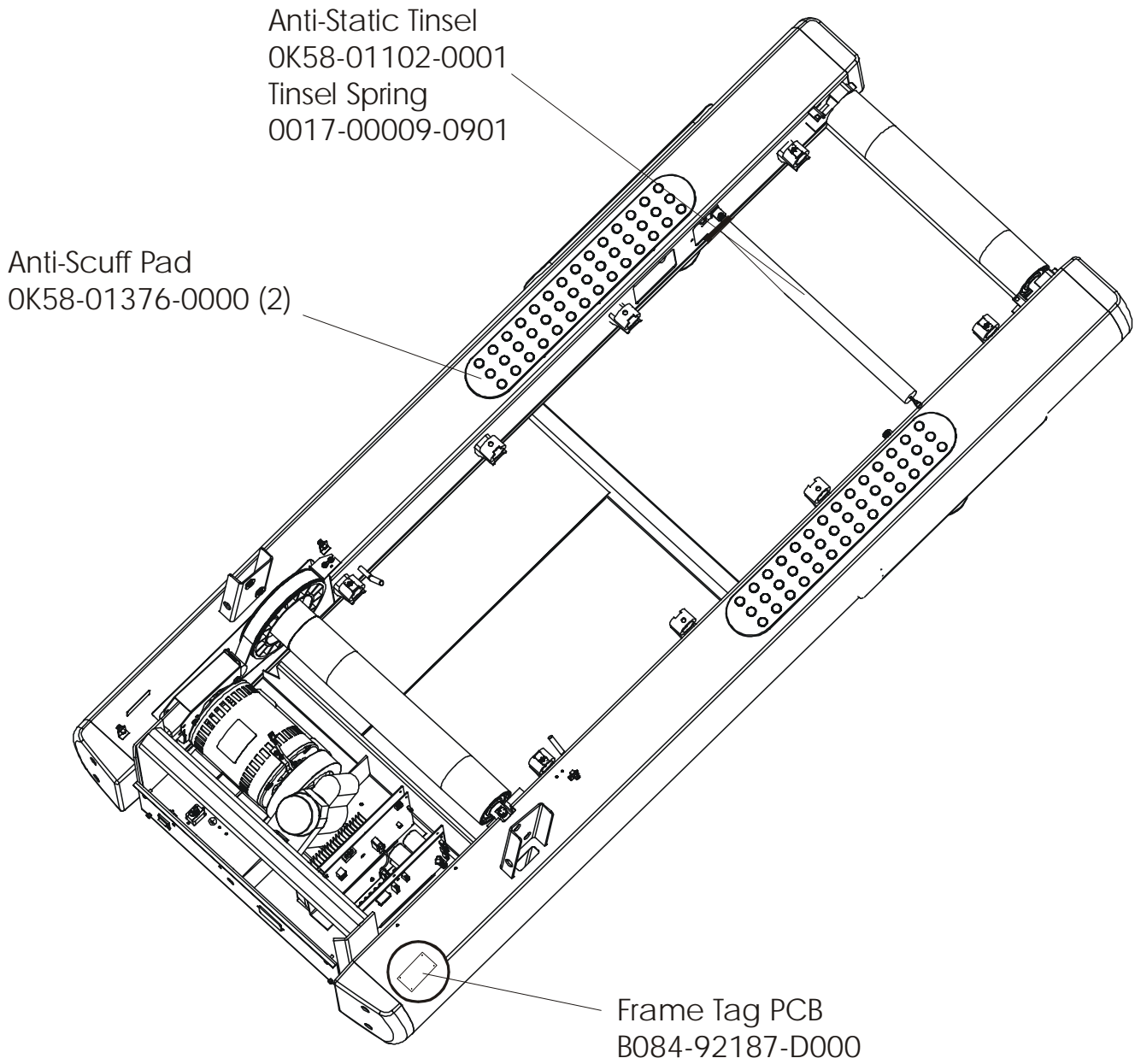
ARCTIC SILVER 93TW
Rear End Caps and Cup Holders

93TW-0XXX-03
S/N AWJ100000 and up



ARCTIC SILVER 93TW
Scuff Pad, Tinsel and Frame Tag Bd.

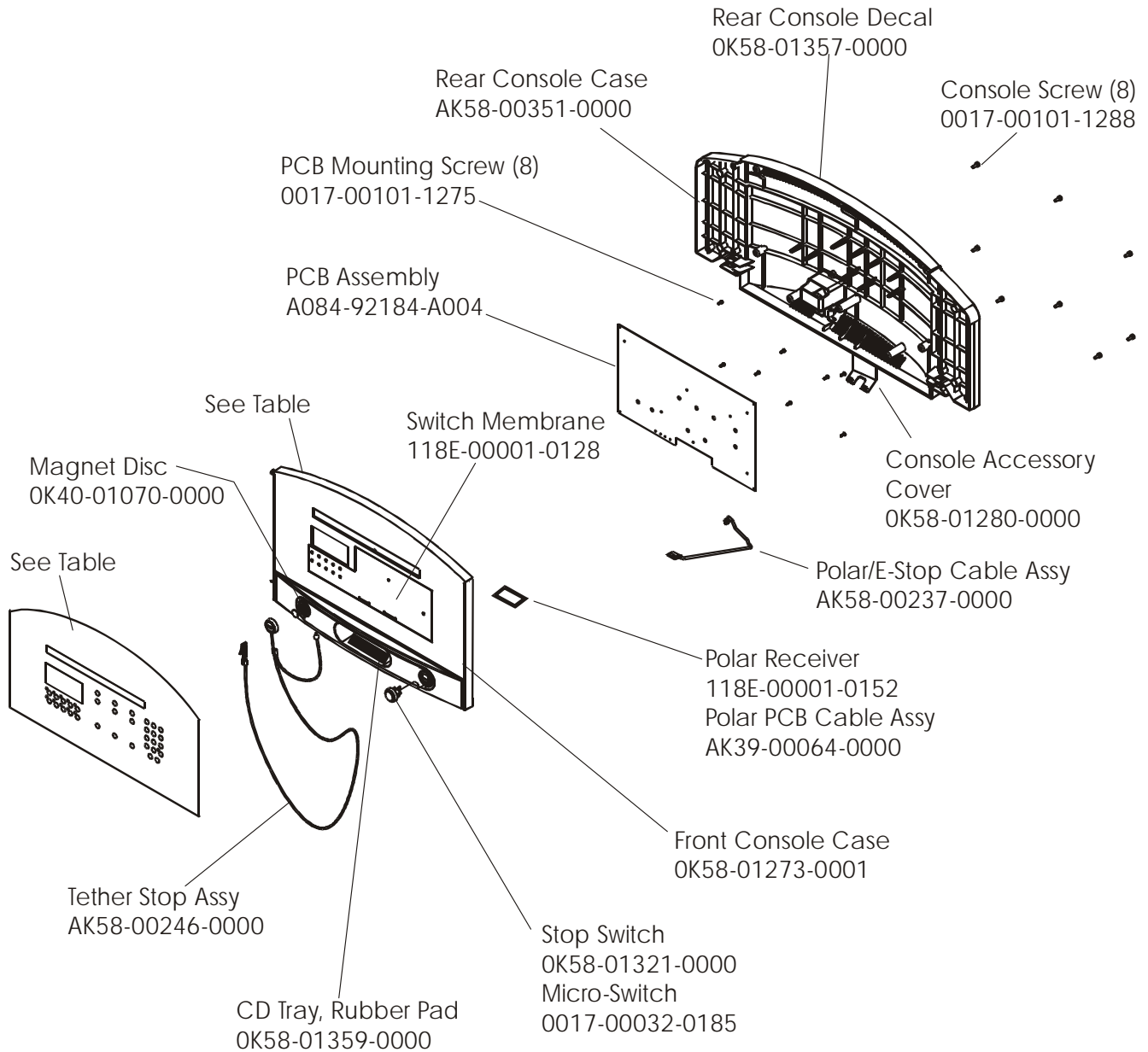
93TW-0XXX-03
S/N AWJ100000 and up



ARCTIC SILVER 93TW

Console and Related Components

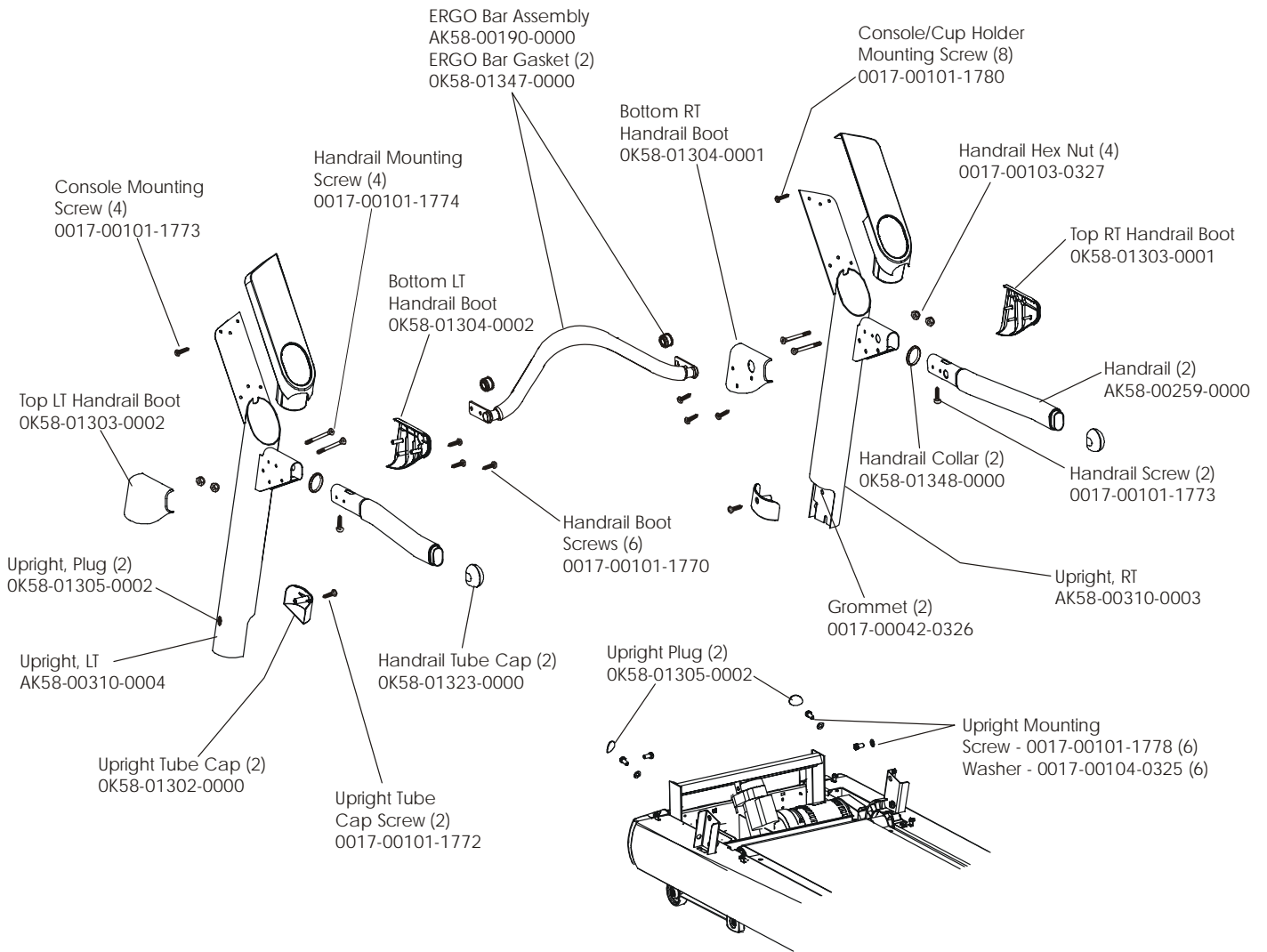
93TW-0XXX-03
S/N AWJ100000 and up



Console Assembly	Overlay/Bezel/Switch Assy.	Overlay	Language
AK58-00439-0001	AK58-00204-0001	OK58-01300-0001	Eng/Met
AK58-00439-0002	AK58-00204-0001	OK58-01300-0001	Eng/Eur
AK58-00439-0003	AK58-00204-0003	OK58-01300-0003	German
AK58-00439-0004	AK58-00204-0004	OK58-01300-0004	Spanish
AK58-00439-0006	AK58-00204-0006	OK58-01300-0006	Japanese
AK58-00439-0007	AK58-00204-0007	OK58-01300-0007	French
AK58-00439-0008	AK58-00204-0008	OK58-01300-0008	Italian
AK58-00439-0009	AK58-00204-0009	OK58-01300-0009	Dutch

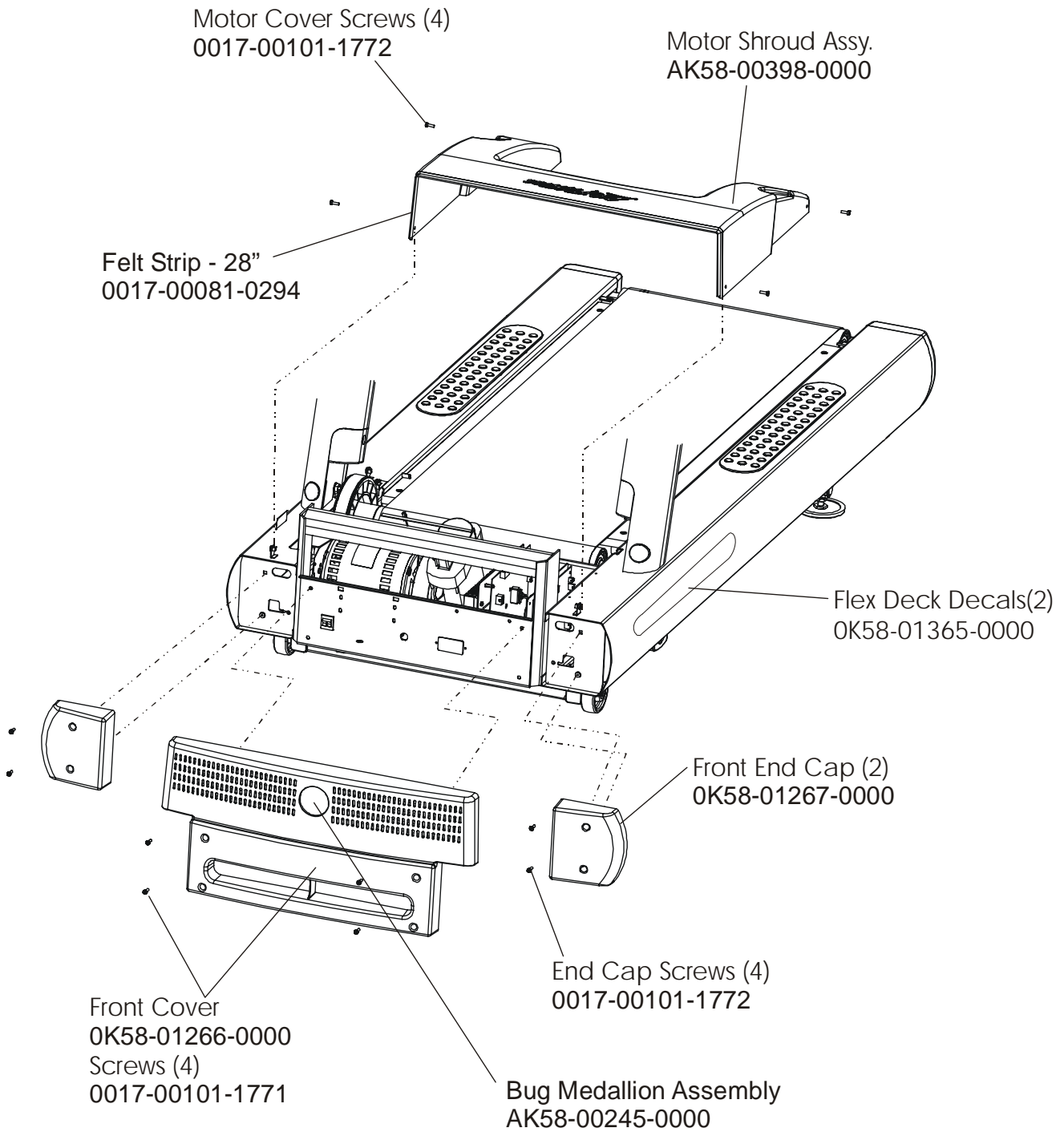
ARCTIC SILVER 93TW
Uprights, Handrails and Ergo Bar

93TW-0XXX-03
S/N AWJ100000 and up



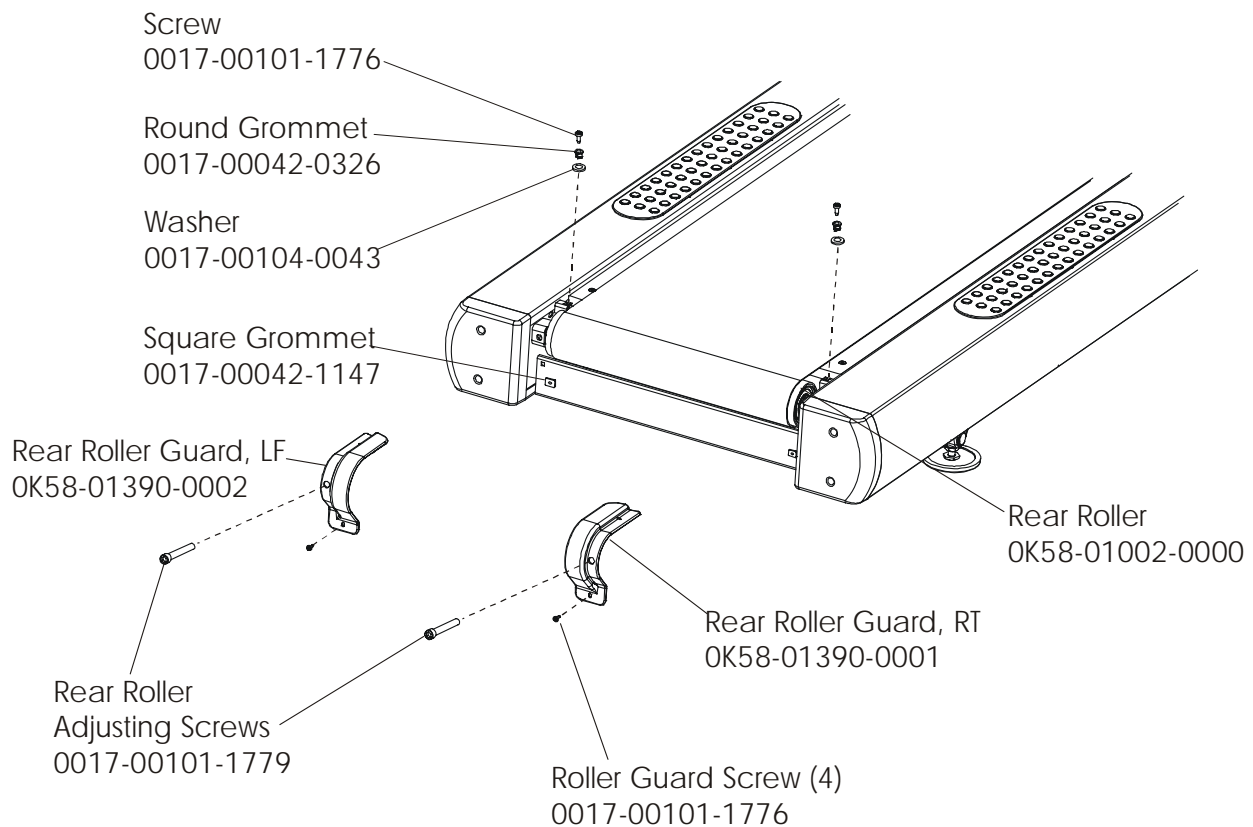
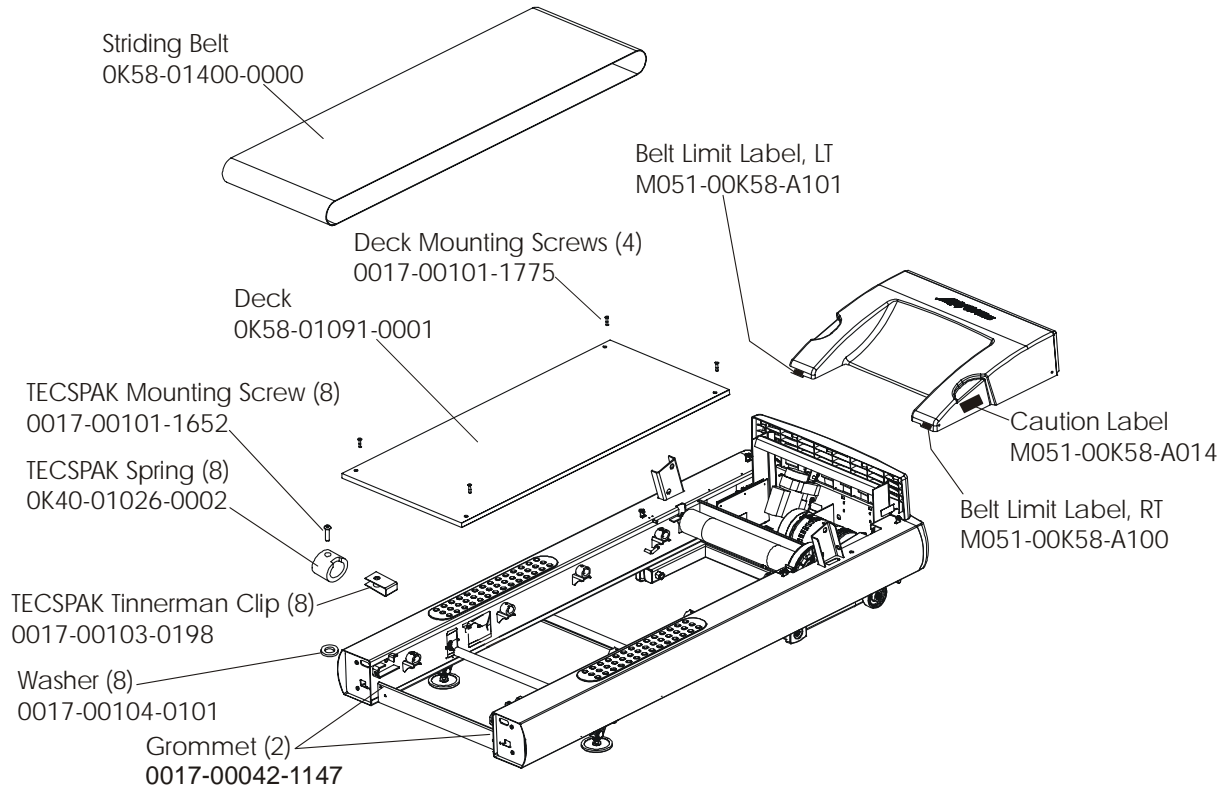
ARCTIC SILVER 93TW
Motor Cover, Front Cover and Front
End Caps

93TW-0XXX-03
S/N AWJ100000 and up



ARCTIC SILVER 93TW
Belt, Deck and Rear Roller

93TW-0XXX-03
S/N AWJ100000 and up

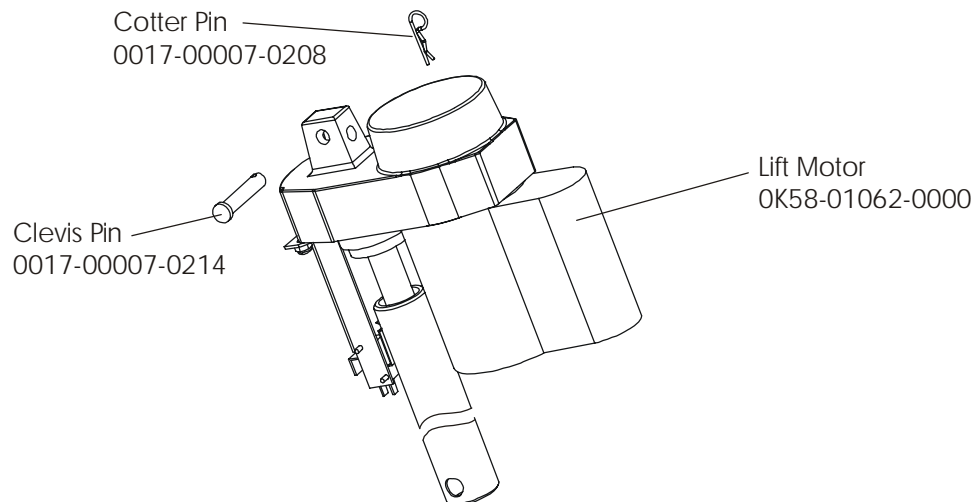
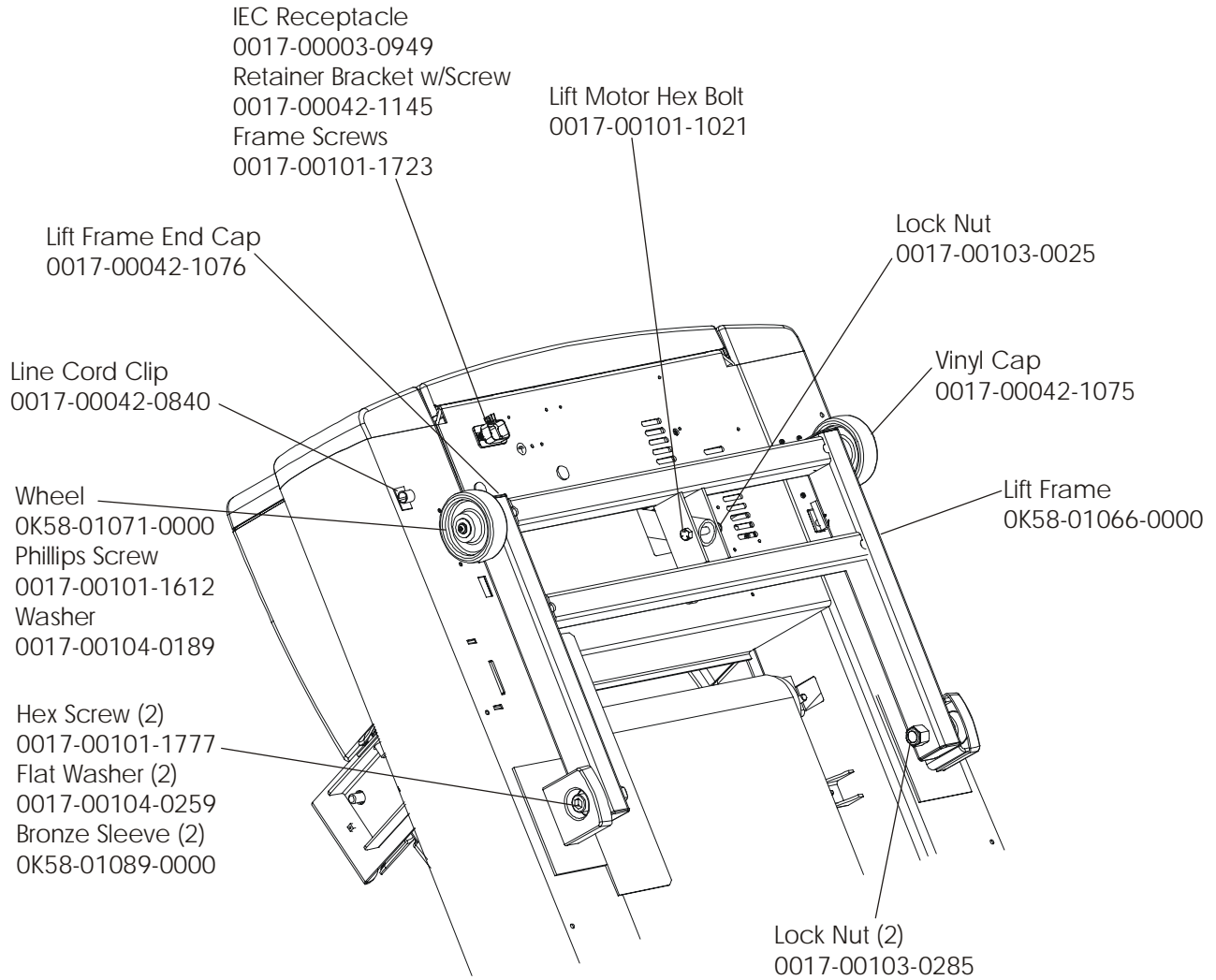


ARCTIC SILVER 93TW

Lift Frame and Lift Motor

93TW-0XXX-03

S/N AWJ100000 and up

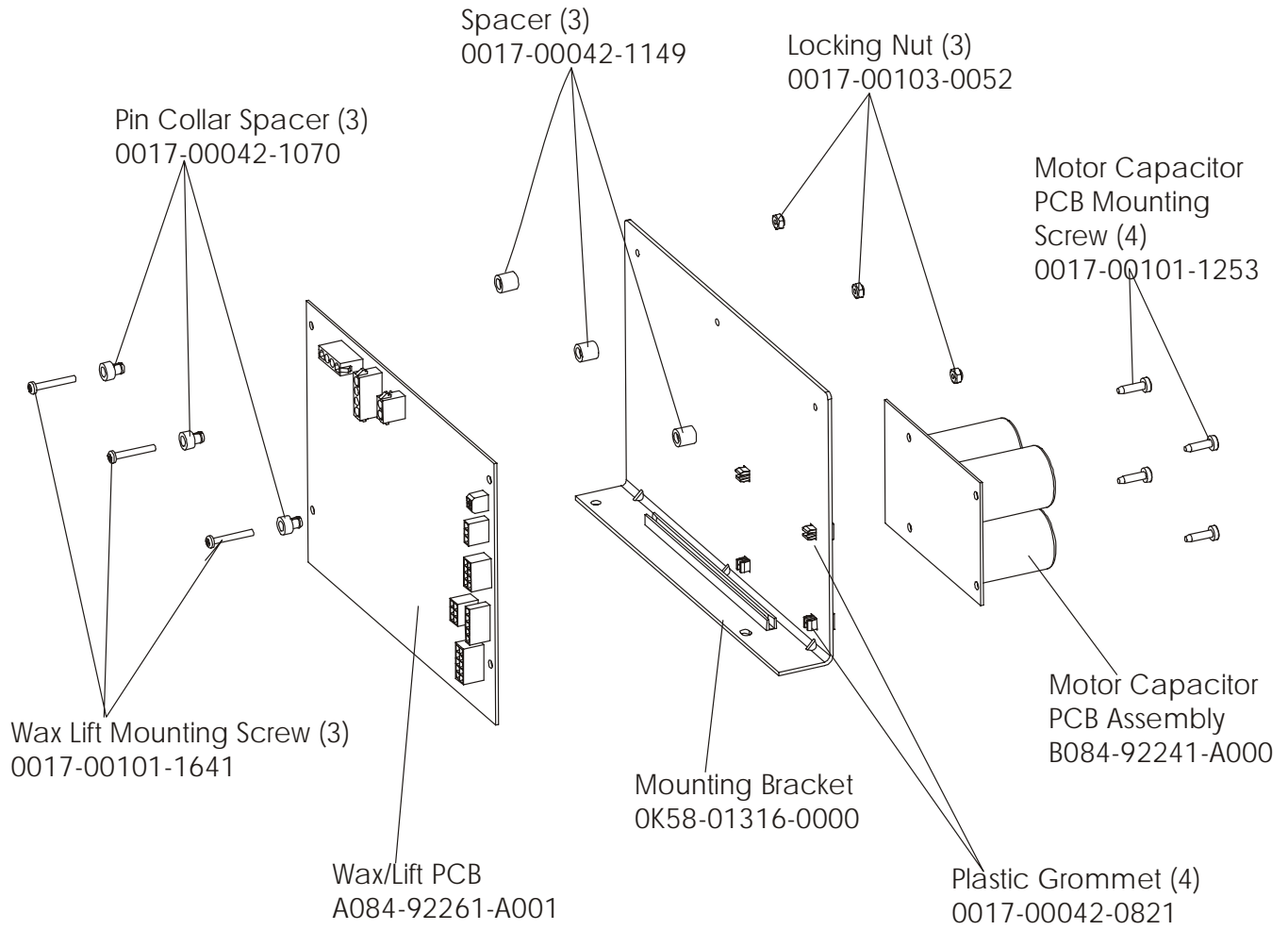


ARCTIC SILVER 93TW

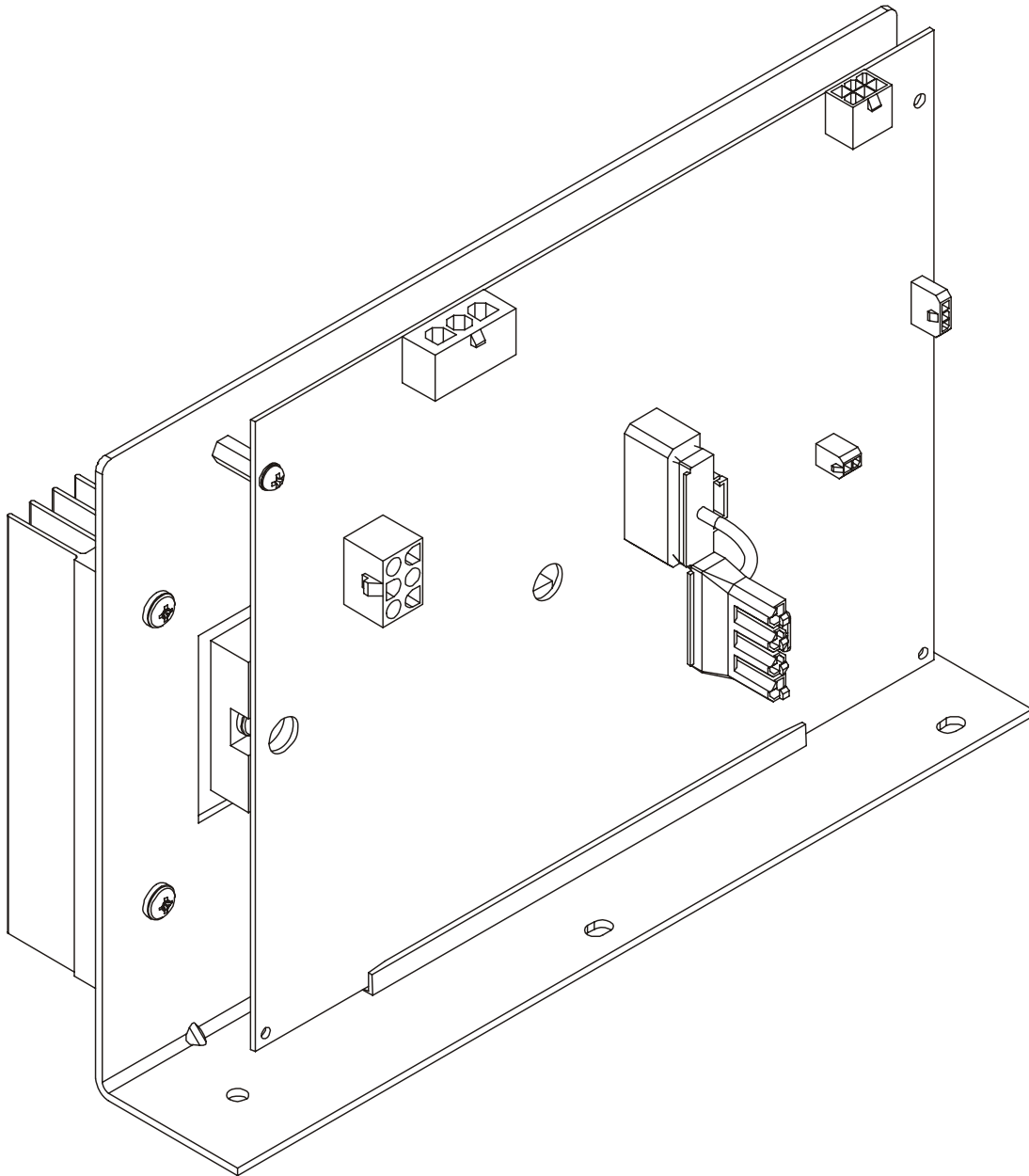
Wax/Lift Assembly-AK58-00243-0000

93TW-0XXX-03

S/N AWJ100000 and up

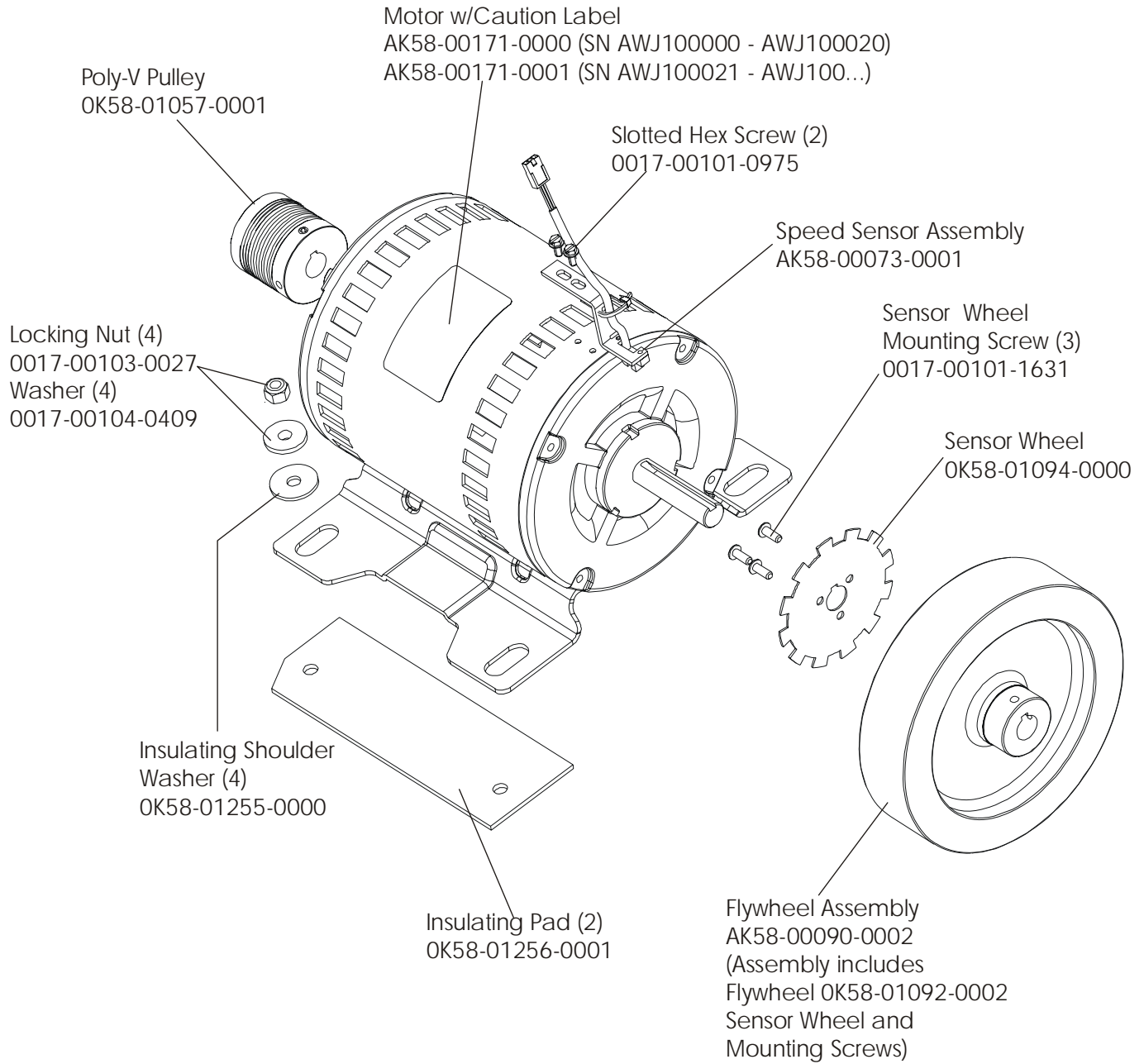


- AK60-00171-0000 (100-120v) W/O FERRITE**
- AK60-00171-0001 (200-240v) W/O FERRITE**
- AK60-00171-0002 (100-120v) WITH FERRITE**
- AK60-00171-0003 (200-240v) WITH FERRITE**



ARCTIC SILVER 93TW
Drive Motor Assembly

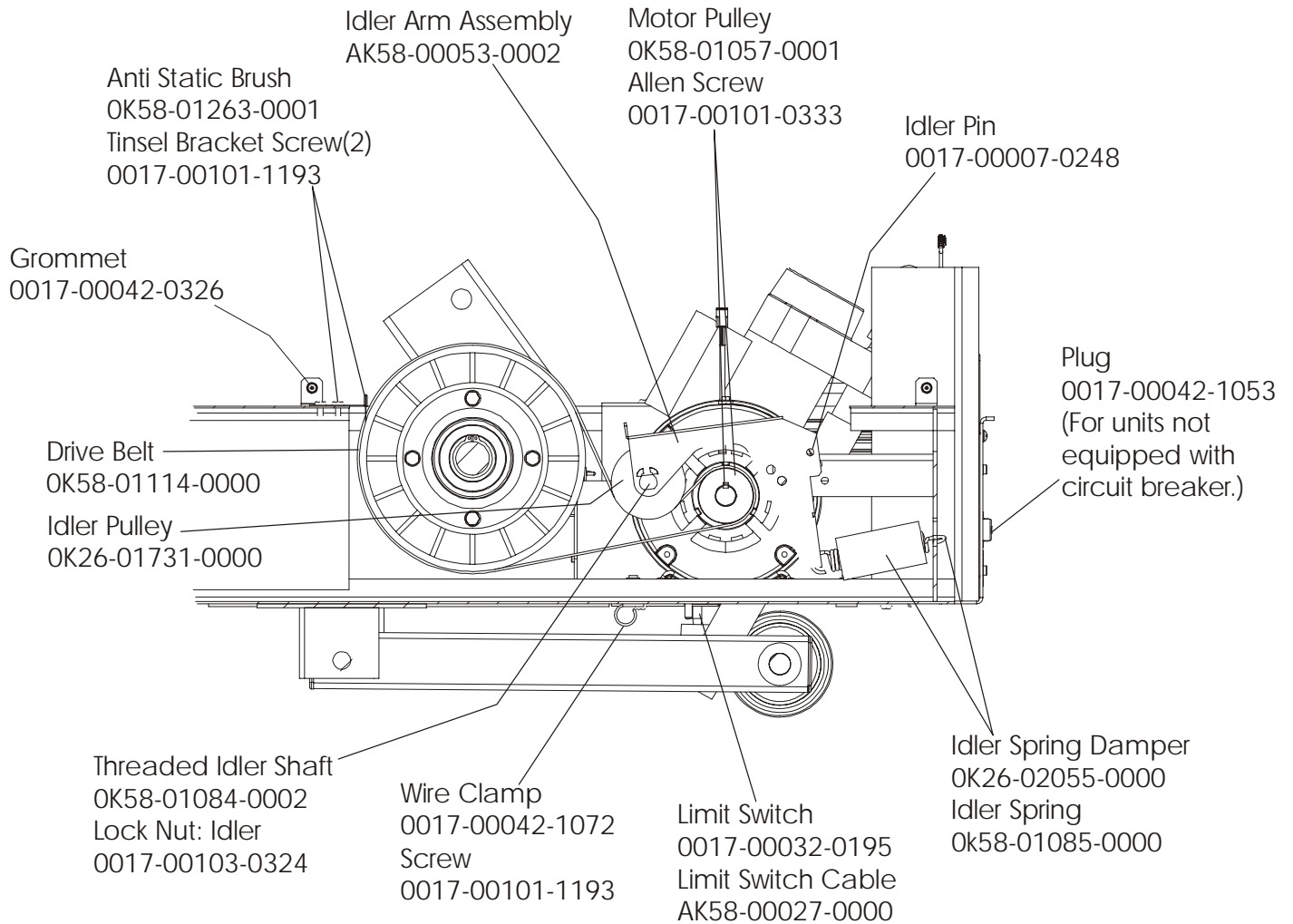
93TW-0XXX-03
S/N AWJ100000 and up



Drive Motor Assembly Number	Motor Serial Number
AK58-00172-0000	AWJ100000 – AWJ100020
AK58-00172-0002	AWJ100021 and up

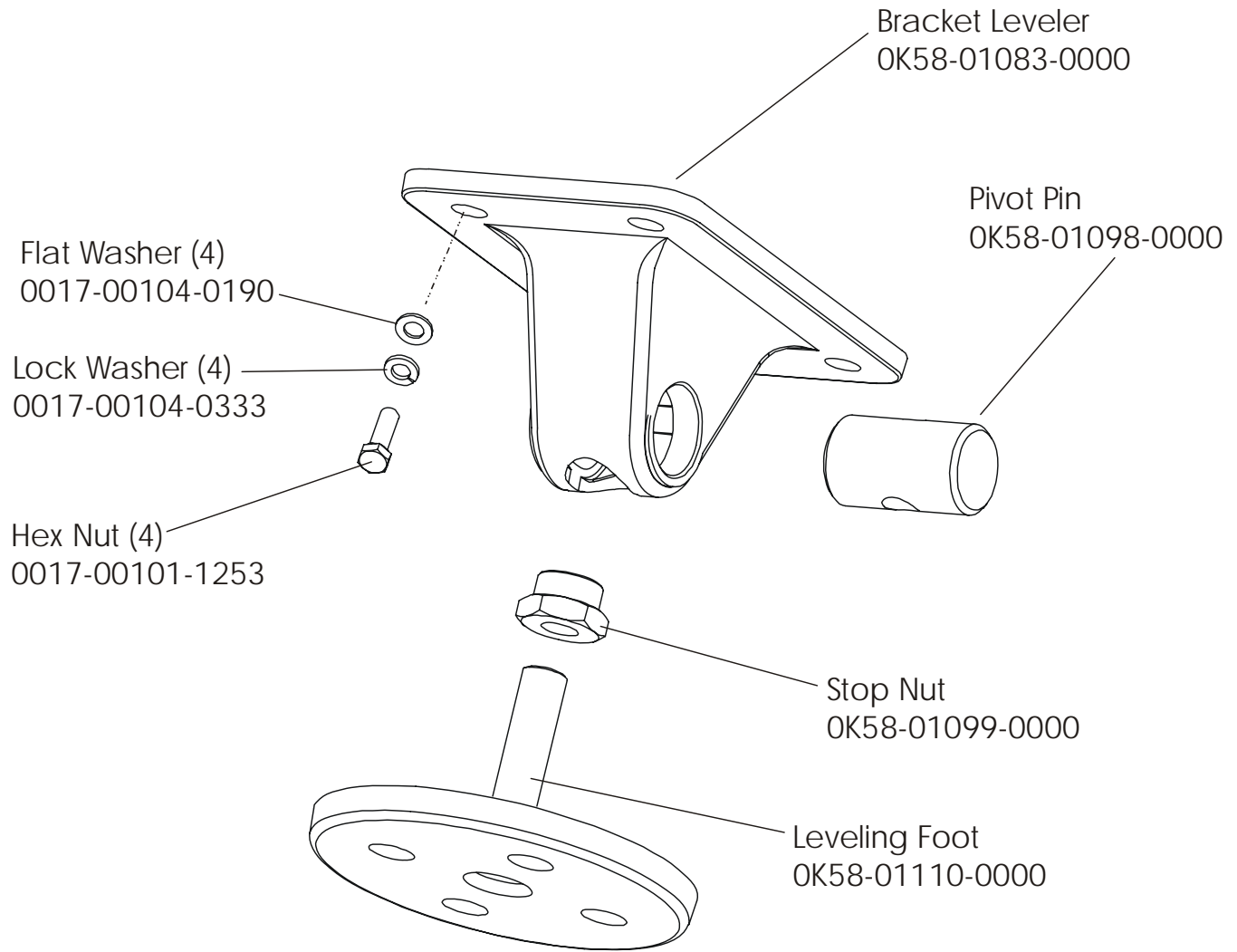
ARCTIC SILVER 93TW
Idler Arm Assembly and Static Brush

93TW-0XXX-03
S/N AWJ100000 and up



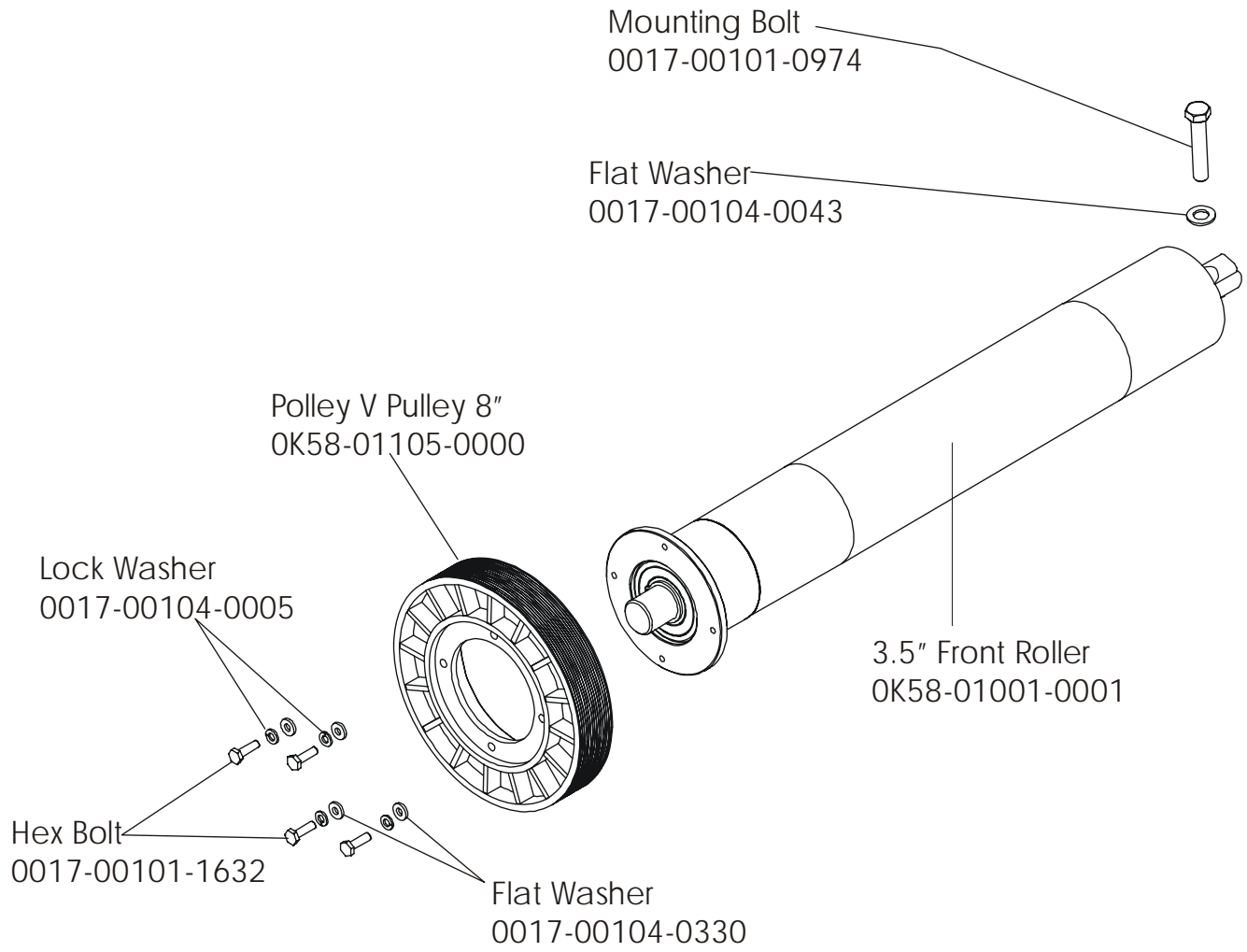
ARCTIC SILVER 93TW
Leveler Assembly – AK58-00370-0000

93TW-0XXX-03
S/N AWJ100000 and up



ARCTIC SILVER 93TW
Front Roller Assy.-AK58-00066-0000

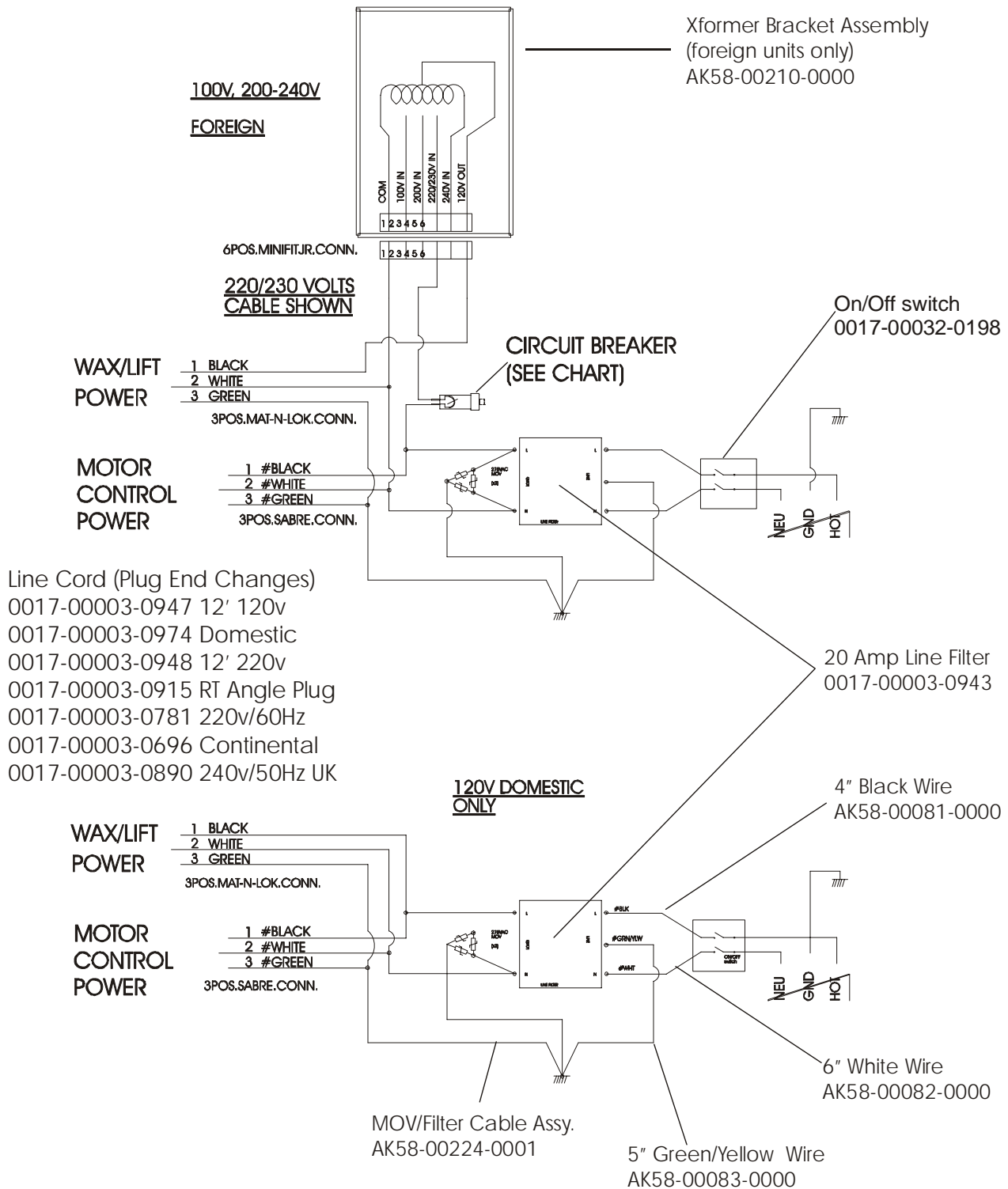
93TW-0XXX-03
S/N AWJ100000 and up



ARCTIC SILVER 93TW

Power Components Schematic

93TW-0XXX-03
S/N AWJ100000 and up



ARCTIC SILVER 93TW

Wax/Lift Power Supply

93TW-0XXX-03
S/N AWJ100000 and up

