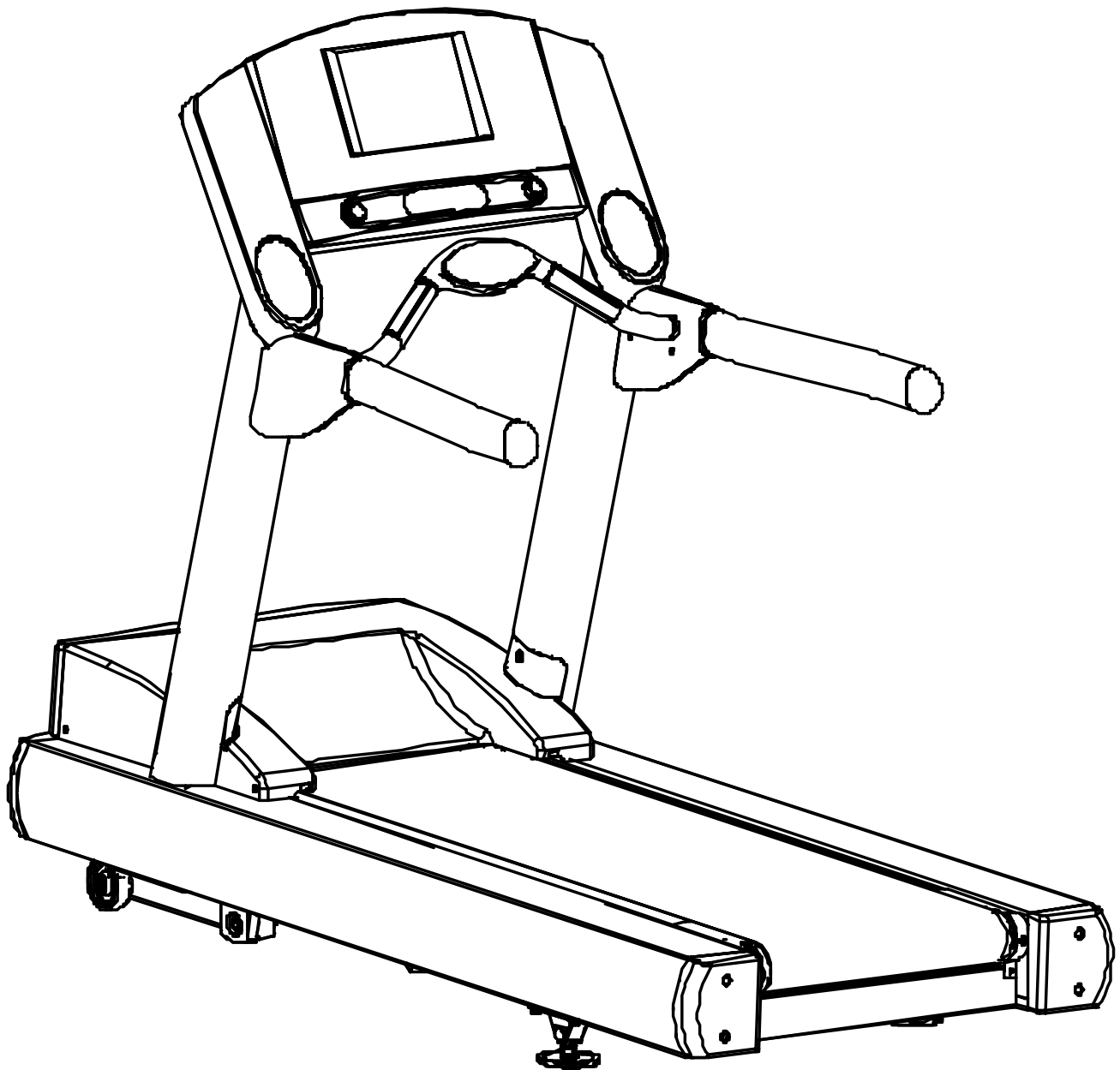


LifeFitness

TCE
ARCTIC SILVER 95TE TREADMILL
95TE-XXXX-05



Customer Support Services
PARTS MANUAL rev 01 June 2012

PLEASE NOTE: ALL OPERATION, INSTRUCTION ASSY & INSTRUCTION BAG ASSY MAY NOT AVAILABLE				
LANGUAGE	OPERATION MANUAL	INSTRUCTION ASSEMBLY	INSTRUCTION BAG ASSY.	SERVICE MANUAL
ENGLISH	M051-00K58-B185	M051-00K58-A189	AK58-00419-0000	M051-00K58-A254

AK58-00226-0000	HDWR-BAG ASSY: MFG;95T/97T	
Item	Description	Qty
0K58-01305-0002	PLUG: UPRIGHT S/C-C	2
0K58-01347-0000	GASKET: ERGOBAR C	2
0017-00009-1049	WRENCH: TORX; T27 B	1
0017-00042-0326	GROMMET: PLASTI; .130/.005 S/C#13-B	2
0017-00042-0840	CLIP: WIRE; PUSH-MTG; 3/4"; S/C#80-B	5
0017-00101-1770	8-15X 8 PHL PAN A SS NO B	6
0017-00101-1772	10-16X 8 PHL PAN B ST ZS B	6
0017-00101-1773	1/4 -20X 8 TRX BUT CS SS NO B	6
0017-00101-1774	5/16-18X40 TRX FLT CS ST ZS B	4
0017-00101-1778	1/2 -13X16 UNS HEX CS G5 ZB B	4
0017-00101-1780	8- X20 PHL TRS AB SS NO B	8
0017-00104-0325	WSH 516-.873-125 SL-D ST ZN B	4
0017-00103-0327	NUT 5/16-18 HEX; JAM D ST ZS B	4

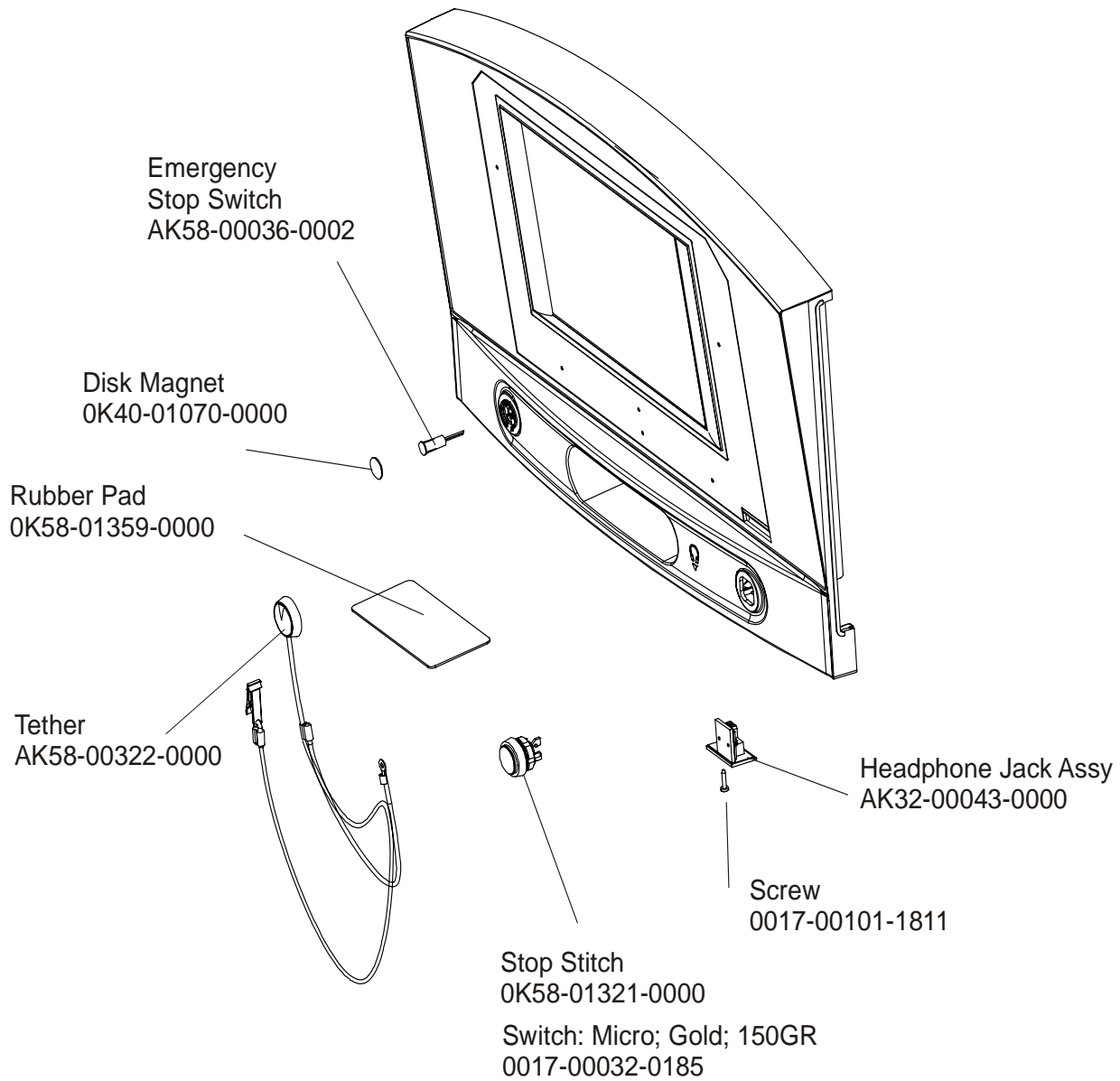
GK58-00002-0095 KIT: SERV; ROLLER-GUARDS; 93/95Ti BM		
" Parts that are included in this kit is as follows "		
Part Number	Description	Qty
AK58-00360-0001	GUARD-ASSY: MFG; RT; 3.50 B	1
AK58-00360-0002	GUARD-ASSY: MFG; LT; 3.50 B	1
M051-00K58-B128	INSTR: SERV; ROLLER-GUARDS +	1
0017-00042-0326	GROMMET: PLASTI; .130/.005 S/C#13-B	2
0017-00042-1147	GROMMET: NYLON; SCREW B	2
0017-00101-1776	10-16X 8 PHL PAN B ST ZB B	4

GK58-00002-0071 KIT: SERV; ANTI-SLIP RAIL BM		
Part Number	Description	Qty
Only available in the kit	INSTR:TEMPLT; ANTI-SLIP RAIL B	4
Only available in the kit	INSTR: KIT; ANTI-SLIP RAIL +	1
0K58-01376-0000	RAIL: ANTI-SLIP;STEALTH-GREY E	2
Only available in the kit	PAD: WIPE; ALCOHOL/DRY B	1

TOUCH UP PAINT:	
0017-00008-0204	PAINTE: CAN; SPRAY; ARCTIC SILVER
0017-00008-0205	PAINTE: BOTTLE; ARCTIC SILVER (.5 OZ)
0017-00008-0206	PAINTE: PEN; ARCTIC SILVER (.33 OZ)

INK TRANSFER TOUCH-UP PAINT: SB No. GN05032101N	
0017-00008-0210	PAINTE: TOUCH-UP; SHADOW-GRAY; .6 OZ BTL.
0017-00008-0211	PAINTE: TOUCH-UP; SHADOW-GRAY; .6 OZ. PEN

	Page
CONSOLE, OVERLAY ASSEMBLY & OVERLAY.....	5
CONSOLE COMPONENTS	6
CONSOLE COMPONENTS CONTINUED	7
UPRIGHTS & HANDRAILS	8
ERGO BAR, HEART RATE SENSORS & ACTIVITY ZONE	9
REAR ENDCAPS & CUP HOLDERS	10
MOTOR COVER, FRONT COVER & ENDCAPS.....	11
SCUFF PAD & TINSEL.....	12
ON-OFF SWITCH, ACCESS PLATE & GROMMETS.....	13
BELT, DECK & REAR ROLLER.....	14
LIFT FRAME, LIFT MOTOR & IEC RECEPTACLE.....	15
IDLER ARM ASSEMBLY	16
LEG LEVELER ASSEMBLY.....	17
FRONT ROLLER ASSEMBLY.....	18
DRIVE MOTOR ASSEMBLY	19
DSP-CONTROLLER ASSEMBLY	20
LINE-CORDS & LINE-CORD OPTIONS.....	21
CABLES FOR 95TE-0100-05	22



CONSOLE ASSEMBLY	
Part Number	Description
GK58-00002-0099	KIT: SERV; CONS; MFG; W/FM; NTSC ; 95/97Te ENG

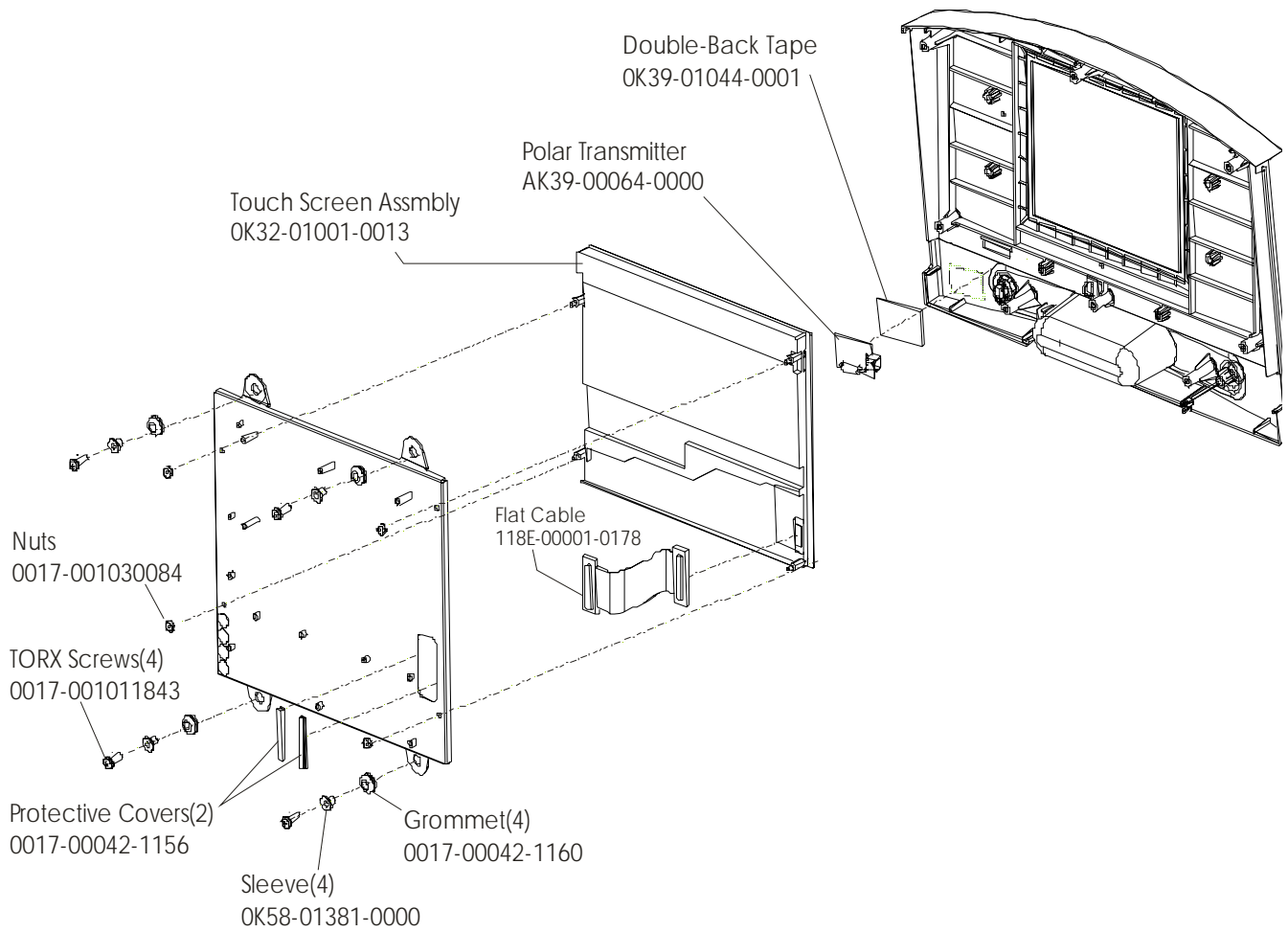
OVERLAY BEZEL ASSEMBLY		OVERLAY	
Part Number	Part Number	Description	Part Number
AK58-00516-0001	BZL/SW W/OVERLAY ASSY; 95Te; NTSC ENG	OK58-01377-0001	OVERLAY: CONS; 95Te/97Te; ENG

ARCTIC SILVER 95TE

Console Components

95TE-0100-05

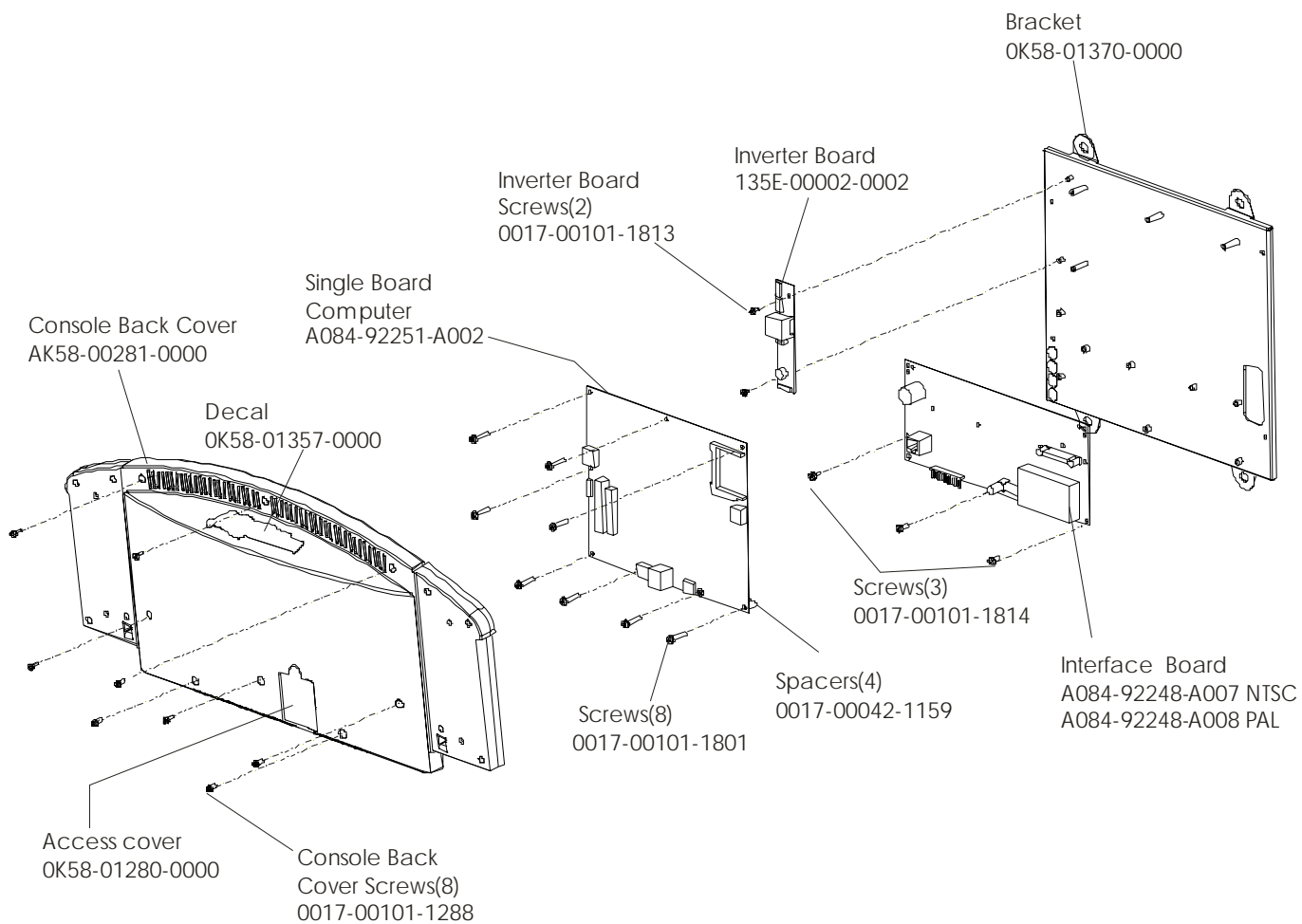
S/N TCE100000 - TCE100004



ARCTIC SILVER 95TE

Console Components - Continued

95TE-0100-05
S/N TCE100000 - TCE100004

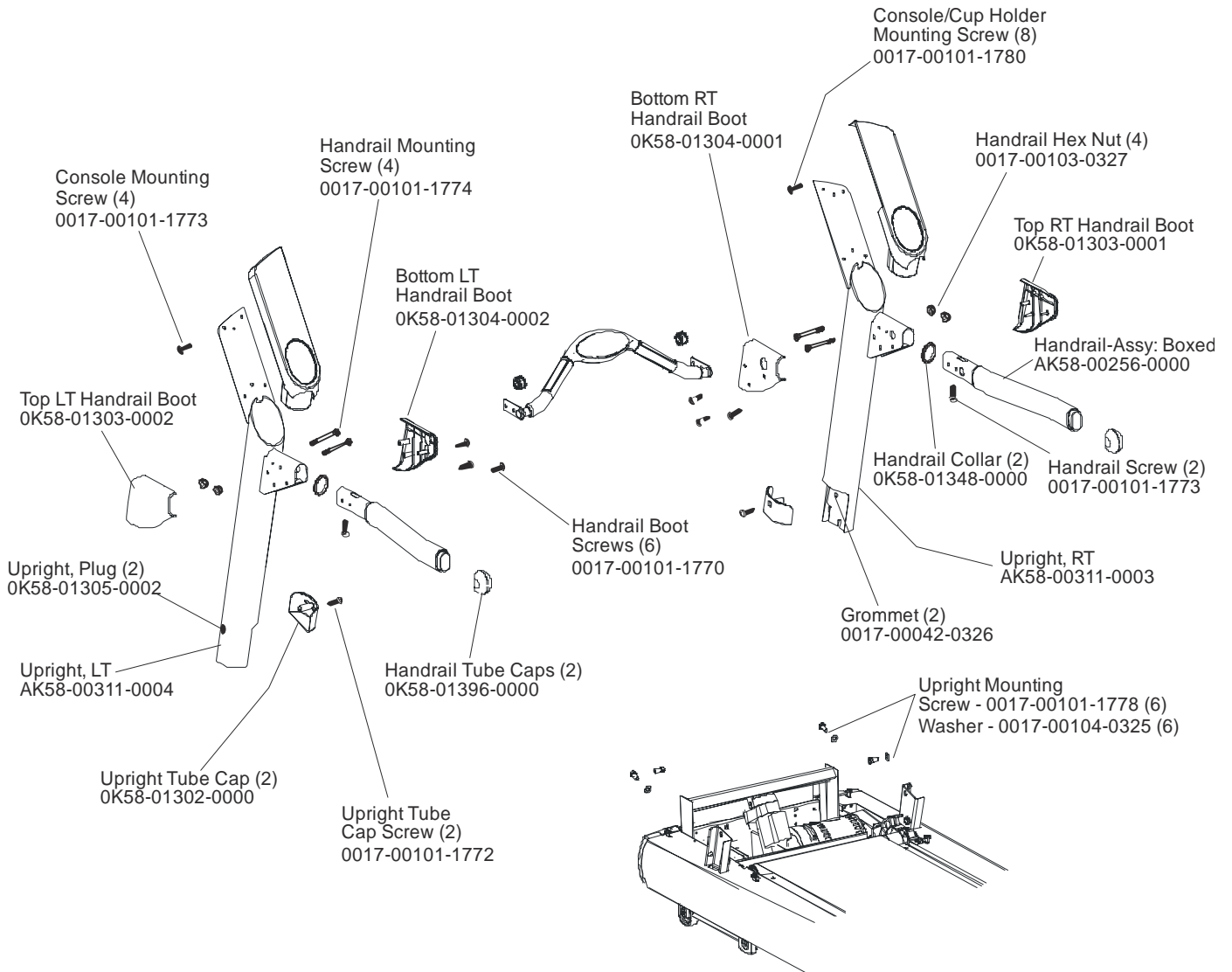


ARCTIC SILVER 95TE

Uprights & Handrails

95TE-0100-05

S/N TCE100000 - TCE100004

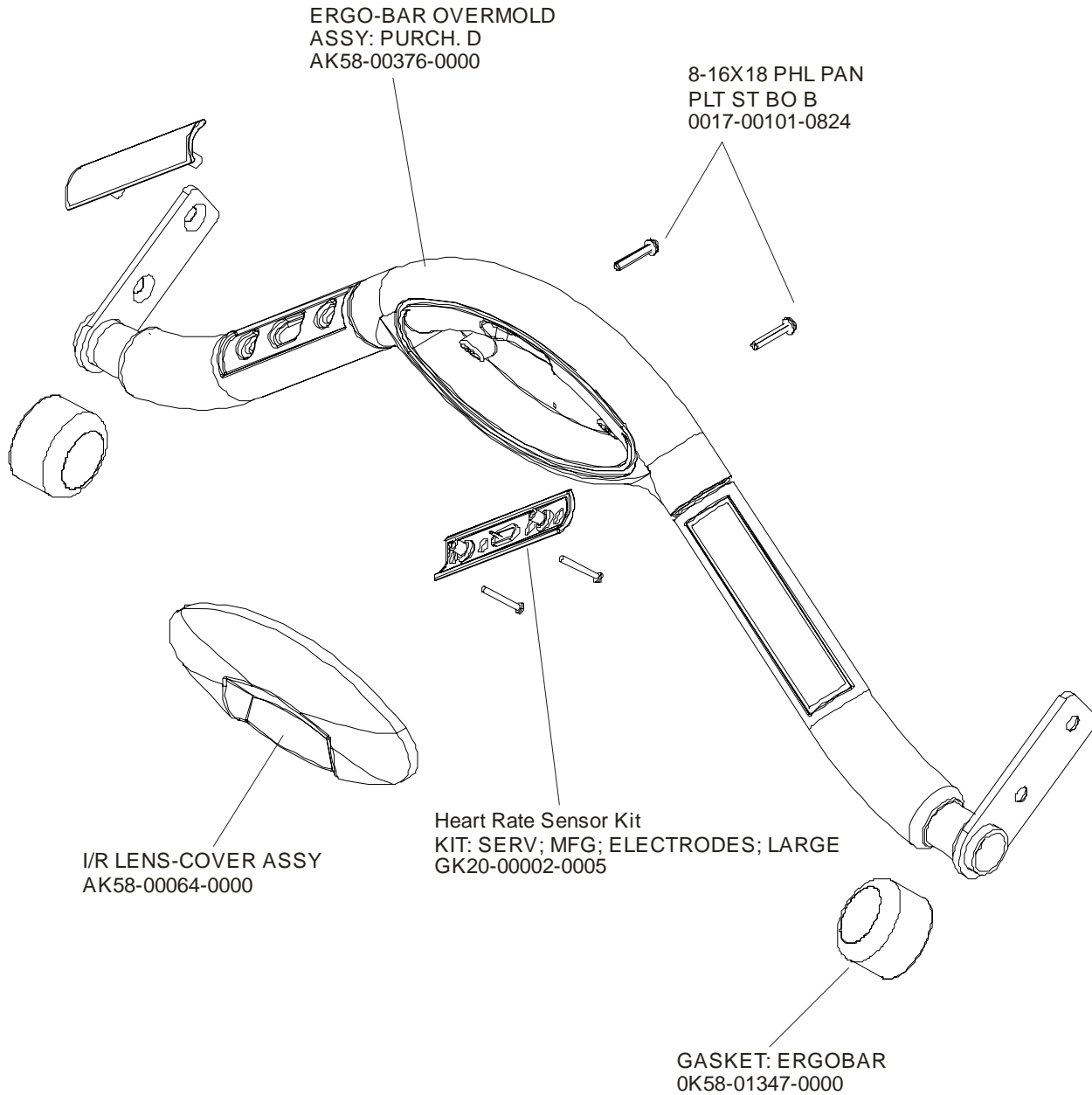


ARCTIC SILVER 95TE

Ergo Bar & Heart Rate Sensors - AK58-00219-0000

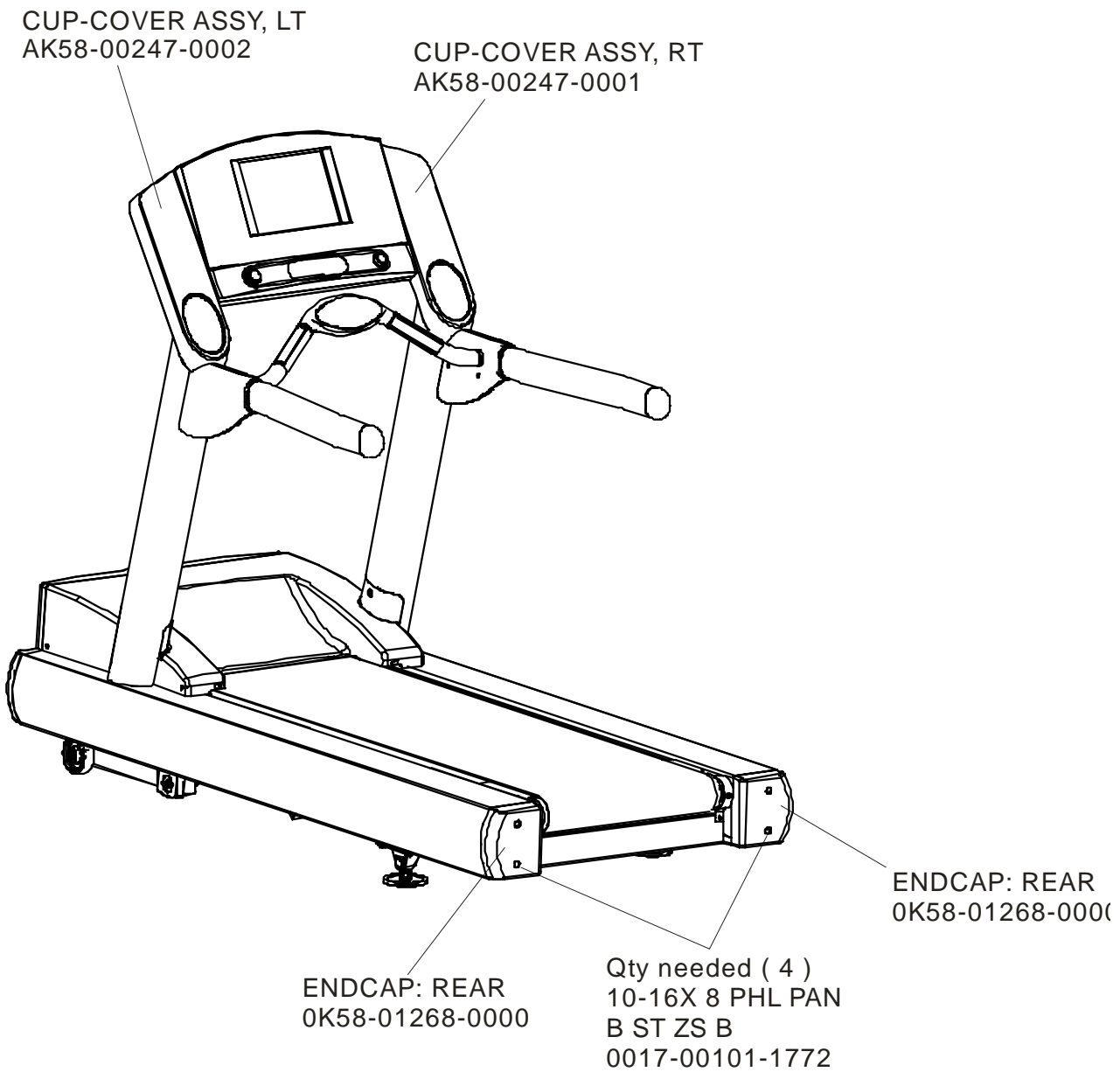
95TE-0100-05

S/N TCE100000 -
TCE100004



ARCTIC SILVER 95TE
Rear End Caps & up Holders

95TE-0100-05
S/N TCE100000 - TCE100004

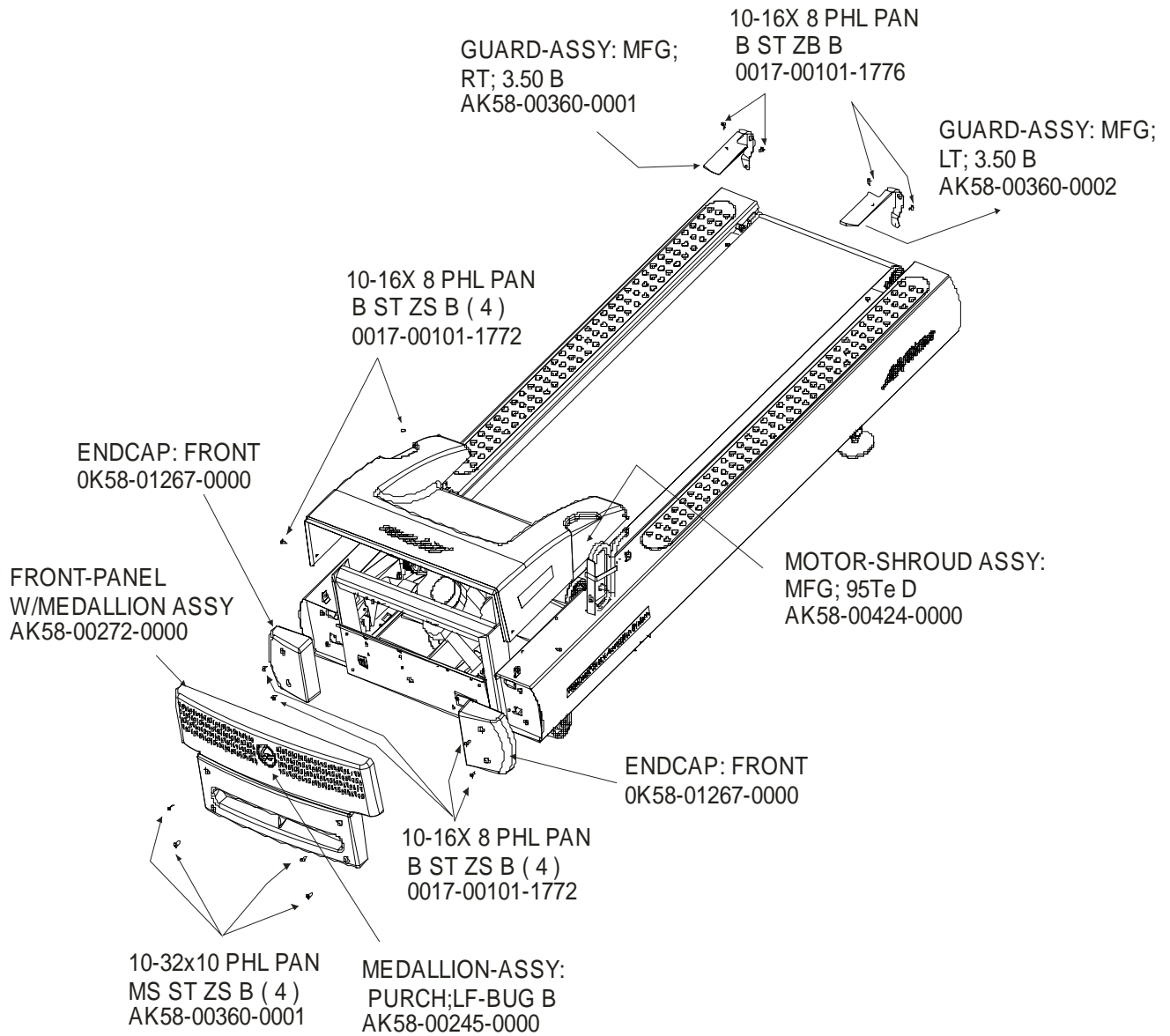


ARCTIC SILVER 95TE

95TE-0100-05

Motor Cover, Front Cover & Front End Caps

S/N TCE100000 - TCE100004

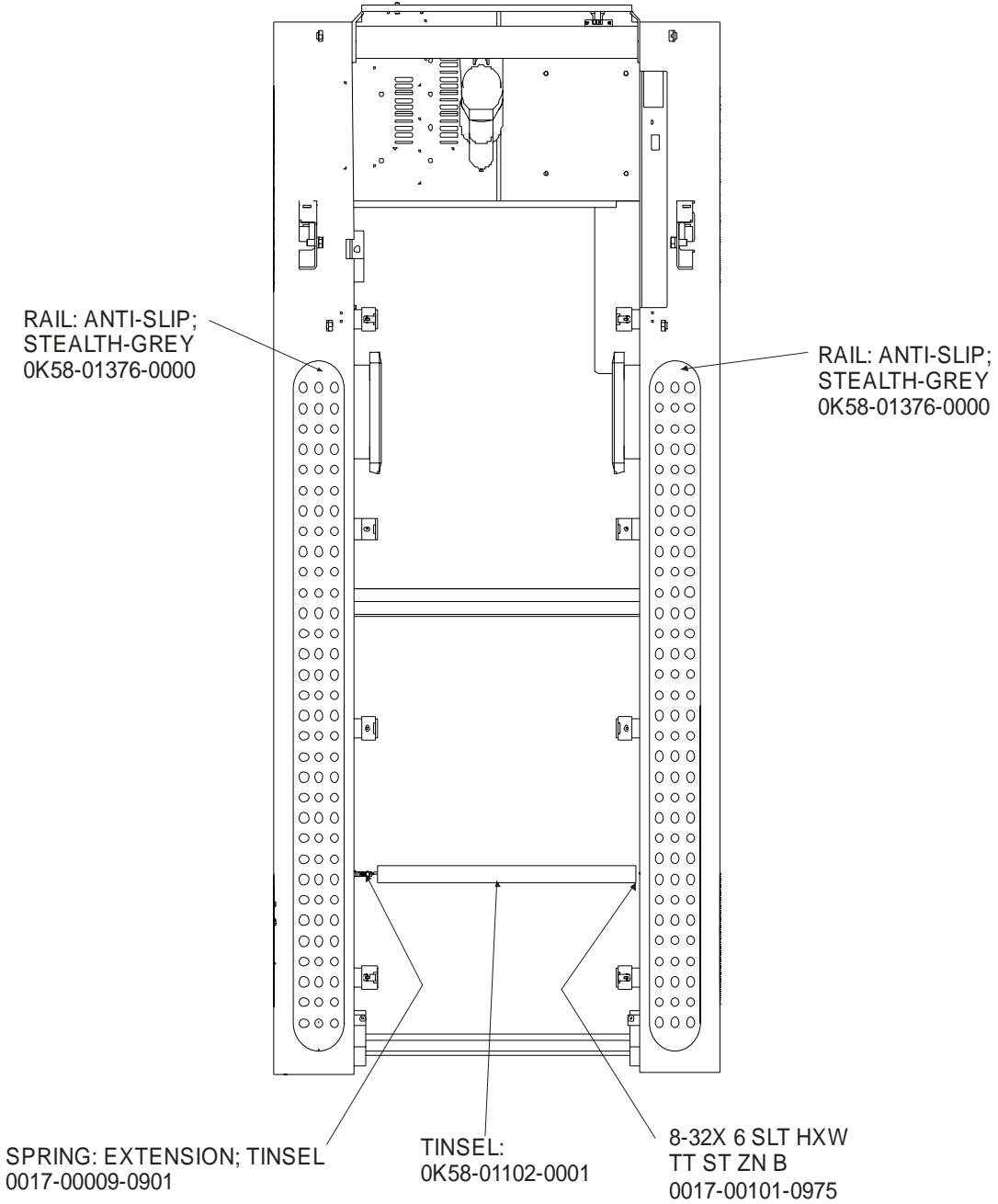


ARCTIC SILVER 95TE

Scuff Pad & Tinsel

95TE-0100-05

S/N TCE100000 - TCE100004

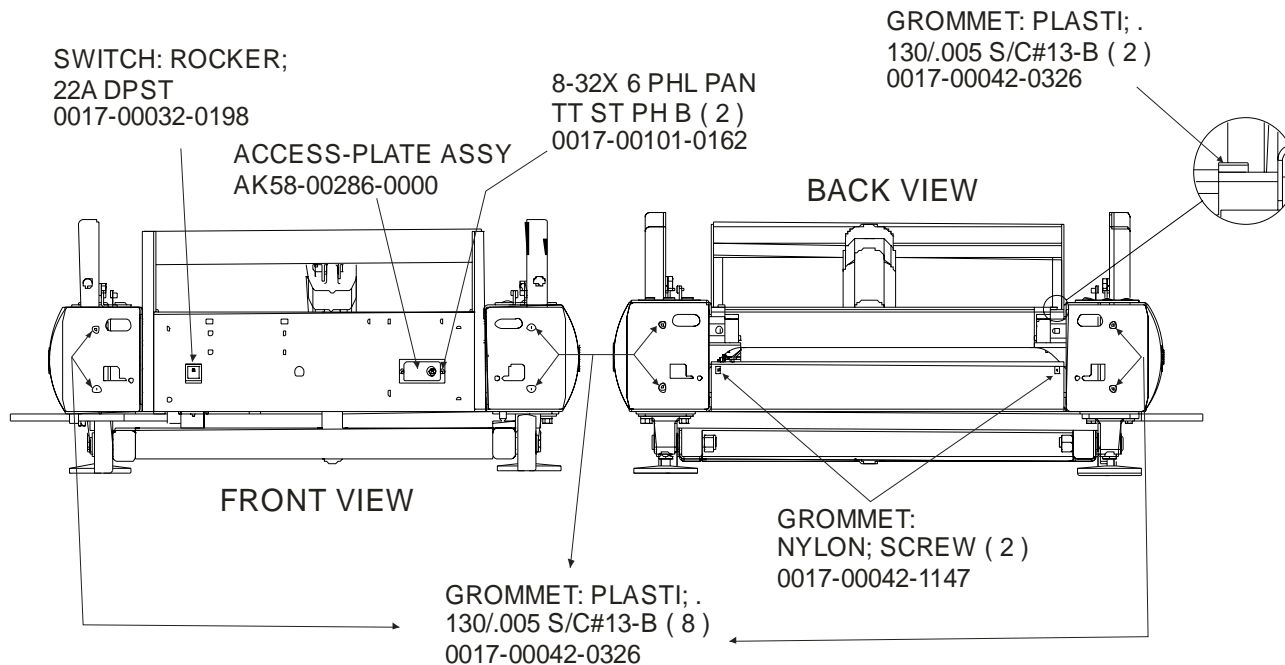
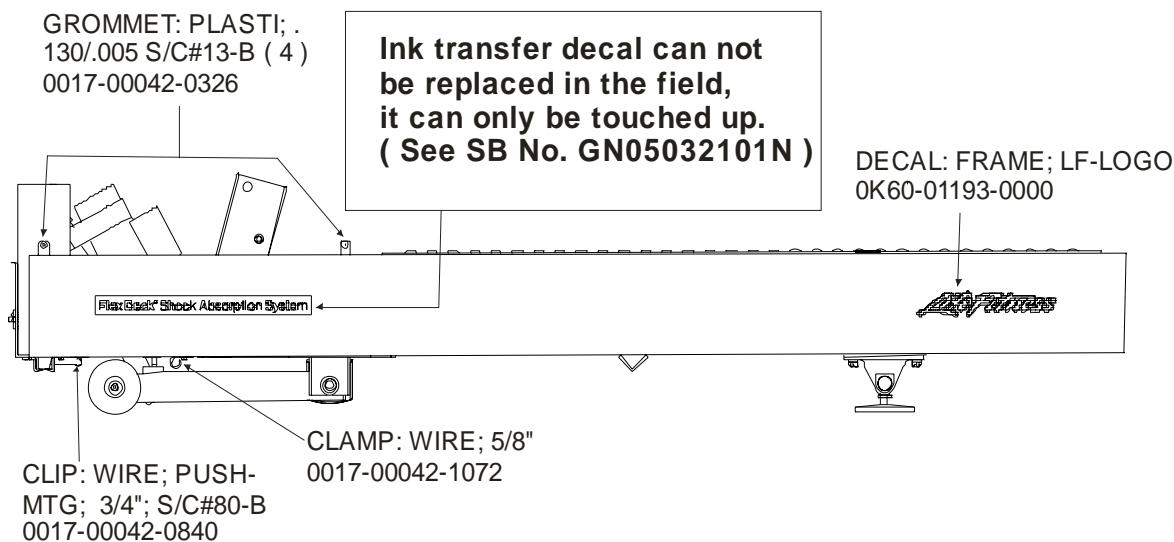


ARCTIC SILVER 95TE

95TE-0100-05

On-Off Switch, Access Plate & Grommets

S/N TCE100000 - TCE100004



ARCTIC SILVER 95TE

Belt, Deck & Rear Roller

95TE-0100-05

S/N TCE100000 - TCE100004

BELT: WALKING; BLK;
W/LOGO; NP7131 C
OK58-01400-0000

LBL: BELT-LIMIT; LT.
M051-00K58-A101

DECK: TREADMILL; WAXLESS
OK58-01091-0002

1/4 -20x20 HXS FLT L
CS ST ZB B (4)
0017-00101-1775

NUT 1/4 -20 TINNEMAN
D ST ZN B (4)
0017-00103-0198

LBL: CAUTION;
HI-VOLT;ENG+FRN B
M051-00K58-A014

LBL: BELT-LIMIT; RT.
M051-00K58-A100

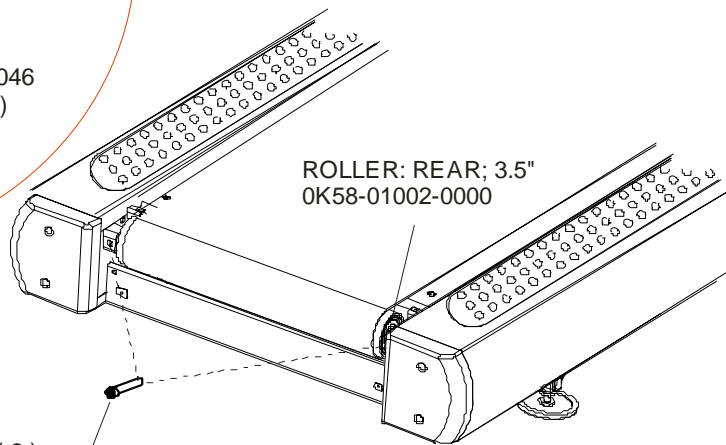
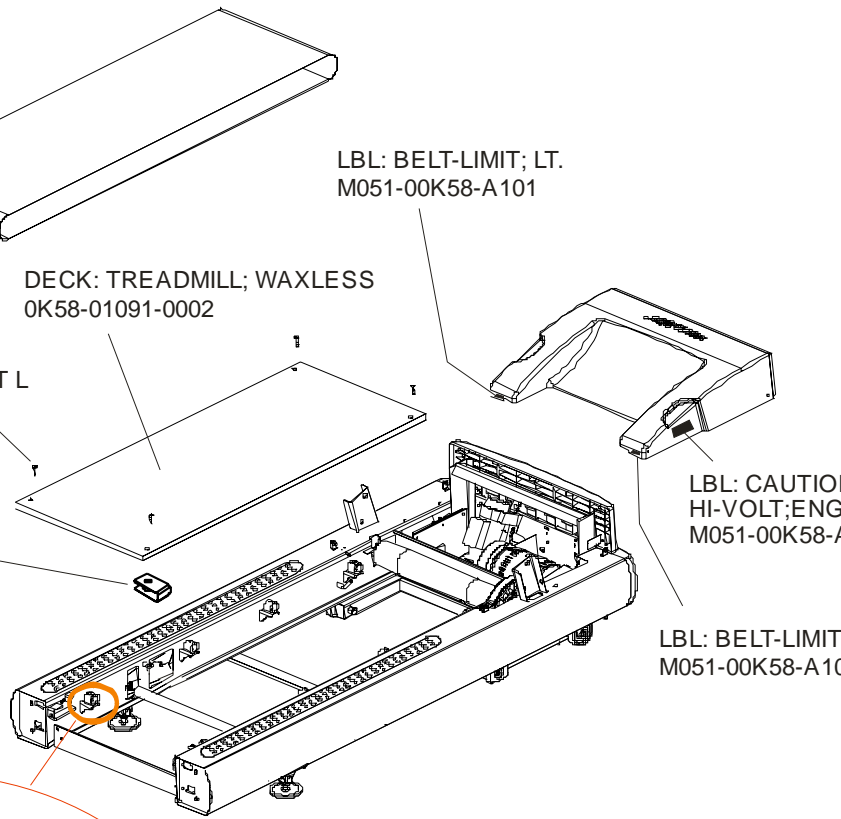
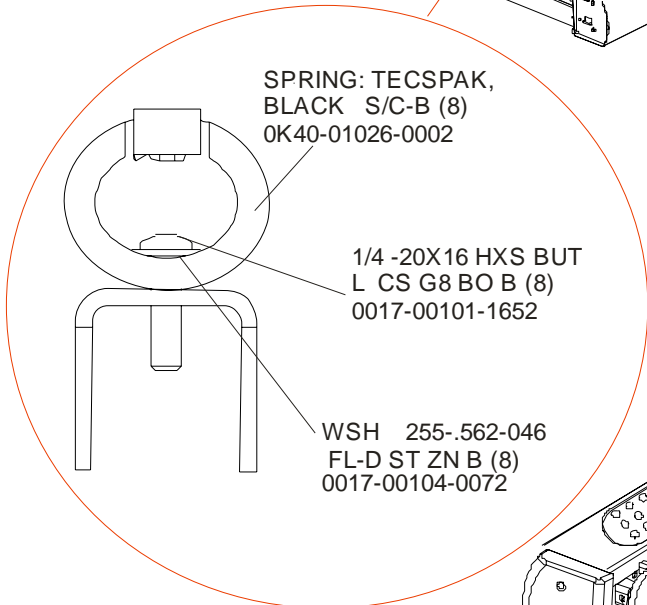
SPRING: TECSPAK,
BLACK S/C-B (8)
OK40-01026-0002

1/4 -20X16 HXS BUT
L CS G8 BO B (8)
0017-00101-1652

WSH 255-.562-046
FL-D ST ZN B (8)
0017-00104-0072

ROLLER: REAR; 3.5"
OK58-01002-0000

Rear Roller Adjusting Bolt (2)
3/8 -16X48 HEX SOC L CS ST SS B
0017-00101-1880

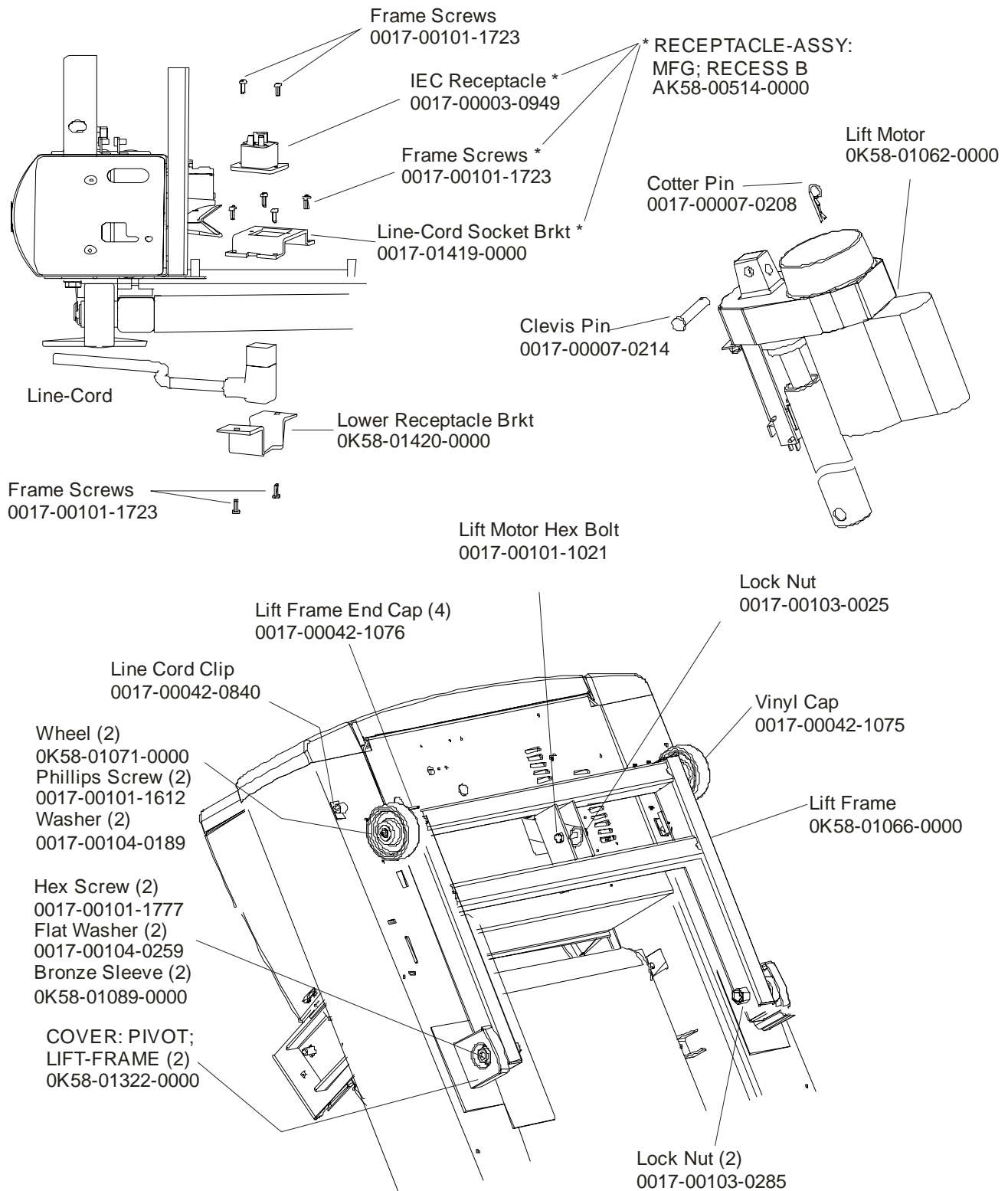


ARCTIC SILVER 95TE

95TE-0100-05

Lift Frame , Lift Motor & IEC Receptacle

S/N TCE100000 - TCE100004

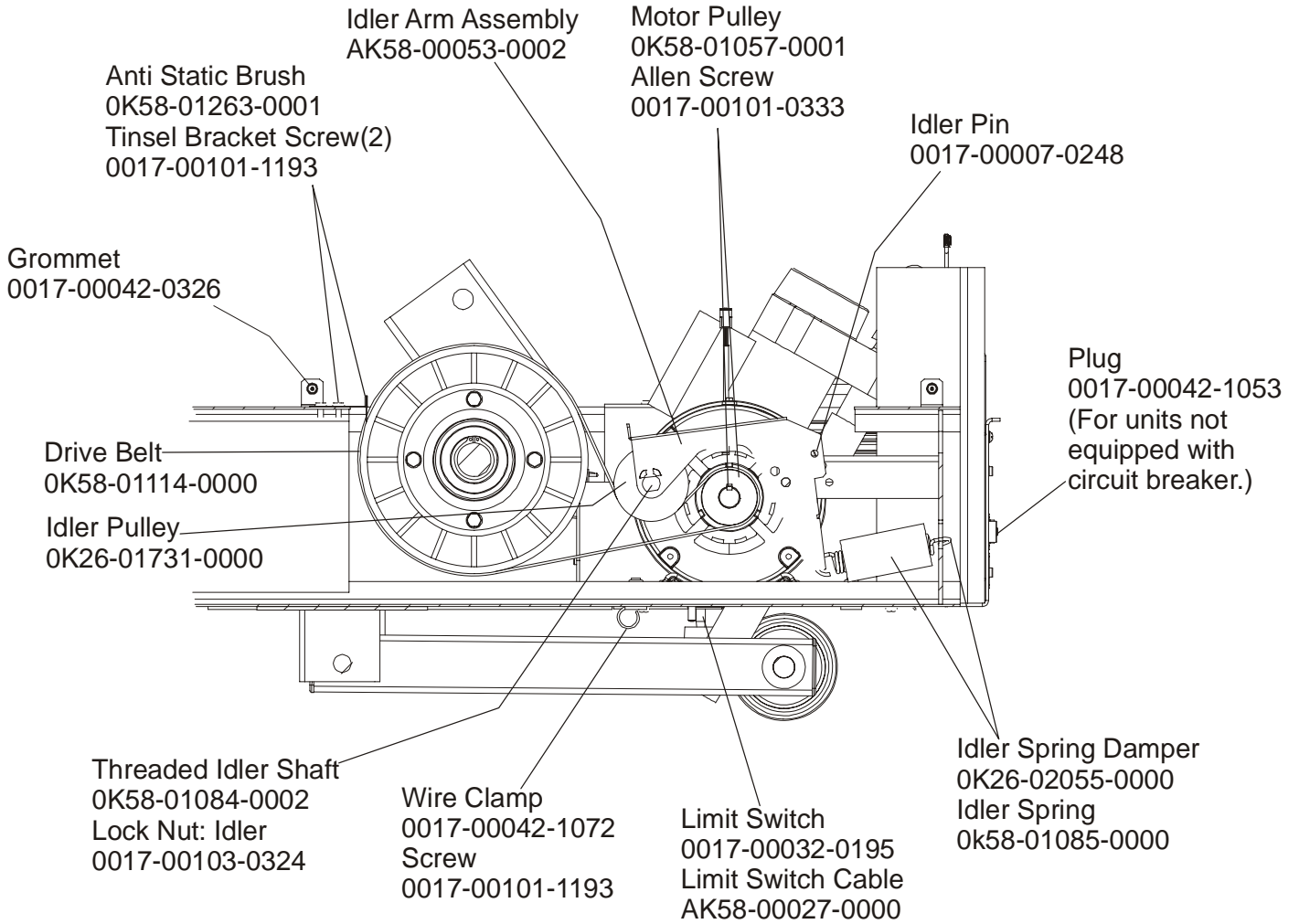


ARCTIC SILVER 95TE

Idler Arm Assy.

95TE-0100-05

S/N TCE100000 - TCE100004

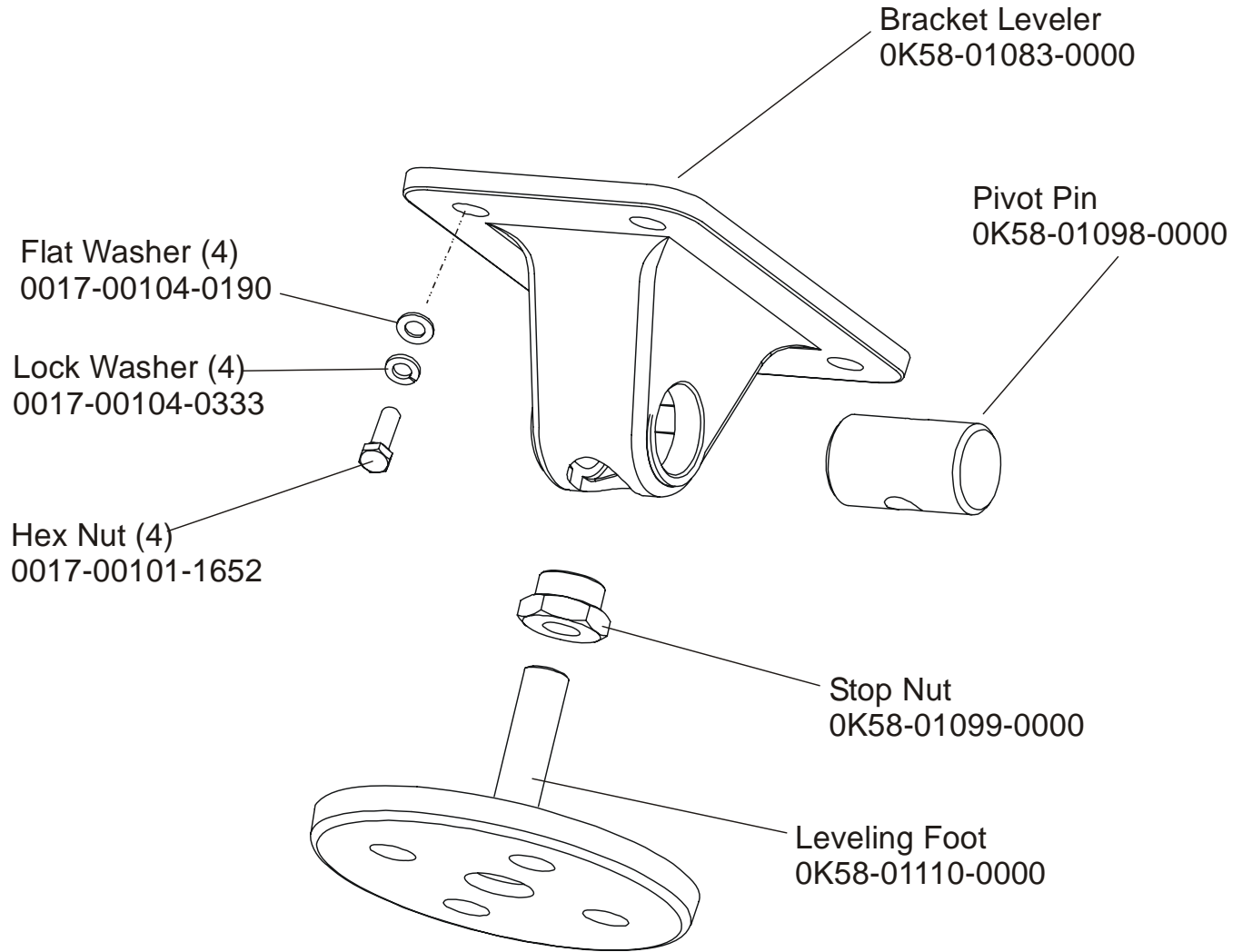


ARCTIC SILVER 95TE

95TE-0100-05

Leg Leveler Assembly – AK58-00370-0000

S/N TCE100000 - TCE100004

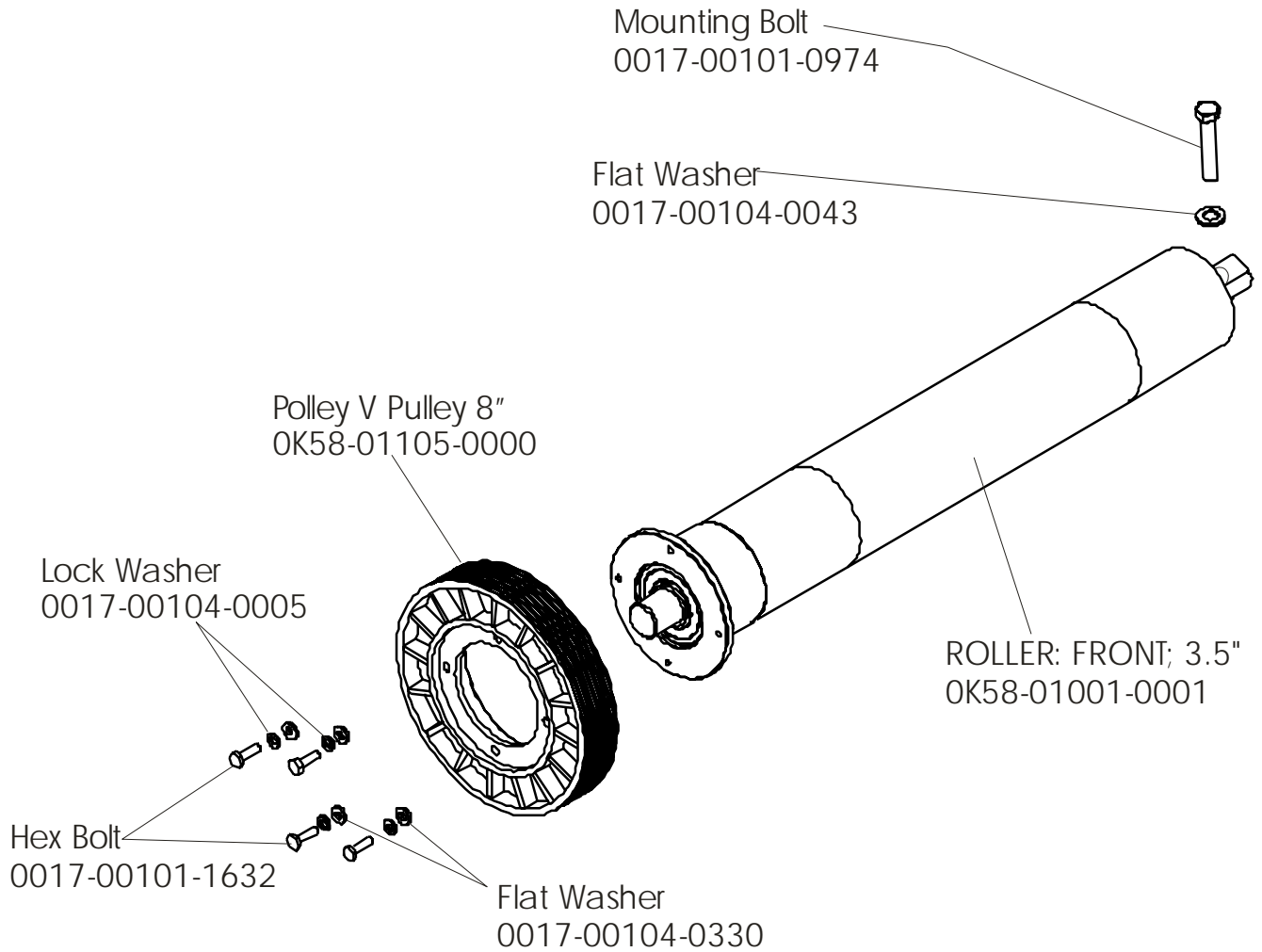


ARCTIC SILVER 95TE

Front Roller Assy.- AK58-00066-0000

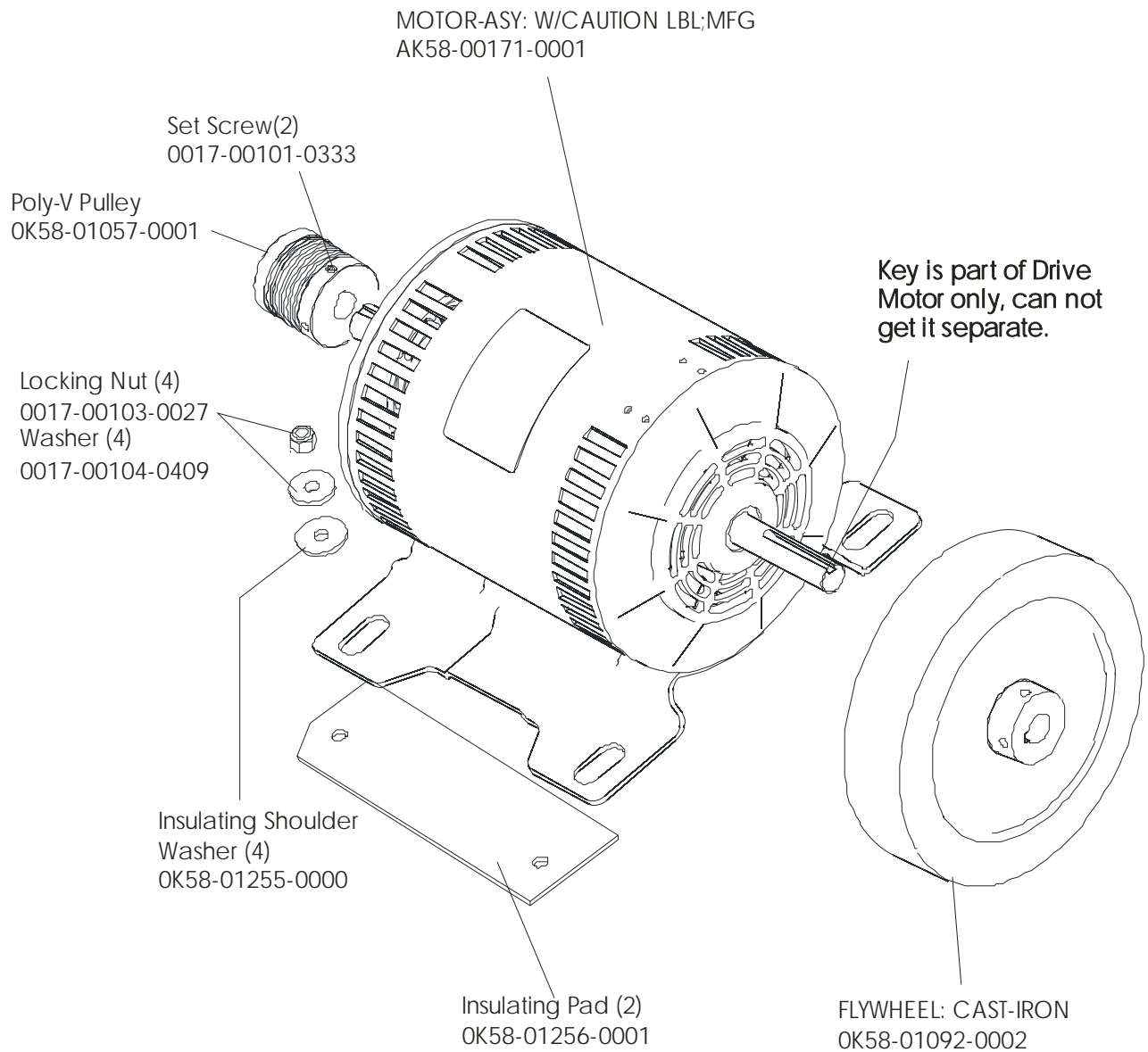
95TE-0100-05

S/N TCE100000 - TCE100004



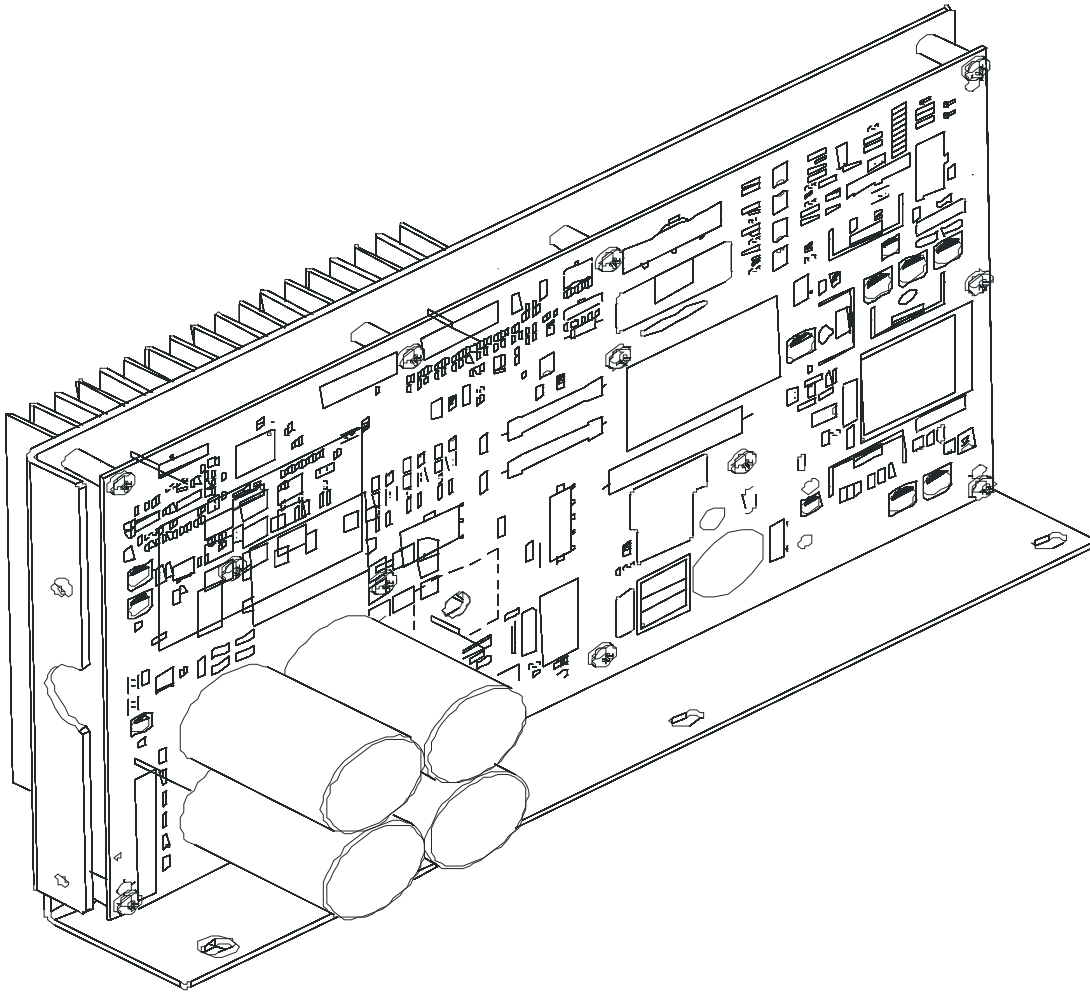
ARCTIC SILVER 95TE
Drive Motor Assembly

95TE-0100-05
S/N TCE100000 - TCE100004



ARCTIC SILVER 95TE
DSP-Controller Assy

95TE-0100-05
S/N TCE100000 - TCE100004



VOLTAGE	PART NUMBER	PART DESCRIPTION
100-120	AK65-00071-0000	NC; DSP: WOLVERINE/NEXTGEN; TREAD; ISO; 100-120
	AK58-00523-0000	CBL-ASSY: P9 JUMPER; POWER; LCD-CONS B

ARCTIC SILVER 95TE
Line-Cords & Line-Cord Options

95TE-0100-05
S/N TCE100000 - TCE100004

MODEL #	MODEL DESCRIPTION	STANDARD LINE-CORDS
95TWEZ-0100-02	95TWEZ ENG/ENG 120/60 DOM	0017-00003-0974 LINE-CORD: R/A; 96"; W/RECP S/C-C

OPTIONAL LINE-CORDS		
0017-00003-0947	LINE-CORD: 120V; 20A;	12'
0017-00003-0915	LINE-CORD: R/A 120V	8'
0017-00003-0980	LINE-CORD: R/A; NEMA 5-20 144"	12'

ARCTIC SILVER 95TE**95TE-0100-05****Cables for Units Between 0100 - 0104****S/N TCE100000 - TCE100004**

PART NUMBER	PART DESCRIPTION	95TE-0100-05
		0100 120/60 DOM
0017-00003-1015	FILTER: LINE; 20A 3-SHTS C	X
118E-00001-0178	CBL: FLAT; W/O SHIELD; 41-PIN C	X
AK32-00009-0000	CBL-ASSY: HEADPHONE C	X
AK32-00019-0001	CBL-ASSY: ETHERNET; Te; S/C-B	X
AK32-00020-0001	CBL-ASSY: COAX; 90" S/C-B	X
AK58-00027-0001	CBL-ASSY: ZERO HOME-SWITCH; 230V; LCD C	X
AK58-00032-0000	CBL-ASSY: USER SENSE PROX. C	X
AK58-00036-0002	CBL-ASSY: EMERGENCY-STOP C	X
AK58-00041-0001	CBL-ASSY: H/R SENSORS C	X
AK58-00081-0000	CBL-ASSY: JUMPER; BLK; 4" B	X
AK58-00082-0000	CBL-ASSY: JUMPER; WHT; 6" B	X
AK58-00083-0000	CBL-ASSY: JUMPER; GR/YL; 5" B	X
AK58-00224-0001	CBL-ASSY: MOV; FILTER C	X
AK58-00232-0000	CBL-ASSY: CONS; MIDDLE C	X
AK58-00263-0000	CBL-ASSY: HI-POT JUMPER B	X
AK58-00273-0001	CBL-ASSY: POWER; Te; PAL C	X
AK58-00274-0001	CBL-ASSY: POLAR/E-STOP; 19.5"C	X
AK58-00520-0000	CBL-ASSY: POWER; 100-200V C	X
AK58-00523-0000	CBL-ASSY: JUMPER; POWER; LCD-CONS B	X