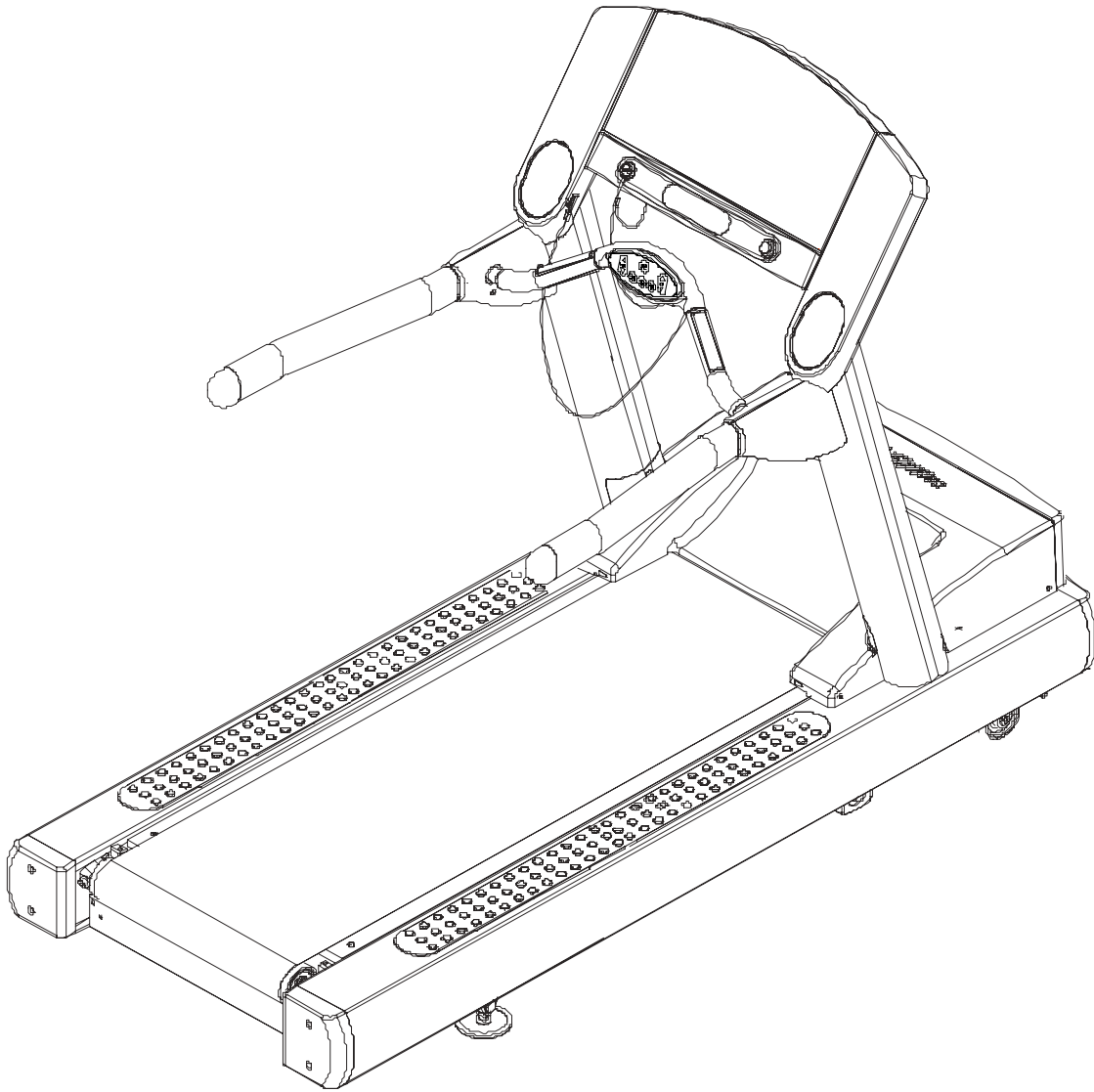


LifeFitness

ARCTIC SILVER 95TWEZ TREADMILL



Customer Support Services
PARTS MANUAL rev Nov 2014

CONSOLE, OVERLAY ASSEMBLY & OVERLAY	5
CONSOLE COMPONENTS	6
CONSOLE COMPONENTS - JAPANESE.....	7
UPRIGHTS & HANDRAILS.....	8
ERGO BAR, HEART RATE SENSORS & ACTIVITY ZONE.....	9
A-Z MODULE WITH OVERLAY ASSY	10
REAR ENDCAPS & CUP HOLDERS	11
MOTOR COVER, FRONT COVER & ENDCAPS.....	12
SCUFF PAD & TINSEL	13
ON-OFF SWITCH, ACCESS PLATE & GROMMETS.....	14
BELT, DECK & REAR ROLLER.....	15
LIFT FRAME, LIFT MOTOR & IEC RECEPTACLE	16
IDLER ARM ASSEMBLY	17
LEG LEVELER ASSEMBLY	18
FRONT ROLLER ASSEMBLY	19
DRIVE MOTOR ASSEMBLY	20
STRIDE SENSOR ASSY & STRIDE SENSOR PCB ASSY.	21
DSP-CONTROLLER ASSEMBLY.....	22
LINE-CORDS & LINE-CORD OPTIONS	23
CABLES FOR UNITS BETWEEN 0100 - 0104	24
CABLES FOR UNITS BETWEEN 0105 - 0300	25

**ARCTIC SILVER 95TWEZ
ASSEMBLIES**

**95TWEZ-XXXX-07
S/N TSF100000 and up**

ASSEMBLIES				
LANGUAGE	OPERATION MANUAL	INSTRUCTION ASSEMBLY	INSTRUCTION BAG ASSY.	SERVICE MANUAL
ENGLISH	M051-00K58-A272	M051-00K58-A322	AK58-00587-0000	M051-00K58-A253
FRENCH	M051-00K58-A273	M051-00K58-A323	AK58-00587-0001	
PORTUGUESE				
SPANISH				
DUTCH	M051-00K58-A274	M051-00K58-A324	AK58-00587-0002	
GERMAN				
ITALIAN				
JAPANESE	M051-00K58-A275	M051-00K58-A325	AK58-00587-0003	
EUR	M051-00K58-A272	M051-00K58-A322	AK58-00587-0004	
NOTE: not all instruction or instruction bag assemblies may be available				

AK58-00226-0000	HDWR-BAG ASSY: MFG;95T/97T	
Item	Description	Qty
OK58-01305-0002	PLUG: UPRIGHT S/C-C	2
OK58-01347-0000	GASKET: ERGOBAR C	2
0017-00009-1049	WRENCH: TORX; T27 B	1
0017-00042-0326	GROMMET: PLASTI; .130/.005 S/C#13-B	2
0017-00042-0840	CLIP: WIRE; PUSH-MTG; 3/4"; S/C#80-B	5
0017-00101-1770	8-15X 8 PHL PAN A SS NO B	6
0017-00101-1772	10-16X 8 PHL PAN B ST ZS B	6
0017-00101-1773	1/4 -20X 8 TRX BUT CS SS NO B	6
0017-00101-1774	5/16-18X40 TRX FLT CS ST ZS B	4
0017-00101-1778	1/2 -13X16 UNS HEX CS G5 ZB B	4
0017-00101-1780	8- X20 PHL TRS AB SS NO B	8
0017-00104-0325	WSH 516-.873-125 SL-D ST ZN B	4

**ARCTIC SILVER 95TWEZ
ASSEMBLIES - CONTINUED**

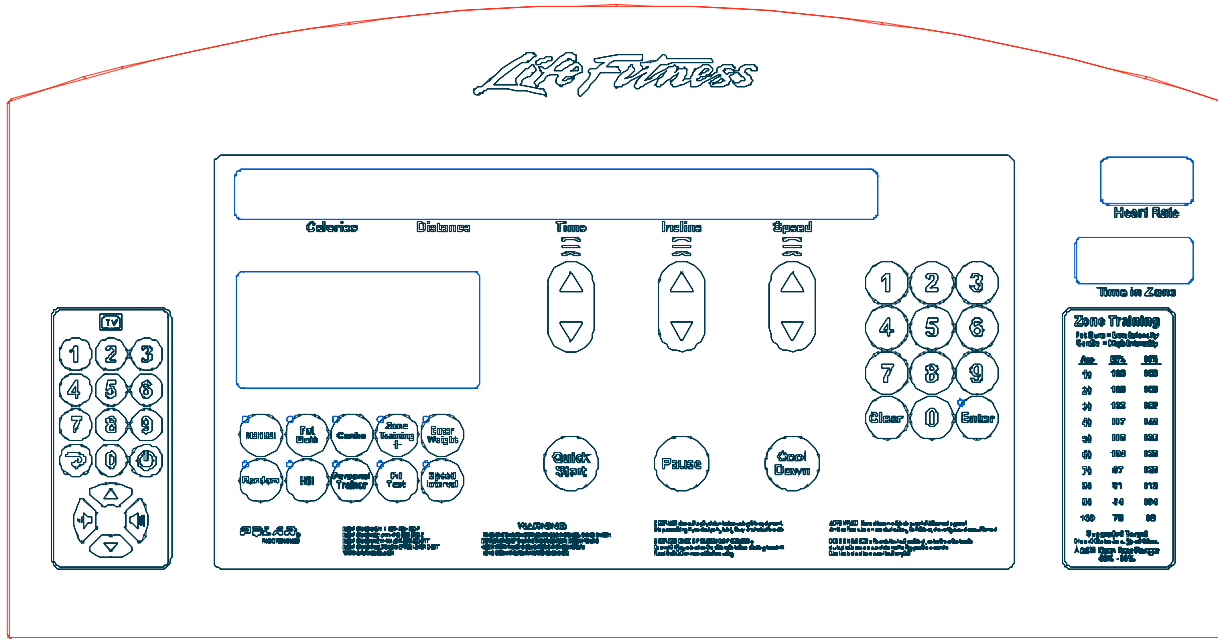
**95TWEZ-XXXX-07
S/N TSF100000 and up**

GK58-00002-0095 KIT: SERV; ROLLER-GUARDS; 93/95Ti BM		
Part Number	Description	Qty
AK58-00360-0001	GUARD-ASSY: MFG; RT; 3.50 B	1
AK58-00360-0002	GUARD-ASSY: MFG; LT; 3.50 B	1
M051-00K58-B128	INSTR: SERV; ROLLER-GUARDS +	1
0017-00042-0326	GROMMET: PLASTI; .130/.005 S/C#13-B	2
0017-00042-1147	GROMMET: NYLON; SCREW B	2
0017-00101-1776	10-16X 8 PHL PAN B ST ZB B	4

GK58-00002-0071 KIT: SERV; ANTI-SLIP RAIL BM		
Part Number	Description	Qty
Only available in the kit	INSTR:TEMPLT; ANTI-SLIP RAIL B	4
Only available in the kit	INSTR: KIT; ANTI-SLIP RAIL +	1
0K58-01376-0000	RAIL: ANTI-SLIP;STEALTH-GREY E	2
Only available in the kit	PAD: WIPE; ALCOHOL/DRY B	

TOUCH UP PAINT:	
Part Number	Description
0017-00008-0204	PAINT: CAN; SPRAY; ARCTIC SILVER
0017-00008-0205	PAINT: BOTTLE; ARCTIC SILVER (.5 OZ)
0017-00008-0206	PAINT: PEN; ARCTIC SILVER (.33 OZ)

INK TRANSFER TOUCH-UP PAINT: SB No. GN05032101N	
Part Number	Description
0017-00008-0210	PAINT: TOUCH-UP; SHADOW-GRAY; .6 OZ BTL.
0017-00008-0211	PAINT: TOUCH-UP; SHADOW-GRAY; .6 OZ. PEN



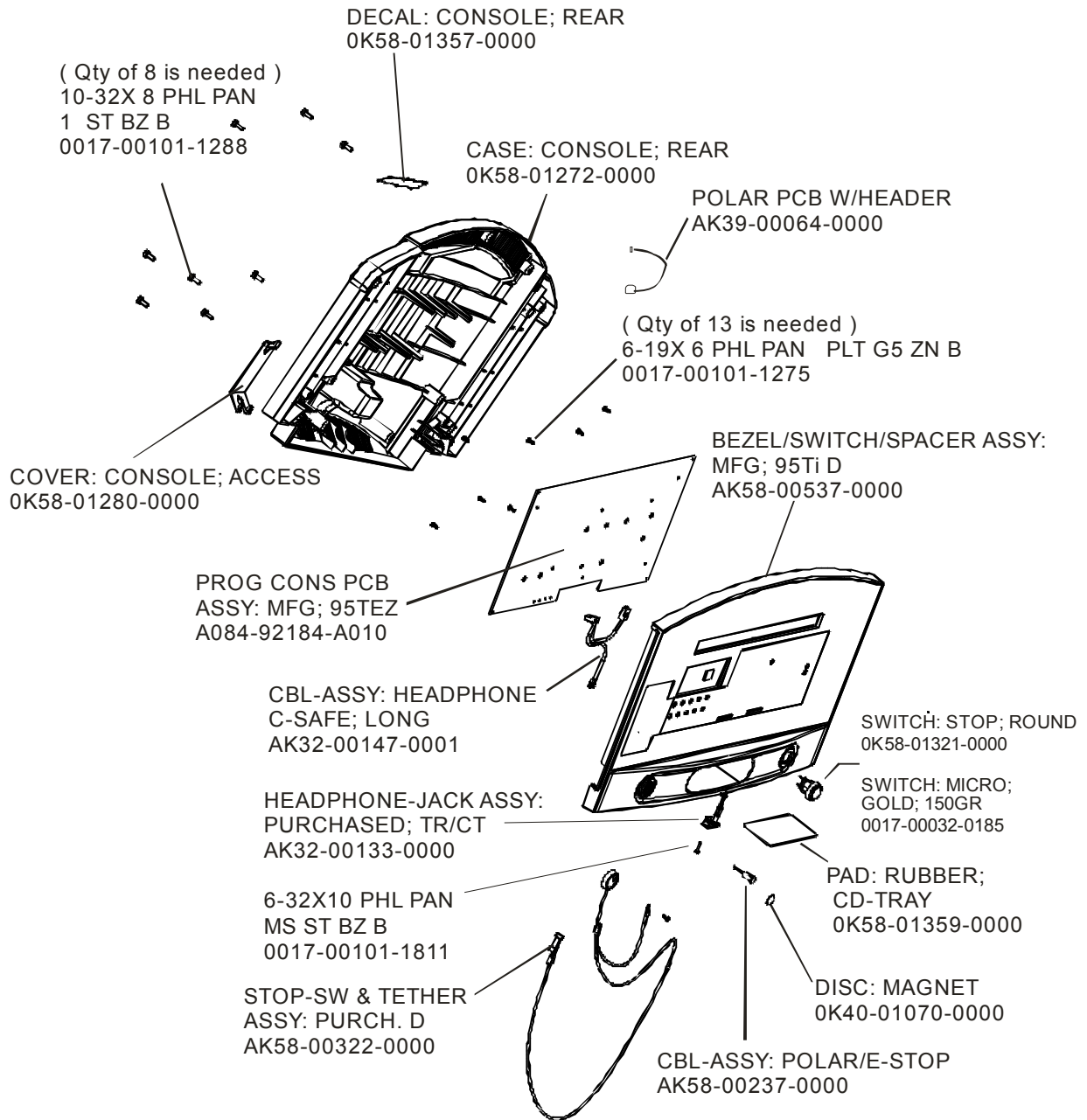
PLEASE NOTE:

ALL CONSOLE, OVERLAY/BEZEL ASSY OR OVERLAY
MAY NOT BE AVAILABLE

LANGUAGE	CONSOLE	OVERLAY/BEZEL ASSY
ENG/ENG	AK58-00591-0001	AK58-00548-0001
ENG+MET	AK58-00591-0002	AK58-00548-0002
GERMAN	AK58-00591-0003	AK58-00548-0003
SPANISH	AK58-00591-0004	AK58-00548-0004
JAPANESE	AK58-00590-0006	AK58-00548-0006
FRENCH	AK58-00591-0007	AK58-00548-0007
ITALIAN	AK58-00591-0008	AK58-00548-0008
DUTCH	AK58-00591-0009	AK58-00548-0009
PORUGUESE	AK58-00591-0010	AK58-00548-0010

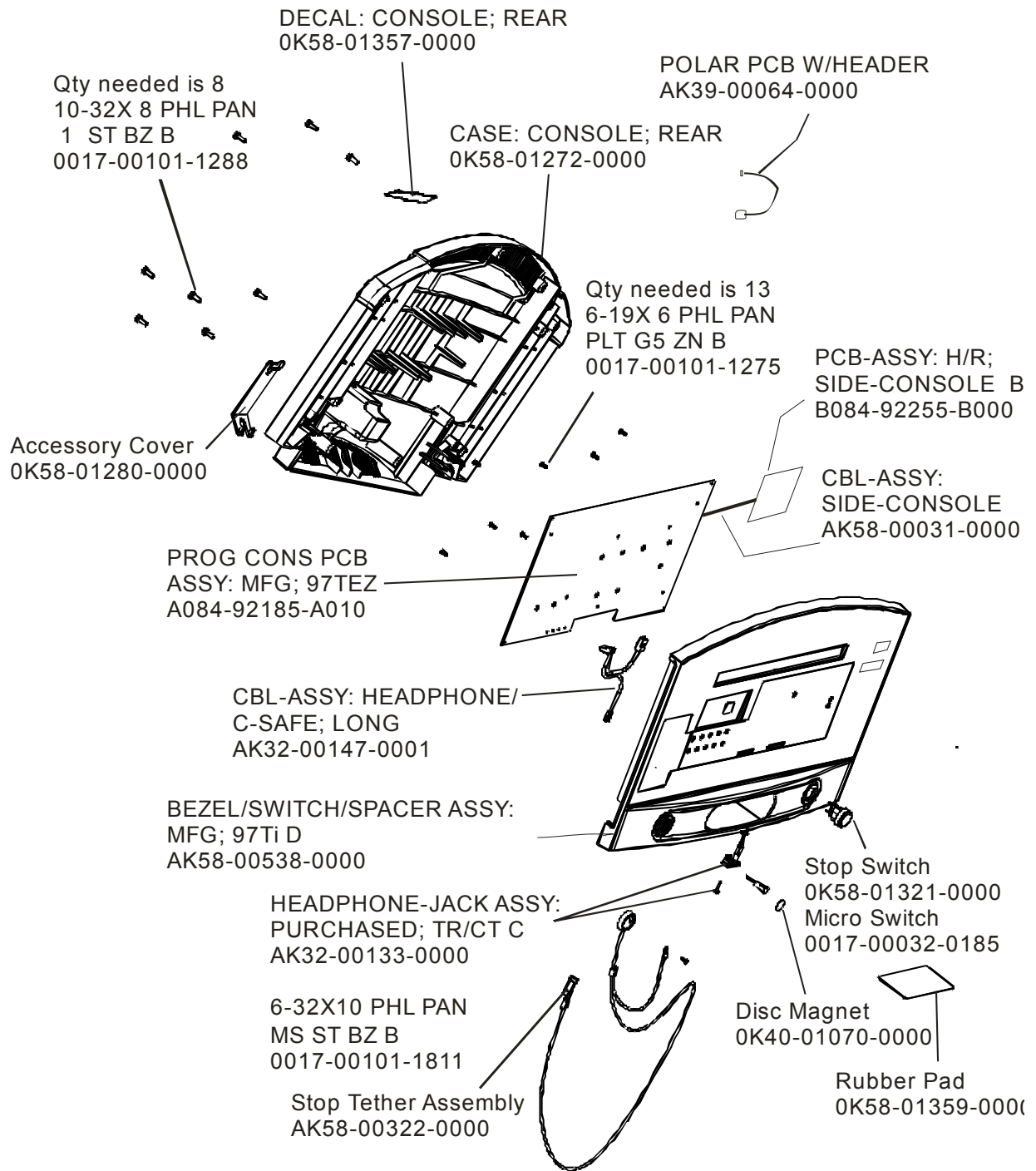
ARCTIC SILVER 95TWEZ
Console Components

95TWEZ-XXXX-07
S/N TSF100000 and up



ARCTIC SILVER 95TWEZ
Console Components - Japanese

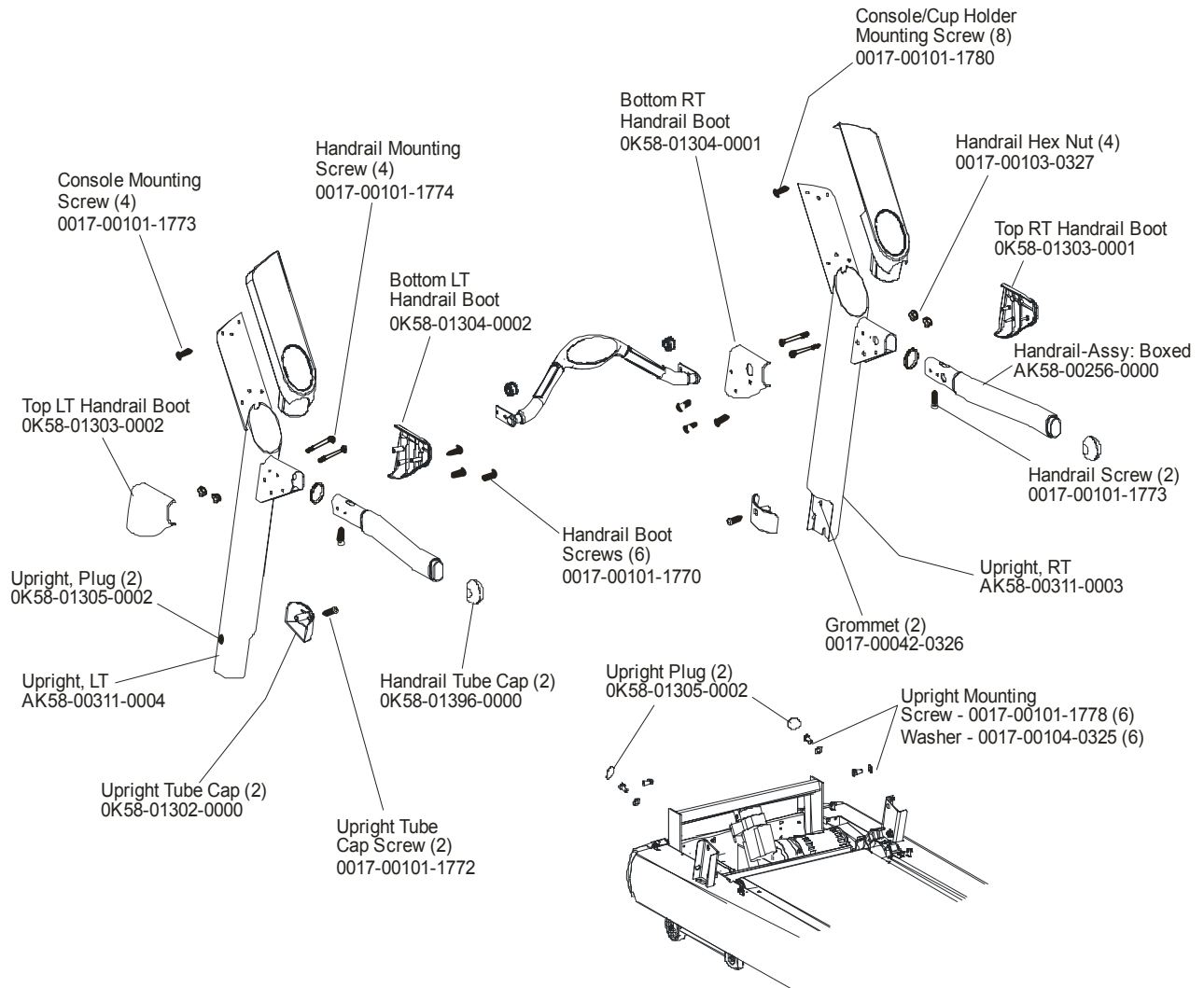
95TWEZ-XXXX-07
S/N TSF100000 and up



ARCTIC SILVER 95TWEZ

Uprights & Handrails

95TWEZ-XXXX-07
S/N TSF100000 and up

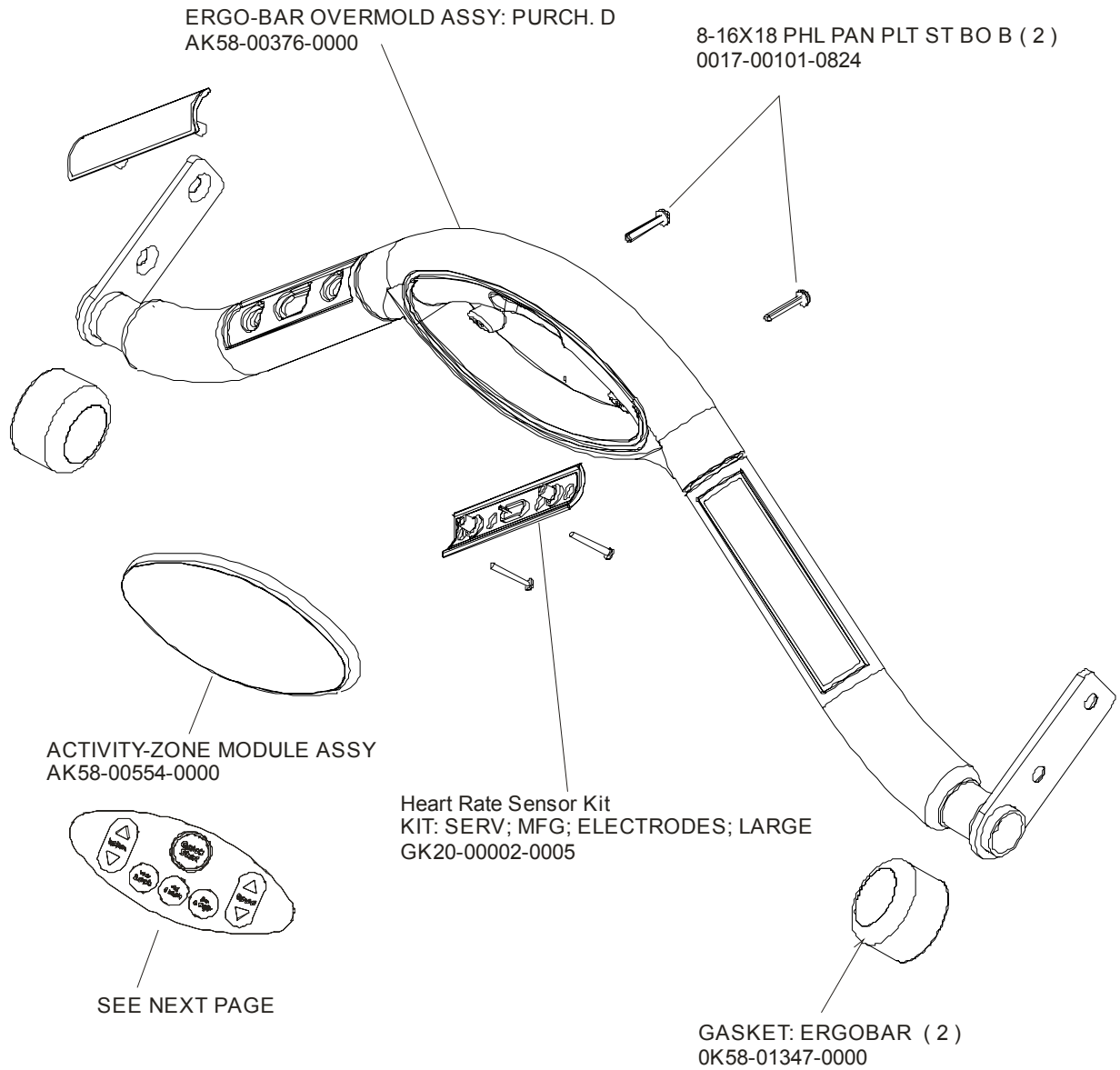


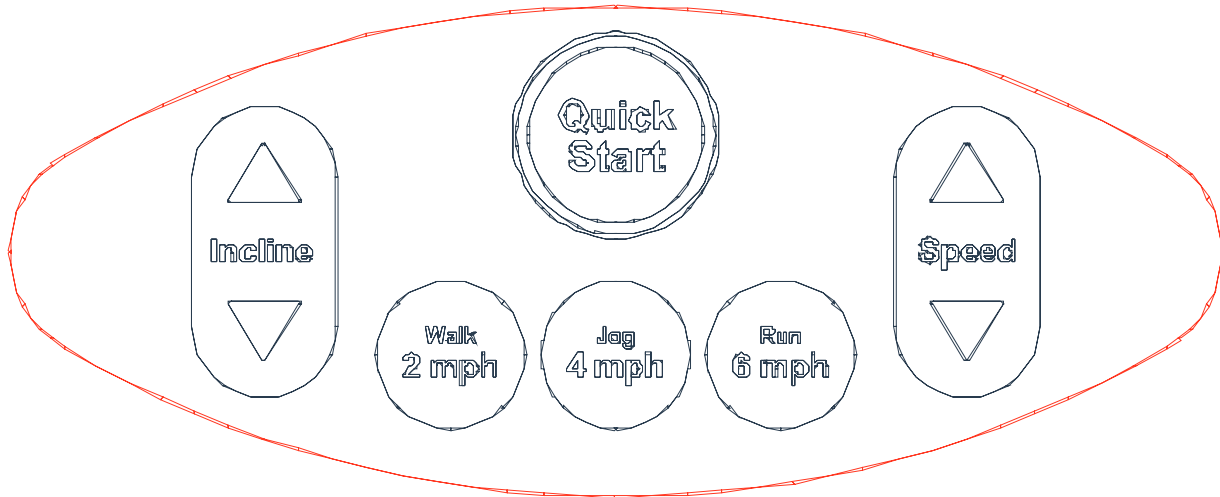
ARCTIC SILVER 95TWEZ

Ergo Bar, Heart Rate Sensors & Activity Zone

95TWEZ-XXXX-07

S/N TSF100000 and up





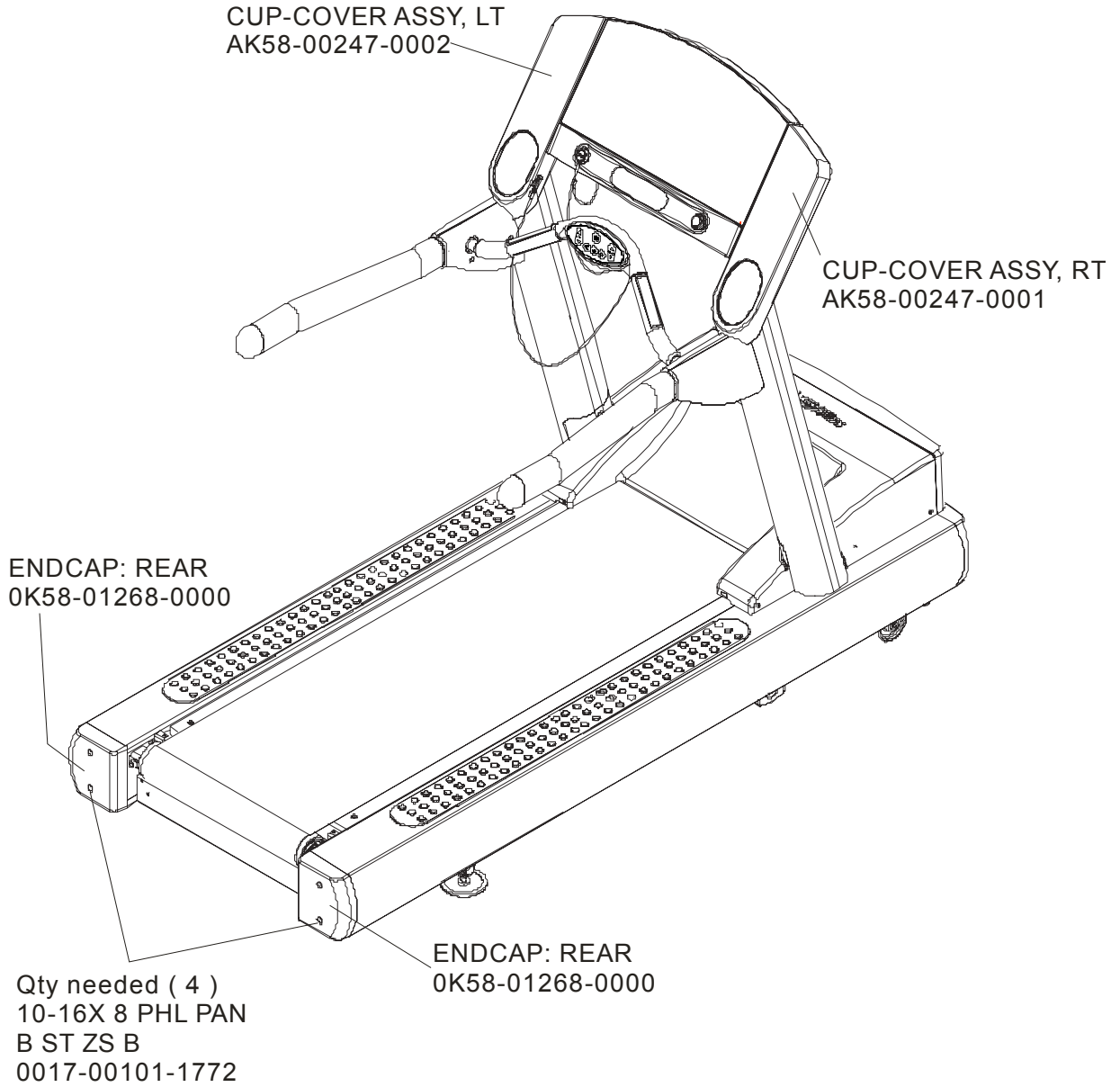
PLEASE NOTE:

ALL ACTIVITY-ZONES AND/OR OVERLAYS
MAY NOT BE AVAILABLE

LANGUAGE	A-Z MODULE W/OVERLAY ASSY	AZ OVERLAY
ENG/ENG	AK58-00555-0001	OK58-01459-0001
ENG+MET	AK58-00555-0002	OK58-01459-0002
GERMAN	AK58-00555-0003	OK58-01459-0003
SPANISH	AK58-00555-0004	OK58-01459-0004
JAPANESE	AK58-00555-0006	OK58-01459-0006
FRENCH	AK58-00555-0007	OK58-01459-0007
ITALIAN	AK58-00555-0008	OK58-01459-0008
DUTCH	AK58-00555-0009	OK58-01459-0009
PORUGUESE	AK58-00555-0010	OK58-01459-0010

ARCTIC SILVER 95TWEZ
Rear End Caps & up Holders

95TWEZ-XXXX-07
S/N TSF100000 and up

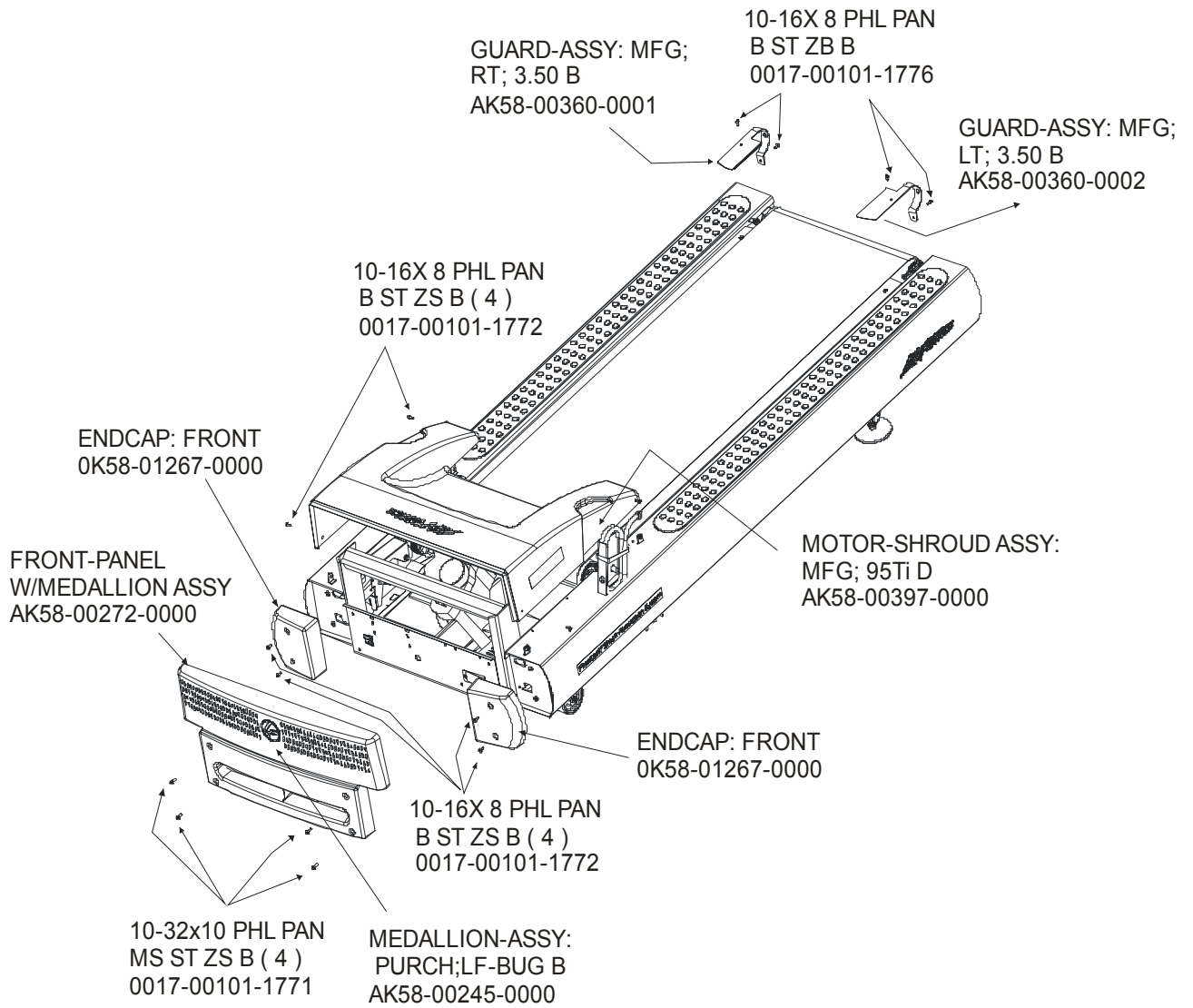


ARCTIC SILVER 95TWEZ

Motor Cover, Front Cover & Front End Caps

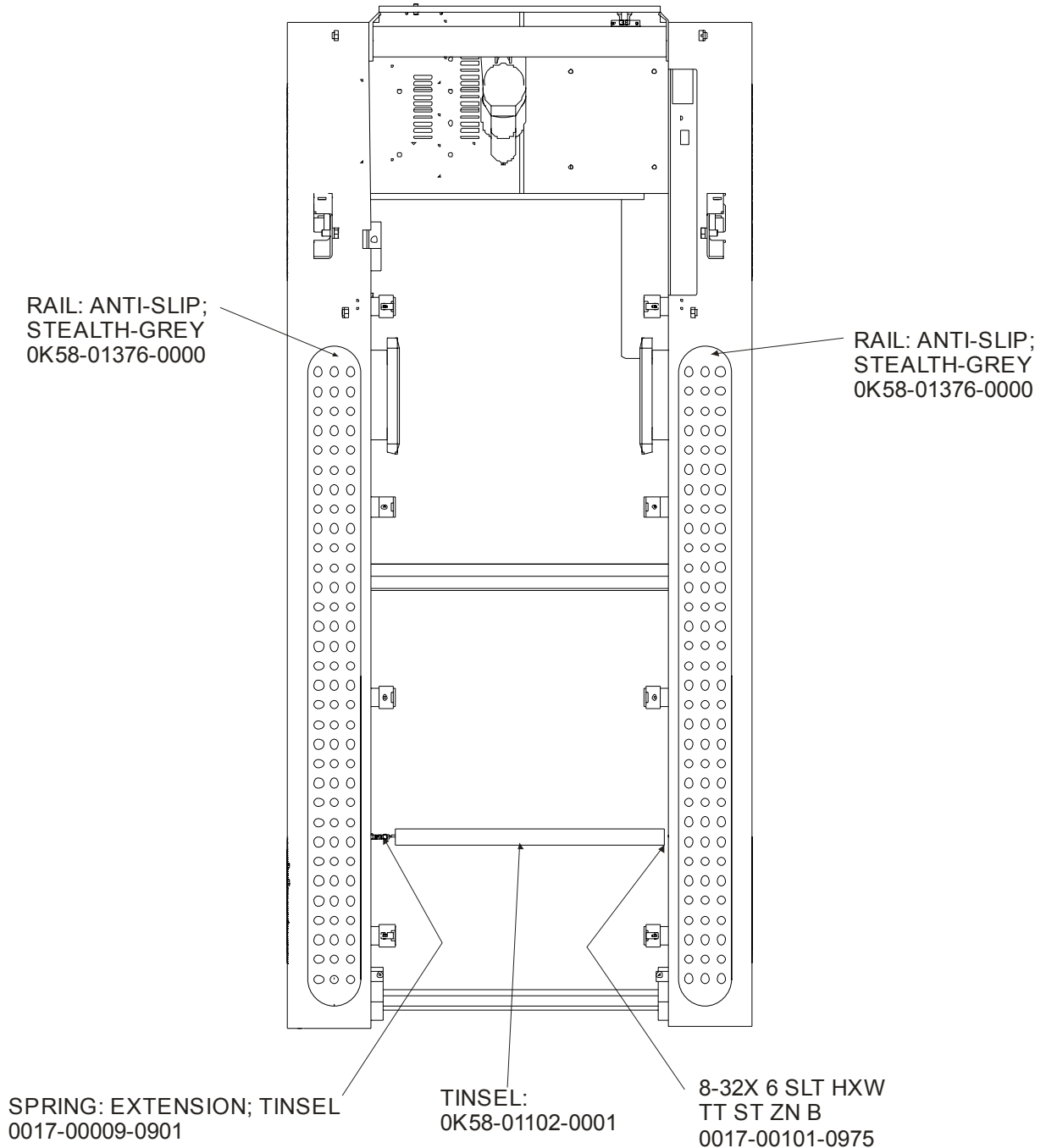
95TWEZ-XXXX-07

S/N TSF100000 and up



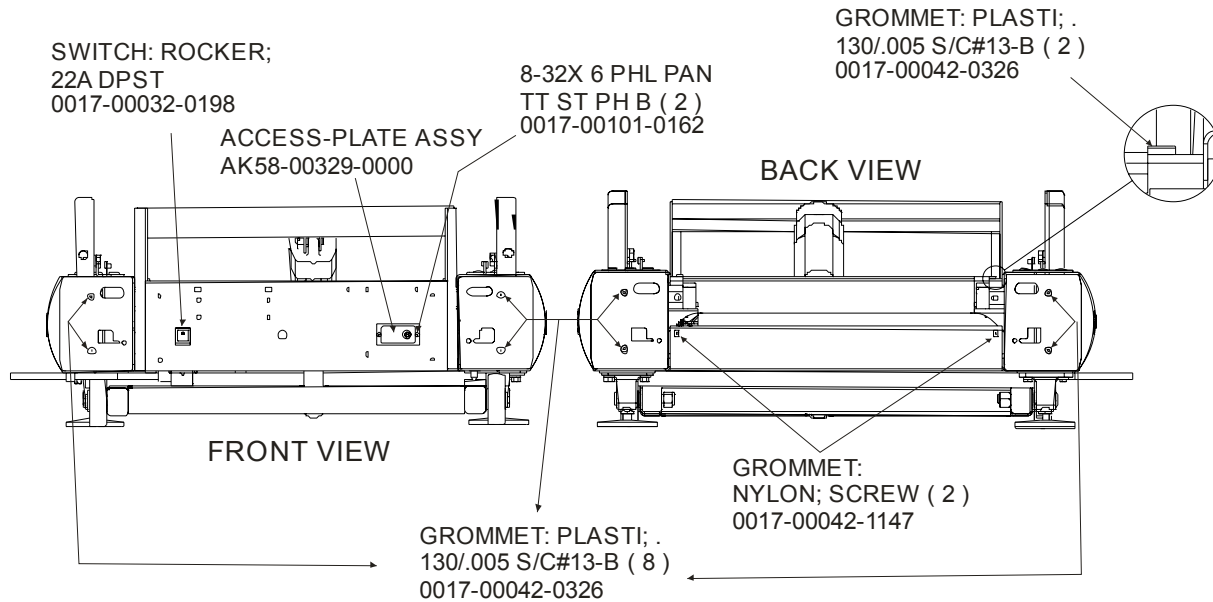
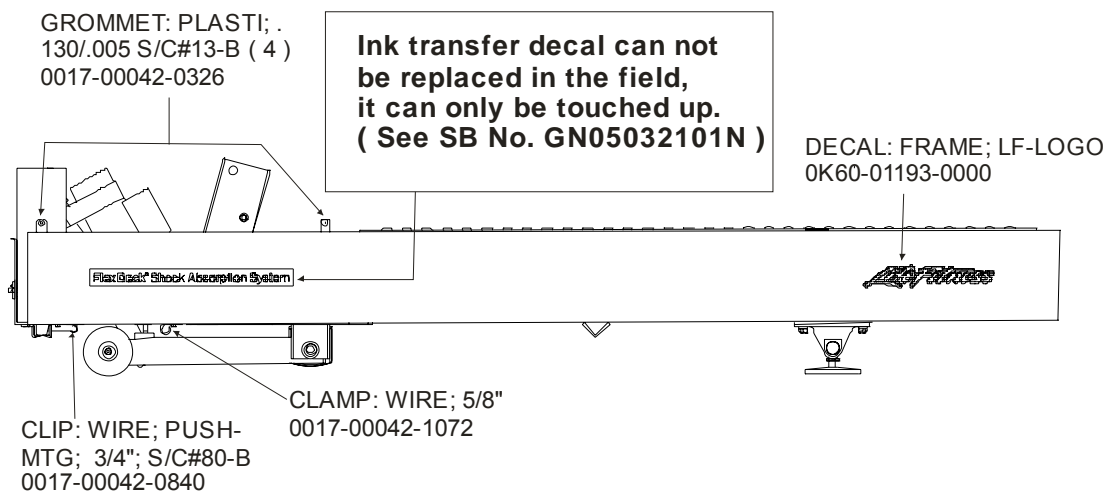
ARCTIC SILVER 95TWEZ
Scuff Pad & Tinsel

95TWEZ-XXXX-07
S/N TSF100000 and up



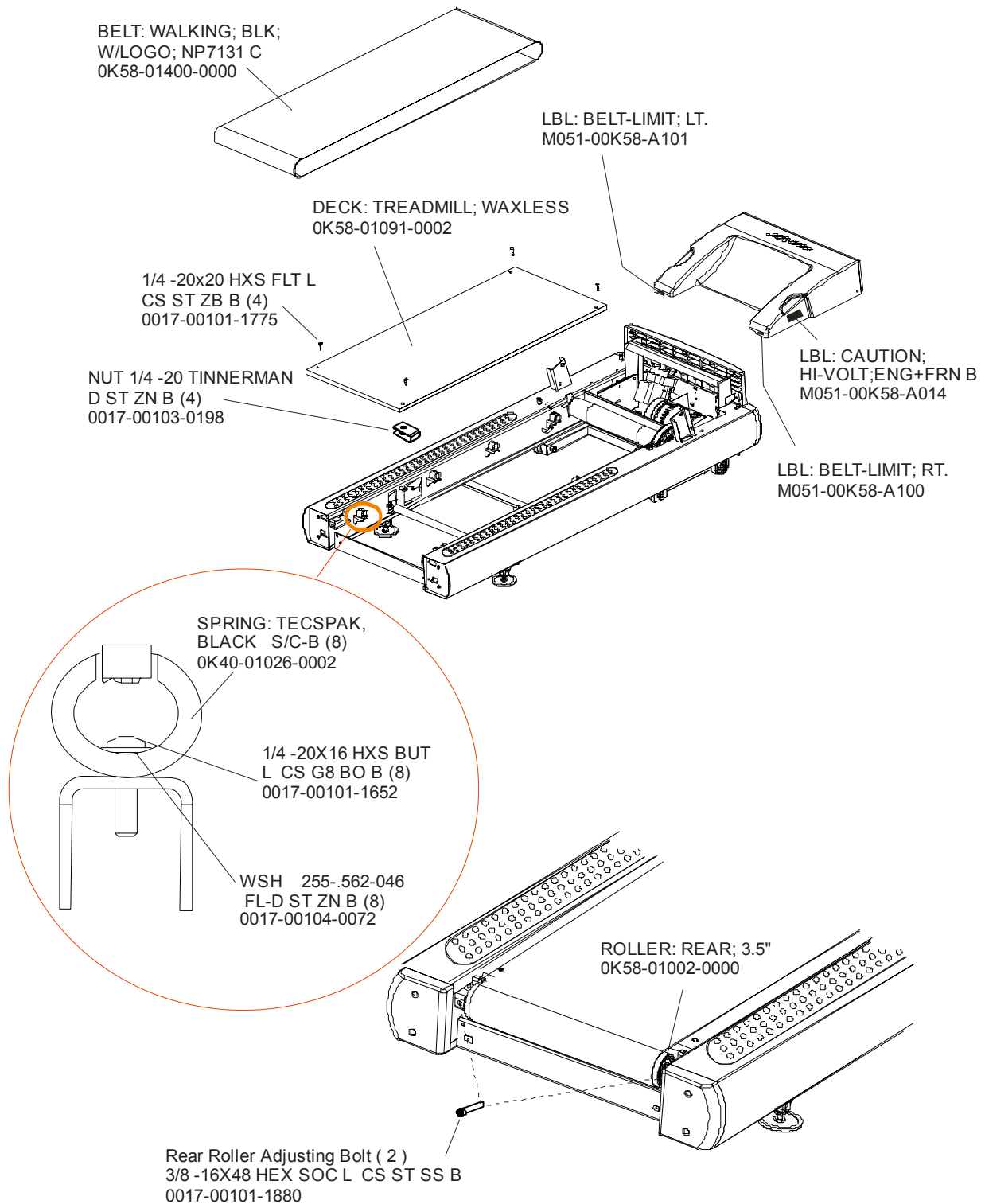
ARCTIC SILVER 95TWEZ
On-Off Switch, Access Plate & Grommets

95TWEZ-XXXX-07
S/N TSF100000 and up



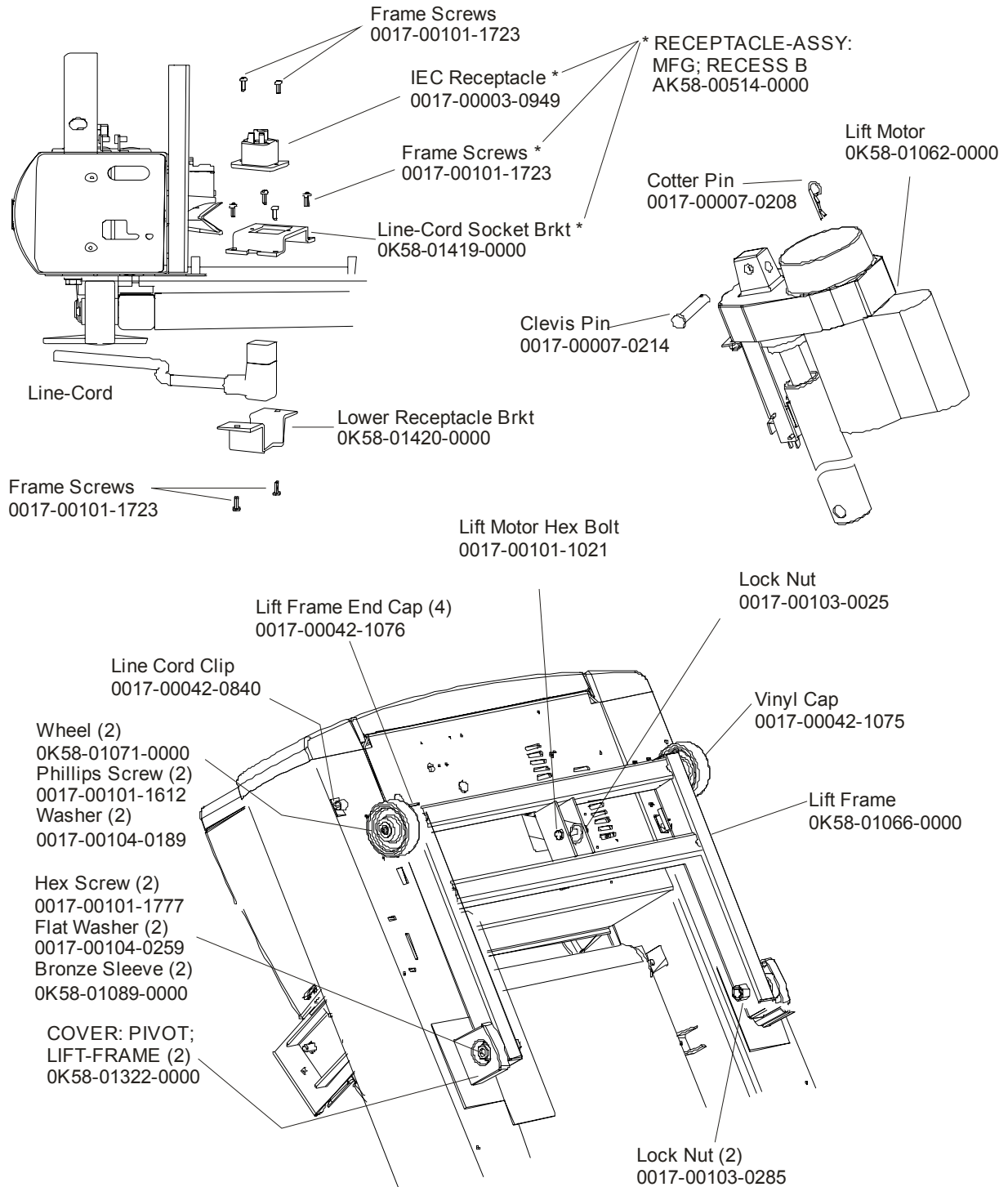
ARCTIC SILVER 95TWEZ
Belt, Deck & Rear Roller

95TWEZ-XXXX-07
S/N TSF100000 and up



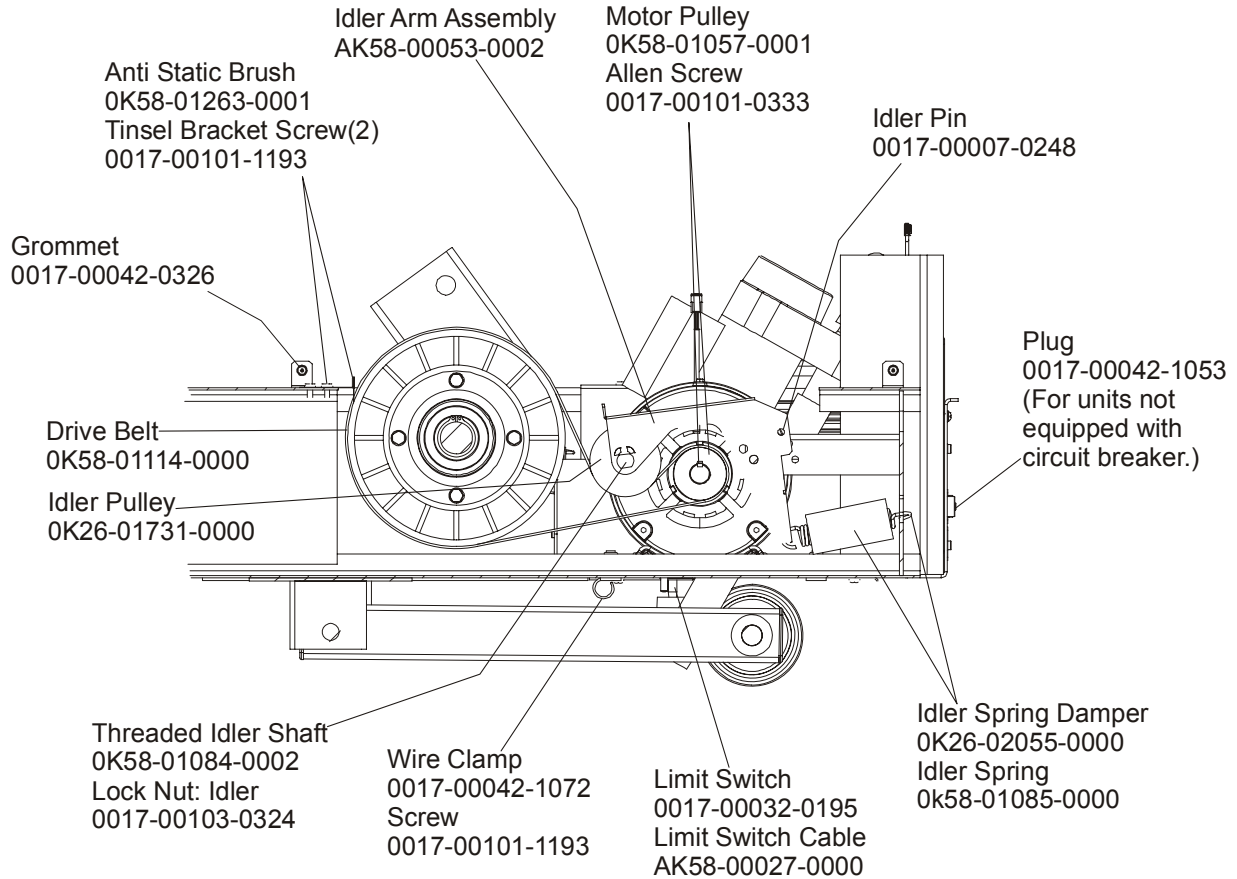
ARCTIC SILVER 95TWEZ
Lift Frame , Lift Motor & IEC Receptacle

95TWEZ-XXXX-07
S/N TSF100000 and up



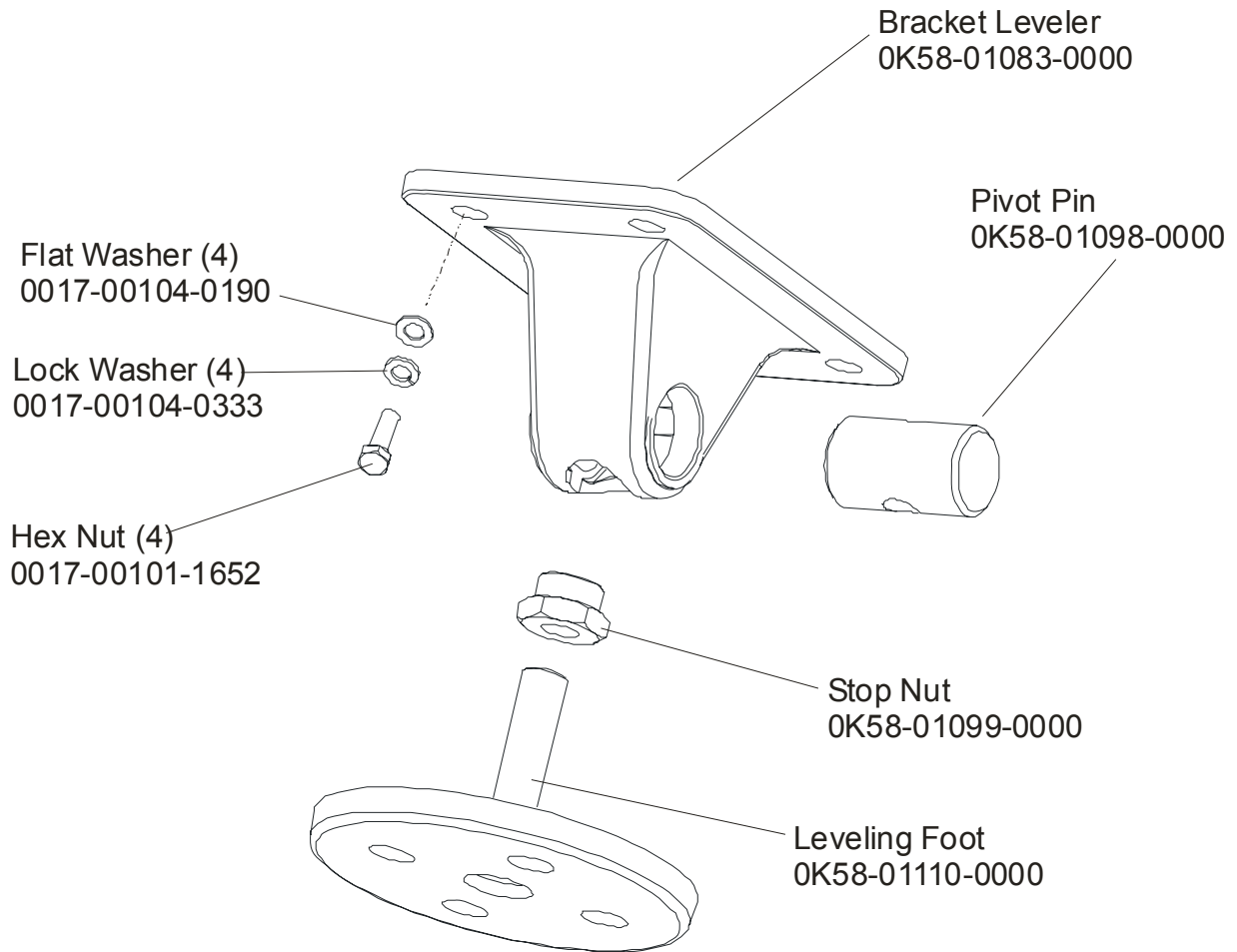
ARCTIC SILVER 95TWEZ
Idler Arm Assy.

95TWEZ-XXXX-07
S/N TSF100000 and up



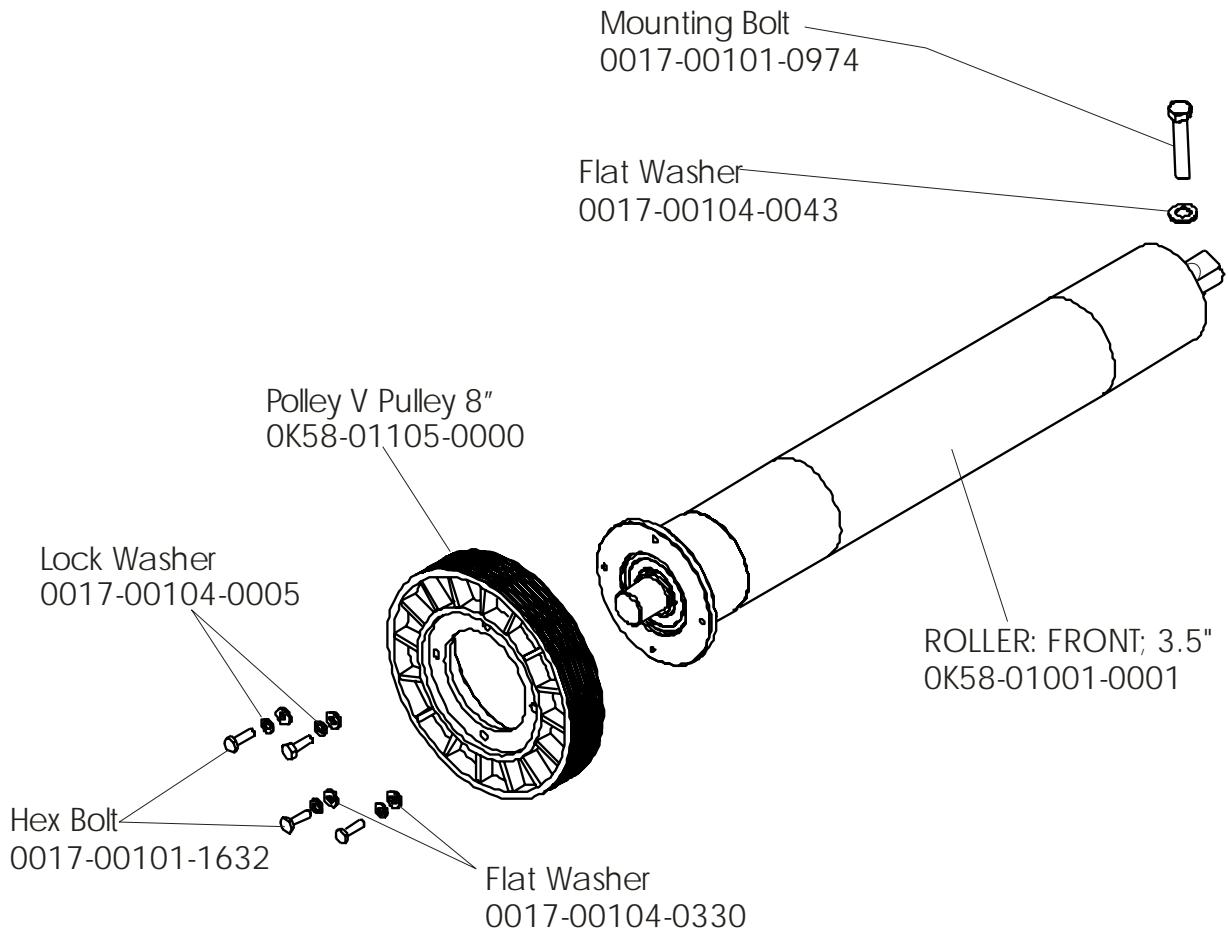
ARCTIC SILVER 95TWEZ
Leg Leveler Assembly - AK58-00370-0000

95TWEZ-XXXX-07
S/N TSF100000 and up



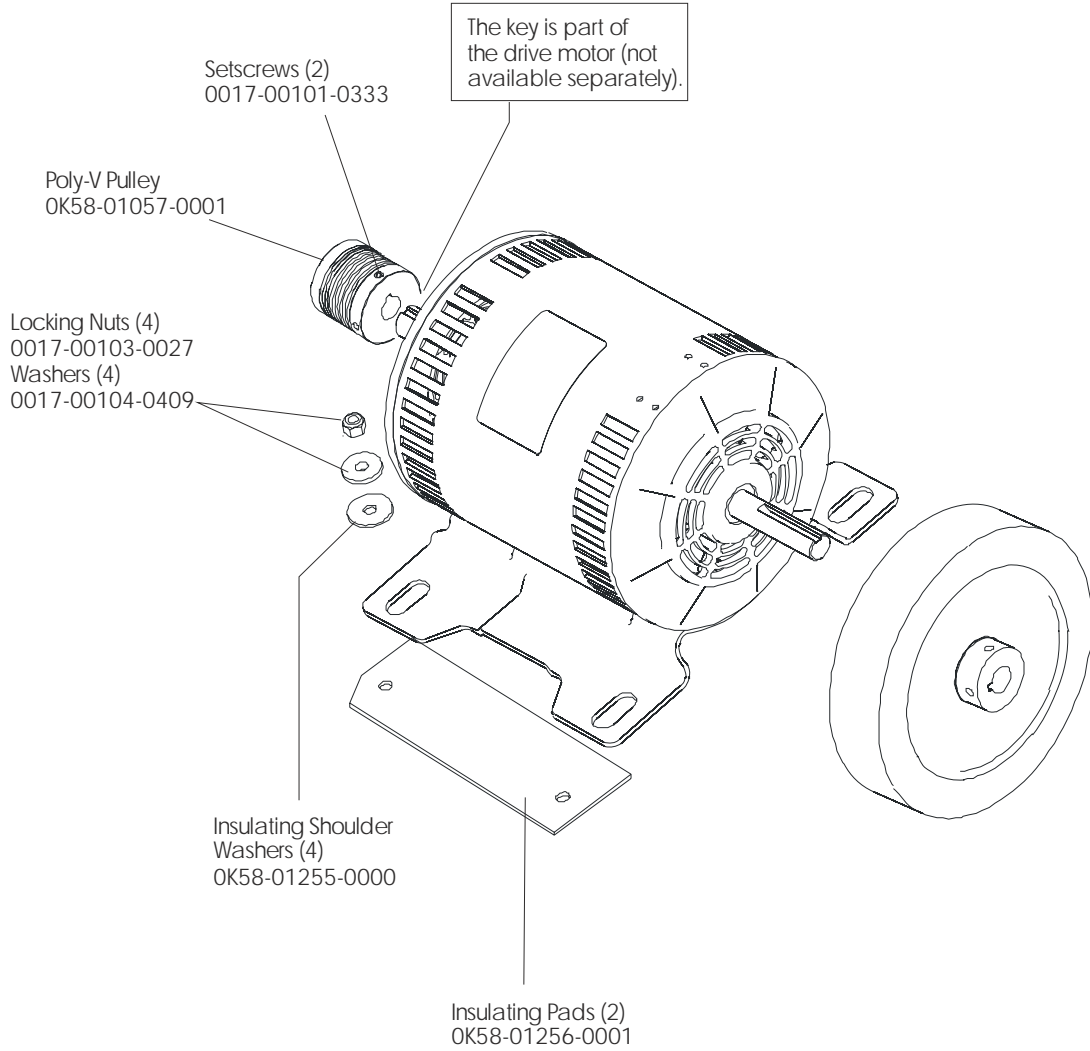
ARCTIC SILVER 95TWEZ
Front Roller Assy.- AK58-00066-0000

95TWEZ-XXXX-07
S/N TSF100000 and up



ARCTIC SILVER 95TWEZ
Drive Motor Assembly

95TWEZ-XXXX-07
S/N TSF100000 and up



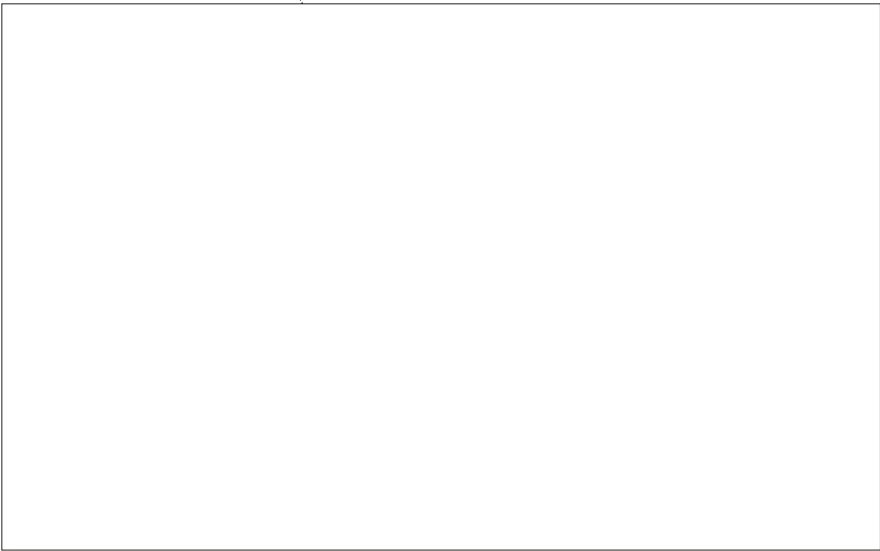
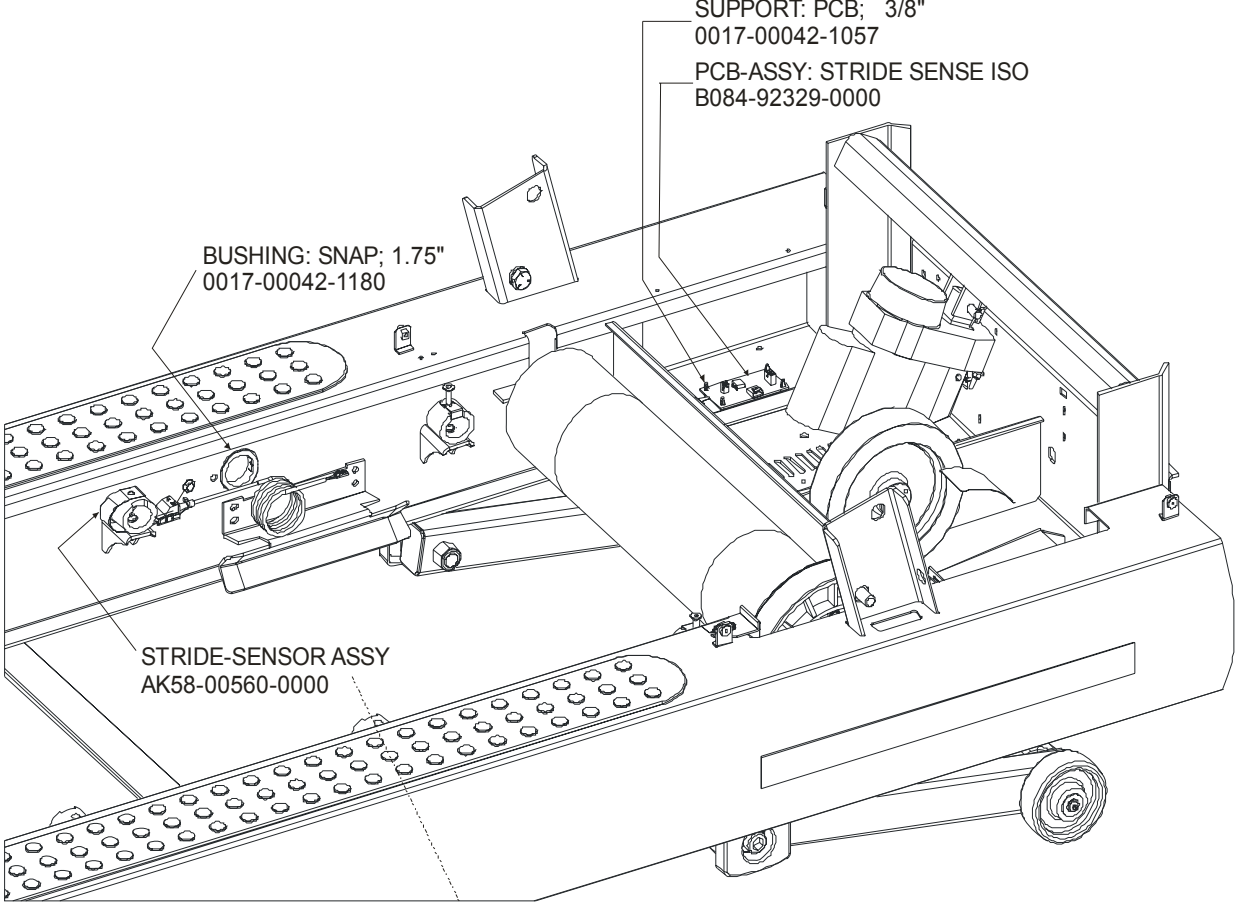
Description	Part Nos.	
	S/N TSF100000—TSF100416	S/N TSF100417 and up
Drive Motor Assembly	AK58-00171-0001 (dual cable)	OK58-01386-0004 (tapered shaft)
Cast Iron Flywheel	OK58-01092-0002	OK58-01092-0004
Flywheel Setscrews/Bolt	0017-00101-0975 (uses setscrews)	0017-00101-1885 (uses bolt)

Ref: technical bulletin TR07060101N

ARCTIC SILVER 95TWEZ

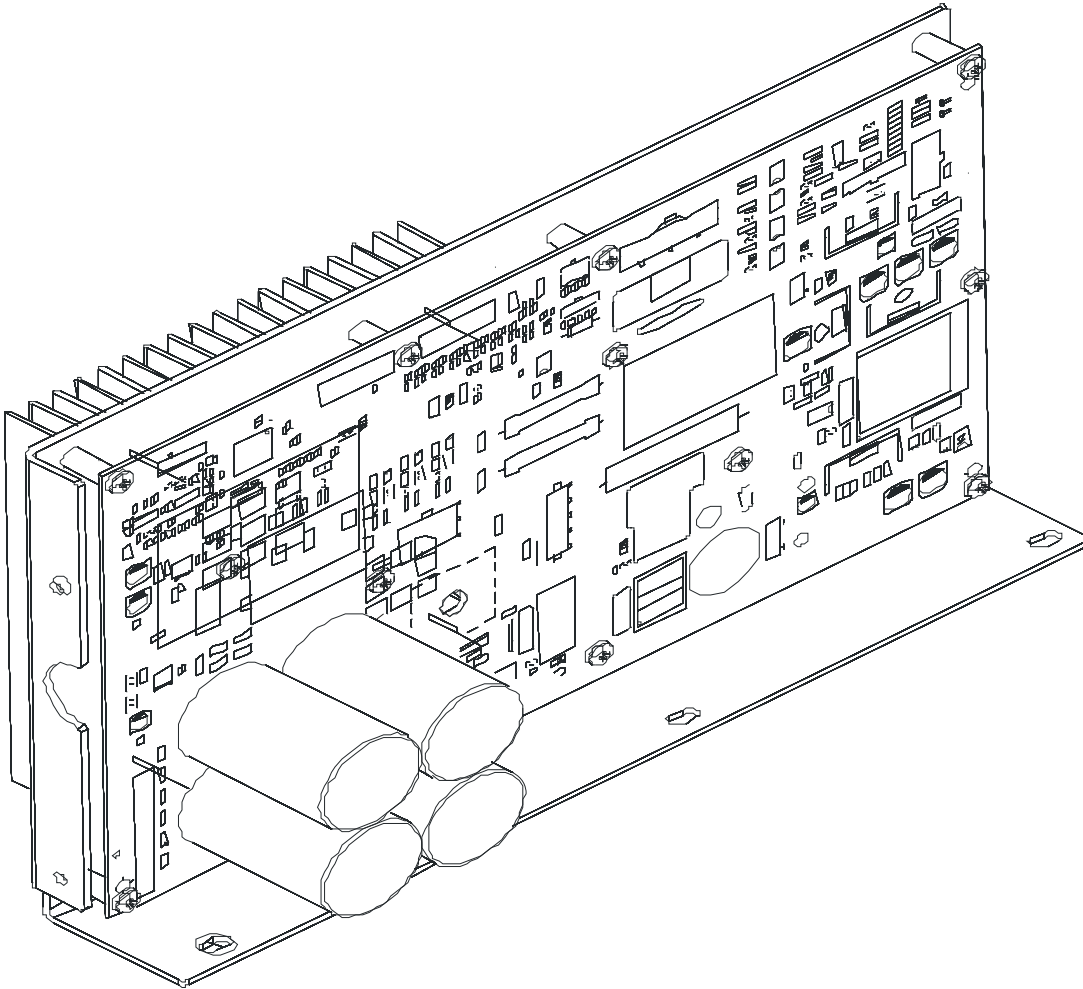
95TWEZ-XXXX-07

Stride Sensor Assy & Stride Sensor PCB Assy. S/N TSF100000 and up



ARCTIC SILVER 95TWEZ
DSP-Controller Assy

95TWEZ-XXXX-07
S/N TSF100000 and up



VOLTAGE	PART NUMBER	PART DESCRIPTION
100-120	GK58-00002-0118	KIT: SERV; MFG; DSP CONTROLLER 100-120; LED
200-240	GK58-00002-0120	KIT: SERV; MFG; DSP CONTROLLER 200-240; LED

ARCTIC SILVER 95TWEZ
Line-Cords & Line-Cord Options

95TWEZ-XXXX-07
S/N TSF100000 and up

MODEL #	MODEL DESCRIPTION	STANDARD LINE-CORDS
95TWEZ-0100-02	95TWEZ ENG/ENG 120/60 DOM	0017-00003-0974 LINE-CORD: R/A; 96"; W/RECP S/C-C
95TWEZ-0300-02	95TWEZ FRN/MET 120/60 DOM	
95TWEZ-0400-02	95TWEZ SPN/MET 120/60 DOM	
95TWEZ-0800-02	95TWEZ POR/MET 120/60 DOM	
95TWEZ-0103-02	95TWEZ ENG+MET 220/60 DOM	0017-00003-0781 LINE-CORD: R/A; 220V; USA D
95TWEZ-0105-02	95TWEZ ENG+MET 100/50 DOM	
95TWEZ-0106-02	95TWEZ ENG+MET 200/50 DOM	
95TWEZ-0705-02	95TWEZ JAP/MET 100/50 DOM	
95TWEZ-0706-02	95TWEZ JAP/MET 200/50 DOM	
95TWEZ-0101-02	95TWEZ ENG+MET 230/50 CON	0017-00003-0696 LINE-CORD: R/A; CEE7; 103" 10A 250V D
95TWEZ-0201-02	95TWEZ GER/MET 230/50 CON	
95TWEZ-0301-02	95TWEZ FRN/MET 230/50 CON	
95TWEZ-0401-02	95TWEZ SPN/MET 230/50 CON	
95TWEZ-0501-02	95TWEZ ITL/MET 230/50 CON	
95TWEZ-0601-02	95TWEZ DUT/MET 230/50 CON	
95TWEZ-0801-02	95TWEZ POR/MET 230/50 CON	
95TWEZ-1601-02	95TWEZ ENG/TUR 230/50 CON	0017-00003-0890 LINE-CORD: U.K; R/A
95TWEZ-0102-02	95TWEZ ENG+MET 240/50 UK	
95TWEZ-0109-02	95TWEZ ENG+MET 230/50 UK	0017-00003-0996 LINE-CORD: IEC; AUSTRALIAN; 230/50 C
95TWEZ-0104-02	95TWEZ ENG+MET 240V+ AUS	

OPTIONAL LINE-CORDS		
0017-00003-0947	LINE-CORD: 120V; 20A;	12'
0017-00003-0915	LINE-CORD: R/A 120V	8'
0017-00003-0980	LINE-CORD: R/A; NEMA 5-20 144"	12'
0017-00003-0981	LINE-CORD: R/A; W/PLUG 220/60	7.5'
0017-00003-0948	LINE-CORD: 220V; 15A;	12'

ARCTIC SILVER 95TWEZ
Cables for Units Between 0100 - 0104

95TWEZ-XXXX-07
S/N TSF100000 and up

PART NUMBER	PART DESCRIPTION	95TWEZ-XXXX-07				
		0100 120/60 DOM	0101 230/50 CON	0102 240/50 UK	0103 220/60 DOM	0104 240V+ CON
0017-00003-0626	CIRCUIT-BREAKER: 2A S/C#18-D		X	X	X	X
0017-00003-0898	FILTER: LINE; 10-AMP 4-SHT C		X	X		
0017-00003-0950	CIRCUIT-BREAKER: 4A S/C#18-D					
0017-00003-1015	FILTER: LINE; 20A 3-SHTS C	X			X	X
AK32-00020-0002	CBL-ASSY: COAX; 120" S/C-B	X	X	X	X	X
AK32-00078-0001	CBL-ASSY: PWR EXT; 120" S/C-C	X	X	X	X	X
AK32-00147-0001	CBL-ASSY: HEADPHONE/C-SAFE; LONG S/C-C	X	X	X	X	X
AK58-00027-0000	CBL-ASSY: ZERO-SWITCH C	X	X	X	X	X
AK58-00031-0000	CBL-ASSY: SIDE-CONSOLE C					
AK58-00032-0000	CBL-ASSY: USER SENSE PROX. C	X	X	X	X	X
AK58-00034-0001	CBL-ASSY: CONSOLE; PWR; UPR C	X	X	X	X	X
AK58-00036-0000	CBL-ASSY: EMERGENCY-STOP C	X	X	X	X	X
AK58-00041-0001	CBL-ASSY: H/R SENSORS C	X	X	X	X	X
AK58-00081-0000	CBL-ASSY: JUMPER; BLK; 4" B	X	X	X	X	X
AK58-00082-0000	CBL-ASSY: JUMPER; WHT; 6" B	X	X	X	X	X
AK58-00083-0000	CBL-ASSY: JUMPER; GR/YL; 5" B	X	X	X	X	X
AK58-00083-0001	CBL-ASSY: JUMPER; GR/YL; 7" B	X	X	X	X	X
AK58-00210-0000	XFRMR-BRKT ASSY: MFG. C		X	X	X	X
AK58-00224-0001	CBL-ASSY: MOV; FILTER C	X	X	X	X	X
AK58-00237-0000	CBL-ASSY: POLAR/E-STOP C	X	X	X	X	X
AK58-00263-0000	CBL-ASSY: HI-POT JUMPER B	X	X	X	X	X
AK58-00520-0000	CBL-ASSY: POWER; 100-200V C	X				
AK58-00522-0000	CBL-ASSY: JUMPER; POWER; LED-CONS B	X	X	X	X	X
AK58-00524-0000	CBL-ASSY: THERMAL ADAPTER B	X	X	X	X	X
AK58-00596-0001	CBL-ASSY: POWER; 230-240V; LED; S/C-C		X	X	X	X
AK58-00597-0000	CBL-ASSY: EXT ISO SENSOR C	X	X	X	X	X
AK58-00598-0000	CBL-ASSY: ISO POWER C	X	X	X	X	X

ARCTIC SILVER 95TWEZ
Cables for Units Between 0105 - 0300

95TWEZ-XXXX-07
S/N TSF100000 and up

PART NUMBER	PART DESCRIPTION	95TWEZ-XXXX-07				
		0105 100/50 DOM	0106 200/50 DOM	0109 230/50 CON	0201 230/50 CON	0300 120/60 DOM
0017-00003-0626	CIRCUIT-BREAKER: 2A S/C#18-D		X	X	X	
0017-00003-0898	FILTER: LINE; 10-AMP 4-SHT C			X	X	
0017-00003-0950	CIRCUIT-BREAKER: 4A S/C#18-D	X				
0017-00003-1015	FILTER: LINE; 20A 3-SHTS C	X	X			X
AK32-00020-0002	CBL-ASSY: COAX; 120" S/C-B	X	X	X	X	X
AK32-00078-0001	CBL-ASSY: PWR EXT; 120" S/C-C	X	X	X	X	X
AK32-00147-0001	CBL-ASSY: HEADPHONE/C-SAFE; LONG S/C-C	X	X	X	X	X
AK58-00027-0000	CBL-ASSY: ZERO-SWITCH C	X	X	X	X	X
AK58-00031-0000	CBL-ASSY: SIDE-CONSOLE C					
AK58-00032-0000	CBL-ASSY: USER SENSE PROX. C	X	X	X	X	X
AK58-00034-0001	CBL-ASSY: CONSOLE; PWR; UPR C	X	X	X	X	X
AK58-00036-0000	CBL-ASSY: EMERGENCY-STOP C	X	X	X	X	X
AK58-00041-0001	CBL-ASSY: H/R SENSORS C	X	X	X	X	X
AK58-00081-0000	CBL-ASSY: JUMPER; BLK; 4" B	X	X	X	X	X
AK58-00082-0000	CBL-ASSY: JUMPER; WHT; 6" B	X	X	X	X	X
AK58-00083-0000	CBL-ASSY: JUMPER; GR/YL; 5" B	X	X	X	X	X
AK58-00083-0001	CBL-ASSY: JUMPER; GR/YL; 7" B	X	X	X	X	X
AK58-00210-0000	XFRMR-BRKT ASSY: MFG. C		X	X	X	
AK58-00224-0001	CBL-ASSY: MOV; FILTER C	X	X	X	X	X
AK58-00237-0000	CBL-ASSY: POLAR/E-STOP C	X	X	X	X	X
AK58-00263-0000	CBL-ASSY: HI-POT JUMPER B	X	X	X	X	X
AK58-00520-0000	CBL-ASSY: POWER; 100-200V C	X				X
AK58-00522-0000	CBL-ASSY: JUMPER; POWER; LED-CONS B	X	X	X	X	X
AK58-00524-0000	CBL-ASSY: THERMAL ADAPTER B	X	X	X	X	X
AK58-00596-0001	CBL-ASSY: POWER; 230-240V; LED; S/C-C		X	X	X	
AK58-00597-0000	CBL-ASSY: EXT ISO SENSOR C	X	X	X	X	X
AK58-00598-0000	CBL-ASSY: ISO POWER C	X	X	X	X	X

ARCTIC SILVER 95TWEZ
Cables for Units Between 0301 - 0601

95TWEZ-XXXX-07
S/N TSF100000 and

PART NUMBER	PART DESCRIPTION	95TWEZ-XXXX-07				
		0301 230/50 CON	0400 120/60 DOM	0401 230/50 CON	0501 230/50 CON	0601 230/50 CON
0017-00003-0626	CIRCUIT-BREAKER: 2A S/C#18-D	X		X	X	X
0017-00003-0898	FILTER: LINE; 10-AMP 4-SHT C	X		X	X	X
0017-00003-0950	CIRCUIT-BREAKER: 4A S/C#18-D					
0017-00003-1015	FILTER: LINE; 20A 3-SHTS C		X			
AK32-00020-0002	CBL-ASSY: COAX; 120" S/C-B	X	X	X	X	X
AK32-00078-0001	CBL-ASSY: PWR EXT; 120" S/C-C	X	X	X	X	X
AK32-00147-0001	CBL-ASSY: HEADPHONE/C-SAFE; LONG S/C-C	X	X	X	X	X
AK58-00027-0000	CBL-ASSY: ZERO-SWITCH C	X	X	X	X	X
AK58-00031-0000	CBL-ASSY: SIDE-CONSOLE C					
AK58-00032-0000	CBL-ASSY: USER SENSE PROX. C	X	X	X	X	X
AK58-00034-0001	CBL-ASSY: CONSOLE; PWR; UPR C	X	X	X	X	X
AK58-00036-0000	CBL-ASSY: EMERGENCY-STOP C	X	X	X	X	X
AK58-00041-0001	CBL-ASSY: H/R SENSORS C	X	X	X	X	X
AK58-00081-0000	CBL-ASSY: JUMPER; BLK; 4" B	X	X	X	X	X
AK58-00082-0000	CBL-ASSY: JUMPER; WHT; 6" B	X	X	X	X	X
AK58-00083-0000	CBL-ASSY: JUMPER; GR/YL; 5" B	X	X	X	X	X
AK58-00083-0001	CBL-ASSY: JUMPER; GR/YL; 7" B	X	X	X	X	X
AK58-00210-0000	XFRMR-BRKT ASSY: MFG. C	X		X	X	X
AK58-00224-0001	CBL-ASSY: MOV; FILTER C	X	X	X	X	X
AK58-00237-0000	CBL-ASSY: POLAR/E-STOP C	X	X	X	X	X
AK58-00263-0000	CBL-ASSY: HI-POT JUMPER B	X	X	X	X	X
AK58-00520-0000	CBL-ASSY: POWER; 100-200V C		X			
AK58-00522-0000	CBL-ASSY: JUMPER; POWER; LED-CONS B	X	X	X	X	X
AK58-00524-0000	CBL-ASSY: THERMAL ADAPTER B	X	X	X	X	X
AK58-00596-0001	CBL-ASSY: POWER; 230-240V; LED; S/C-C	X		X	X	X
AK58-00597-0000	CBL-ASSY: EXT ISO SENSOR C	X	X	X	X	X
AK58-00598-0000	CBL-ASSY: ISO POWER C	X	X	X	X	X

ARCTIC SILVER 95TWEZ
Cables for Units Between 0705 - 1601

95TWEZ-XXXX-07
S/N TSF100000 and up

PART NUMBER	PART DESCRIPTION	95TWEZ-XXXX-07				
		0705 100/50 DOM	0706 200/50 DOM	0800 120/50 DOM	0801 230/50 CON	1601 230/50 CON
0017-00003-0626	CIRCUIT-BREAKER: 2A S/C#18-D		X		X	X
0017-00003-0898	FILTER: LINE; 10-AMP 4-SHT C				X	X
0017-00003-0950	CIRCUIT-BREAKER: 4A S/C#18-D					
0017-00003-1015	FILTER: LINE; 20A 3-SHTS C	X	X	X		
AK32-00020-0002	CBL-ASSY: COAX; 120" S/C-B	X	X	X	X	X
AK32-00078-0001	CBL-ASSY: PWR EXT; 120" S/C-C	X	X	X	X	X
AK32-00147-0001	CBL-ASSY: HEADPHONE/C-SAFE; LONG S/C-C	X	X	X	X	X
AK58-00027-0000	CBL-ASSY: ZERO-SWITCH C	X	X	X	X	X
AK58-00031-0000	CBL-ASSY: SIDE-CONSOLE C	X	X			
AK58-00032-0000	CBL-ASSY: USER SENSE PROX. C	X	X	X	X	X
AK58-00034-0001	CBL-ASSY: CONSOLE; PWR; UPR C	X	X	X	X	X
AK58-00036-0000	CBL-ASSY: EMERGENCY-STOP C	X	X	X	X	X
AK58-00041-0001	CBL-ASSY: H/R SENSORS C	X	X	X	X	X
AK58-00081-0000	CBL-ASSY: JUMPER; BLK; 4" B	X	X	X	X	X
AK58-00082-0000	CBL-ASSY: JUMPER; WHT; 6" B	X	X	X	X	X
AK58-00083-0000	CBL-ASSY: JUMPER; GR/YL; 5" B	X	X	X	X	X
AK58-00083-0001	CBL-ASSY: JUMPER; GR/YL; 7" B	X	X	X	X	X
AK58-00210-0000	XFRMR-BRKT ASSY: MFG. C		X		X	X
AK58-00224-0001	CBL-ASSY: MOV; FILTER C	X	X	X	X	X
AK58-00237-0000	CBL-ASSY: POLAR/E-STOP C	X	X	X	X	X
AK58-00263-0000	CBL-ASSY: HI-POT JUMPER B	X	X	X	X	X
AK58-00520-0000	CBL-ASSY: POWER; 100-200V C	X		X		
AK58-00522-0000	CBL-ASSY: JUMPER; POWER; LED-CONS B	X	X	X	X	X
AK58-00524-0000	CBL-ASSY: THERMAL ADAPTER B	X	X	X	X	X
AK58-00596-0001	CBL-ASSY: POWER; 230-240V; LED; S/C-C		X		X	X
AK58-00597-0000	CBL-ASSY: EXT ISO SENSOR C	X	X	X	X	X
AK58-00598-0000	CBL-ASSY: ISO POWER C	X	X	X	X	X