

Activate Series Treadmill

OST-XXXXX-XX

Parts Manual

EF1EH

Table of Contents

Miscellaneous	2
Console Assembly (CN)	3
Drive Motor (DM)	5
Drive Motor Parts	5
Main Drive System and Miscellaneous Components	6
Base Frame Electronics (BE)	7
Lift System (LS)	8
Lift Motor Assembly	8
Lift Frame Assembly	9
LifePulse and Activity Zone Assembly (LP)	10
Front Roller Assembly (FR)	11
Upper Frame Parts (UF)	12
Lower Frame (LF)	13
Covers, End Caps, Side-Mounted Components	13
Running Belt, Deck and Associated Components	14
Drive Belt, Anti-Static Brush, Misc.	15
Switches and Receptacles	16
Wiring	17

Miscellaneous

Miscellaneous Part Numbers

Part Number	Description	Where Used
Line Cords		
0017-00003-0974	LINE-CORD: R/A; 96"; W/RECP S/C-C	US / Spain / France / Japan
0017-00003-0781	LINE-CORD: R/A; 220V; USA D	US
0017-00003-0890	LINE-CORD: U.K; R/A D	UK
0017-00003-0696	LINE-CORD: R/A; CEE7; 103" 10A 250V D	Continental Europe and Asia (see Note 1)
0017-00003-1054	LINE-CORD: BRAZIL, IEC-C19	Brazil
0017-00003-1014	LINE-CORD: CHINESE; W/C-19 RECP C	China / Hong Kong
0017-00003-0781	LINE-CORD: R/A; 220V; USA D	Japan
0017-00003-0996	LINE-CORD: IEC; AUSTRALIAN; 230/50 C	Australia
Arctic Silver Touch-up Paint		
0017-00008-0204	Spray Can	
0017-00008-0205	.5 oz Bottle with Applicator	
0017-00008-0206	.33 oz Pen	

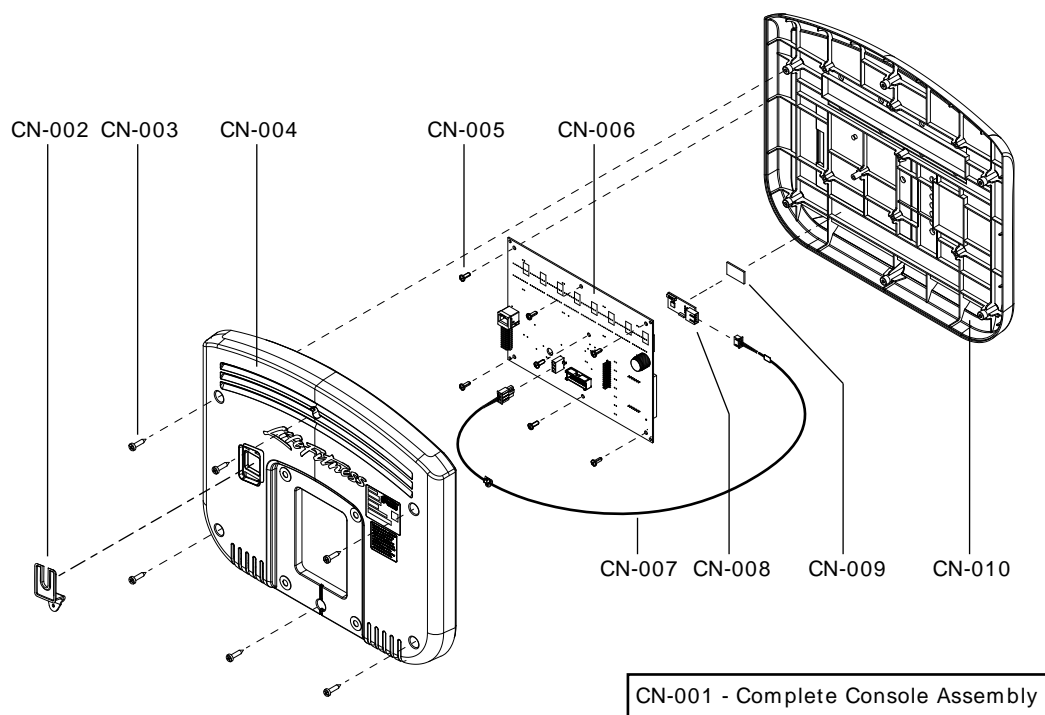
Note 1: Germany, France, Spain, Italy, Netherlands, Russia, Turkey, Korea, Portugal

Serial Number Table

Item Number	Alpha Code (Prefix)	Starting Serial Number	Ending Serial Number
OST-DOMLX-01	OPT	100000	
OST-DOMHX-01	OPT	100000	
OST-INTHX-01	OPT	100000	
OST-INTHC-01	OPT	100000	
OST-DOMHC-01	OPT	100000	
OST-DOMLC-01	OPT	100000	

Console Assembly (CN)

Exploded View



Parts List

Item	Alpha Code	Part Number	Description
CN-001	OPT	OLEDT-ENGEL-01N	Activate Treadmill <i>Complete Console</i> Dom Low Eng/Eng (see Note 2)
"	OPT	OLEDT-ENGEMH-01N	Activate Treadmill <i>Complete Console</i> Dom High Eng/Eng (see Note 2)
"	OPT	OLEDT-ENGMH-01N	Activate Treadmill <i>Complete Console</i> UK High Low Eng/Met (see Note 2)
"	OPT	OLEDT-EUEMH-01N	Activate Treadmill <i>Complete Console</i> Con High Eng/Met (see Note 2)
"	OPT	OLEDT-GERMH-01N	Activate Treadmill <i>Complete Console</i> Con High Ger/Met (see Note 2)
"	OPT	OLEDT-FRNMH-01N	Activate Treadmill <i>Complete Console</i> Con High Frn/Met (see Note 2)
"	OPT	OLEDT-SPNMH-01N	Activate Treadmill <i>Complete Console</i> Con High Spn/Met (see Note 2)
"	OPT	OLEDT-ITLMH-01N	Activate Treadmill <i>Complete Console</i> Con Con Itl/Met (see Note 2)
"	OPT	OLEDT-DUTMH-01N	Activate Treadmill <i>Complete Console</i> Con High Dut/Met (see Note 2)
"	OPT	OLCDT-RUSMH-01N	Activate Treadmill <i>Complete Console</i> Con High Rus/Met (see Note 2)
"	OPT	OLCDT-JAPML-01N	Activate Treadmill <i>Complete Console</i> Jap Low Jap/Met (see Note 2)
"	OPT	OLCDT-JAPMH-01N	Activate Treadmill <i>Complete Console</i> Jap High Jap/Met (see Note 2)
"	OPT	OLEDT-TURMH-01N	Activate Treadmill <i>Complete Console</i> Con High Tur/Met (see Note 2)
"	OPT	OLCDT-CHNMH-01N	Activate Treadmill <i>Complete Console</i> Chi High Chi/Met (see Note 2)
"	OPT	OLCDT-HOKMH-01N	Activate Treadmill <i>Complete Console</i> AHK UK High Chi/Met (see Note 2)
"	OPT	OLEDT-AUSMH-01N	Activate Treadmill <i>Complete Console</i> Aus High Aus/Met (see Note 2)
"	OPT	OLCDT-KORMH-01N	Activate Treadmill <i>Complete Console</i> Kor High Kor/Met (see Note 2)
"	OPT	OLEDT-PORMH-01N	Activate Treadmill <i>Complete Console</i> Por High Por/Met (see Note 2)
"	OPT	OLEDT-BRAEH-01N	Activate Treadmill <i>Complete Console</i> E BZ Eng/Eng (see Note 2)
"	OPT	OLEDT-FRNML-01N	Activate Treadmill <i>Complete Console</i> Dom Low Eng/Eng (see Note 2)
"	OPT	OLEDT-SPNML-01N	Activate Treadmill <i>Complete Console</i> Dom Low Spn/Met (see Note 2)

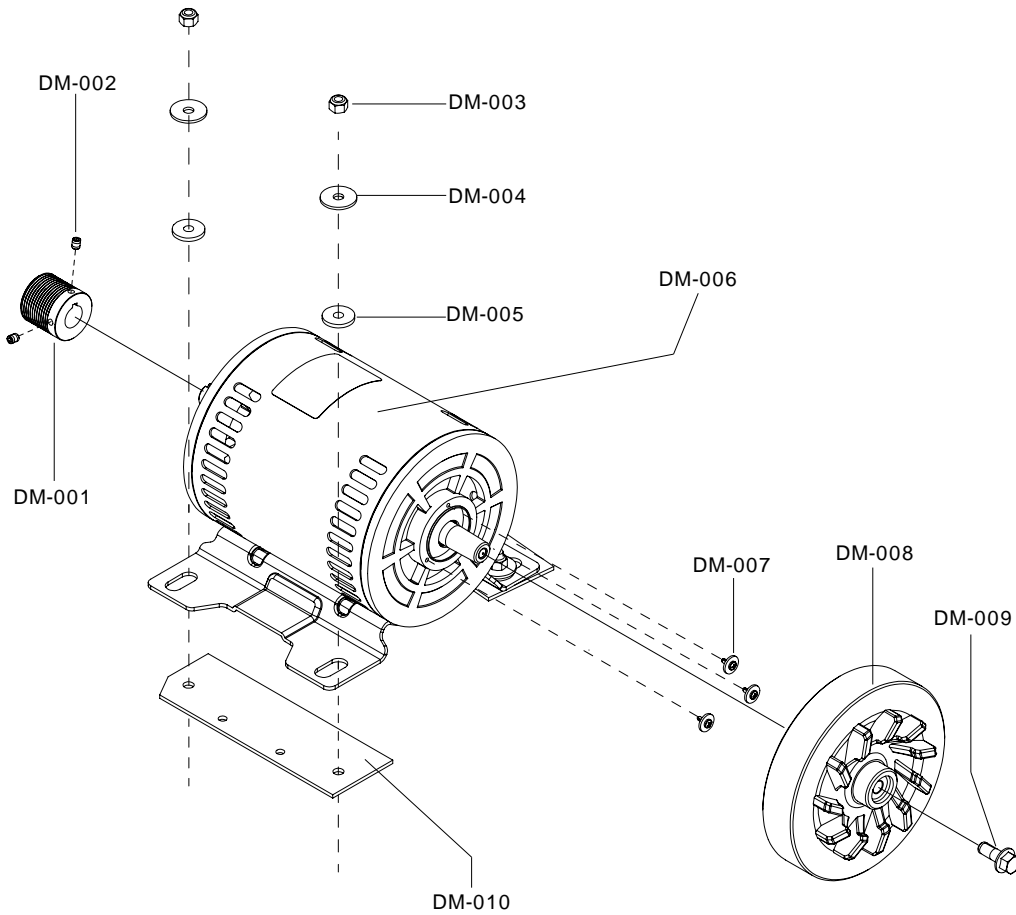
Note 1: Complete Consoles come with country specific Line Cords

Item	Alpha Code	Part Number	Description
CN-002	OPT	0K70-01008-0000	DOOR: CSAFE
CN-003	OPT	0017-00101-1242	VMI 8-18X12 PHL PAN AB ST BZ B (6)
CN-004	OPT	0K90-01002-0200	CONSOLE CASE:ACTIVATE SHDW -02XX
CN-005	OPT	0017-00101-1650	VMI 6-19X 6 PHL PAN PLT ST BZ B (4)
CN-006	OPT	A084-92379-0000	PCB-ASSY: ACTIVATE CONSOLE (LED)
"	OPT	A084-92380-0000	PCB-ASSY: ACTIVATE CONSOLE (CCD)
CN-007	OPT	AK69-00157-0001	POLAR CABLE ASSY
CN-008	OPT	118E-00001-0244	HEART RATE RECEIVER: CODED; RE07L
CN-009	OPT	0K39-01044-0001	TAPE: ADHESIVE; DBL-SIDED B
CN-010	OPT	GK90-00002-0000	English/English <i>Bezel Switch and Overlay Assy.</i>
"	OPT	GK90-00002-0002	French/Metric <i>Bezel Switch and Overlay Assy</i>
"	OPT	GK90-00002-0003	Spanish/Metric <i>Bezel Switch and Overlay Assy</i>
"	OPT	GK90-00002-0004	Italian/Metric <i>Bezel Switch and Overlay Assy</i>
"	OPT	GK90-00002-0005	Dutch/Metric <i>Bezel Switch and Overlay Assy</i>
"	OPT	GK90-00002-0006	Portuguese/Metric <i>Bezel Switch and Overlay Assy</i>
"	OPT	GK90-00002-0007	Turkish/Metric <i>Bezel Switch and Overlay Assy</i>
"	OPT	GK90-00002-0008	German/Metric <i>Bezel Switch and Overlay Assy</i>
"	OPT	GK90-00002-0009	China/Metric <i>Bezel Switch and Overlay Assy</i>
"	OPT	GK90-00002-0010	Korean/Metric <i>Bezel Switch and Overlay Assy</i>
"	OPT	GK90-00002-0011	Russian/Metric <i>Bezel Switch and Overlay Assy</i>
"	OPT	GK90-00002-0012	Japan/Metric <i>Bezel Switch and Overlay Assy</i>

Drive Motor (DM)

Drive Motor Parts

Exploded View

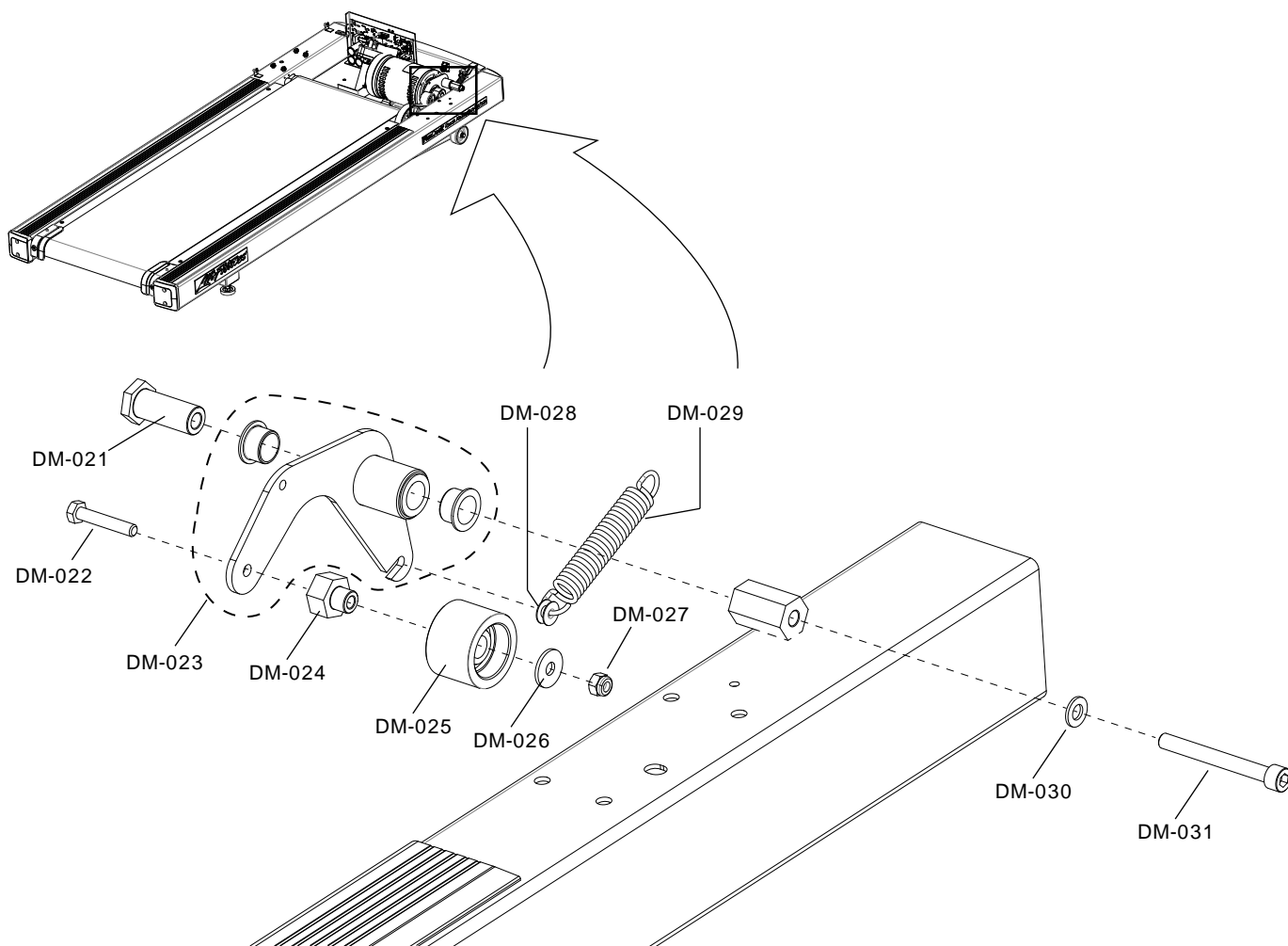


Parts List

Item	Alpha Code	Part Number	Description
DM-001	OPT	0K75-01025-0000	Pulley: Poly V; 1.616 OD.
DM-002	OPT	0017-00101-0333	Pulley Setscrew
DM-003	OPT	0017-00103-0027	Lock Nut (4)
DM-004	OPT	0017-00104-0409	Washer (4)
DM-005	OPT	0K58-01255-0000	Washer: Insulating B (4)
DM-006	OPT	GK75-00002-0001	Motor: Main Drive 230V/50HZ
DM-007	OPT	0017-00101-1926	VMI M3.5 x .60-6G6GX010 DIN PHL PAN L TT ST ZN
DM-008	OPT	0K65-01221-0000	Flywheel: Cast Iron; with Integral Fan
DM-009	OPT	0017-00101-1885	Flywheel Shaft Screw
DM-010	OPT	0K58-01256-0001	Pad: Insulating B (2)

Main Drive System and Miscellaneous Components

Exploded View

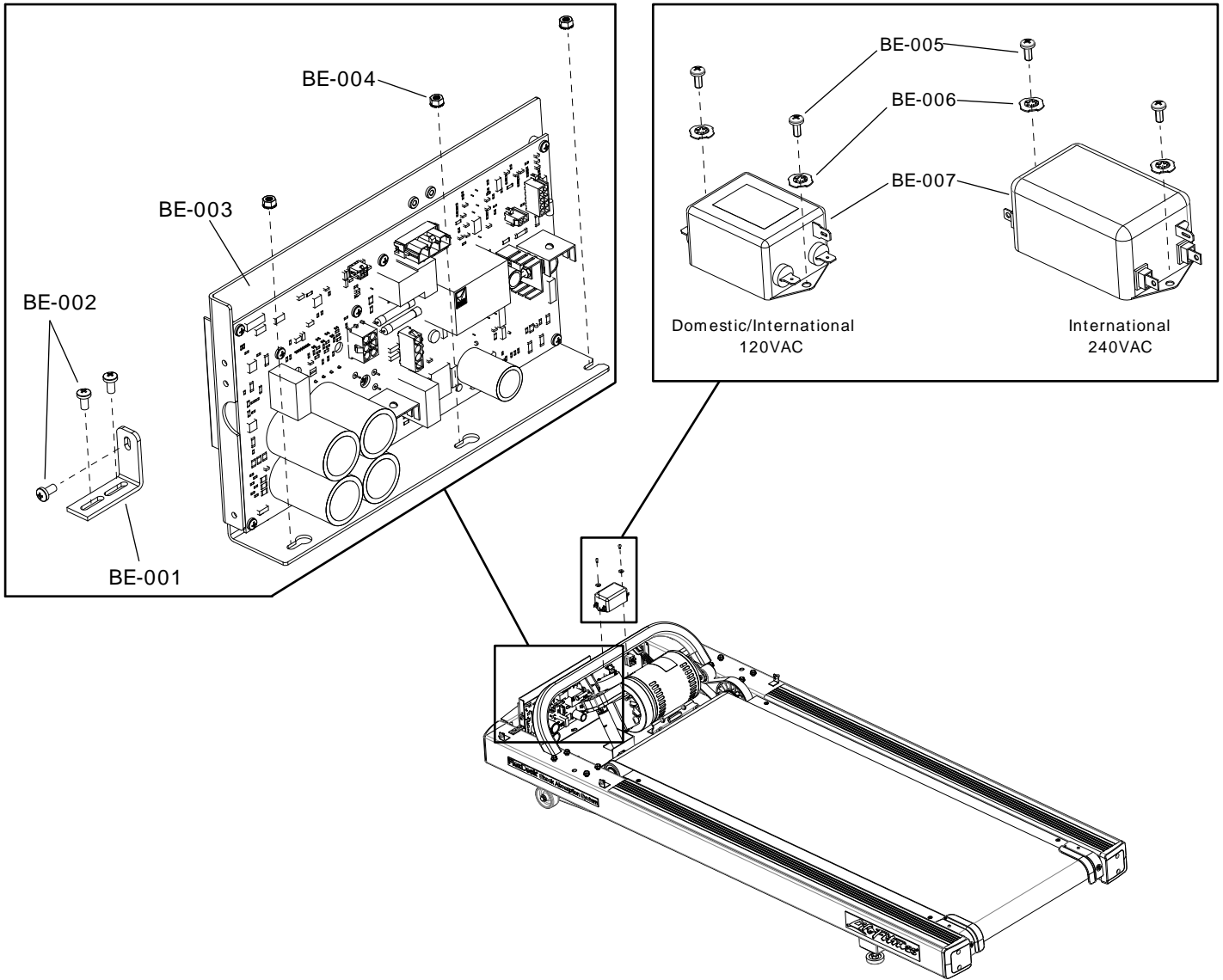


Parts List

Item	Alpha Code	Part Number	Description
DM-021	OPT	0K75-01016-0000	PIVOT SHAFT: IDLER
DM-022	OPT	0017-00101-2057	SCR: M8 X 1.25 6H6H X 45 DIN HEX L CS ST ZN
DM-023	OPT	MK75-00040-0000	ASSY: IDLER
DM-024	OPT	0K75-01015-0000	SHAFT: BRG
DM-025	OPT	MK75-00050-0000	ASSY: ROLLER BEARING
DM-026	OPT	0017-00104-0479	WSH:M8 9.12X 25.40X 2.30 DIN D FLAT ST ZB B
DM-027	OPT	0017-00103-0333	VMI NUT M 8X1.25-6H6H DIN L LOCKNUT ST ZN B
DM-028	OPT	0K75-01074-0000	BUSHING; ISOLATING
DM-029	OPT	0K58-01085-0000	SPRING: EXTENSION
DM-030	OPT	0017-00104-0470	VMI WSH:M 10.50X 20.00X 2.00 DIN D FLAT ST ZB B
DM-031	OPT	0017-00101-2061	SCR:M10 X 1.50 6G6G X 90 DIN H

Base Frame Electronics (BE)

Exploded View



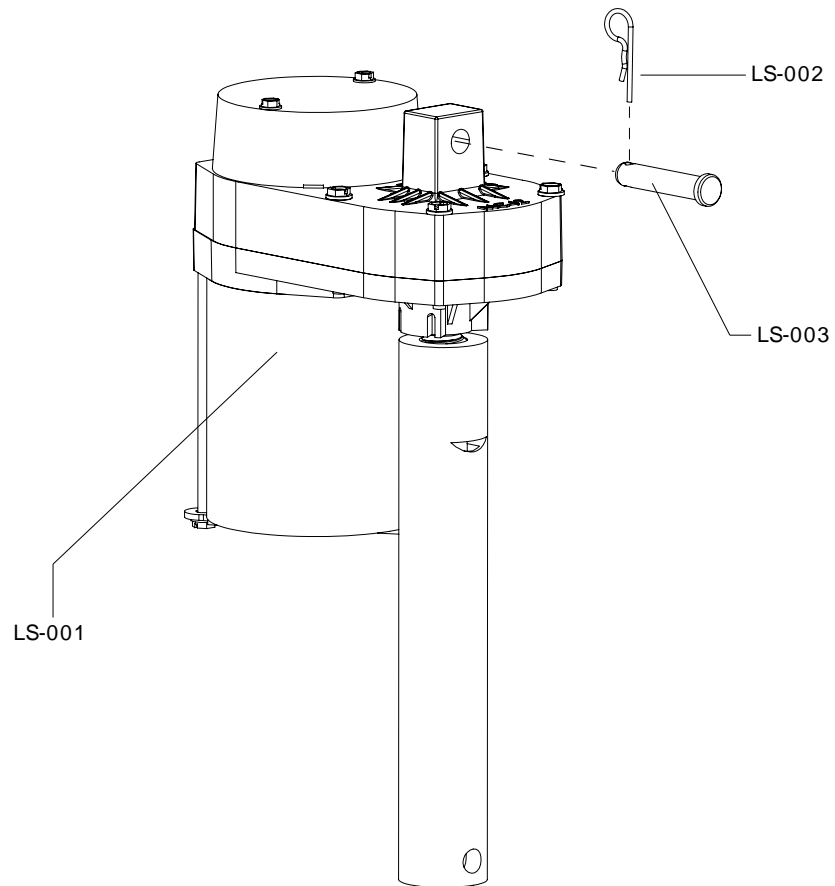
Parts List

Item	Alpha Code	Part Number	Description
BE-001	OPT	0K75-01031-0000	DSP Bracket Frame
BE-002	OPT	0017-00101-1193	Motor Controller Bracket Screw (3)
BE-003	OPT	AK75-00005-0000	120V AC MOTOR CONTROLLER
"	OPT	AK75-00005-0001	230V AC MOTOR CONTROLLER
BE-004	OPT	0017-00103-0350	Motor Controller Nut (3)
BE-005	OPT	0017-00101-0162	Line Filter Screw (2)
BE-006	OPT	0017-00104-0460	Live Filter Washer (2)
BE-007	OPT	0017-00003-1015	FILTER: LINE; 20A 3-SHTS C (Domestic)
"	OPT	0017-00003-0898	FILTER: LINE; 10-AMP 4-SHT C (International)

Lift System (LS)

Lift Motor Assembly

Exploded View

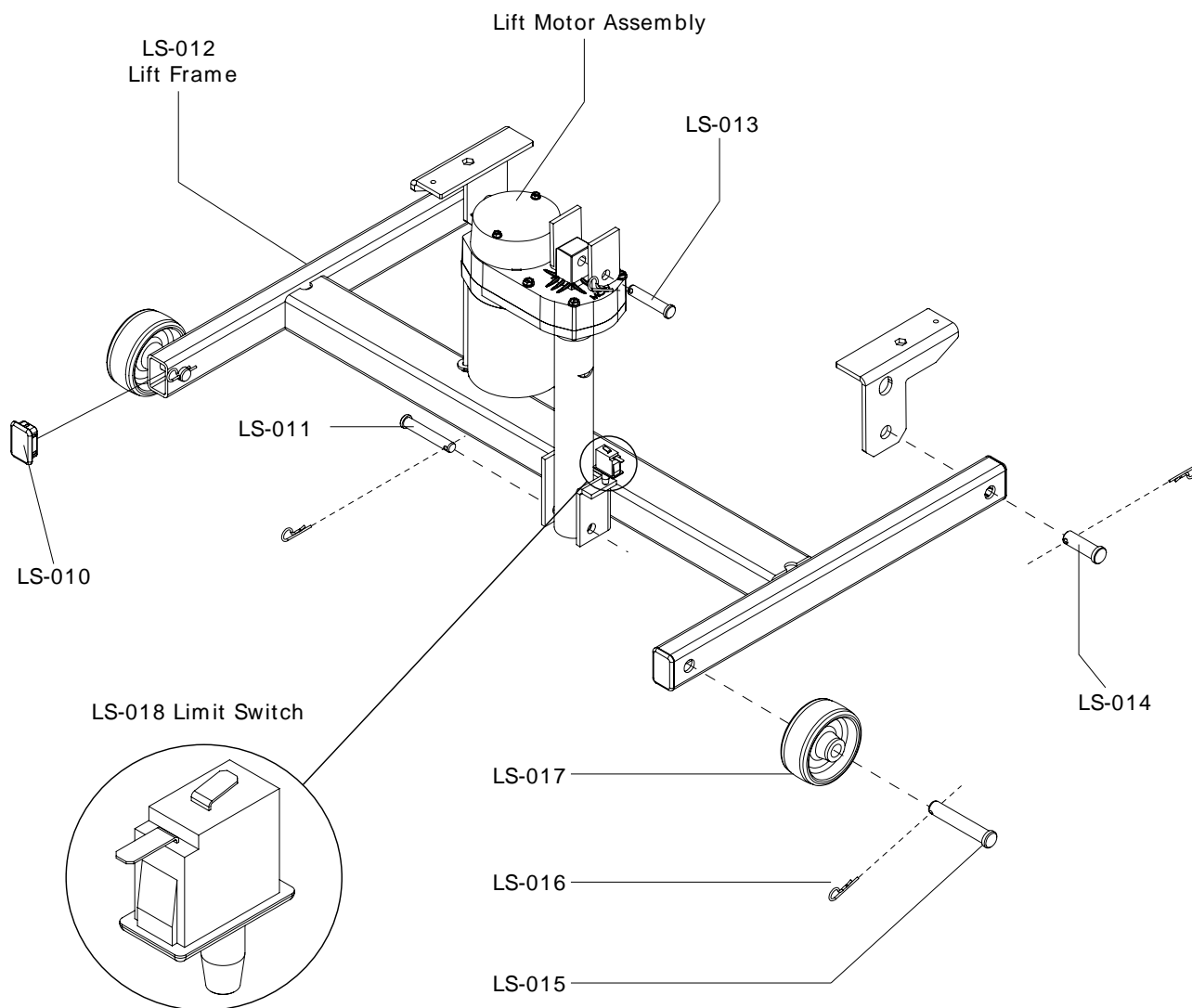


Parts List

Item	Alpha Code	Part Number	Description
LS-001	OPT	0K60-01094-0000	Lift Motor DOMESTIC 100V-120V
"	OPT	0K60-01166-0001	Lift Motor DOMESTIC 200V-240V
"	OPT	0K60-01166-0001	Lift Motor INTERNATIONAL 200V-240V
LS-002	OPT	3257101	PIN: .072 X 23 COTTER PIN ST ZN B
LS-003	OPT	0017-00007-0214	PIN: 3/8 X 28 CLEVIS ST ZN B

Lift Frame Assembly

Exploded View

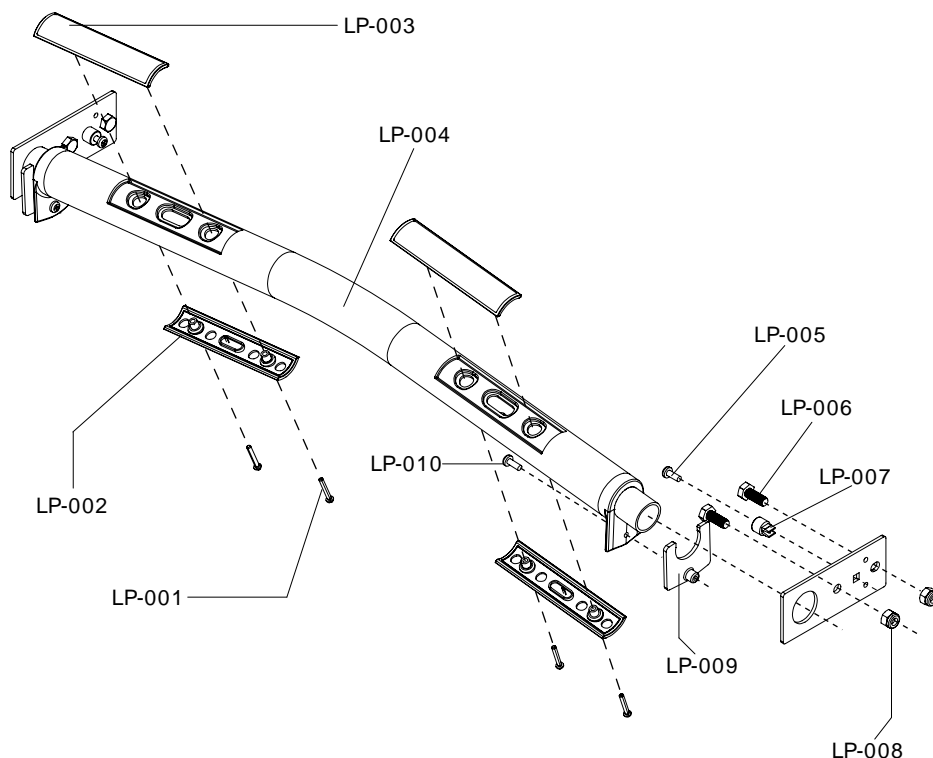


Parts List

Item	Alpha Code	Part Number	Description
LS-010	OPT	0K60-01092-0000	Cap: Tube-End C (4)
LS-011	OPT	0017-00007-0215	PIN:3/8 X36 CLEVIS ST ZN B
LS-012	OPT	AK60-00065-0000	Lift-Frame Assy: MFG. C
LS-013	OPT	0017-00007-0214	PIN:3/8 X28 CLEVIS ST ZN B
LS-014	OPT	0017-00007-0270	PIN:1/2 X24 CLEVIS ST BZ B
LS-015	OPT	0017-00007-0271	PIN:1/2 X44 CLEVIS ST BZ B (2)
LS-016	OPT	0017-00007-0208	PIN:.072X23 COTTER PIN ST ZN B
LS-017	OPT	0K60-01020-0000	Wheel: Lift-Arm B (2)
LS-018	OPT	0017-00032-0195	Switch: Momentary Action B

LifePulse and Activity Zone Assembly (LP)

Exploded View

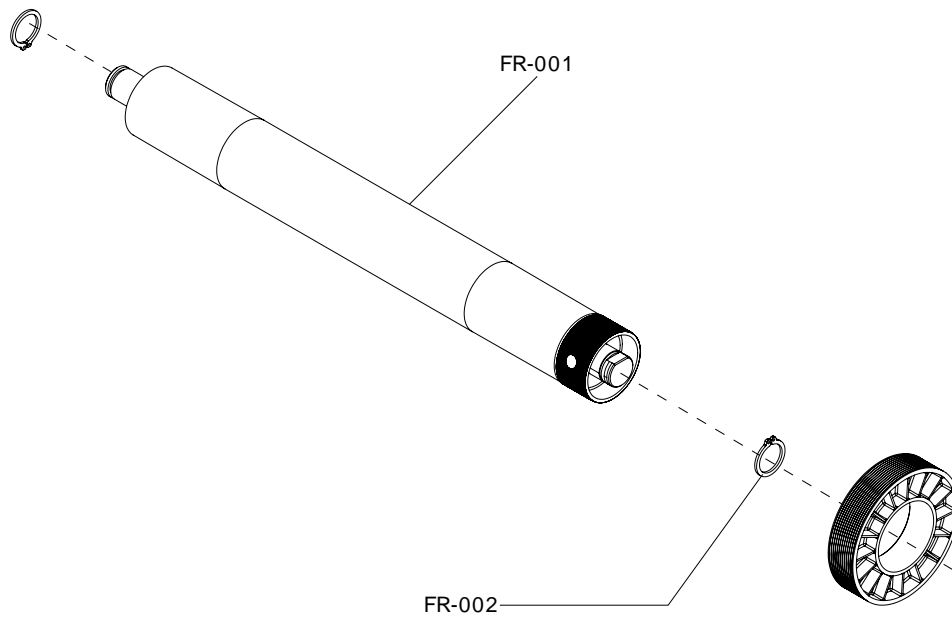


Parts List

Item	Alpha Code	Part Number	Description
LP-001	OPT	0017-00101-2054	Electrode Screw (4)
LP-002	OPT	AK60-00080-0203	Electrode: Purch; BTM S/C-C; SHDW-02XX (2)
LP-003	OPT	AK60-00079-0203	Electrode: Purch; TOP S/C-C; SHDW-02XX (2)
LP-004	OPT	MK75-01020-0000	Assy: Ergobar
LP-005	OPT	0017-00101-1796	Top Shroud Handrail Screw (2)
LP-006	OPT	0017-00101-1983	Ergo Bar Mounting Screw (4)
LP-007	OPT	0017-00042-1226	Grommet: Plastic #8, .375H
LP-008	OPT	0017-00103-0333	Ergo Bar Mounting Nut (4)
LP-009	OPT	0K75-01073-0000	ERGOBAR BACKING PLATE
LP-010	OPT	0017-00101-1981	10 X 8 PHL PAN 25 ST ZN

Front Roller Assembly (FR)

Exploded View

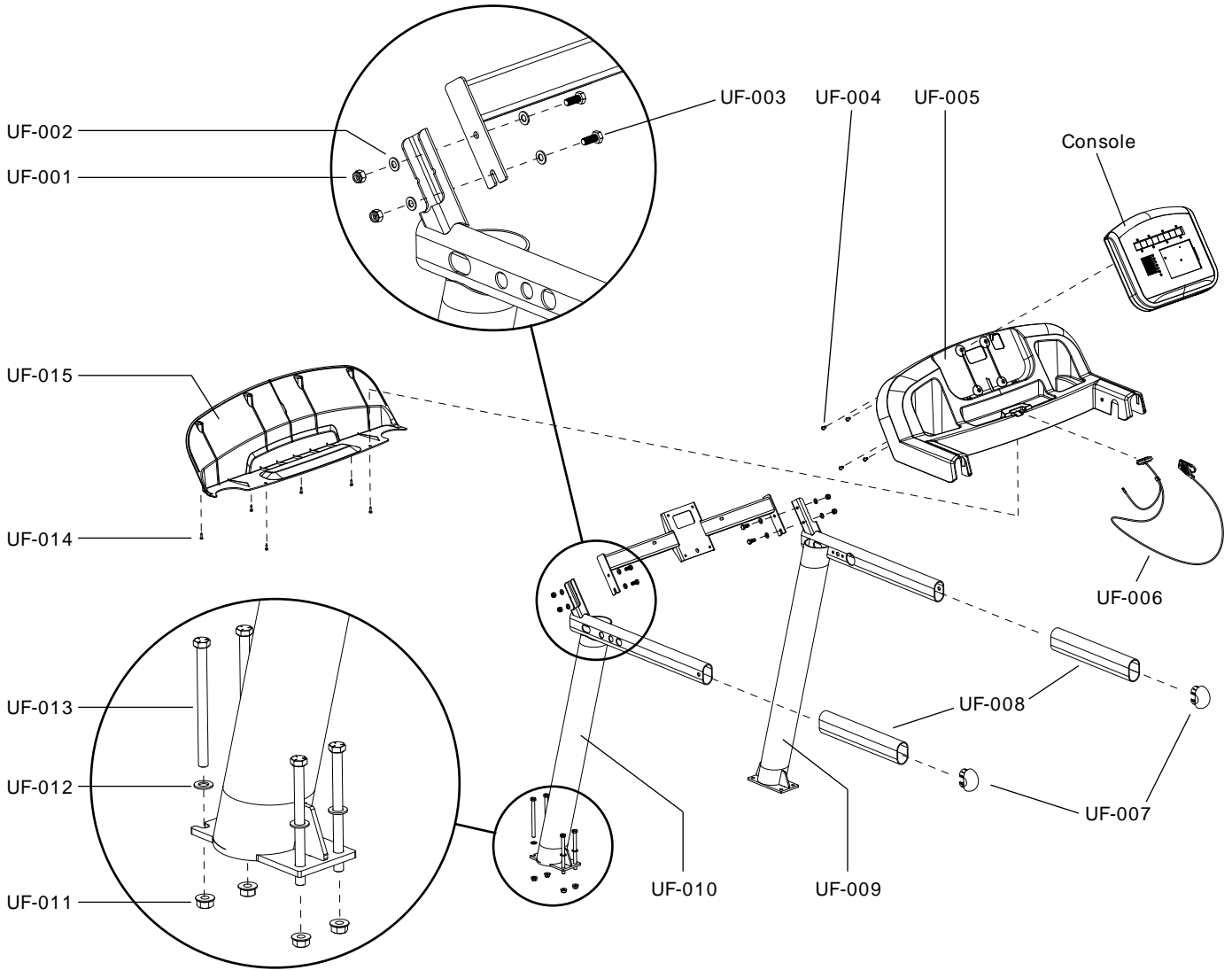


Parts List

Item	Alpha Code	Part Number	Description
FR-001	OPT	AK60-00029-0000	Front-Roller Assy: MFG B
FR-002	OPT	0017-00100-0184	Retaining Ring (2)

Upper Frame Parts (UF)

Exploded View



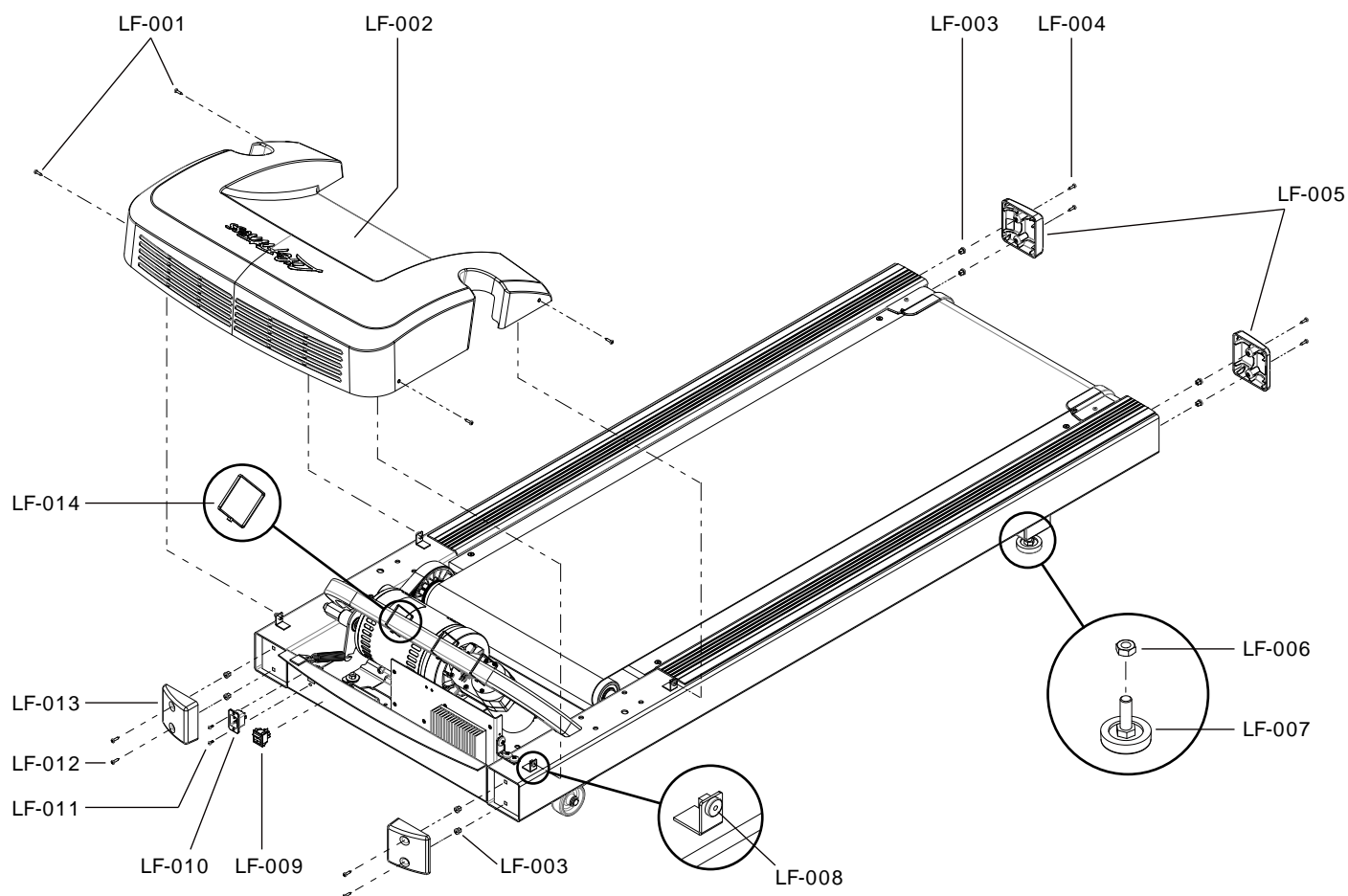
Parts List

Item	Alpha Code	Part Number	Description
UF-001	OPT	0017-00103-0333	Lock Nut (4)
UF-002	OPT	0017-00104-0469	Washer (8)
UF-003	OPT	0017-00101-1983	Bridge Bolt (4)
UF-004	OPT	0017-00101-2058	Console Mounting Screw (4)
UF-005	OPT	0K75-01020-0200	Tray: Console; Top
UF-006	OPT	AK65-00037-0002	Stop Switch and Tether Assembly
UF-007	OPT	0K75-01027-0200	Cap: Handrail, Shadow Gray (2)
UF-008	OPT	0K75-01011-0200	Grip: Handrail, Shadow Gray (2)
UF-009	OPT	0K75-01032-5102	Weldment: Upright Right, Arctic Silver
UF-010	OPT	0K75-01032-5101	Weldment: Upright Left, Arctic Silver
UF-011	OPT	0017-00103-0188	Flanged Lock Nut 3/8 -16 (8)
UF-012	OPT	0017-00104-0464	Upright Washer (8)
UF-013	OPT	0017-00101-1256	Upright Mounting Bolt 3/8 -16X80 (8)
UF-014	OPT	0017-00101-1796	Bottom Tray Screw (6)
UF-015	OPT	0K75-01021-0200	Tray: Console; Bottom

Lower Frame (LF)

Covers, End Caps, Side-Mounted Components

Exploded View

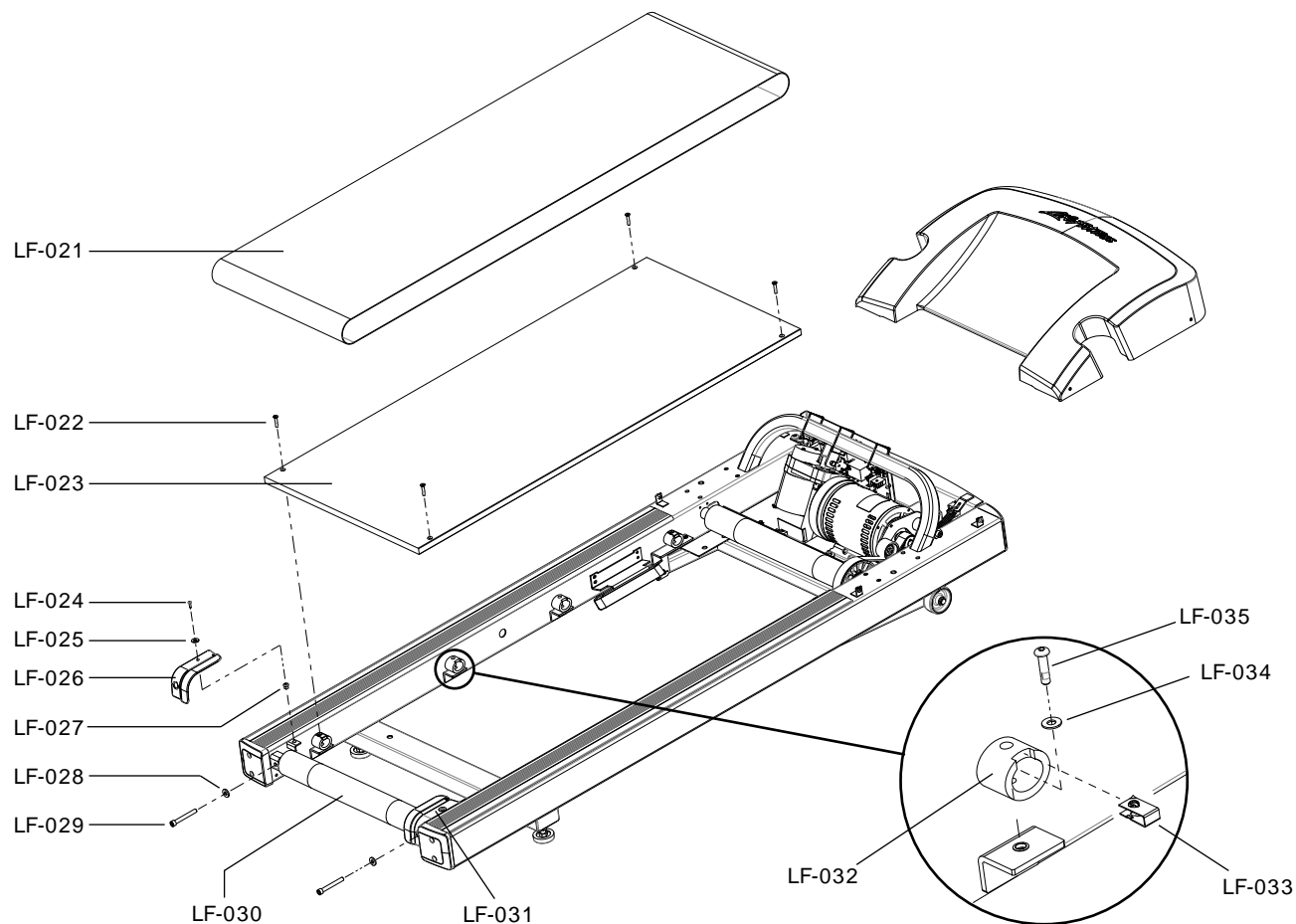


Parts List

Item	Alpha Code	Part Number	Description
LF-001	OPT	0017-00101-1796	Motor Cover Screw (4)
LF-002	OPT	0K75-01018-0200	Cover: Motor
LF-003	OPT	0017-00042-0326	Grommet: Plastic (2 per End Cap)
LF-004	OPT	0017-00101-1796	End Cap Screw (2 per cap)
LF-005	OPT	0K75-01019-0200	Cap: Rear End (2)
LF-006	OPT	0017-00103-0323	Leveler Nut
LF-007	OPT	0K60-01033-0000	Leveler: Leg D
LF-008	OPT	0017-00042-0326	Grommet: Plastic (4)
LF-009	OPT	0017-00032-0198	Switch: Rocker; 22A DPST
LF-010	OPT	0017-00003-0949	Receptacle: IEC; Side-Flange B
LF-011	OPT	0017-00101-1969	Receptacle Screw (2)
LF-012	OPT	0017-00101-1796	Front End Cap Screw (2 per cover)
LF-013	OPT	0K60-01018-0002	End-Cap: Front (2)
LF-014	OPT	0017-00042-0772	Cable-Tie

Running Belt, Deck and Associated Components

Exploded View

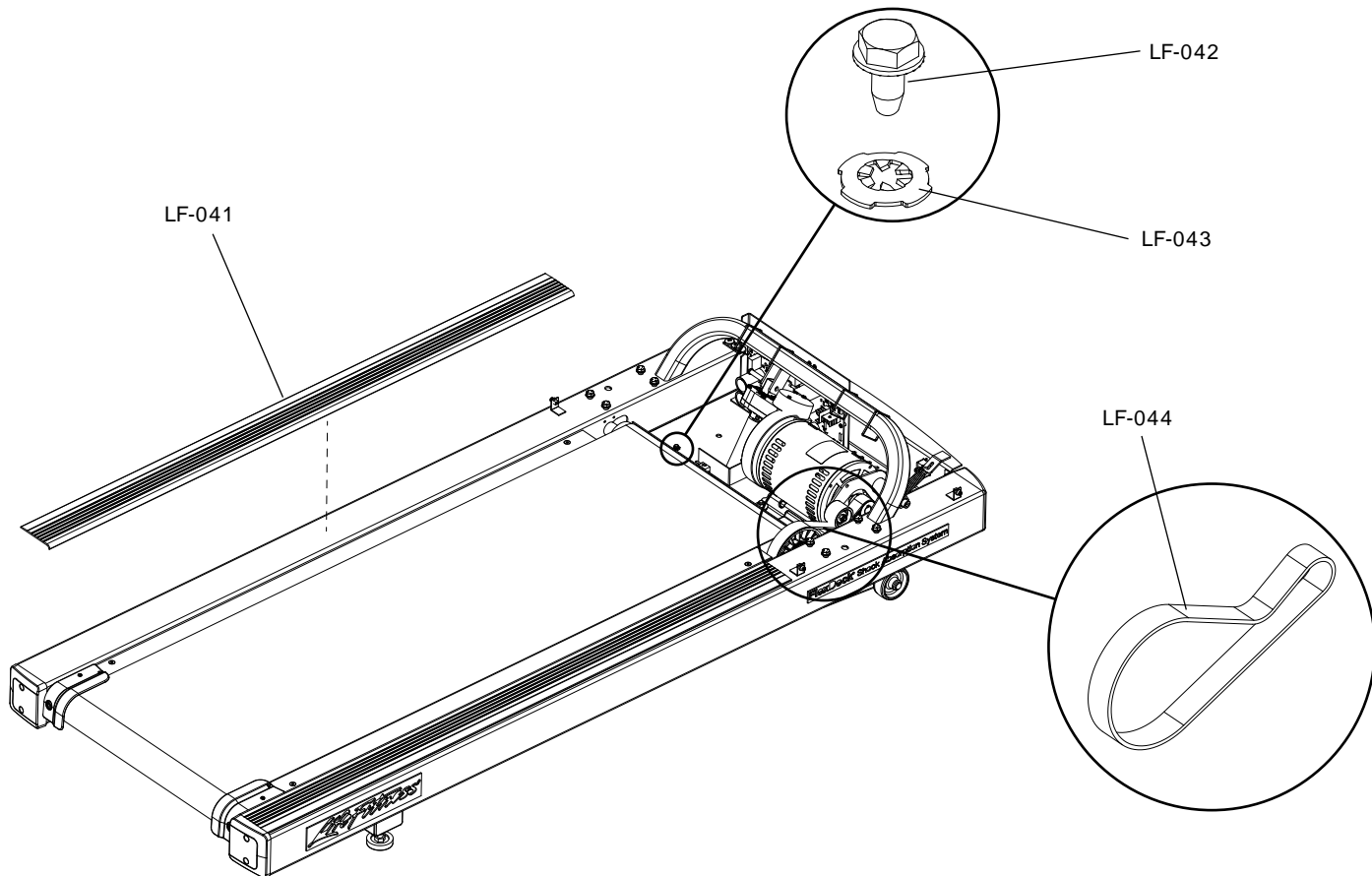


Parts List

Item	Alpha Code	Part Number	Description
LF-021	OPT	0K75-01024-0000	Belt Walking; NP7131; Activate
LF-022	OPT	0017-00101-1775	Deck Screw (4)
LF-023	OPT	0K60-01022-0002	Deck: Treadmill; Activate
LF-024	OPT	0017-00101-1796	Roller Guard Screw (2)
LF-025	OPT	0017-00104-0468	Roller Guard Washer (2)
LF-026	OPT	0K60-01085-0002	Guard: Roller; LT. S/C-D
LF-027	OPT	0017-00042-0326	Grommet: Plastic
LF-028	OPT	0017-00104-0334	Washer (2)
LF-029	OPT	0017-00101-1880	Adjustment Screw (2)
LF-030	OPT	0K60-01011-0000	Roller: Rear; 2.75
LF-031	OPT	0K60-01085-0001	Guard: Roller; RT. S/C-D
LF-032	OPT	0K40-01026-0002	Spring: Tecspak, Black S/C-B (8)
LF-033	OPT	0017-00103-0198	Clip (4)
LF-034	OPT	0017-00104-0072	Tecspak Washer (8)
LF-035	OPT	0017-00101-1652	Tecspak Screw (8)

Drive Belt, Anti-Static Brush, Misc.

Exploded View

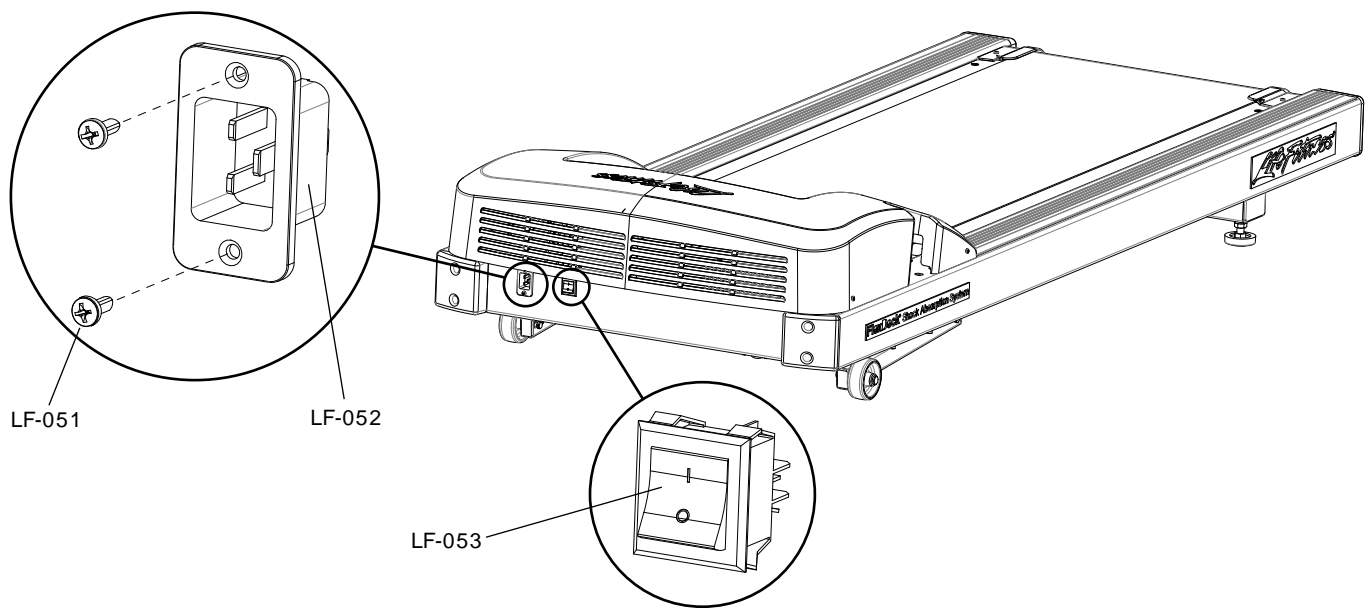


Parts List

Item	Alpha Code	Part Number	Description
LF-041	OPT	0K75-01022-0200	Extrusion: Side (2)
LF-042	OPT	0017-00101-0883	Screw
LF-043	OPT	0017-00104-0460	Washer
LF-044	OPT	0K60-01025-0000	Belt: Poly-V; 270J12; 27.00 IN. B

Switches and Receptacles

Exploded View

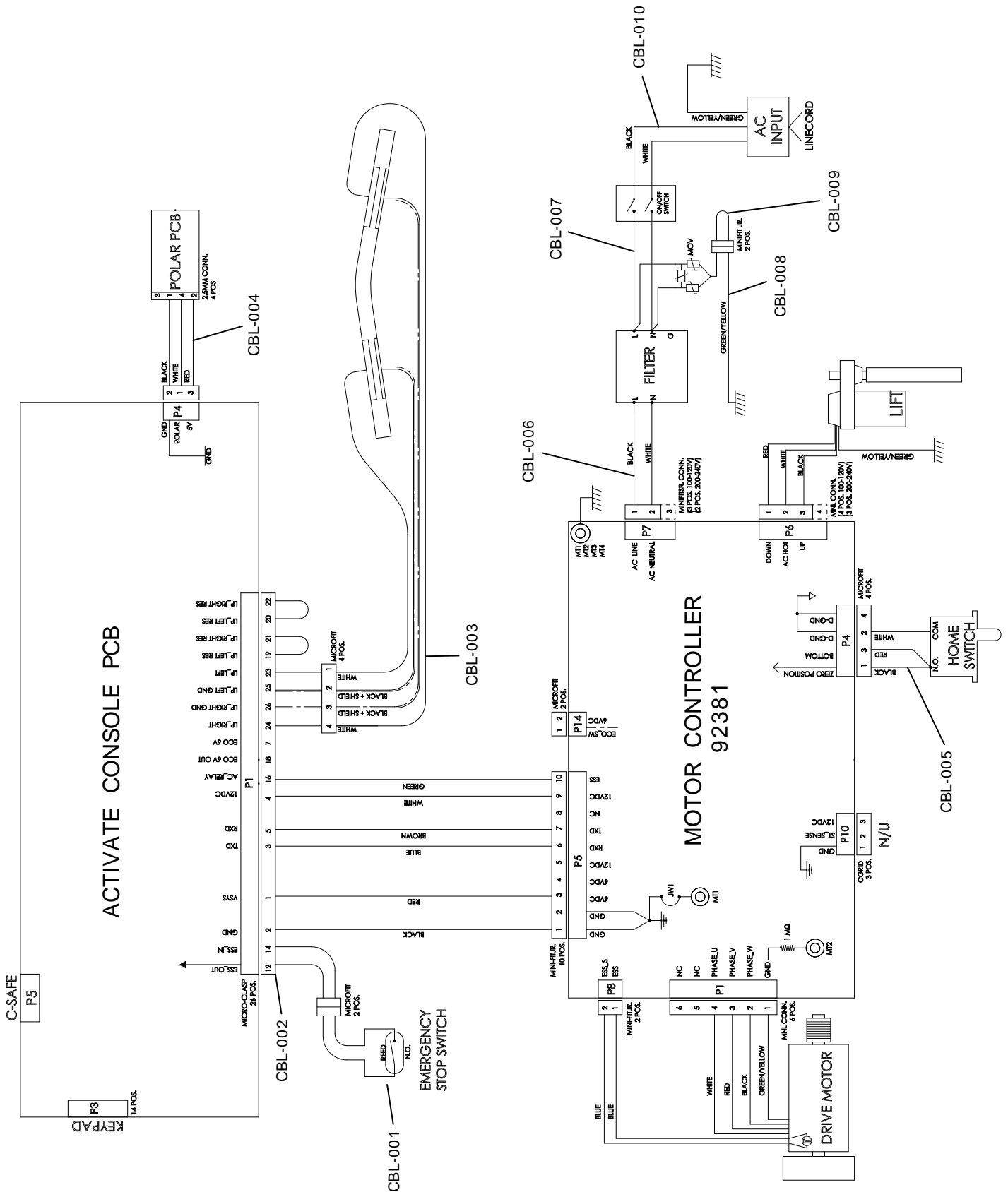


Parts List

Item	Alpha Code	Part Number	Description
LF-051	OPT	0017-00101-1969	Receptacle Screw (2)
LF-052	OPT	0017-00003-0949	Receptacle: IEC; Side-Flange B
LF-053	OPT	0017-00032-0198	Switch: Rocker; 22A DPST C

Wiring

Wiring Diagram



Cable Parts List

Designator	Alpha Code	Part Number	Description
CBL-001	OPT	AK58-00036-0000	CBL-ASSY: EMERGENCY-STOP
CBL-002	OPT	AK75-00001-0000	CBL ASSY: CONSOLE, MAIN
CBL-003	OPT	AK75-00012-0000	CBL-ASSY: H/R SENSORS
CBL-004	OPT	AK69-00157-0001	POLAR CABLE ASSY
CBL-005	OPT	AK65-00074-0000	CBL ASSY: HOME SWITCH
CBL-006	OPT	AK75-00014-0000	CBL-ASSY: POWER, CONTROLLER, 120V
"	OPT	AK75-00014-0001	CBL-ASSY: POWER, CONTROLLER, 230V
CBL-007	OPT	AK75-00003-0000	CBL-ASSY: FILTER/SWITCH
CBL-008	OPT	AK58-00224-0001	CBL-ASSY: MOV; FILTER C
CBL-009	OPT	AK58-00263-0000	CBL-ASSY: HI-POT JUMPER
CBL-010	OPT	AK75-00013-0000	CBL-ASSY: SWITCH/IEC