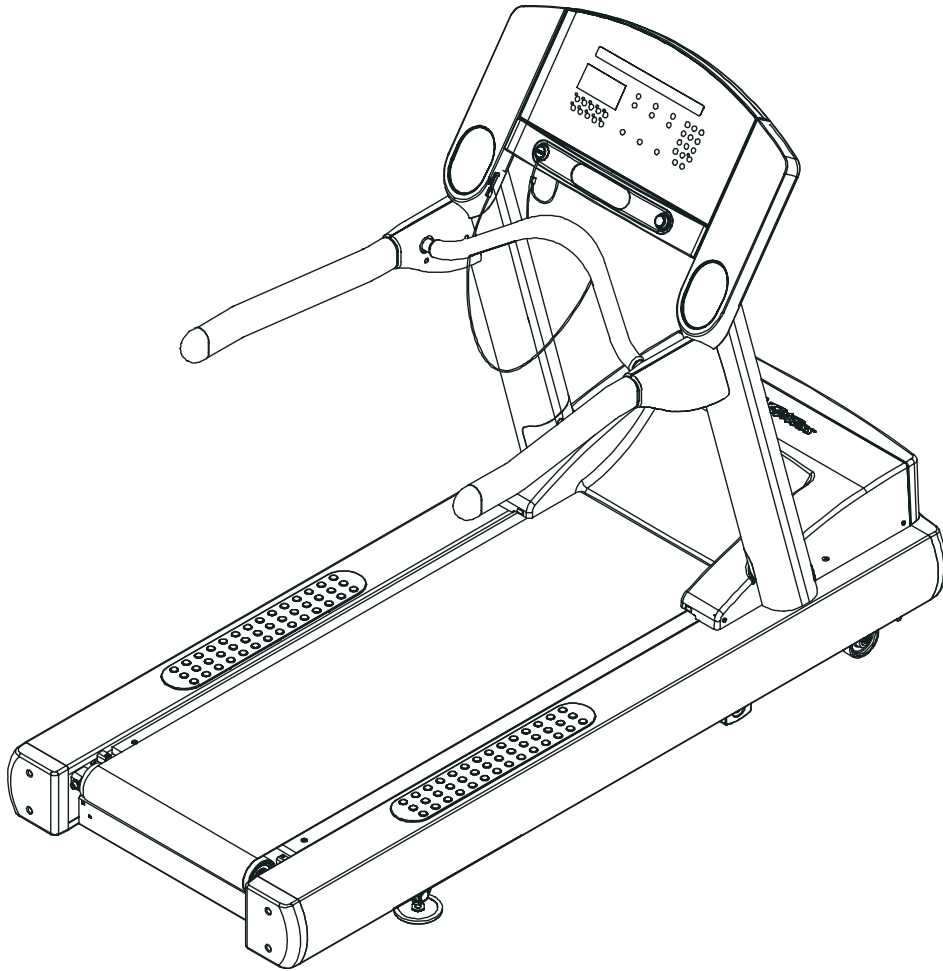


# LifeFitness

Classic Series Treadmill CLST-XXXX-02

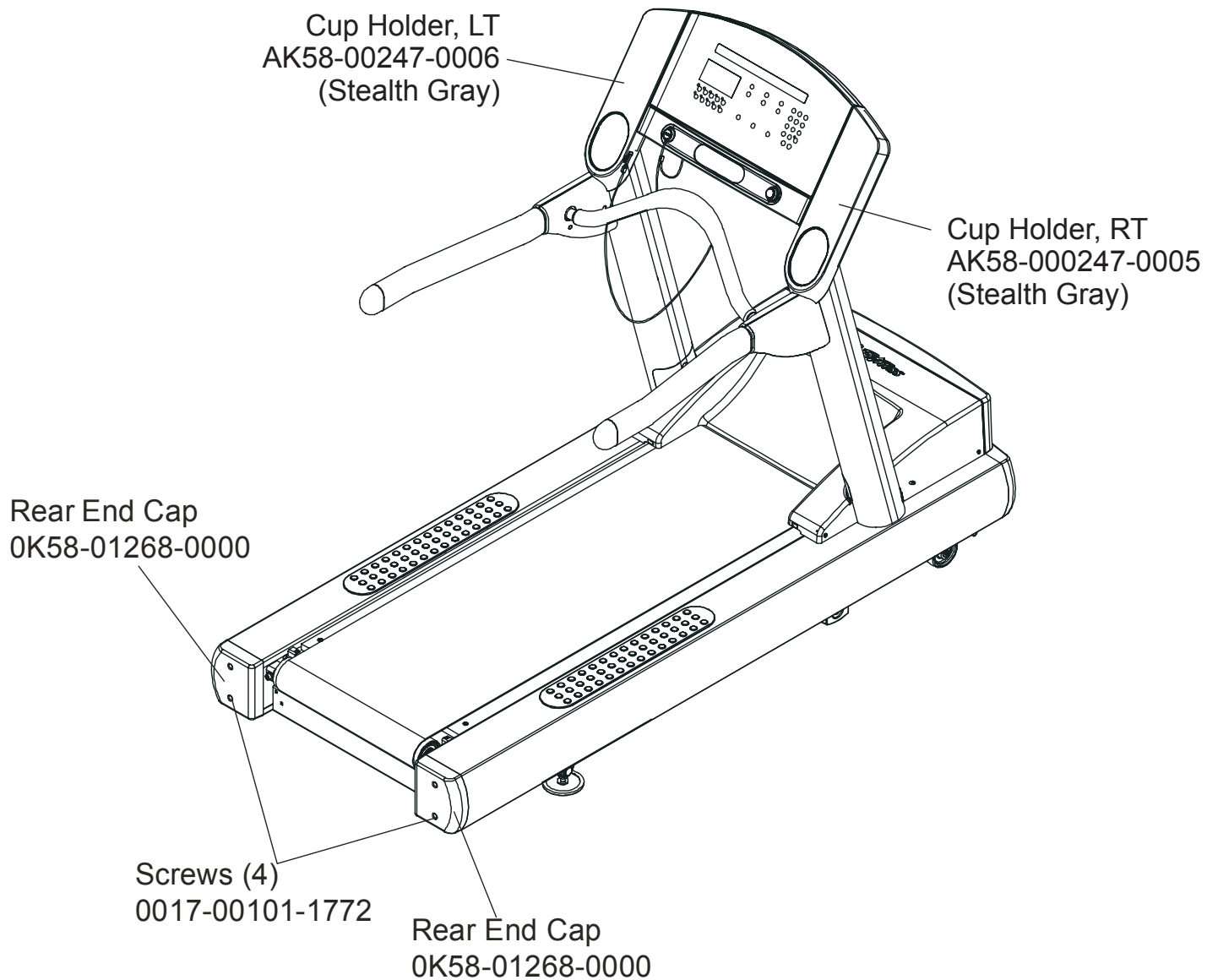


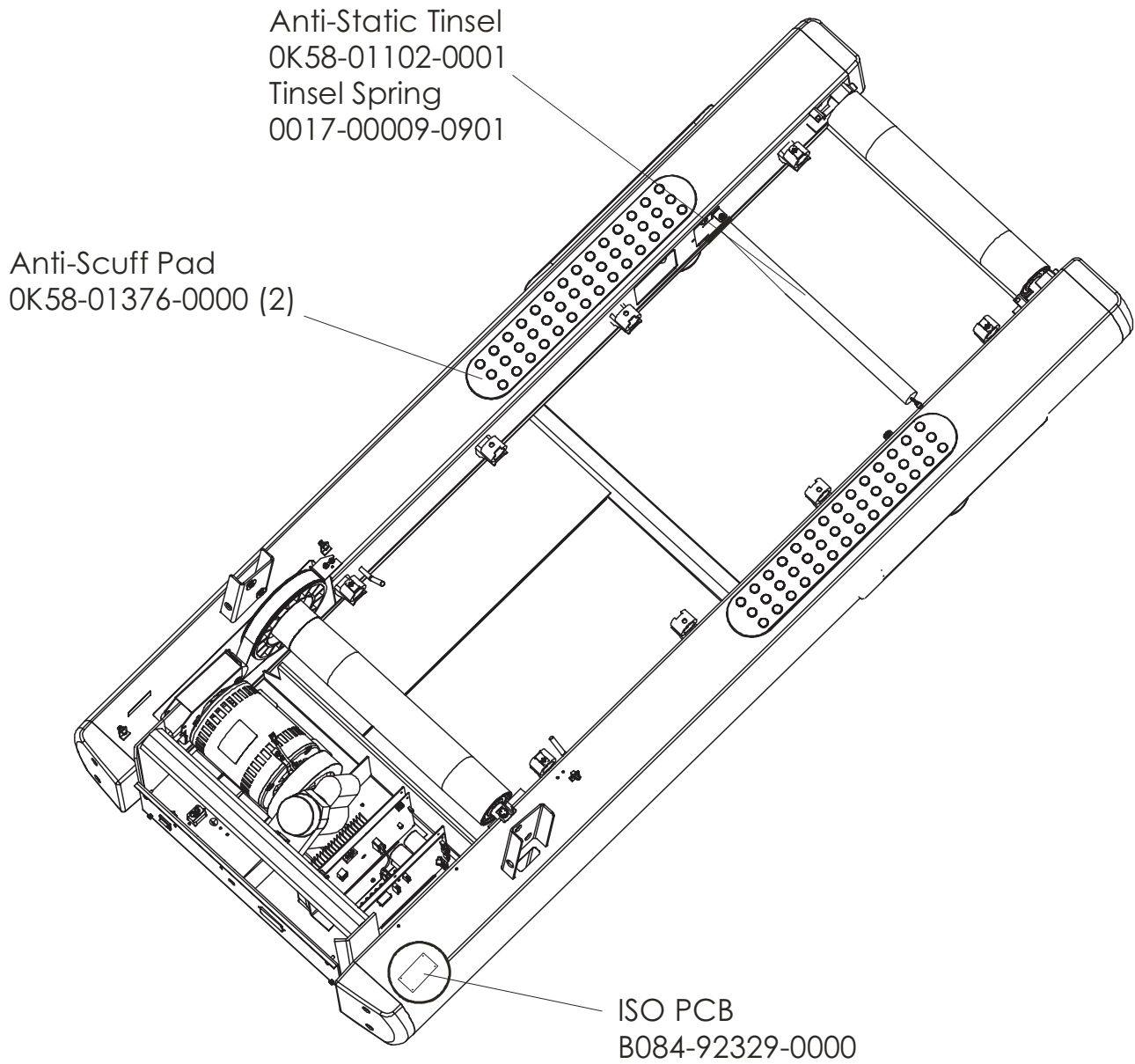
Customer Support Services  
**PARTS MANUAL**

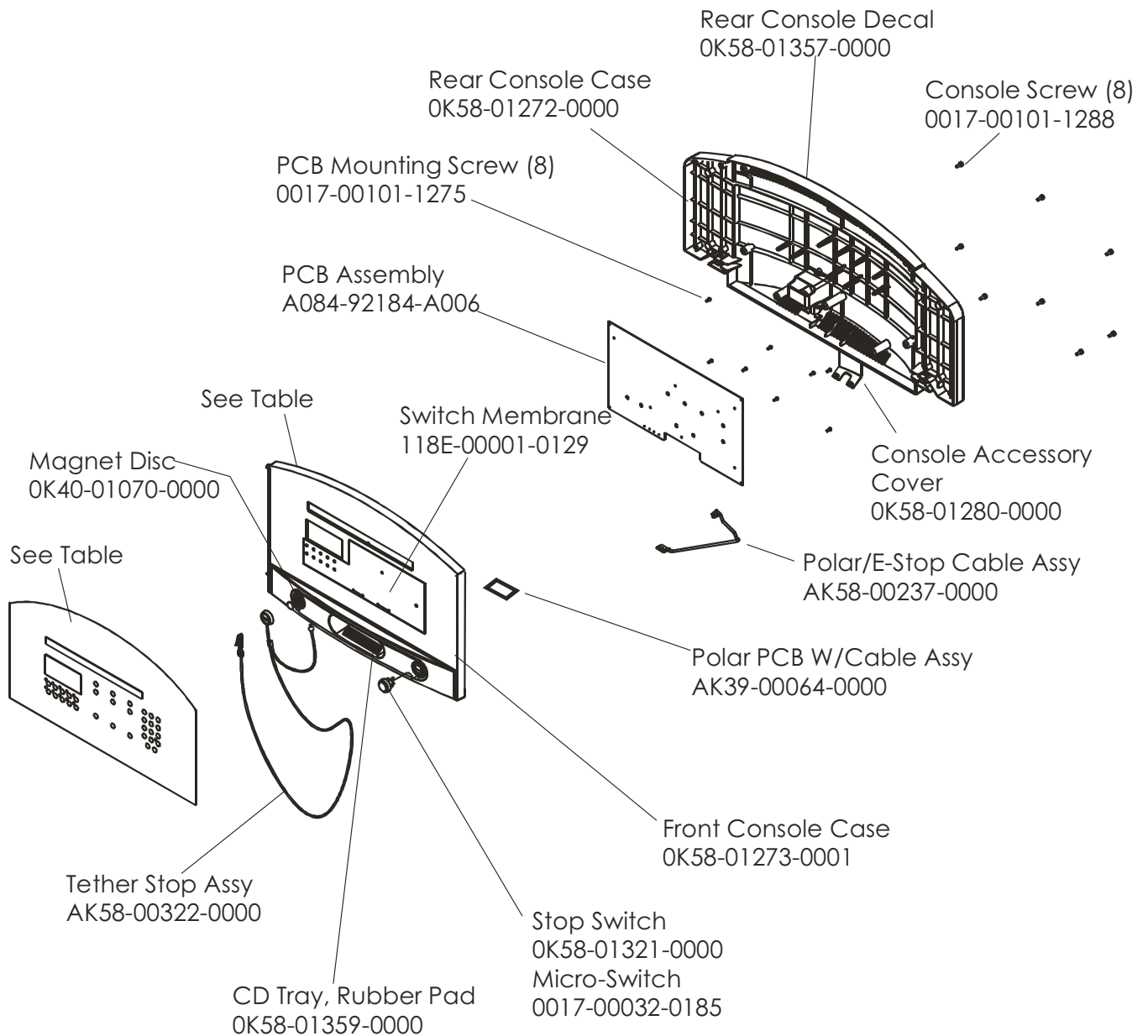
rev 21.02.11

Miscellaneous .....	3
Rear End Caps and Cup Holders.....	4
Scuff Pad, Tinsel, and Frame Tag Board .....	5
Console and Related Components .....	6
Uprights, Handrails, and Ergo Bar .....	7
Ergo Bar with Heart Rate Assembly .....	8
Motor Cover, Front Cover, and End Caps.....	9
Belt, Deck, and Rear Roller.....	10
Lift Frame, Lift Motor, and IEC Receptacle .....	11
DSP Controller Assembly .....	12
Drive Motor Assembly.....	13
Idler Arm Assembly and Static Brush.....	14
Leg Leveler Assembly.....	15
Front Roller Assembly .....	16
Line Cords and Line Cord Options .....	17
Block Diagrams .....	18

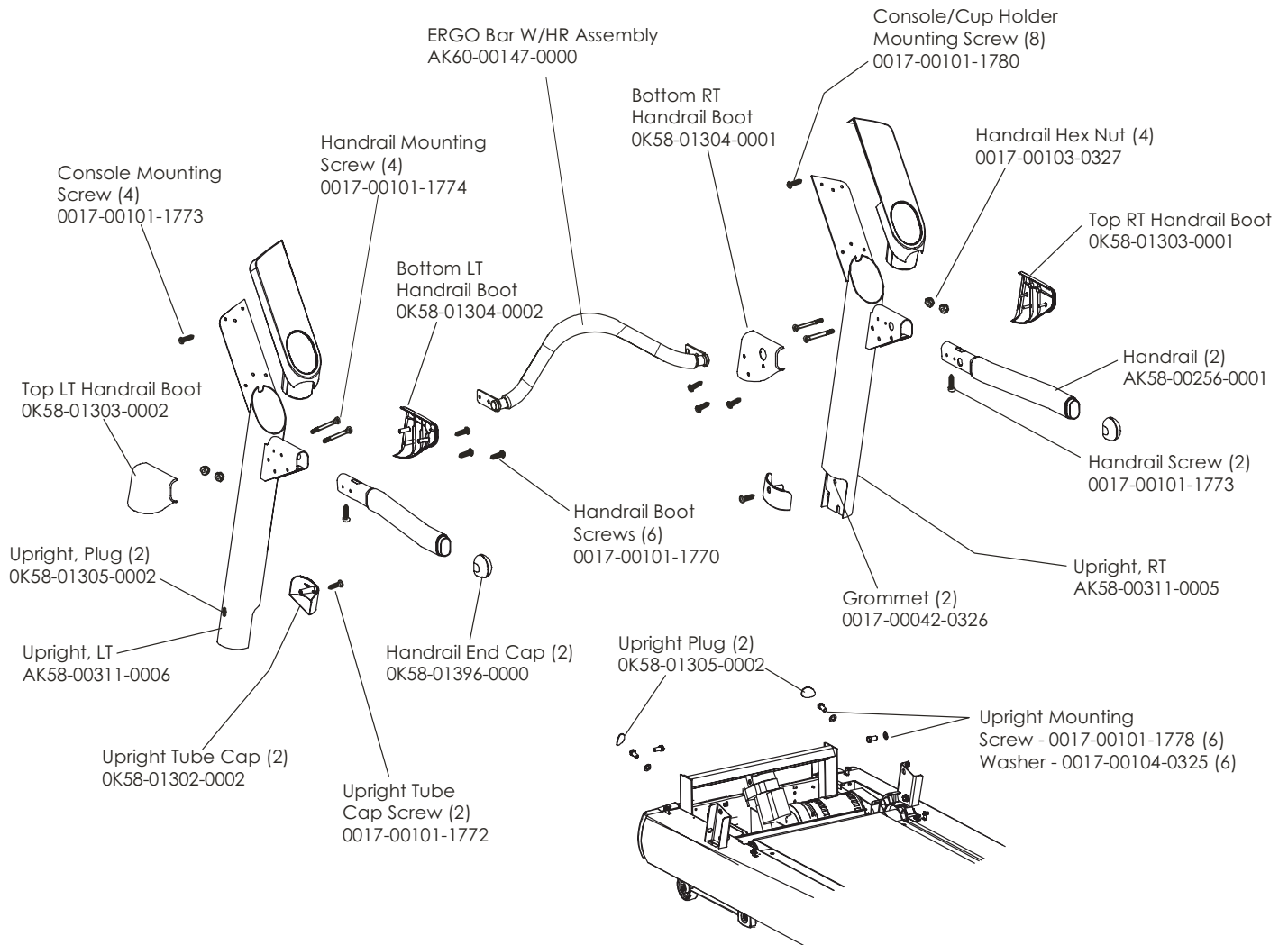
Description	Part No.
OPERATION MANUAL (CD)	AK58-00634-0000
SERVICE MANUAL	M051-00K58-A159
HARDWARE BAG	AK58-00226-0000
TOUCH UP PAINT: SPRAY CAN .5 OZ BOTTLE W/APPLICATOR .33 OZ PEN	0017-00008-0204 0017-00008-0205 0017-00008-0206
ACCESS PANEL ASSY CONSISTS OF: 1) 120" POWER EXT. CABLE 2) CONNECTOR MTG. PLATE 3) F-TYPE ADP CONNECTOR 4) F-TYPE PANEL CONNECTOR	AK58-00329-0000  AK32-00020-0002 0K58-01392-0000 0017-00021-2810 0017-00021-2846
INSTALLATION VIDEO	M051-00K58-A160

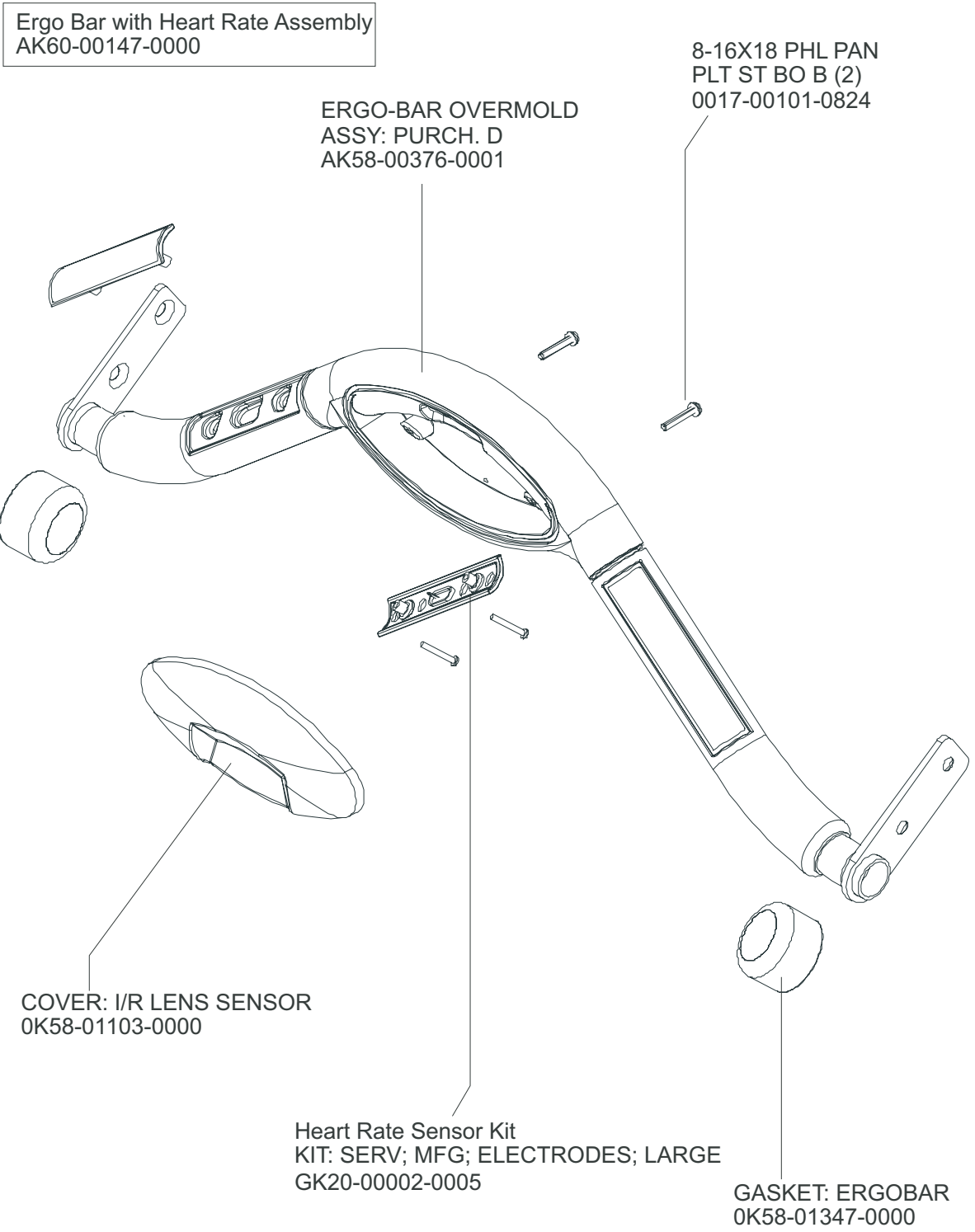


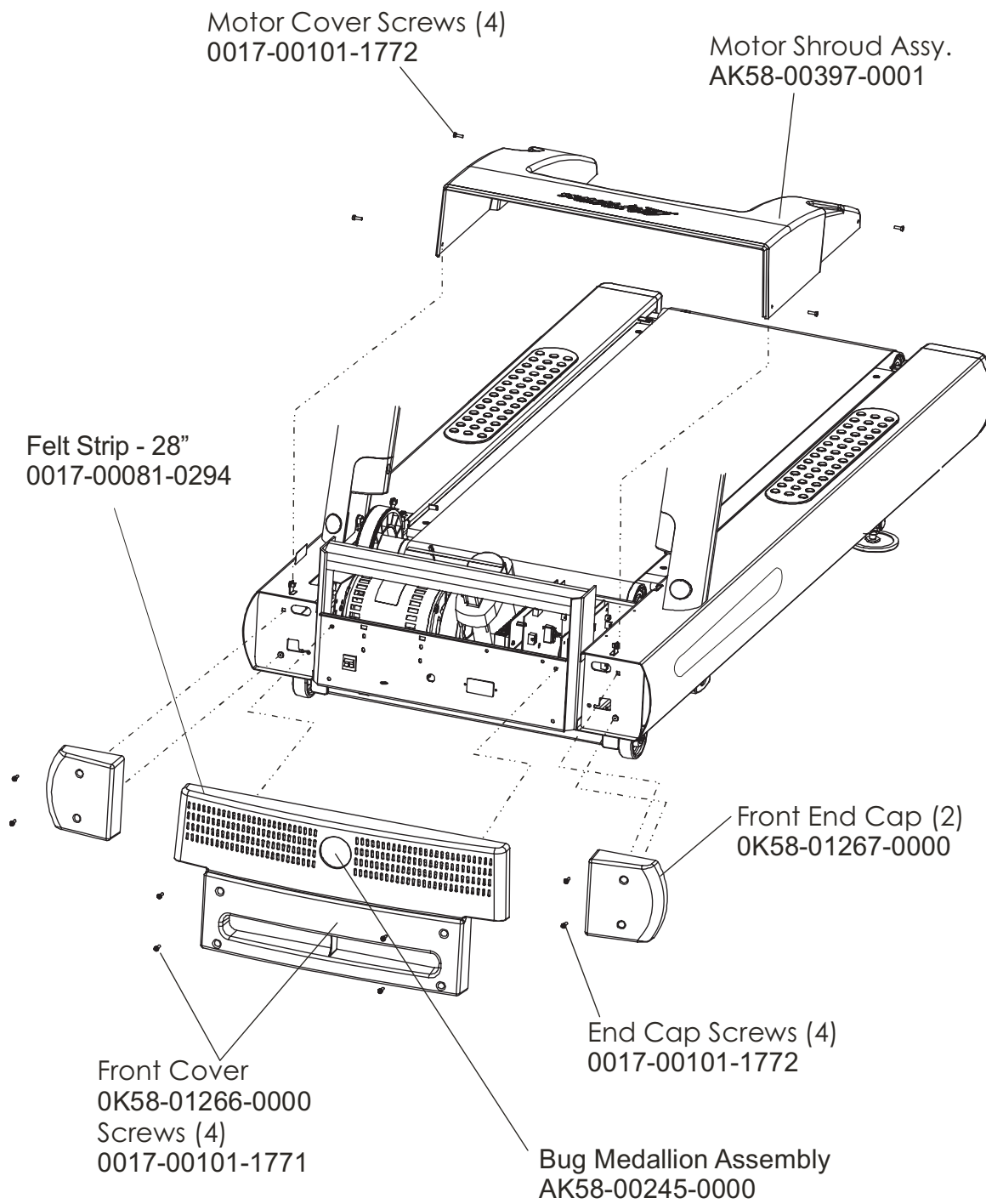


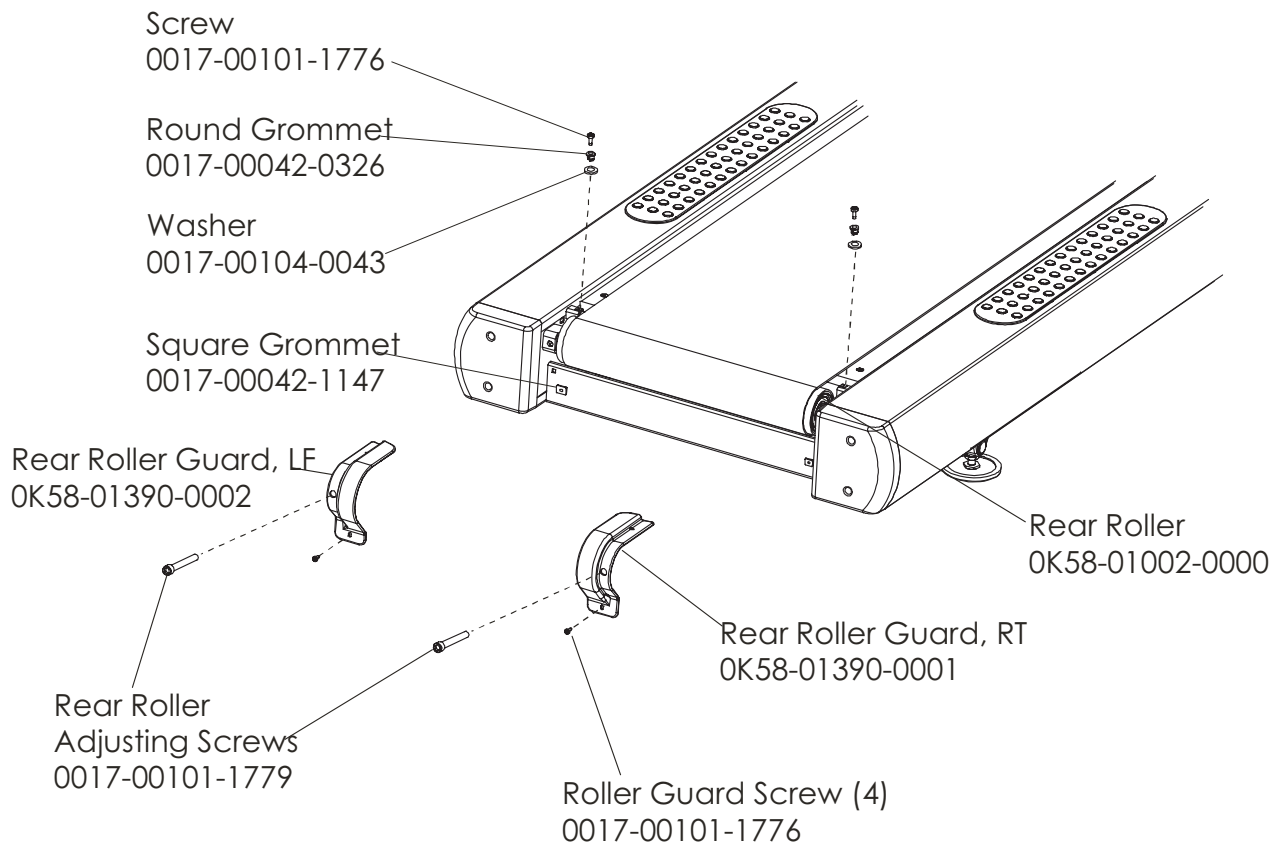
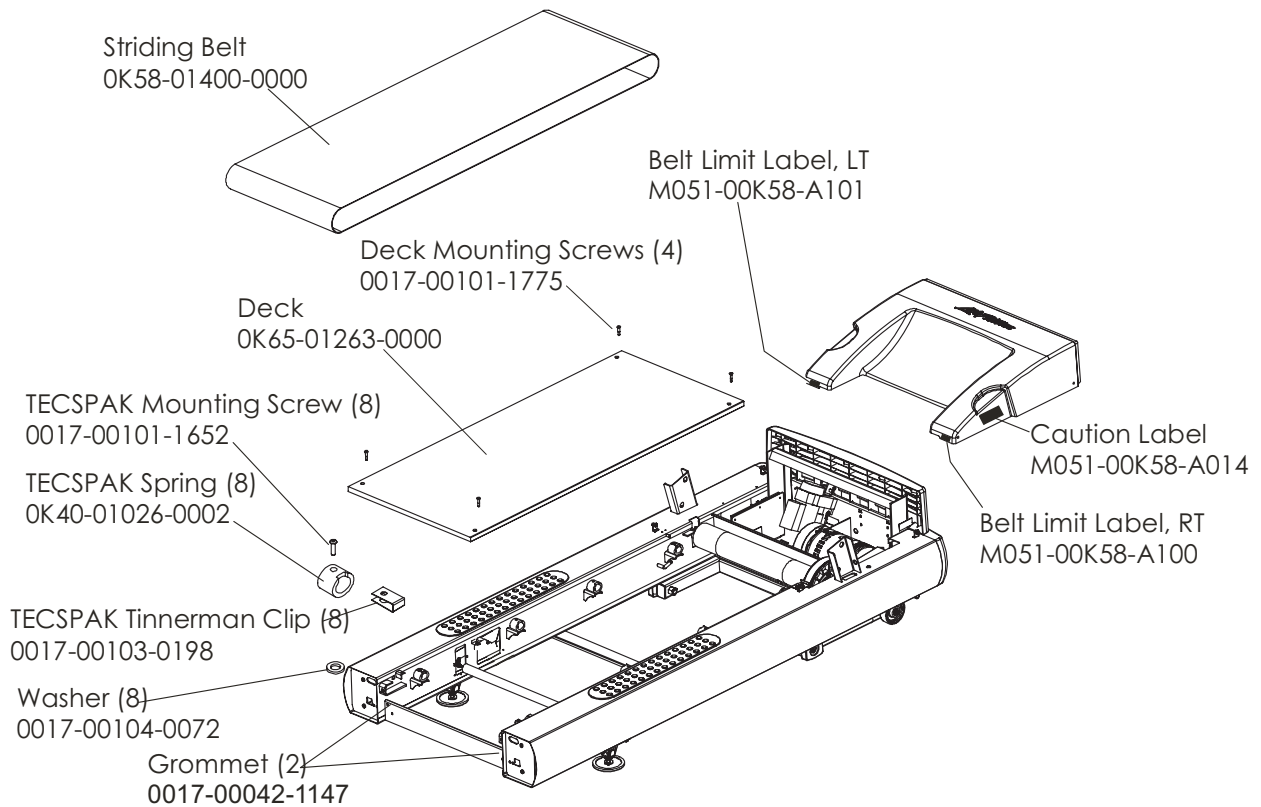


Language	Part Nos.	
	Console Assembly	Overlay
Eng/Met	AK58-00580-0001	0K58-01298-0001
Eng/Eur	AK58-00580-0002	0K58-01298-0001
German	AK58-00580-0003	0K58-01298-0003
Spanish	AK58-00580-0004	0K58-01298-0004
Japanese	AK58-00582-0006	0K58-01298-0006
French	AK58-00580-0007	0K58-01298-0007
Italian	AK58-00580-0008	0K58-01298-0008
Dutch	AK58-00580-0009	0K58-01298-0009



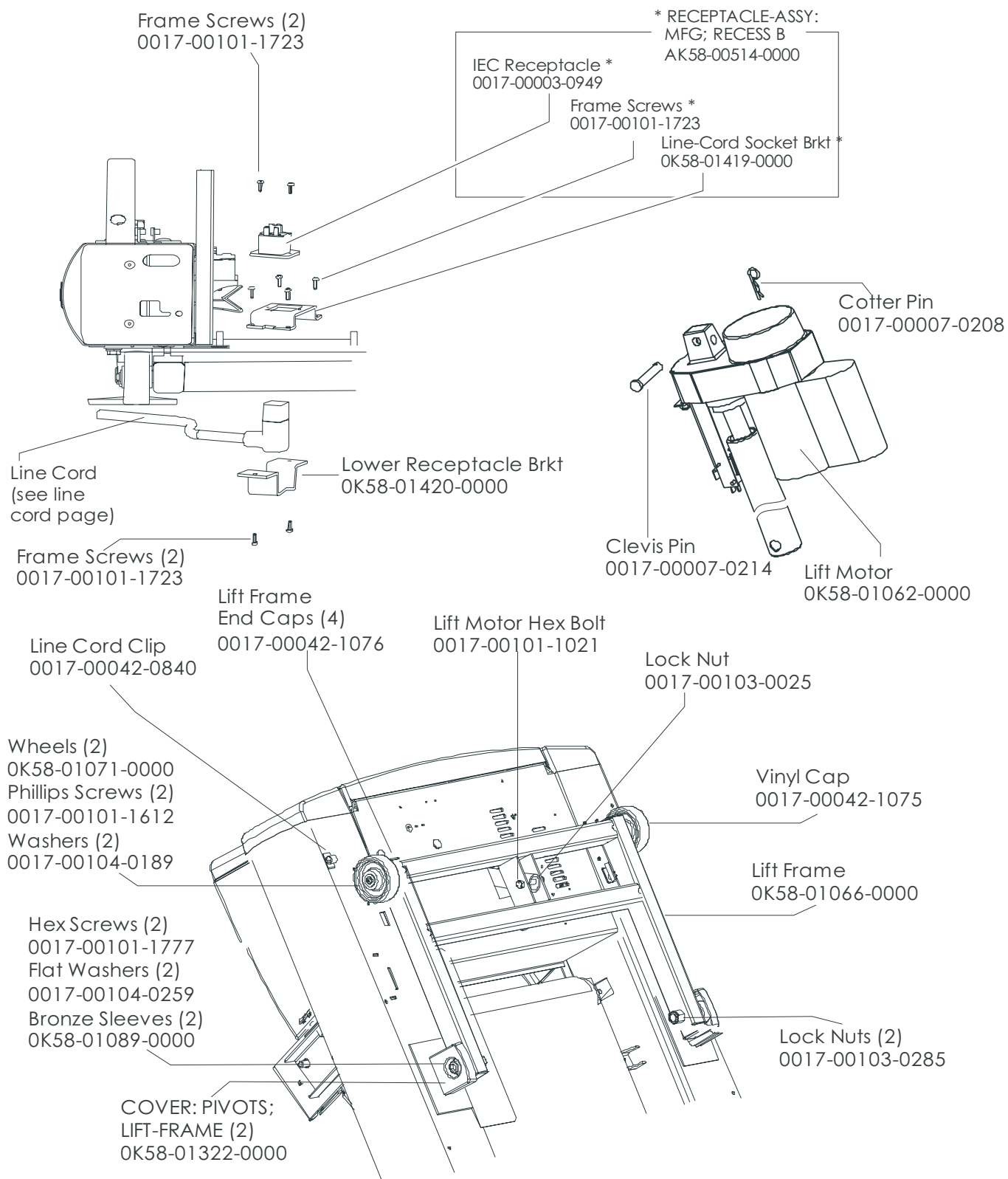




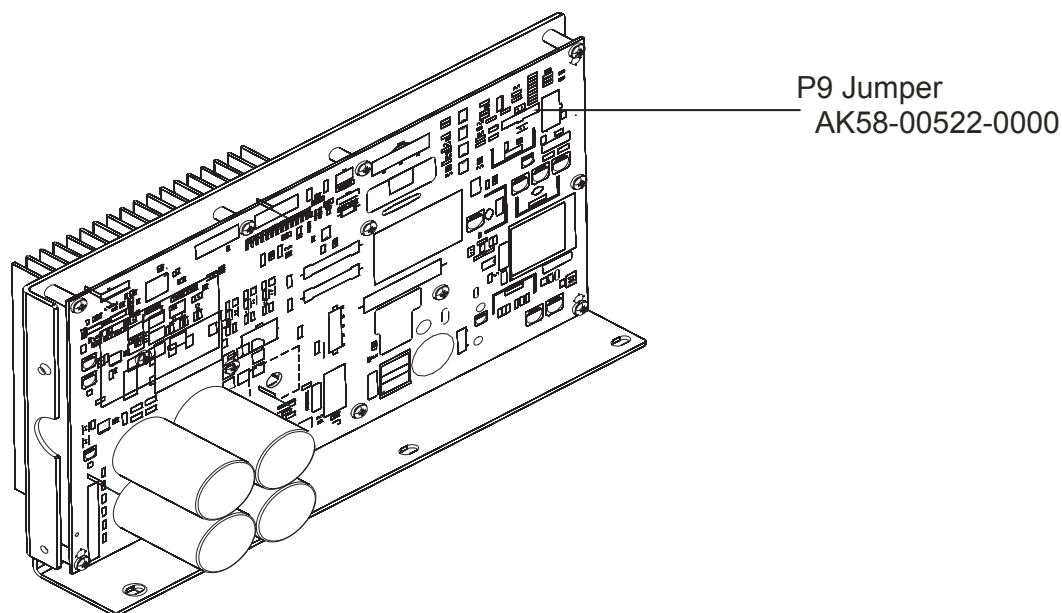


**CLASSIC TREADMILL**  
**Lift Frame, Lift Motor and IEC Receptacle**

**CLST-0XXX-02**  
**S/N CLT100000 and up**

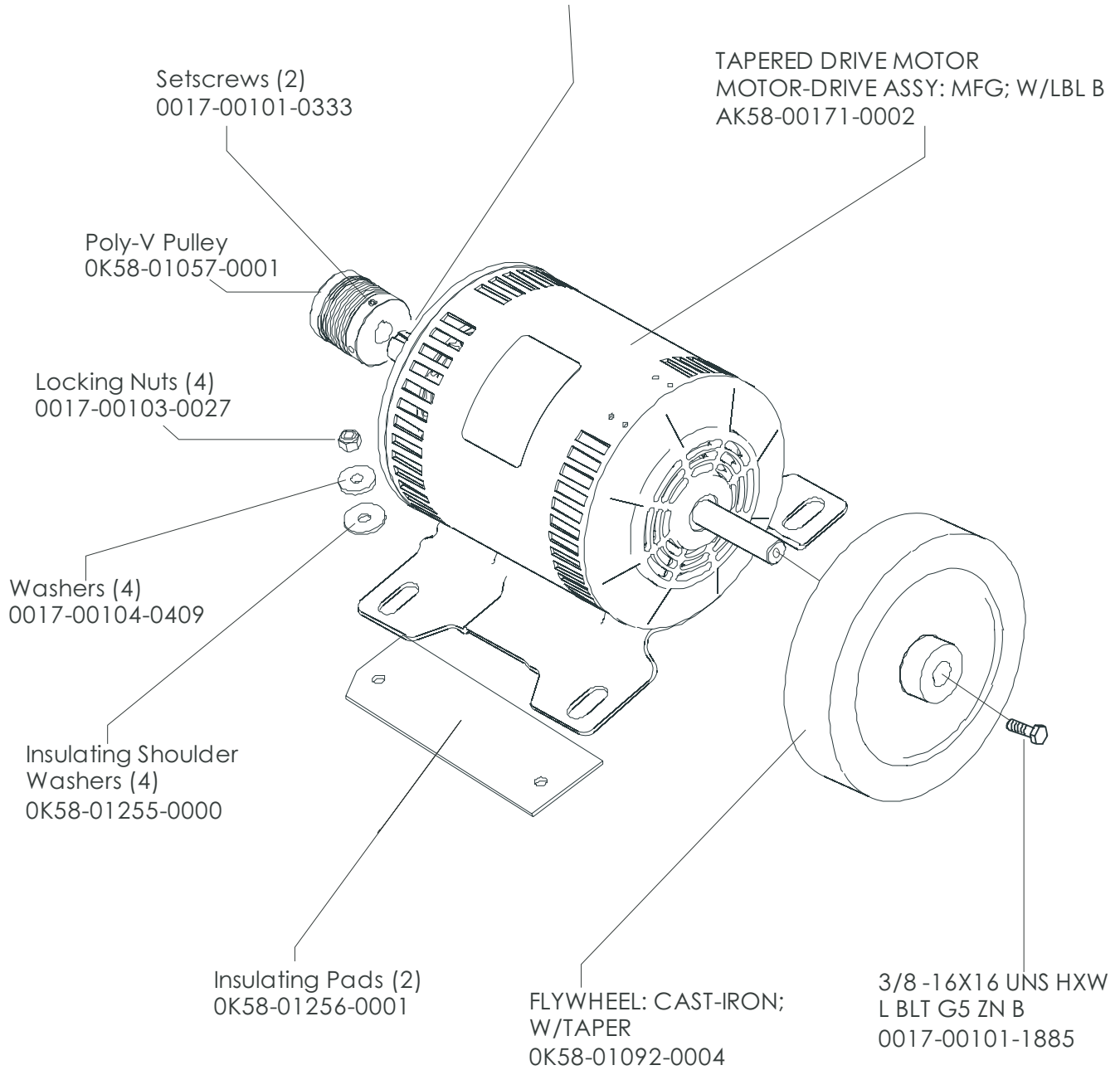


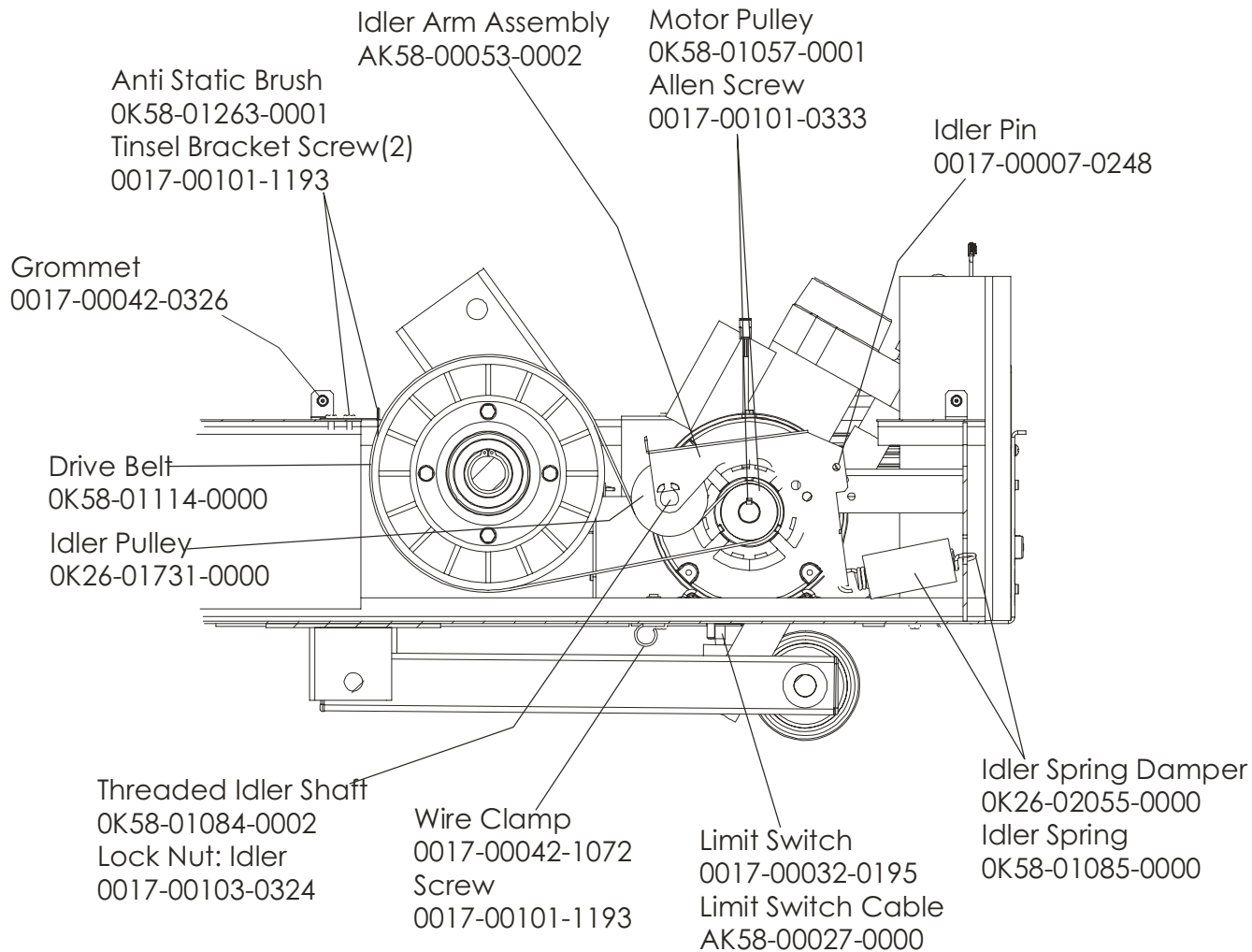
DSP Motor Control Board  
100-120V: AK65-00071-0007  
200-240V: AK65-00071-0009



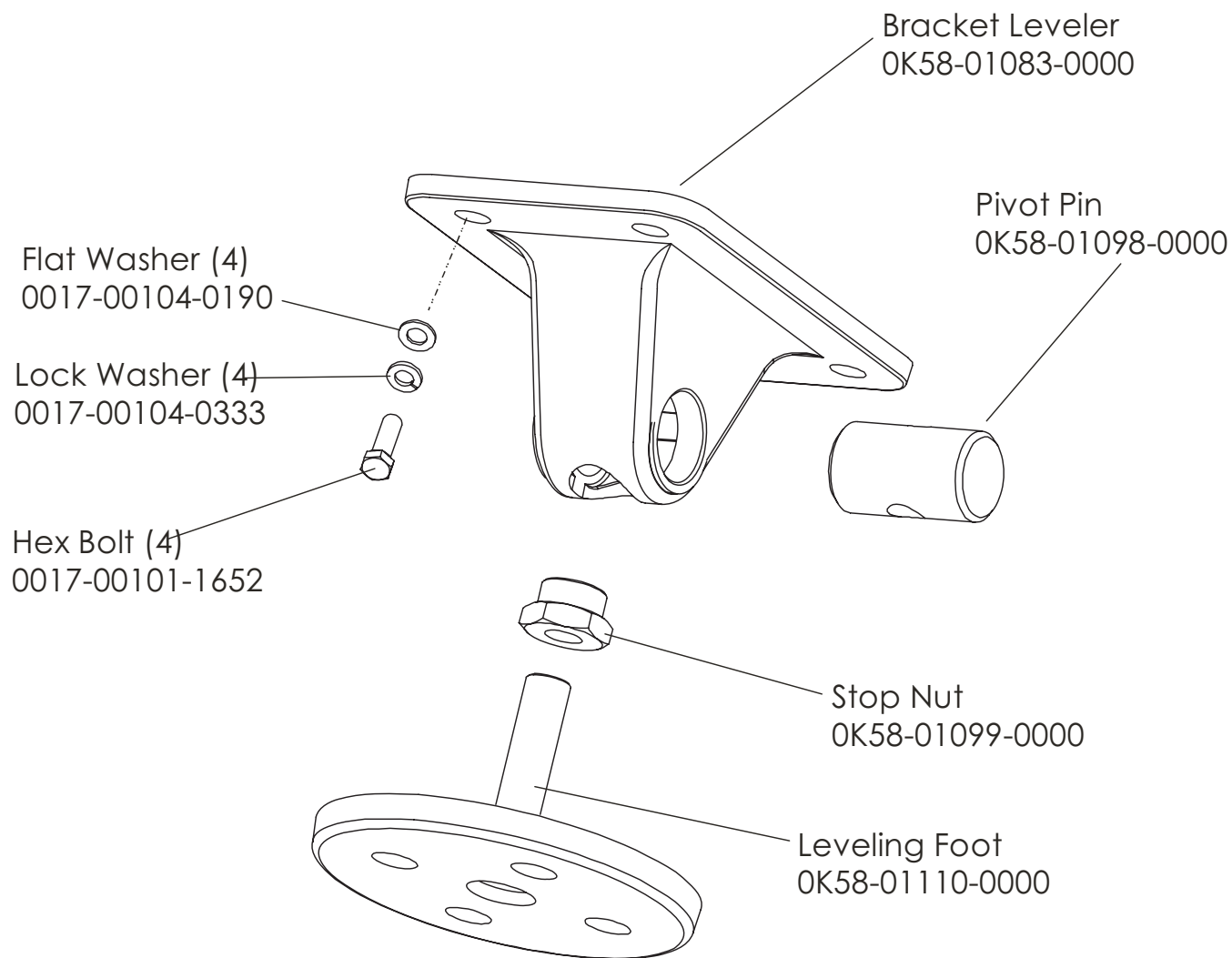
Transformer Assembly (for 200-240V only):  
AK58-00210-0000

Note: key is part of the drive motor only, not available separately.





Leveler Assembly  
AK58-00370-0000



Front Roller Assembly  
AK58-00066-0000

Mounting Bolt  
0017-00101-0974

Flat Washer  
0017-00104-0043

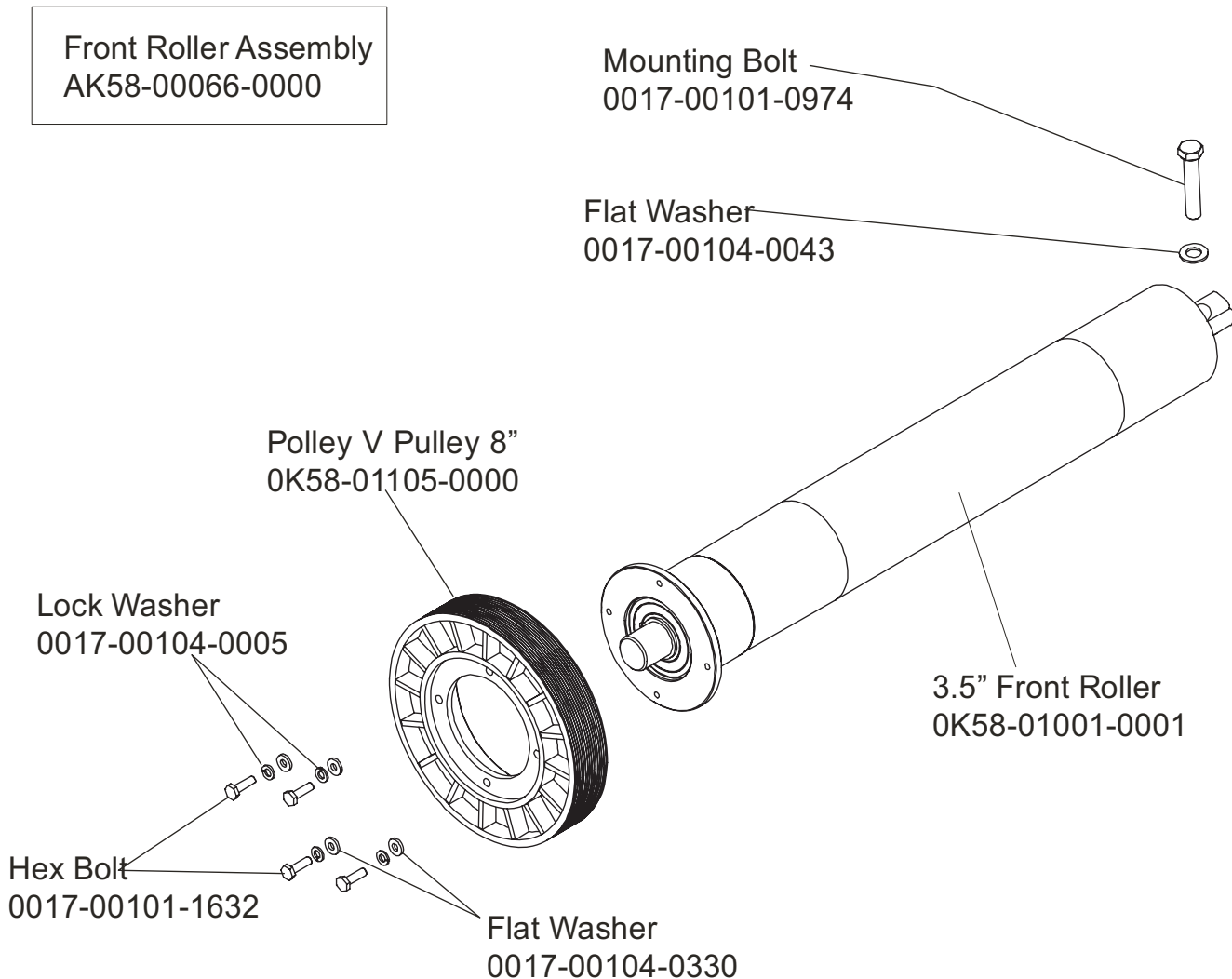
Polley V Pulley 8"  
OK58-01105-0000

Lock Washer  
0017-00104-0005

Hex Bolt  
0017-00101-1632

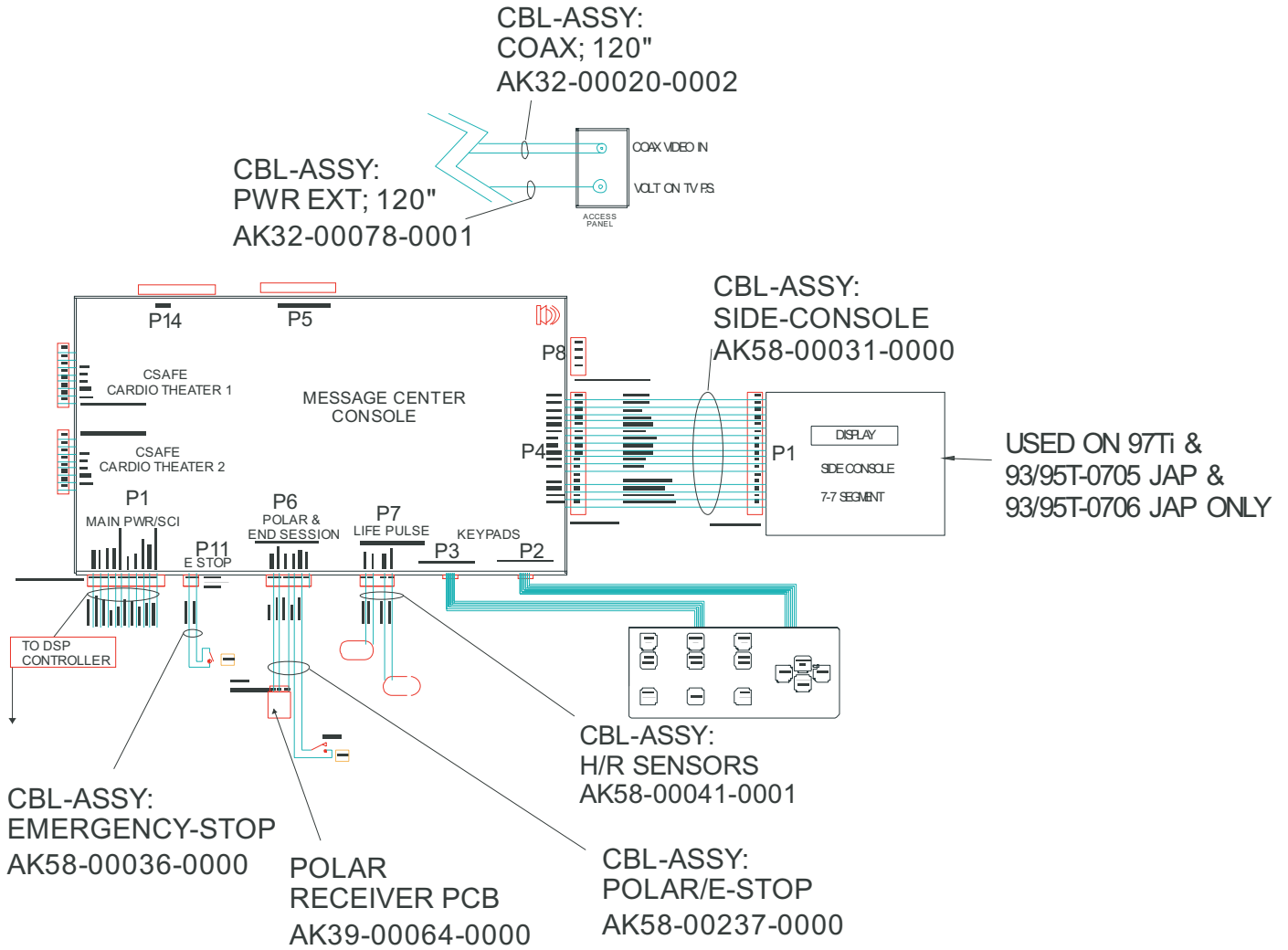
Flat Washer  
0017-00104-0330

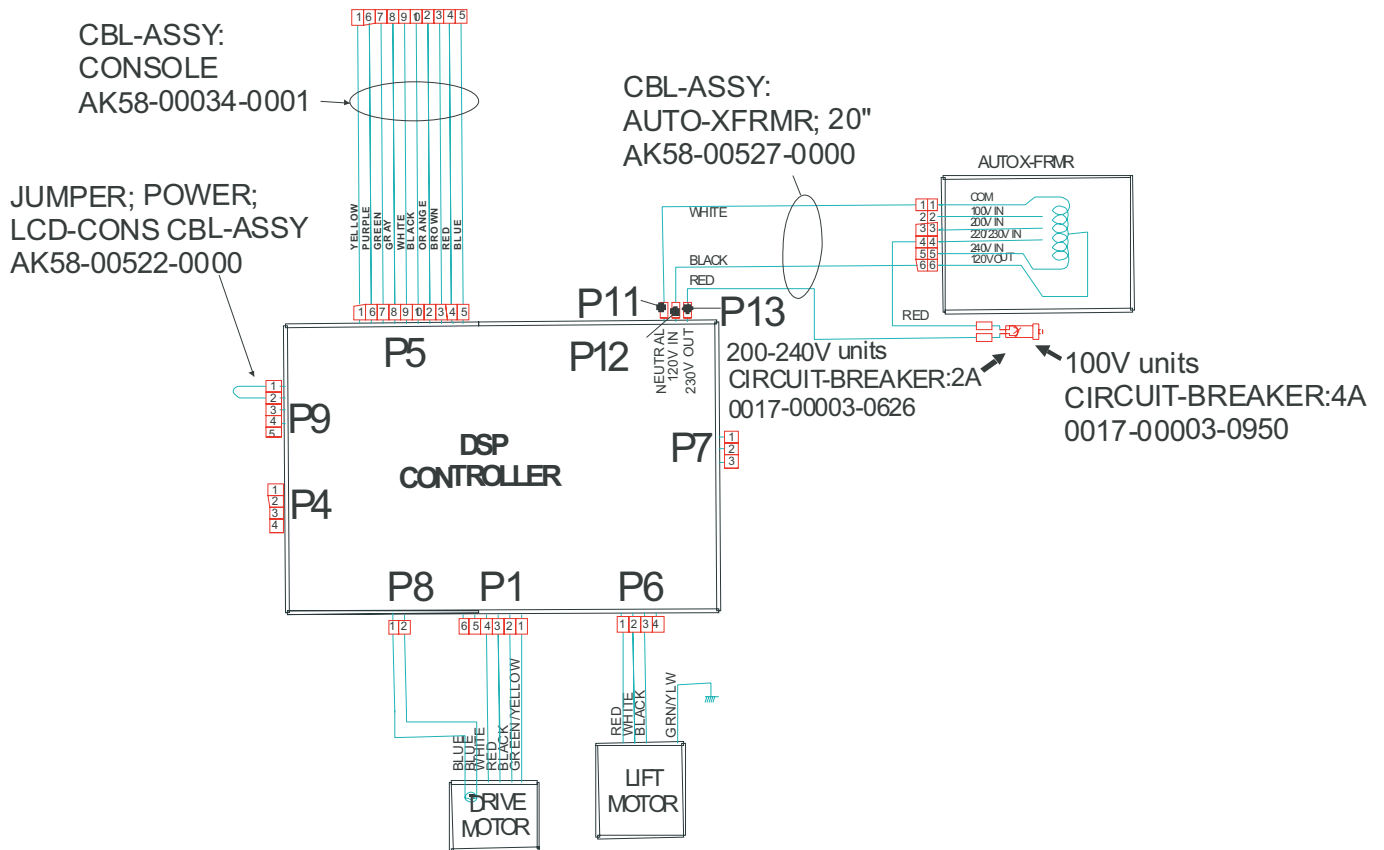
3.5" Front Roller  
OK58-01001-0001



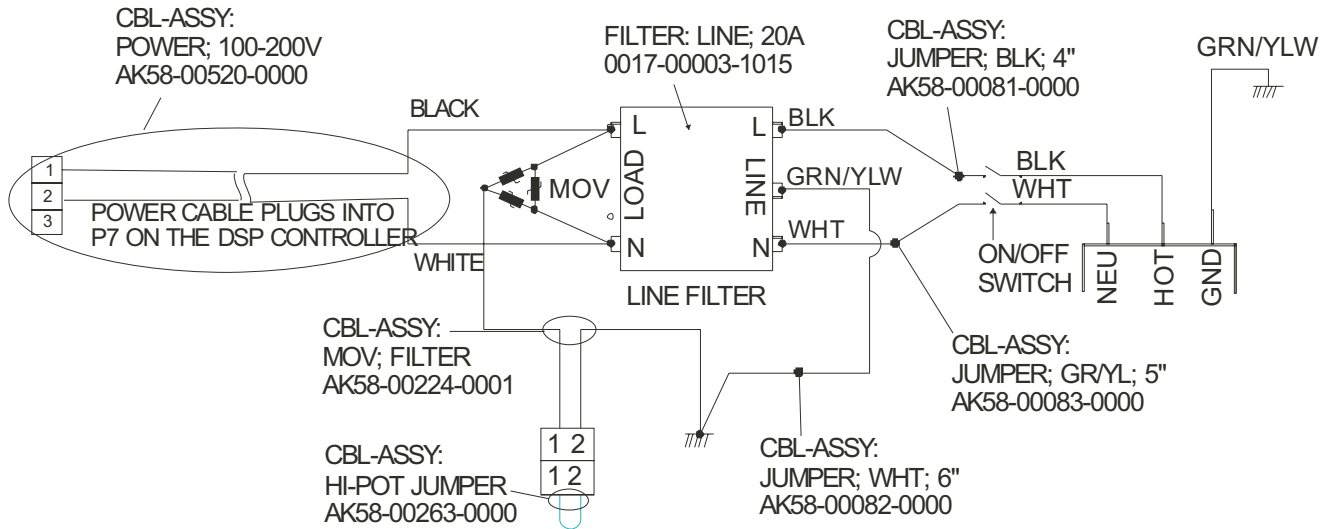
Standard Line Cords		
Model #	Model Description	Part No.
CLST-0100-01	CLST ENG/ENG 120/60 DOM LOW VOLTAGE	0017-00003-0974 LINE-CORD: R/A; 96"; W/RECP
CLST-0300-01	CLST FRN/MET 120/60 DOM LOW VOLTAGE	
CLST-0400-01	CLST SPN/MET 120/60 DOM LOW VOLTAGE	
CLST-0103-01	CLST ENG+MET 220/60 DOM HIGH VOLTAGE	0017-00003-0781 LINE-CORD: R/A; 220V; USA
CLST-0705-01	CLST JAP/MET 100/50 DOM LOW VOLTAGE	
CLST-0706-01	93T JAP/MET 200/50 DOM HIGH VOLTAGE	
CLST-0101-01	93T ENG+MET 230/50 CON HIGH VOLTAGE	0017-00003-0696 LINE-CORD: R/A; CEE7; 103" 10A 250V
CLST-0201-01	93T GER/MET 230/50 CON HIGH VOLTAGE	
CLST-0301-01	93T FRN/MET 230/50 CON HIGH VOLTAGE	
CLST-0401-01	93T SPN/MET 230/50 CON HIGH VOLTAGE	
CLST-0501-01	93T ITL/MET 230/50 CON HIGH VOLTAGE	
CLST-0601-01	93T DUT/MET 230/50 CON HIGH VOLTAGE	
CLST-0102-01	93T ENG+MET 240/50 UK HIGH VOLTAGE	0017-00003-0890 LINE-CORD: U.K; R/A
CLST-0104-01	93T ENG+MET 240V+ AUS HIGH VOTAGE	0017-00003-0996 LINE-CORD: IEC; AUSTRALIAN; 230/50

Optional Line Cords		
Description	Length (feet)	Part No.
LINE-CORD: 120V; 20A;	12'	0017-00003-0947
LINE-CORD: R/A 120V	8'	0017-00003-0915
LINE-CORD: R/A; NEMA 5-20 144"	12'	0017-00003-0980
LINE-CORD: 220V; 15A	12'	0017-00003-0948





**120V DOMESTIC**



**200-240V ONLY**

