

INTEGRITY TREADMILL (INTDX, INTSX, CSTD, INTSE, INTSC)

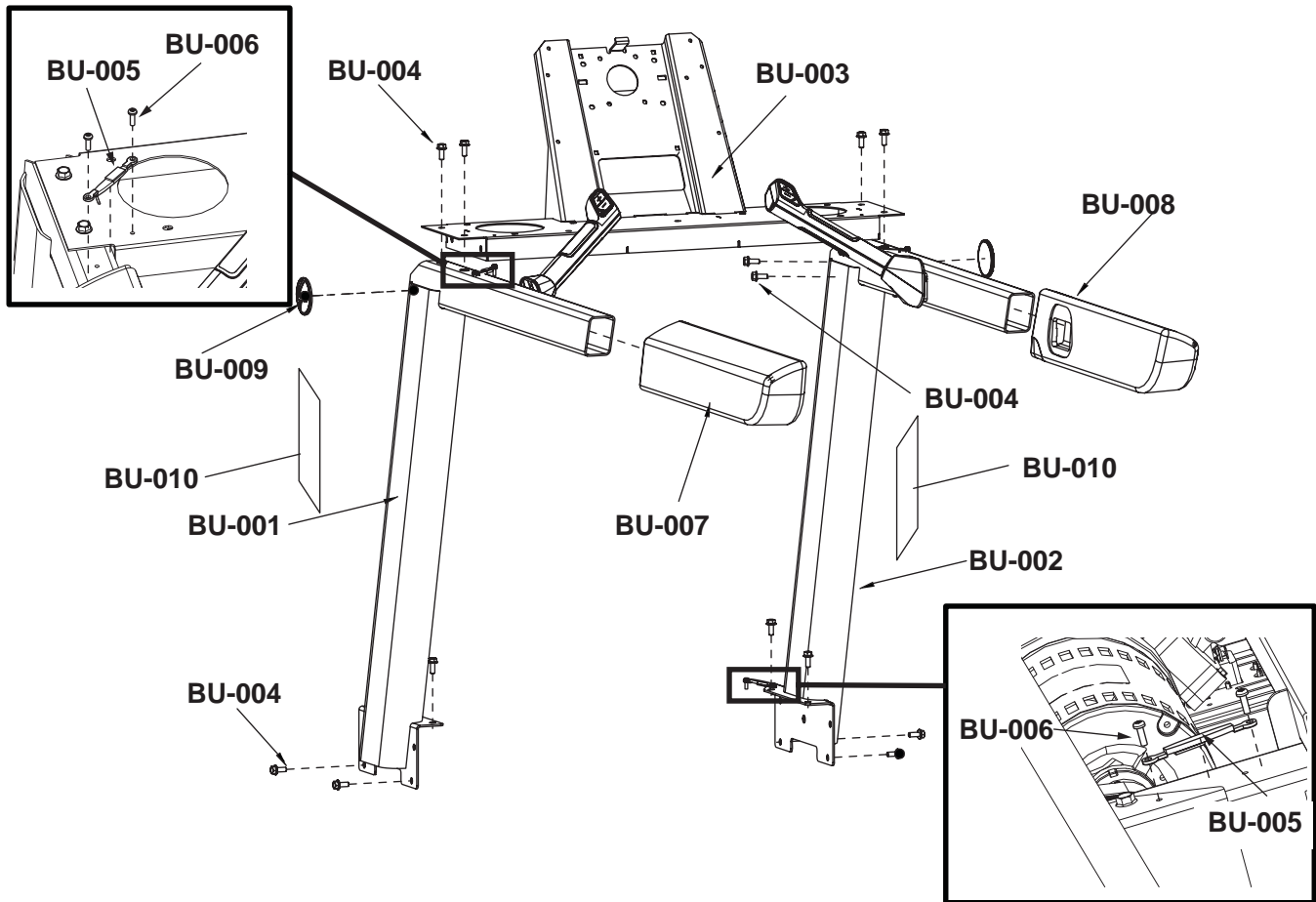
HHT, HHK, CHT, PHT, PHK, CHZ, PHS, PHJ



Table of Contents

| | |
|---|----|
| Bridge, Uprights & Grounding Braid Cables | 2 |
| Bridge Shrouds | 3 |
| Bullhorns | 4 |
| Lift Frame, Leg Levelers & Wheels (-01) | 5 |
| Lift Frame, Leg Levelers & Wheels (-02) | 7 |
| Drive Motor, Pulley & Rollers | 8 |
| Base Frame Electronics | 10 |
| Deck, Rails, & End Caps | 12 |
| Console-Rear Shrouds | 14 |
| Lower Base Wiring | 15 |
| Upper Base with Integrity Console Wiring | 17 |
| Discover Console Wiring Diagram | 19 |

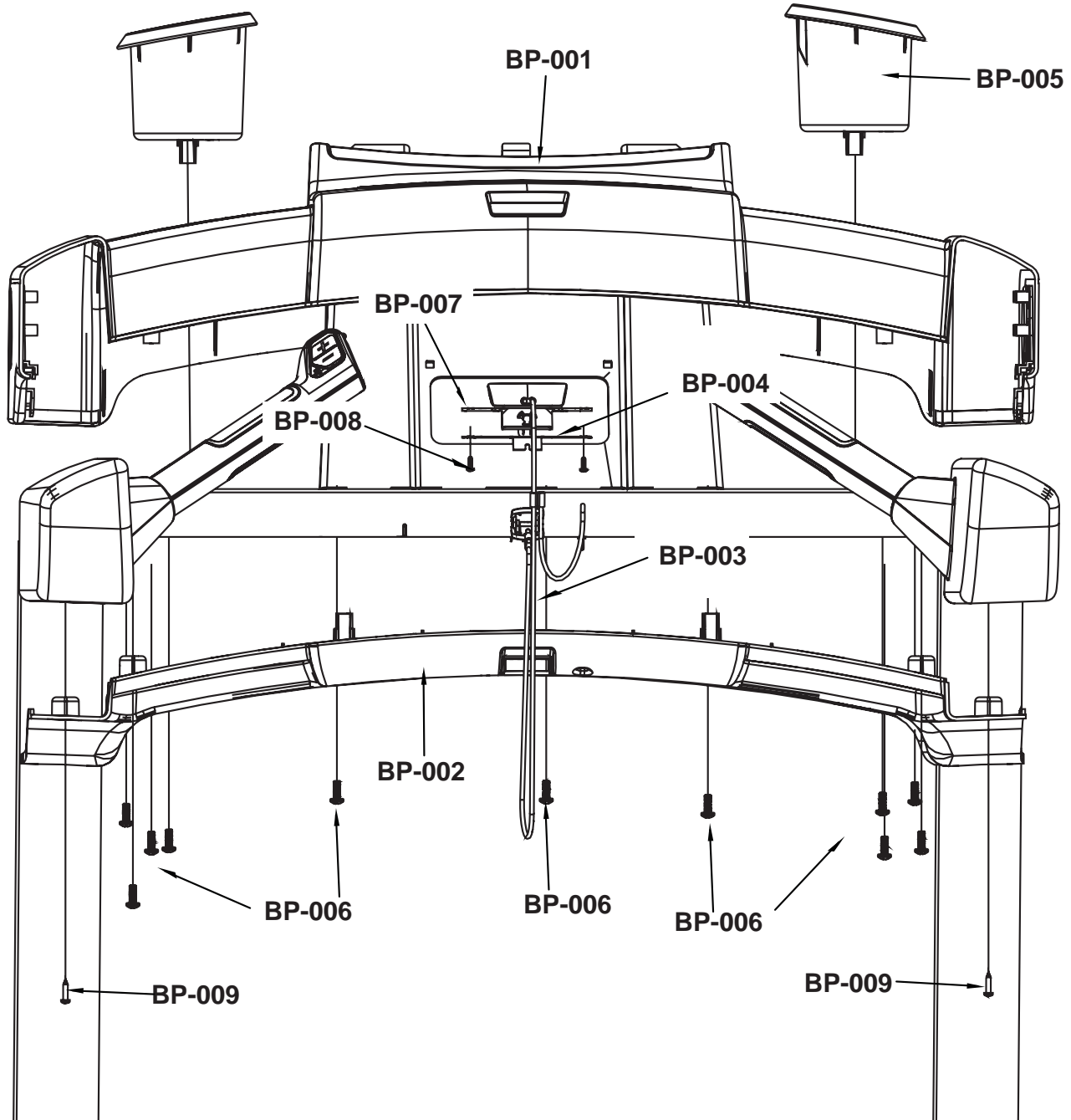
Bridge, Uprights & Grounding Braid Cables



Parts List

| Item | Alpha Code | Part Number | Description (Quantity) |
|--------|--------------------|-----------------|---|
| BU-001 | HHK, CHZ | 1004663-5100 | WELDMENT: UPRIGHT, LEFT, SIMPLE, ARCTIC SILVER |
| | | 1001756-5100 | WELDMENT: UPRIGHT, LEFT, ARCTIC SILVER, ROBUST |
| | | 1001756-7200 | WELDMENT: UPRIGHT, LEFT, TITANIUM, ROBUST |
| | PHK, PHJ | 1001756-5800 | WELDMENT: UPRIGHT, LEFT, PURPLE, ROBUST |
| BU-002 | HHK, CHZ | 1004664-5100 | WELDMENT: UPRIGHT, RIGHT, SIMPLE, ARCTIC SILVER |
| | | 1001752-5100 | WELDMENT: UPRIGHT, RIGHT, ARCTIC SILVER, ROBUST |
| | | 1001752-7200 | WELDMENT: UPRIGHT, RIGHT, TITANIUM, ROBUST |
| | PHK, PHJ | 1001752-5800 | WELDMENT: UPRIGHT, RIGHT, PURPLE, ROBUST |
| BU-003 | HHK, PHK, PHJ, CHZ | 1001825-0000 | WELDMENT: BRIDGE |
| BU-004 | HHK, PHK, PHJ, CHZ | 1005191-0001 | SCREW: M8 X 20 UNS HXW CS ST (16) |
| BU-005 | HHK, PHK, PHJ, CHZ | 1006261-0001 | CABLE: GROUNDING BRAID (4) |
| BU-006 | HHK, PHK, PHJ, CHZ | 0017-00101-1986 | SCREW: M5 X 0.8 6G6G X16 DIN PAN TT ST ZN (8) |
| BU-007 | HHK, PHK, PHJ, CHZ | 1004665-0000 | GRIP: LEFT, USER ARM, FOAM, SIMPLE |
| | | 1001829-0000 | GRIP: LEFT; USER ARM; FOAM |
| BU-008 | HHK, PHK, PHJ, CHZ | 1004666-0000 | GRIP: RIGHT, USER ARM, FOAM, SIMPLE |
| | | 1001830-0000 | GRIP: RIGHT; USER ARM; FOAM |
| BU-009 | HHK, CHZ | AK58-00245-2401 | "BUG" MEDALLION (2) |
| BU-010 | PHK, PHJ | 1007087-0001 | DECAL: JFZ TAGLINE, LARGE SIZE |

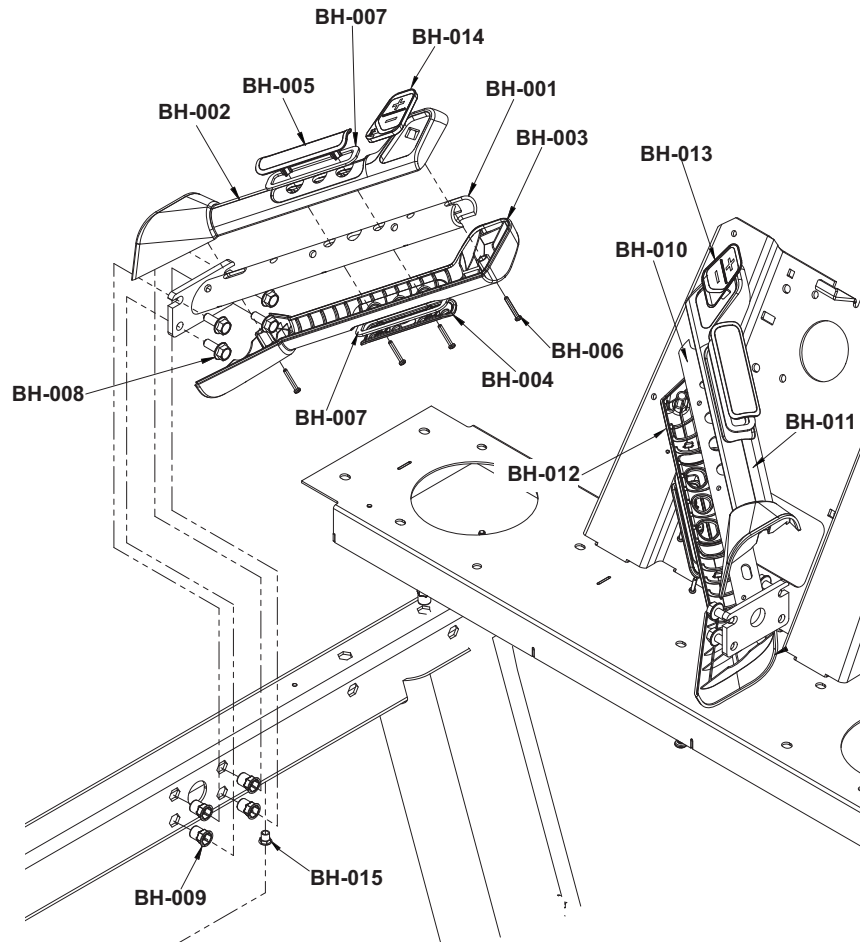
Bridge - Shrouds



Parts List

| Item | Alpha Code | Part Number | Description (Quantity) |
|--------|--------------------|-----------------|--|
| BP-001 | HHK, CHZ, PHK, PHJ | 1001793-2400 | SHROUD: MIDDLE, UPPER , CHARCOAL GRAY |
| BP-002 | HHK, CHZ, PHK, PHJ | 1001794-2400 | SHROUD: MIDDLE, BOTTOM , CHARCOAL GRAY |
| BP-003 | HHK, CHZ, PHK, PHJ | 1002224-0000 | TETHER ASSEMBLY |
| BP-004 | HHK, CHZ, PHK, PHJ | 1002228-0001 | TETHER PLATE |
| BP-005 | HHK, CHZ, PHK, PHJ | 1001740-2400 | CUP HOLDER (2) |
| BP-006 | HHK, CHZ, PHK, PHJ | 0017-00101-2138 | M6 X 16 PHILLIPS PAN HEAD SCREW (13) |
| BP-007 | HHK, CHZ, PHK, PHJ | 1005621-0001 | REED SWITCH MOUNTING BRACKET |
| BP-008 | HHK, CHZ, PHK, PHJ | 0017-00101-1650 | 6-19X6 PHILLIPS PAN HEAD SCREW (2) |
| BP-009 | HHK, CHZ, PHK, PHJ | 0017-00101-1796 | M4.2XX 19 DIN PHL PAN AB ST ZB B (2) |

Bullhorns

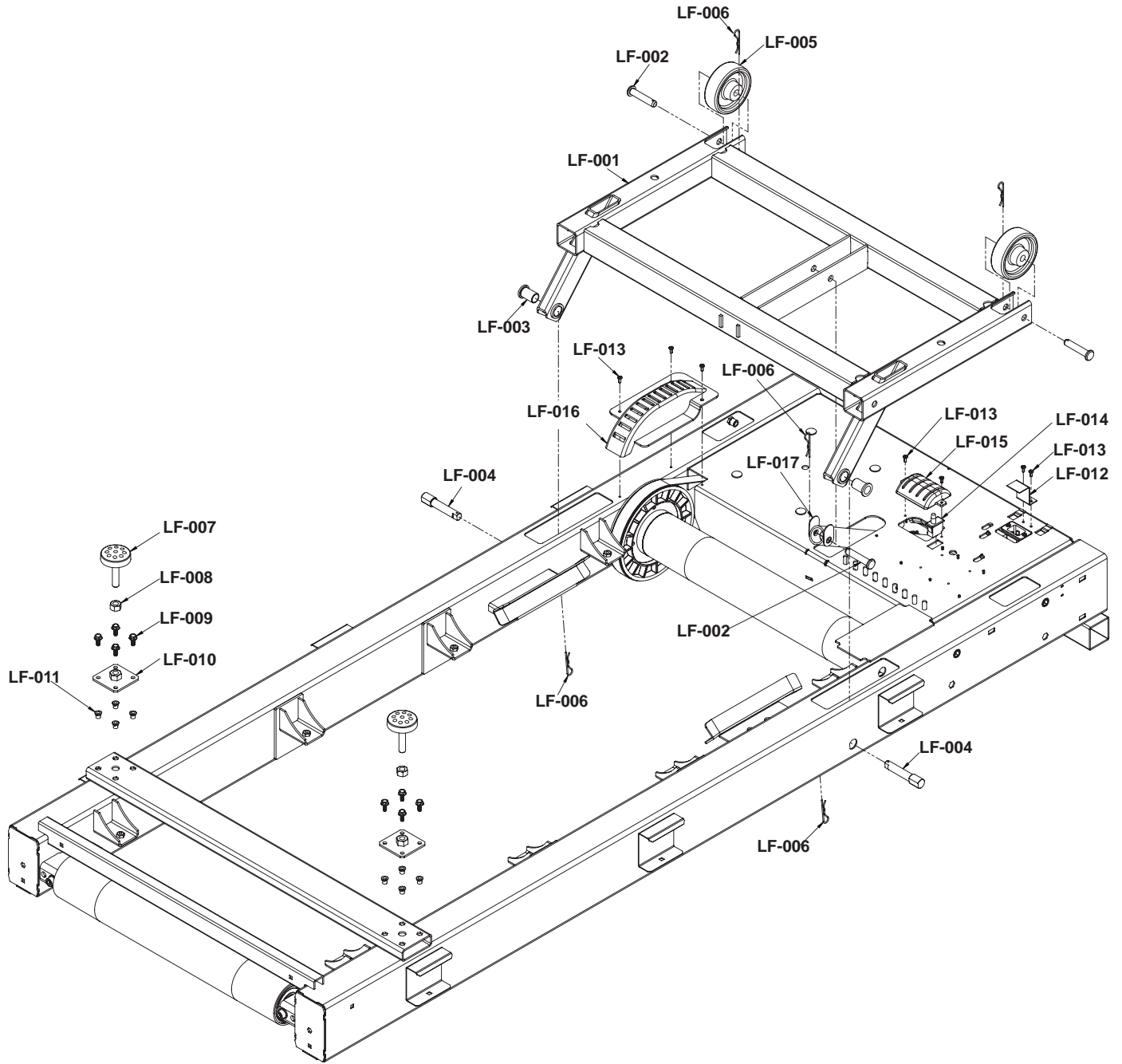


Parts List

| Item | Alpha Code | Part Number | Description (Quantity) |
|--------|--------------------|-----------------|---|
| BH-001 | HHK, CHZ, PHK, PHJ | 1001795-0001 | WELDMENT: BULLHORN, LEFT |
| BH-002 | HHK, CHZ, PHK, PHJ | 1001831-2400 | SHROUD: BULLHORN, TOP, LEFT CHARCOAL GRAY |
| | | 1004667-2400 | SHROUD: BULLHORN, TOP, LEFT, SIMPLE, CHARCOAL GRAY |
| BH-003 | HHK, CHZ, PHK, PHJ | 1001832-2400 | SHROUD: BULLHORN, BOTTOM, LEFT CHARCOAL GRAY |
| | | 1004668-2400 | SHROUD: BULLHORN, BOTTOM, LEFT, SIMPLE CHARCOAL GRAY |
| BH-004 | HHK, CHZ, PHK, PHJ | AK69-00140-2404 | ELECTRODE: INSERT-MOLDED ASSY; 4 INCH; BOTTOM; CHGR (2) |
| BH-005 | HHK, CHZ, PHK, PHJ | AK69-00139-2404 | ELECTRODE: INSERT-MOLDED ASSY; 4 INCH; TOP; CHGR (2) |
| BH-006 | HHK, CHZ, PHK, PHJ | 0017-00101-2054 | 6-19X16 PHL PAN HLS ST ZN PLASTITE SCREW (8) |
| BH-007 | HHK, CHZ, PHK, PHJ | 1005173-0001 | GASKET: CHR (4) |
| BH-008 | HHK, CHZ, PHK, PHJ | 1005191-0001 | SCREW: M8 X 20 UNS HWX CS ST (8) |
| BH-009 | HHK, CHZ, PHK, PHJ | 0017-00009-1191 | INSERT: METRIC; M8; HALF-HEX SHANK (8) |
| BH-010 | HHK, CHZ, PHK, PHJ | 1001798-0001 | WELDMENT: BULLHORN, RIGHT |
| BH-011 | HHK, CHZ, PHK, PHJ | 1001833-2400 | SHROUD: BULLHORN, TOP, RIGHT, CHARCOAL GRAY |
| | | 104669-2400 | SHROUD: BULLHORN, TOP, RIGHT, SIMPLE, CHARCOAL GRAY |
| BH-012 | HHK, CHZ, PHK, PHJ | 1001834-2400 | SHROUD: BULLHORN, BOTTOM, RIGHT, CHARCOAL GRAY |
| | | 1004670-2400 | SHROUD: BULLHORN, BOTTOM, RIGHT, SIMPLE, CHARCOAL GRAY |
| BH-013 | HHK, CHZ | 1003723-0001 | KEYPAD: SPEED UP, DOWN (FEATURED UNITS ONLY) |
| BH-014 | HHK, CHZ | 1003722-0001 | KEYPAD: INCLINE, UP, DOWN (FEATURED UNITS ONLY) |
| BH-015 | HHK, CHZ, PHK, PHJ | 0017-00009-1259 | INSERT: M6; THREADED (2) |

Lift Frame, Leg Levelers & Wheels (-01)

Parts listed on following page.

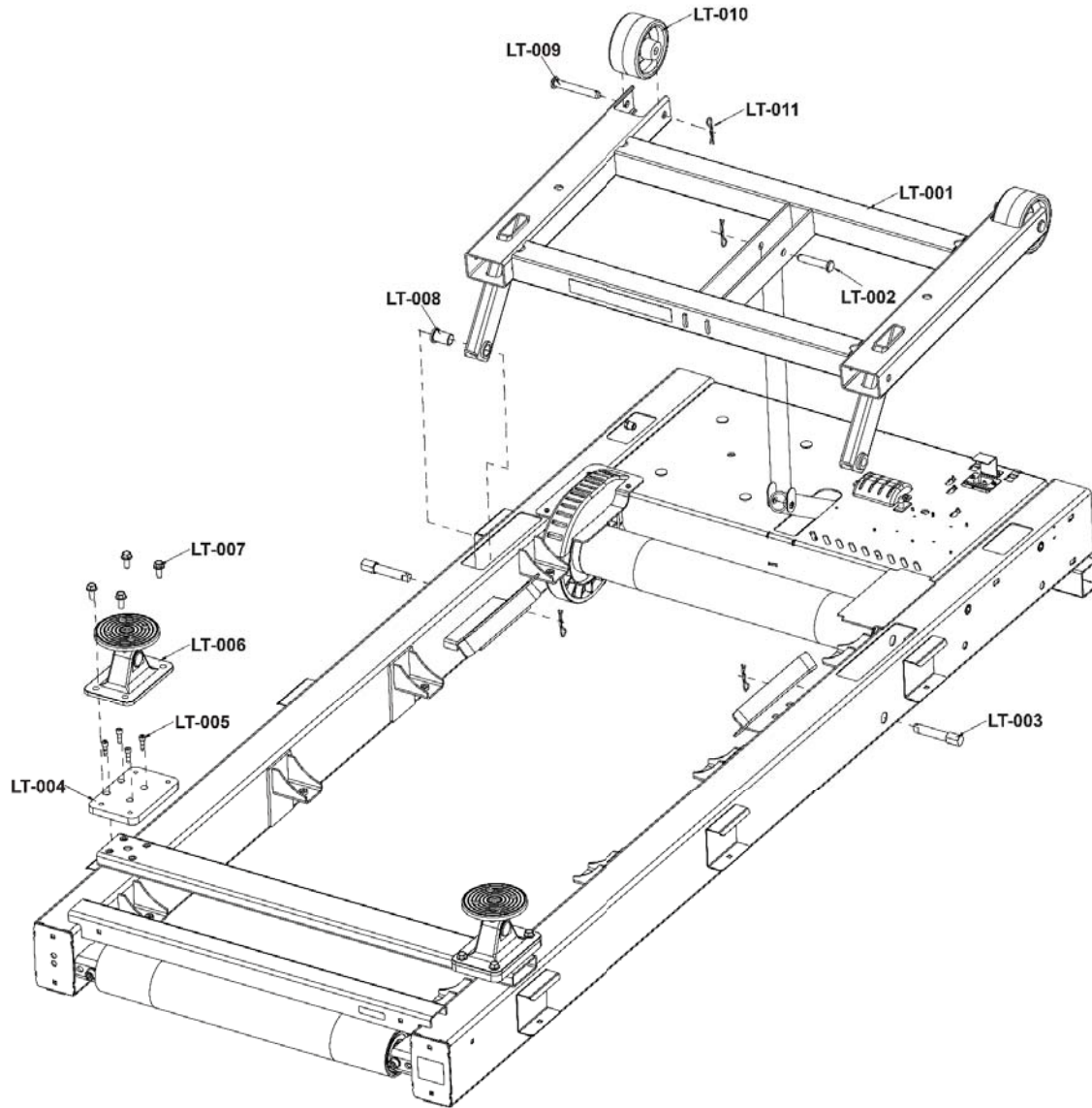


Lift Frame, Leg Levelers & Wheels (-01)

Parts List

| Item | Alpha Code | Part Number | Description (Quantity) |
|--------|--------------------|-----------------|--|
| LF-001 | HHT, CHT, PHT, PHS | 1000846-0000 | FRAME: LIFT |
| LF-002 | HHT, CHT, PHT, PHS | 1002162-0001 | PIN: M12 CLEVIS (3) |
| LF-003 | HHT, CHT, PHT, PHS | 1001396-0001 | BEARING: FLG SLV (2) |
| LF-004 | HHT, CHT, PHT, PHS | 1000840-0000 | SHAFT: LIFT FRAME PIVOT (2) |
| LF-005 | HHT, CHT, PHT, PHS | 1001387-0001 | WHEEL: LIFT FRAME (2) |
| LF-006 | HHT, CHT, PHT, PHS | 1004469-0001 | PIN: COTTER (5) |
| LF-007 | HHT, CHT, PHT, PHS | 1001956-0001 | LEVELER: BASE FRAME (2) |
| LF-008 | HHT, CHT, PHT, PHS | 1003534-0001 | NUT: M12-1.75 (2) |
| LF-009 | HHT, CHT, PHT, PHS | 1005249-0001 | SCREW: M6X1X16 DIN UNS HXW SERRATED CS ST ZB (8) |
| LF-010 | HHT, CHT, PHT, PHS | 1002793-0001 | PLATE: LEVELER MTG.(2) |
| LF-011 | HHT, CHT, PHT, PHS | 0017-00009-1259 | INSERT: M6; THREADED (8) |
| LF-012 | HHT, CHT, PHT, PHS | 1004354-0001 | BRACKET: CABLE SUPPORT |
| LF-013 | HHT, CHT, PHT, PHS | 0017-00101-1968 | M4 X 10 DIN PHL PAN TT ST ZN (7) |
| LF-014 | HHT, CHT, PHT, PHS | 0017-00032-0195 | SWITCH: MOMENTARY ACTION |
| LF-015 | HHT, CHT, PHT, PHS | 1003252-0001 | COVER: ACTUATOR, BOTTOM |
| LF-016 | HHT, CHT, PHT, PHS | 1002721-0001 | COVER: PULLEY, ROLLER |
| LF-017 | HHT, CHT, PHT, PHS | 1001392-0001 | WASHER: EZ GRIP (2) |

Lift Frame, Leg Levelers & Wheels (-02)

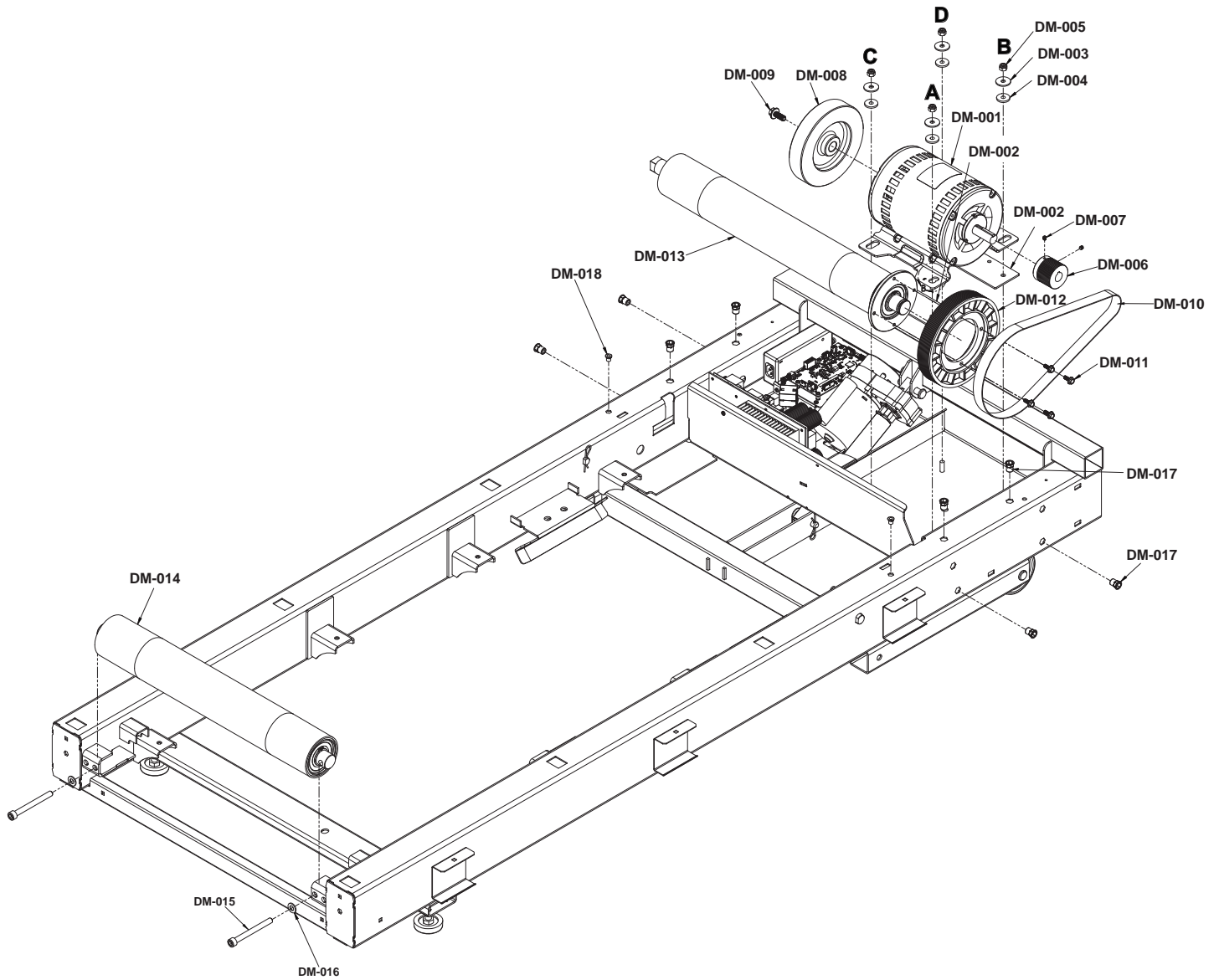


Parts List

| Item | Alpha Code | Part Number | Description (Quantity) |
|--------|------------|-----------------|--|
| LT-001 | PHT | 1008251-0001 | FRAME; LIFT, PLANET |
| LT-002 | PHT | 1002162-0001 | PIN: M12 CLEVIS |
| LT-003 | PHT | 1000840-0000 | SHAFT: LIFT FRAME PIVOT (2) |
| LT-004 | PHT | 1008191-0001 | ADAPTER: LEG LEVELER (2) |
| LT-005 | PHT | 0017-00101-1902 | SCREW: M6 X 1.0 6G6G X 20 DIN HEX SOC L CS ST ZB (8) |
| LT-006 | PHT | AK58-00370-0000 | ASSY: LEVELER (2) |
| LT-007 | PHT | 1005191-0001 | SCREW: M8 X 1.25 X 6G6H X 20 UNS HXW CS ST (8) |
| LT-008 | PHT | 1001396-0001 | BEARING: FLG SLV (2) |
| LT-009 | PHT | 1008284-0001 | PIN: M12, CLEVIS (2) |
| LT-010 | PHT | 1008183-0001 | WHEEL: LIFT (2) |
| LT-011 | PHT | 1004469-0001 | PIN: COTTER (5) |

Drive Motor, Pulley & Rollers

Parts listed on following page.



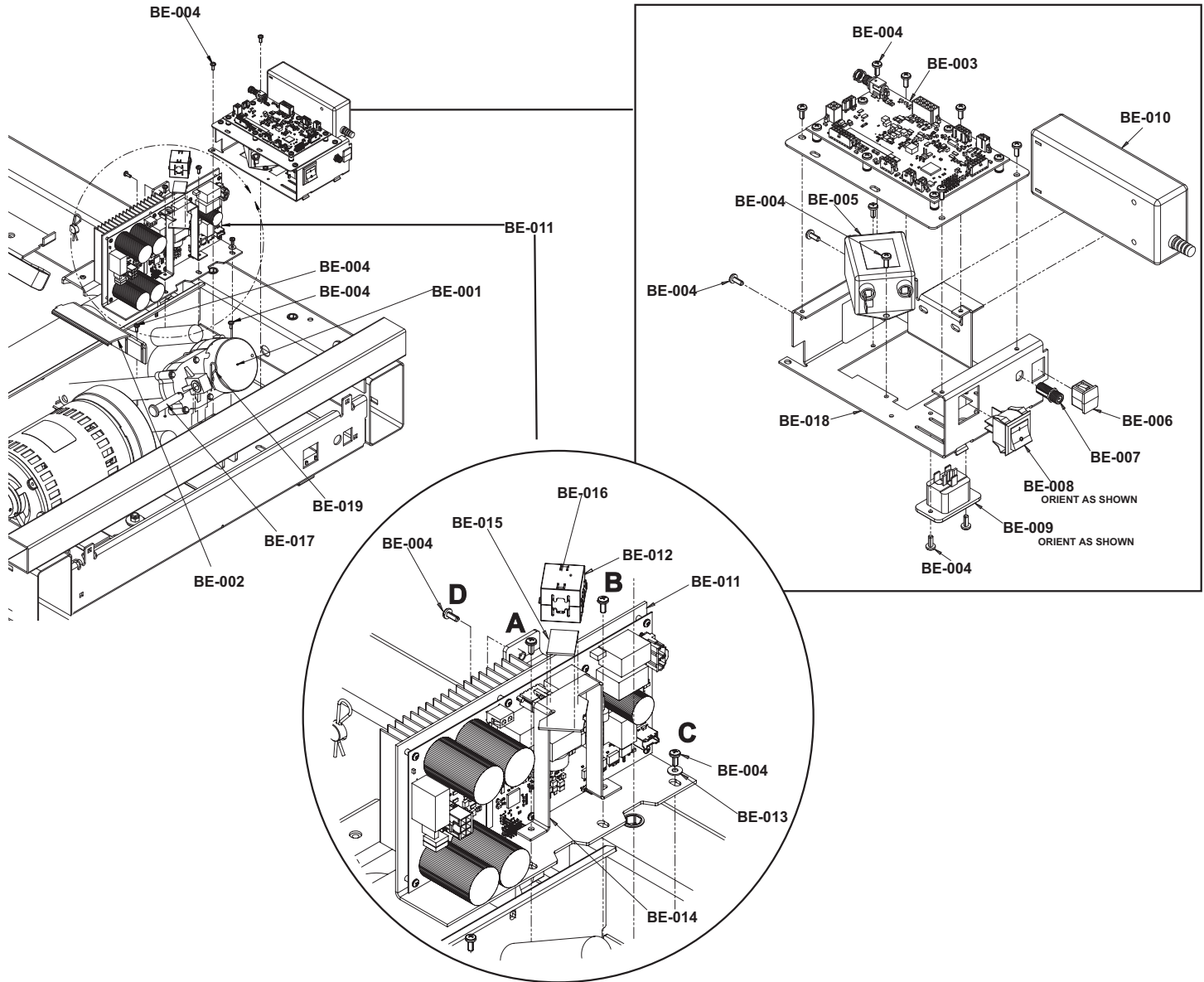
Drive Motor, Pulley & Rollers

Parts List

| Item | Alpha Code | Part Number | Description (Quantity) |
|--------|--------------------|-----------------|---|
| DM-001 | HHT, CHT, PHT, PHS | 1002167-0000 | MOTOR: AC; 4HP; INDUCTION |
| DM-002 | HHT, CHT, PHT, PHS | 0K58-01256-0001 | PAD: INSULATING (2) |
| DM-003 | HHT, CHT, PHT, PHS | 0017-00104-0409 | WASHER 327-1125-090 FL-D ST BZ B (4) |
| DM-004 | HHT, CHT, PHT, PHS | 0K58-01255-0000 | WASHER: INSULATING (4) |
| DM-005 | HHT, CHT, PHT, PHS | 0017-00103-0333 | NUT M 8X1.25-6H6H DIN L LOCKNUT ST ZN B (4) |
| DM-006 | HHT, CHT, PHT, PHS | 1001483-0001 | PULLEY: DRIVE |
| DM-007 | HHT, CHT, PHT, PHS | 1004627-0001 | SCREW: M6-1.0 X 8 CONE POINT SET SCREW (2) |
| DM-008 | HHT, CHT, PHT, PHS | 0K65-01221-0000 | FLYWHEEL: CAST IRON; WITH INTEGRAL FAN |
| DM-009 | HHT, CHT, PHT, PHS | 1005547-0001 | M10 X 1.50 6G6H X 25 UNS FLG CS ST ZB W/PATCH |
| DM-010 | HHT, CHT, PHT, PHS | 1004417-0001 | BELT: DRIVE |
| DM-011 | HHT, CHT, PHT, PHS | 1005249-0001 | SCREW: M6X1X16 DIN UNS HXW SERRATED CS ST ZB (4) |
| DM-012 | HHT, CHT, PHT, PHS | 1002171-0001 | PULLEY: ROLLER |
| DM-013 | HHT, CHT, PHT, PHS | 1000841-0001 | ASSEMBLY: FRONT ROLLER, 3.5" |
| DM-014 | HHT, CHT, PHT, PHS | 1001382-0001 | ROLLER: REAR, 3.5" DIA |
| DM-015 | HHT, CHT, PHT, PHS | 1003849-0001 | SCREW: M10-1.5X100 SHCS (2) |
| DM-016 | HHT, CHT, PHT, PHS | 0017-00104-0470 | WASHER: M 10.50X 20.00X 2.00 DIN D FLAT ST ZB B (2) |
| DM-017 | HHT, CHT, PHT, PHS | 0017-00009-1191 | INSERT: METRIC; M8; HALF-HEX SHANK |
| DM-018 | HHT, CHT, PHT, PHS | 0017-00009-1259 | INSERT: M6; THREADED |

Base Frame Electronics

Parts listed on following page.



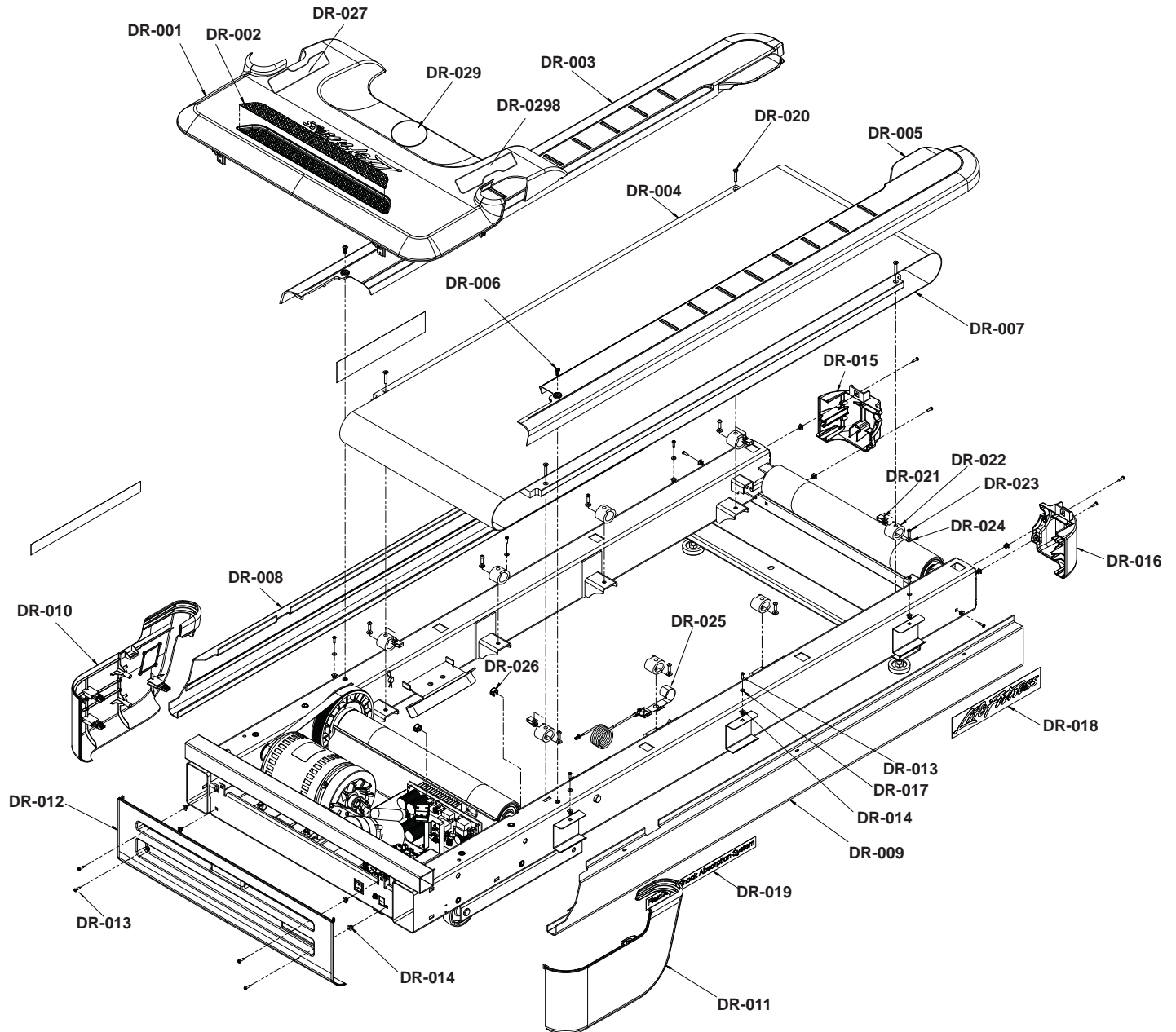
Base Frame Electronics

Parts List

| Item | Alpha Code | Part Number | Description (Quantity) |
|--------|--------------------|-----------------|---|
| BE-001 | HHT, CHT, PHT, PHS | 1001013-0001 | ACTUATOR: LINEAR, 115V |
| | | 1001013-0002 | ACTUATOR: LINEAR, 230V |
| | PHT | 1001013-0003 | ACTUATOR: LINEAR, 115V |
| BE-002 | HHT, CHT, PHT, PHS | 1003261-0001 | COVER: ACTUATOR TOP |
| BE-003 | HHT, CHT, PHT, PHS | 1004381-0001 | ASSEMBLY: SIB PCB ASSY |
| BE-004 | HHT, CHT, PHT, PHS | 0017-00101-1968 | M4 X 10 DIN PHL PAN TT ST ZN (20) |
| BE-005 | HHT, CHT, PHT, PHS | 0017-00003-1015 | FILTER: LINE; 20A |
| | HHT, CHT | 0017-00003-0898 | FILTER: LINE; 10-AMP |
| BE-006 | HHT, CHT | 1004601-0001 | PLUG: RJ45 RECEPTACLE |
| | PHT, PHS | 0017-00021-3195 | COUPLER: RJ-45, SHIELDED, 8 POS, CAT5E, PANEL MOUNT |
| BE-007 | HHT, CHT, PHT, PHS | 0017-00021-2846 | CONN FTYPE PNL F01S RD GP F |
| BE-008 | HHT, CHT, PHT, PHS | 0017-00032-0198 | SWITCH: ROCKER; 22A DPST |
| BE-009 | HHT, CHT, PHT, PHS | 0017-00003-0949 | RECEPTACLE: IEC; SIDE-FLANGE |
| BE-010 | HHT, CHT | 1001517-0001 | POWER SUPPLY, 12VDC, 3A |
| | PHT, PHS | 1004808-0001 | POWER SUPPLY, 100-240VAC TO 24VDC, 5A, 2.5MM PLUG |
| BE-011 | HHT, CHT, PHT, PHS | 1003844-0001 | PC BOARD ASSY: HERCULES MDB |
| BE-012 | HHT, CHT, PHT, PHS | 121E-00001-0010 | FERRITE - BEAD: SUPPRESSION |
| BE-013 | HHT, CHT, PHT, PHS | 1005472-0001 | WASHER: M4.4 X 11 X 1 ST ZN (3) |
| BE-014 | HHT, CHT, PHT, PHS | 1006254-0001 | BRACKET: FERRITE: SUPPRESSION |
| BE-015 | HHT, CHT, PHT, PHS | 0017-00081-0346 | TAPE: ADHESIVE; DOUBLE-SIDED |
| BE-016 | HHT, CHT, PHT, PHS | 0017-00042-0772 | CABLE TIE |
| BE-017 | HHT, CHT, PHT, PHS | 1002162-0001 | PIN: M12 CLEVIS (1) |
| BE-018 | HHT, CHT, PHT, PHS | 1003724-0001 | BRACKET: ELECTRICAL MTG. |
| BE-019 | HHT, CHT, PHT | 1004469-0001 | PIN: COTTER |

Deck, Rails & End Caps

Parts listed on following page.

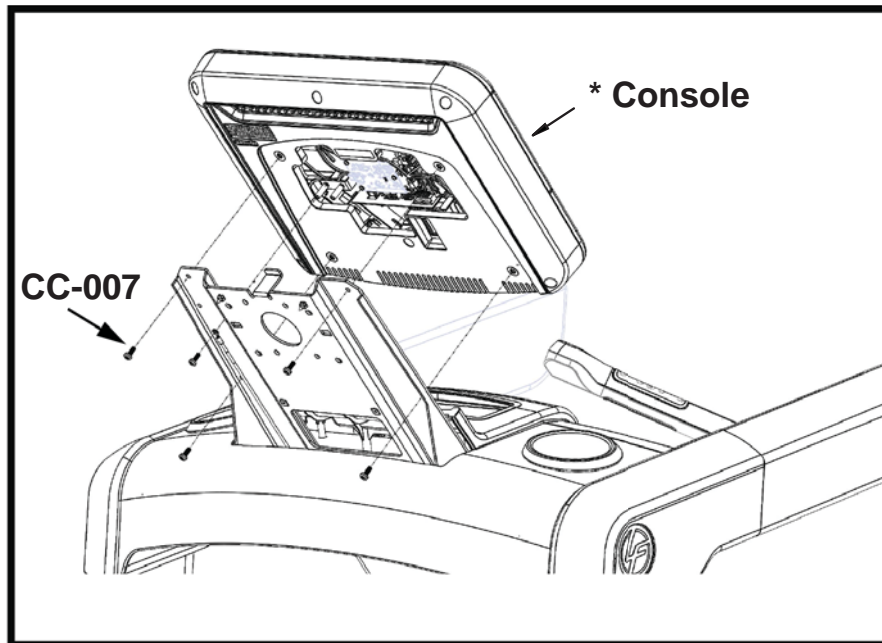
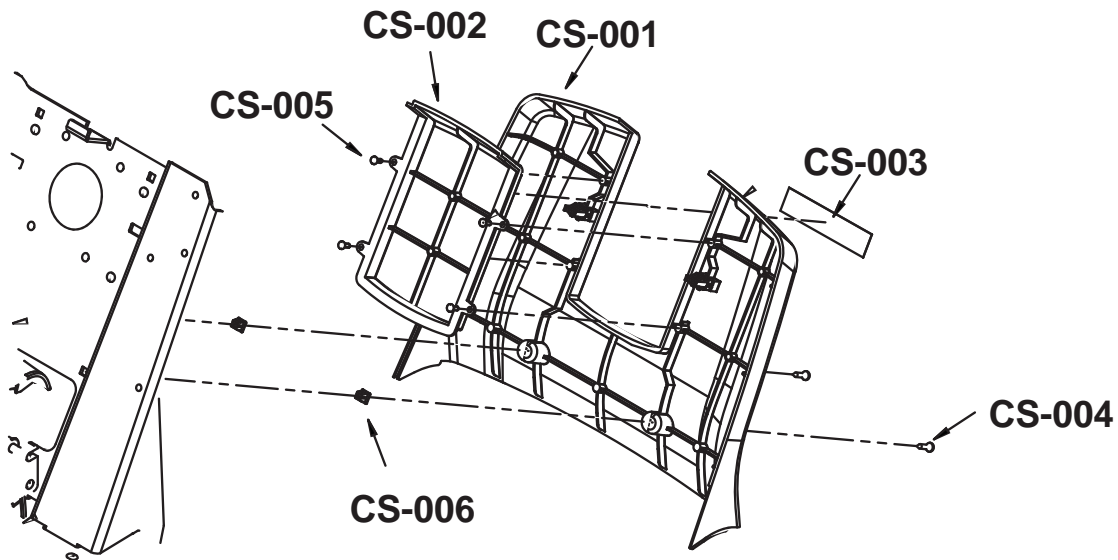


Deck, Rails & End Caps

Parts List

| Item | Alpha Code | Part Number | Description (Quantity) |
|--------|--------------------|-----------------|--|
| DR-001 | HHT, CHT, PHT, PHS | 1001805-2400 | SHROUD ASSY: MOTOR, TOP, CHARCOAL GRAY |
| DR-002 | HHT, CHT, PHT, PHS | 1004595-0001 | DECAL: SHROUD VENT |
| DR-003 | HHT, CHT, PHT, PHS | 1001924-2400 | RAIL: TOP UR, CHARCOAL GRAY |
| DR-004 | HHT, CHT, PHT, PHS | 1003817-0002 | DECK: WALKING SURFACE, WITH WAX |
| DR-005 | HHT, CHT, PHT, PHS | 1001923-2400 | RAIL: TOP UL, CHARCOAL GREY |
| DR-006 | HHT, CHT, PHT, PHS | 0017-00101-2138 | M6x1.0x16 DIN PHL PAN MS ST ZB (2) |
| DR-007 | HHT, CHT, PHT, PHS | 0K65-01002-0000 | BELT: WALKING 95T |
| DR-008 | HHK, CHZ | 1002274-0102 | RAIL: SIDE UR, ARCTIC SILVER |
| | | 1002274-2202 | RAIL: SIDE UR, TITANIUM |
| | | 1002272-2402 | RAIL: SIDE UR, SIMPLE |
| | PHK, PHS | 1002274-0802 | RAIL: SIDE UR, FEATURED |
| DR-009 | HHK, CHZ | 1002274-0101 | RAIL: SIDE UL, FEATURED, ARCTIC SILVER |
| | | 1002274-2201 | RAIL: SIDE UL, TITANIUM |
| | | 1002272-2401 | RAIL: SIDE UL, SIMPLE |
| | PHK, PHS | 1002274-0801 | RAIL: SIDE UL, FEATURED |
| DR-010 | HHT, CHT, PHT, PHS | 1001807-2400 | SHROUD ASSY: MOTOR, RIGHT, CHARCOAL GRAY |
| DR-011 | HHT, CHT, PHT, PHS | 1001808-2400 | SHROUD ASSY: MOTOR, LEFT, CHARCOAL GRAY |
| DR-012 | HHT, CHT, PHT, PHS | 1001806-2400 | PLASTIC: MOTOR, FRONT, CHARCOAL GRAY |
| DR-013 | HHT, CHT, PHK, PHJ | 0017-00101-1796 | M4.2X0.7-6g6g X 19 DIN PHL PAN AB ST ZB B (16) |
| DR-014 | HHT, CHT, PHK, PHJ | 0017-00042-1147 | GROMMET: NYLON; SCREW B (16) |
| DR-015 | HHK, CHZ | 1001928-0100 | ENDCAP: UR, FEATURED, ARCTIC SILVER |
| | | 1001928-2200 | ENDCAP: UR, FEATURED, TITANIUM |
| | | 1001927-2400 | ENDCAP: UR, SIMPLE, CHARCOAL GRAY |
| | PHK, PHJ | 1001928-0800 | ENDCAP: UR, FEATURED, PURPLE |
| DR-016 | HHK, CHZ | 1001928-0100 | ENDCAP: UL, FEATURED, ARCTIC SILVER |
| | | 1001926-2200 | ENDCAP: UL, FEATURED, TITANIUM |
| | | 1001925-2400 | ENDCAP: UL, SIMPLE, CHARCOAL GRAY |
| | PHK, PHJ | 1001926-0800 | ENDCAP: UL, FEATURED, PURPLE |
| DR-017 | HHT, CHT, PHT, PHS | 1005472-0001 | WASHER: M4.4 X 11 X 1 ST ZN (6) |
| DR-018 | HHT, CHZ, PHK, PHJ | 1005556-0001 | LABEL: LF LOGO, SILVER |
| | | 1005556-0002 | LABEL: LF LOGO, DK GRAY |
| DR-019 | HHT, CHZ, PHK, PHJ | 1005557-0001 | LABEL: FLEXDECK LOGO, SILVER |
| | | 1005557-0002 | LABEL: FLEXDECK LOGO, DK GRAY |
| DR-020 | HHT, CHT, PHT, PHS | 1000722-0001 | SCREW: FSHCS; M6 X 1.0 X 35 (4) |
| DR-021 | HHT, CHT, PHT, PHS | 1001124-0001 | NUT: U CLIP; M6 (4) |
| DR-022 | HHT, CHT, PHT, PHS | 0K40-01026-0002 | SPRING: TECSPAK, BLACK S/C-B (8) |
| DR-023 | HHT, CHT, PHT, PHS | 1005212-0001 | M6 x 1 x 20 HEX BUT CS ST ZB (8) |
| DR-024 | HHT, CHT, PHT, PHS | 0017-00104-0072 | WASHER: 255-.562-046 FL-D ST ZN B (8) |
| DR-025 | HHT, CHT, PHT, PHS | AK58-00560-0000 | STRIDE-SENSOR ASSY: PURCHASED |
| DR-026 | HHT, CHT, PHT, PHS | 0017-00042-0869 | BUSHING: HOLE (2) |
| DR-027 | PHT, PHS | 1006642-0001 | LABEL; PF, TREADMILL, PURPLE DECAL, RIGHT |
| DR-028 | PHT, PHS | 1006643-0001 | LABEL; PF, TREADMILL, PURPLE DECAL, LEFT |
| DR-029 | PHT, PHS | 1006644-0001 | LABEL; PF TREADMILL, LOGO, MOTOR COVER |

Console - Rear Shrouds



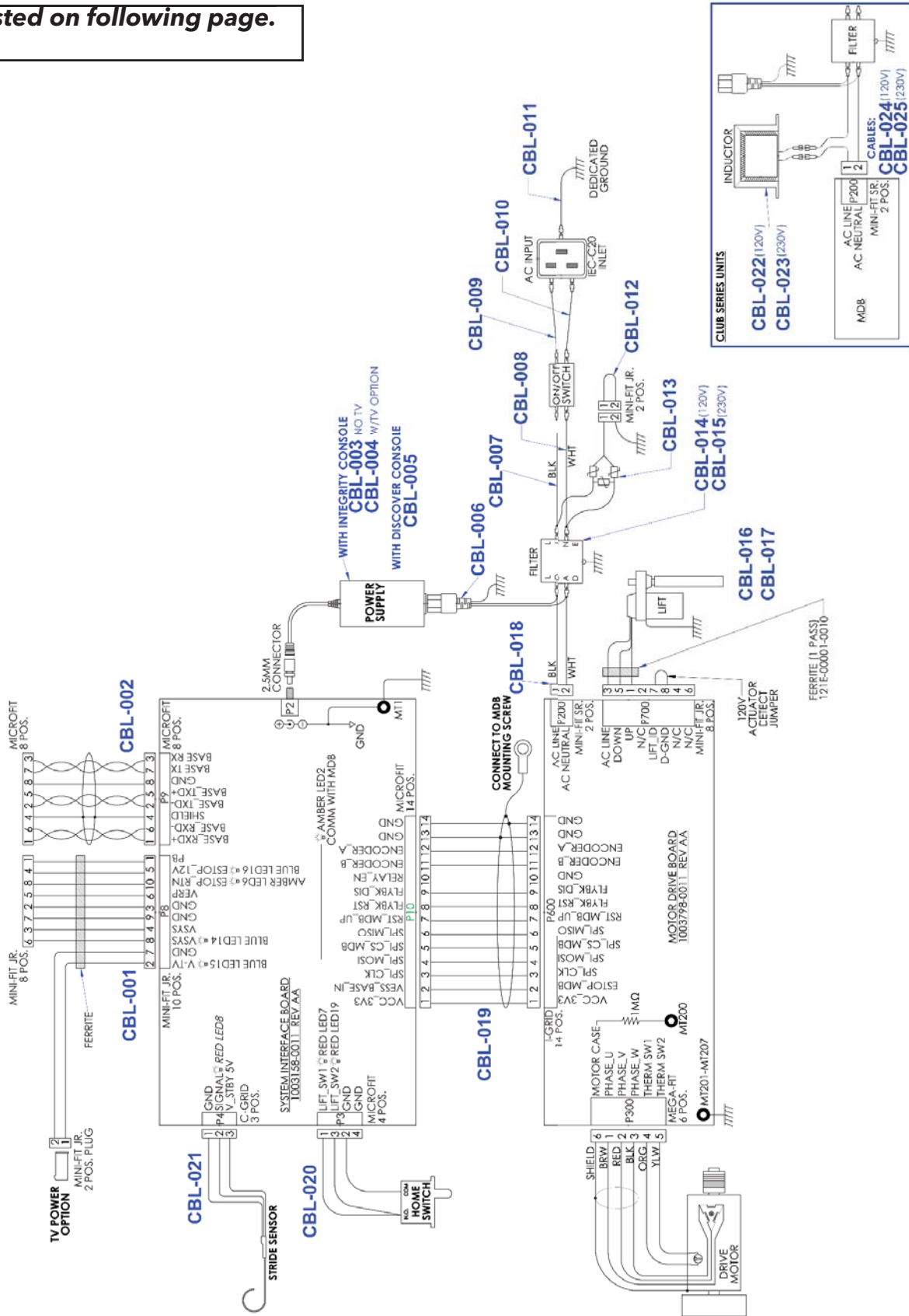
Parts List

| Item | Alpha Code | Part Number | Description (Quantity) |
|--------|--------------------|-----------------|---|
| CS-001 | HHK, CHZ, PHK, PHJ | 1001802-2400 | SHROUD: CONSOLE, BACK, CHARCOAL GRAY |
| CS-002 | HHK, CHZ, PHK, PHJ | 1001821-2400 | SHROUD: CONSOLE, BACK COVER |
| CS-003 | HHK, CHZ, PHK, PHJ | 0K69-01251-0000 | DECAL: LOGO CONSOLE |
| CS-004 | HHK, CHZ, PHK, PHJ | 0017-00101-1796 | M4.2 X 19 PHILLIPS PAN HEAD SCREWS (2) |
| CS-005 | HHK, CHZ, PHK, PHJ | 0017-00101-1650 | 6-19X 6 PHL PAN PLT ST BZ (4) |
| CS-006 | HHK, CHZ, PHK, PHJ | 0017-00042-1147 | GROMMET: NYLON; SCREW (2) |
| CS-007 | HHK, CHZ, PHK, PHJ | 0017-00101-1940 | M5.0X.8-6G6GX14MM DIN PHS PAN MS ST ZN (5) |
| CS-008 | HHK, CHZ, PHK, PHJ | 1004240-0001 | CABLE: CONSOLE GROUND (CABLE RUNS FROM CONSOLE TO MOTOR PAN) |

* See appropriate Console Parts Manual for console serial numbers/alpha codes.

Lower Base Wiring (1 of 2)

Parts listed on following page.



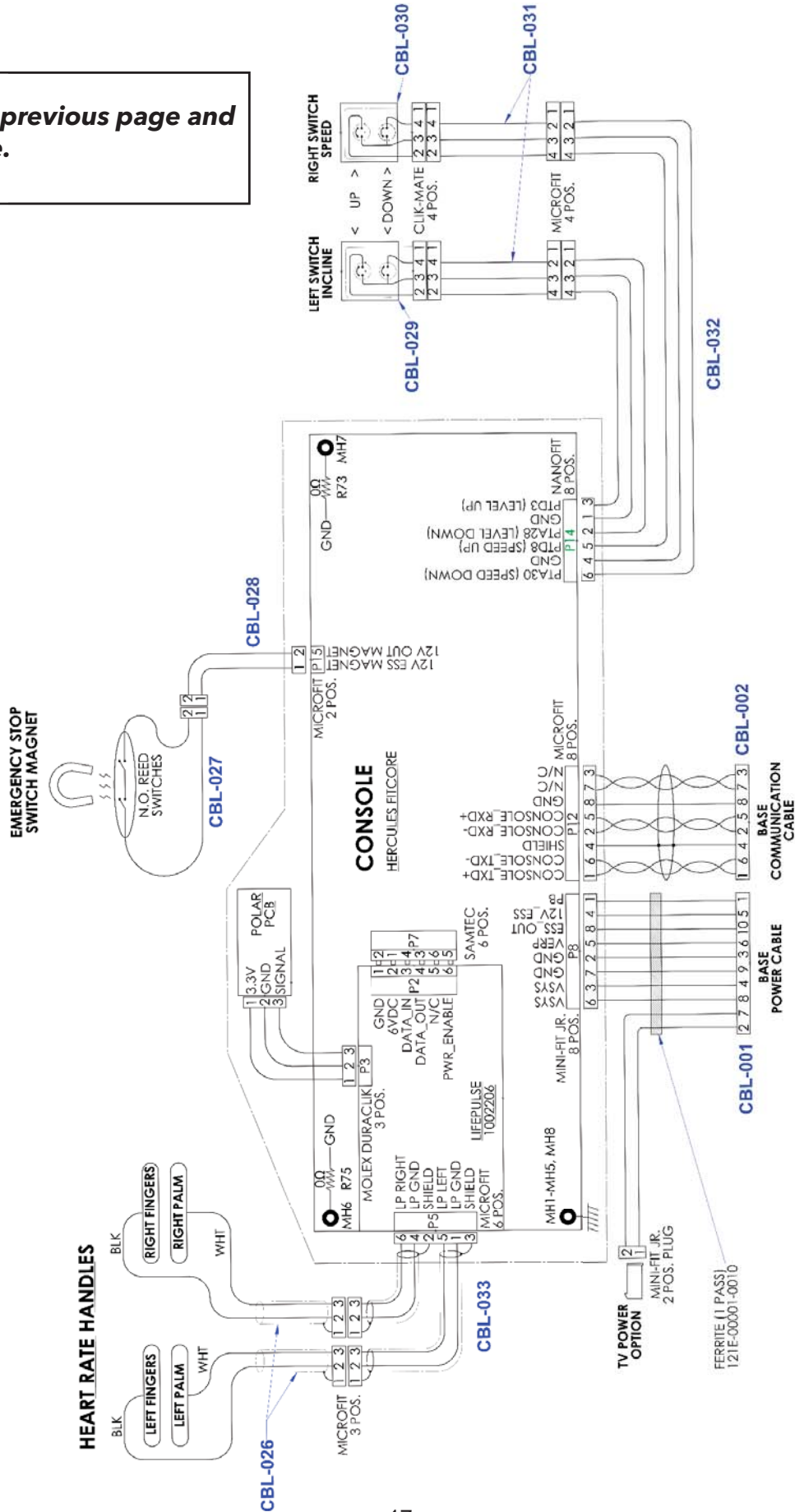
Lower Base Wiring (2 of 2)

Parts List

| Item | Alpha Code | Part Number | Description (Quantity) |
|---------|--------------------|-----------------|---|
| CBL-001 | HHT, CHT, PHK | 1002258-0004 | CABLE: CONSOLE TO BASE, POWER |
| CBL-002 | HHT, CHT, PHK | 1002239-0004 | CABLE: CONSOLE TO BASE, SIGNAL, TREAD |
| CBL-003 | CHT, HHT | 1001517-0001 | POWER SUPPLY, 12VDC, 3A |
| CBL-004 | - | 1001517-0002 | POWER SUPPLY: 12 VDC, 5A |
| CBL-005 | PHS | 1004808-0001 | POWER SUPPLY: 100-240VAC TO 24VDC, 5A, 2.5MM PLUG |
| CBL-006 | HHT, CHT, PHT, PHS | 1004563-0001 | CABLE: LINE FILTER TO POWER SUPPLY |
| CBL-007 | HHT, CHT, PHT, PHS | 1004044-0002 | CABLE: SWITCH TO FILTER, BLACK |
| CBL-008 | HHT, CHT, PHT, PHS | 1004044-0001 | CABLE: SWITCH TO FILTER, WHITE |
| CBL-009 | HHT, CHT, PHT, PHS | 1004046-0002 | CABLE: POWER INPUT, BLACK |
| CBL-010 | HHT, CHT, PHT, PHS | 1004046-0001 | CABLE: POWER INPUT, WHITE |
| CBL-011 | HHT, CHZ, PHT, PHS | 1004201-0001 | CABLE: GROUND |
| CBL-012 | HHT, CHT, PHT, PHS | AK58-00263-0000 | CBL-ASSY: HI-POT JUMPER |
| CBL-013 | HHT, CHT, PHT, PHS | AK58-00224-0001 | CBL-ASSY: MOV; FILTER |
| CBL-014 | HHT, CHT | 0017-00003-1015 | FILTER: LINE; 20A |
| CBL-015 | HHT, CHT | 0017-00003-0898 | FILTER: LINE; 10-AMP |
| CBL-016 | HHT, CHT | 1001013-0001 | ACTUATOR: LINEAR, 115V |
| CBL-017 | HHT, CHT | 1001013-0002 | ACTUATOR: LINEAR, 230V |
| CBL-018 | HHT, PHT, PHS | 1004045-0001 | CABLE: POWER INPUT |
| CBL-019 | HHT, CHT, PHT, PHS | 1004243-0001 | CABLE: SIB-MDB |
| CBL-020 | HHT, CHT, PHT, PHS | AK65-00074-0000 | CBL-ASSY: HOME SWITCH |
| CBL-021 | HHT, CHT, PHT, PHS | AK58-00560-0000 | STRIDE-SENSOR ASSY |
| CBL-022 | CHT | 111E-00001-0041 | INDUCTOR: 3MH; 120V |
| CBL-023 | CHT | 111E-00001-0042 | INDUCTOR: 15MH; 230V |
| CBL-024 | CHT | 1006003-0001 | CABLE ASSY: POWER, 120V, PCST |
| CBL-025 | CHT | 1006002-0001 | CABLE ASSY: POWER, 230V, PCST |

Upper Base with Integrity Console Wiring (1 of 2)

Parts Listed on previous page and following page.



Upper Base with Integrity Console Wiring (2 of 2)

Parts List

| Item | Alpha Code | Part Number | Description (Quantity) |
|---------|--------------------|-----------------|---|
| CBL-026 | HHK, CHZ, PHK, PHJ | 1003871-0001 | CABLE: LIFEPULSE ELECTRODES, TREAD |
| CBL-027 | HHK, PHK, CHZ | AK58-00036-0000 | CBL-ASSY: EMERGENCY-STOP |
| CBL-028 | HHK | 1004230-0001 | CABLE: E-STOP |
| CBL-029 | HHK, CHZ | 1003722-0001 | KEYPAD: INCLINE, UP, DOWN |
| CBL-030 | HHK, CHZ | 1003723-0001 | KEYPAD: SPEED, UP, DOWN |
| CBL-031 | HHK, CHZ | 1003835-0001 | CABLE: HERCULES KEYPAD EXTENSION |
| CBL-032 | HHK, CHZ | 1003823-0001 | CABLE: HERCULES CONSOLE TO BASE KEYPADS |
| CBL-033 | HHK, CHZ, PHK, PHJ | 1003838-0001 | CABLE: LIFEPULSE TO ELECTRODE, TREAD |

Discover Console Wiring Diagram

Parts List

| Item | Alpha Code | Part Number | Description (Quantity) |
|---------|------------|-----------------|---------------------------------------|
| CBL-001 | - | AK65-00103-0002 | CBL ASSY: GROUND, ESD |
| CBL-002 | HHK, CHZ | 1003722-0001 | KEYPAD: INCLINE, UP, DOWN |
| CBL-003 | HHK, CHZ | 1003723-0001 | KEYPAD: SPEED, UP, DOWN |
| CBL-004 | HHK, CHZ | 1003835-0001 | CABLE: HERCULES KEYPAD EXTENSION |
| CBL-005 | PHJ | 1003838-0001 | CABLE: LIFE PULSE TO ELECTRODE, TREAD |
| CBL-006 | PHJ | 1003871-0001 | CABLE: LIFE PULSE ELECTRODES, TREAD |
| CBL-007 | HHK, CHZ | AK58-00036-0000 | CBL-ASSY: EMERGENCY-STOP |
| CBL-008 | PHJ | 1006221-0001 | CABLE: DISCOVER TO HERCULES ADAPTOR |