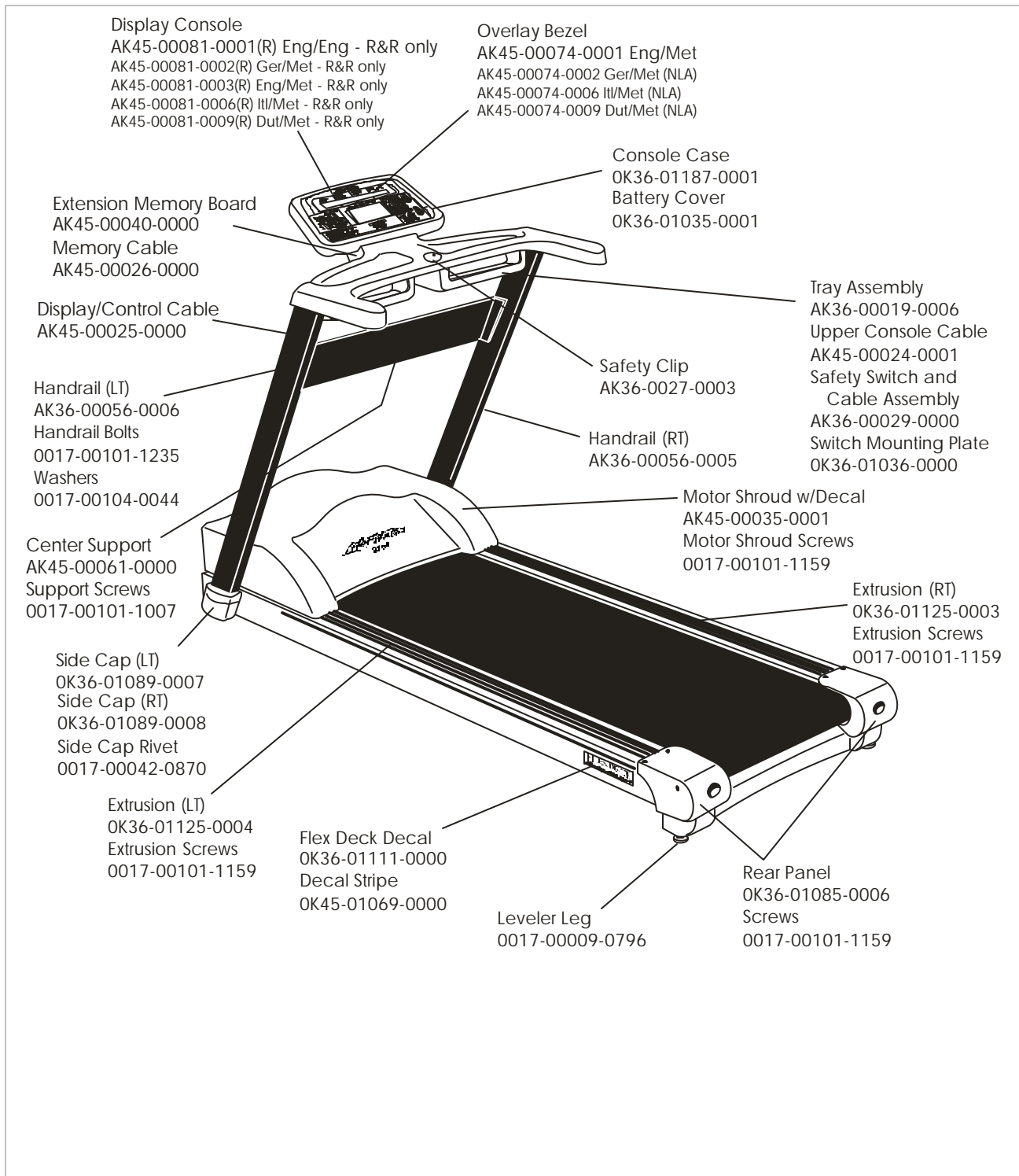


TR-8500  
TREADMILL

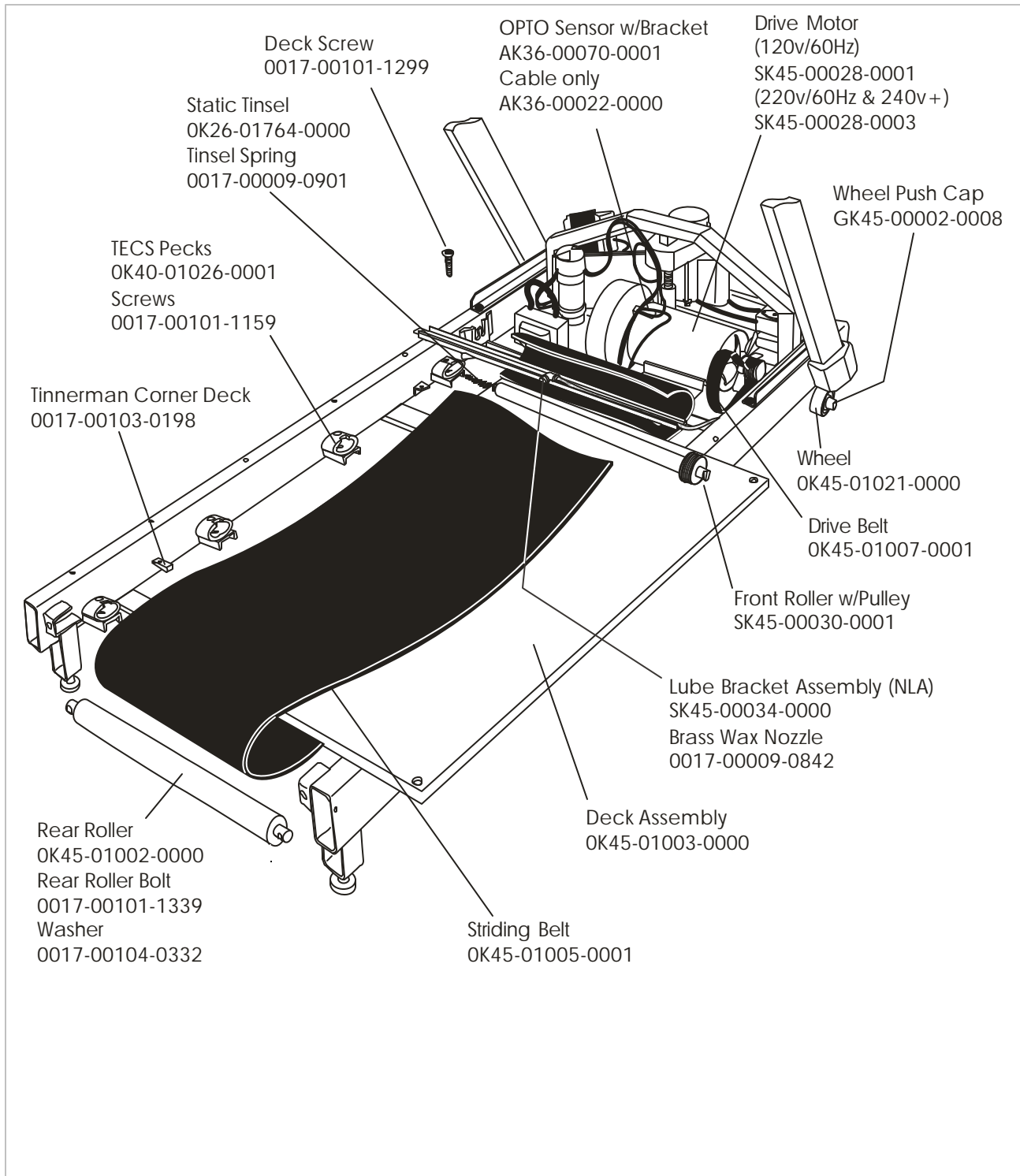
**END OF LIFE**

GK45-00012-XXXX  
SN: 357700 & up



TR-8500  
TREADMILL

GK45-00012-XXXX  
SN: 357700 & up



TR-8500  
TREADMILL

GK45-00012-XXXX  
SN: 357700 & up

