

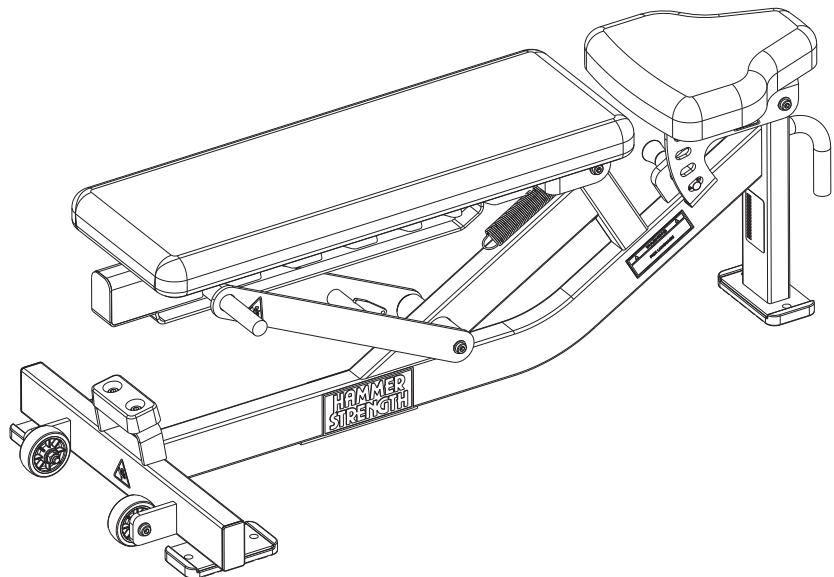
HAMMER
STRENGTH

**HAMMER
STRENGTH®**

BUILDING CHAMPIONS

ATHLETIC SERIES ASMAB MULTI-ANGLE BENCH

PARTS LIST
ASMAB



4/20/2011

ATHLETIC SERIES MULTI-ANGLE BENCH CONTENTS

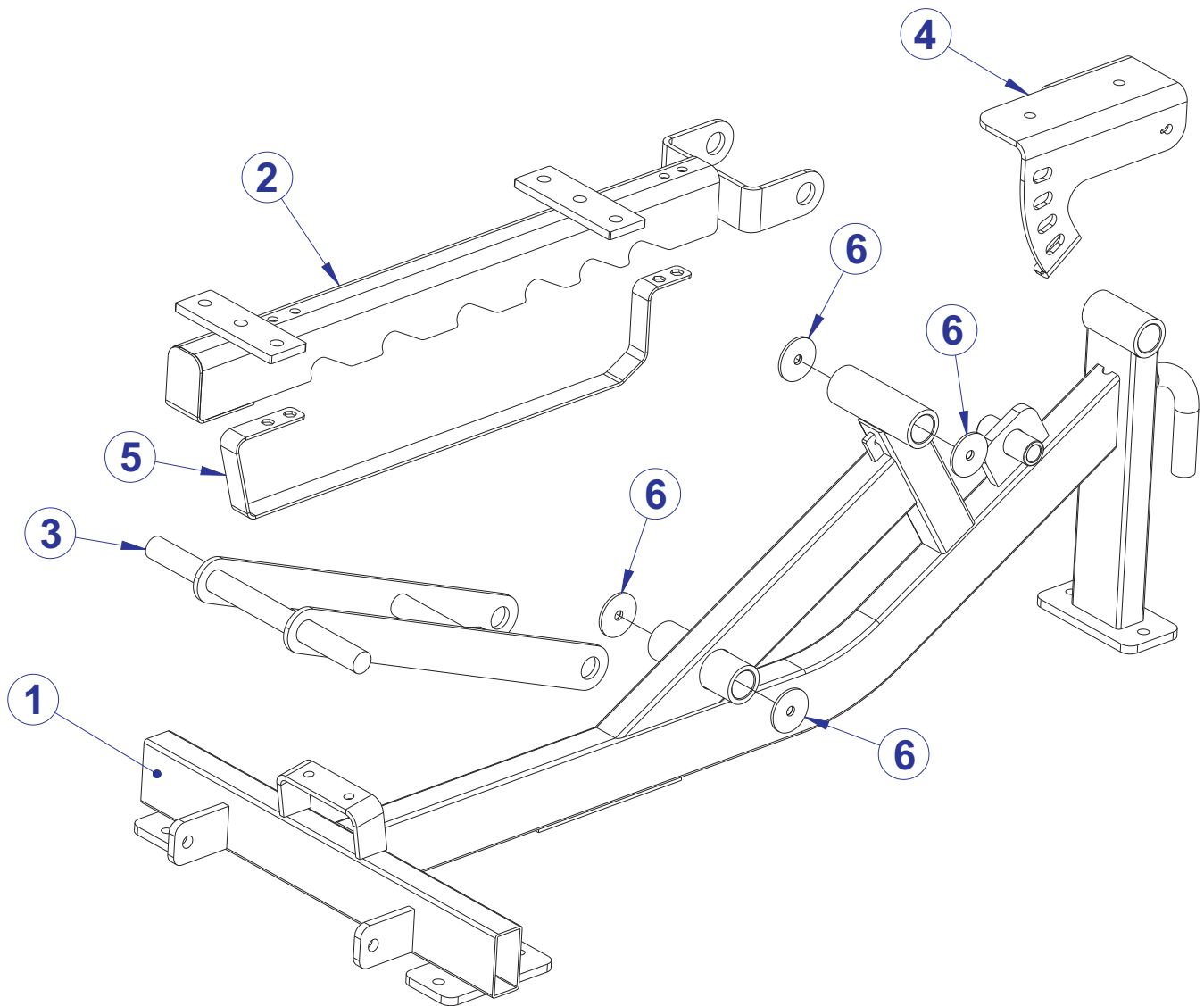
PAINTED FRAME COMPONENTS..... 3

COMPONENT ASSEMBLY..... 4

COMPONENT ASSEMBLY LEGEND..... 5

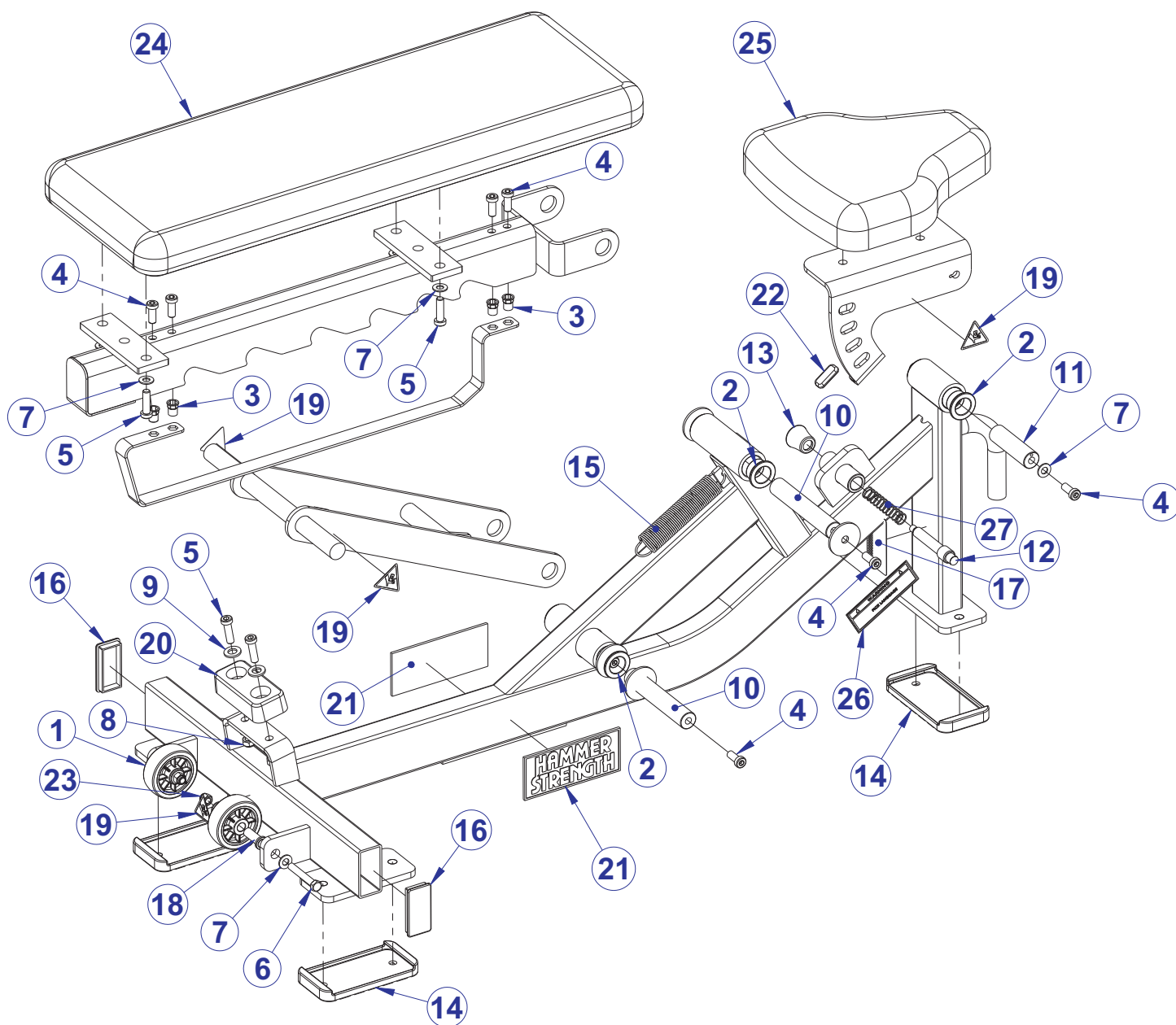
IMAGE..... 6

ATHLETIC SERIES MULTI-ANGLE BENCH PAINTED FRAME COMPONENTS



ITEM NO.	QTY.	PART NO.	DESCRIPTION	FRAME COLOR
1	1	8908600	WLDMT, ASBAB MAIN FRAME	ANY
2	1	8908700	WLDMT, ASBAB, BACK PAD SUPPORT	ANY
3	1	8908800	WLDMT, ASBAB CENTER SUPPORT	ANY
4	1	8963101	BRKT, SEAT PAD MOUNT	ANY
5	1	8963201	BRKT, ASBAB ADJUSTMENT GUARD	ANY
6	4	7322301	PLATE, 1.97 OD X .447 ID 10GA	ANY

ATHLETIC SERIES MULTI-ANGLE BENCH COMPONENT ASSEMBLY



SEE PAGE 5 FOR LEGEND

ATHLETIC SERIES MULTI-ANGLE BENCH COMPONENT ASSEMBLY LEGEND

ITEM NO.	QTY.	PART NO.	DESCRIPTION
1	2	0K59-01164-0000	WHEEL, 3.0 OD X .50 ID OVERMOLD
2	6	3104903	1.00" ID 1.25" OD BRONZ BUSHING
3	4	3238601	M10X1.5 BLIND THREADED INSERT (HEX)
4	10	3236202	SCREW, M10 X1.5 25MM
5	8	3236204	SCREW, M10 X1.5 35MM
6	2	3223307	3/8-16 X 2.50 HEX HEAD BOLT
7	14	3236601	WASHER, 3/8 SAE SS
8	2	3236801	NUT, M10 HEX NYLOCK SS
9	2	3241401	WASHER, FLAT 12MM SS
10	2	8975301	SHAFT, ASMAB, TAPPED 1" DIA
11	1	7324904	SHAFT, TAPPED 1 DIA X 3.580
12	1	7351301	PIN, PULL X 4.375
13	1	7351401	KNOB, TULIP STYLE
14	3	7388201	FOOTPAD, PS RUBBER
15	1	8972001	SPRING, ASMAB, BACK PAD SUPPORT
16	2	7477401	CAP. END, 1-1/2 X 3, 11GA SGRY
17	1	7571301	LABEL, SERIAL NUMBER, BLANK
18	2	7961401	AXLE, FW, WHEEL
19	4	8039501	LABEL, WARNING, TRIANGLE
20	1	8832301	SMALL BUMPER (VEN# MM3)
21	2	M051-00289-A000	HAMMER STRENGTH BADGE
22	1	7570801	GUARD, PAINT 1.25"x.75"x.25"
23	2	3102802	NUT, NYLOCK 3/8-16
24	1	73540XX	PAD, BACK 32-1/2 X 11-1/4
25	1	73519XX	PAD, SADDLE
26	1	8219801	LABEL, ASTM, FW HORZ-ENGLISH
		8219802	LABEL, ASTM, FW HORZ-GERMAN
		8219803	LABEL, ASTM, FW HORZ-FRENCH
		8219804	LABEL, ASTM, FW HORZ-SPANISH
		8219805	LABEL, ASTM, FW HORZ-ITALIAN
		8219806	LABEL, ASTM, FW HORZ-DUTCH
		8219807	LABEL, ASTM, FW HORZ-JAPANESE
		8219808	LABEL, ASTM, FW HORZ-PORTUGUESE
8219810	LABEL, ASTM, FW HORZ-RUSSIAN		
27	1	7351501	SPRING; PULL PIN LARGE

ATHLETIC SERIES MULTI-ANGLE BENCH IMAGE

